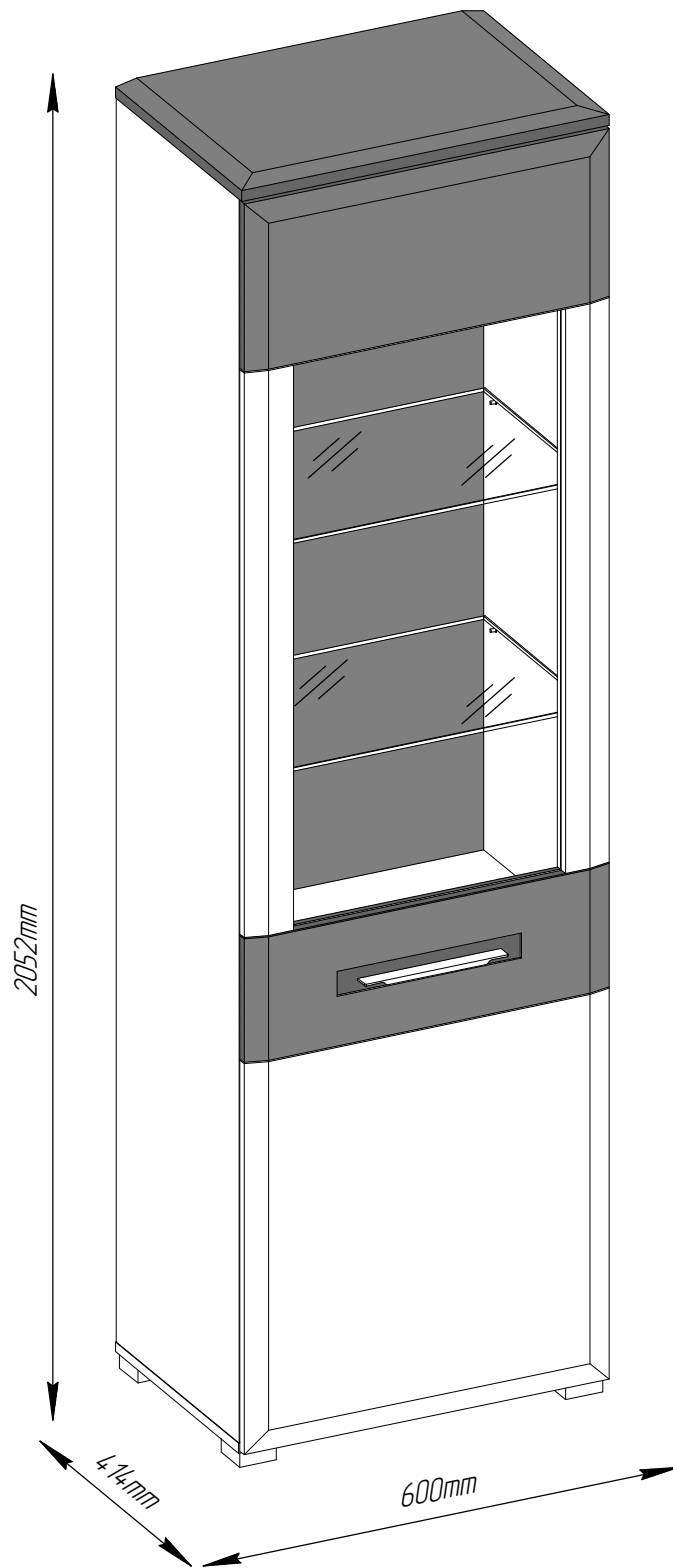
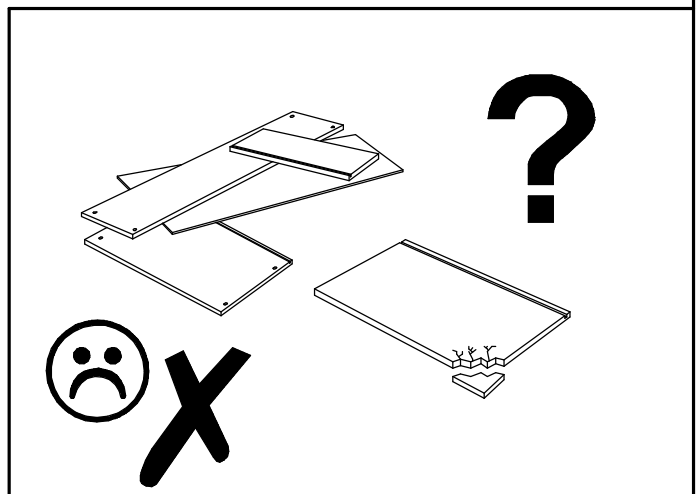
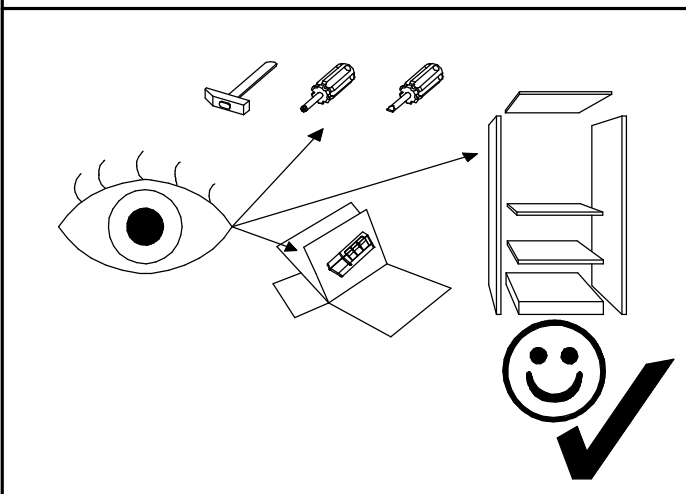
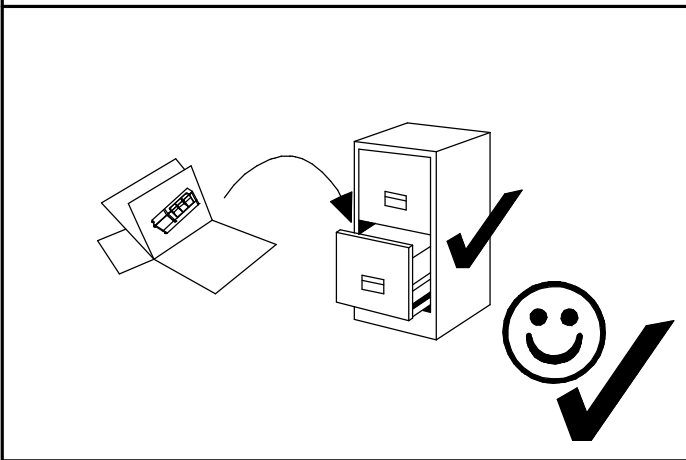
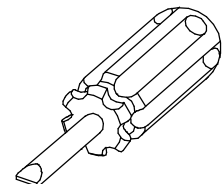
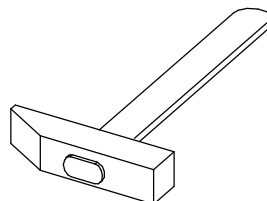
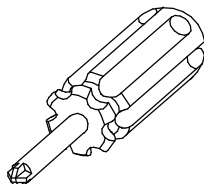
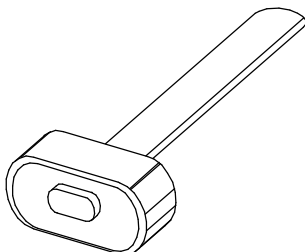
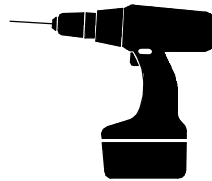
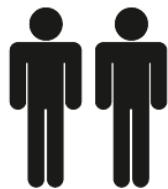
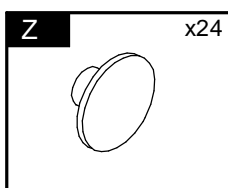
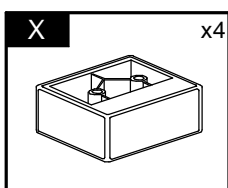
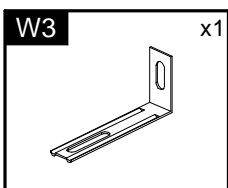
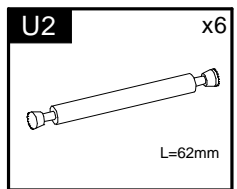
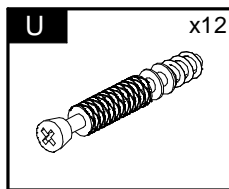
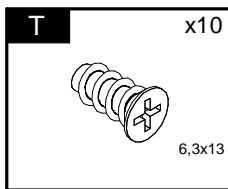
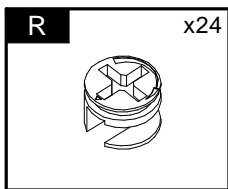
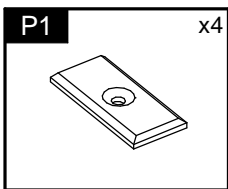
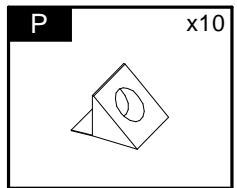
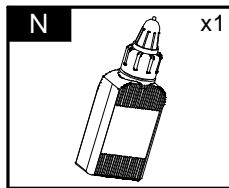
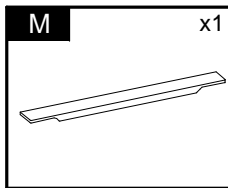
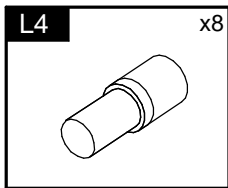
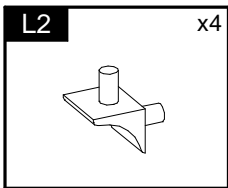
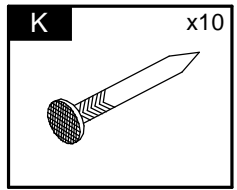
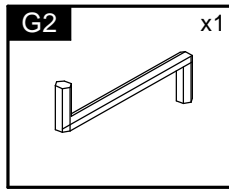
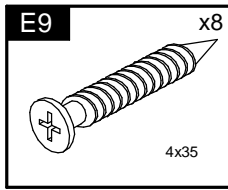
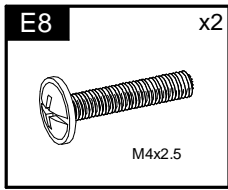
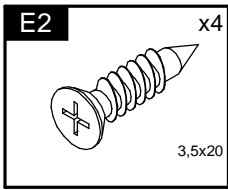
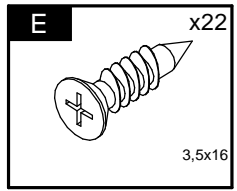
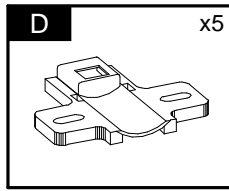
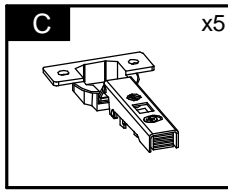
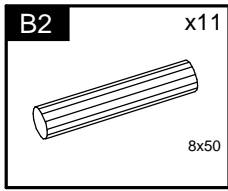
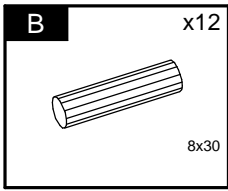
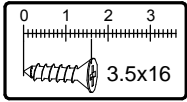


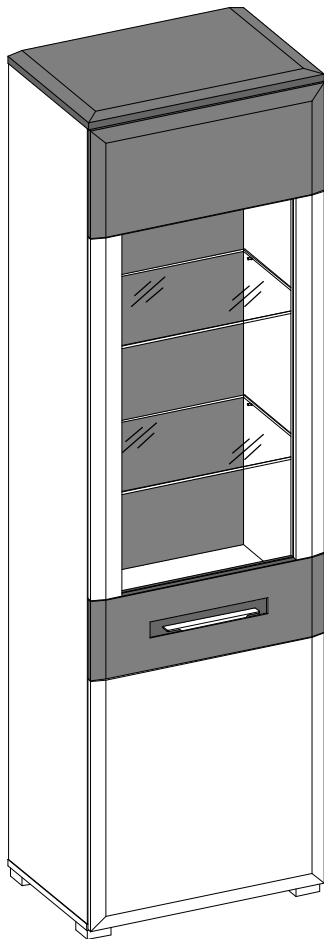
Camilla

Typ G

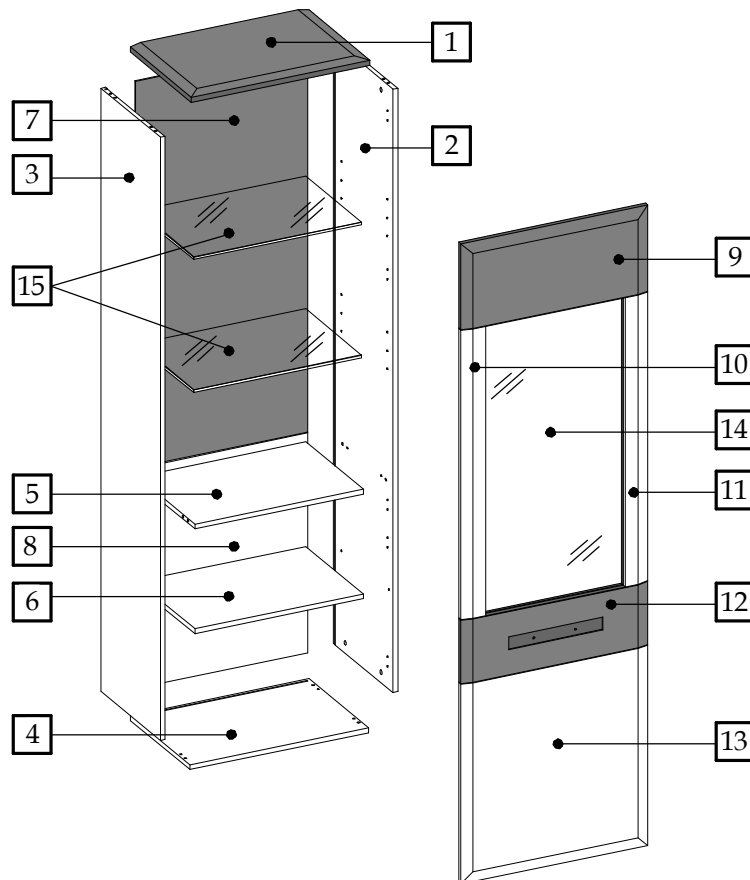






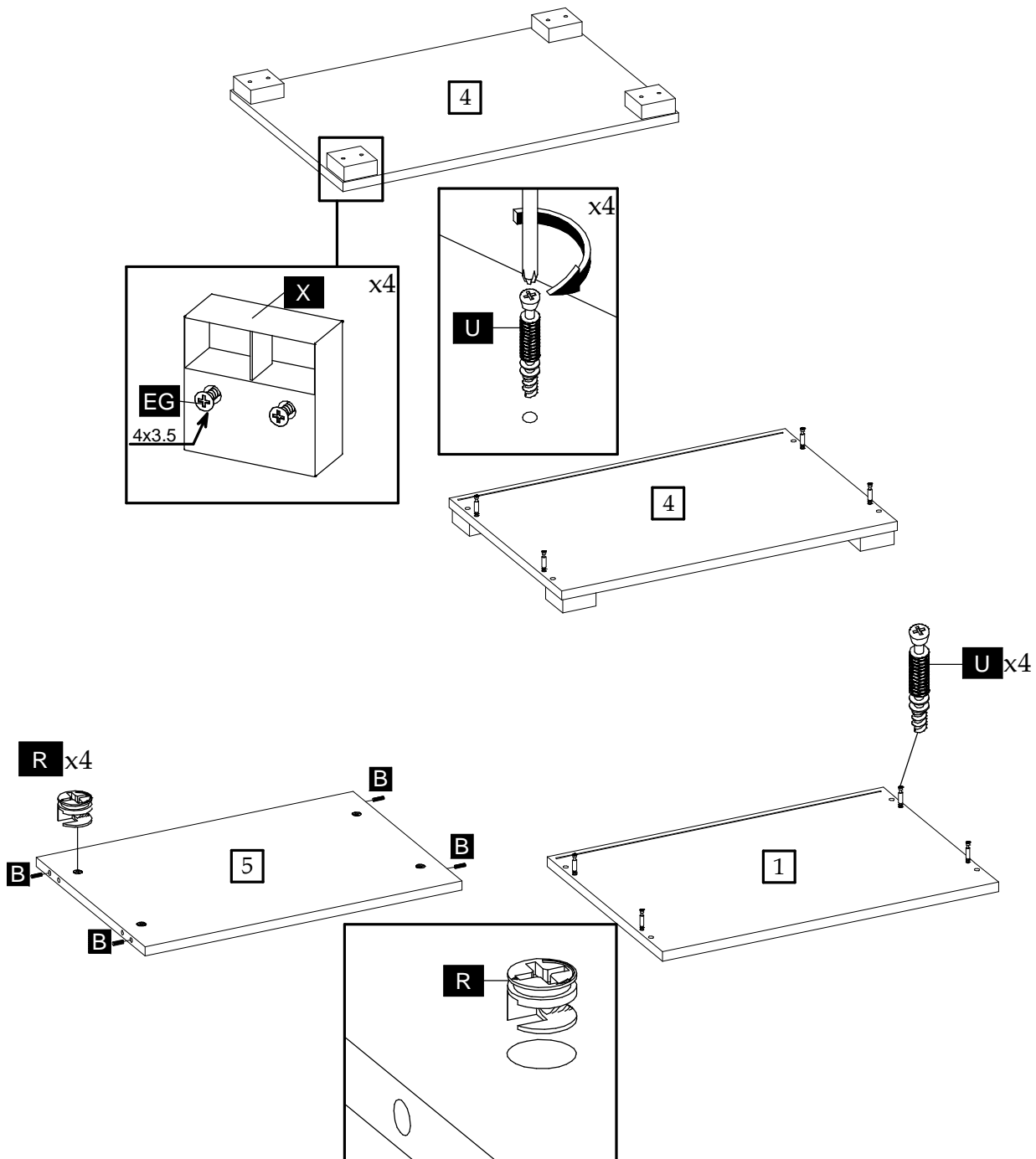


Element symbol	Measurements				Code	Paket
1	601	415	19	1	1005_19mdf	1/3
2	1992	399.5	16	1	1002	1/3
3	1992	399.5	16	1	1003	1/3
4	600	400	16	1	1004	1/3
5	566	386	16	1	1001	1/3
6	566	386	16	1	1006	1/3
7	1235	580	2.5	1	1029_v	1/3
8	770	580	2.5	1	N/A	2/3
9	596	271	22	1	3001_v	2/3
10	911	81	22	1	3002_v	2/3
11	911	81	22	1	3003_v	2/3
12	596	200	22	1	3004_v	2/3
13	624	596	22	1	3005_v	2/3
14	950	474	4	1	Glass	3/3
15	566	377	6	2	Glass	3/3

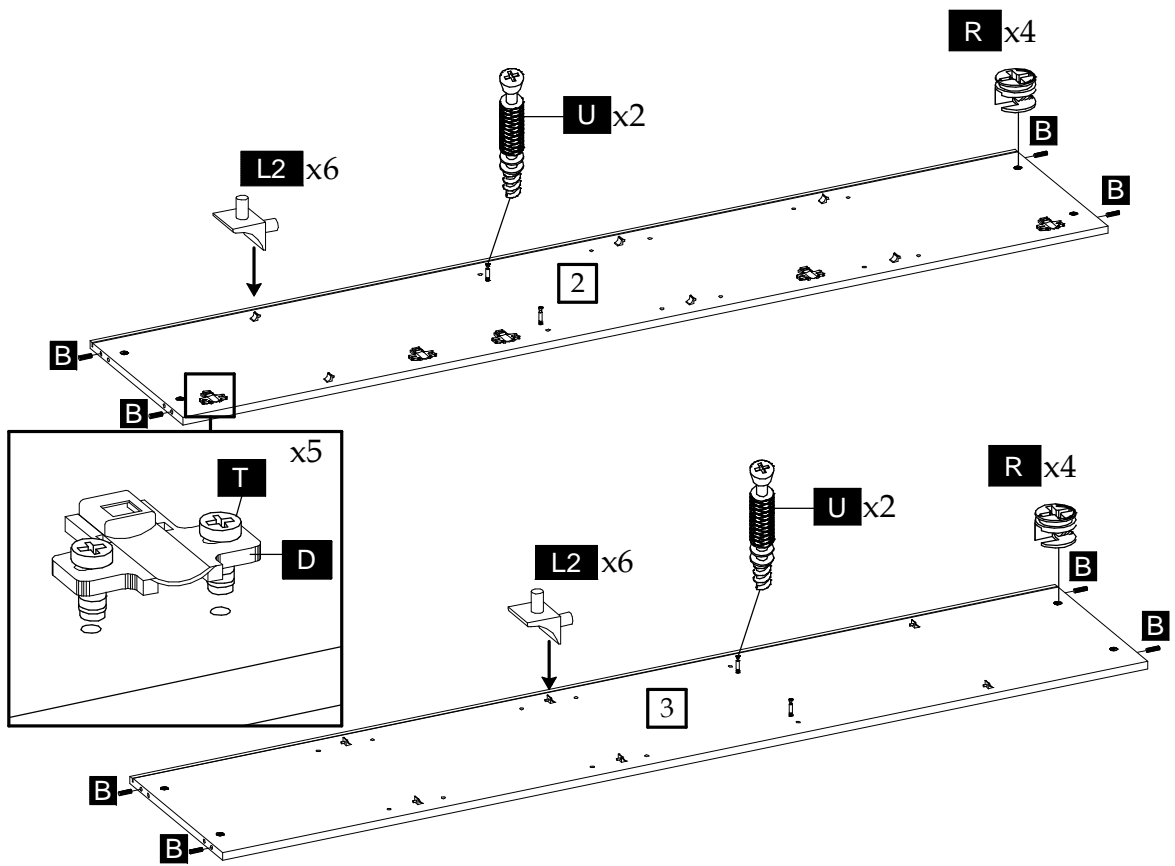




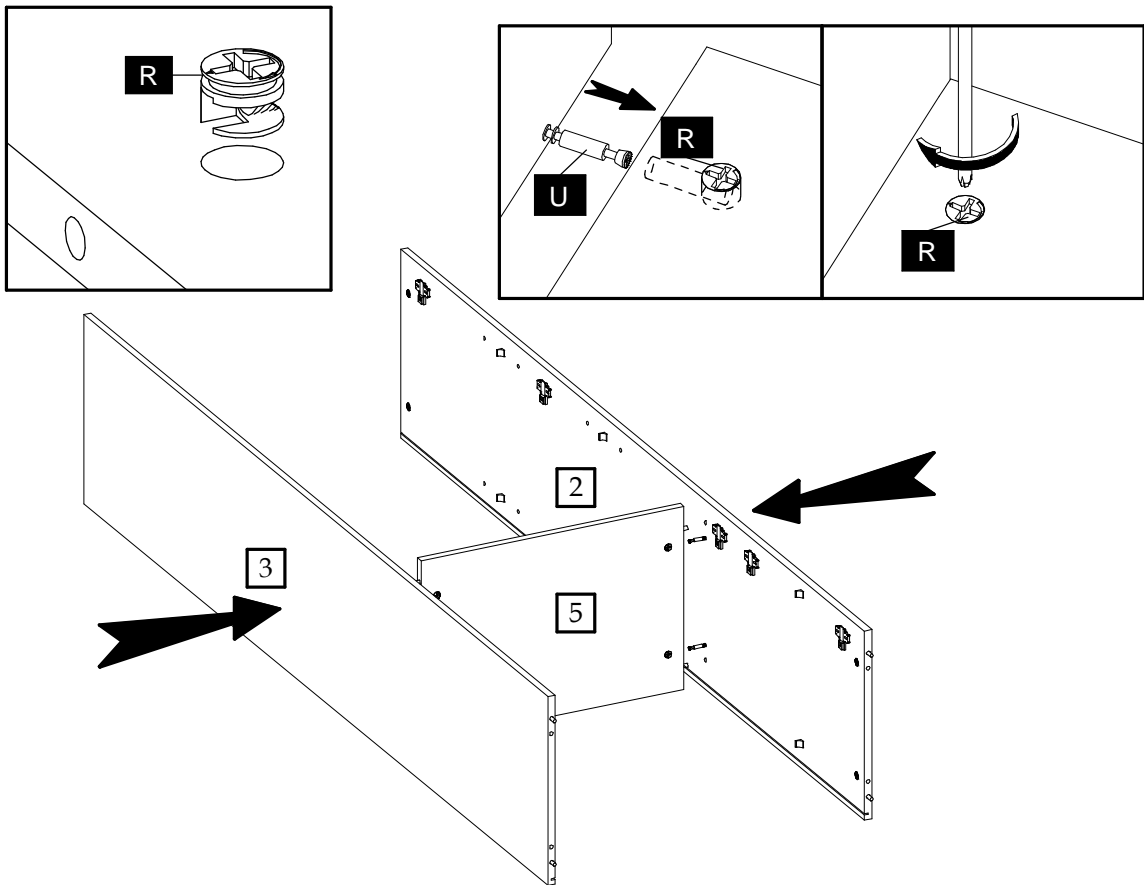
1



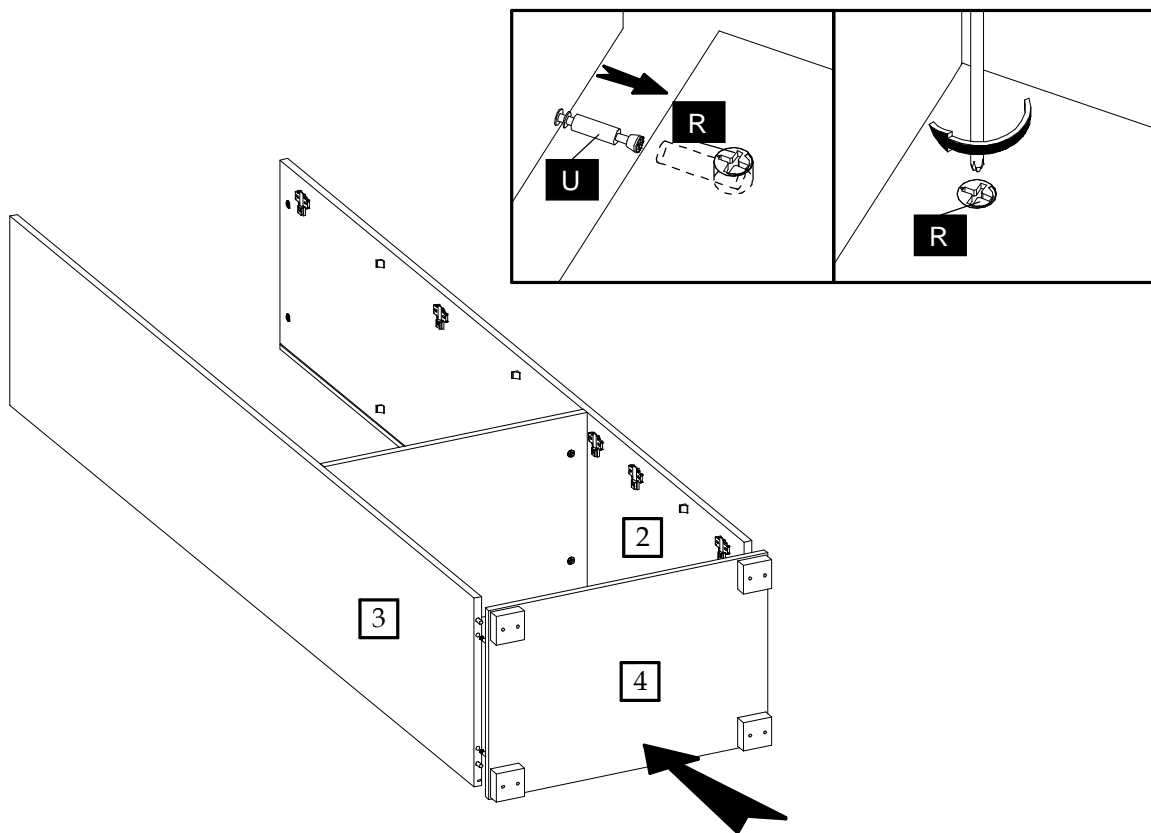
2



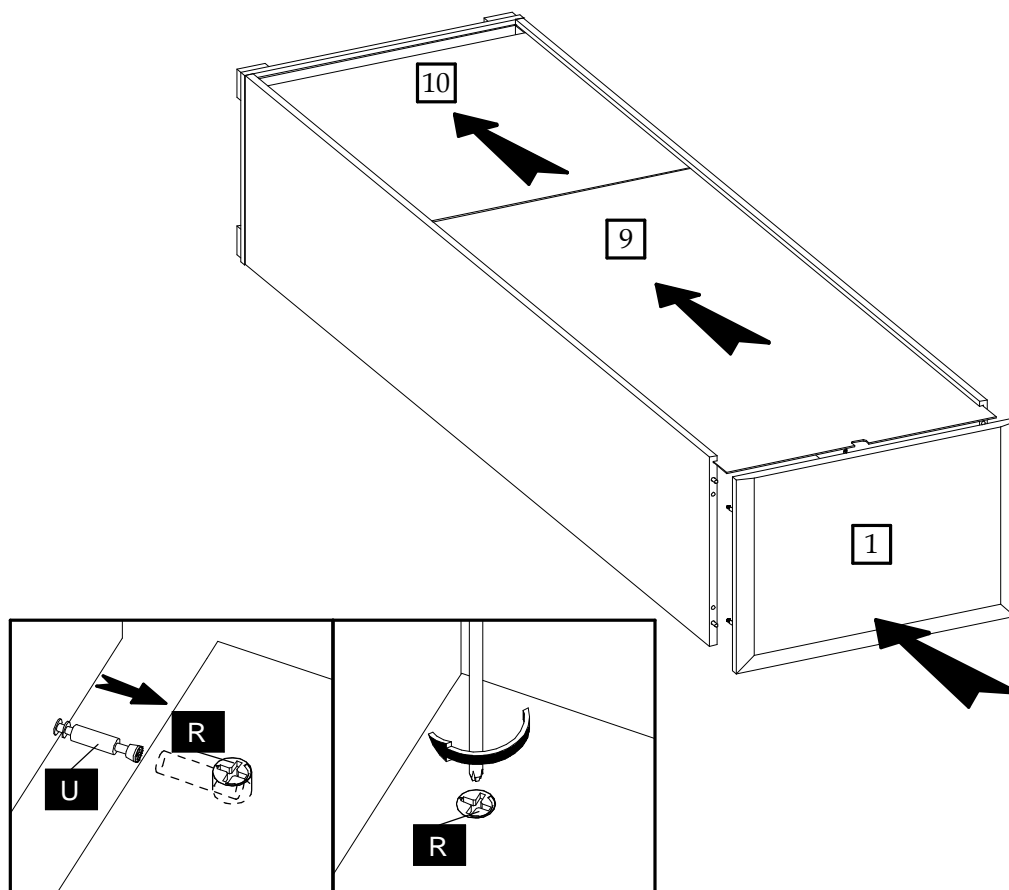
3



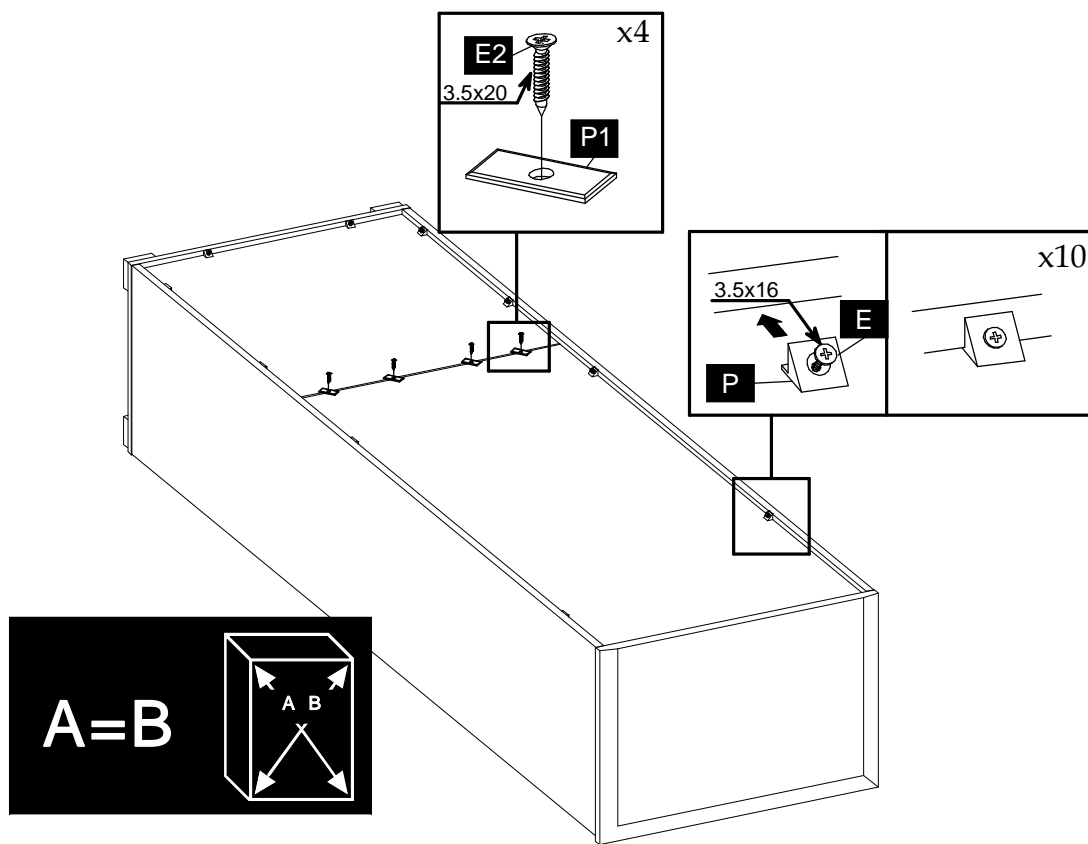
4



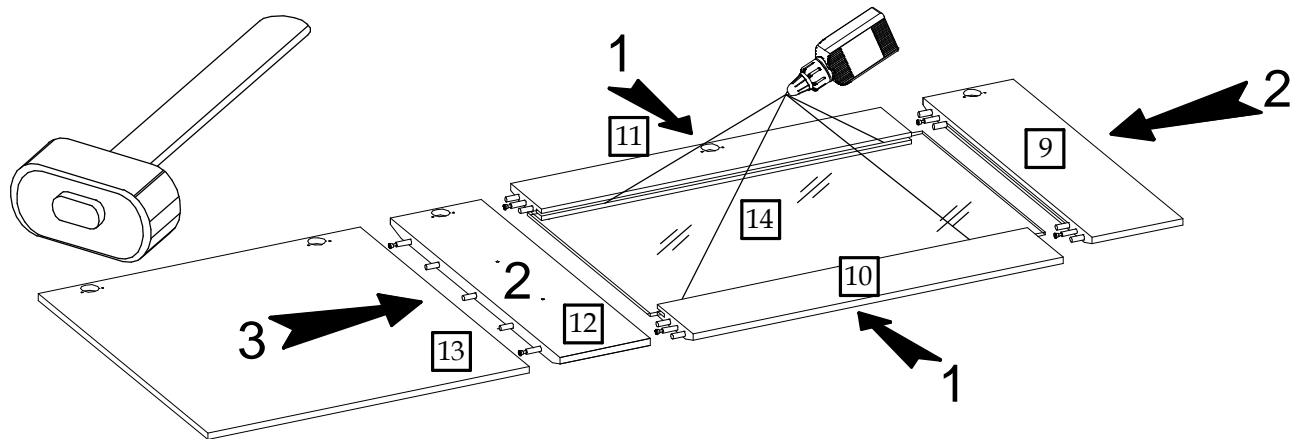
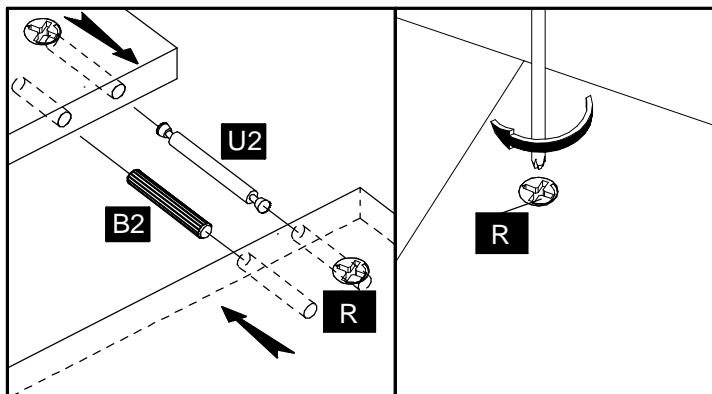
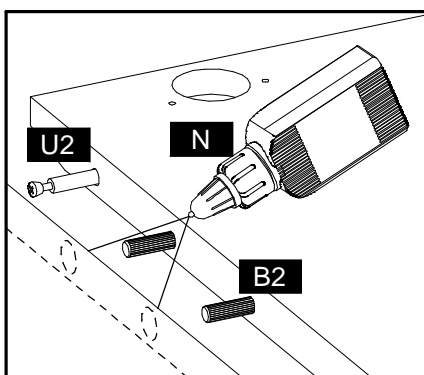
5



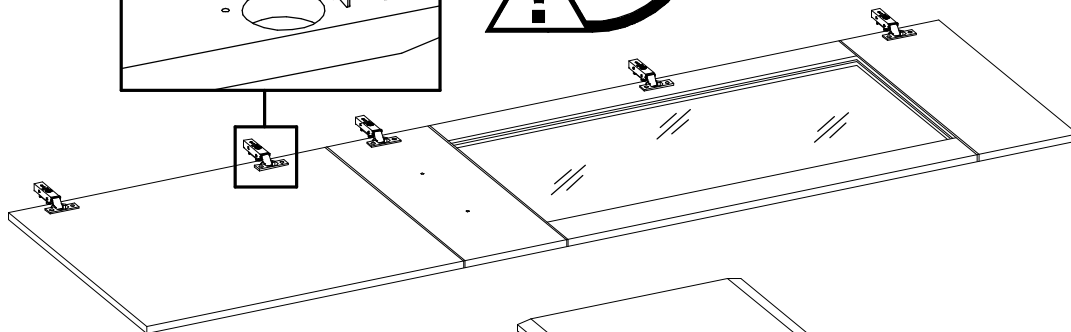
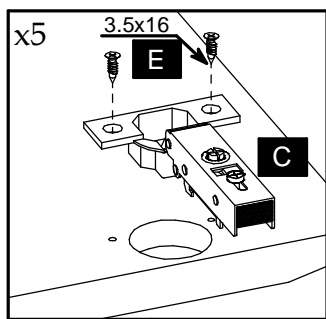
6



7



8



9

