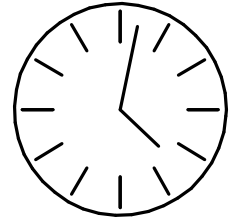
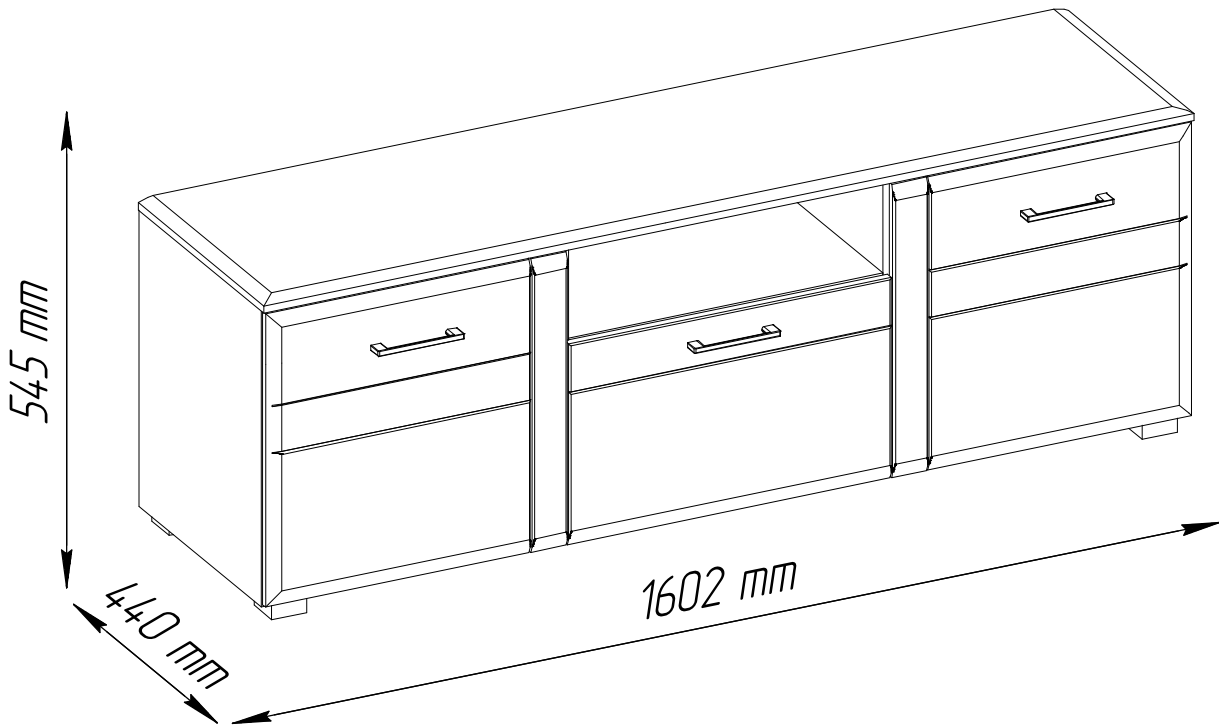
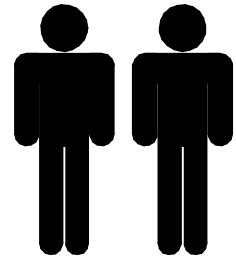


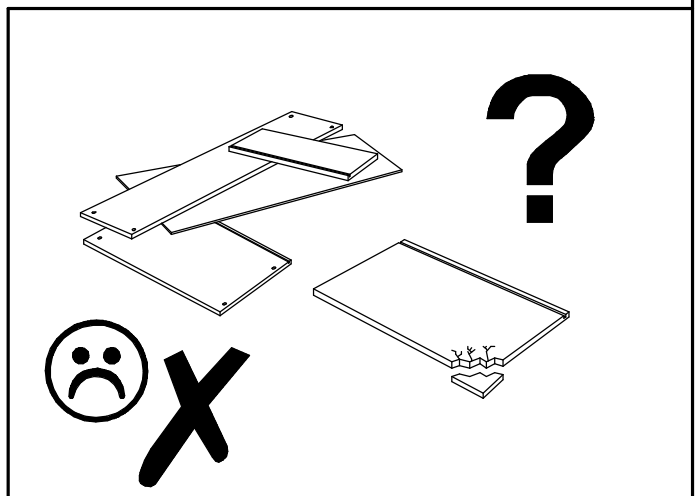
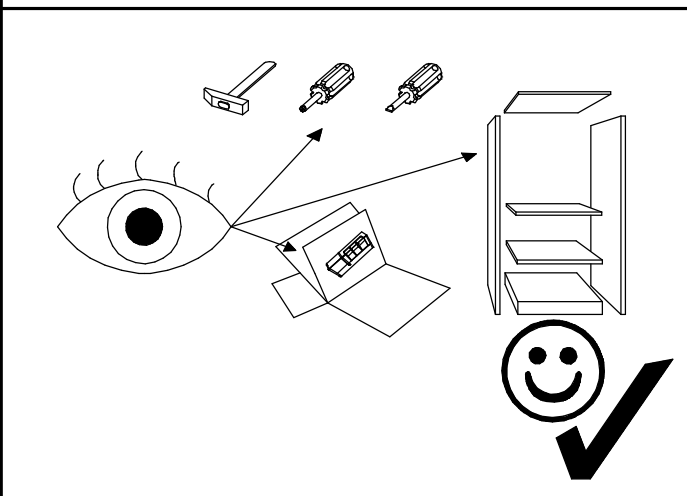
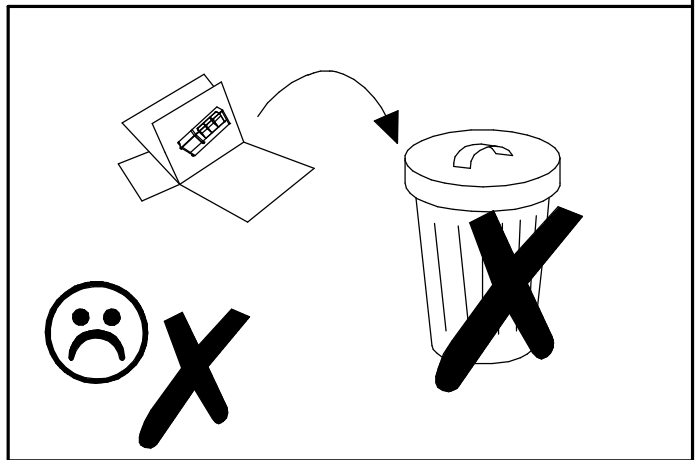
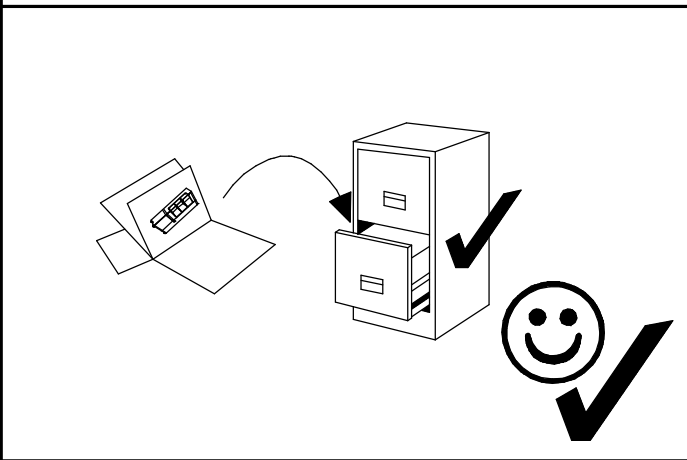
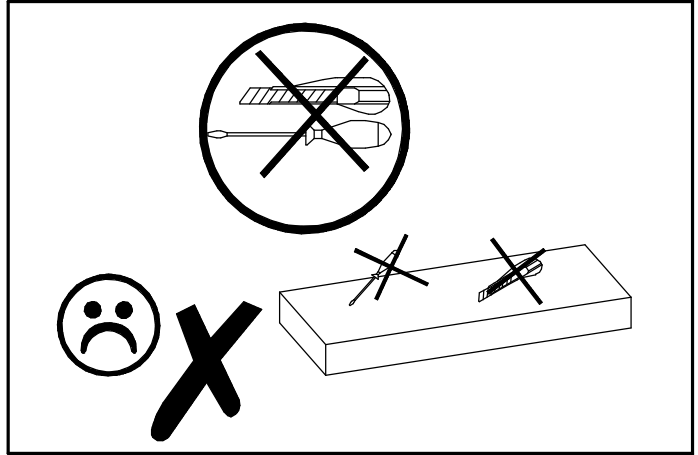
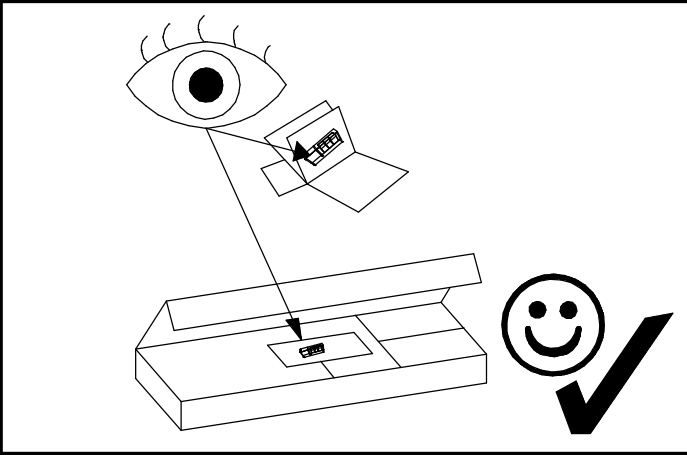
Iris

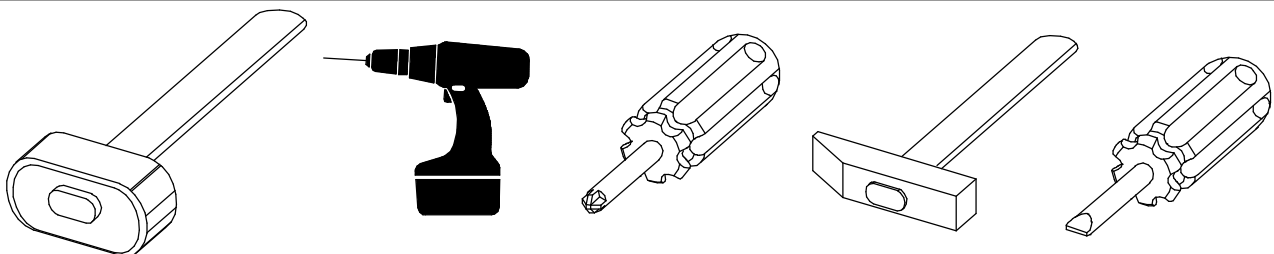
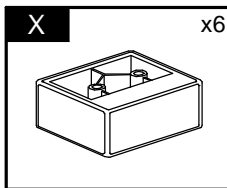
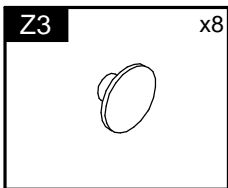
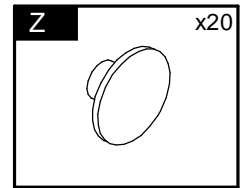
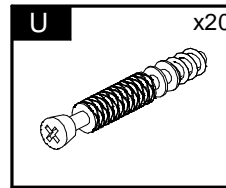
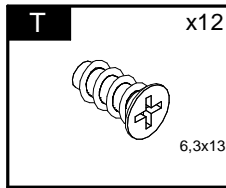
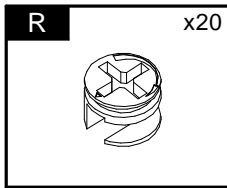
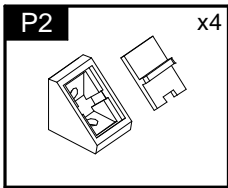
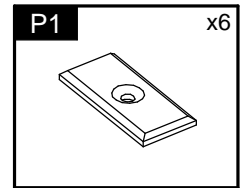
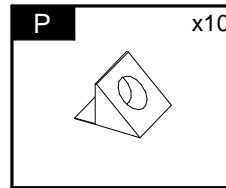
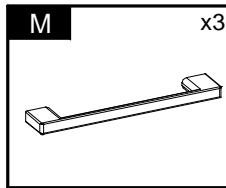
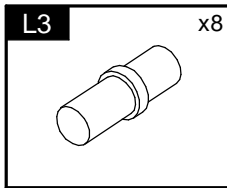
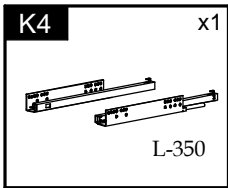
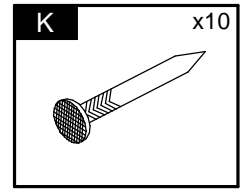
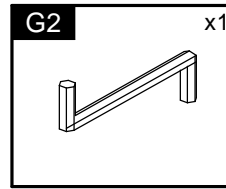
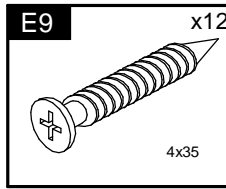
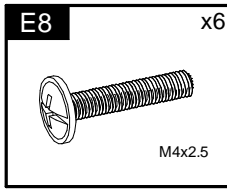
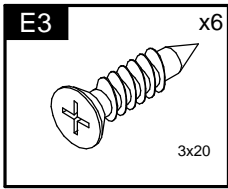
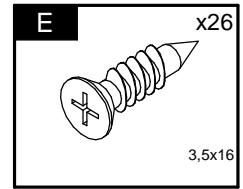
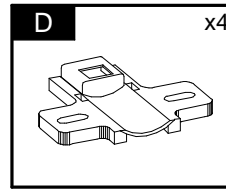
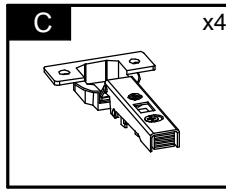
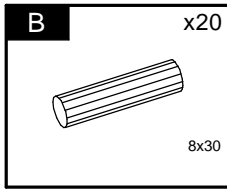
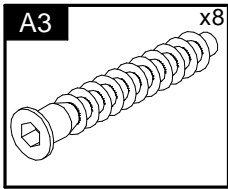
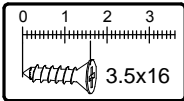
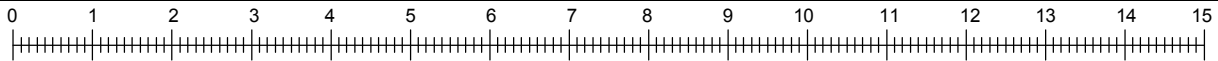
Typ B



50 min

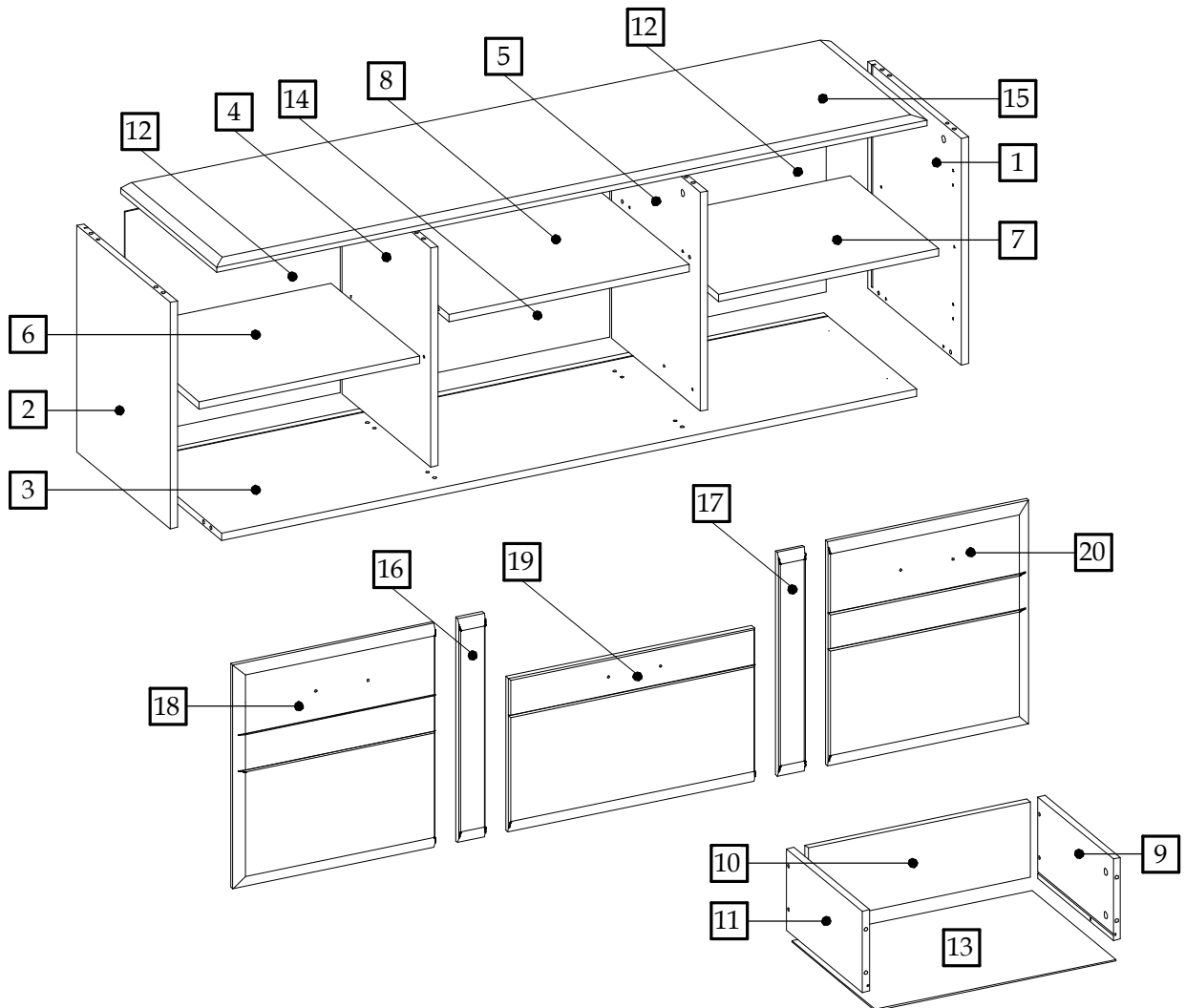




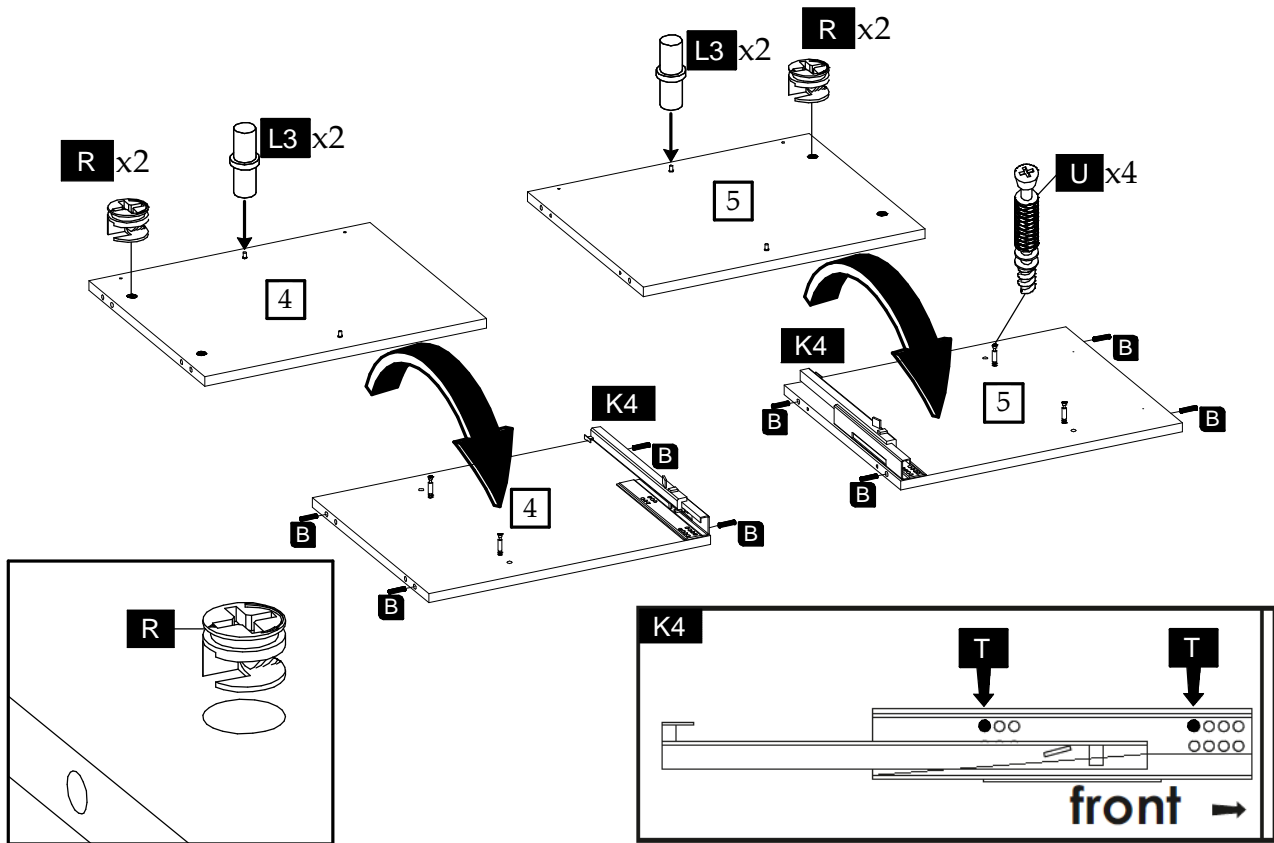


Element symbol	Measurements				Code	Paket
1	501.5	420	16	1	1002	1/2
2	501.5	420	16	1	1003	1/2
3	1568	419	16	1	1004/2004	1/2
4	485	399	16	1	1007/2007	1/2
5	485	399	16	1	1008/2008	1/2
6	497	398	16	1	N/A	1/2
7	497	398	16	1	N/A	1/2
8	542	399	16	1	1015	1/2
9	340	180	16	1	1017	1/2
10	500	166	16	1	1018	1/2

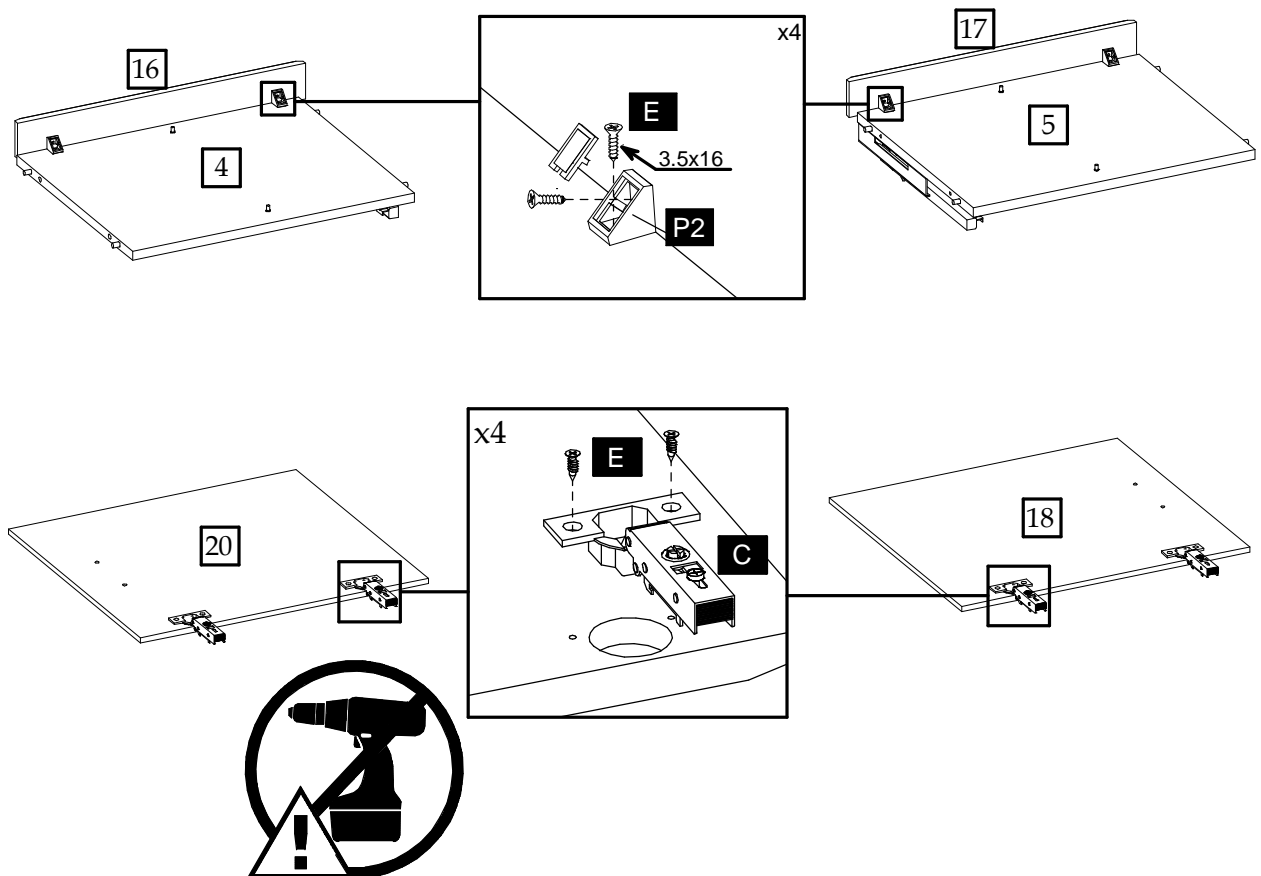
Element symbol	Measurements				Code	Paket
11	340	180	16	1	1019	1/2
12	512	499	3	2	N/A	2/2
13	510	345	3	1	N/A	2/2
14	558	499	3	1	1020_v	2/2
15	1604	433	19	1	3001_v	1/2
16	498	62	19	1	3002_bhx	2/2
17	498	62	19	1	3003_bhx	2/2
18	498	456	19	1	3004_bhx	2/2
19	557	343	19	1	3005_bhx	2/2
20	498	456	19	1	3006_bhx	2/2



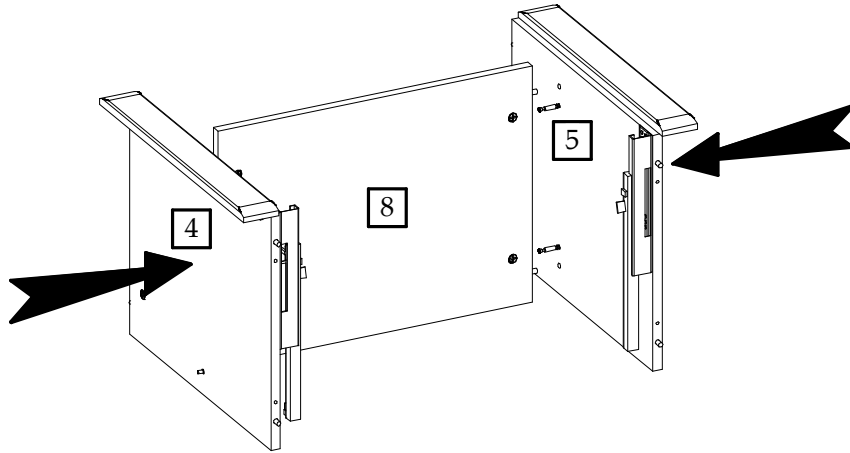
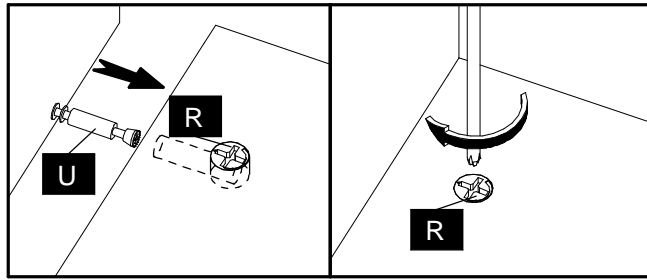
2



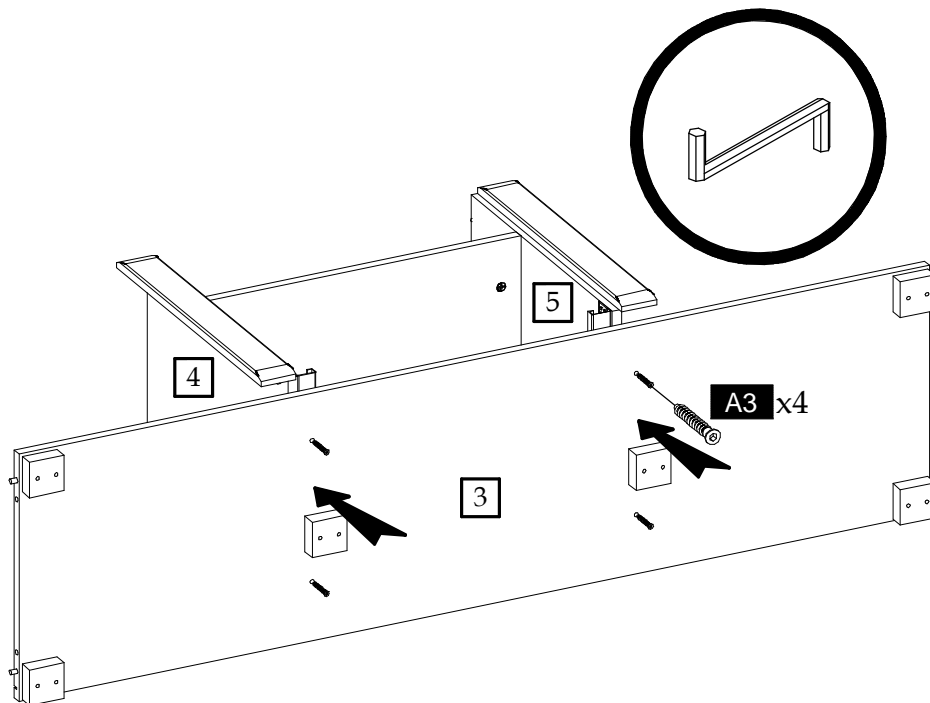
3



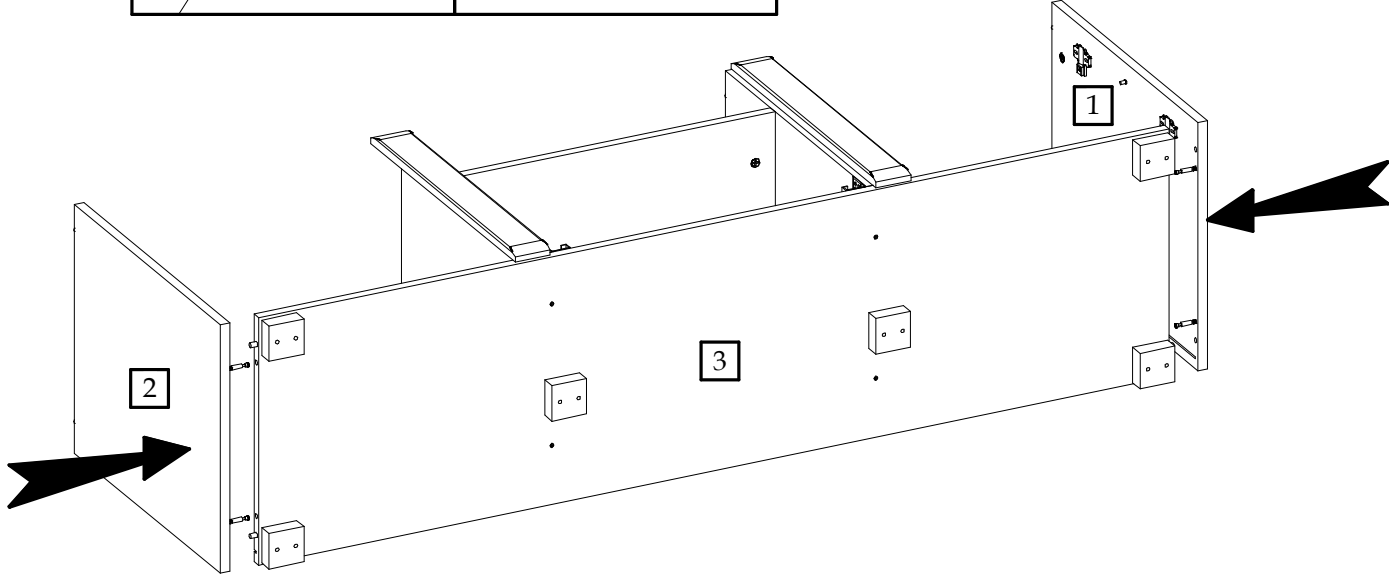
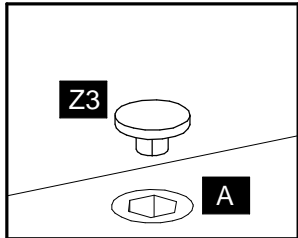
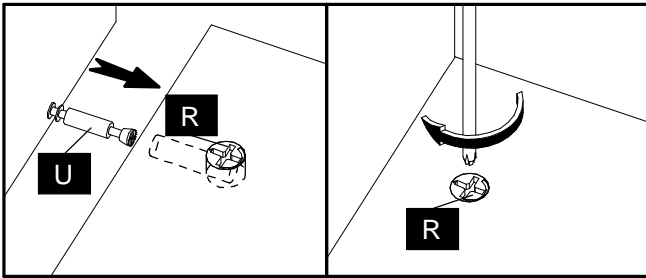
4



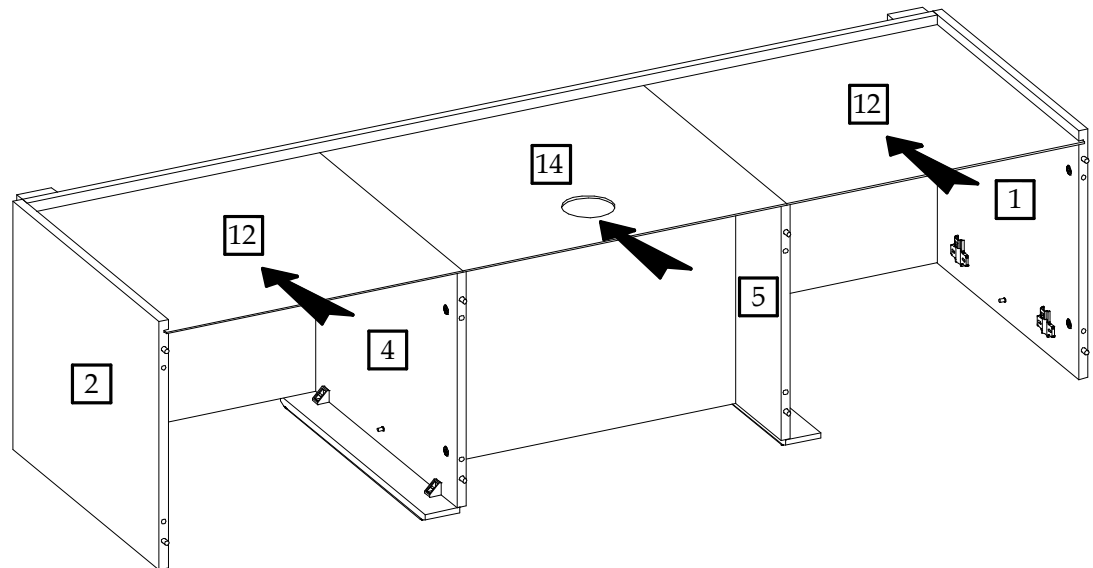
5



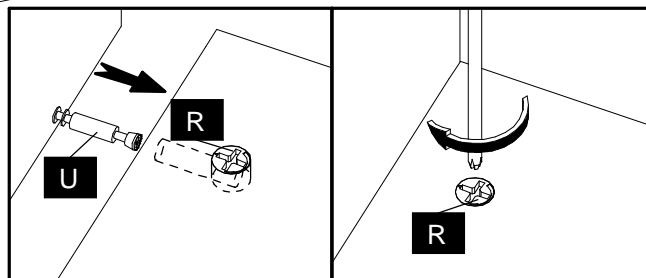
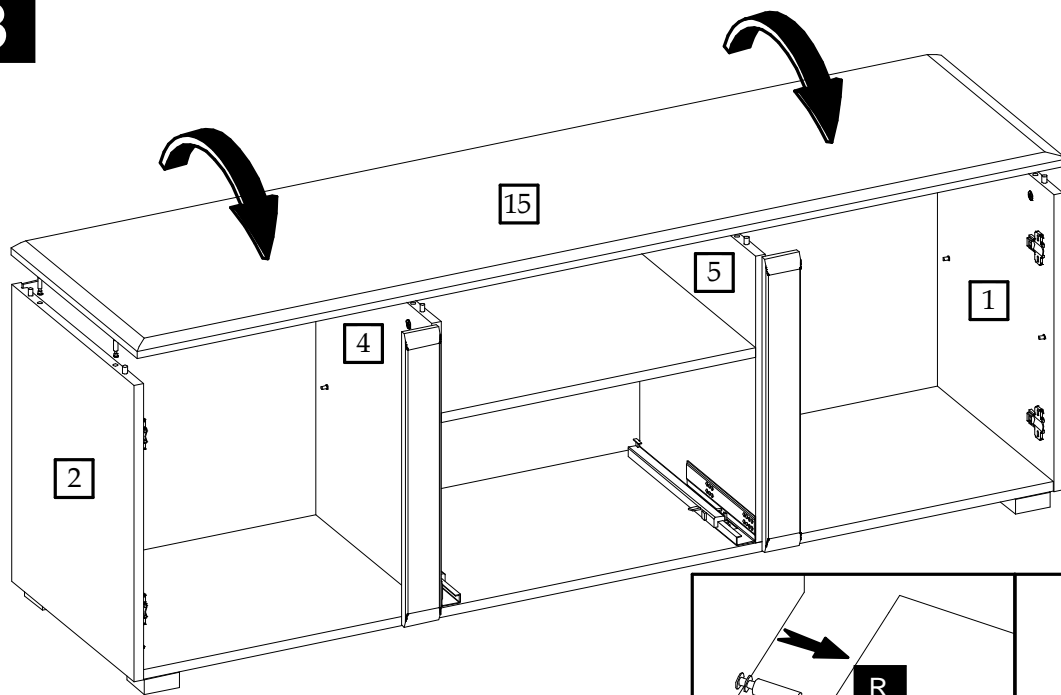
6



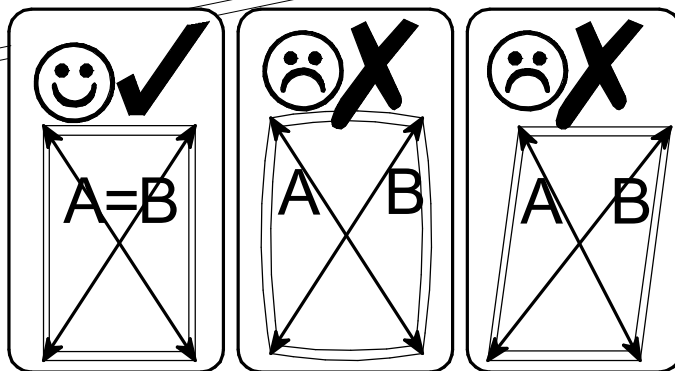
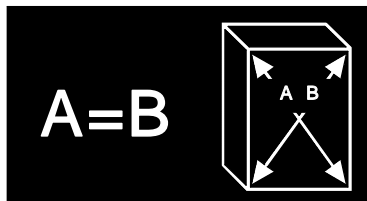
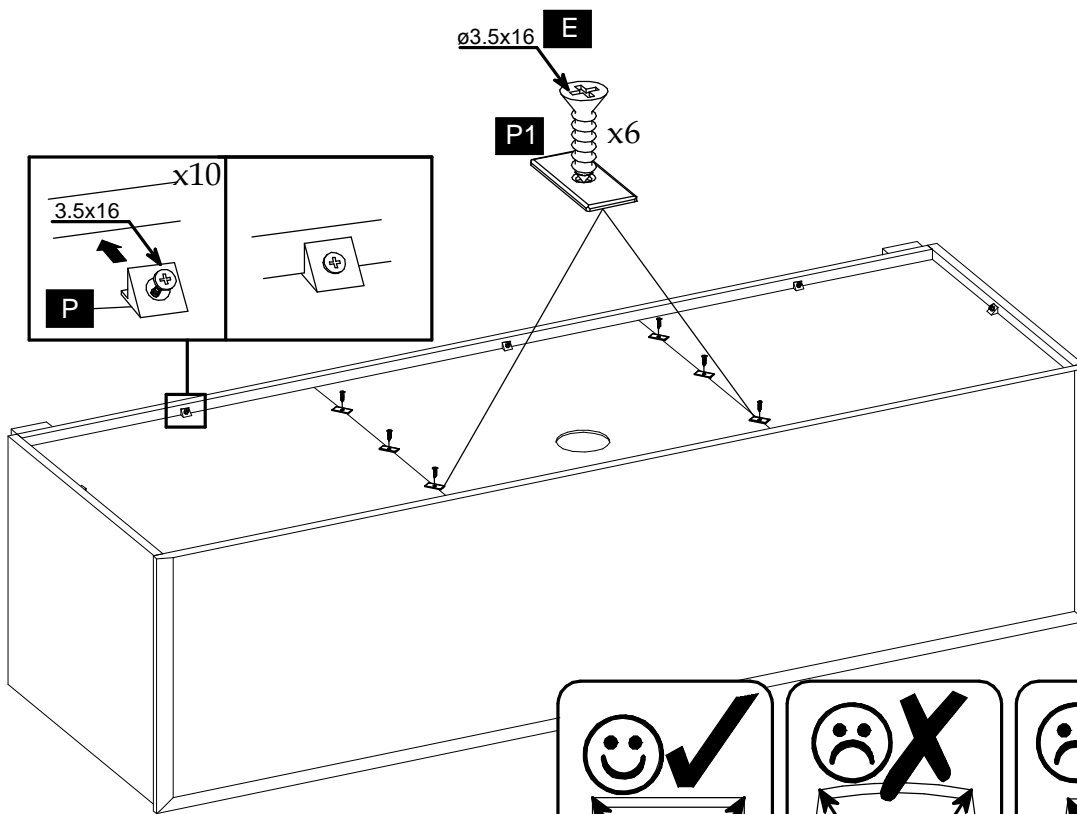
7



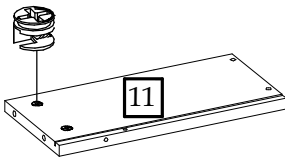
8



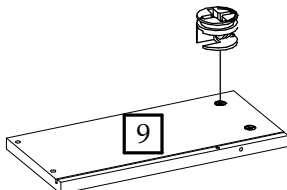
9



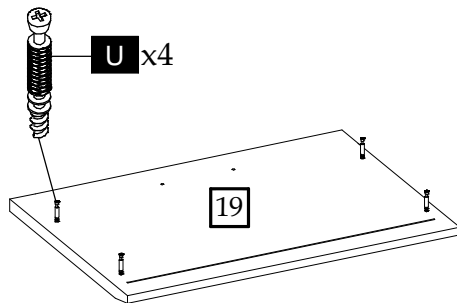
R x2



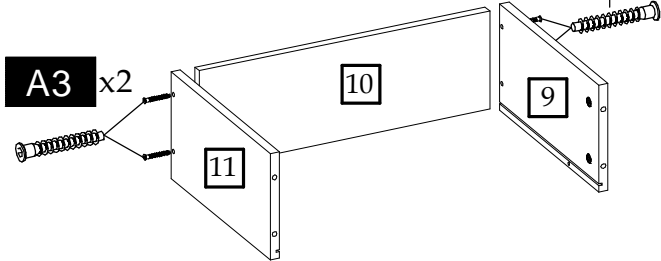
R x2



U x4



A3 x2



A3 x2

