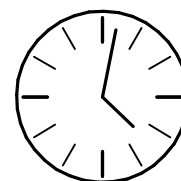
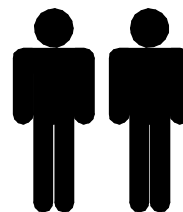
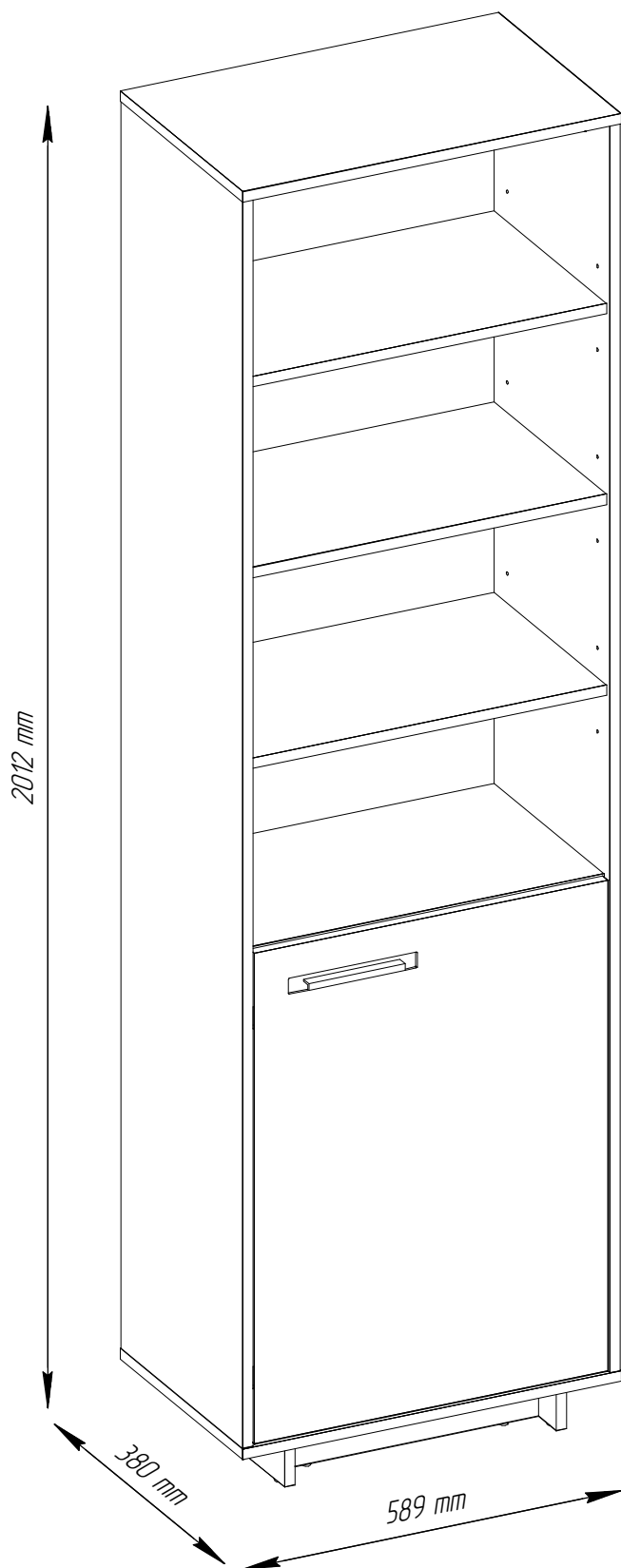
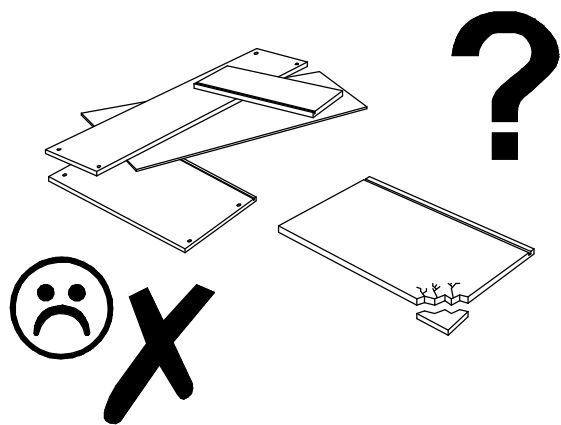
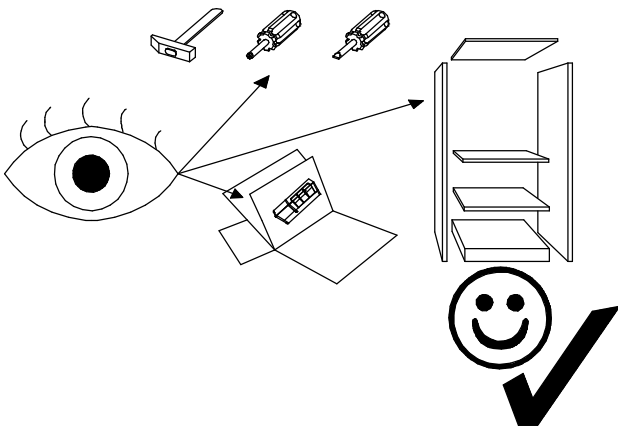
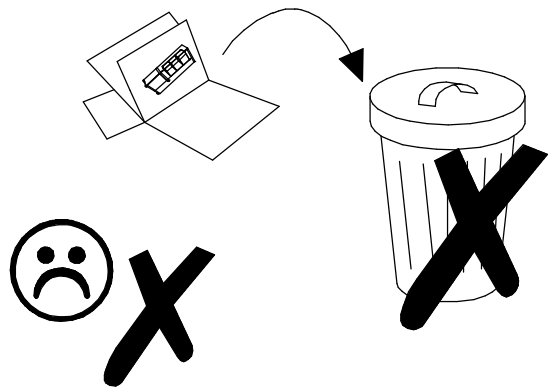
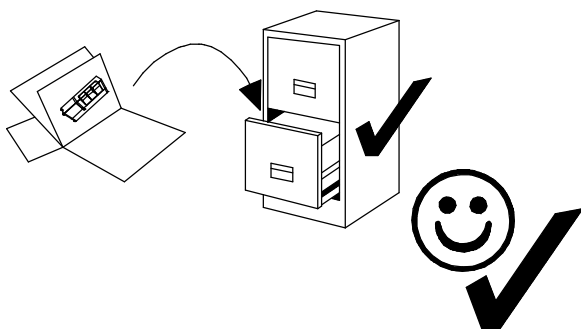
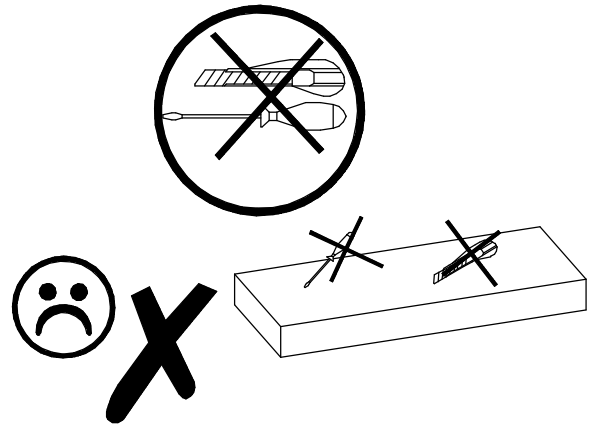
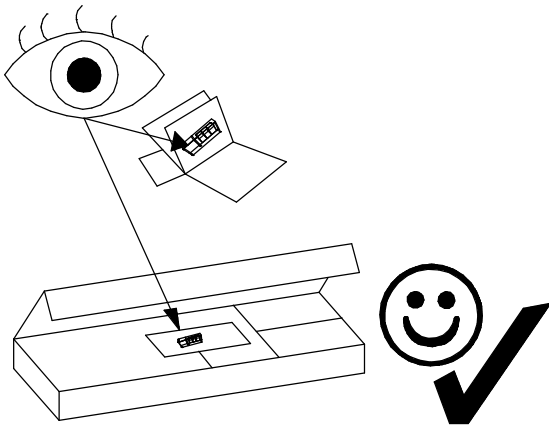


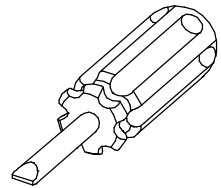
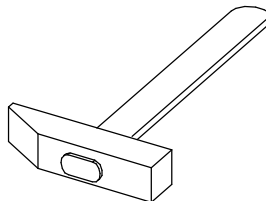
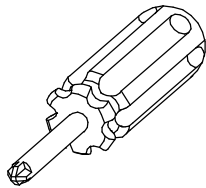
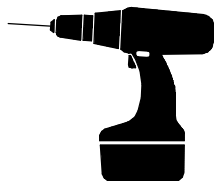
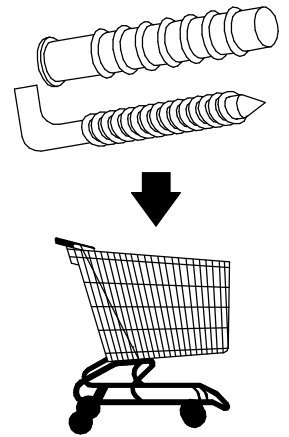
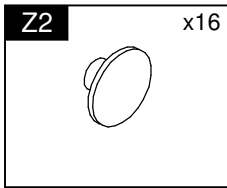
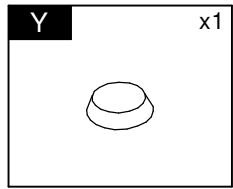
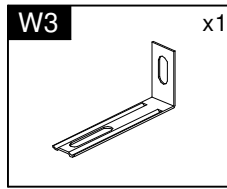
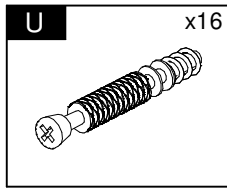
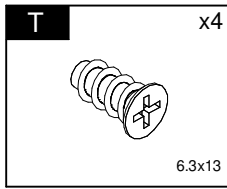
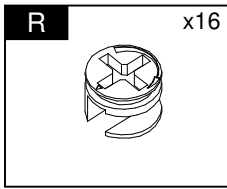
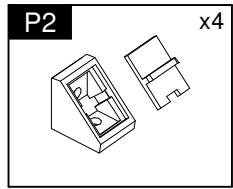
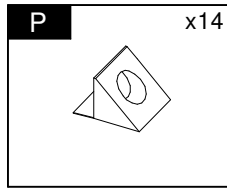
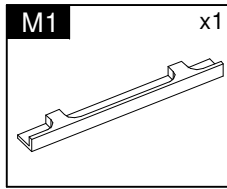
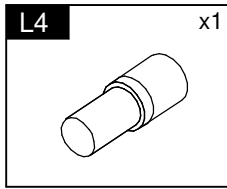
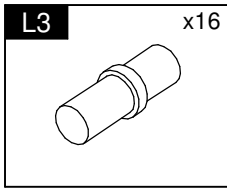
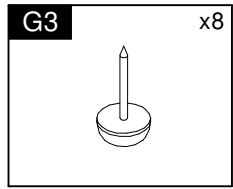
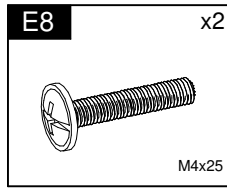
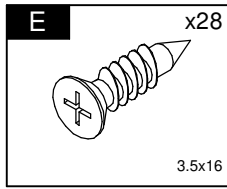
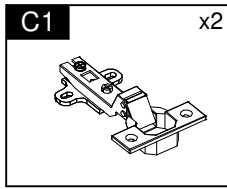
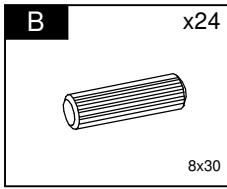
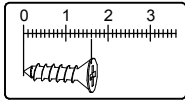
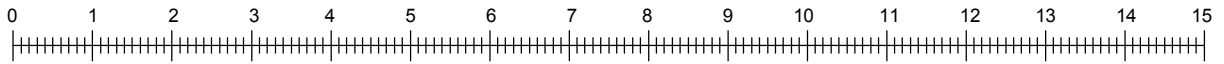
DELI

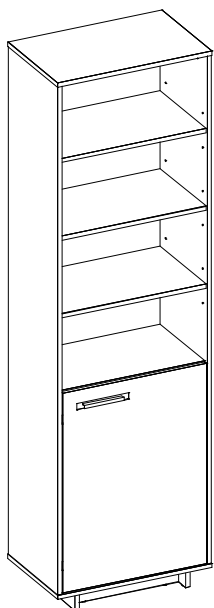
Typ R2



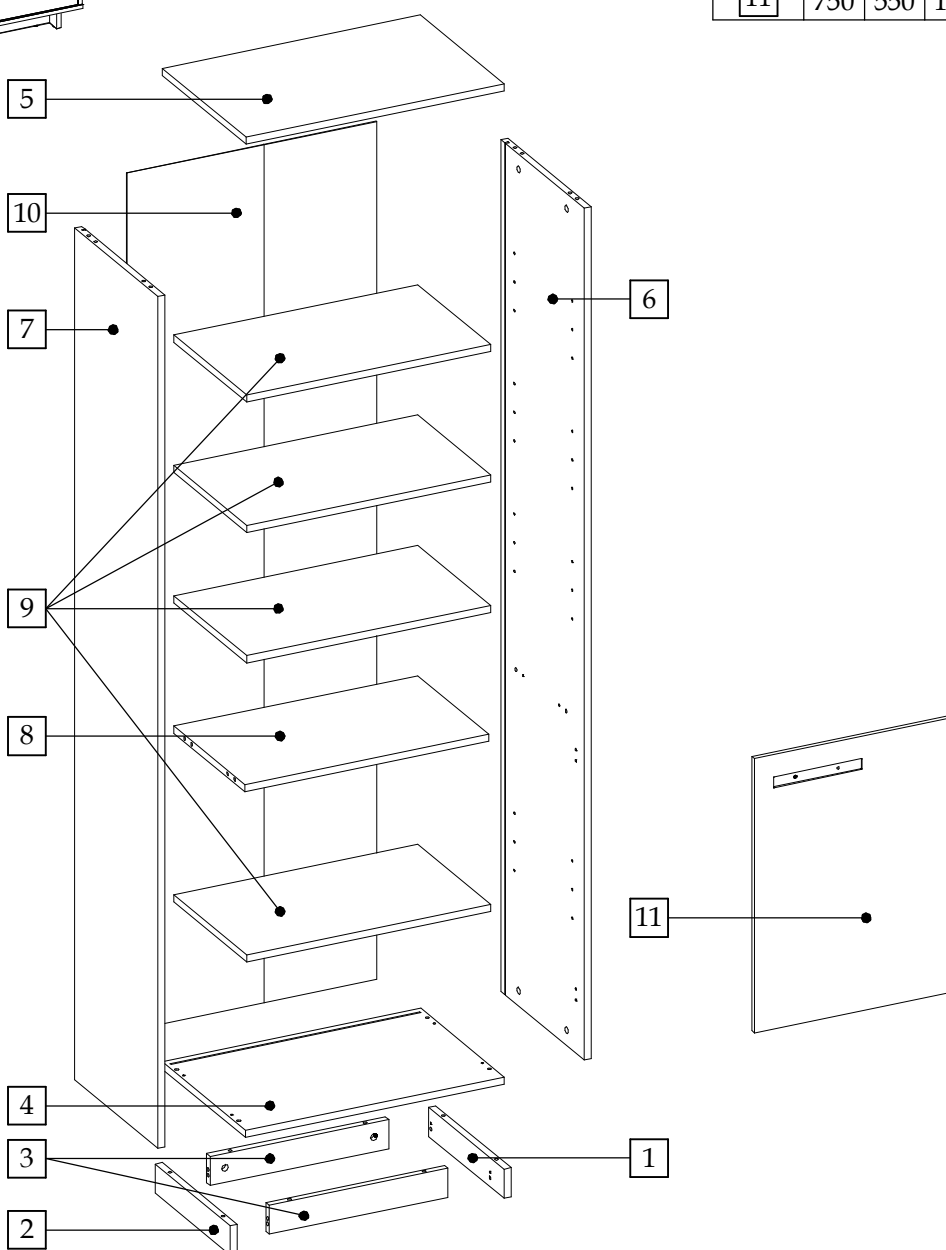
60 min

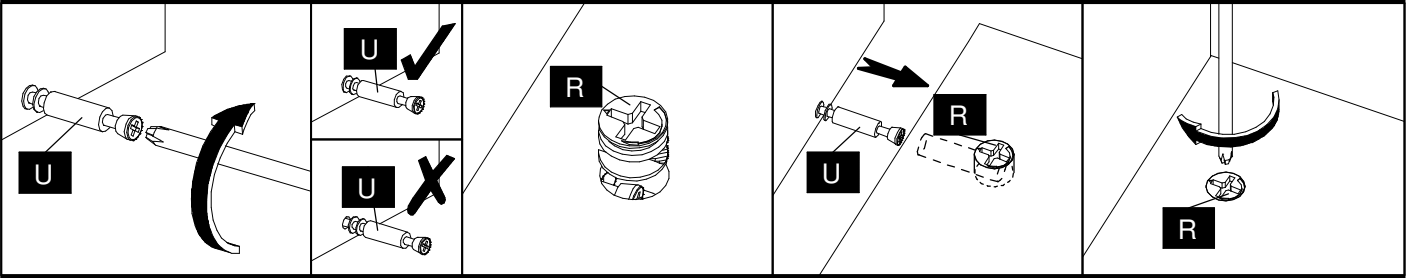




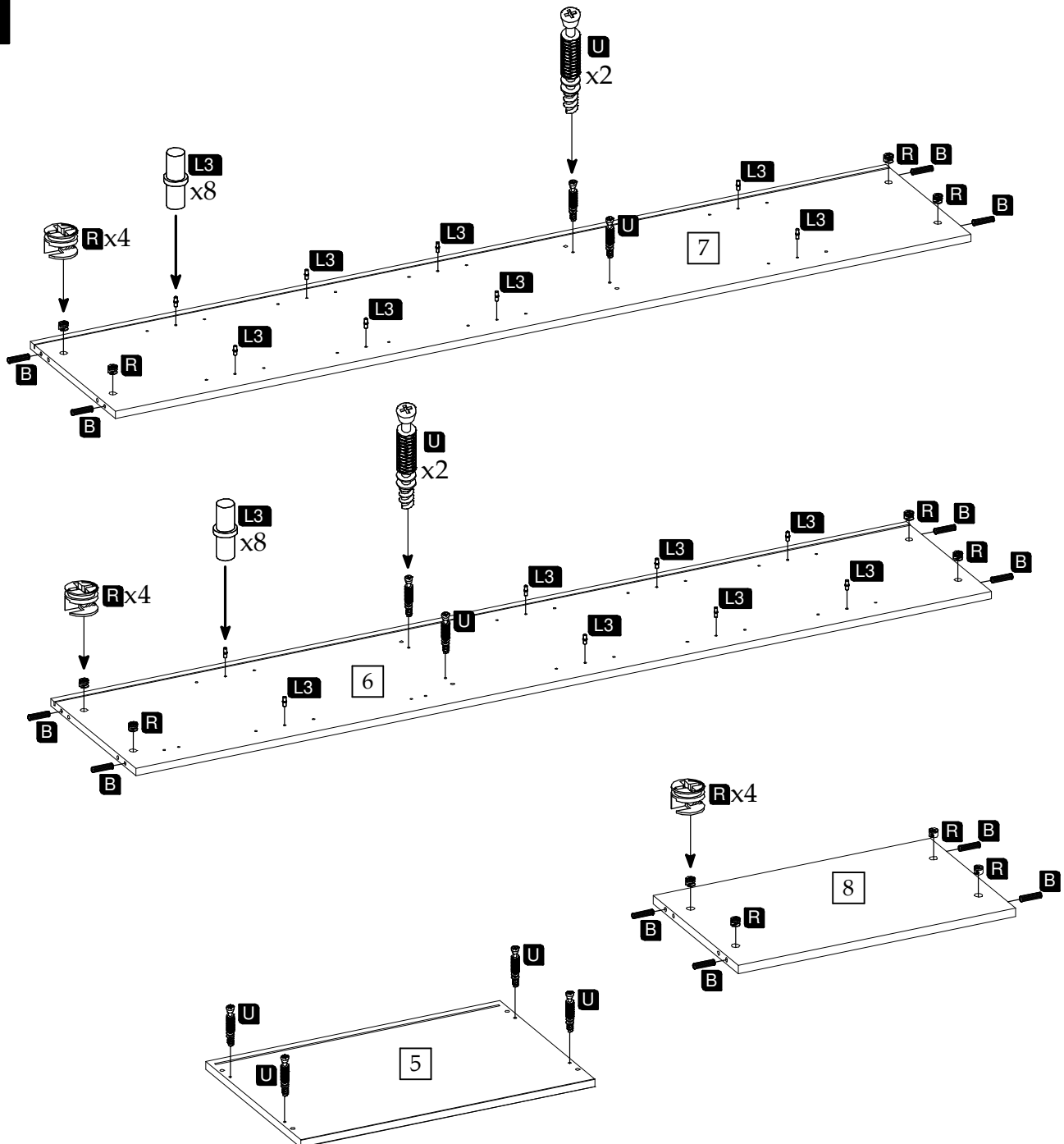


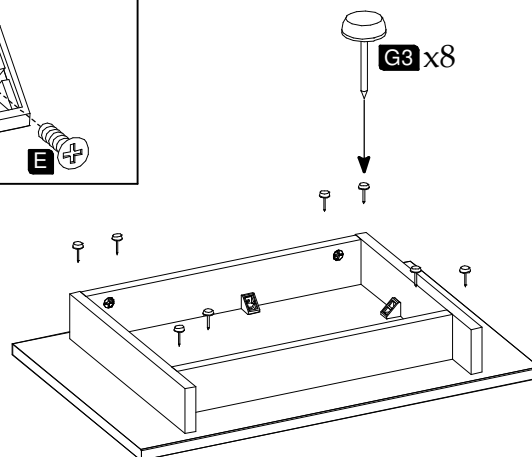
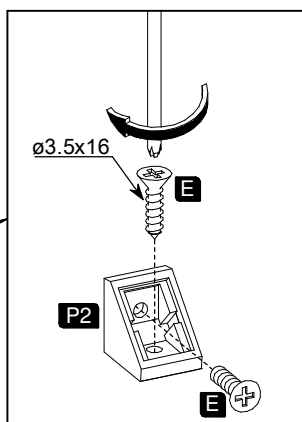
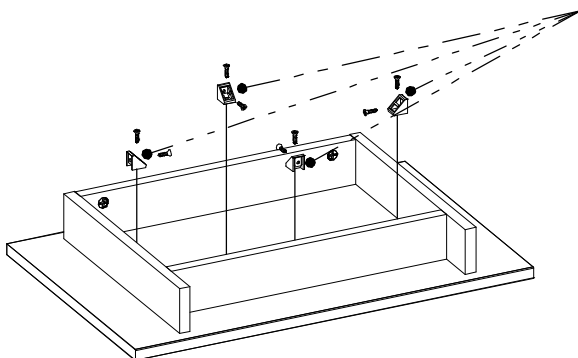
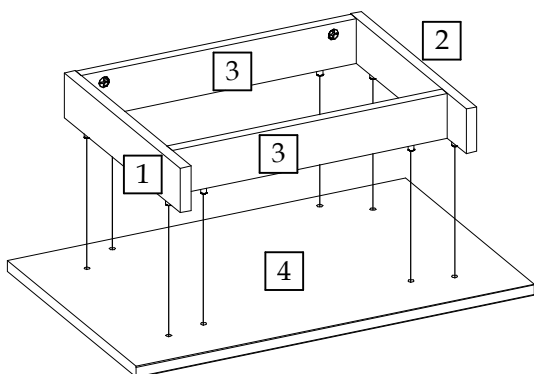
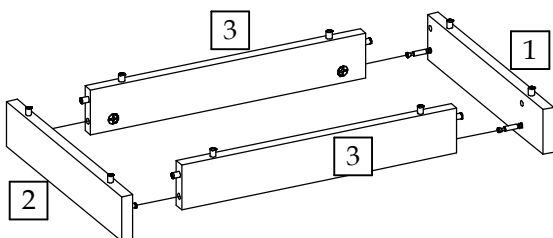
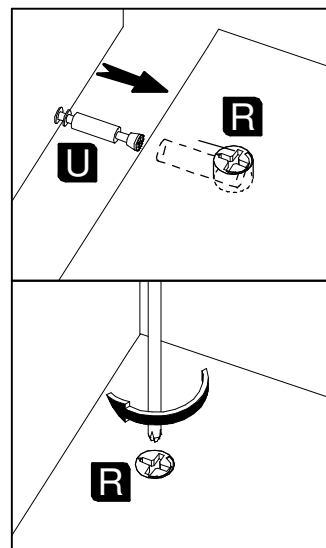
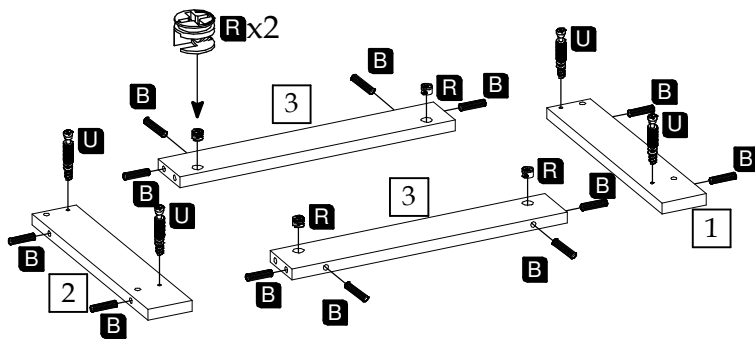
Element symbol	Measurements				Code	Paket
	1	2	3	4		
1	341	65	16	1	1001	1/2
2	341	65	16	1	1003	1/2
3	407	65	16	2	1004	1/2
4	589	380	16	1	1005	1/2
5	589	380	16	1	1006	1/2
6	1905	378	16	1	1007	1/2
7	1905	378	16	1	1008	1/2
8	555	340.5	16	1	1009	1/2
9	555	331	16	4	N/A	1/2
10	1919	284	3	2	N/A	1/2
11	750	550	16	1	3003	2/2



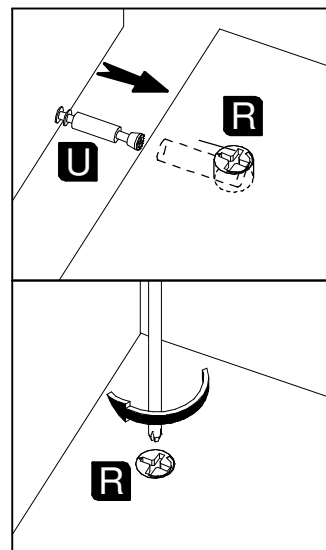
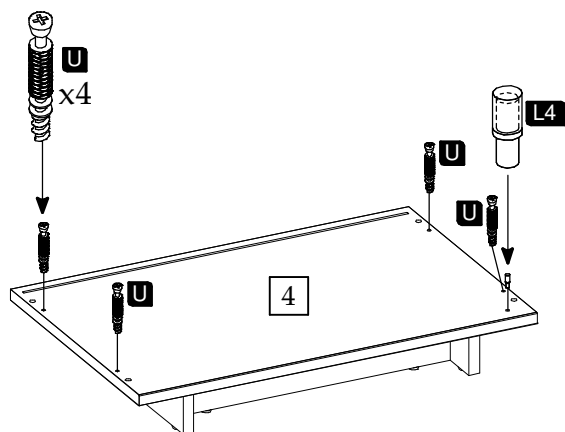


1

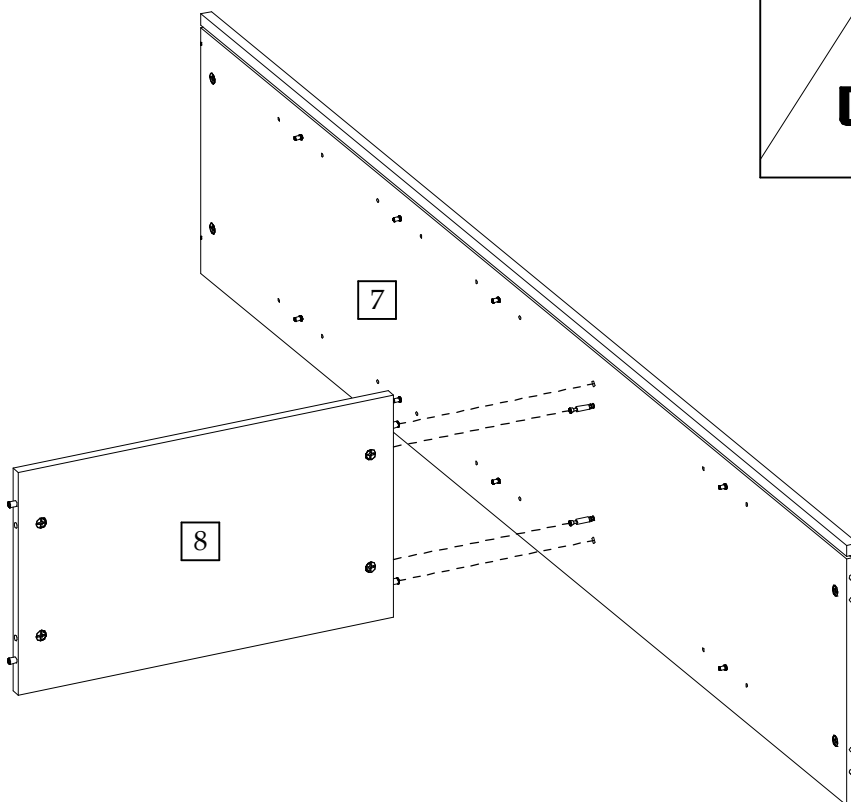




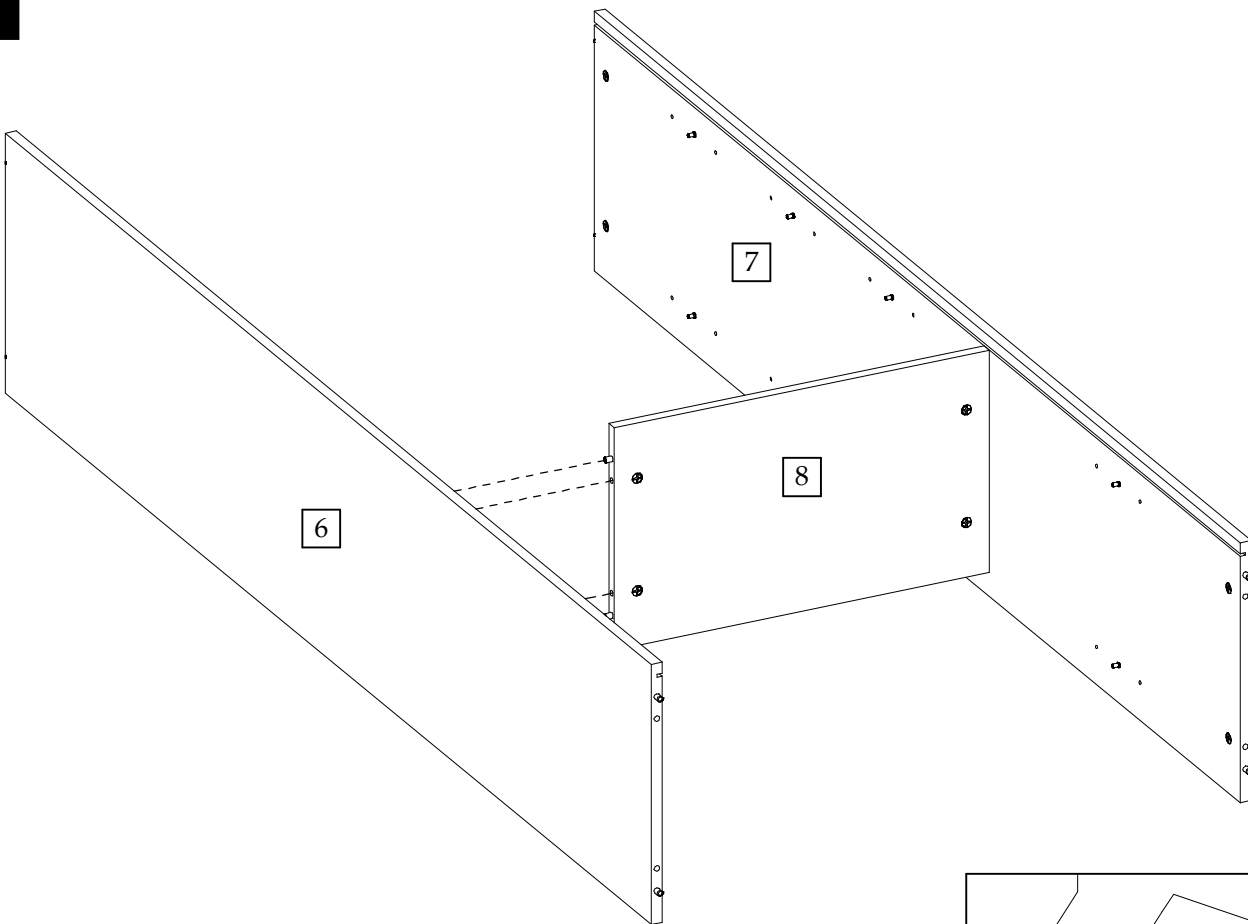
3



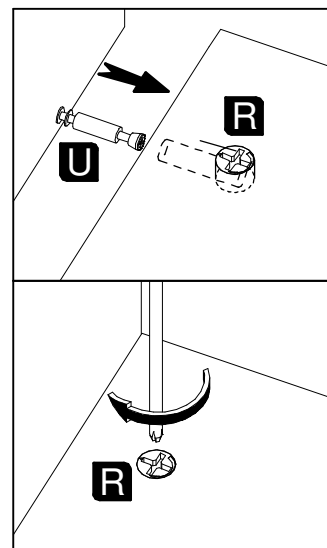
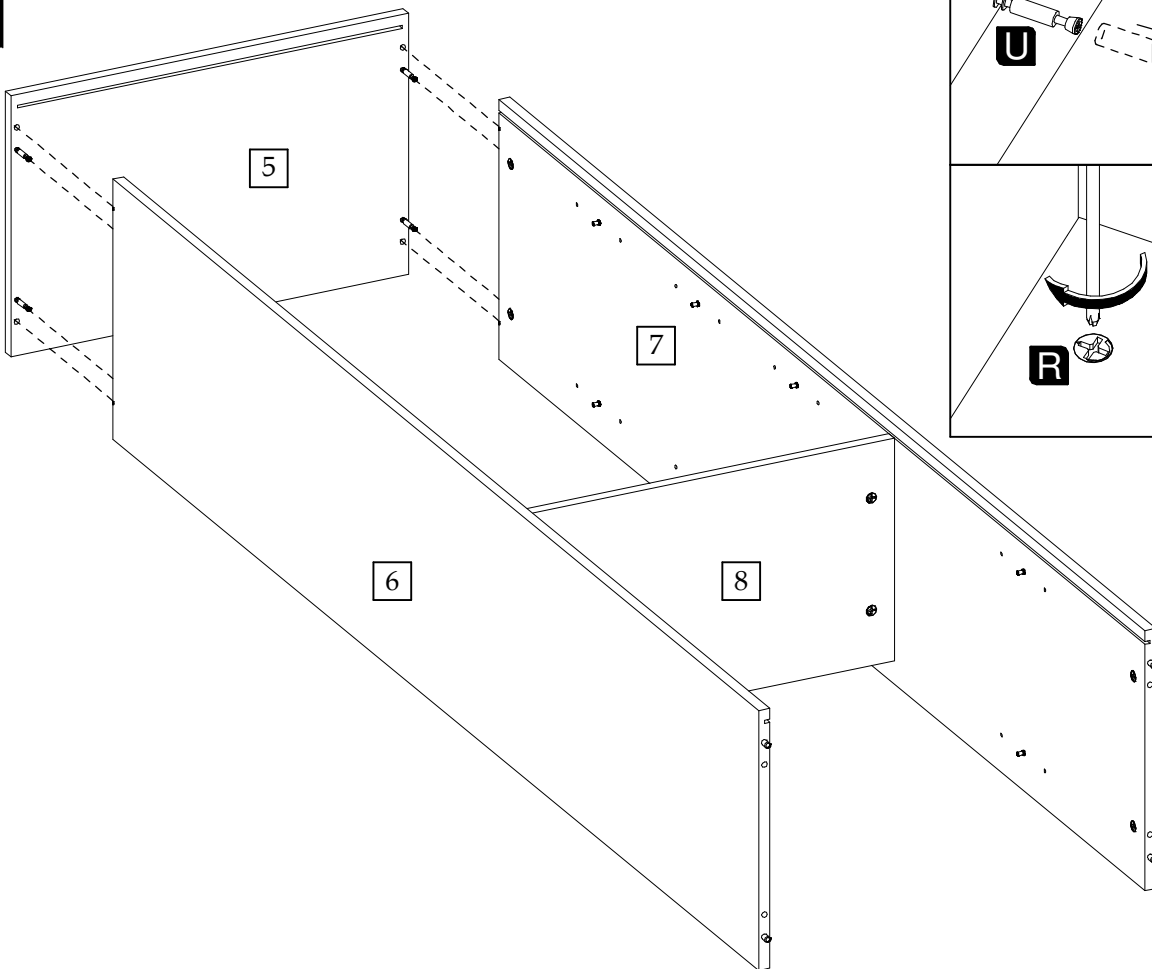
4



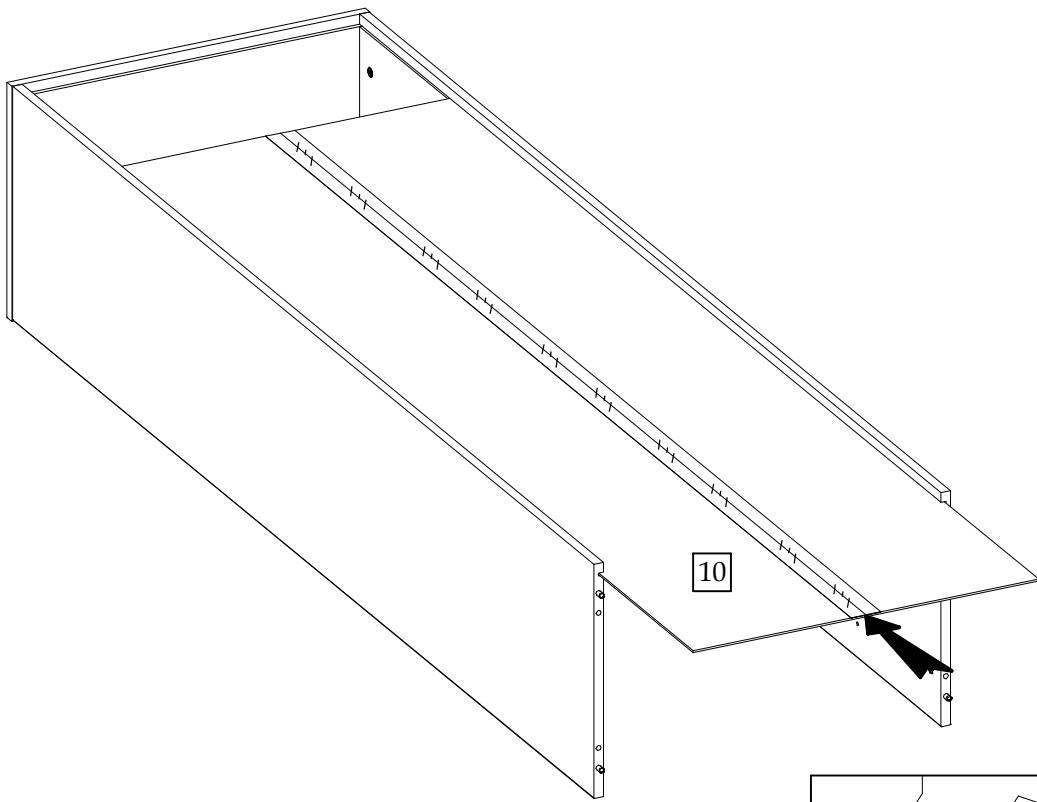
5



6



7



8

