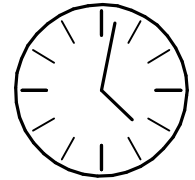
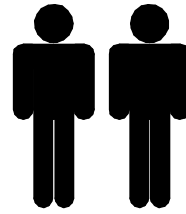
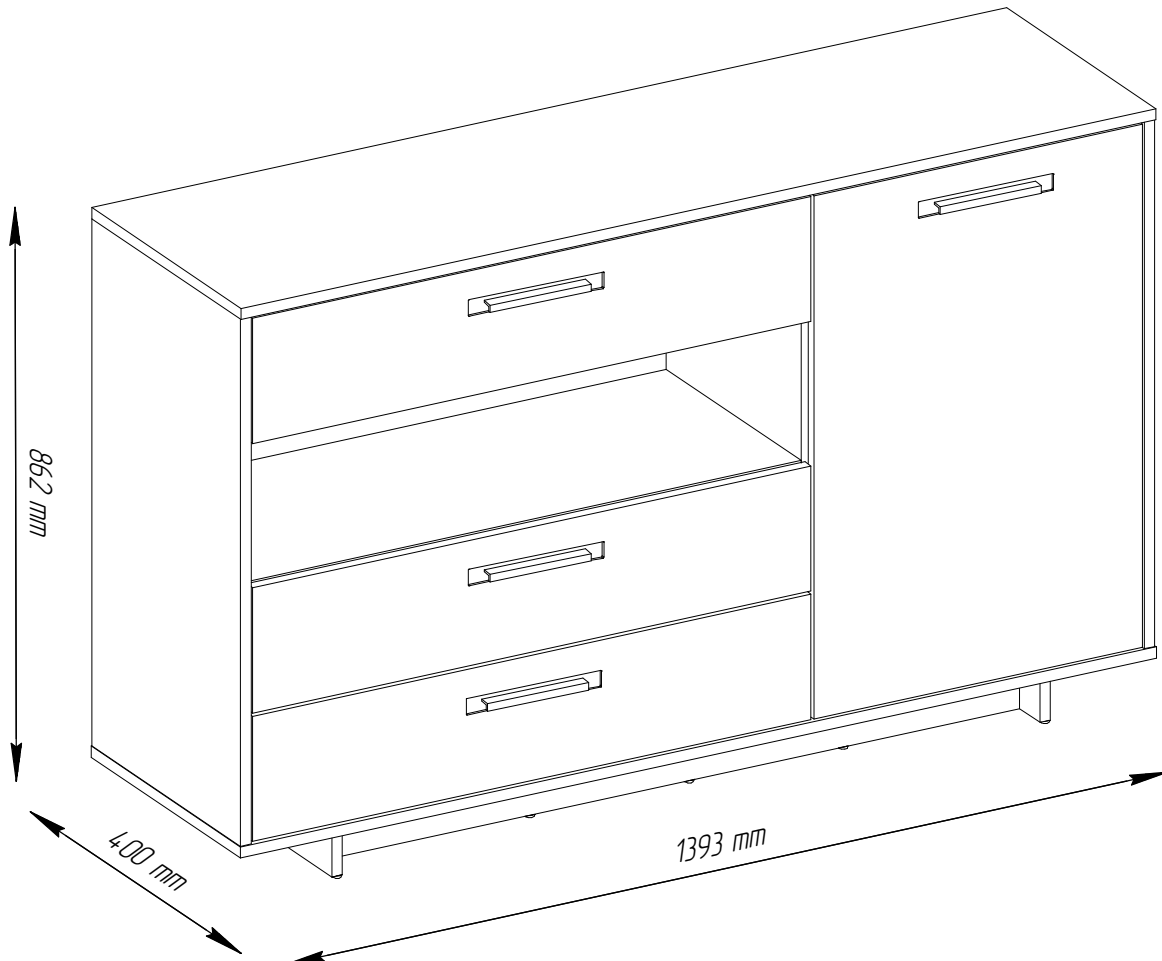


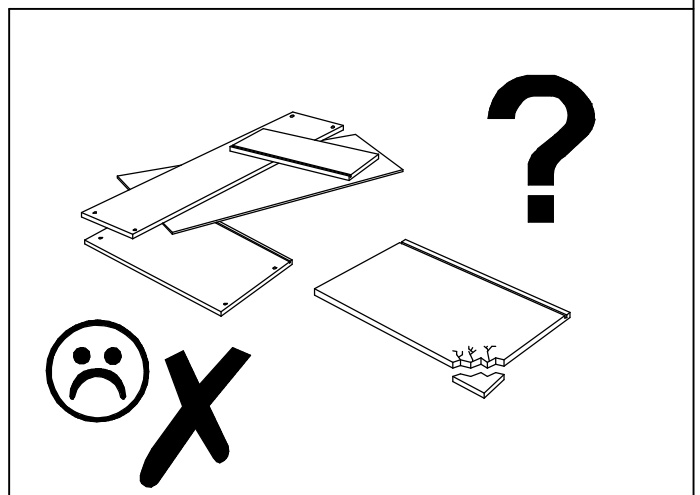
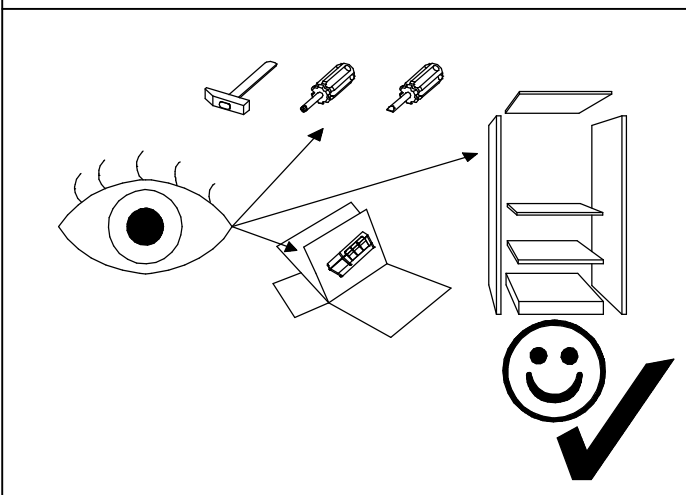
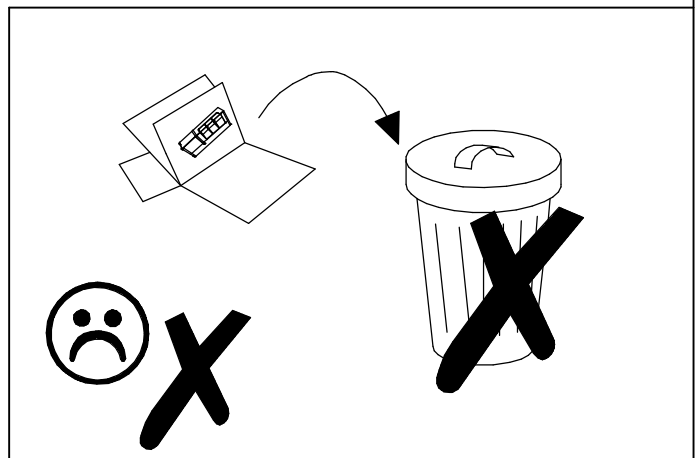
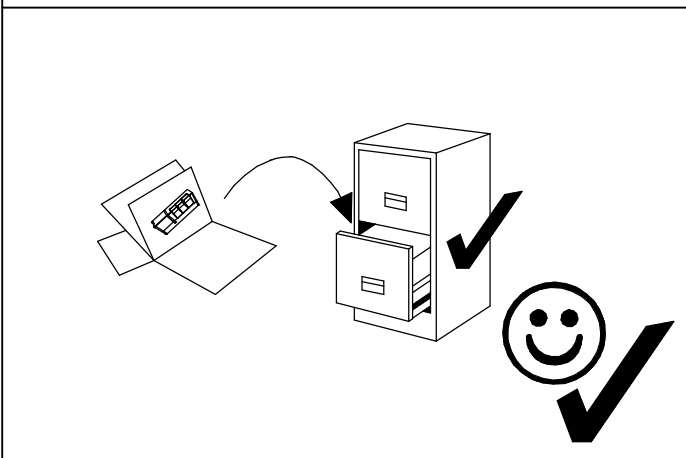
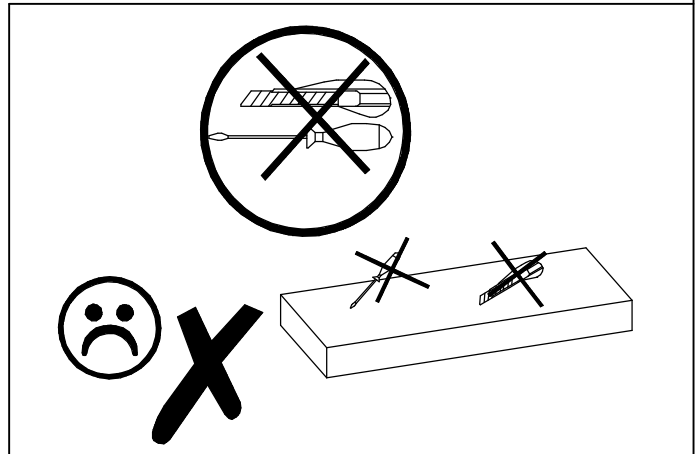
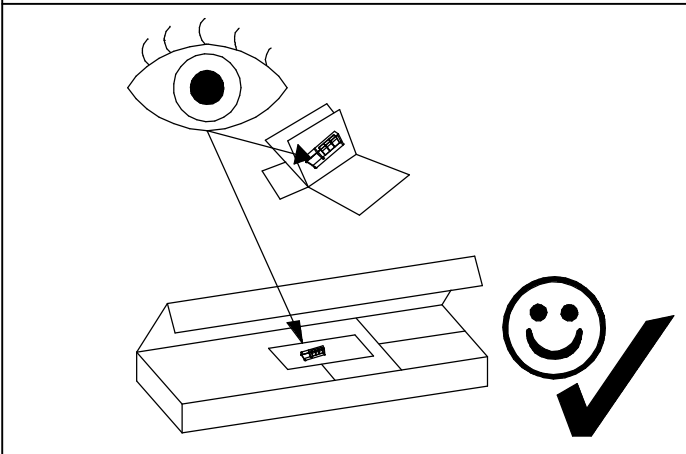
# DELI

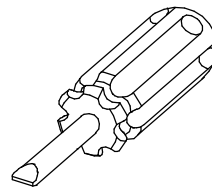
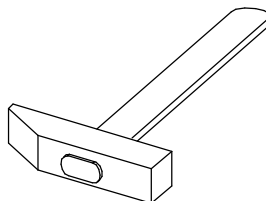
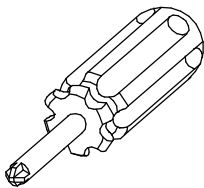
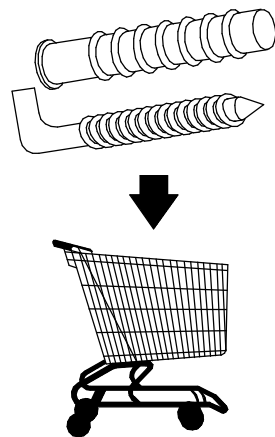
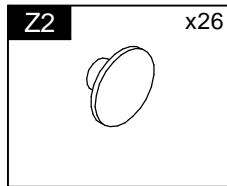
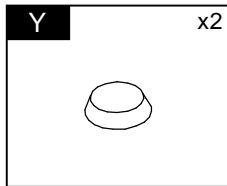
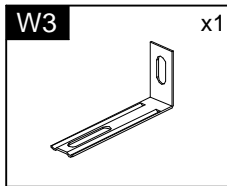
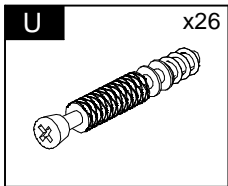
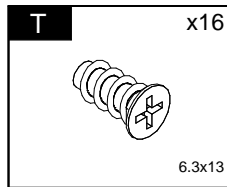
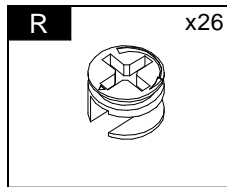
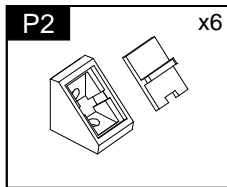
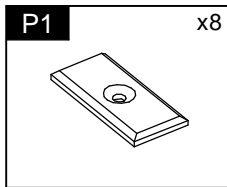
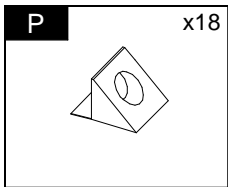
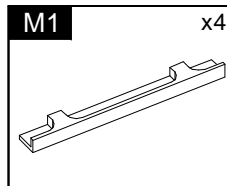
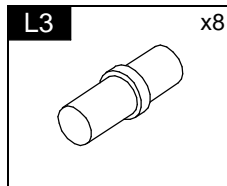
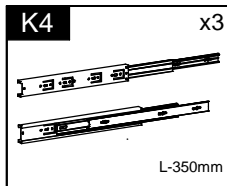
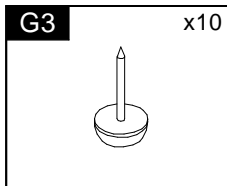
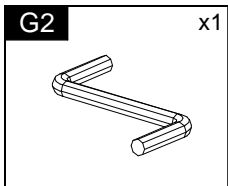
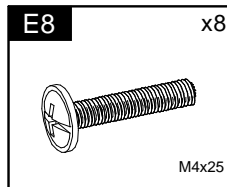
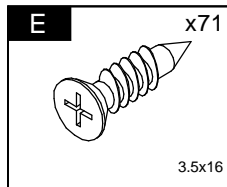
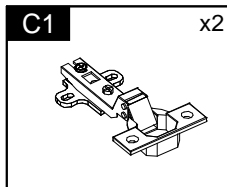
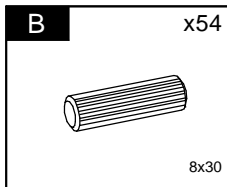
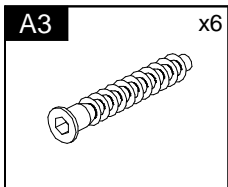
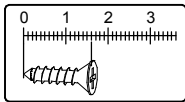
## Typ E

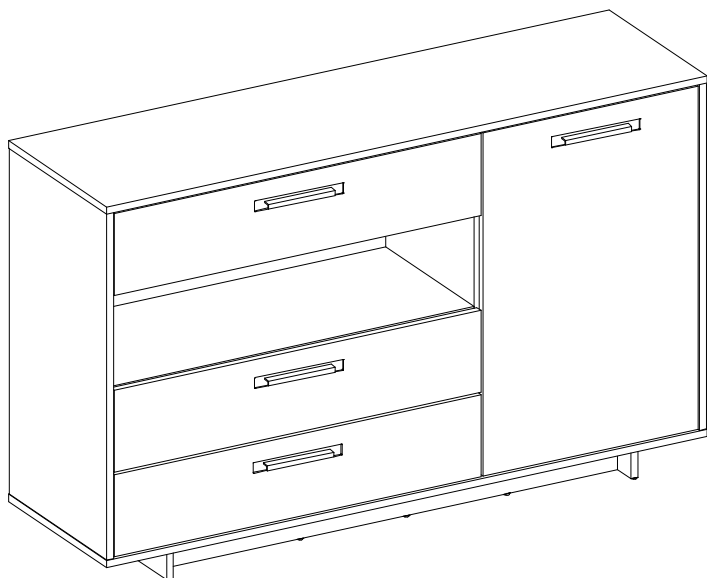


80 min

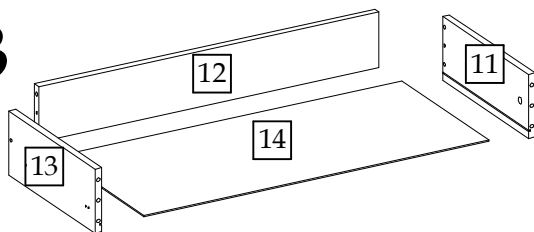




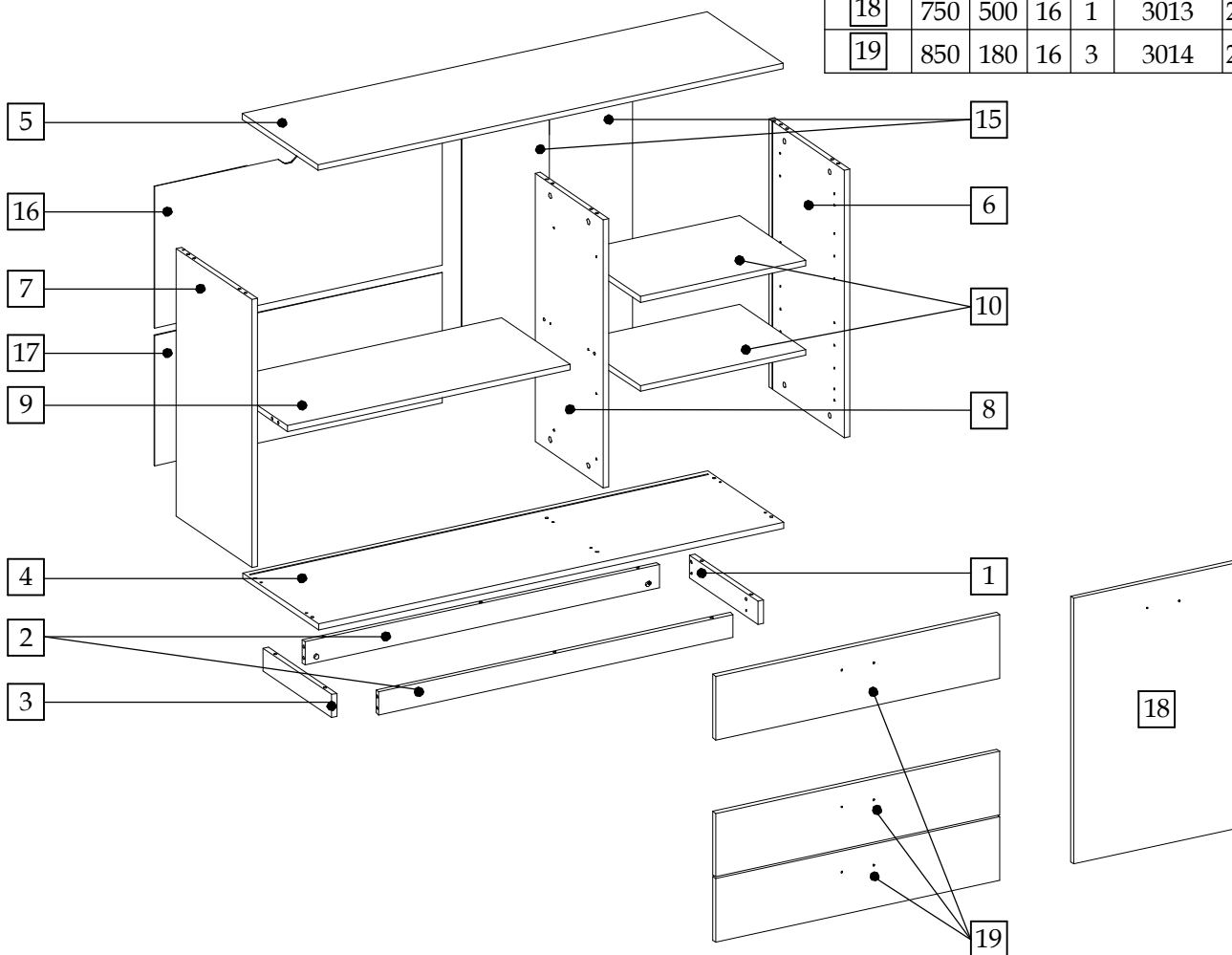


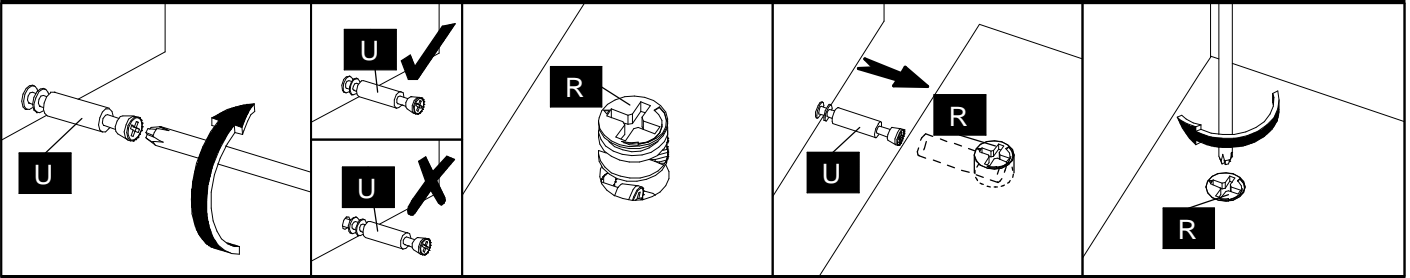


x3

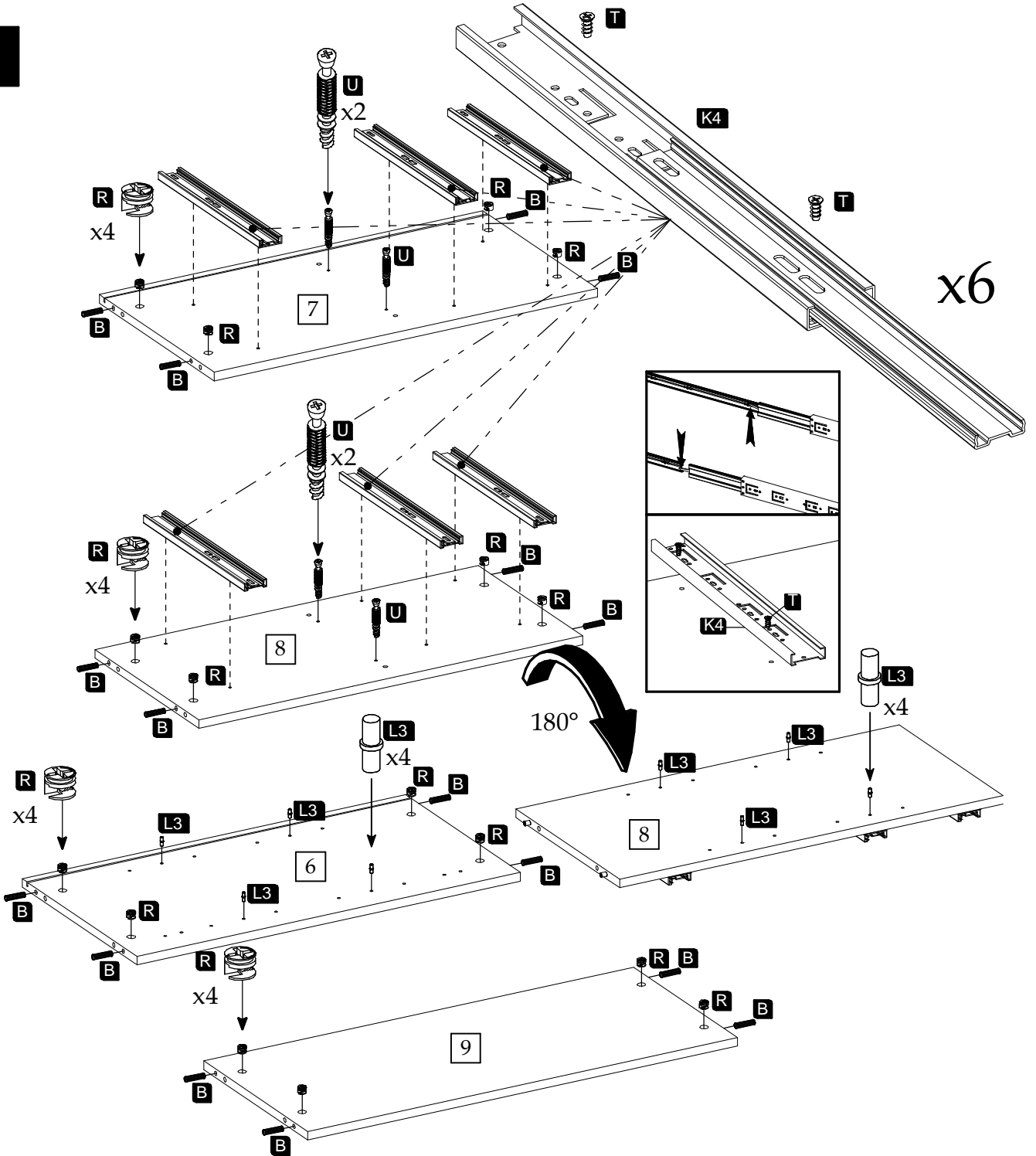


Element symbol	Measurements				Code	Paket
	1	2	3	4		
1	361	65	16	1	1001	1/2
2	1061	65	16	2	1002	1/2
3	361	65	16	1	1003	1/2
4	1393	400	16	1	1005	1/2
5	1393	400	16	1	1006	1/2
6	755	398	16	1	1007	1/2
7	755	398	16	1	1008	1/2
8	755	398	16	1	1009	1/2
9	846.5	360.5	16	1	1011	1/2
10	496	351	16	2	N/A	1/2
11	350.5	140	16	3	1013	1/2
12	789	121.5	16	3	1014	1/2
13	350.5	140	16	3	1015	1/2
14	799	350	3	3	N/A	2/2
15	769	255	3	2	N/A	2/2
16	861	400	3	1	1010	1/2
17	861	368	3	1	N/A	1/2
18	750	500	16	1	3013	2/2
19	850	180	16	3	3014	2/2

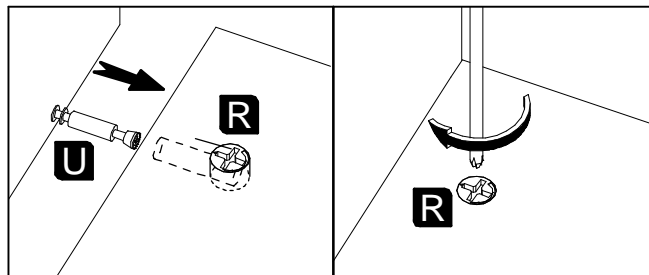
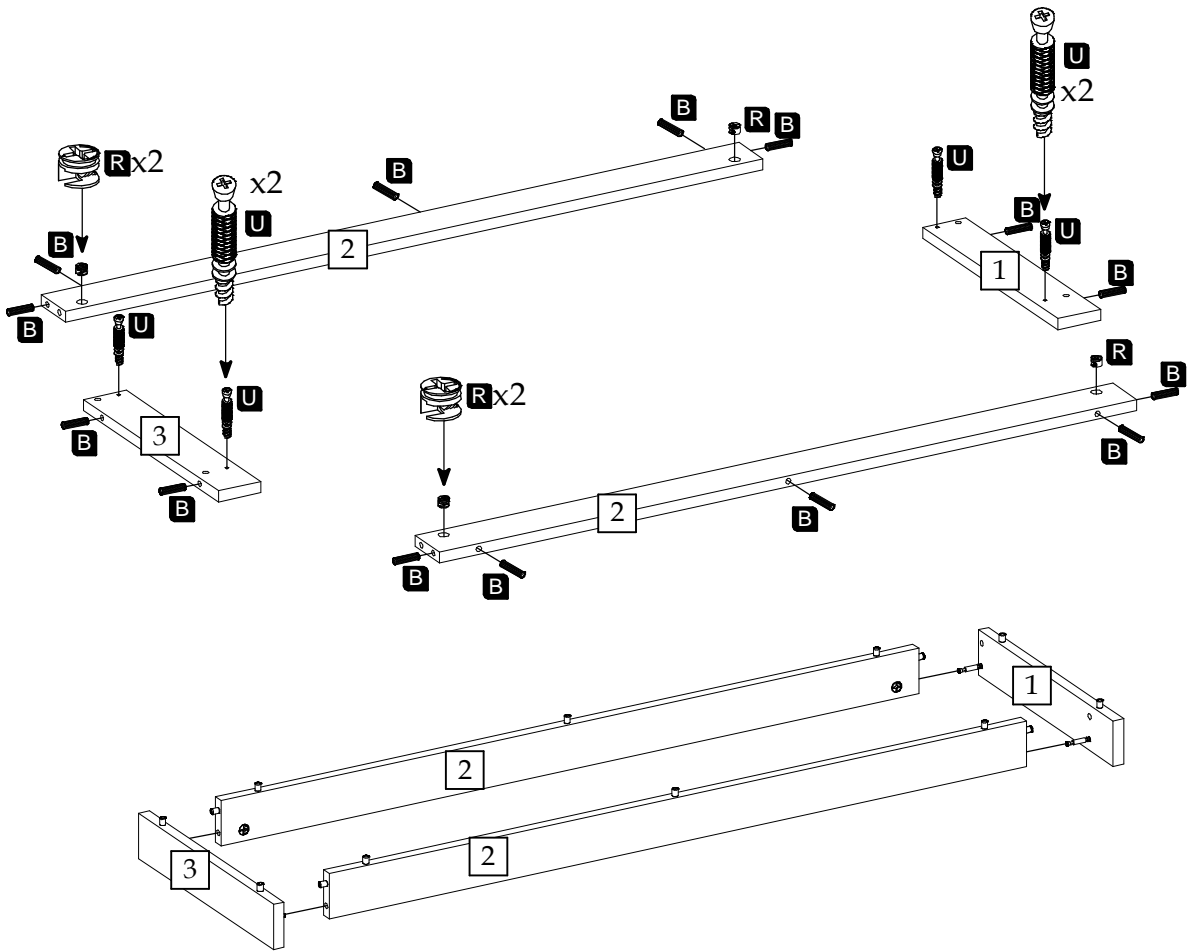
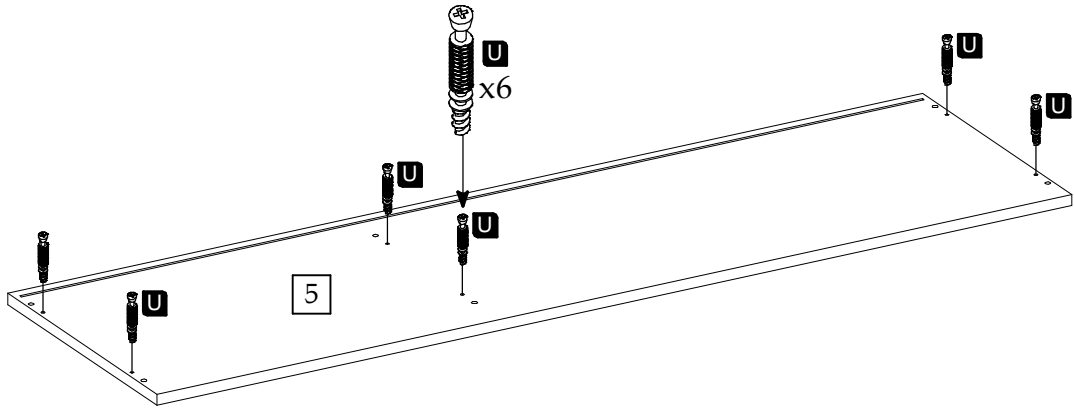


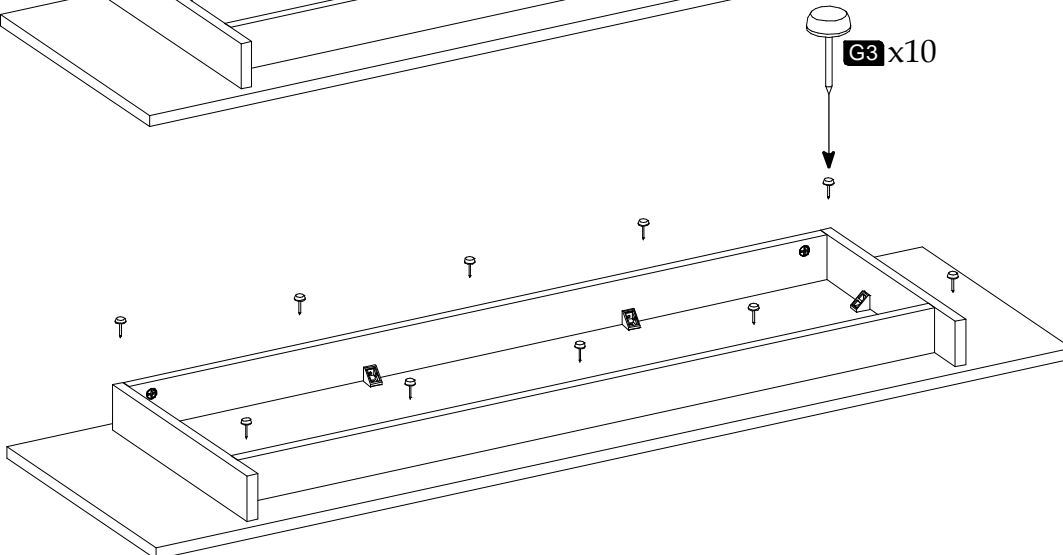
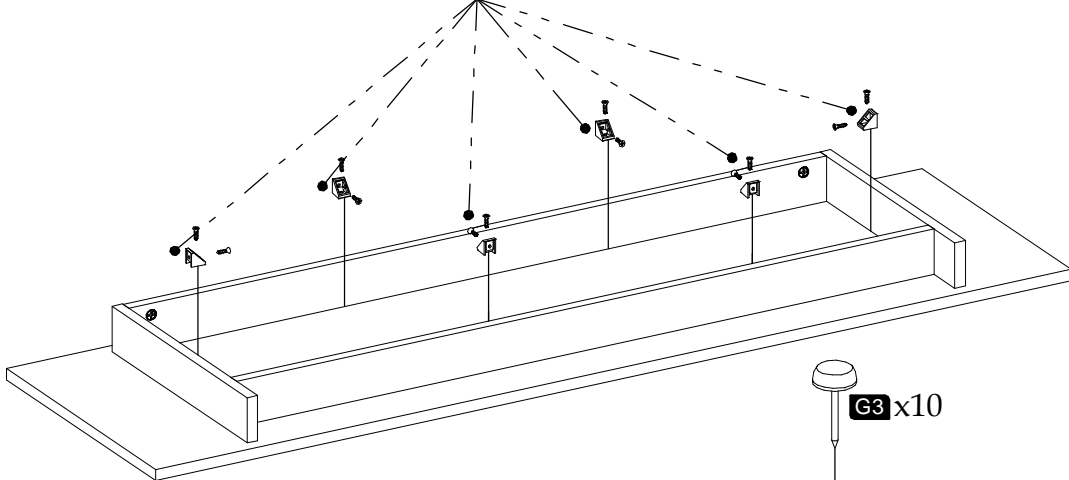
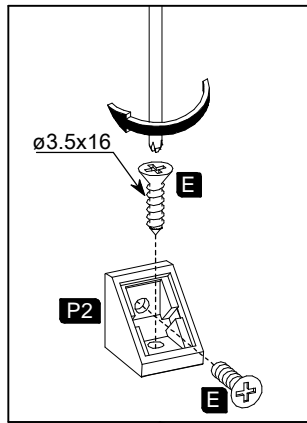
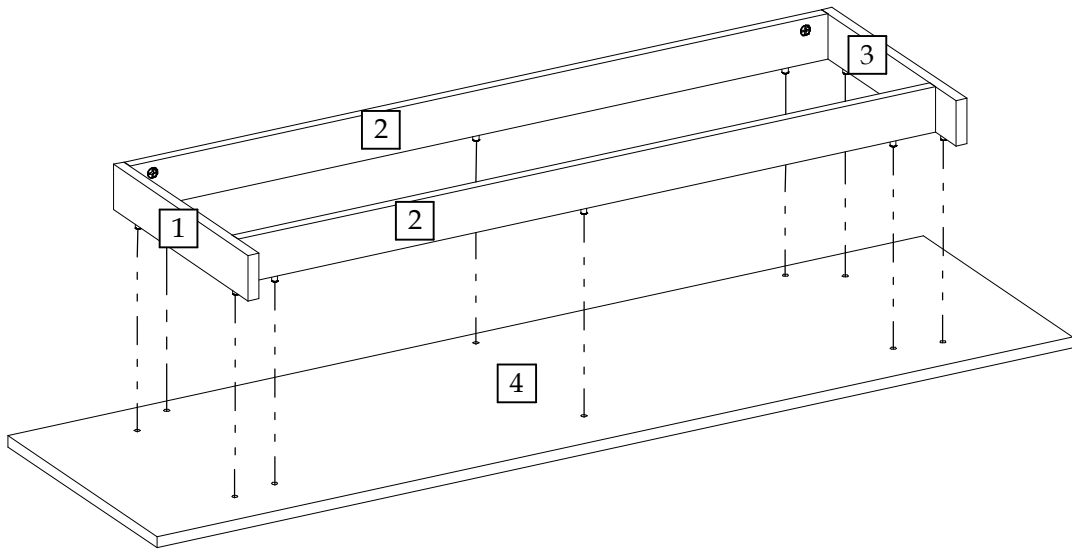


1

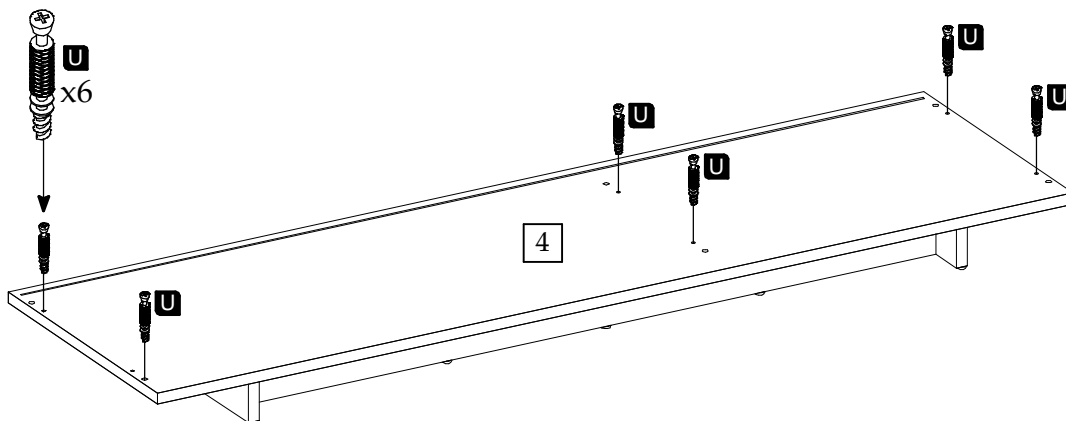


2

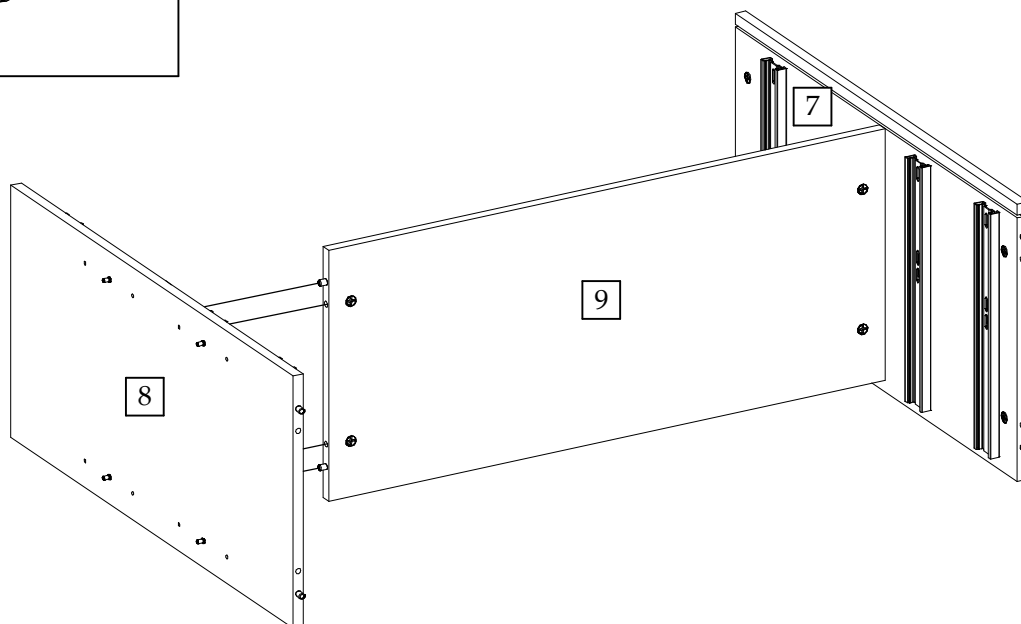
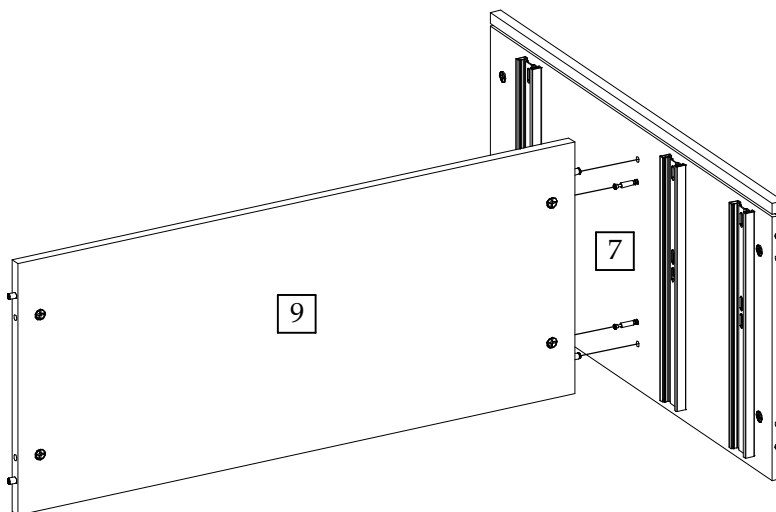
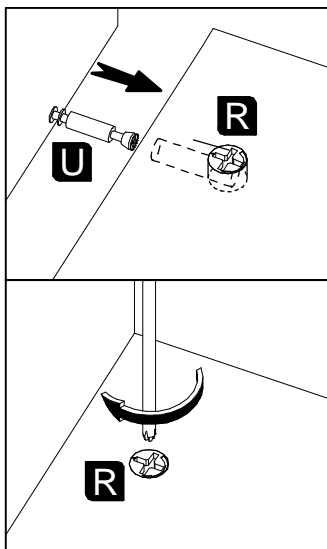




3

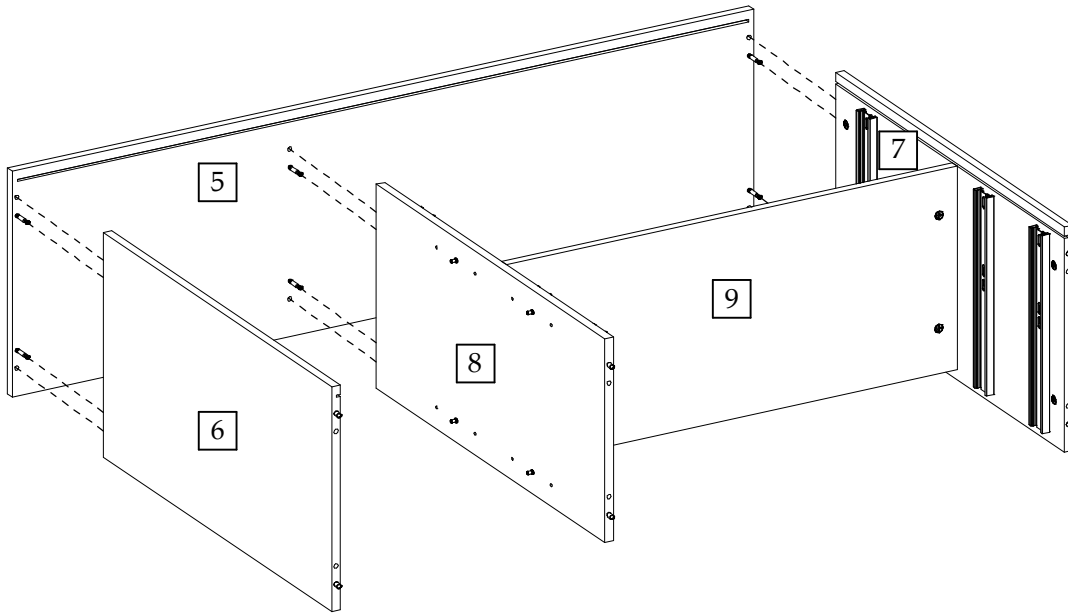


4

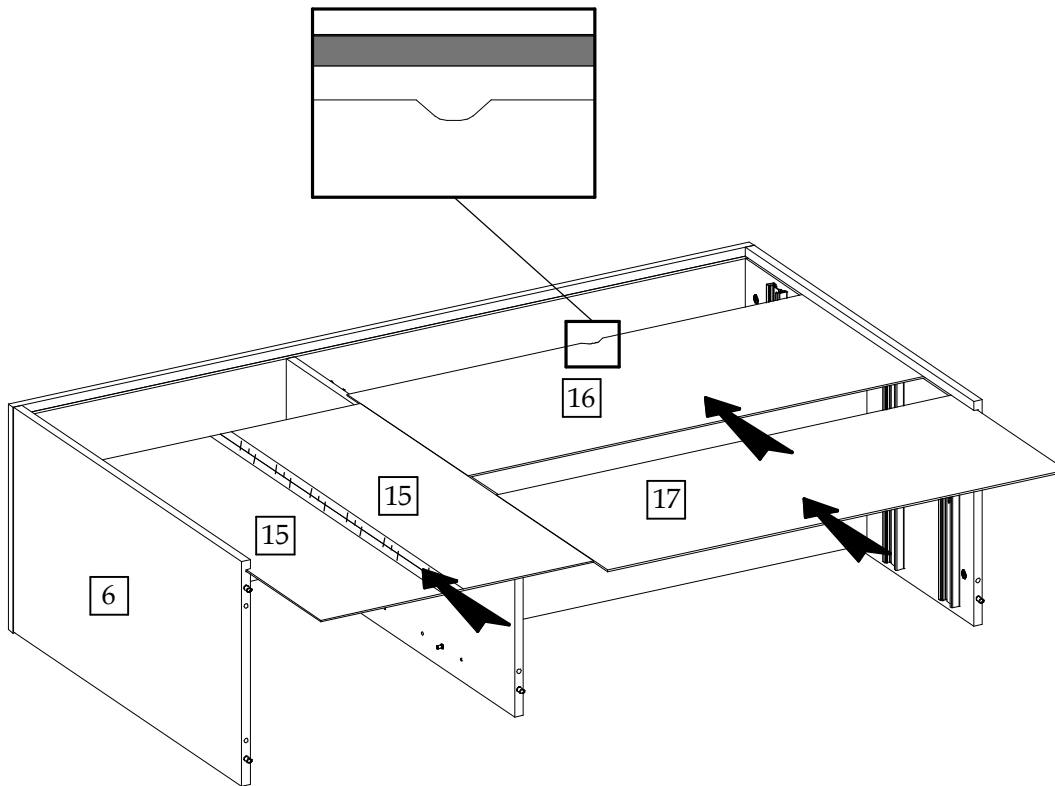




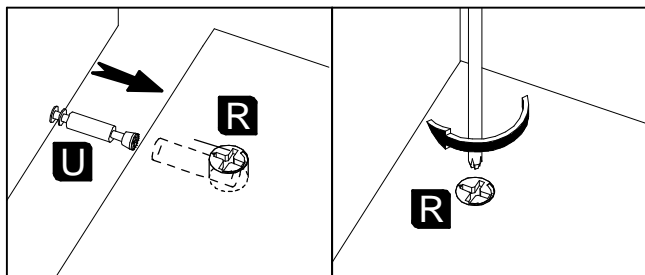
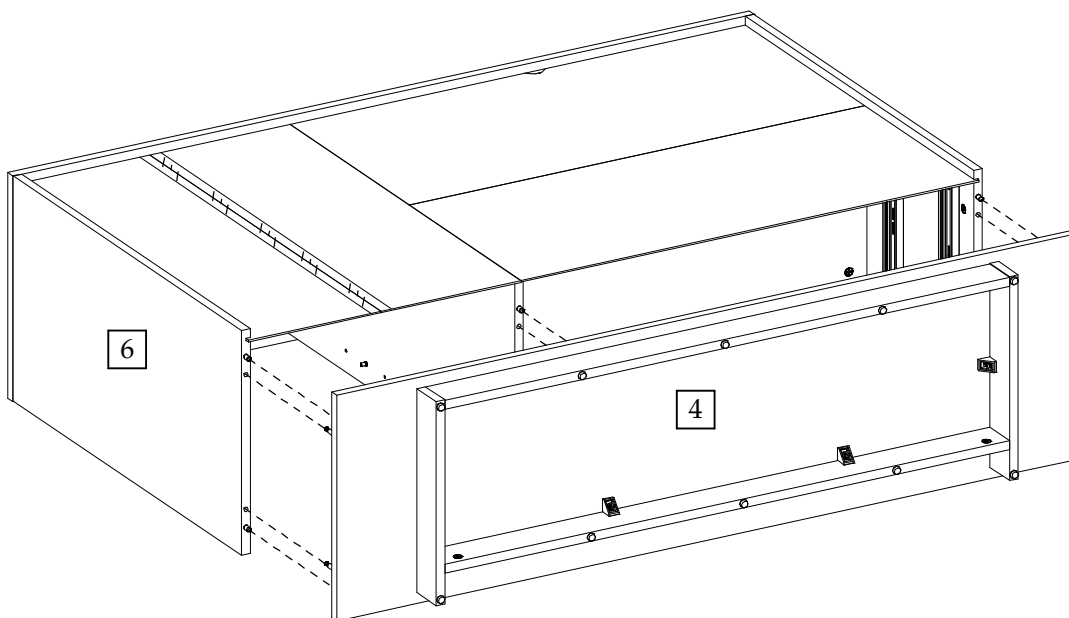
5



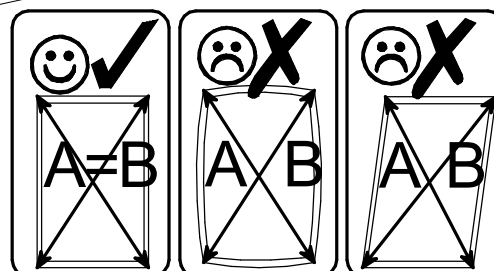
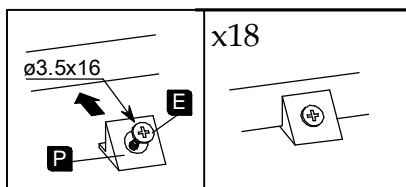
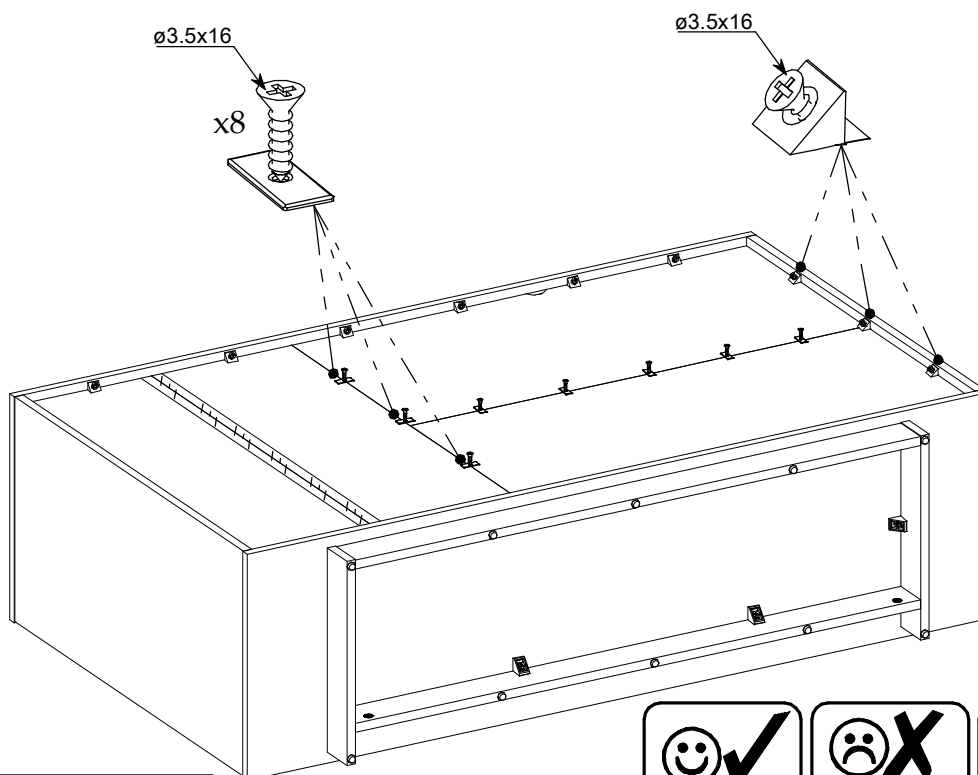
6

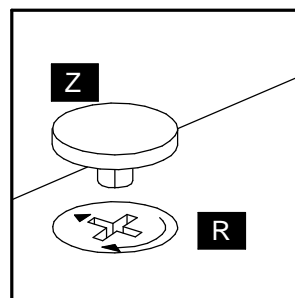
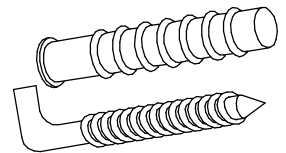
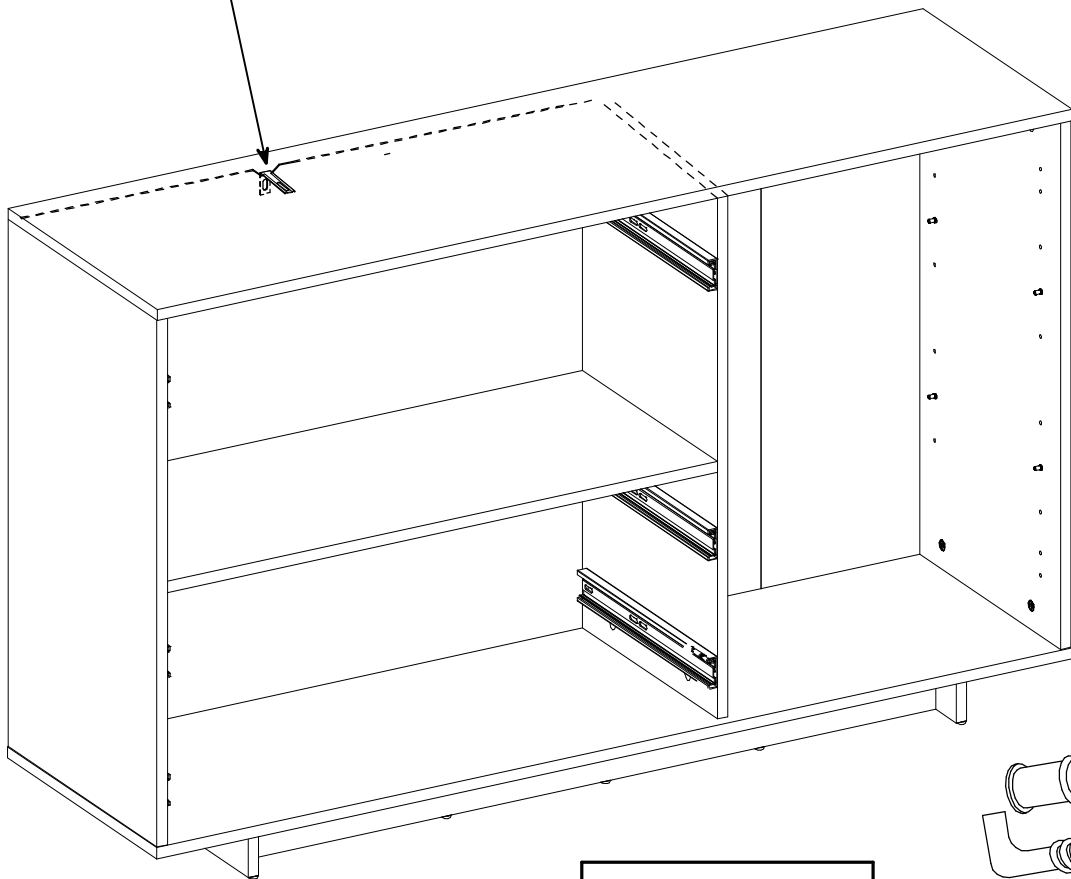
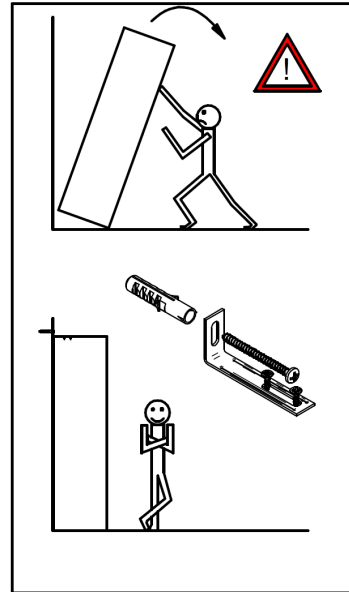
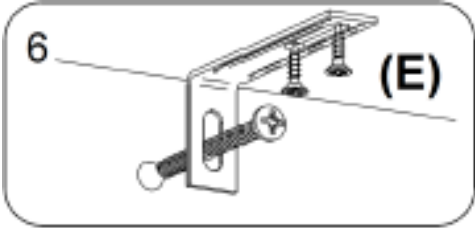
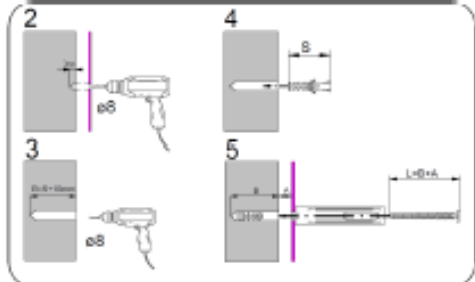
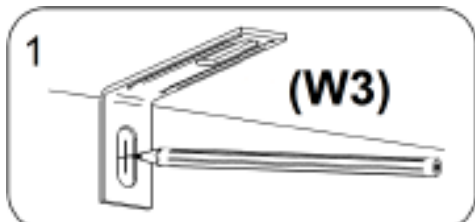


7

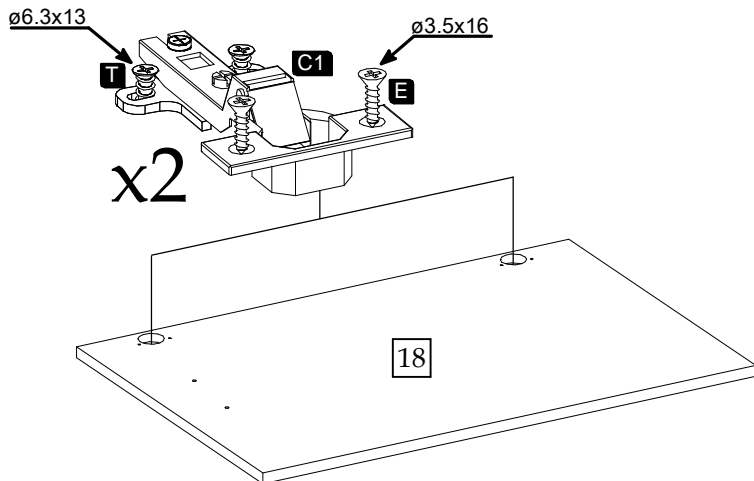


8





10



11

