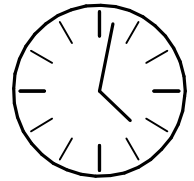
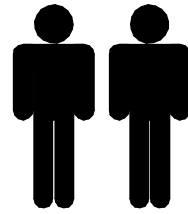
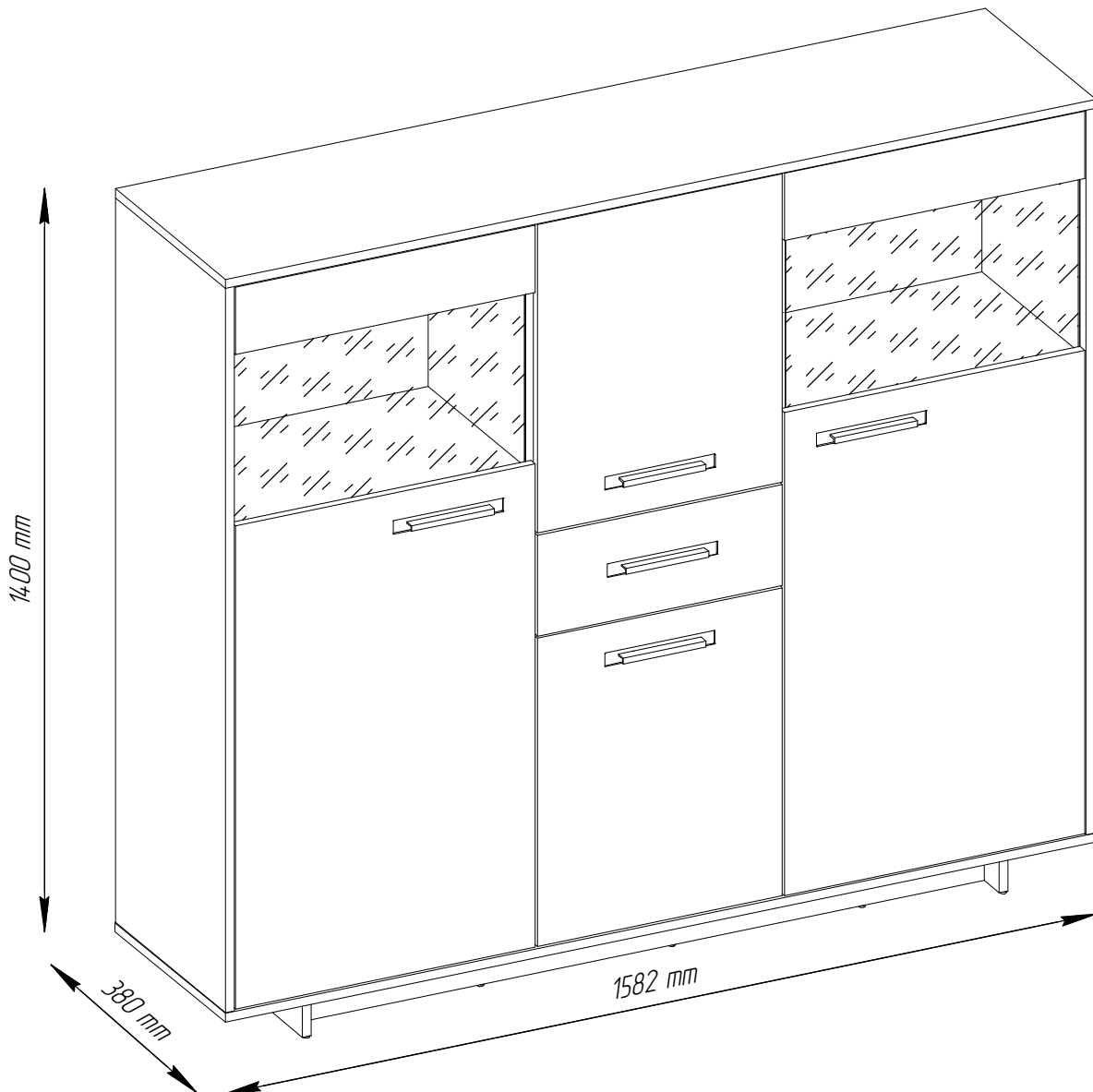


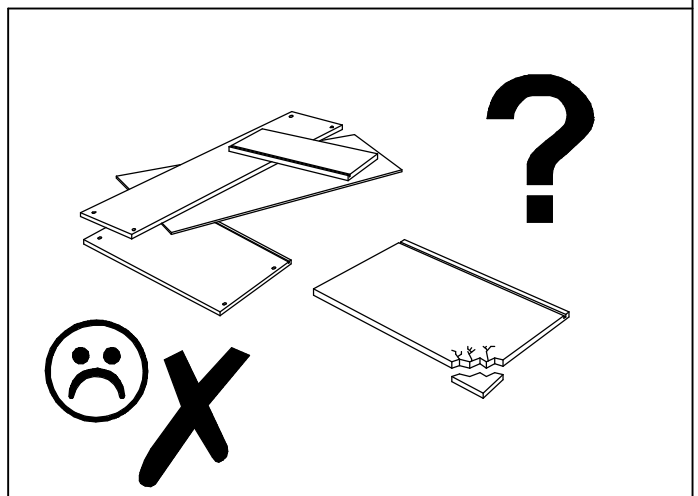
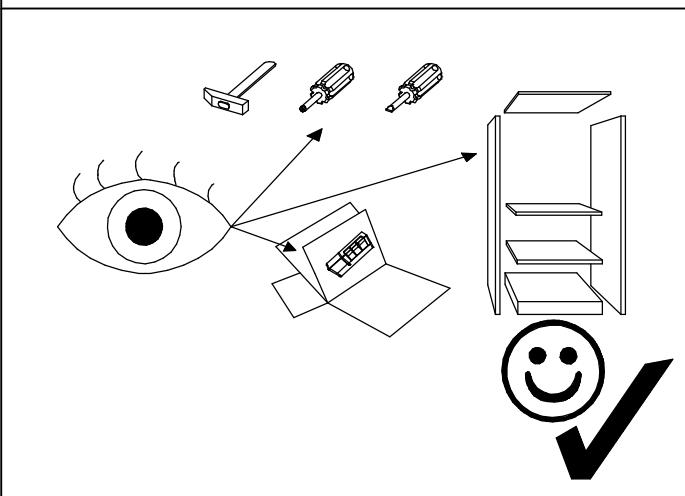
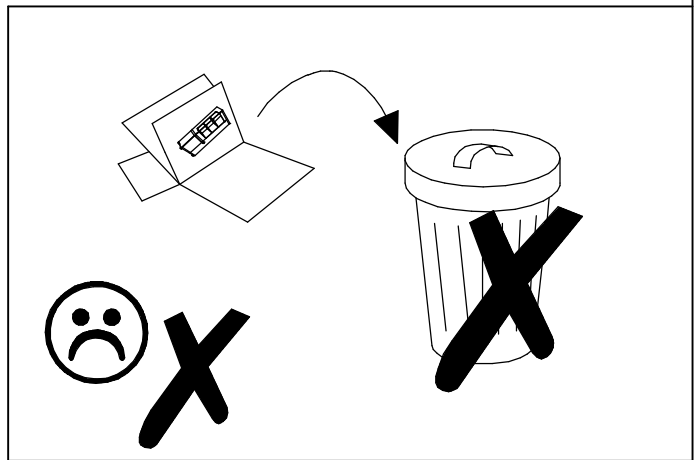
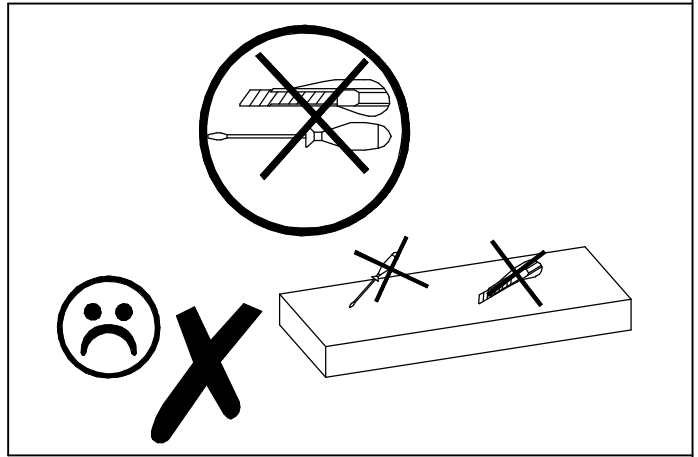
# DELI

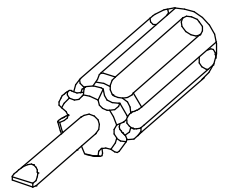
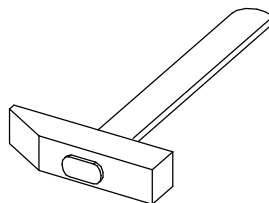
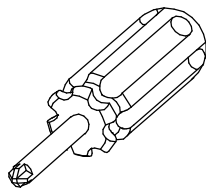
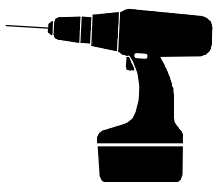
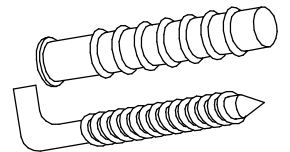
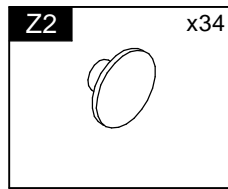
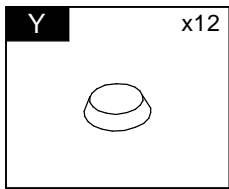
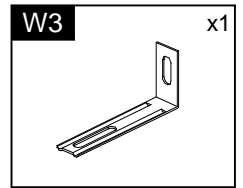
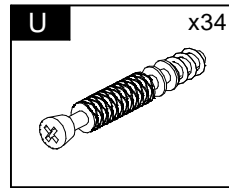
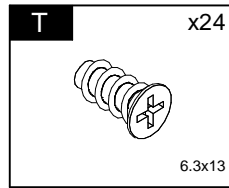
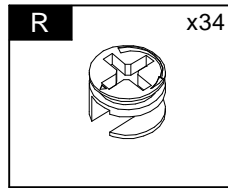
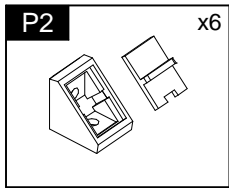
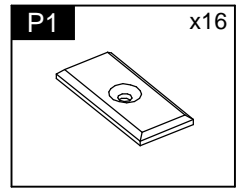
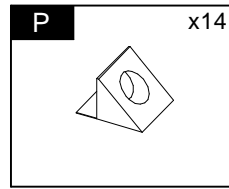
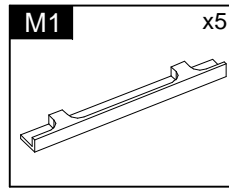
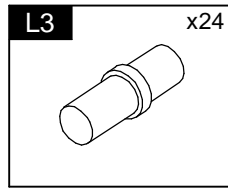
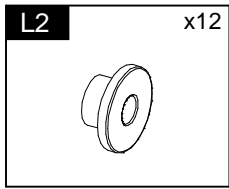
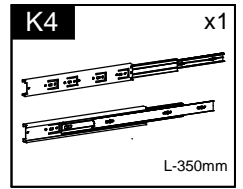
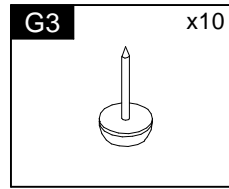
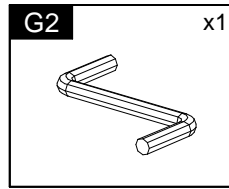
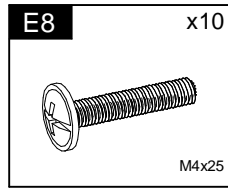
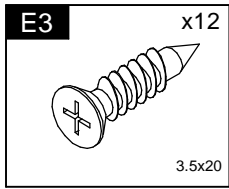
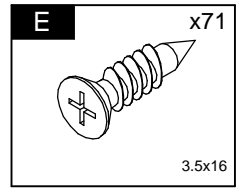
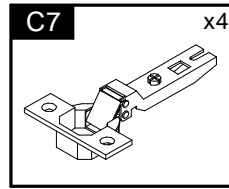
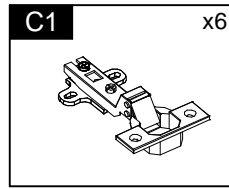
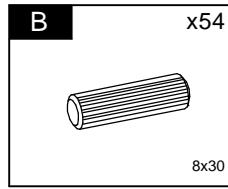
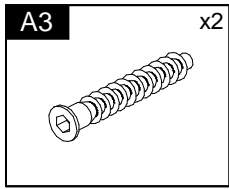
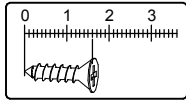
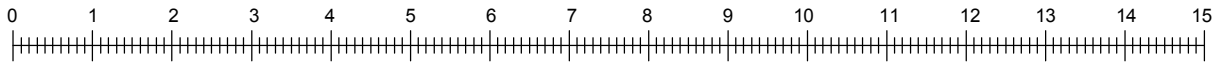
## Typ K



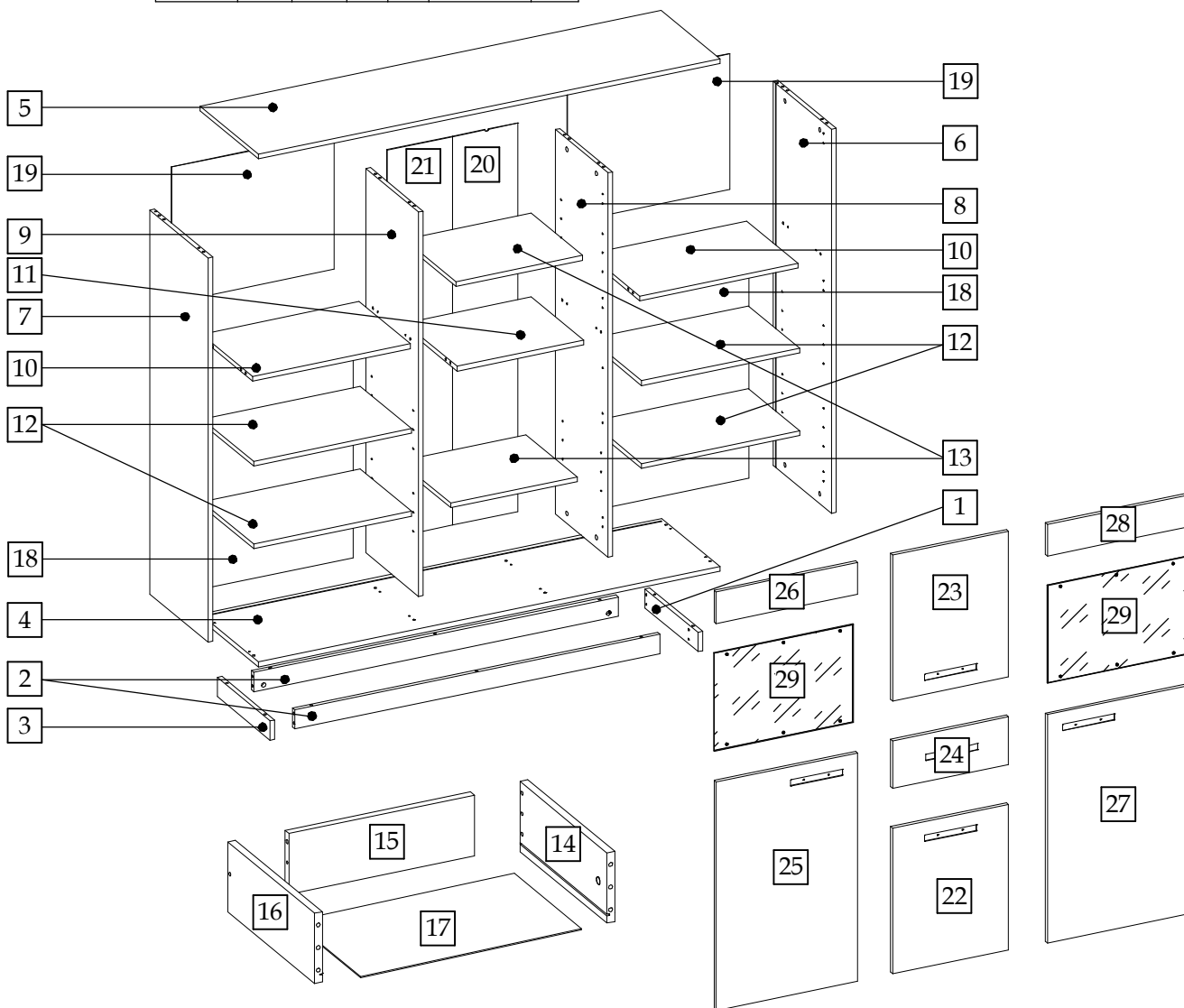
90 min

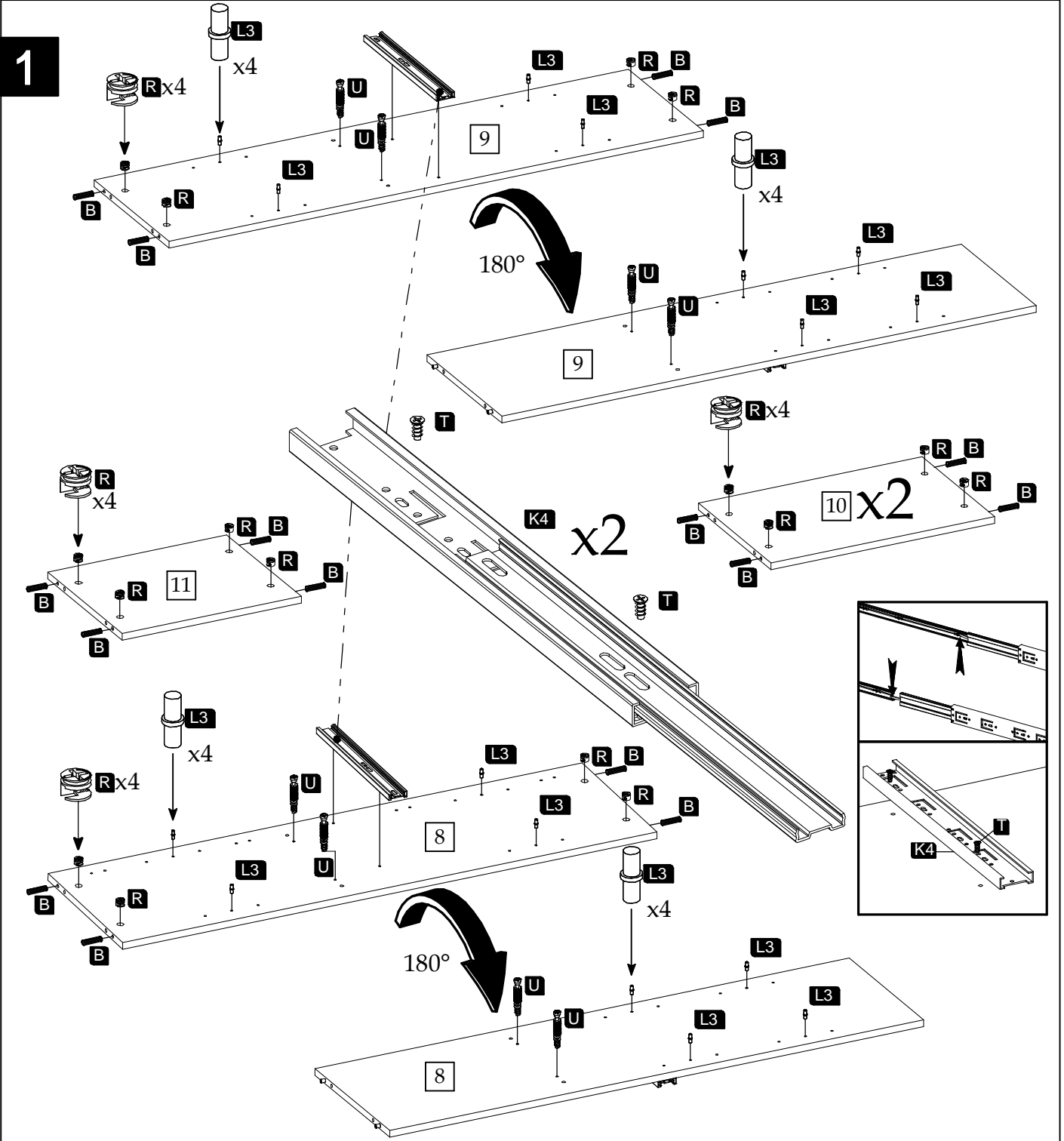


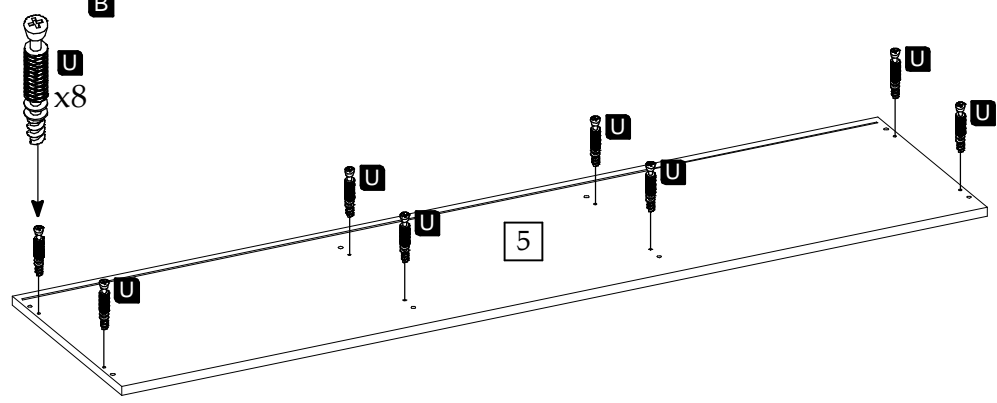
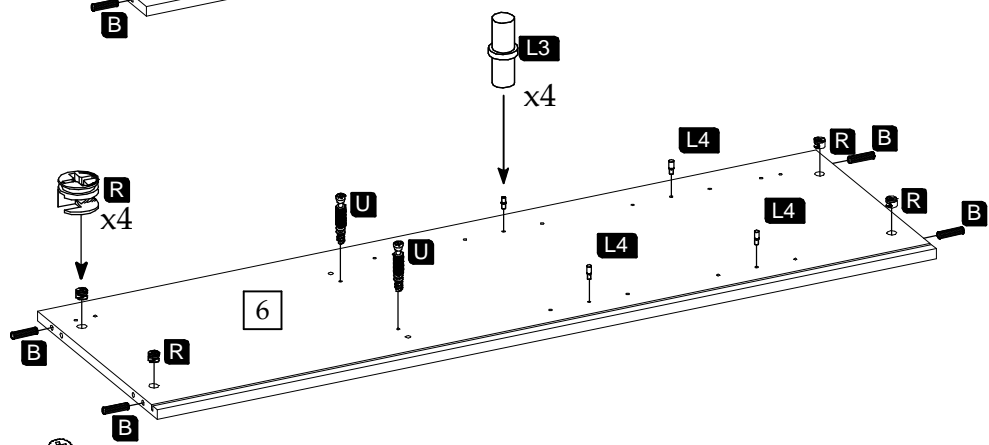
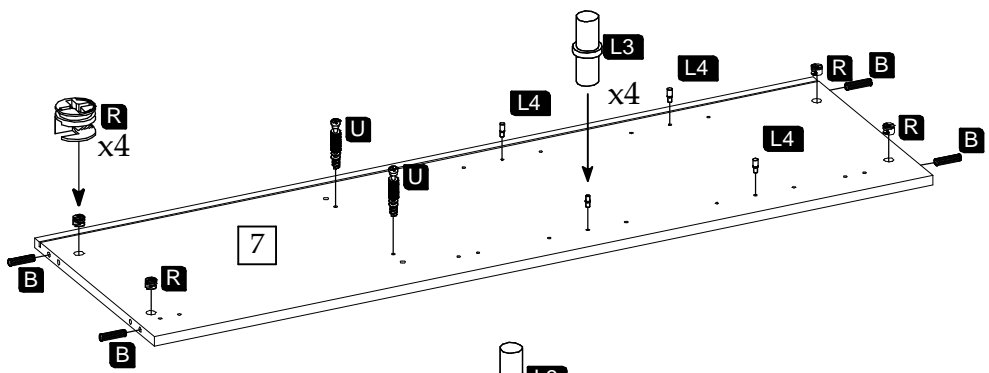




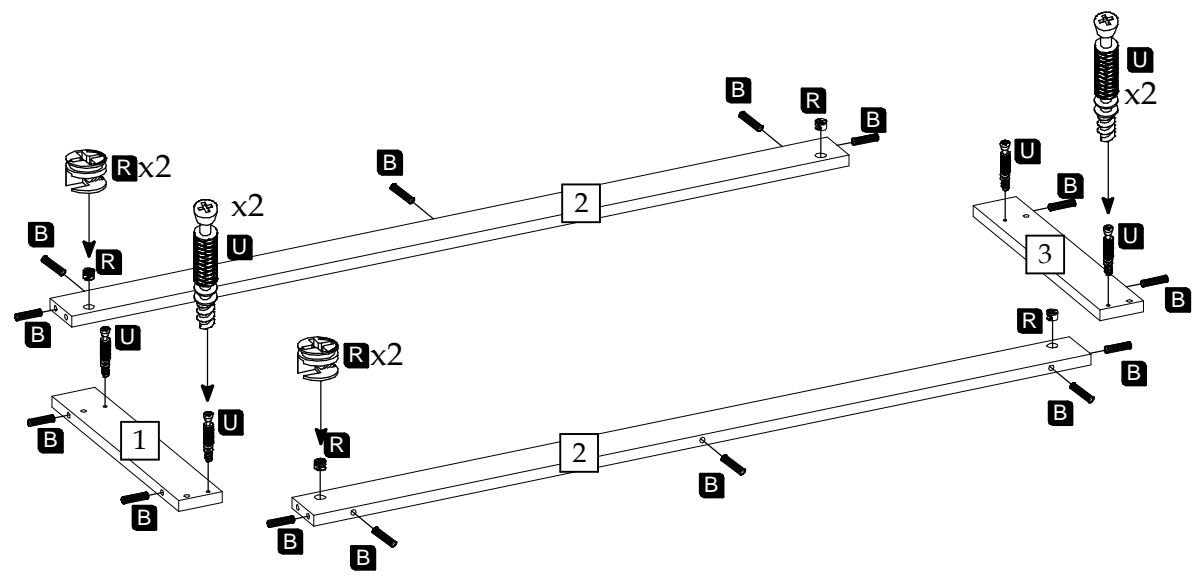
Element symbol	Measurements				Code	Paket	Element symbol	Measurements				Code	Paket
1	361	65	16	1	1001	2/4	16	350.5	140	16	1	1038	2/4
2	1250	65	16	2	1002	1/4	17	385.5	355	3	1	N/A	1/4
3	361	65	16	1	1003	2/4	18	850	556.5	3	2	N/A	3/4
4	1582	400	16	1	1005	1/4	19	457	556.5	3	2	N/A	3/4
5	1582	400	16	1	1006	1/4	20	1307	224	3	1	1011	1/4
6	1293	398	16	1	1007	2/4	21	1307	224	3	1	N/A	1/4
7	1293	398	16	1	1008	2/4	22	552	447	16	1	3001	3/4
8	1293	361	16	1	1009	2/4	23	552	447	16	1	3002	3/4
9	1293	361	16	1	1010	2/4	24	447	182	16	1	3003	3/4
10	541.5	351	16	2	1011	1/4	25	864	547	16	1	3004	3/4
11	433	360.5	16	1	1012	2/4	26	547	122	16	1	3005	3/4
12	541	350	16	4	N/A	1/4	27	864	547	16	1	3006	3/4
13	433	350	16	2	N/A	1/4	28	547	122	16	1	3007	3/4
14	350.5	140	16	1	1036	2/4	29	536	370	4	2	GLASS	4/4
15	375.5	121	16	1	1037	2/4							

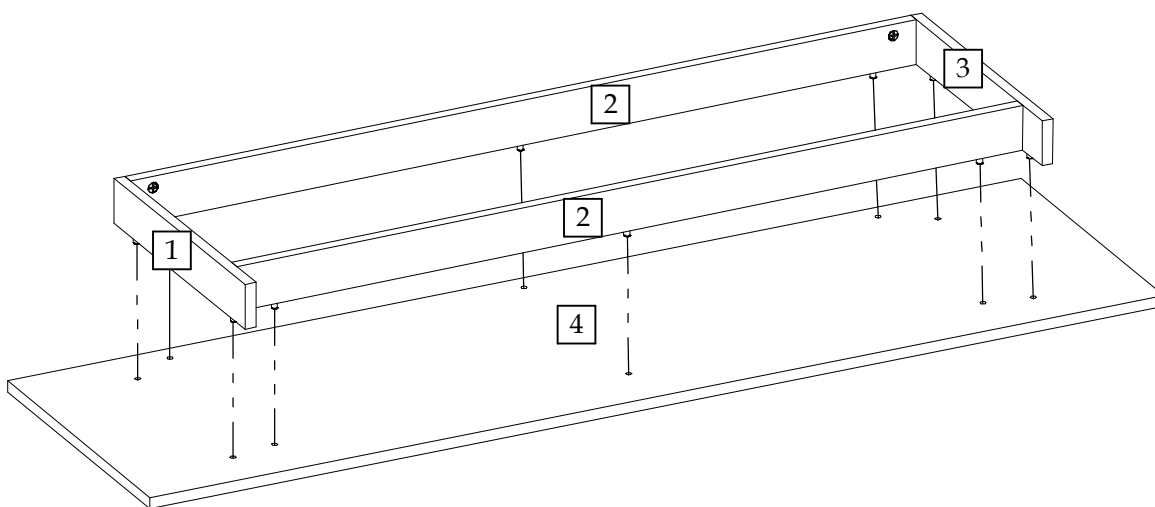
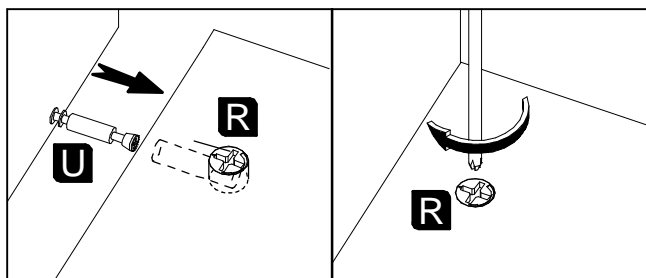
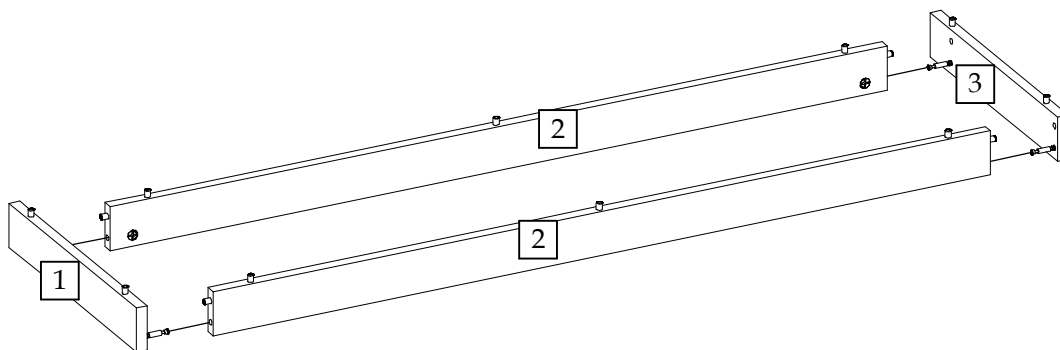






2

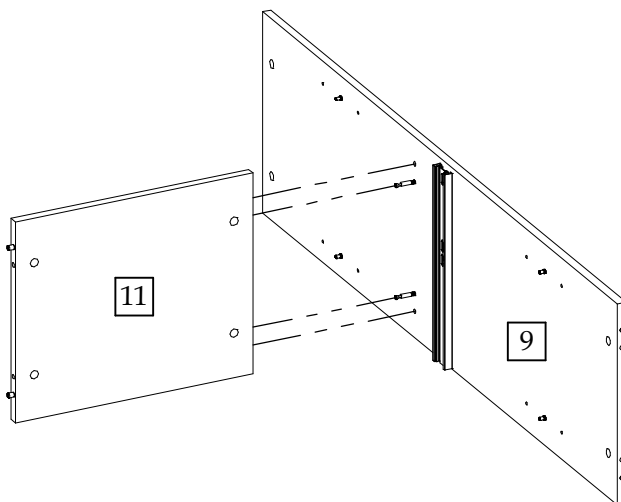




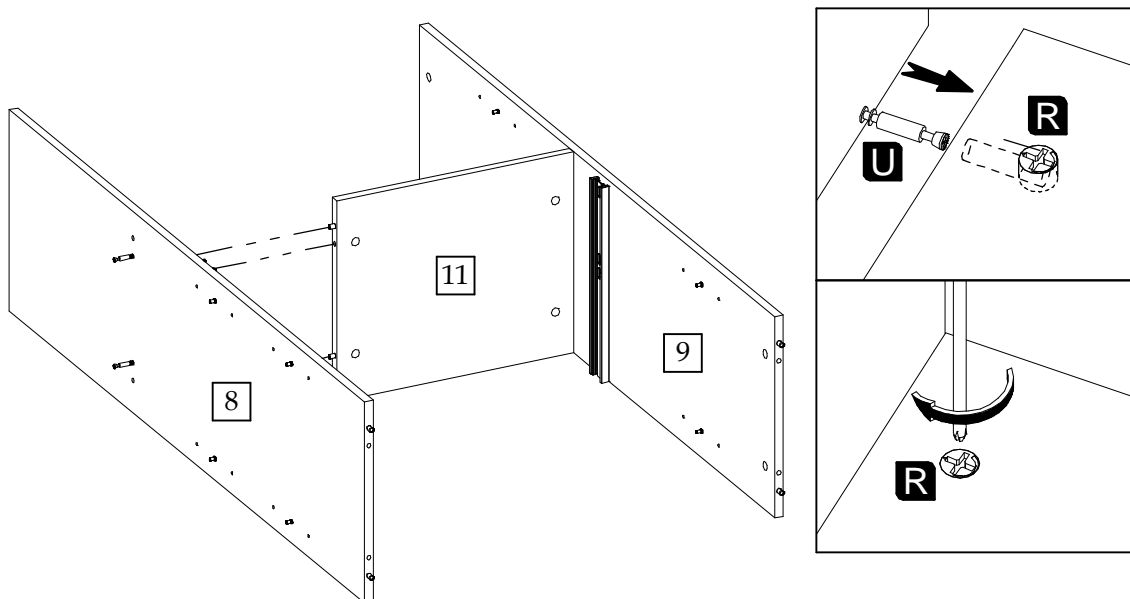




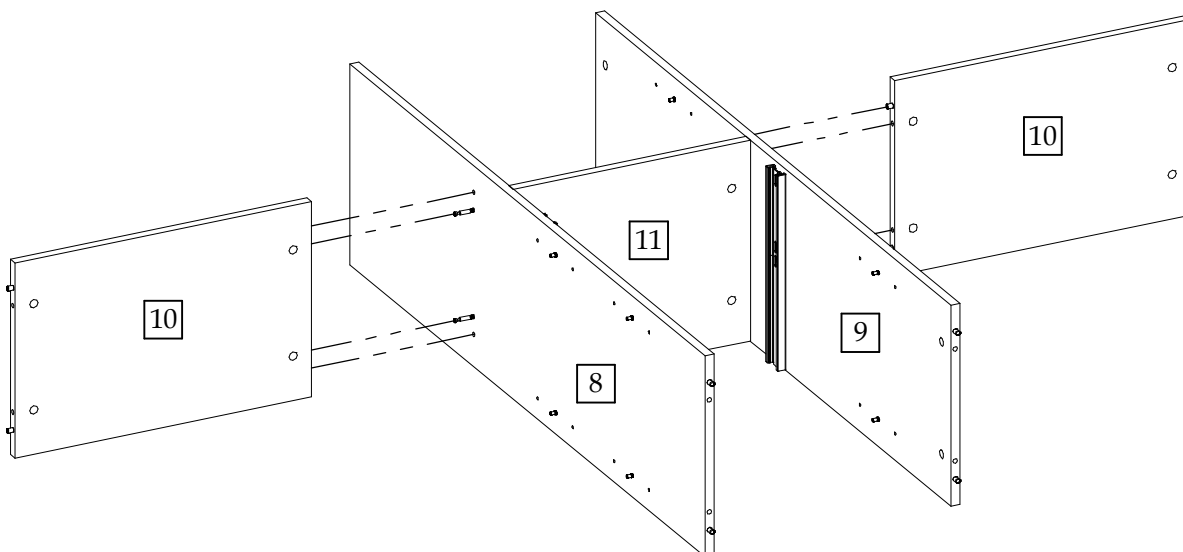
4



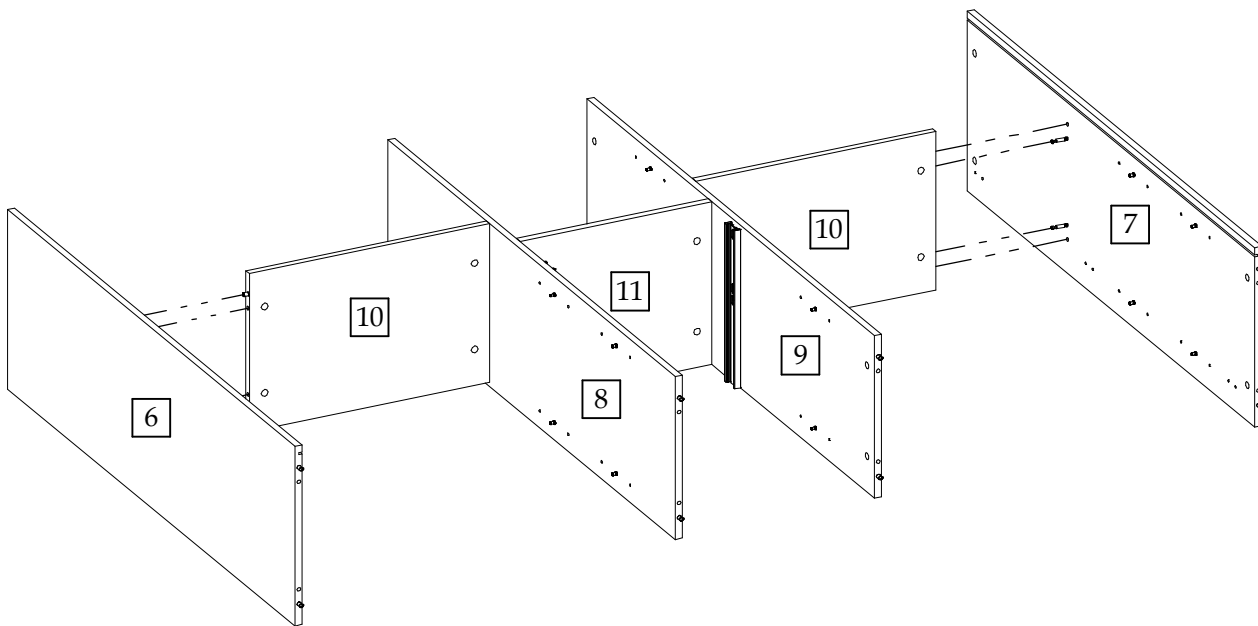
5



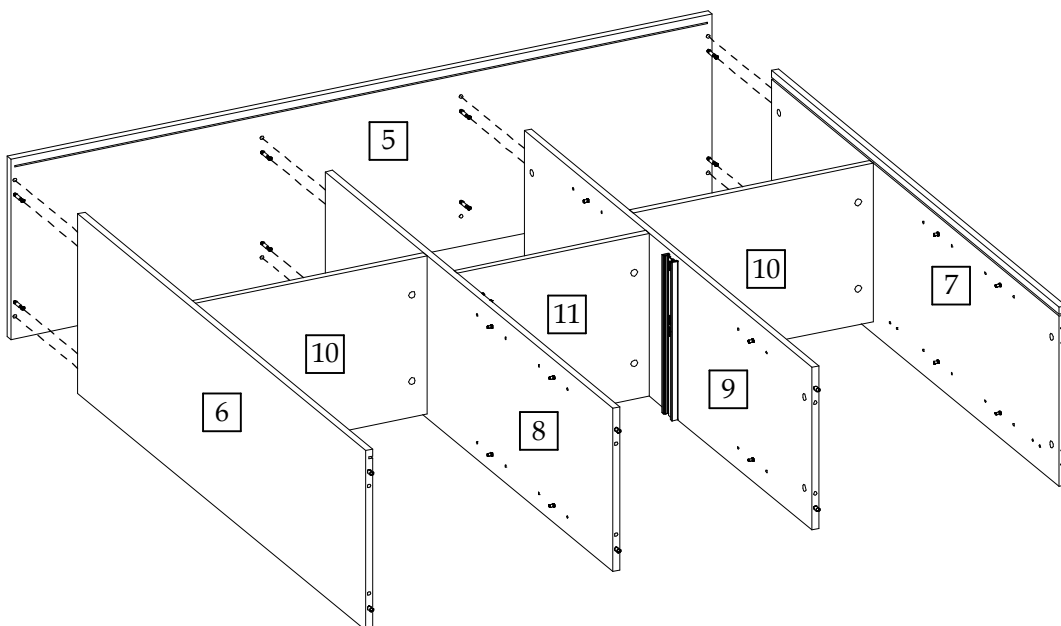
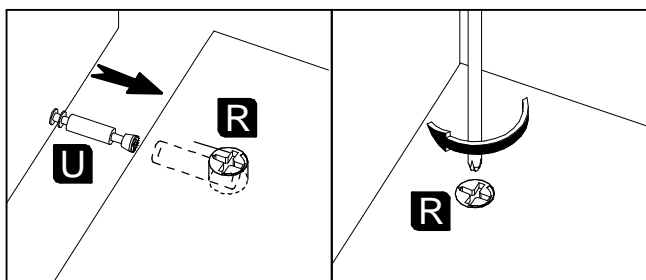
6



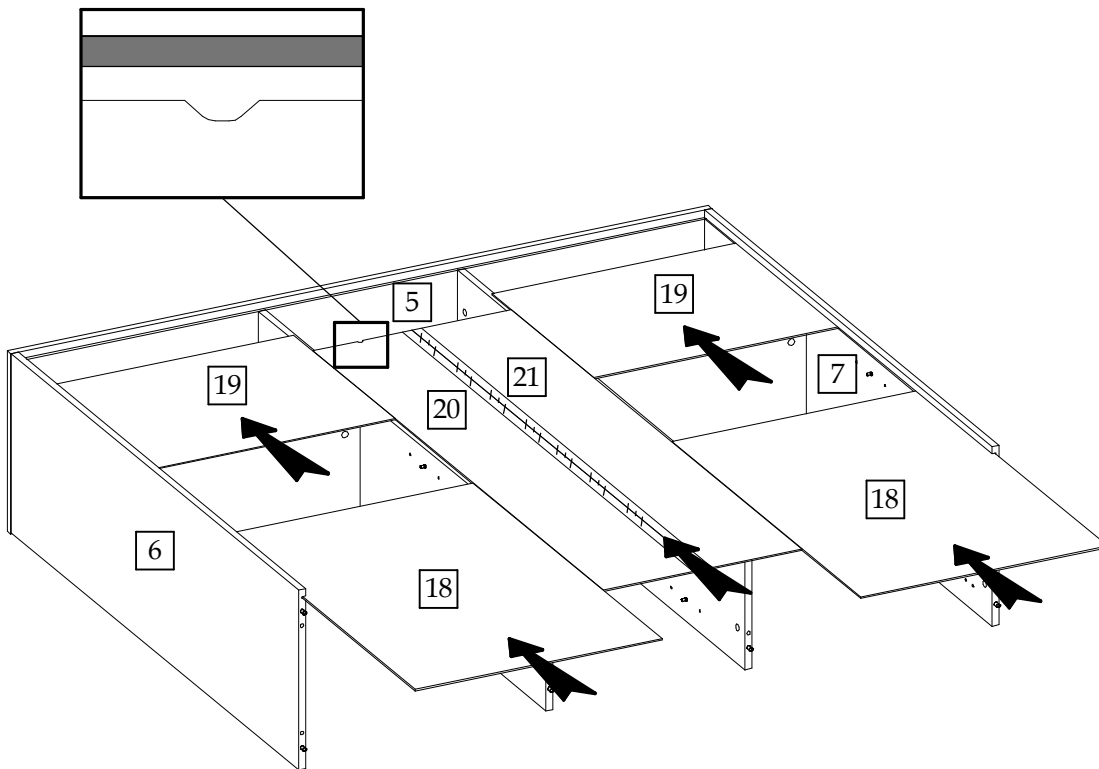
7



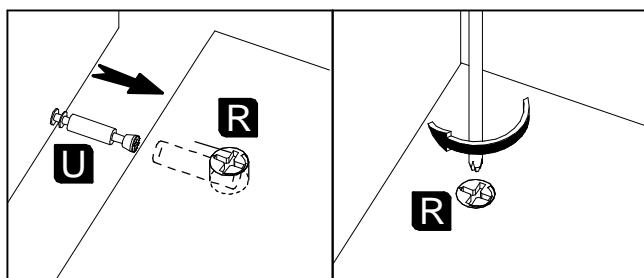
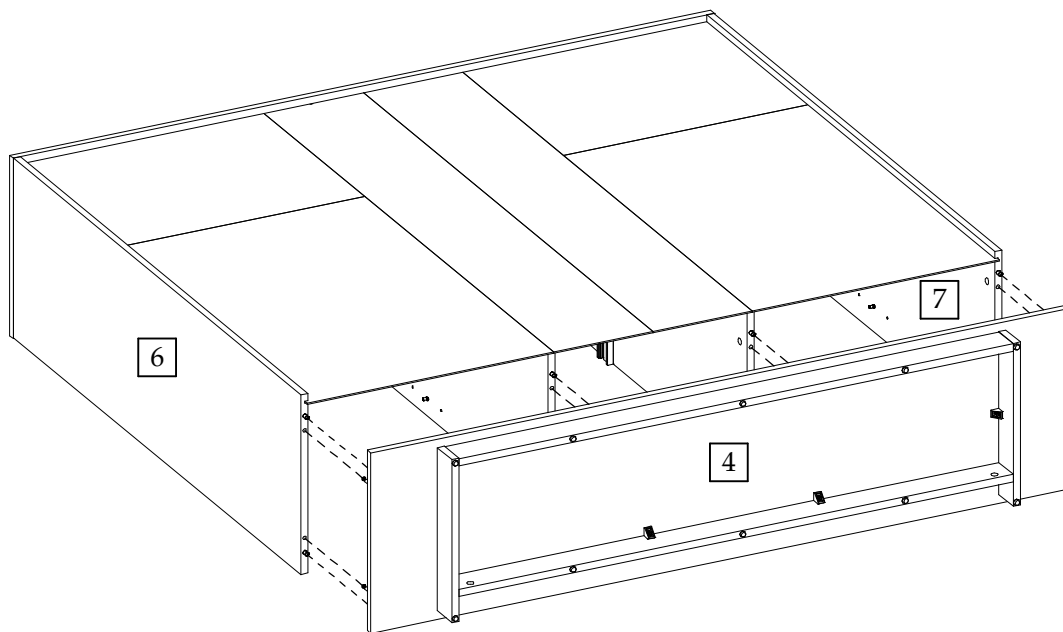
8

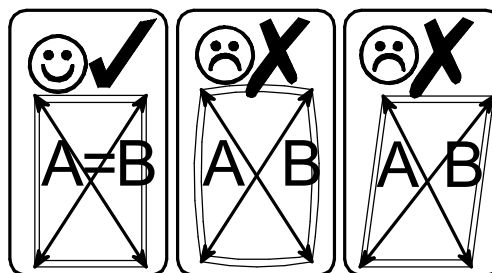
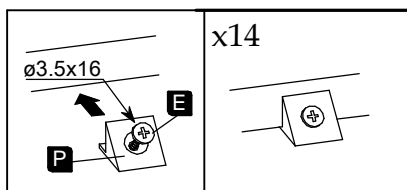
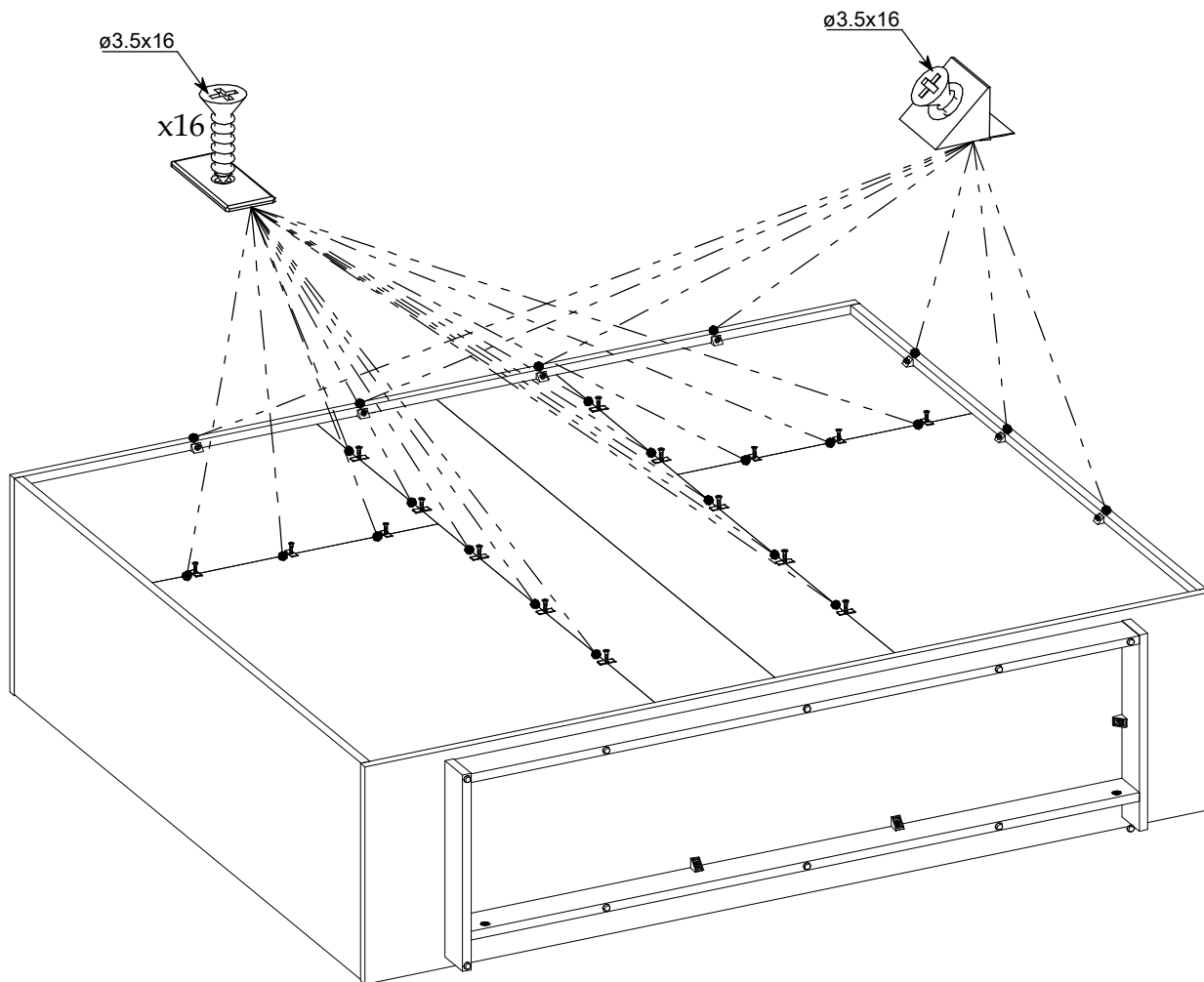


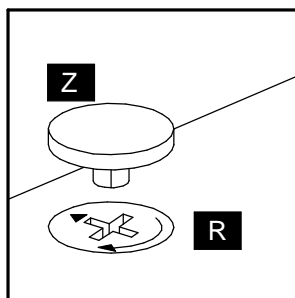
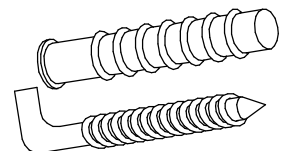
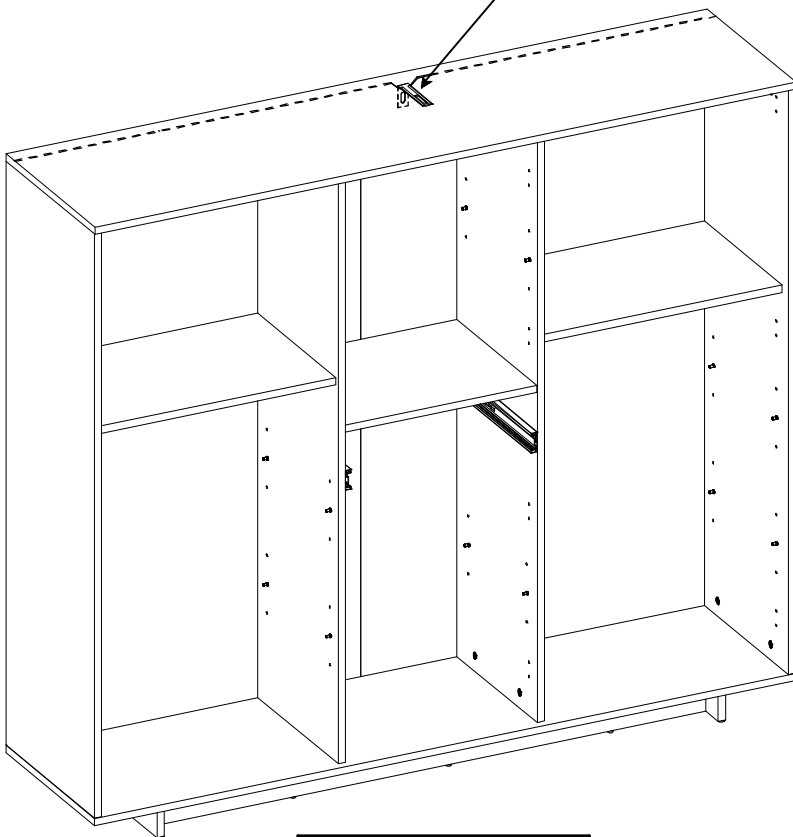
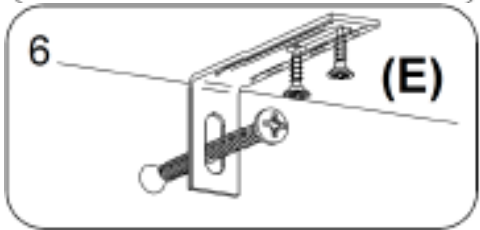
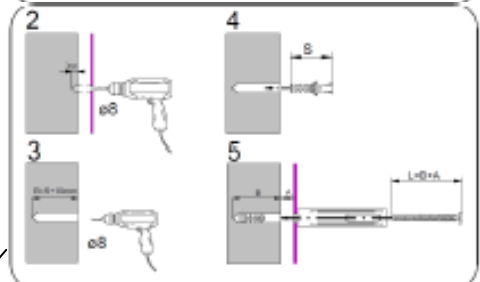
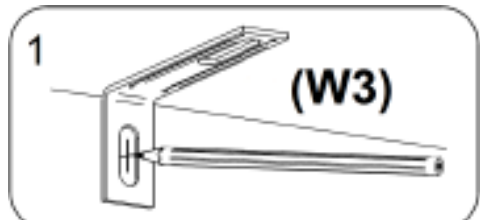
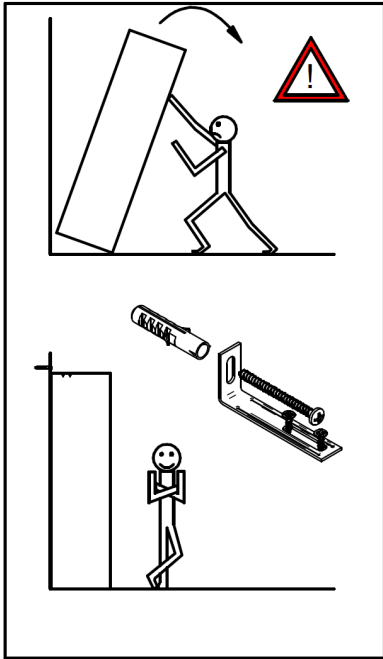
9

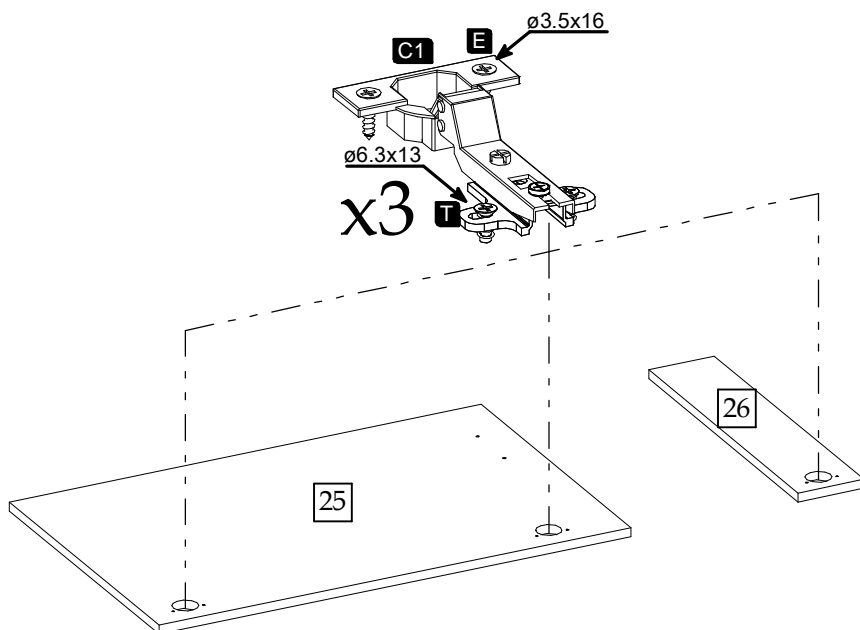
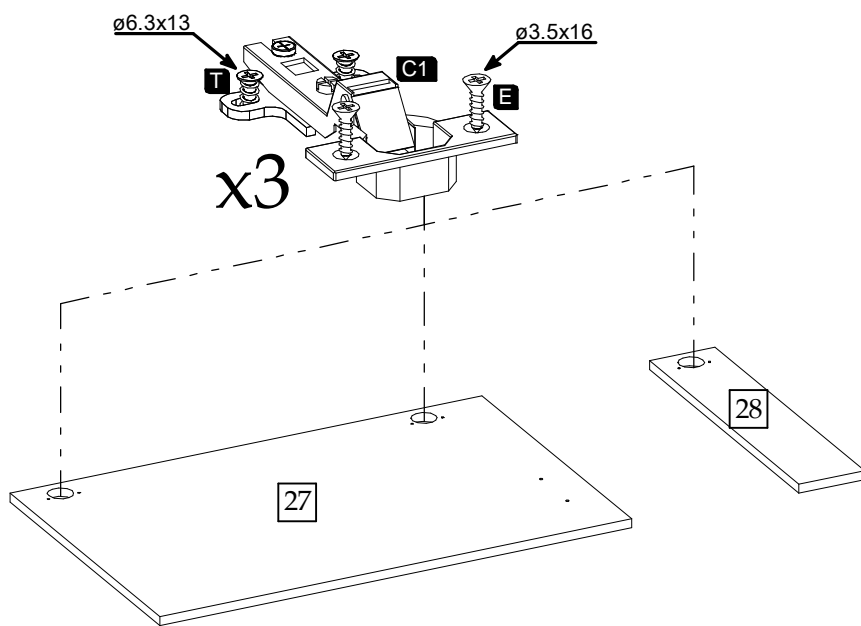
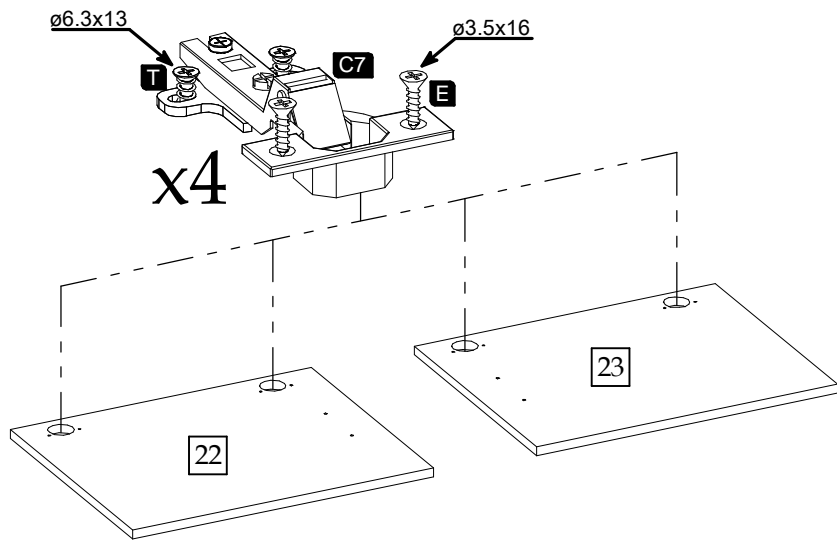


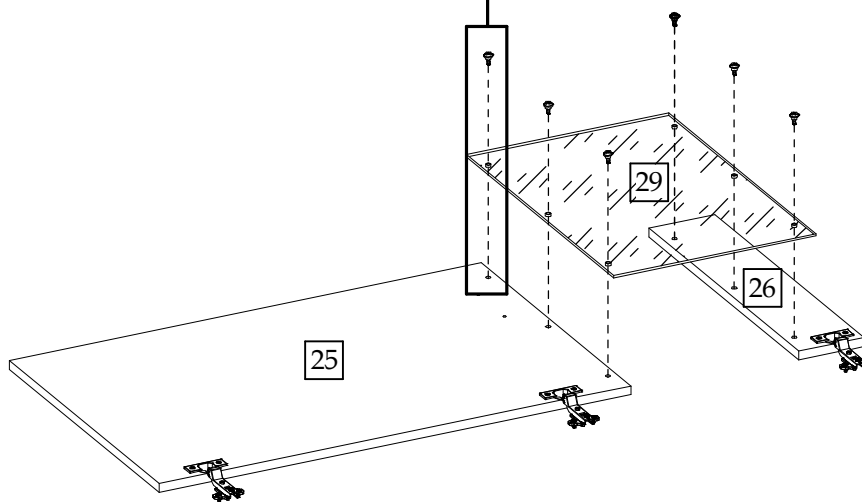
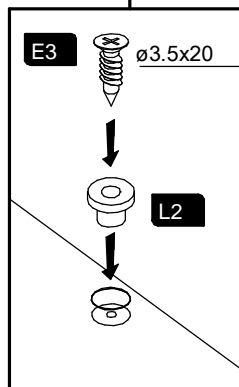
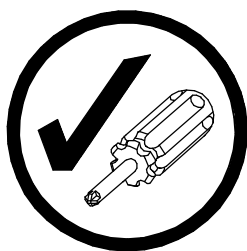
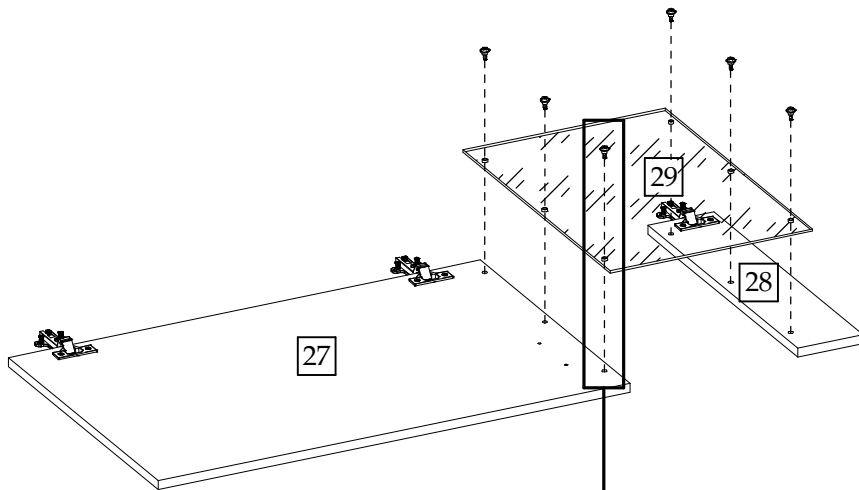
10



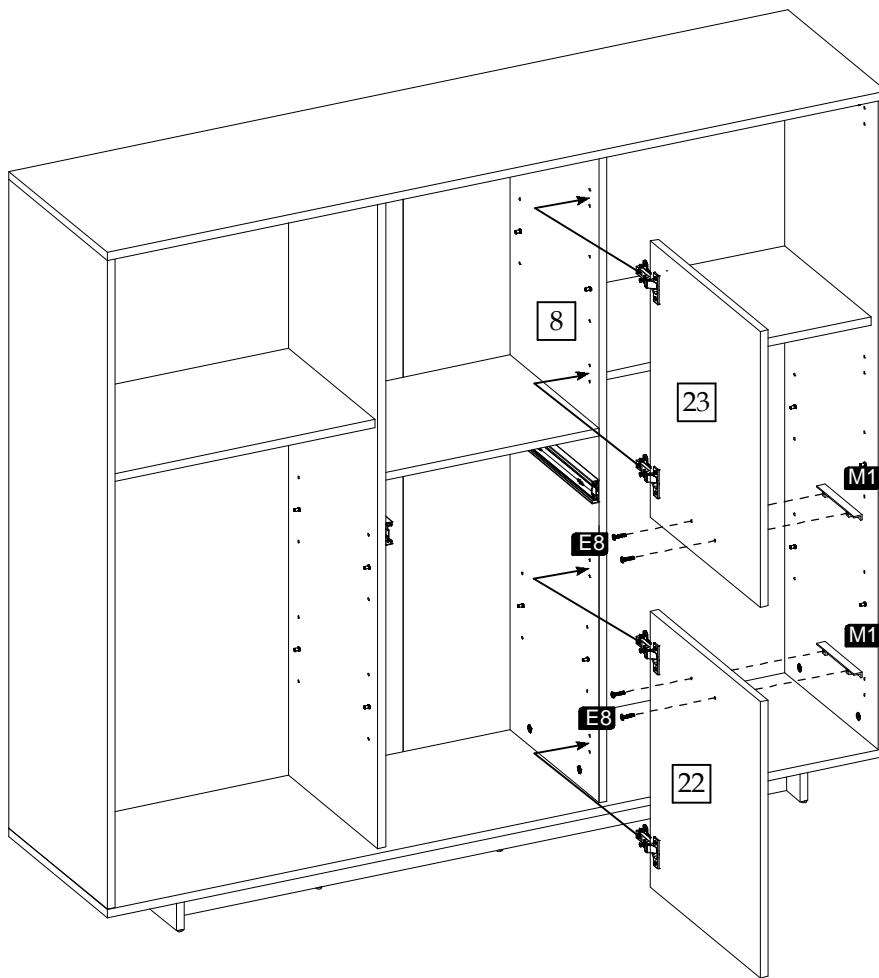








15



16

