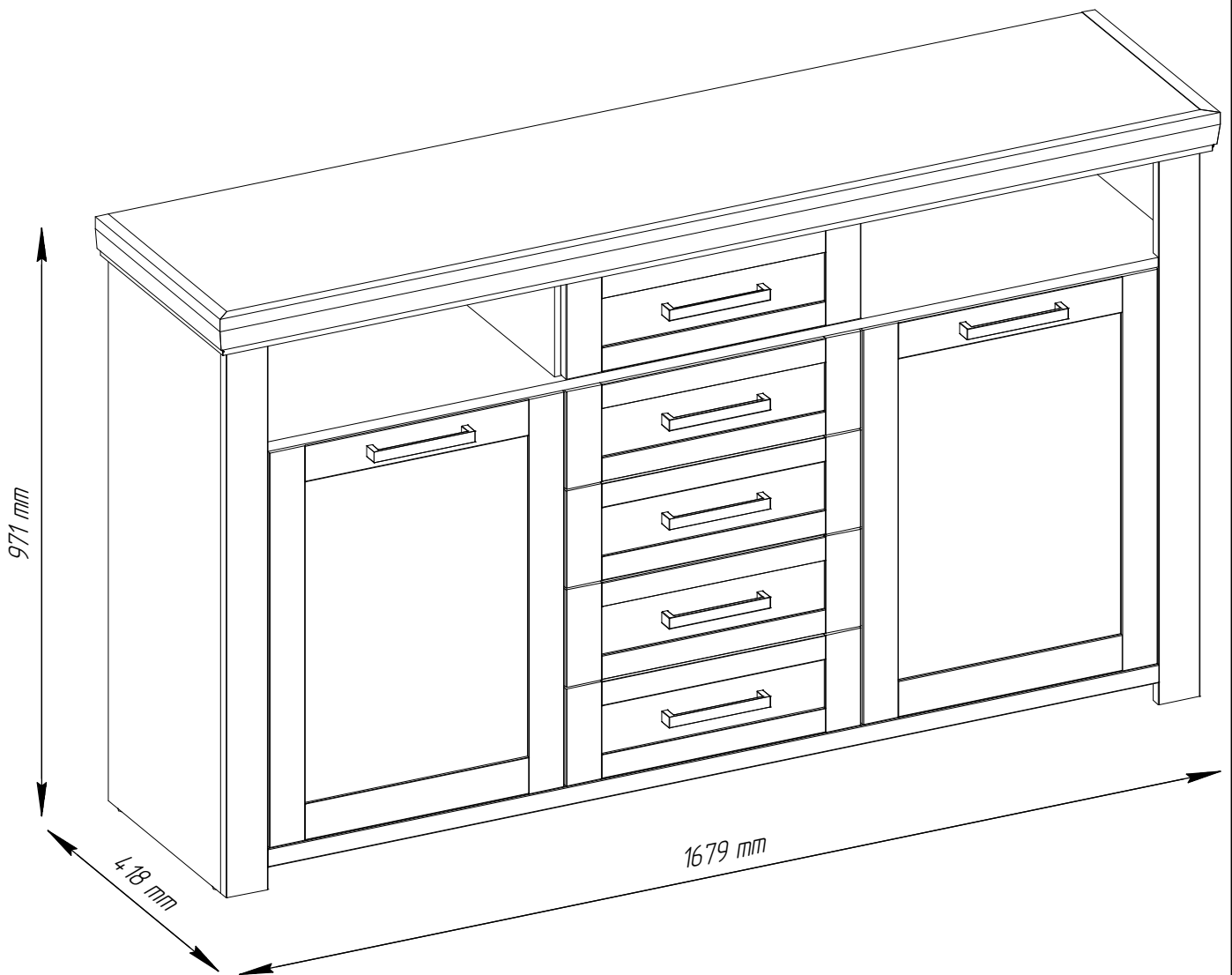
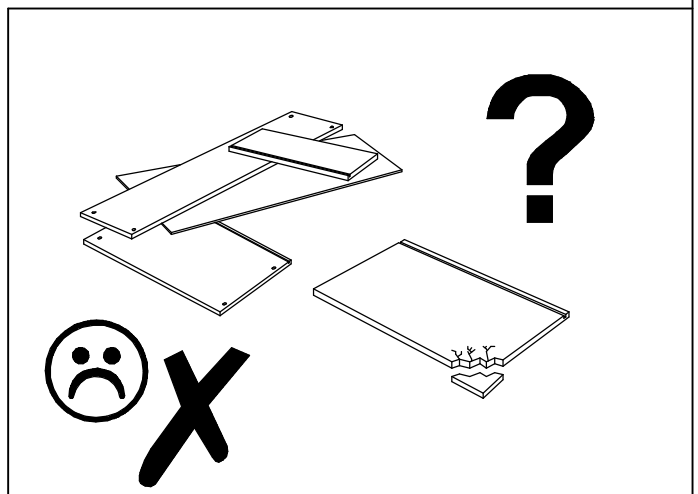
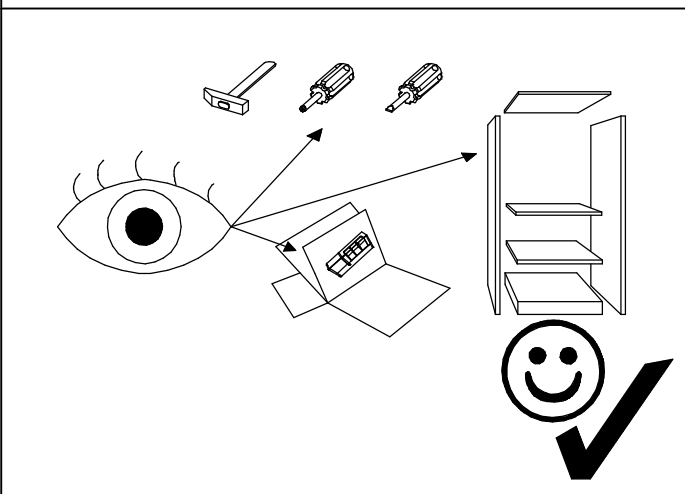
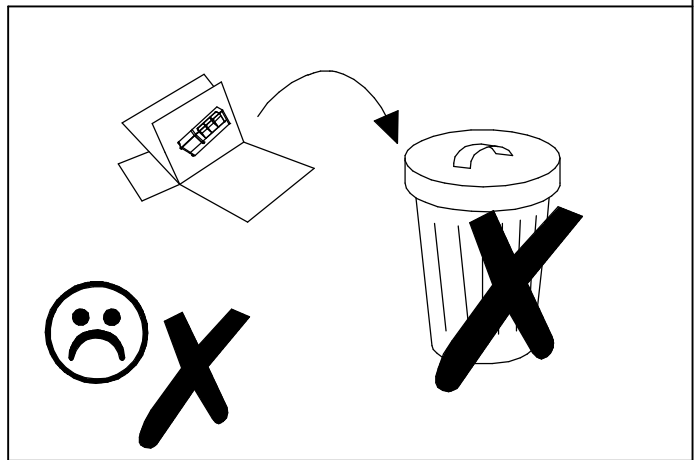
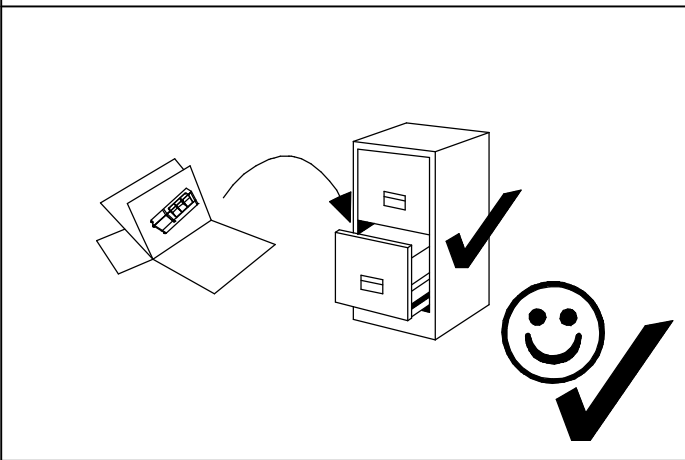
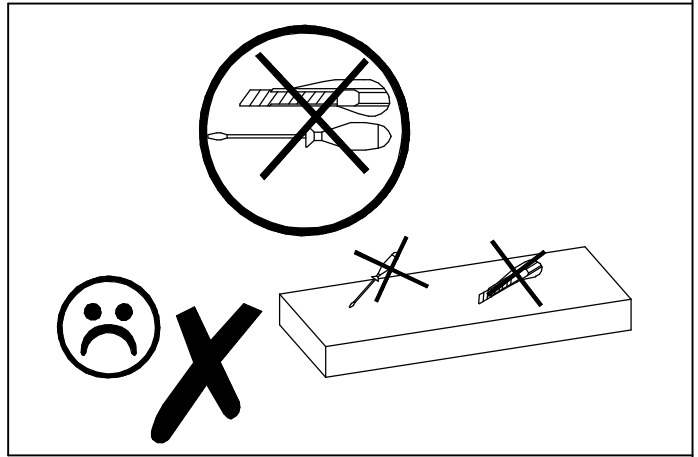
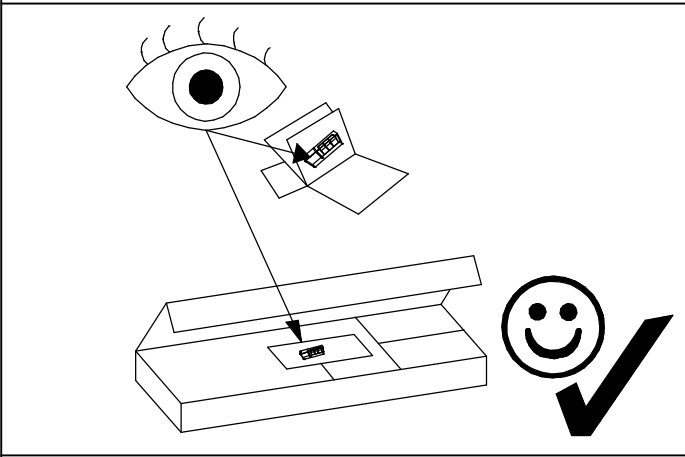
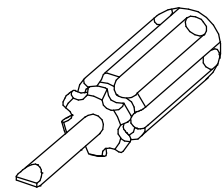
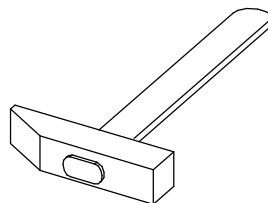
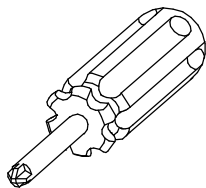
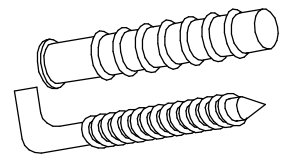
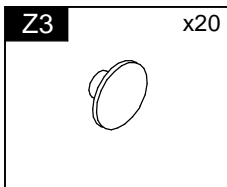
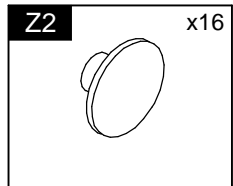
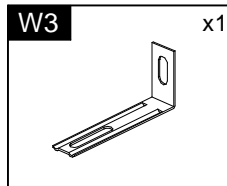
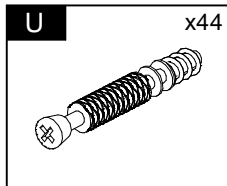
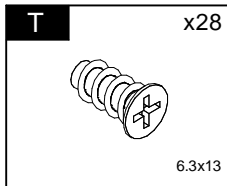
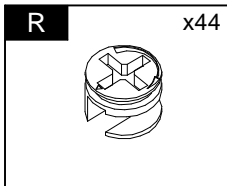
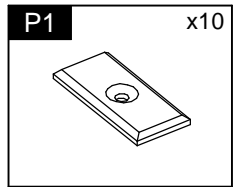
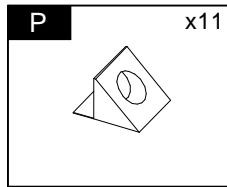
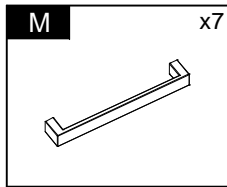
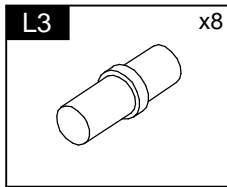
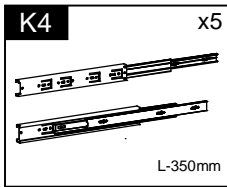
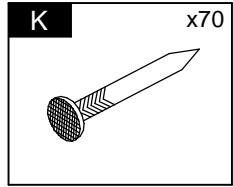
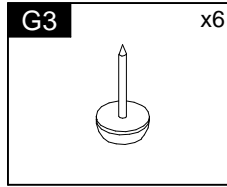
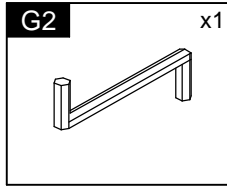
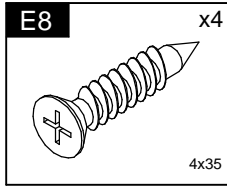
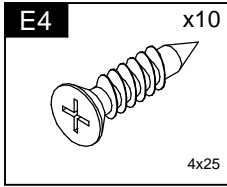
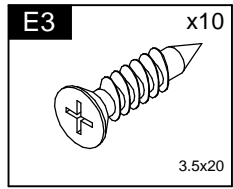
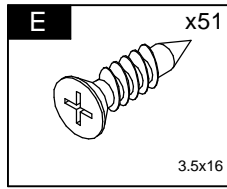
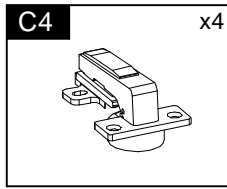
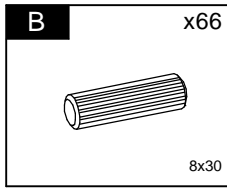
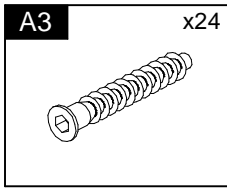
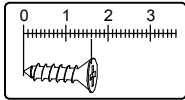
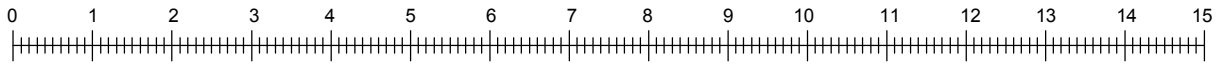


SUDBURY

Typ E

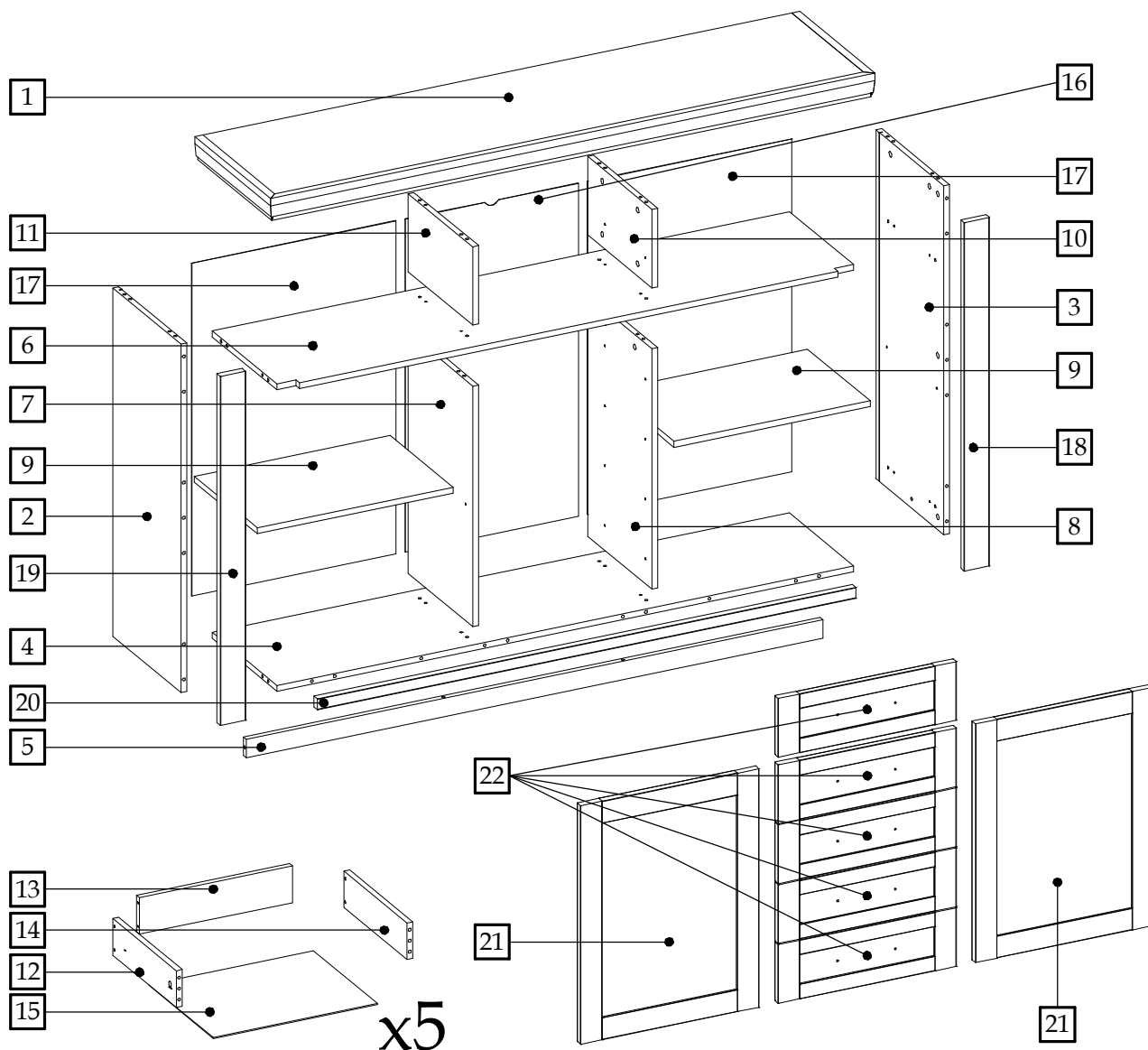


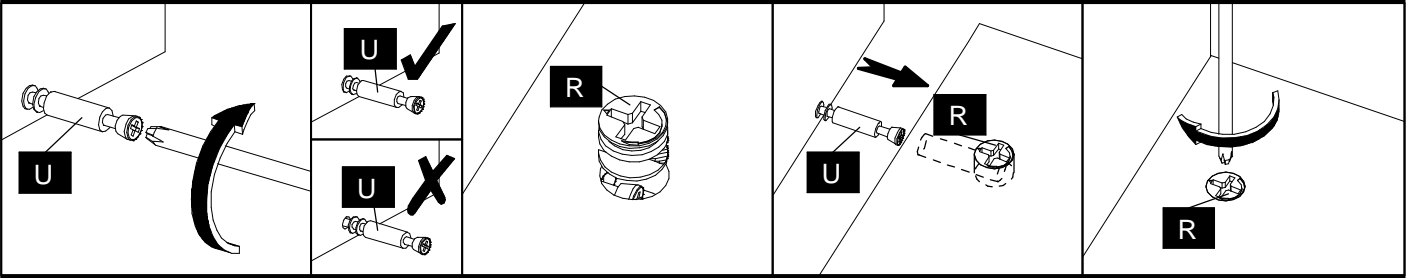




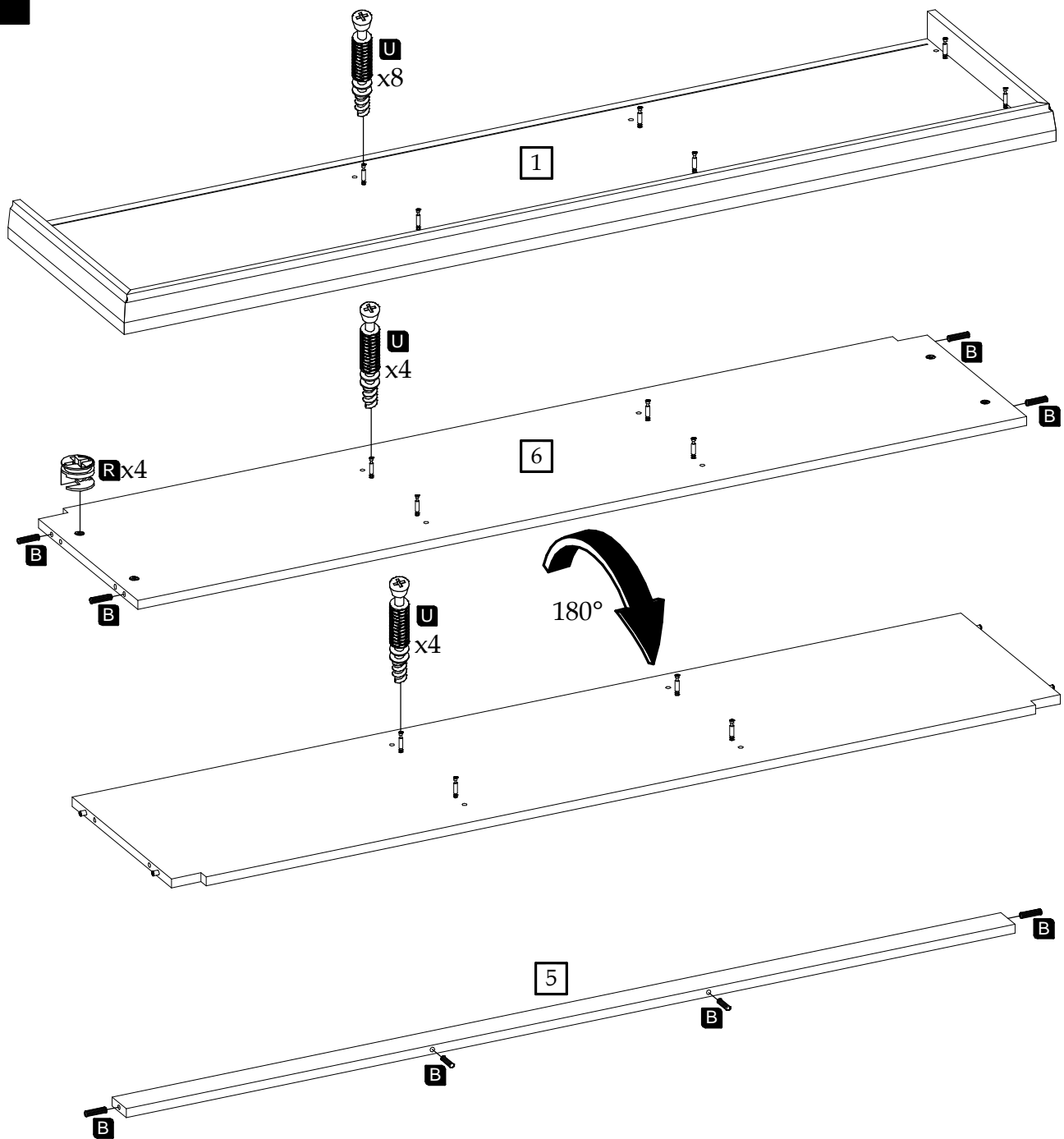
Element symbol	Measurements				Code	Paket
1	1679	418	65	1	1003	2/3
2	950.5	376.5	16	1	1001	1/3
3	950.5	376.5	16	1	1004	1/3
4	1602	356.5	16	1	1005	2/3
5	1602	50	16	1	1007	2/3
6	1602	374.5	16	1	1008	2/3
7	655	356.5	16	1	1029	1/3
8	655	356.5	16	1	1030	1/3
9	544	345	16	2	N/A	2/3
10	213.5	356.5	16	1	1042	2/3
11	213.5	356.5	16	1	1043	2/3

Element symbol	Measurements				Code	Paket
12	350	100	16	5	1045	1/3
13	424.5	100	16	5	1046	1/3
14	350	100	16	5	1047	$\frac{1}{3}$ / $\frac{2}{3}$
15	456	355	3	5	N/A	$\frac{3}{3}$ / $\frac{2}{3}$
16	907	498	3	1	1006	3/3
17	907	558	3	2	N/A	3/3
18	950	70	19	1	3014	1/3
19	950	70	19	1	3015	1/3
20	1495	30	19	1	3016	2/3
21	649	495	19	2	3004	3/3
22	495	160	19	5	3009	3/3

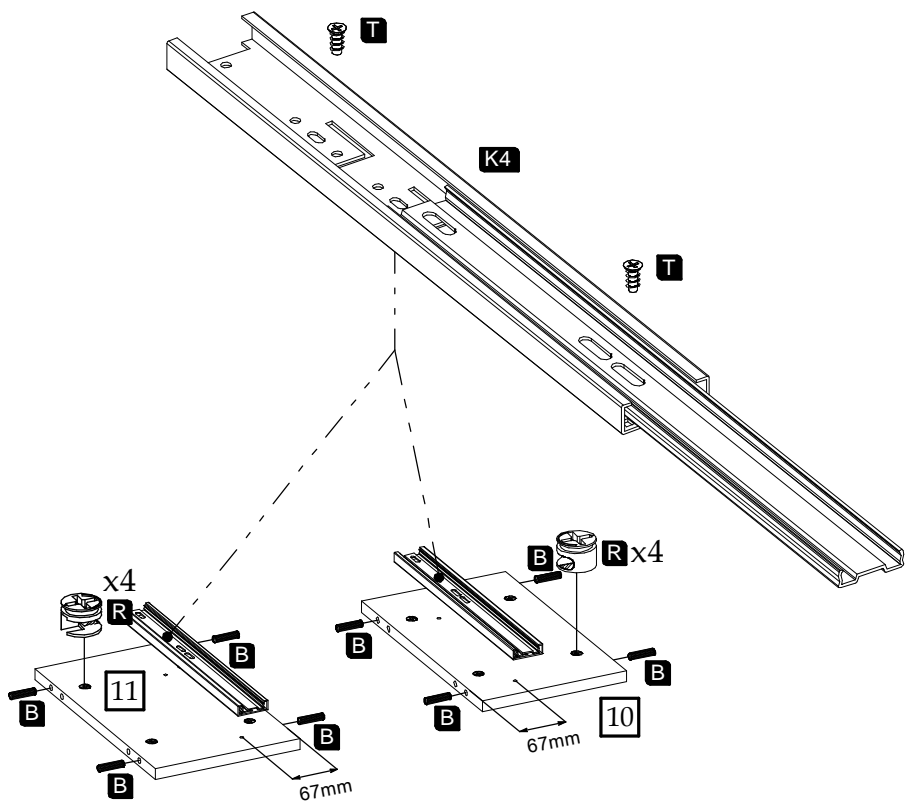
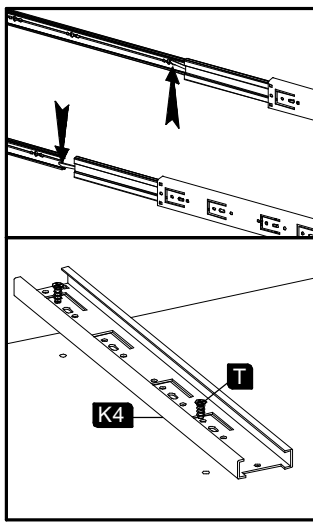




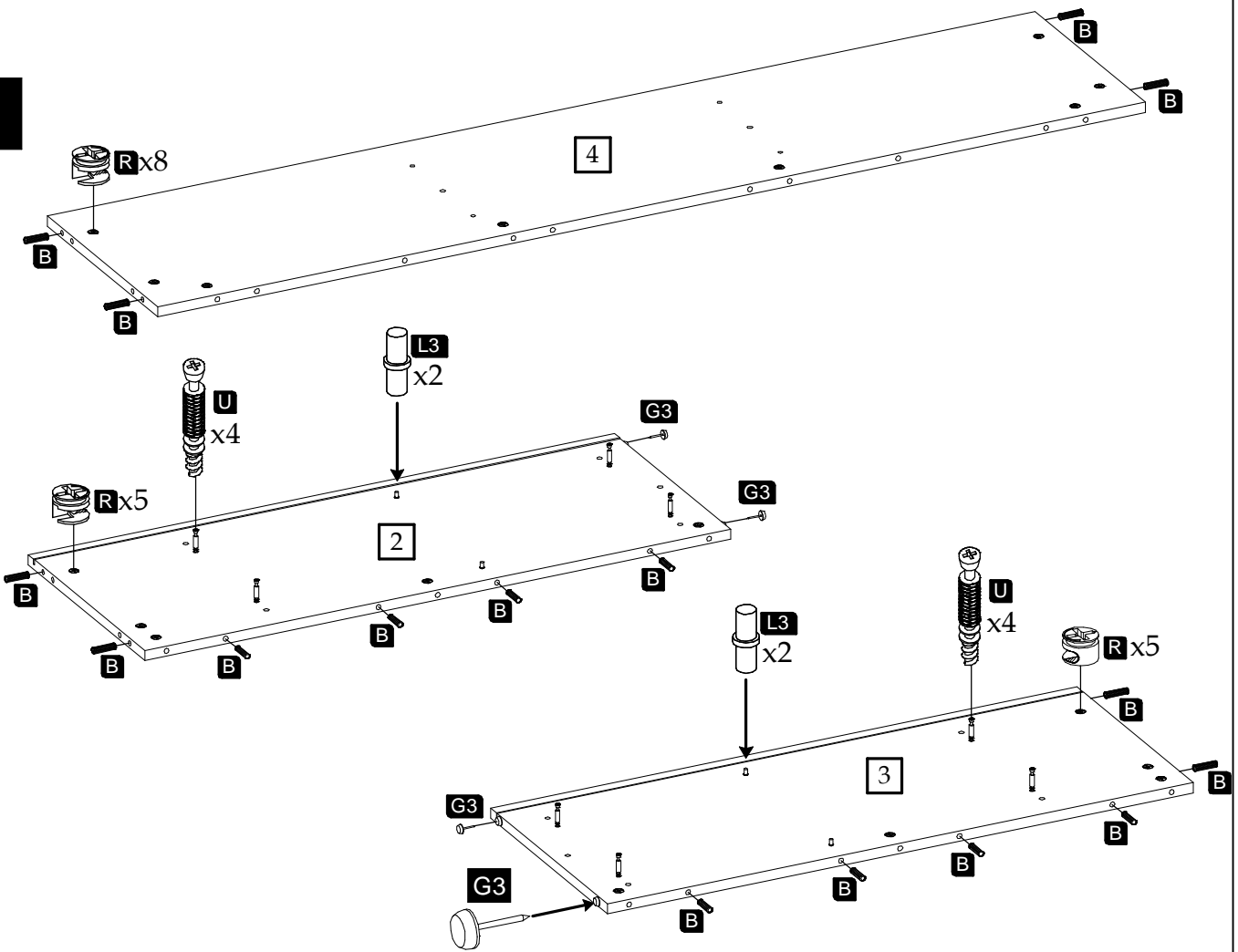
1



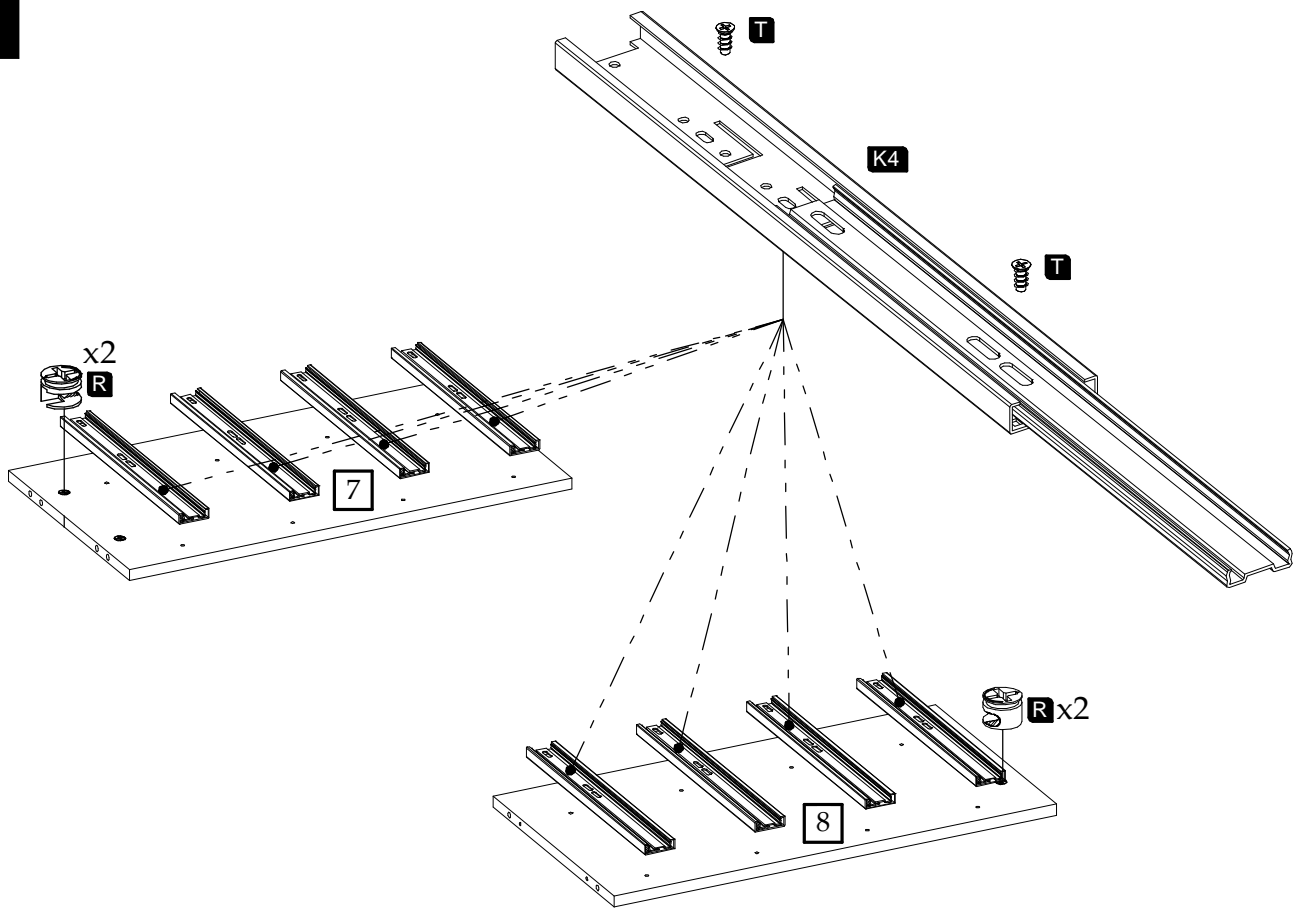
2



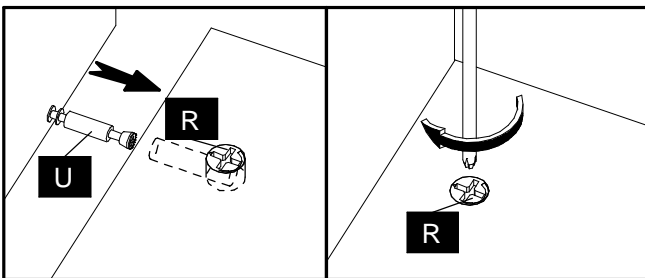
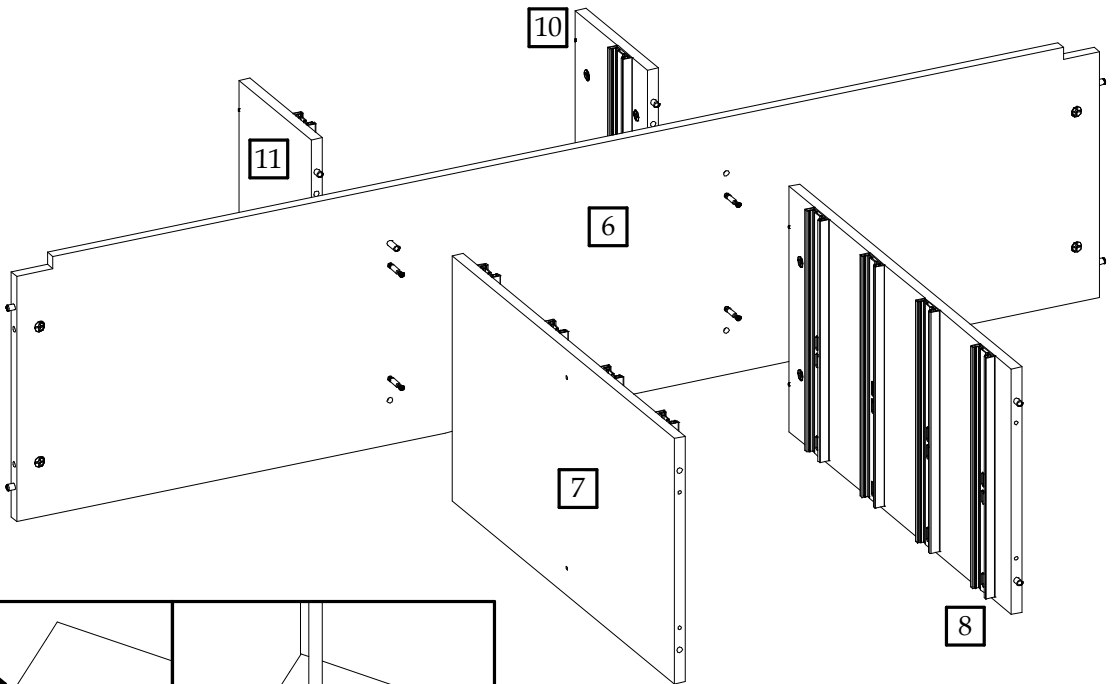
3



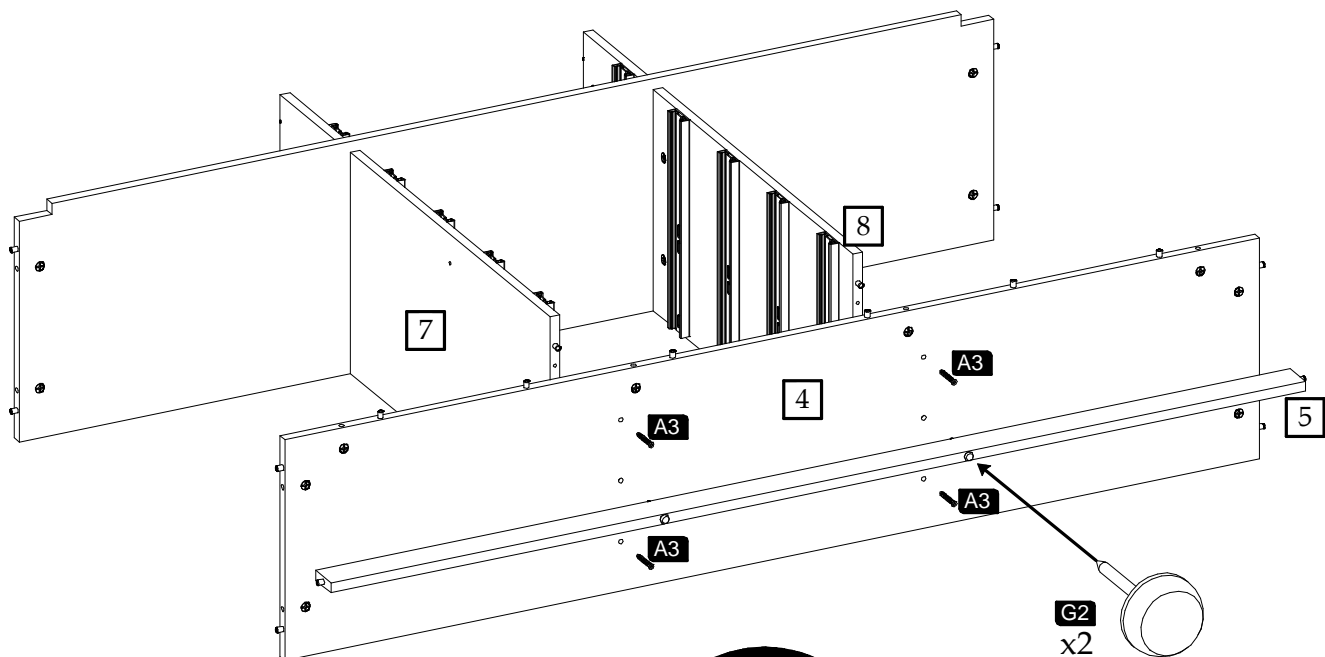
4



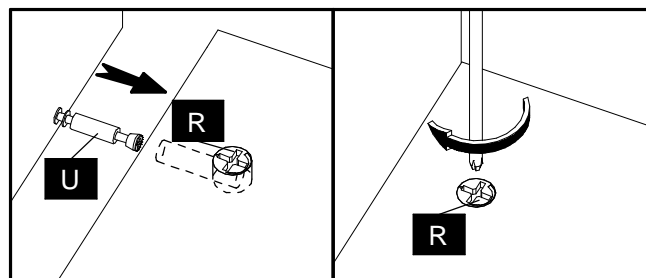
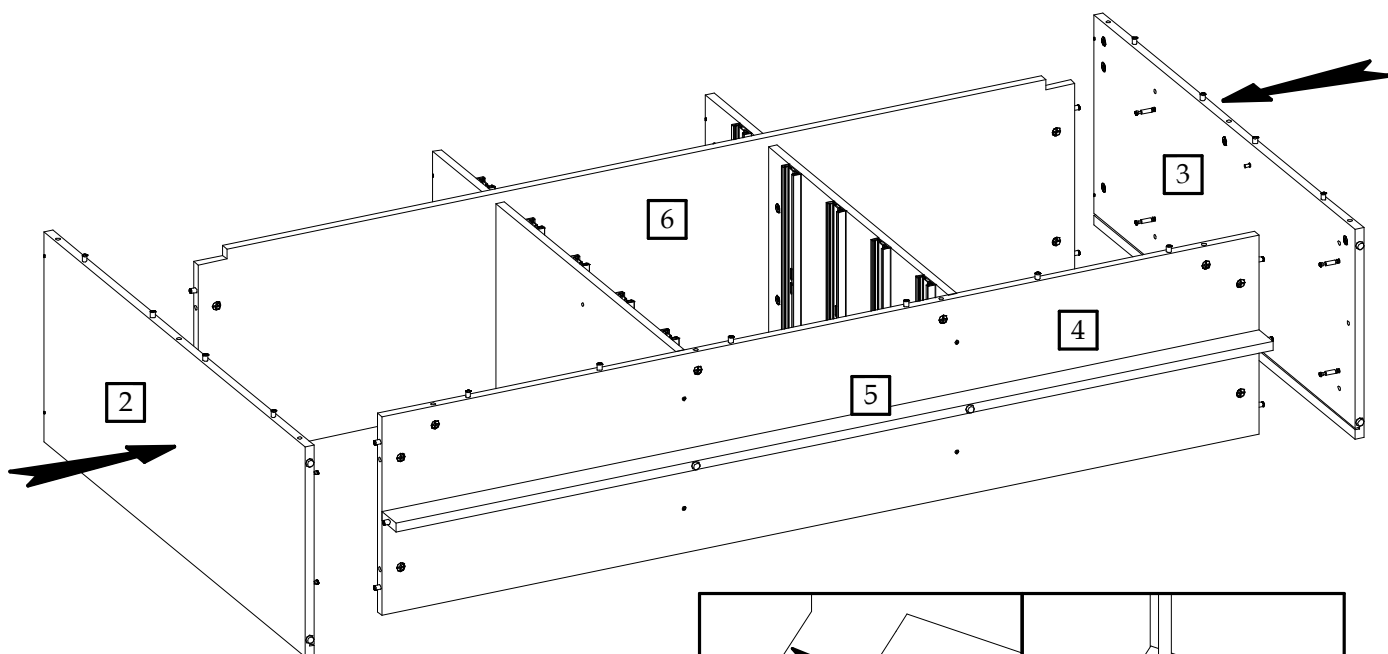
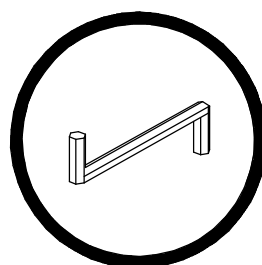
5



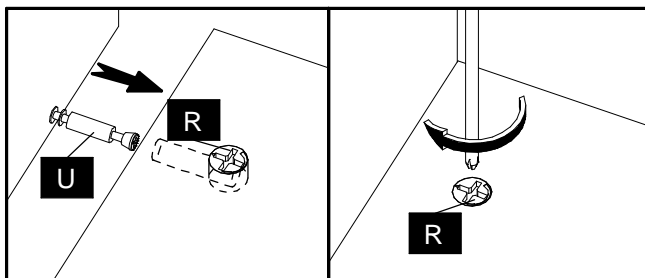
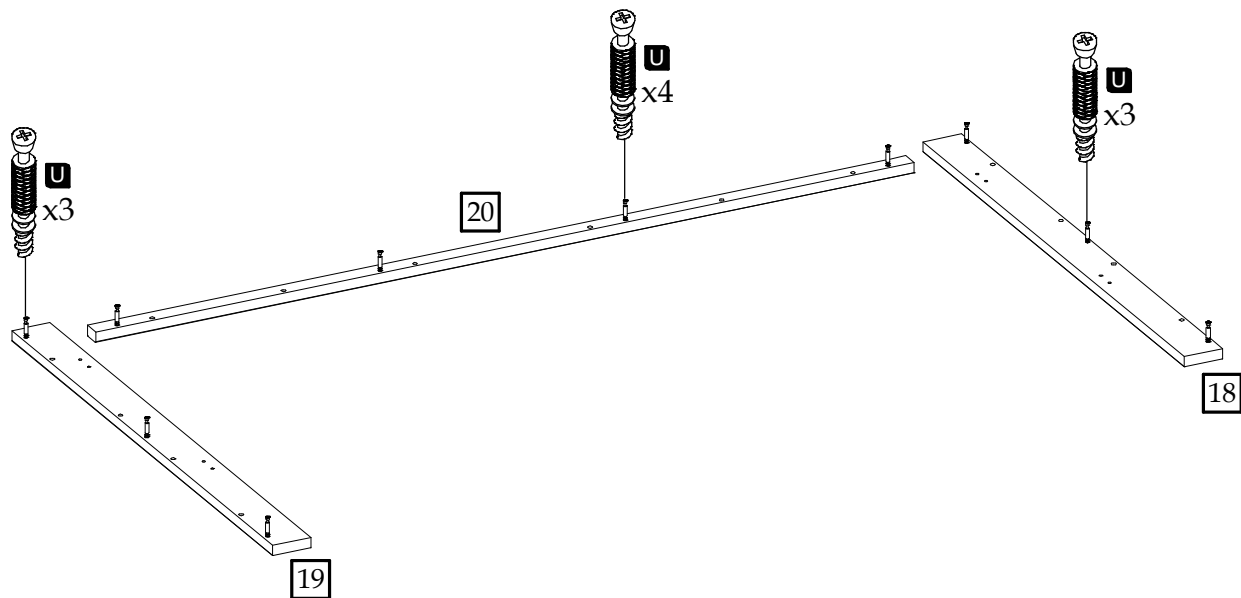
6



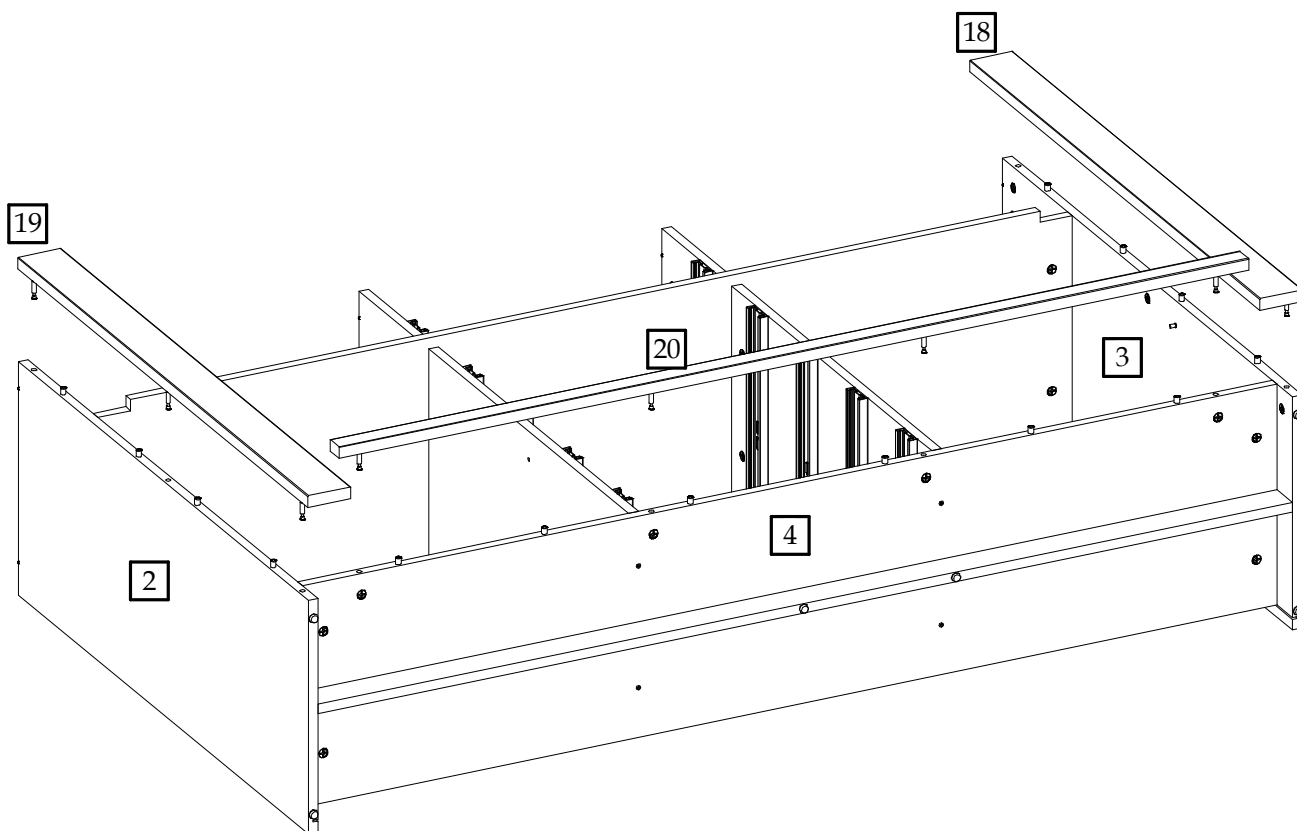
7

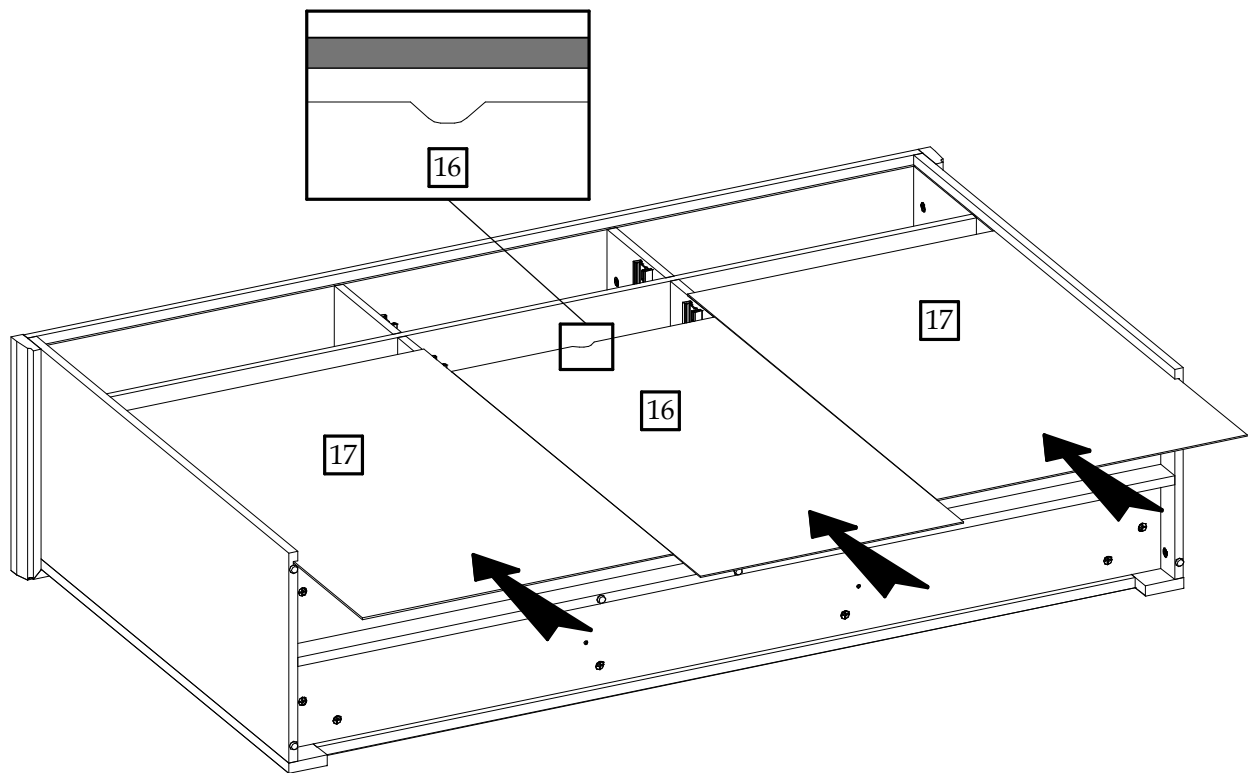
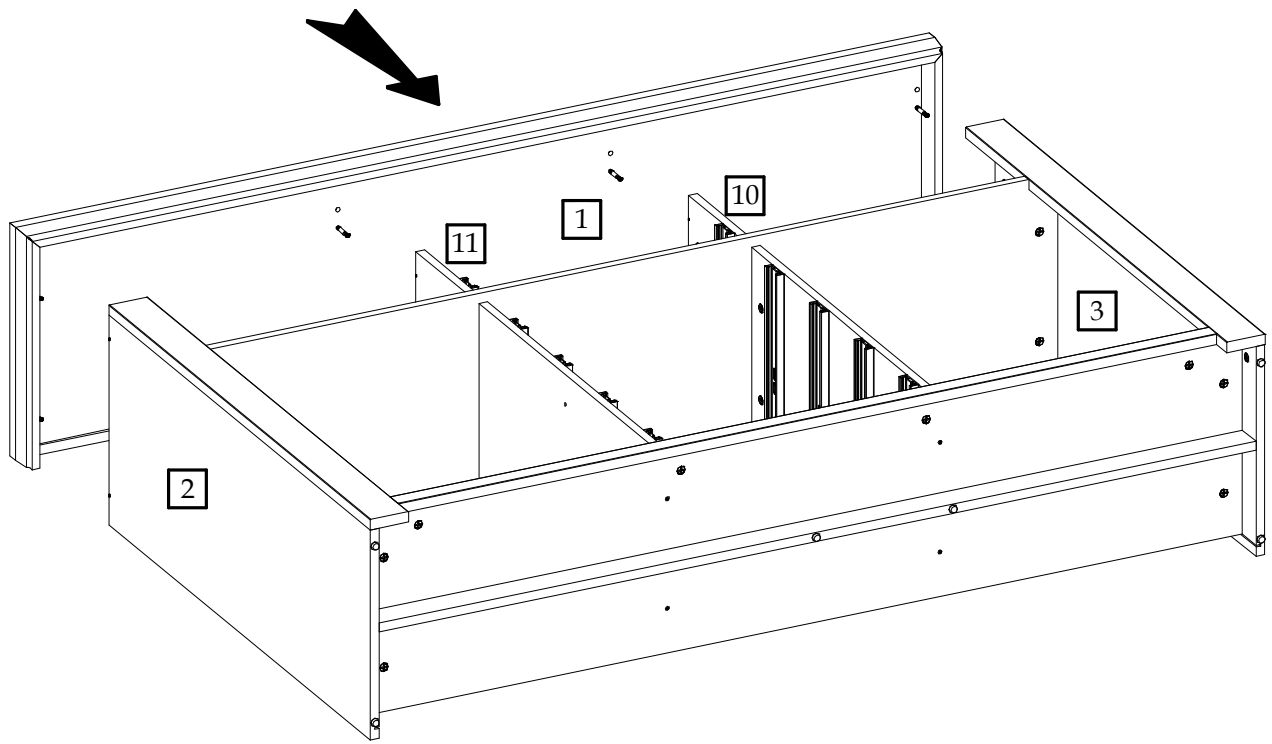


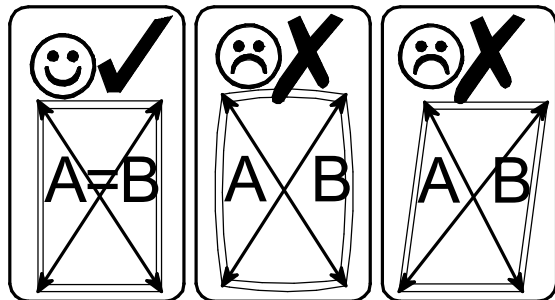
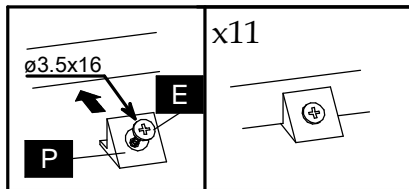
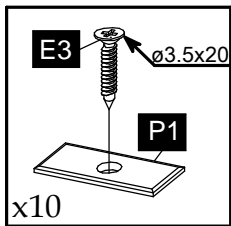
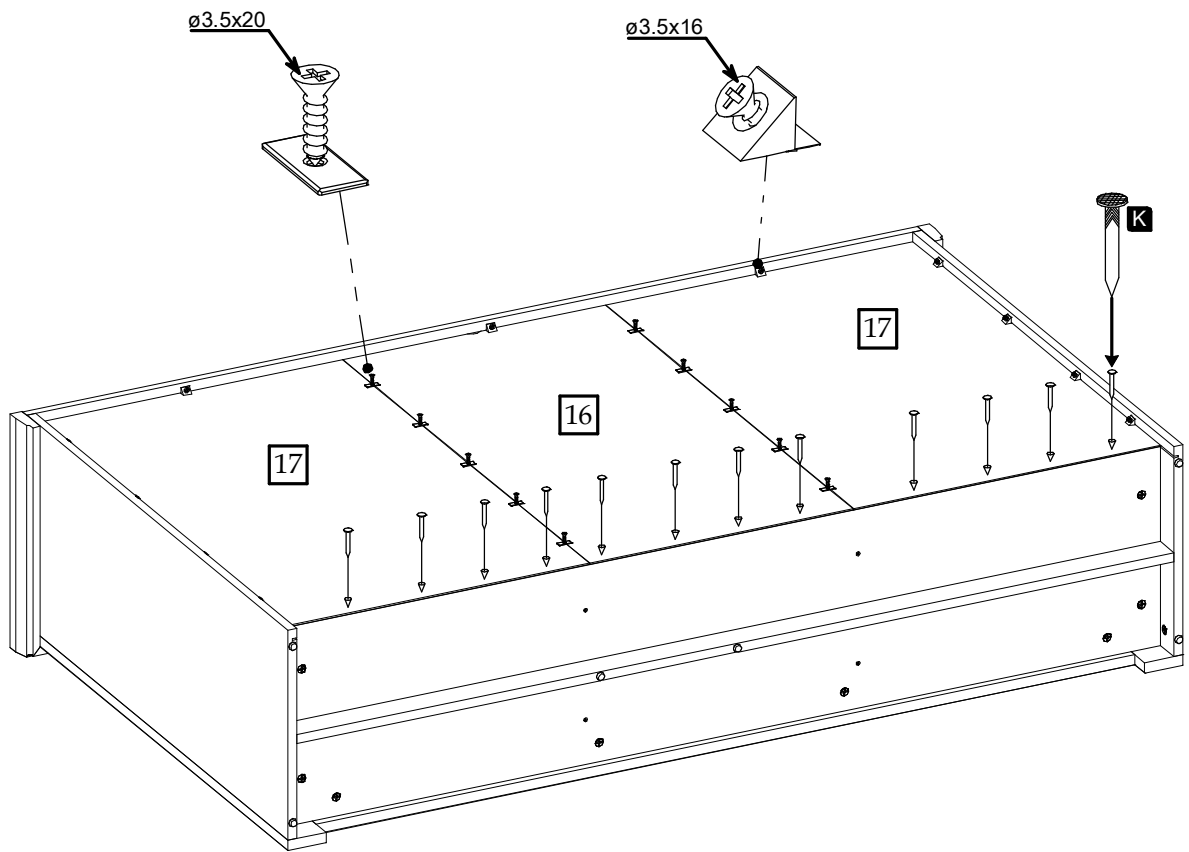
8

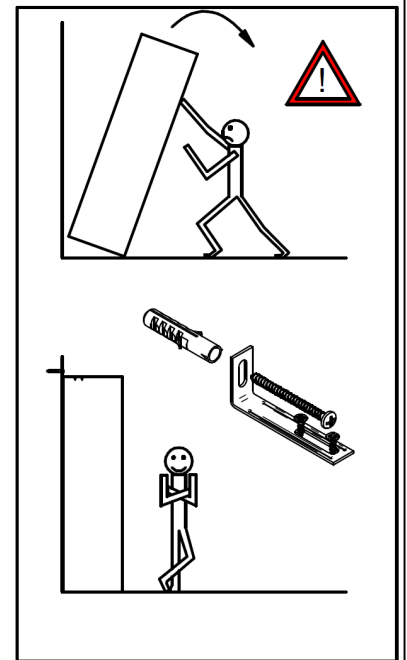
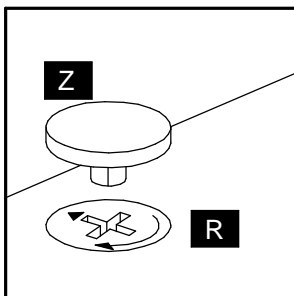
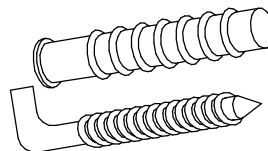
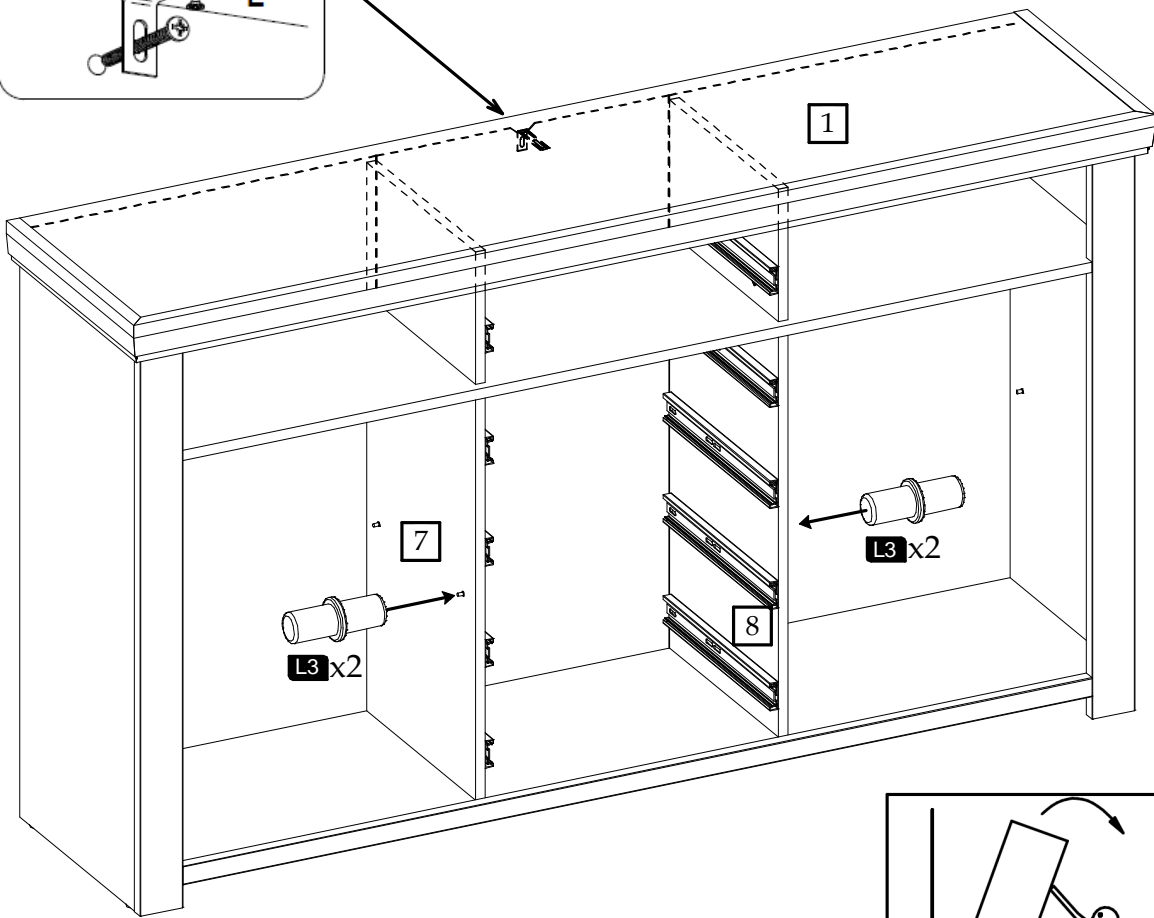
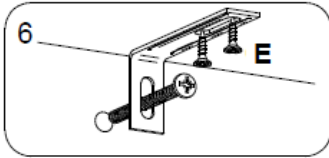
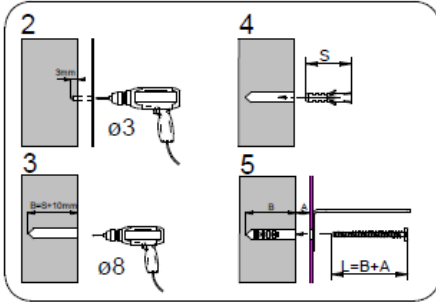
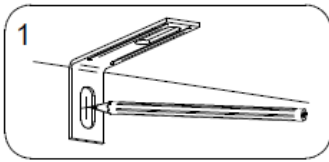


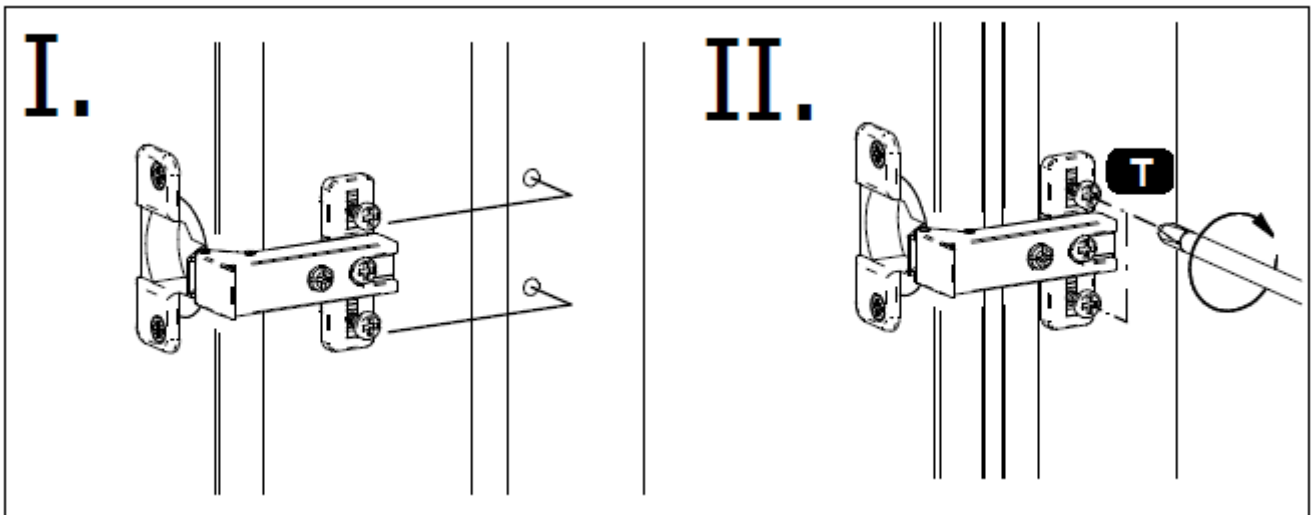
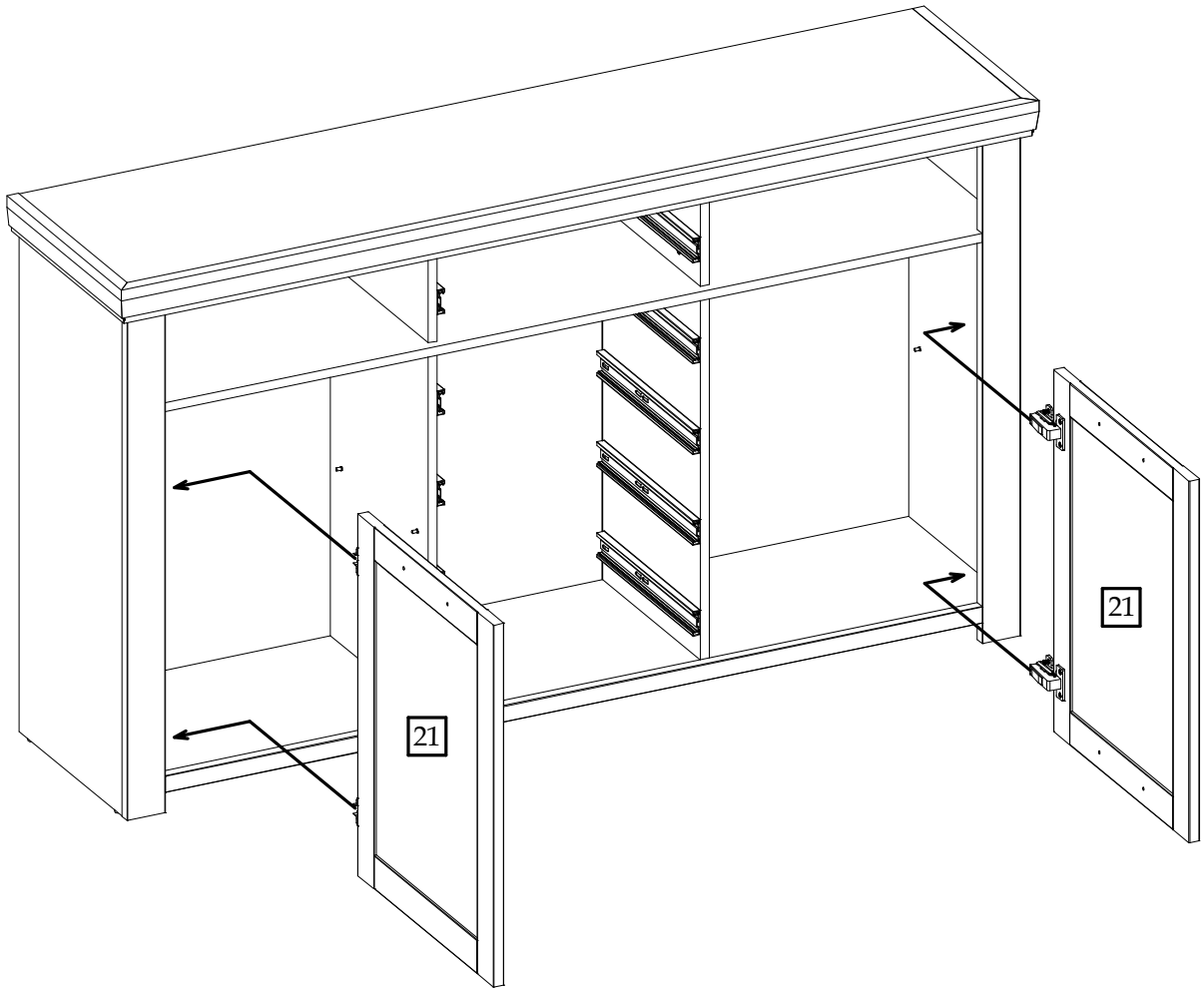
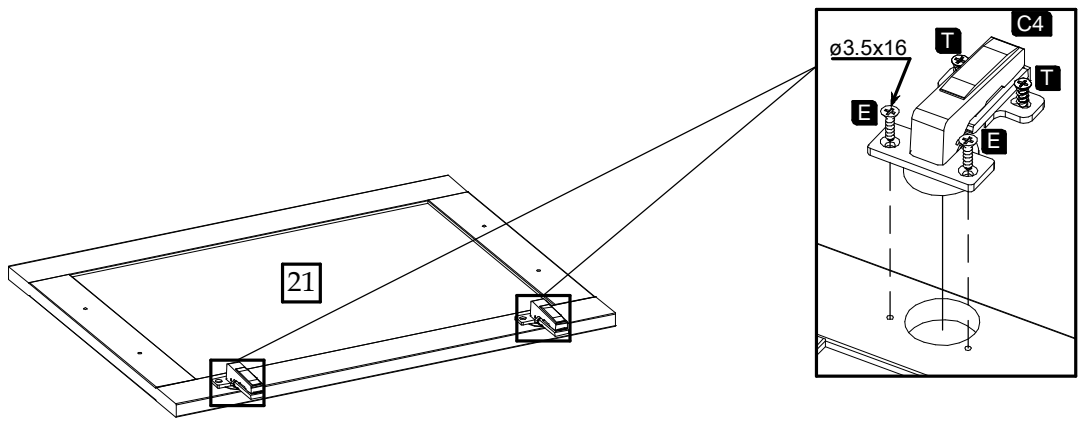
9

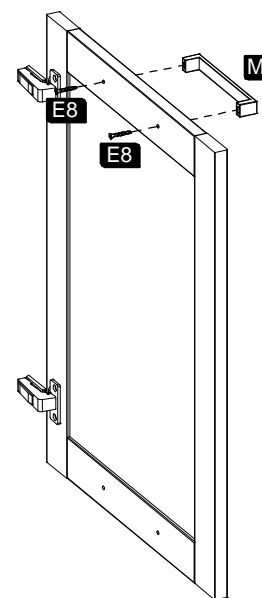
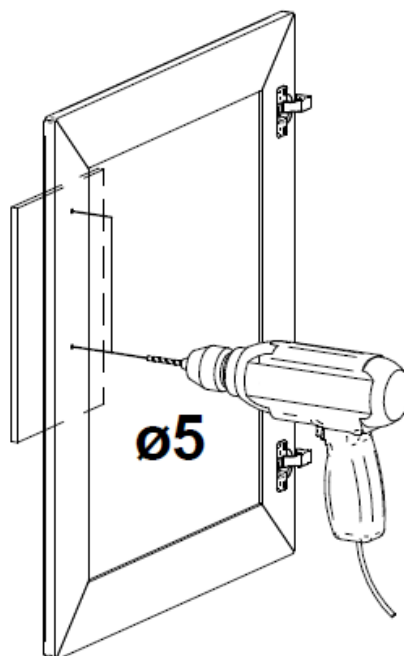
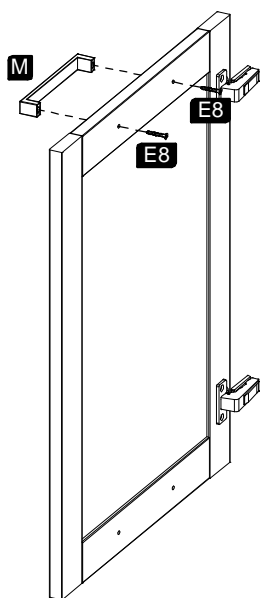
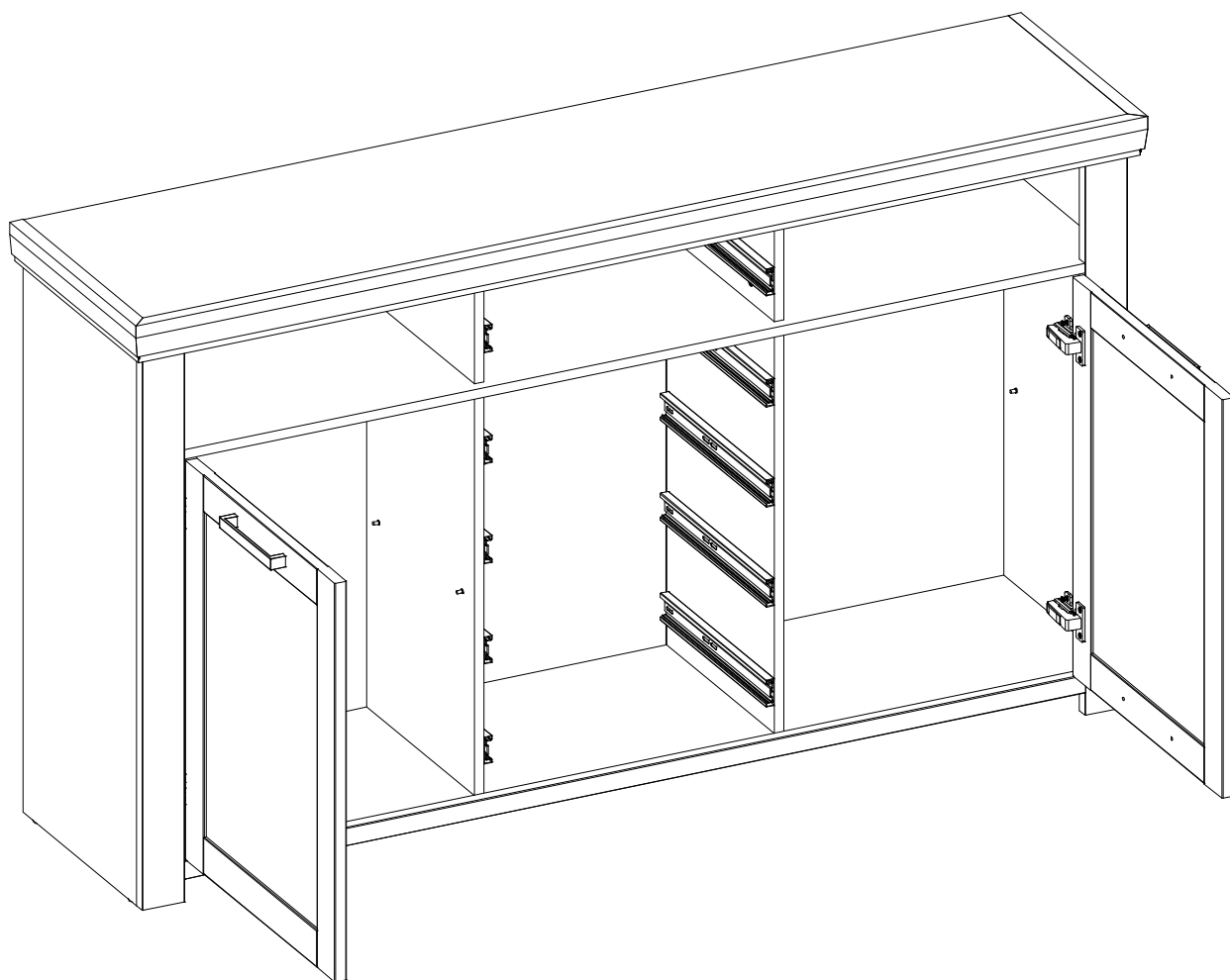


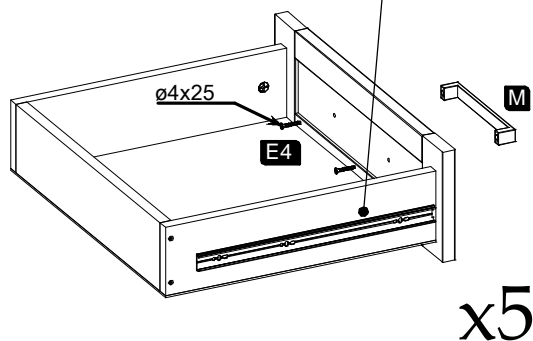
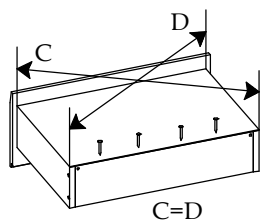
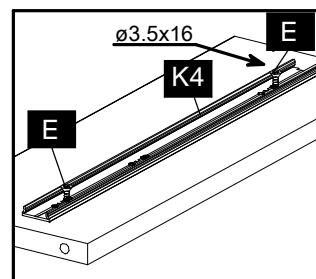
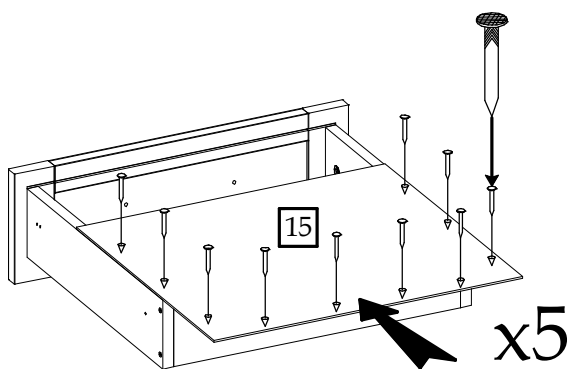
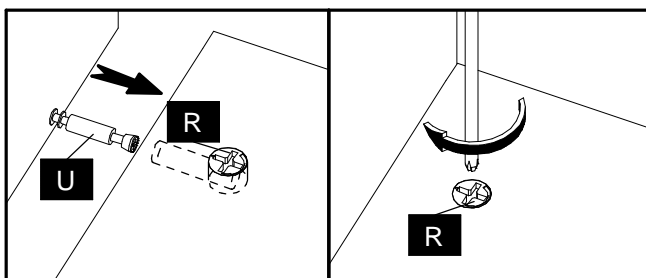
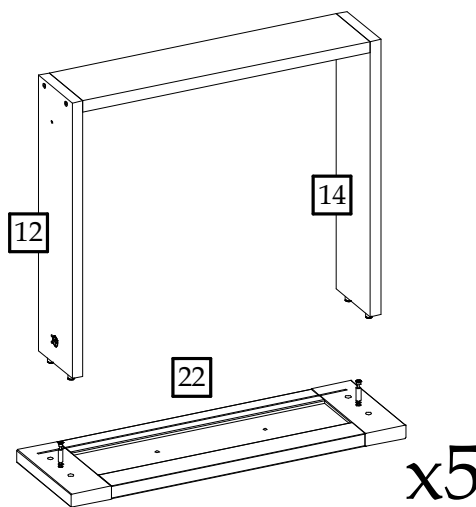
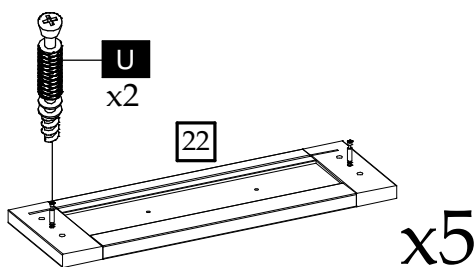
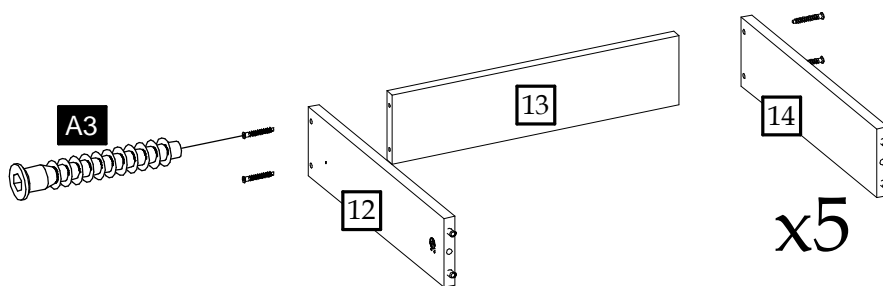
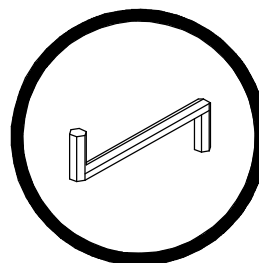
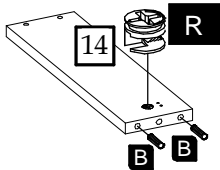
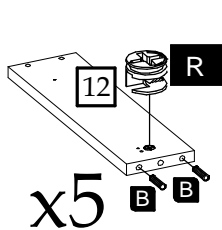


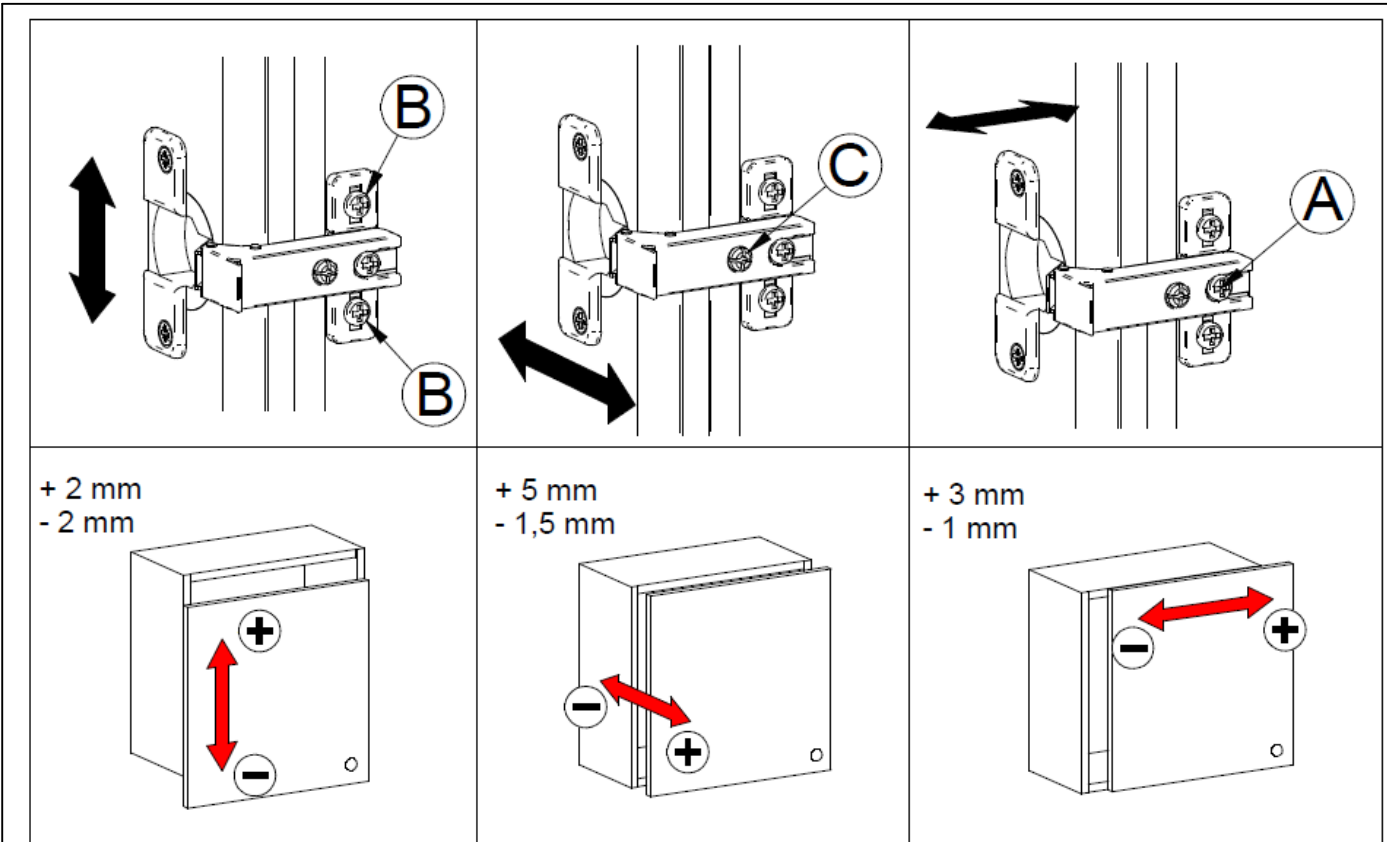












17

