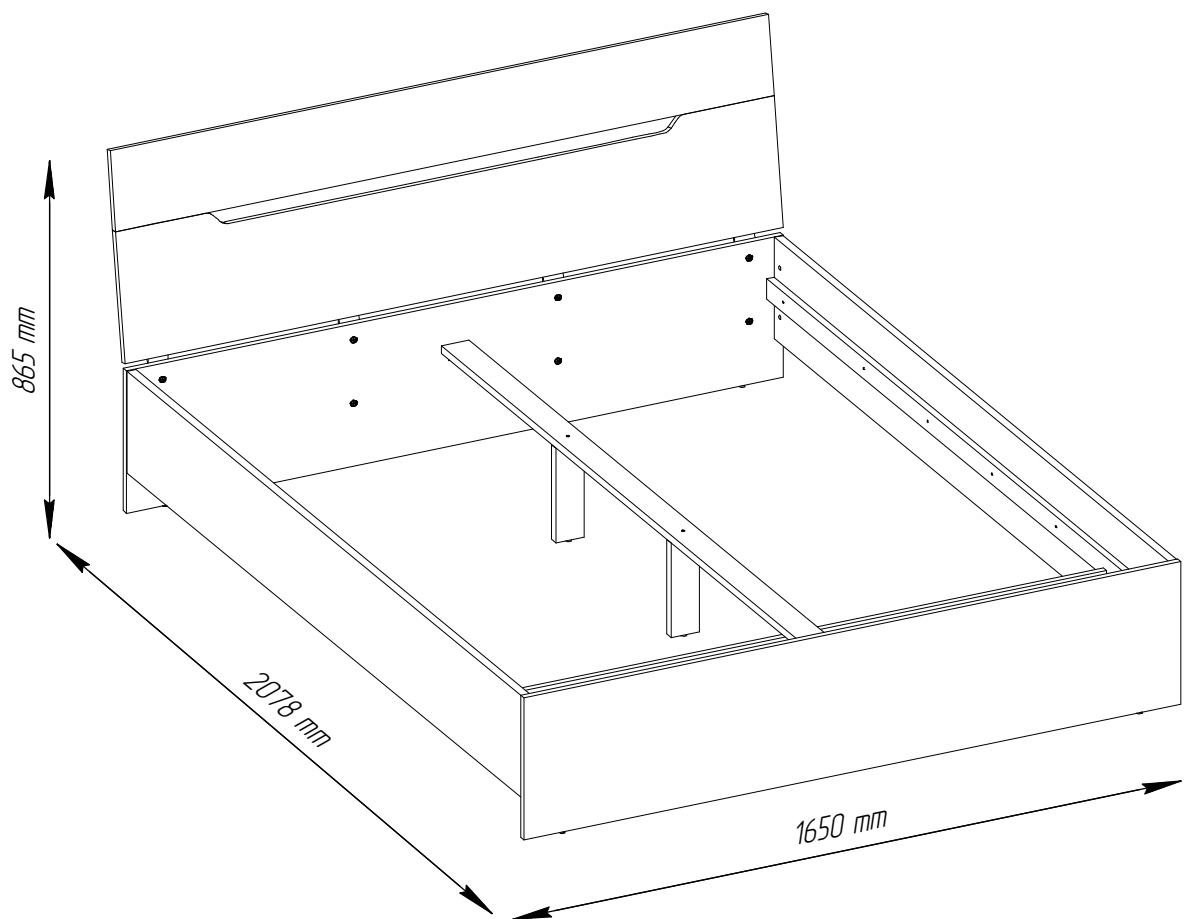
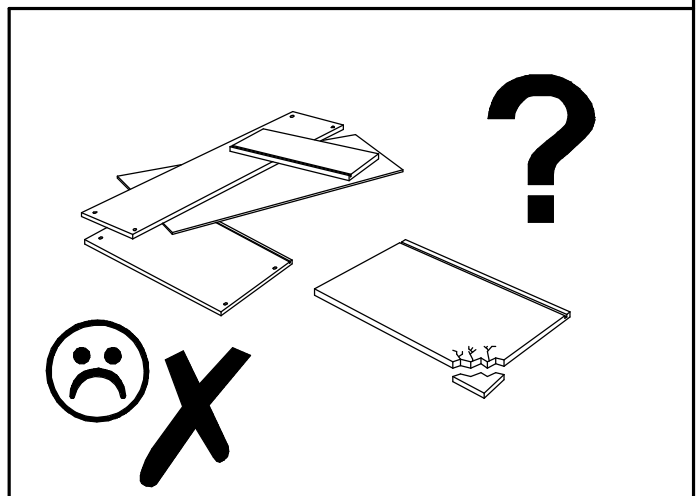
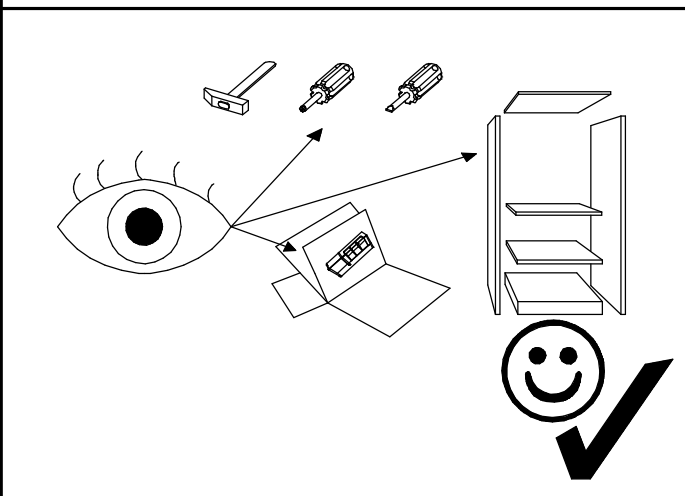
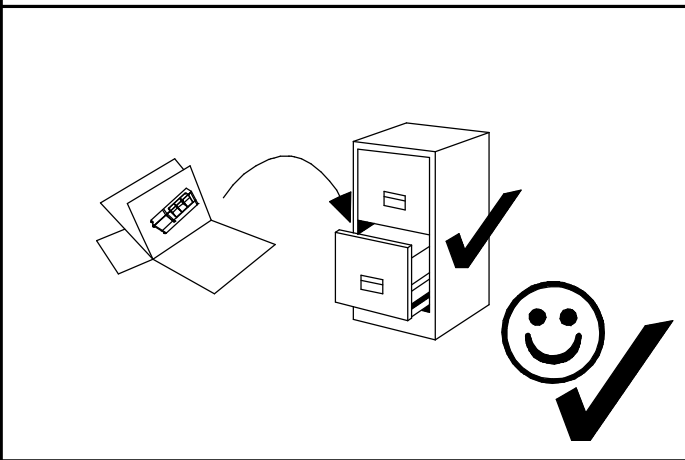
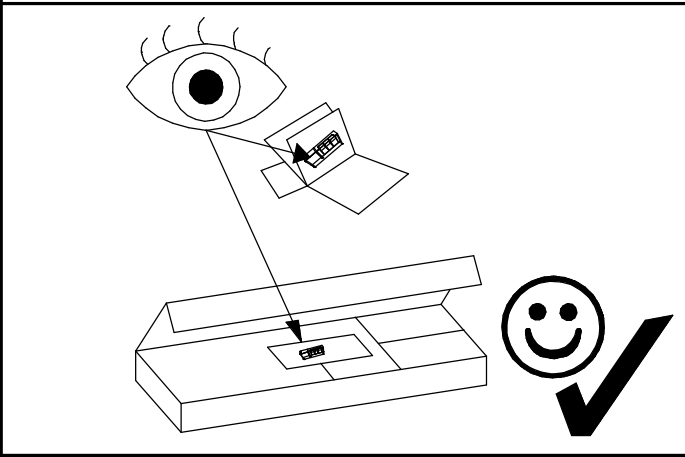
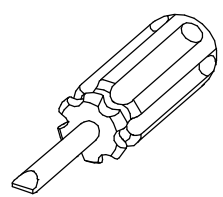
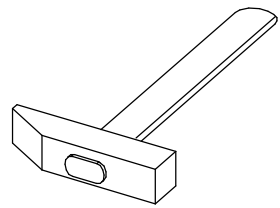
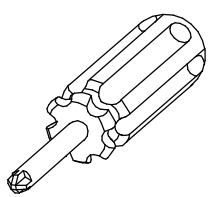
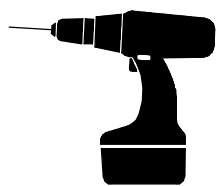
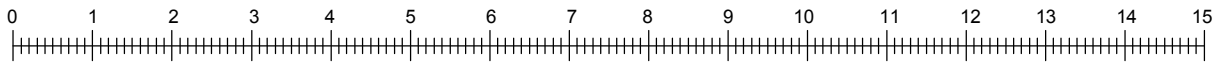
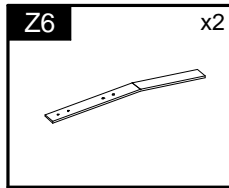
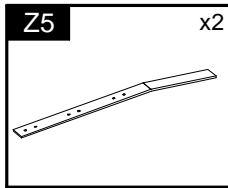
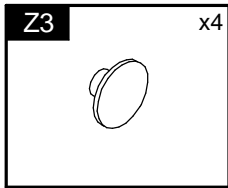
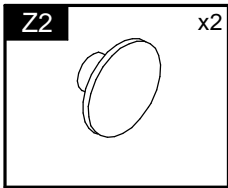
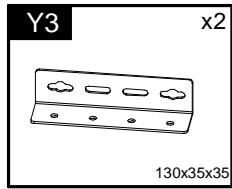
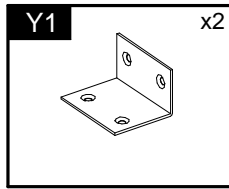
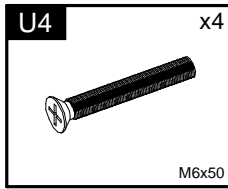
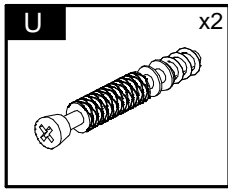
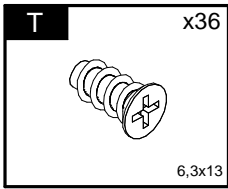
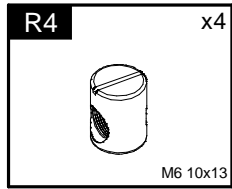
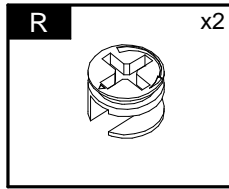
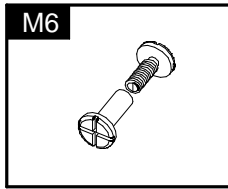
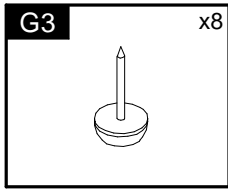
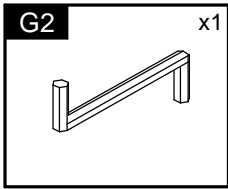
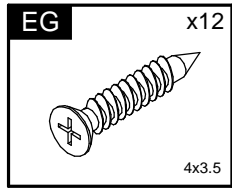
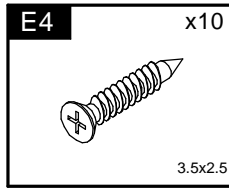
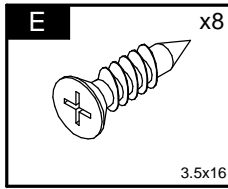
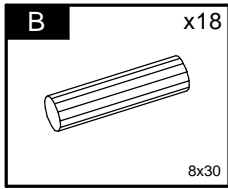
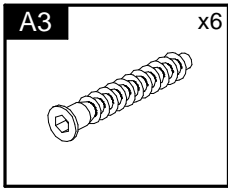


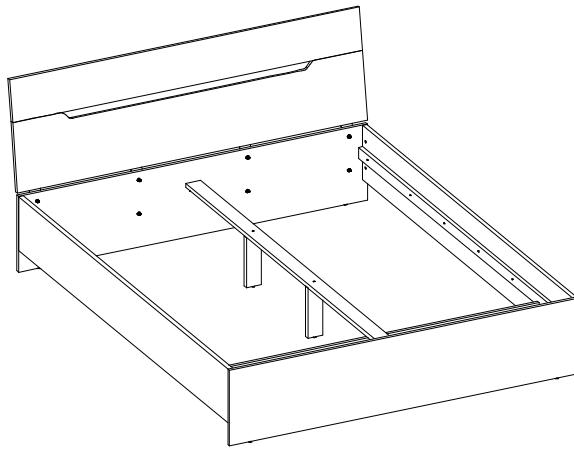
VALLES

Typ Z2

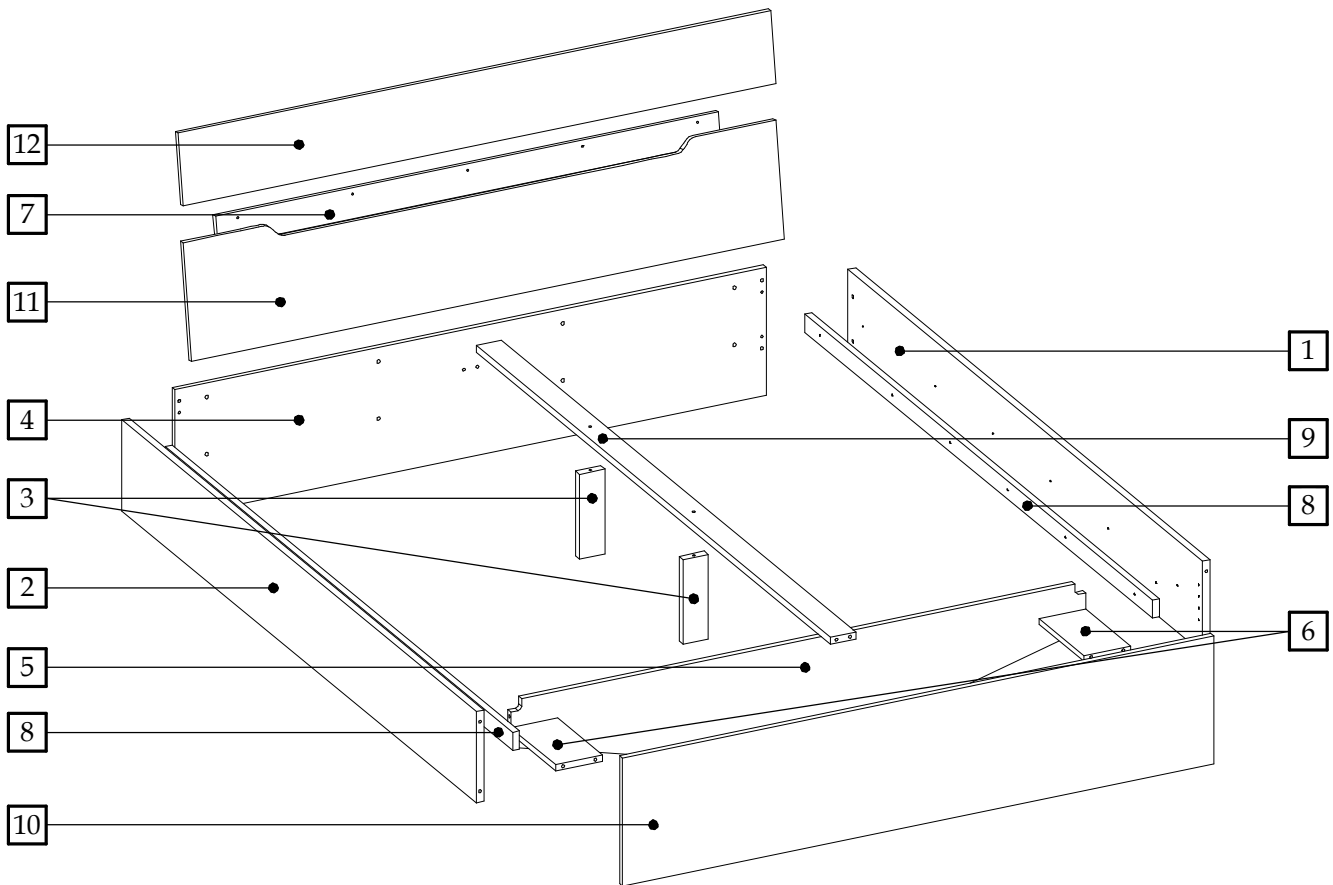






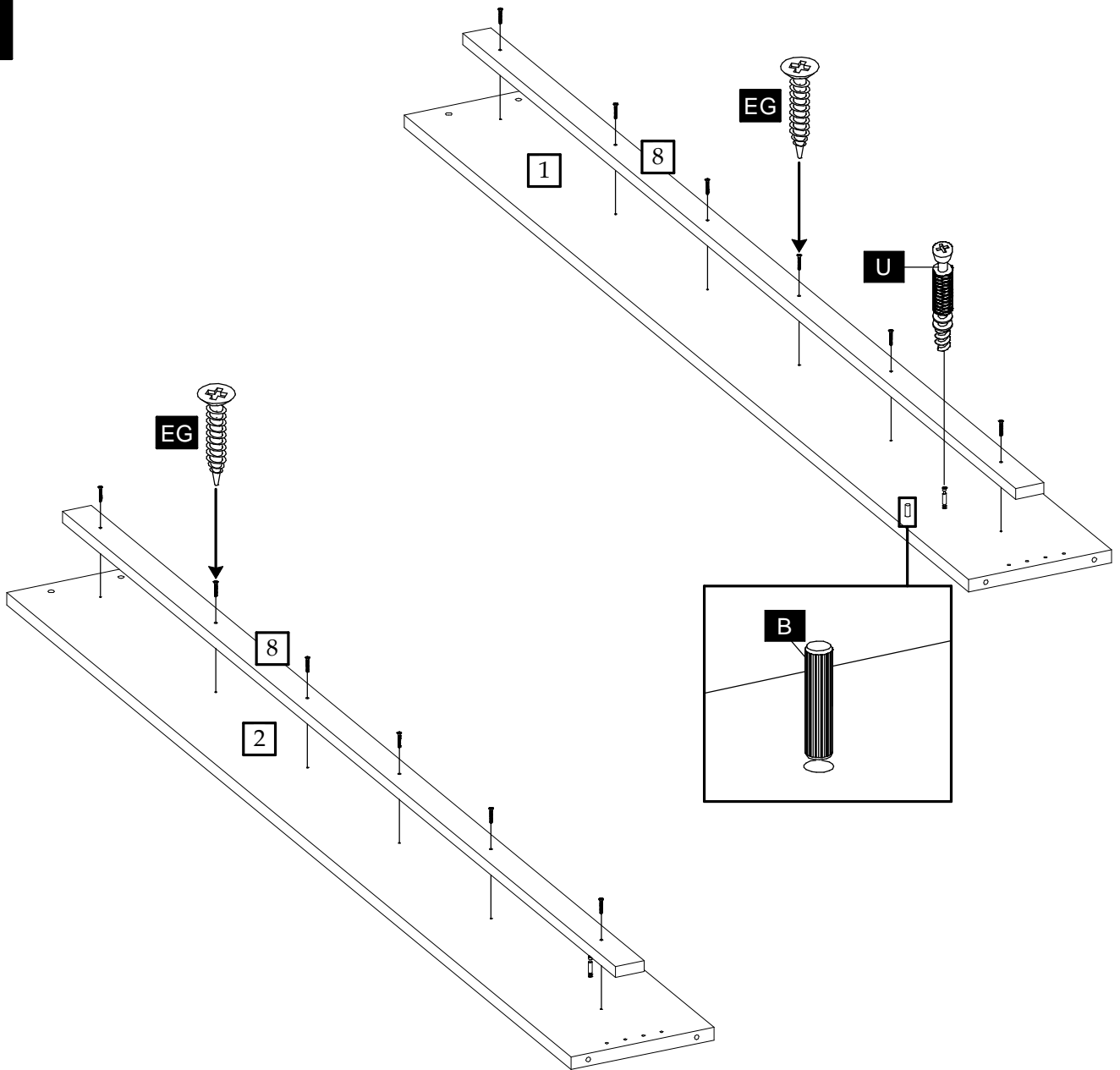


Element symbol	Measurements				Code	Paket
1	1968	250	22	1	1004	1/1
2	1968	250	22	1	1012	
3	232	70	22	2	1006	
4	1652	350	16	1	1003	
5	1606	232	16	1	1005	
6	250	130	16	2	1008	
7	1400	100	16	1	1015	
8	1928	50	19	2	1013	
9	1968	70	19	1	1001	
10	1652	350	16	1	3002	
11	1656	310	16	1	3004	
12	1656	190	16	1	3003	

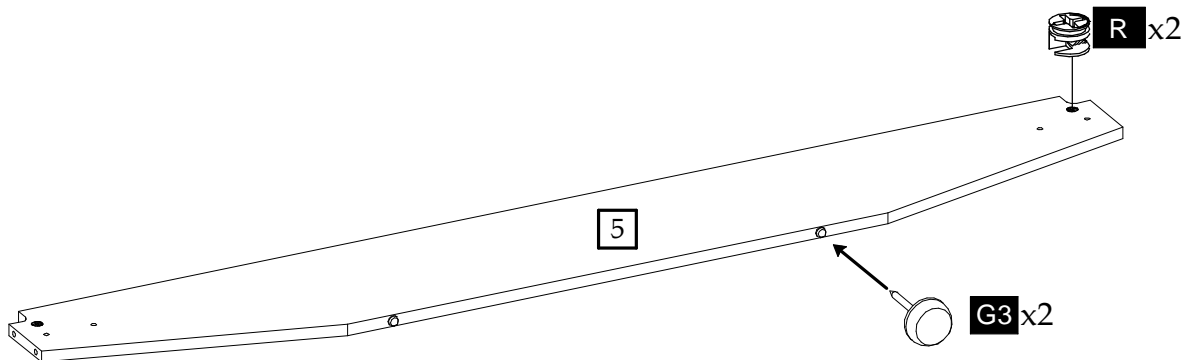




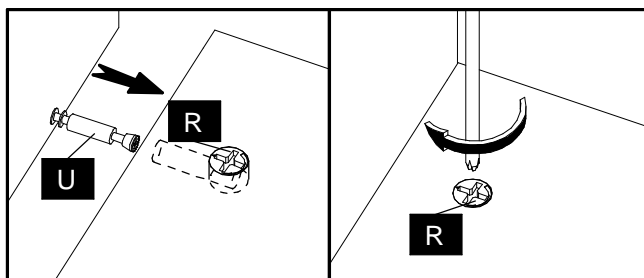
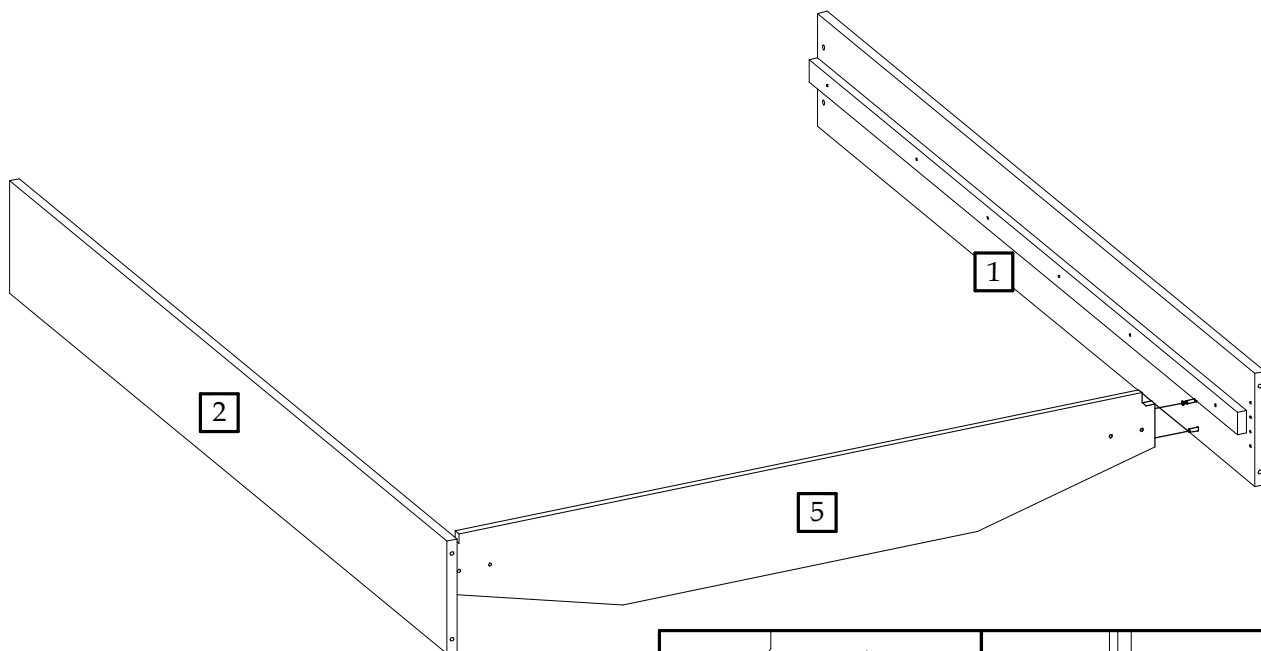
1



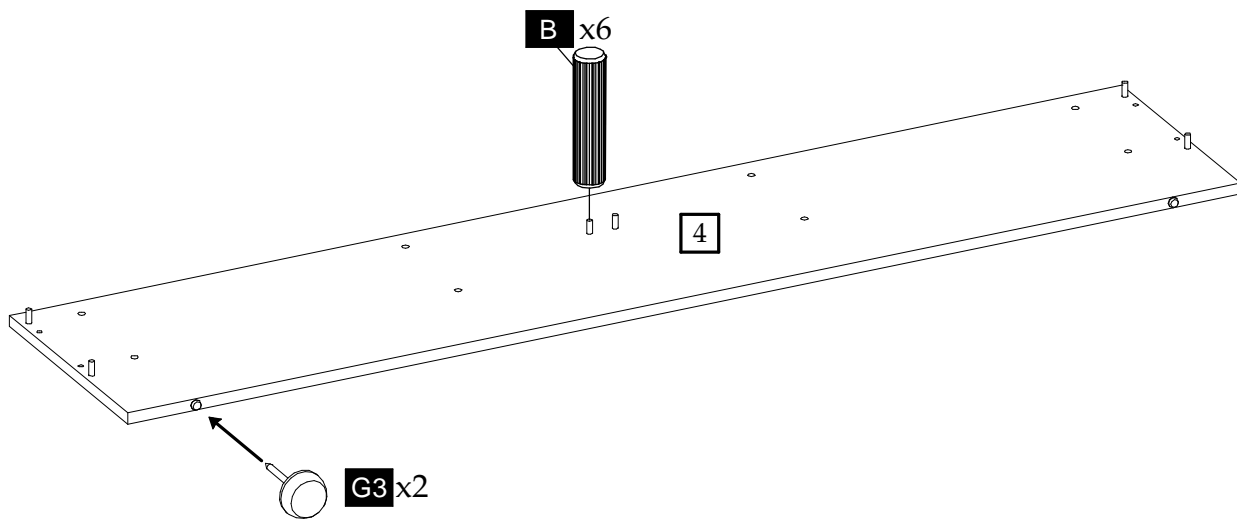
2



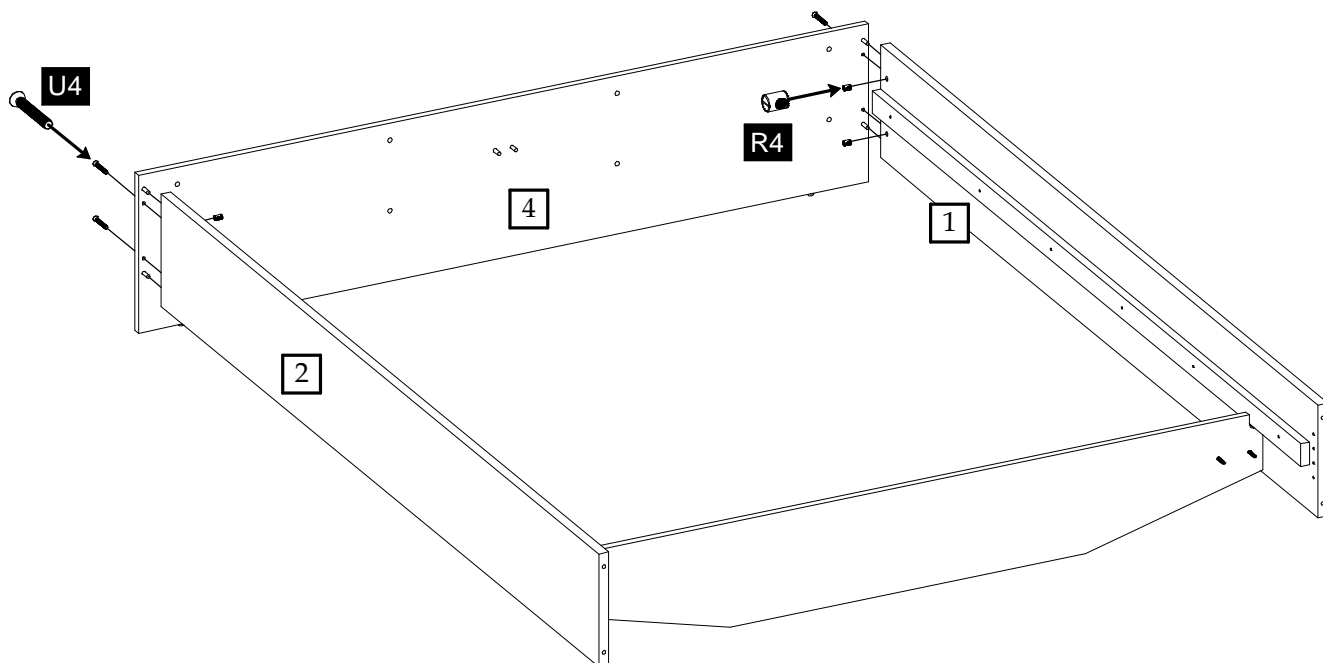
3



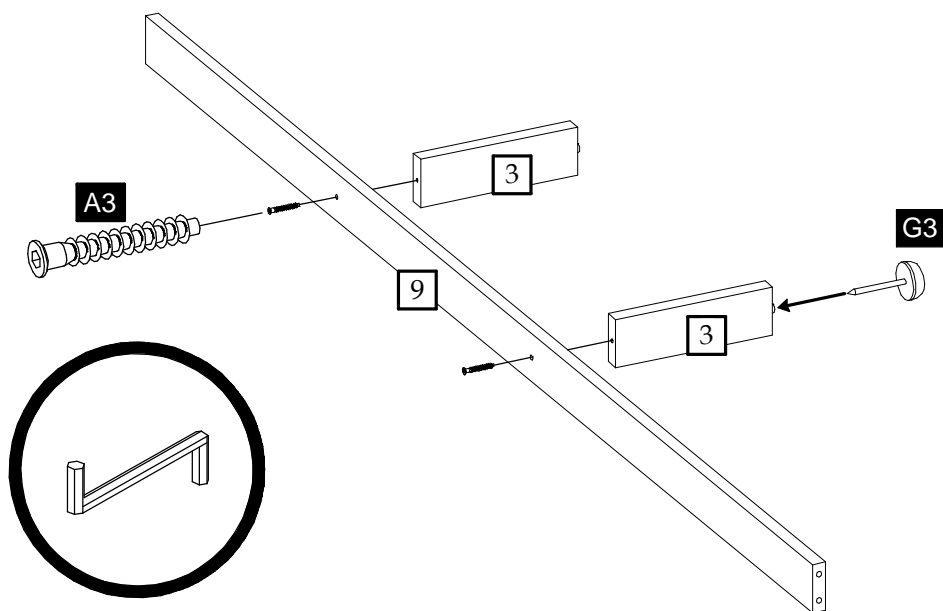
4



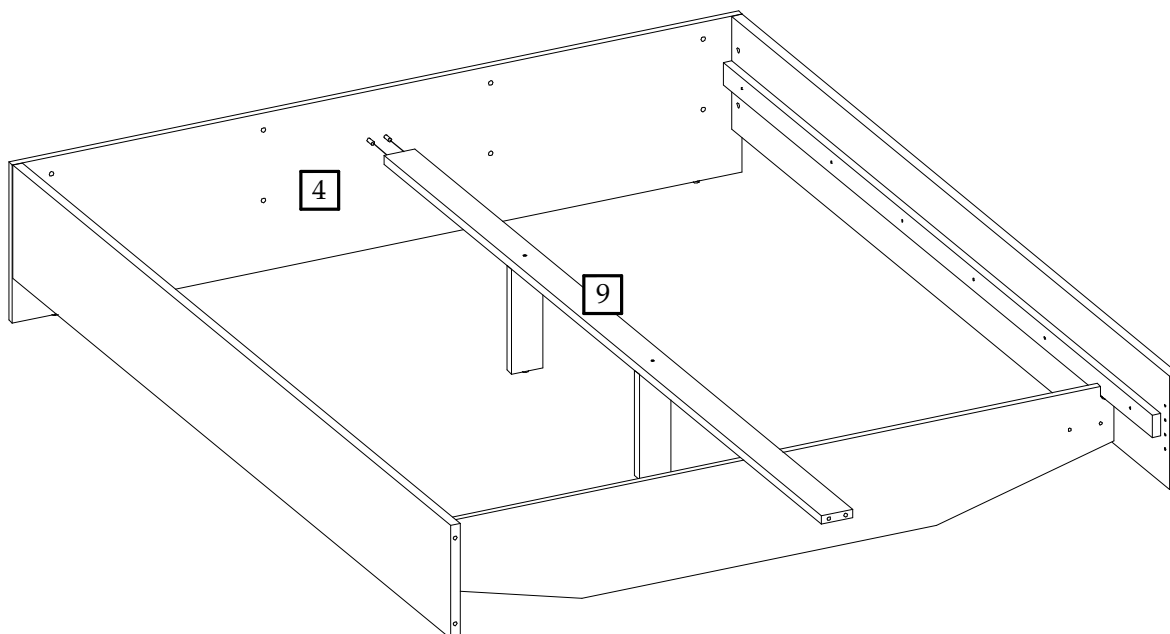
5



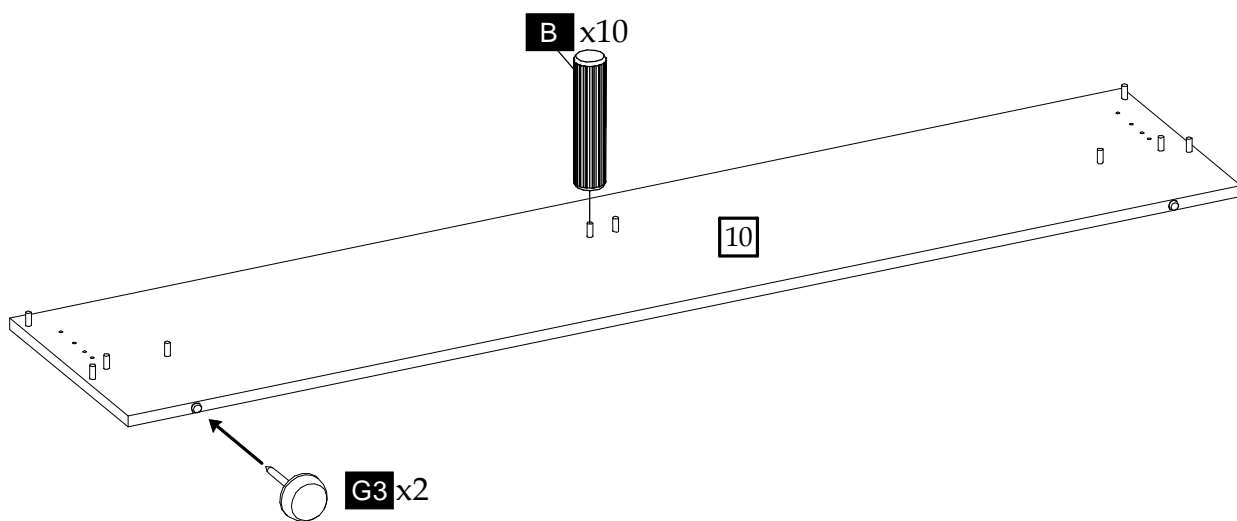
6



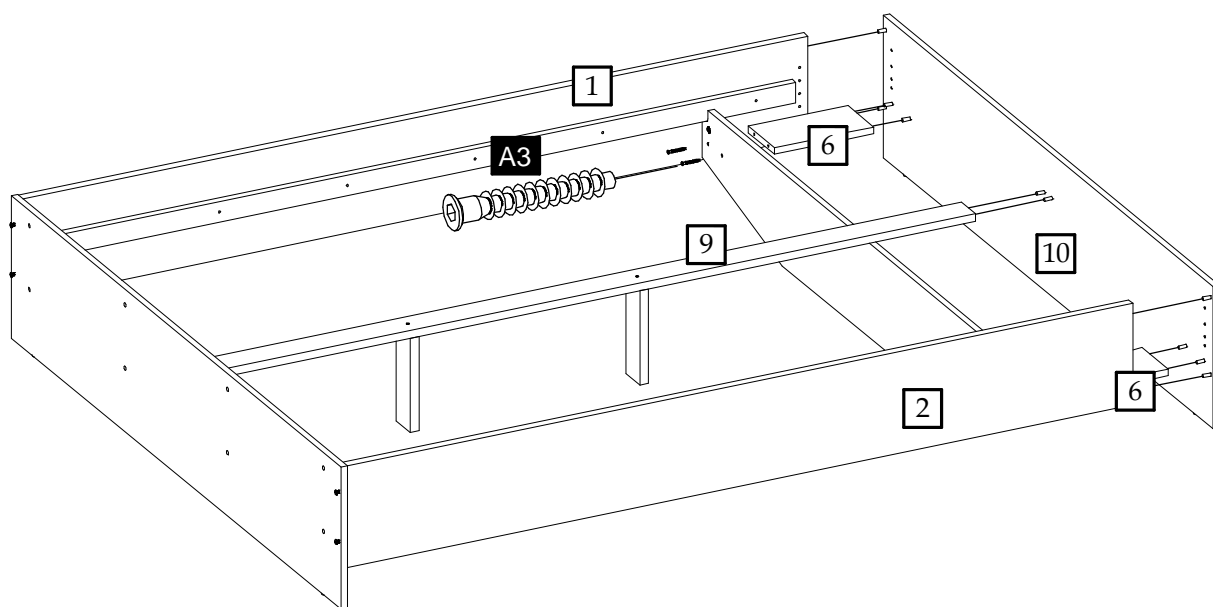
7



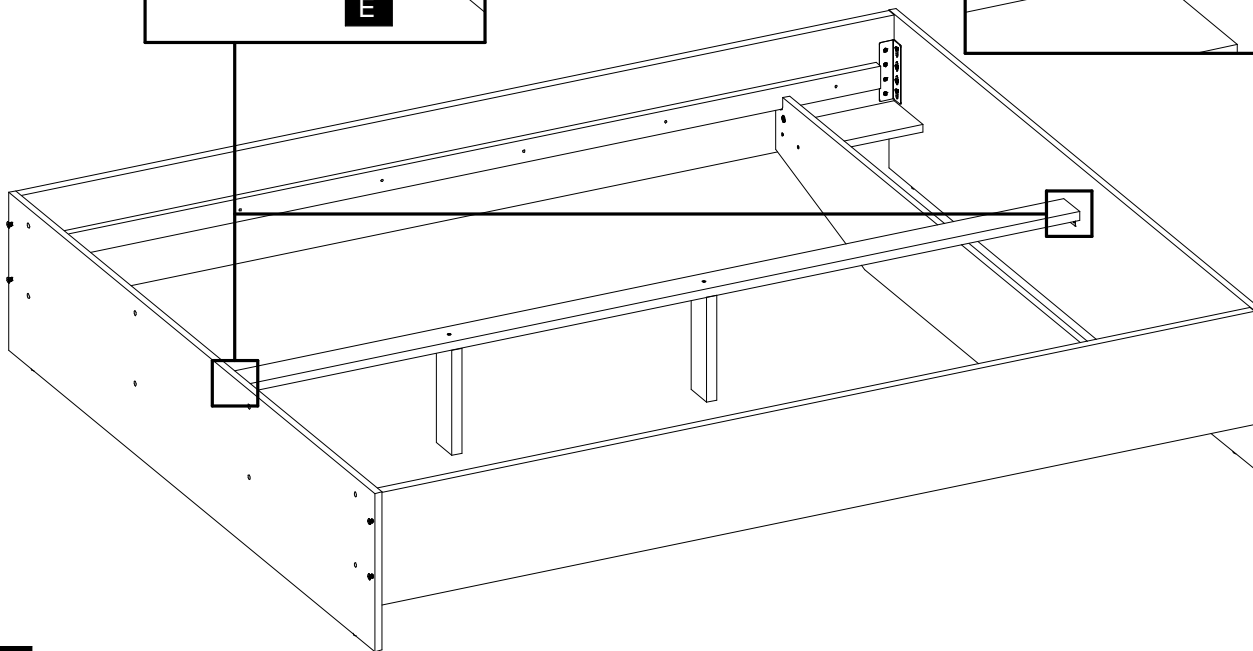
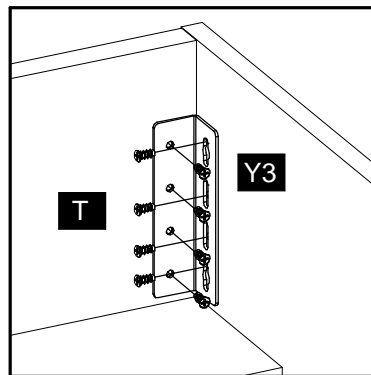
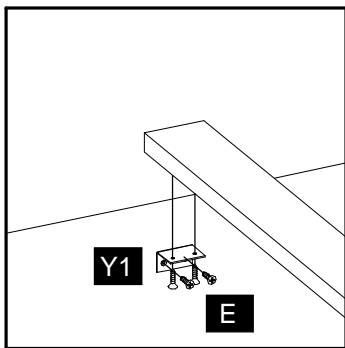
8



9

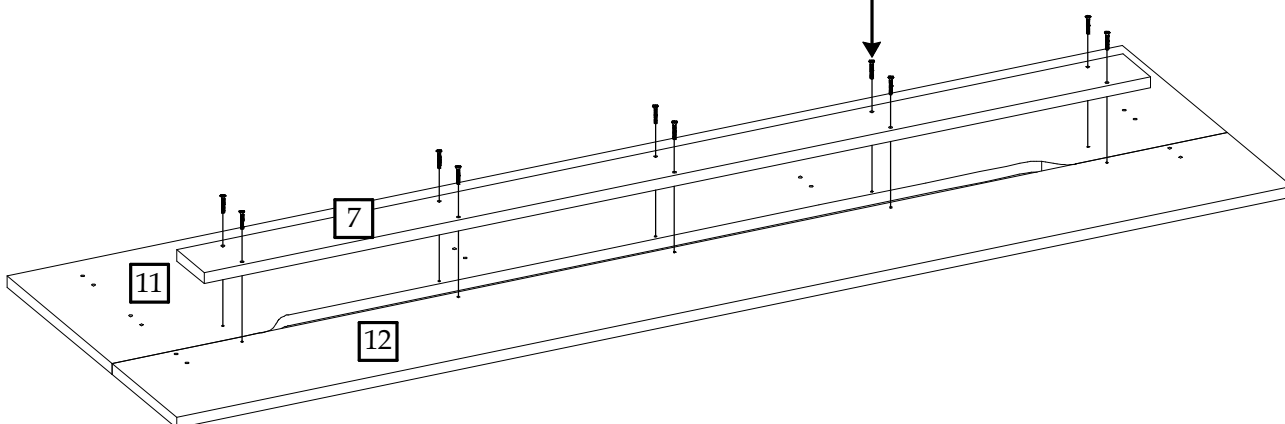


10

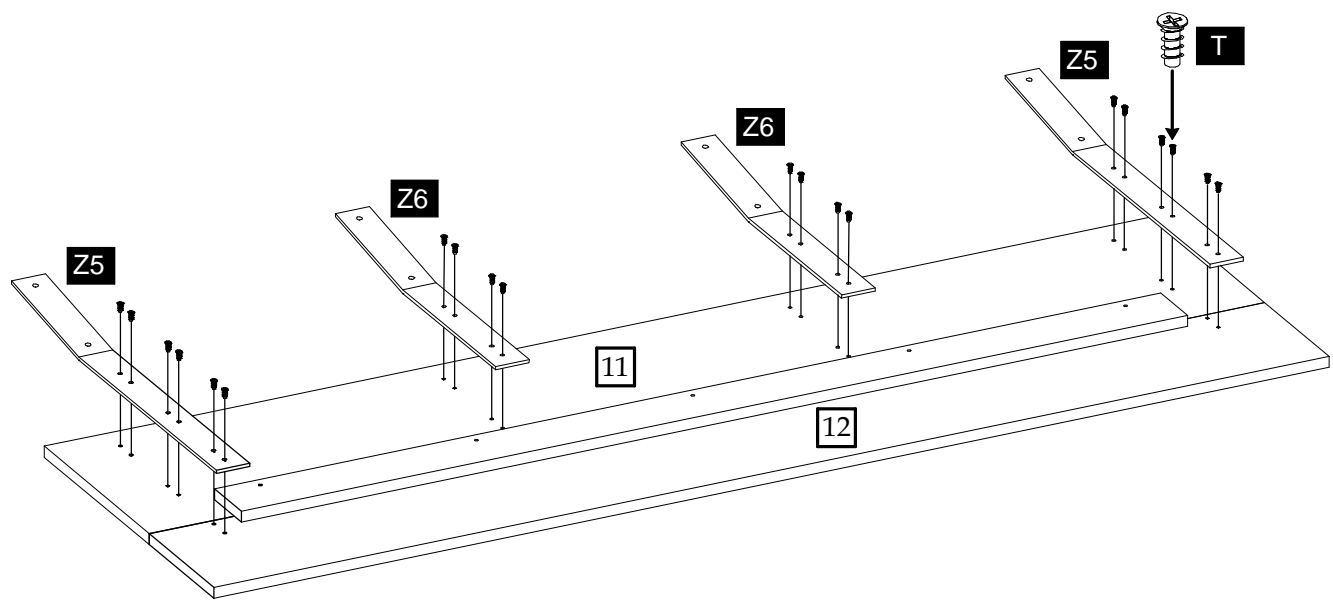


11

EG
x10



12



13

