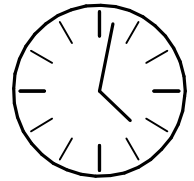
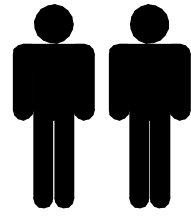
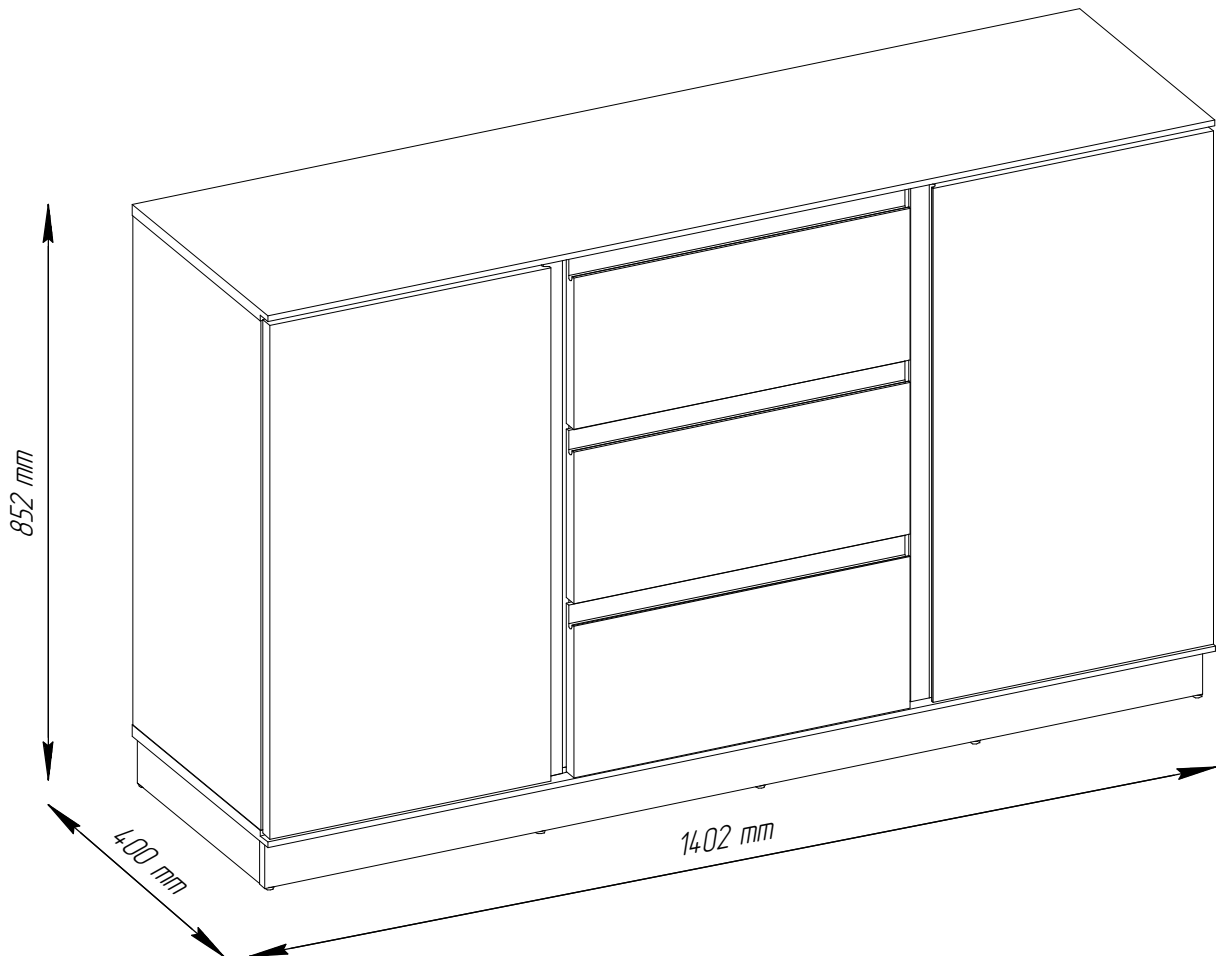


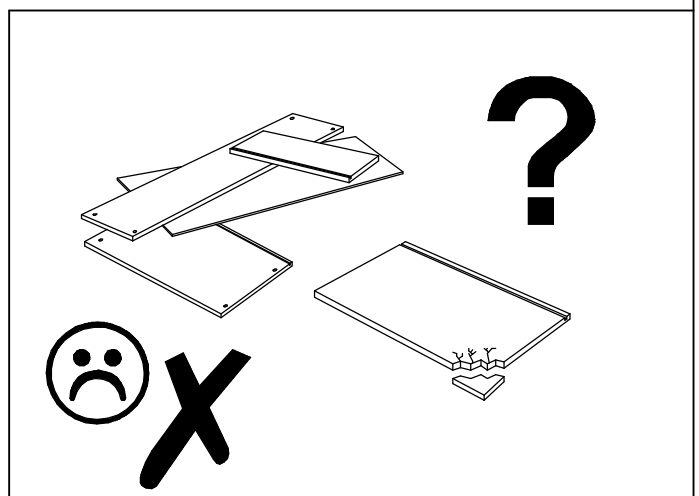
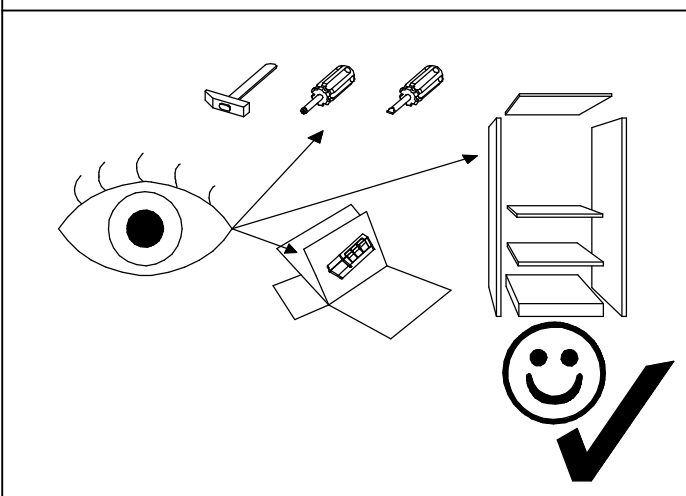
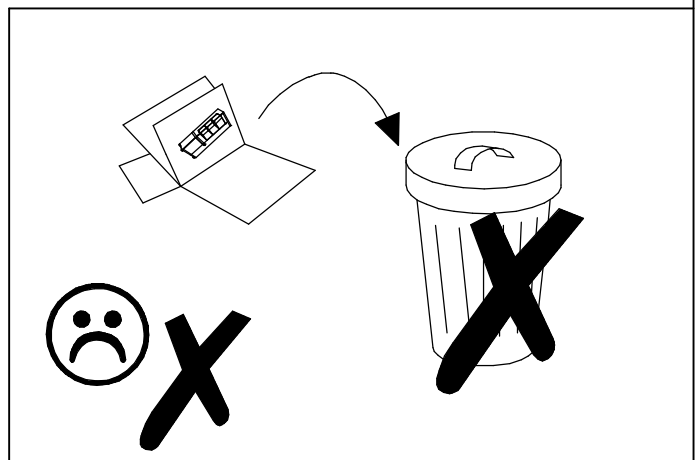
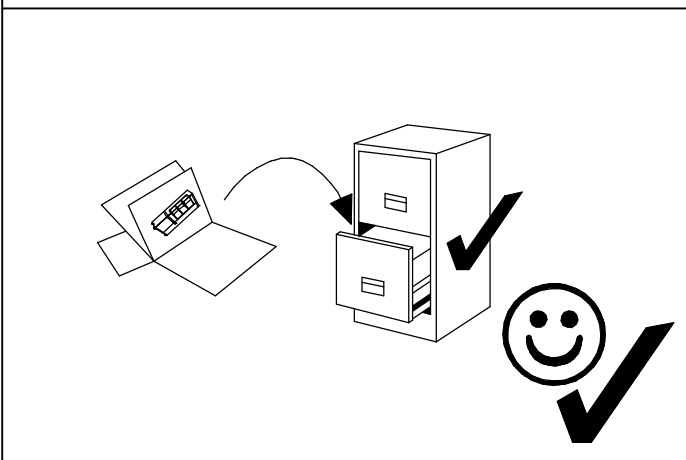
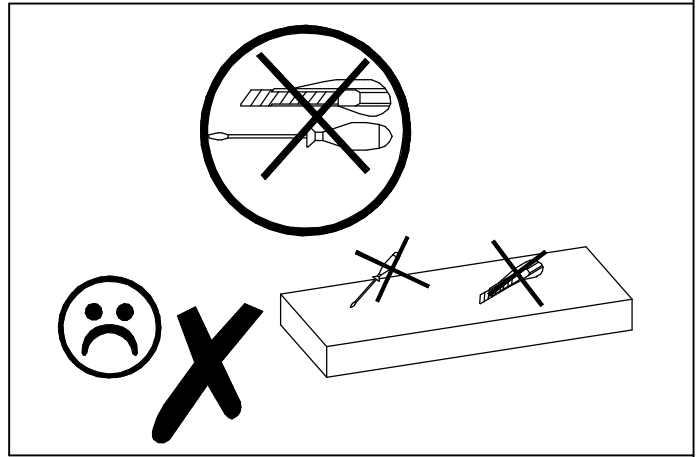
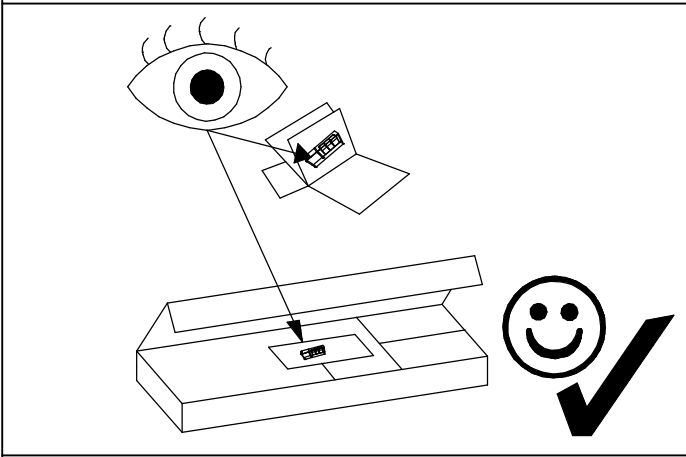
# ALLES

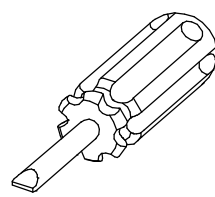
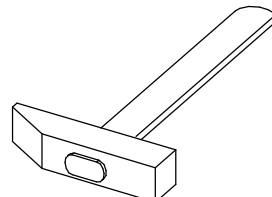
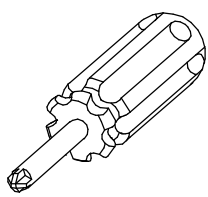
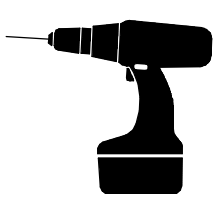
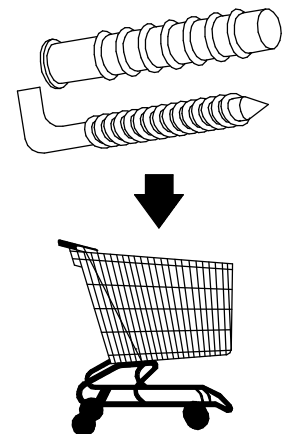
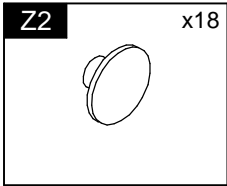
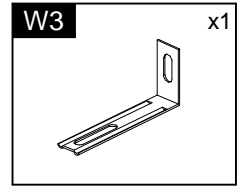
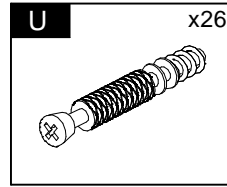
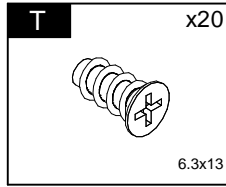
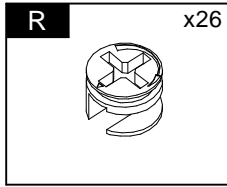
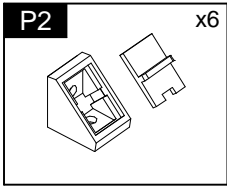
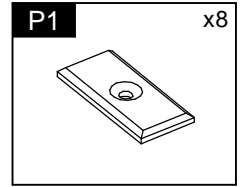
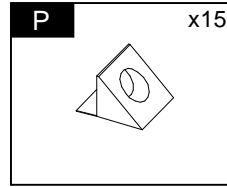
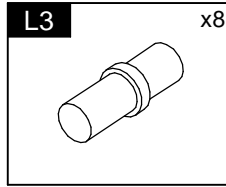
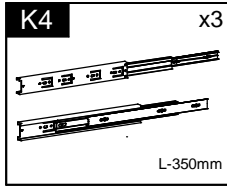
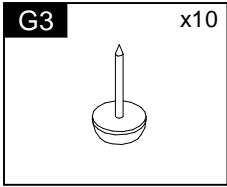
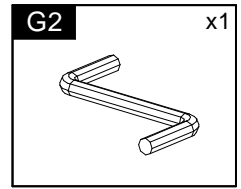
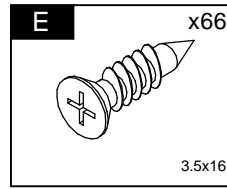
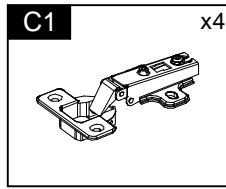
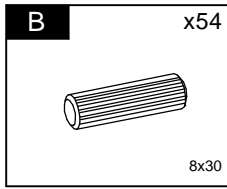
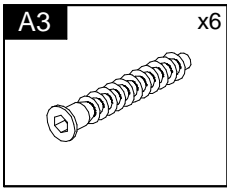
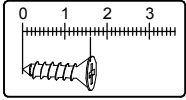
## Typ E

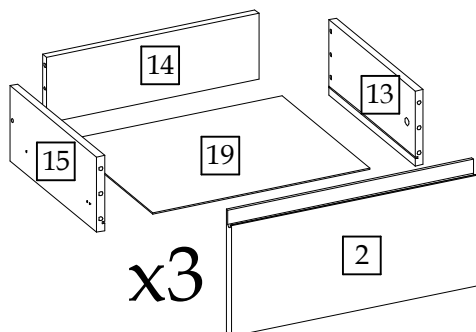
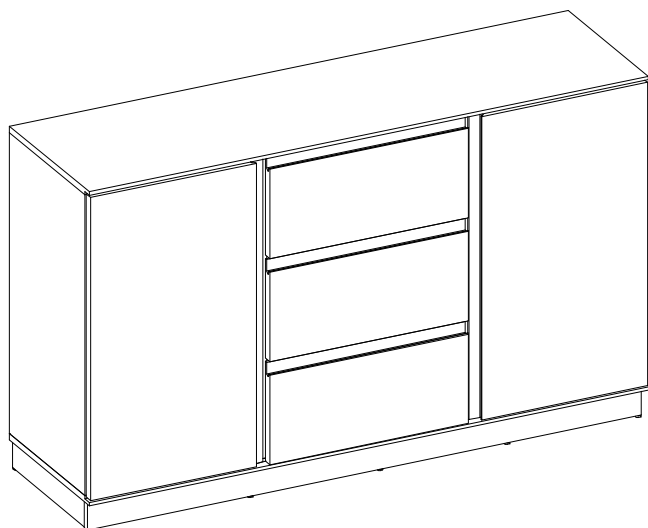


80 min

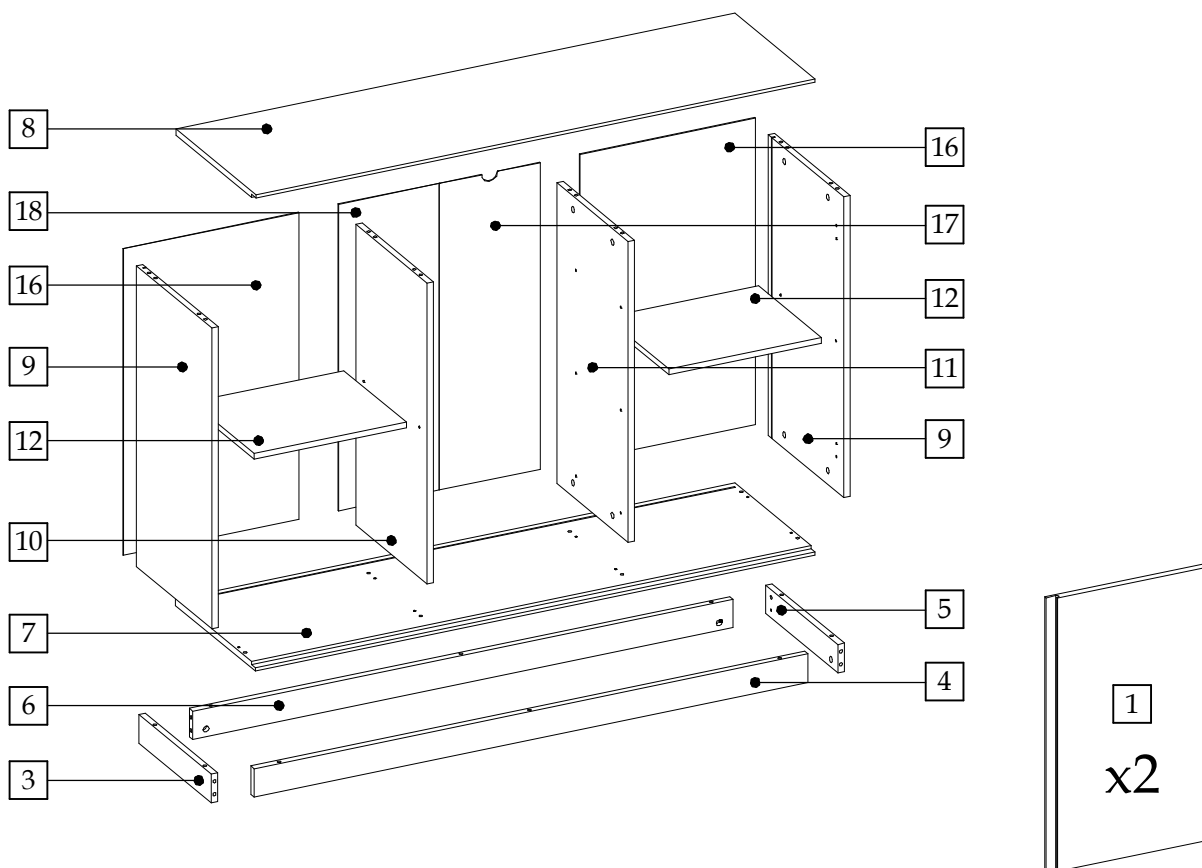


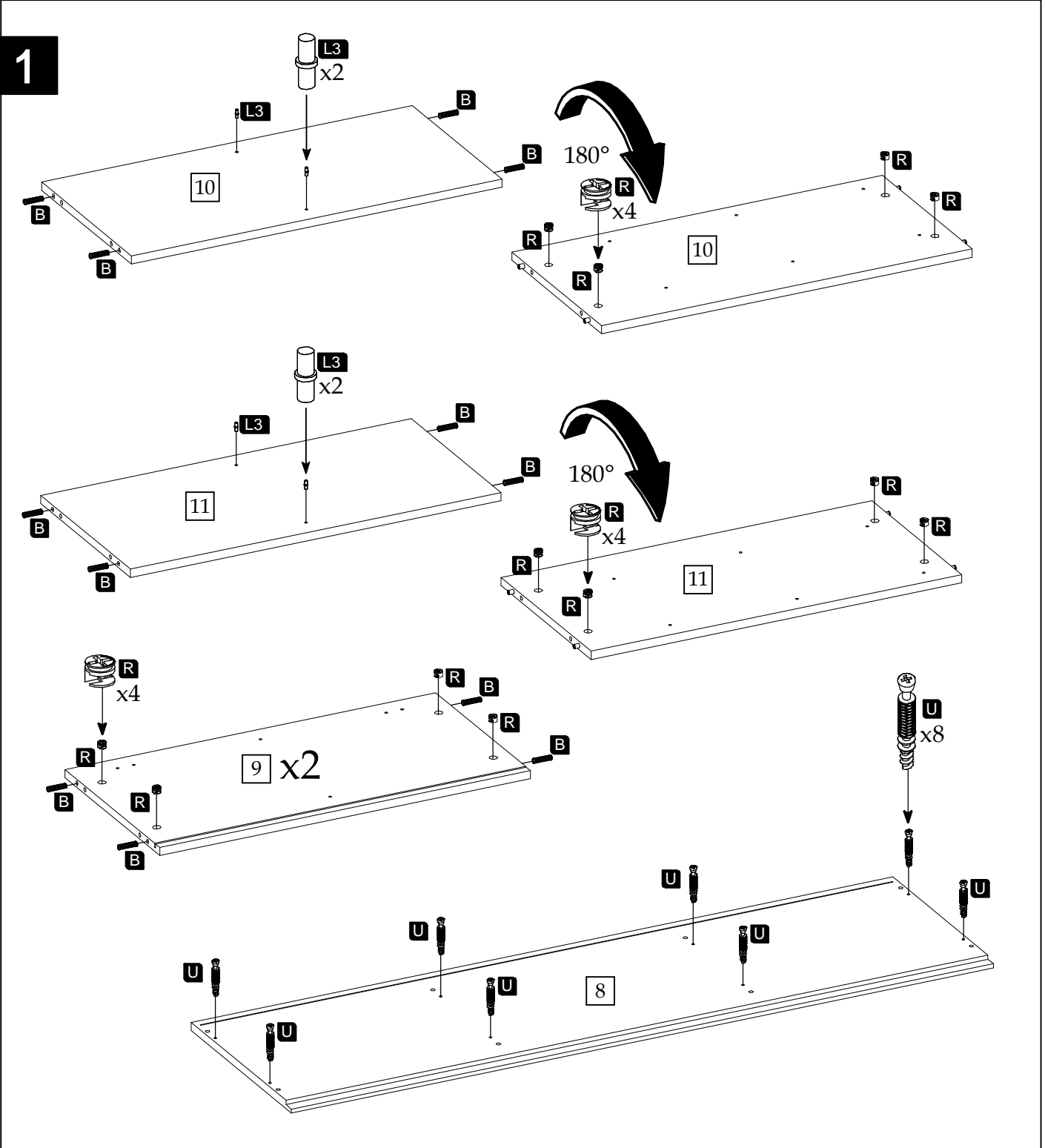


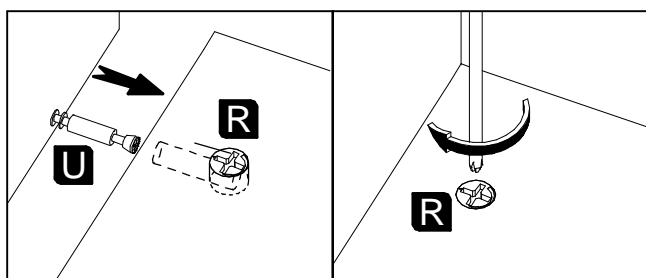
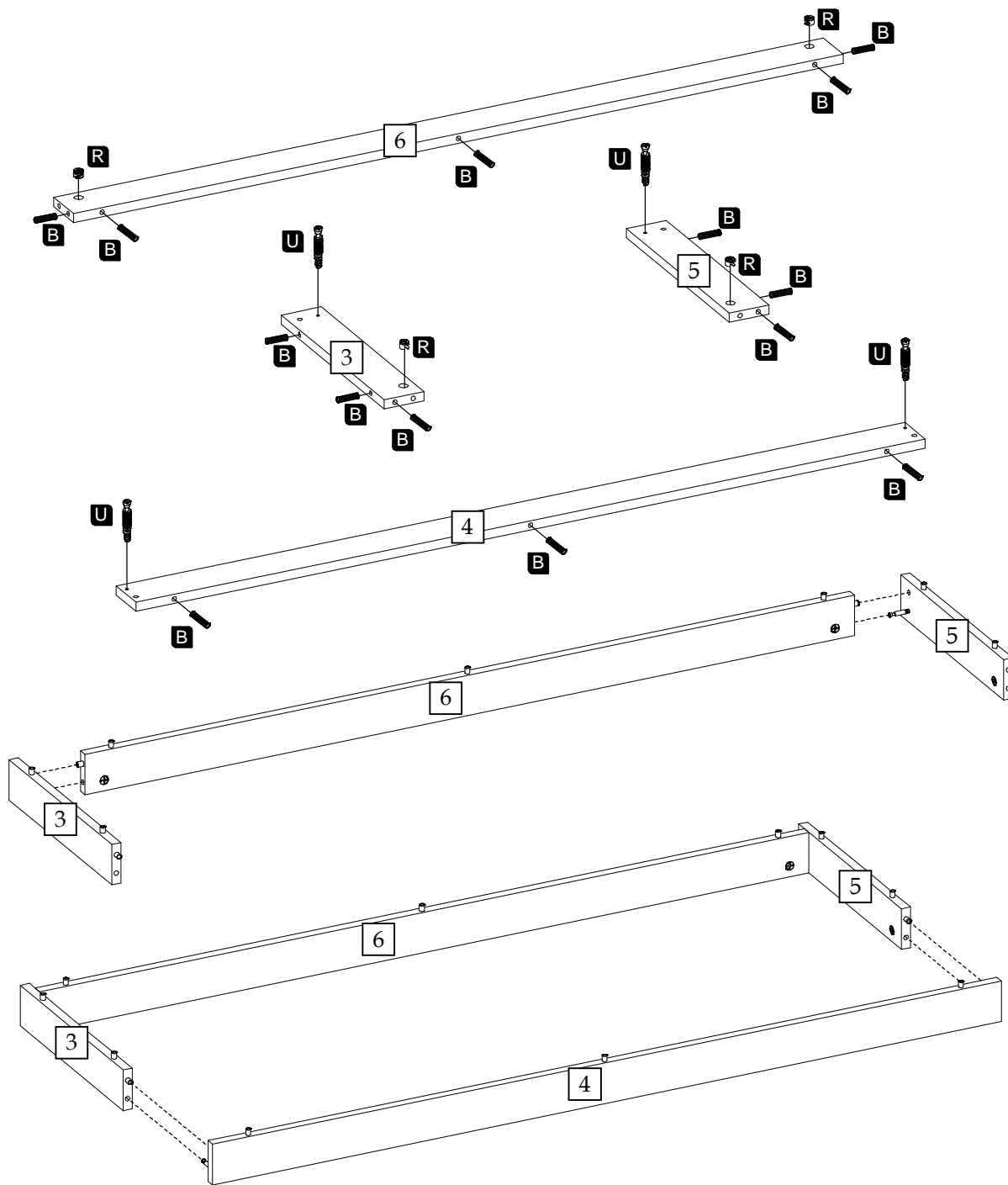


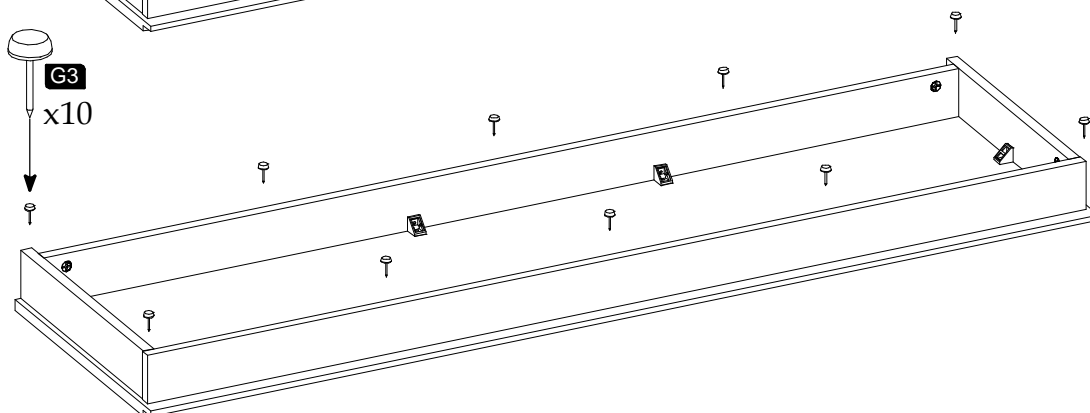
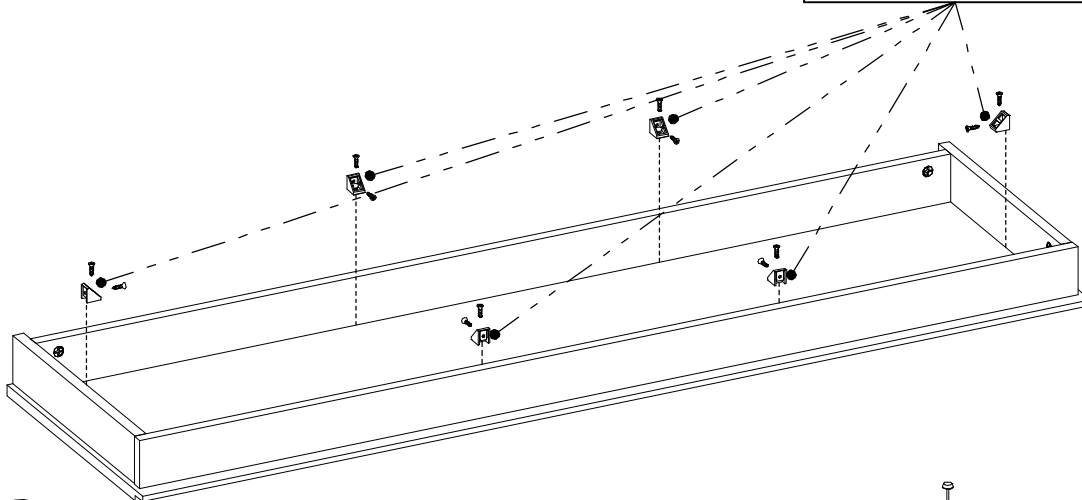
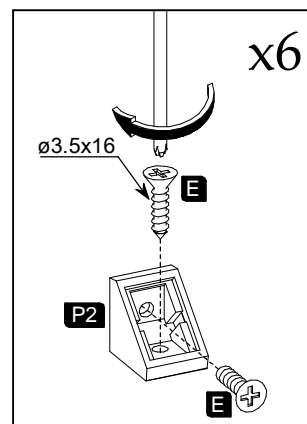
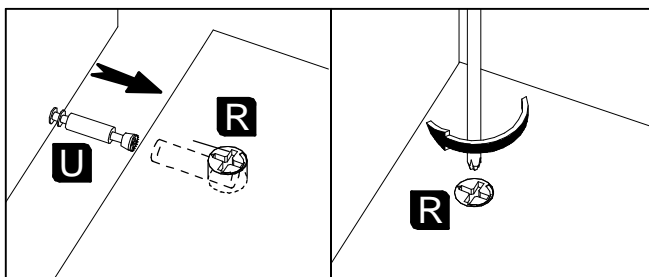
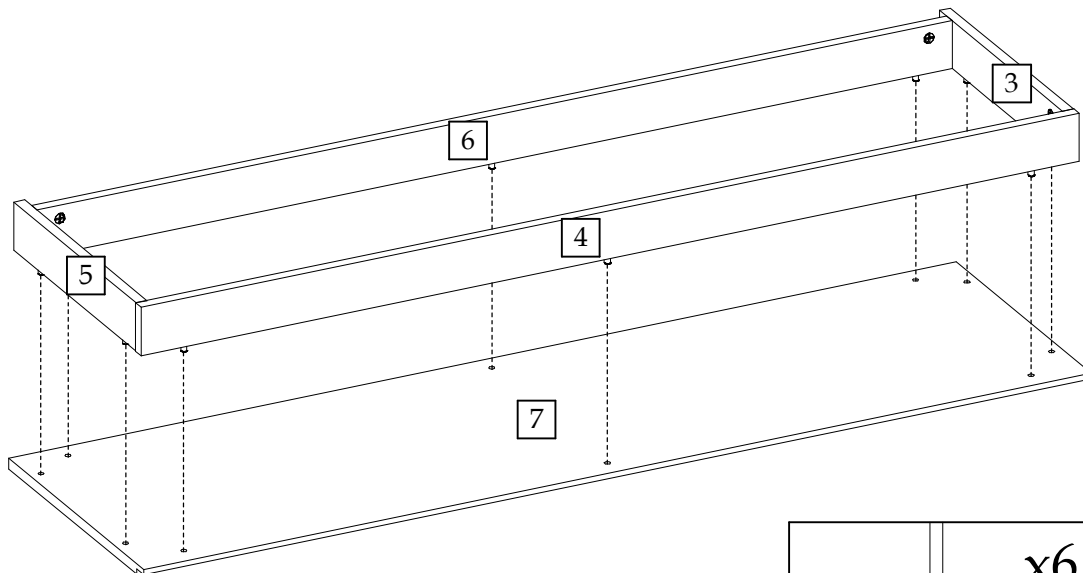


| Element symbol | Measurements |       |    |   | Code | Paket |
|----------------|--------------|-------|----|---|------|-------|
|                |              |       |    |   |      |       |
| 1              | 756          | 445   | 22 | 2 | 1013 |       |
| 2              | 500          | 250   | 22 | 3 | 1014 |       |
| 3              | 361          | 70    | 16 | 1 | 1001 |       |
| 4              | 1388         | 70    | 16 | 1 | 1002 |       |
| 5              | 361          | 70    | 16 | 1 | 1003 |       |
| 6              | 1354         | 70    | 16 | 1 | 1004 |       |
| 7              | 1402         | 400   | 16 | 1 | 1005 |       |
| 8              | 1402         | 400   | 16 | 1 | 1006 |       |
| 9              | 740          | 377.5 | 16 | 2 | 1007 |       |
| 10             | 740          | 357.5 | 16 | 1 | 1009 |       |
| 11             | 740          | 357.5 | 16 | 1 | 1010 |       |
| 12             | 424          | 345   | 16 | 2 | N/A  |       |
| 13             | 350.5        | 150   | 16 | 3 | 1015 |       |
| 14             | 430.5        | 131.5 | 16 | 3 | 1016 |       |
| 15             | 350.5        | 150   | 16 | 3 | 1017 |       |
| 16             | 754          | 439   | 3  | 2 | N/A  |       |
| 17             | 754          | 252   | 3  | 1 | 1031 |       |
| 18             | 754          | 252   | 3  | 1 | N/A  |       |
| 19             | 440.5        | 355   | 3  | 3 | N/A  |       |

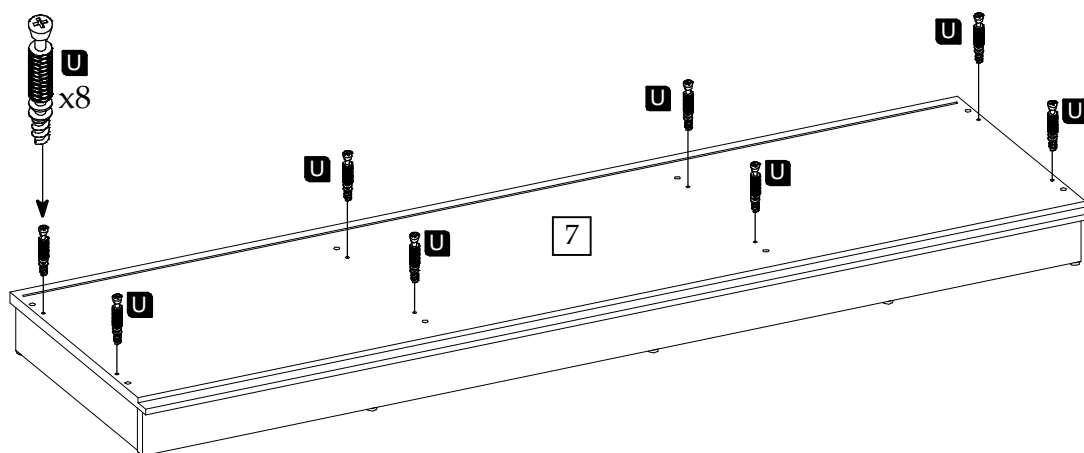




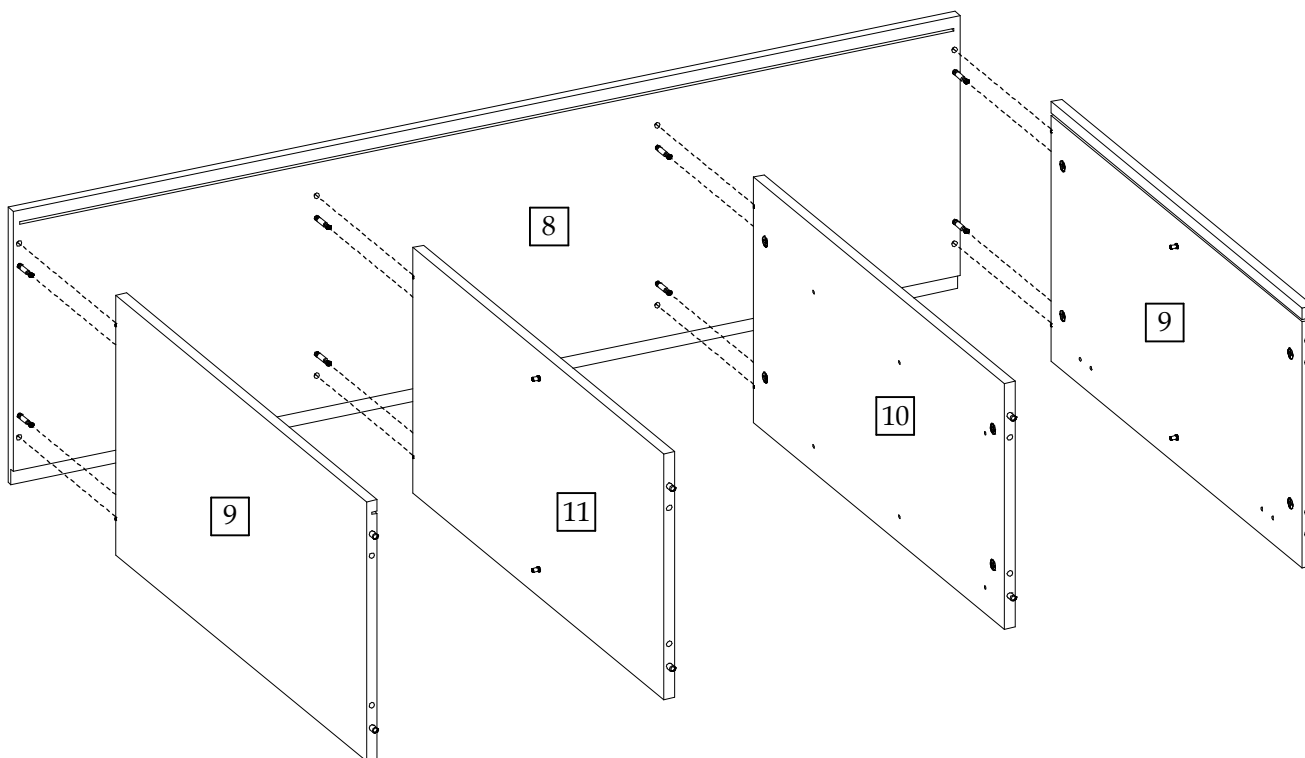
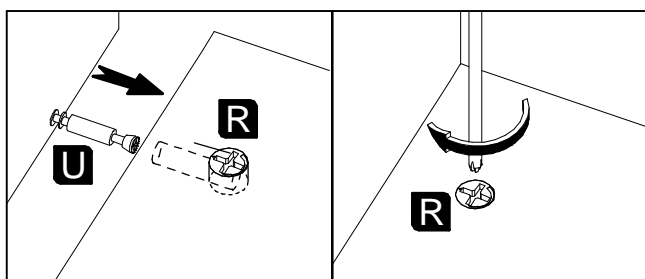




3

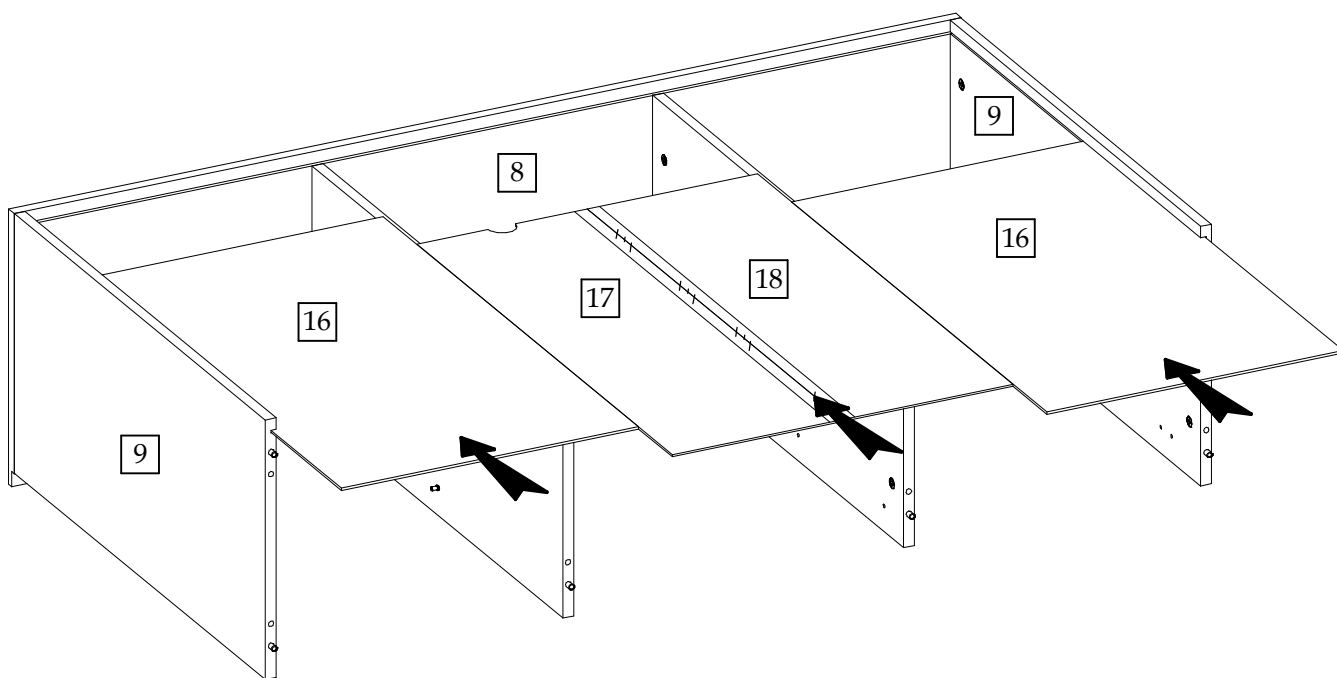


4

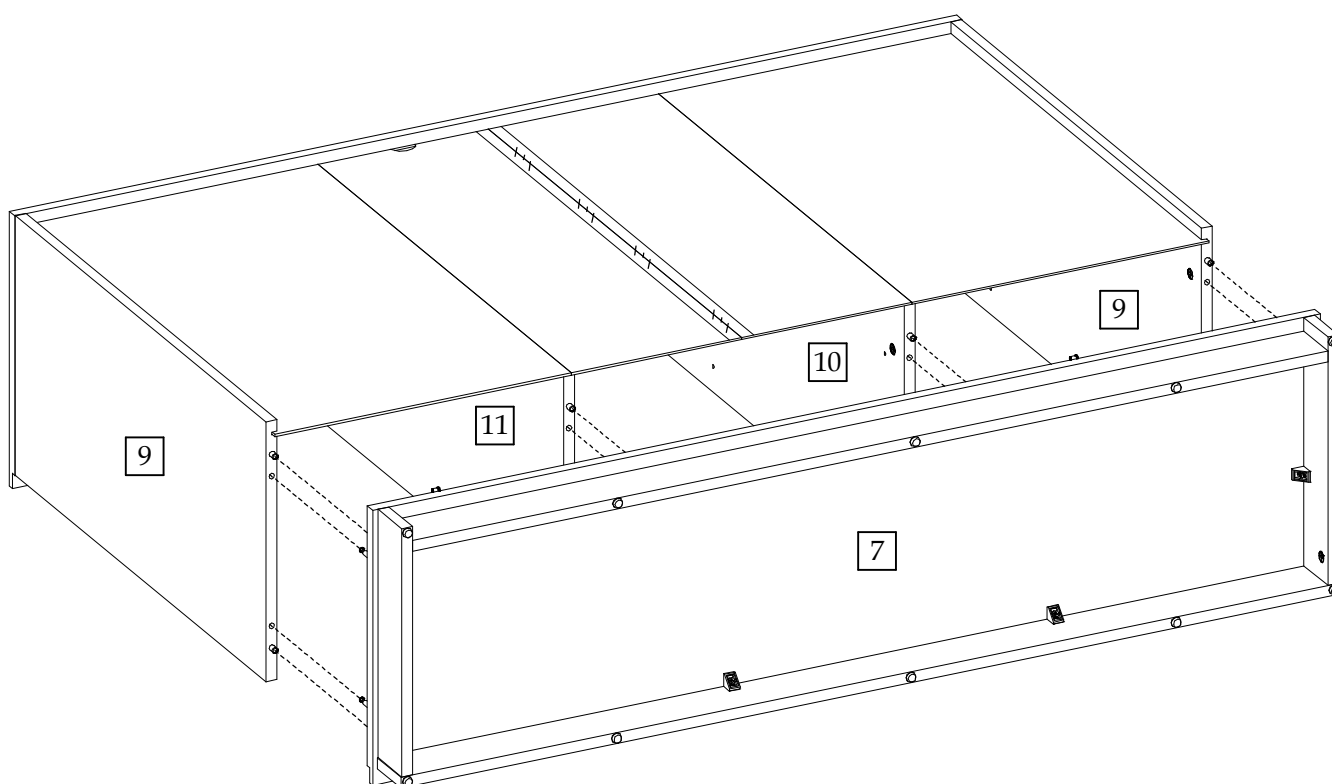
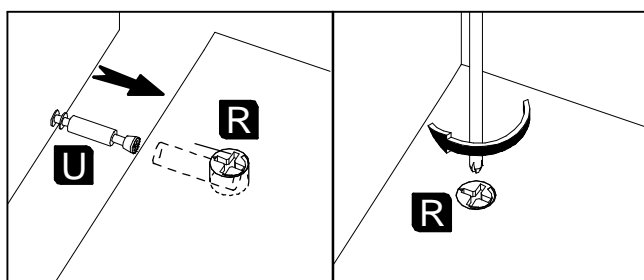


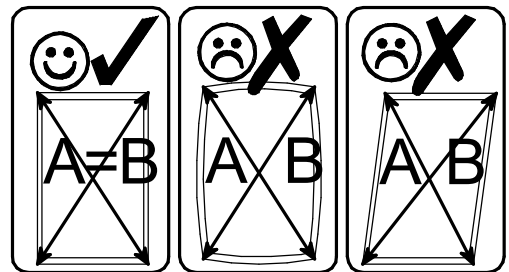
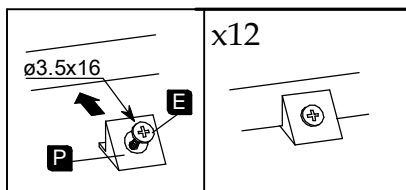
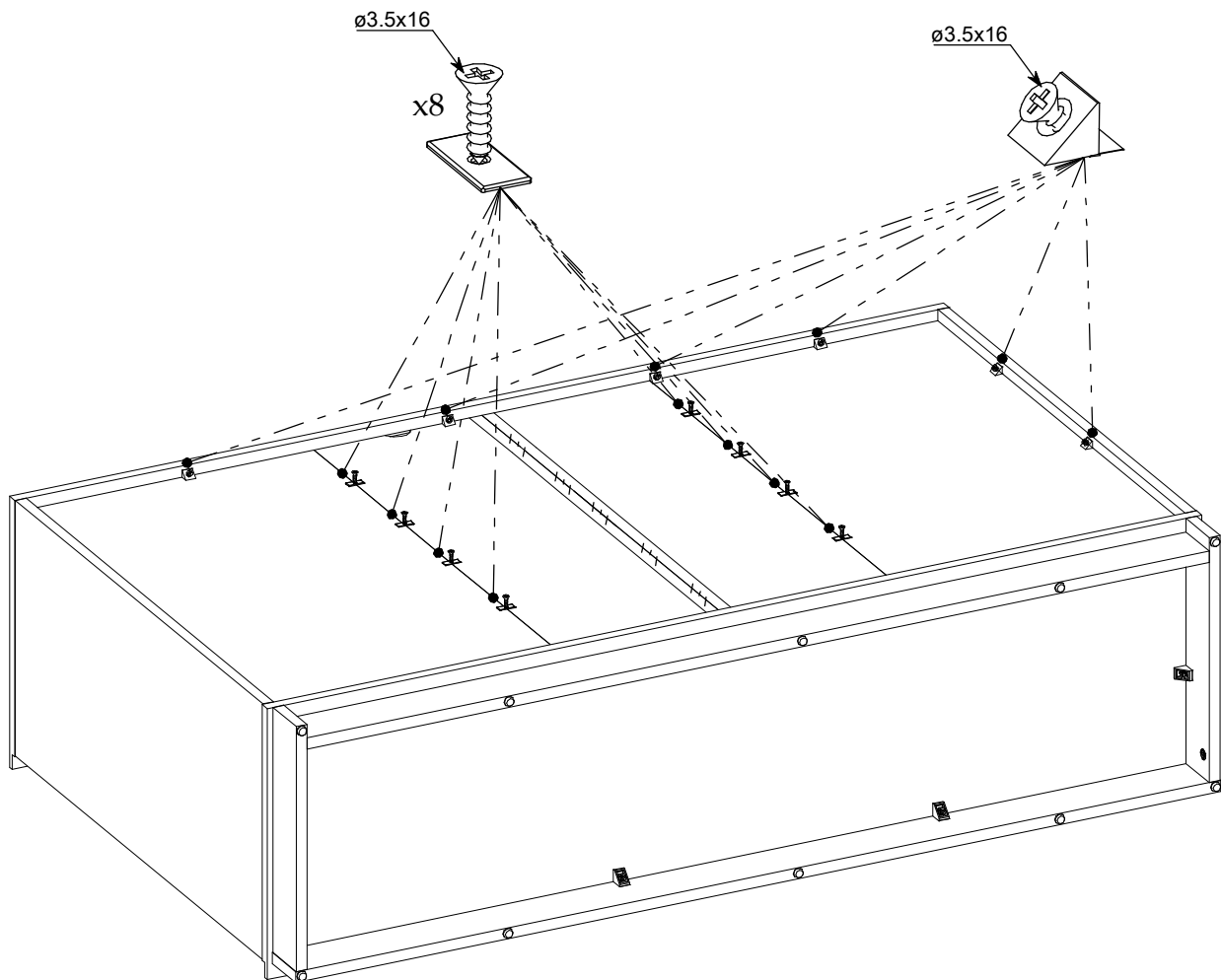


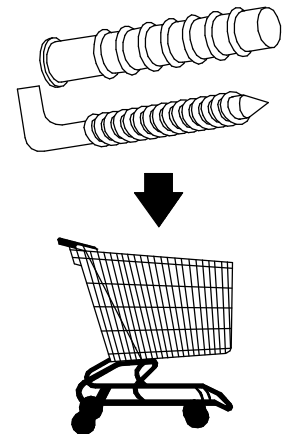
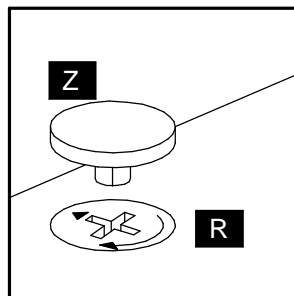
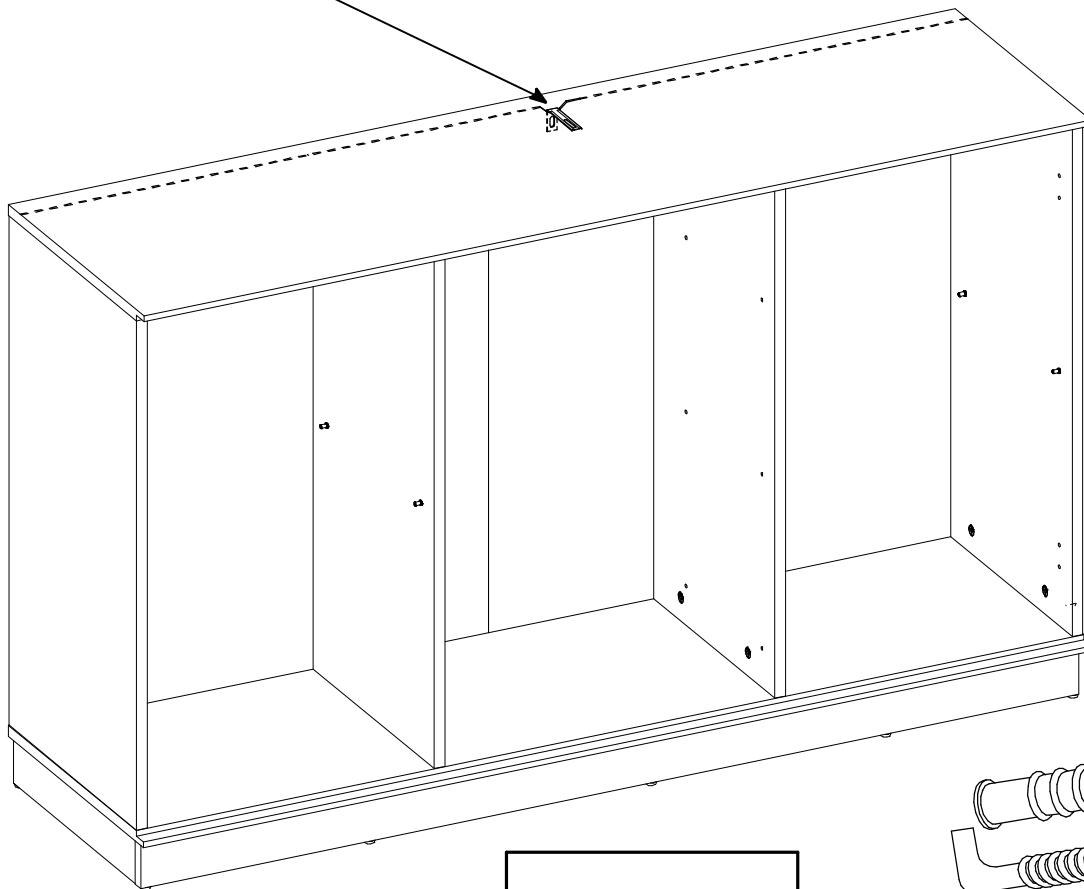
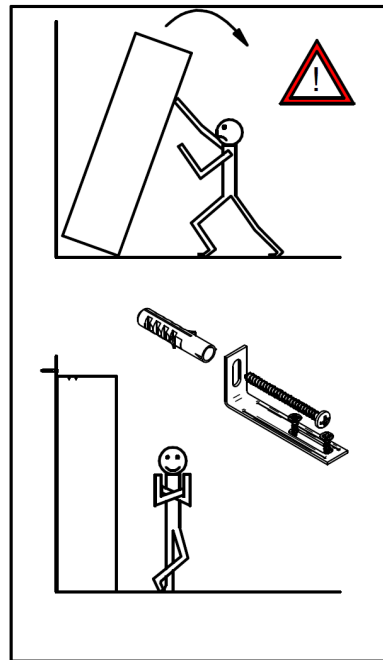
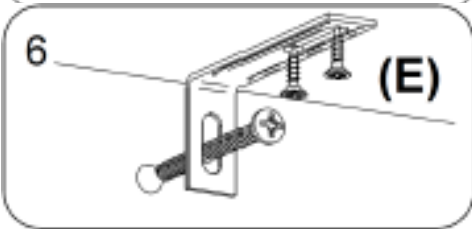
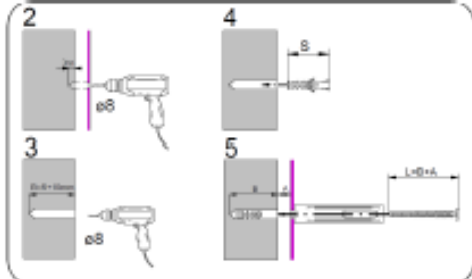
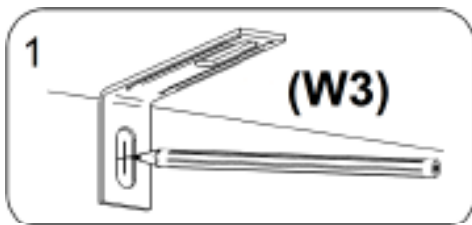
5

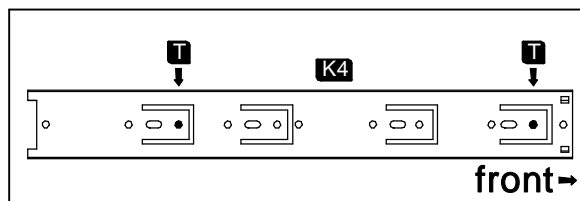
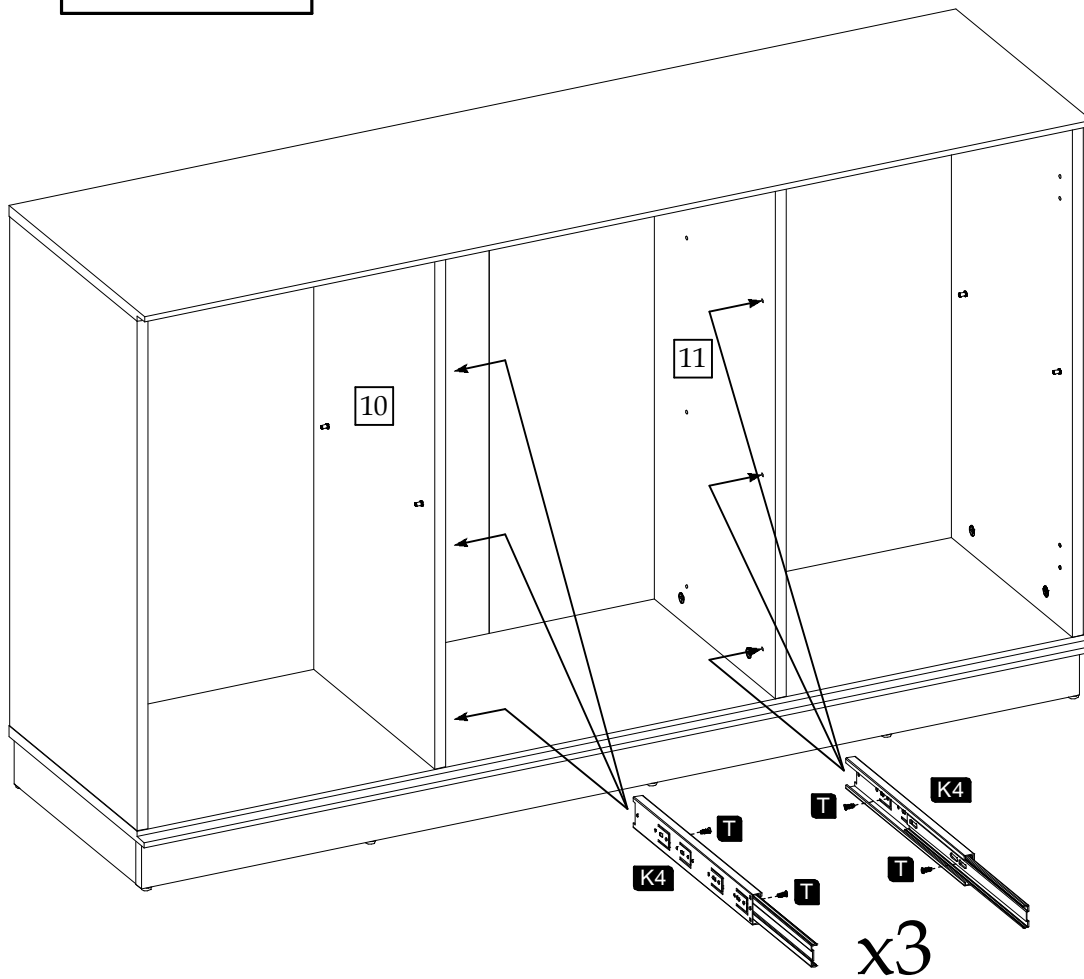
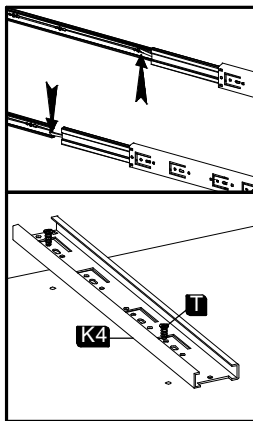


6

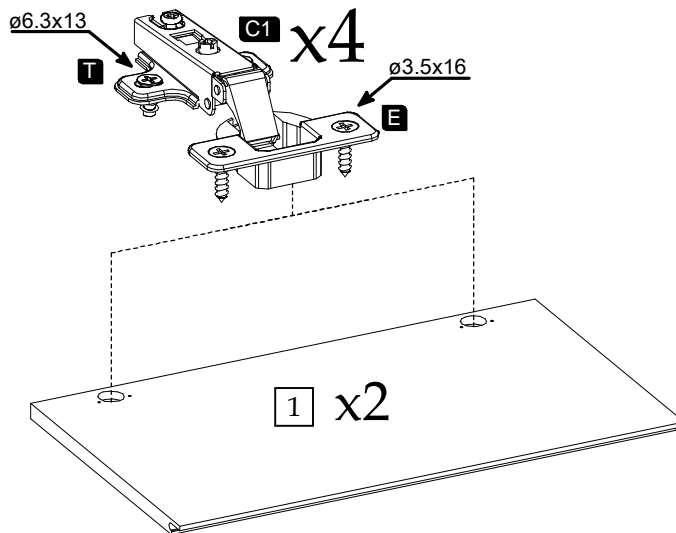








10



11

