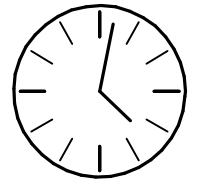
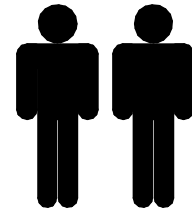
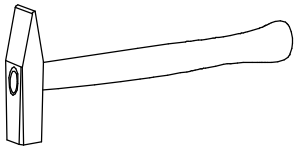
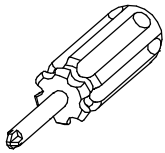
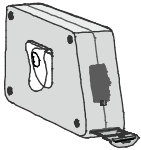
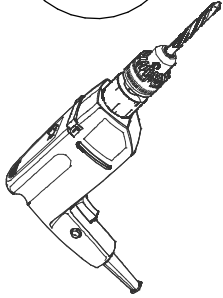
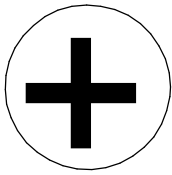
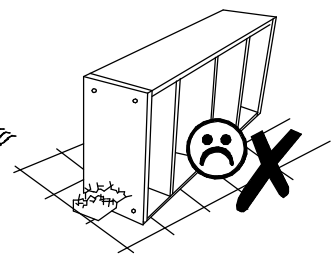
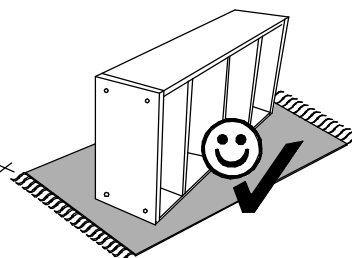
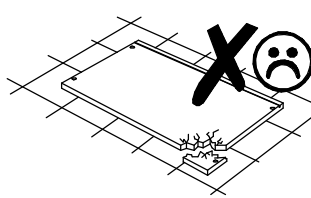
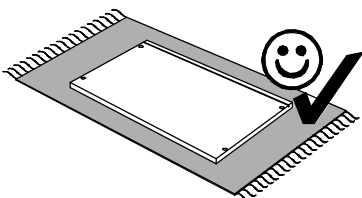
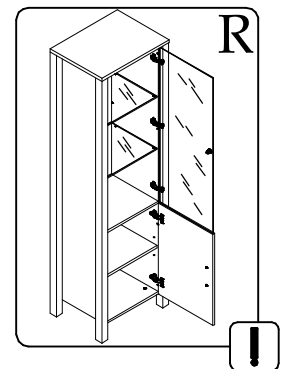
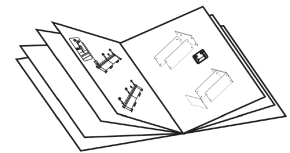
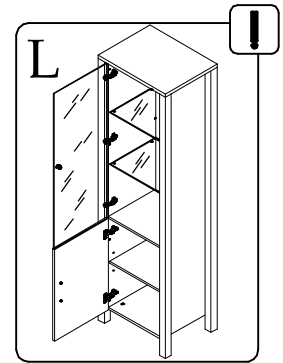
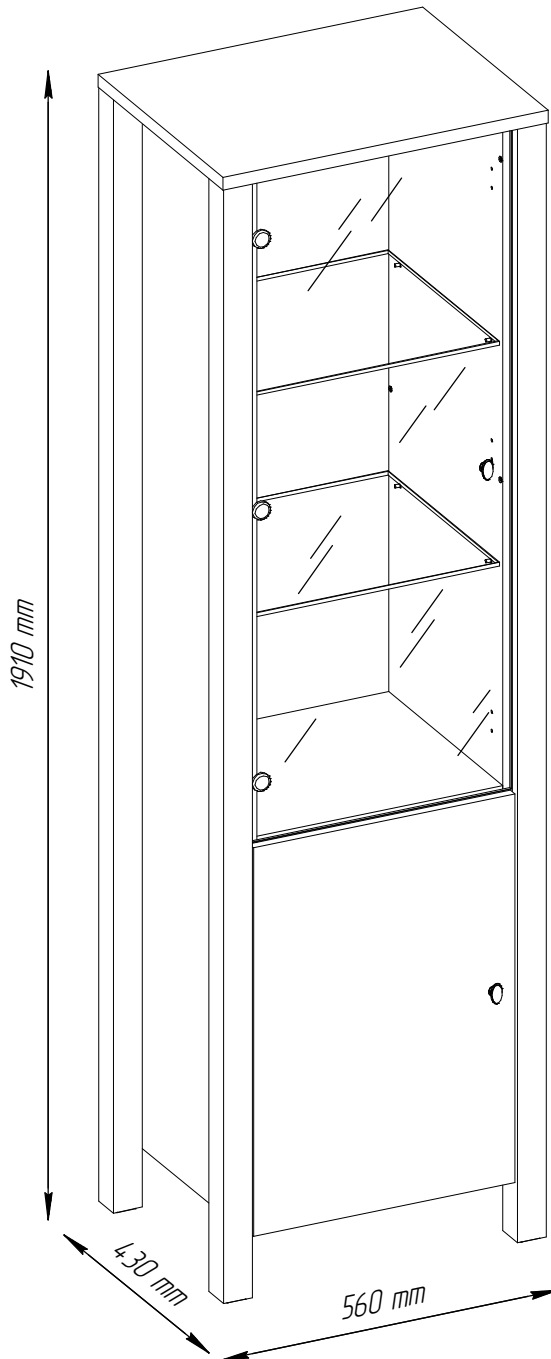
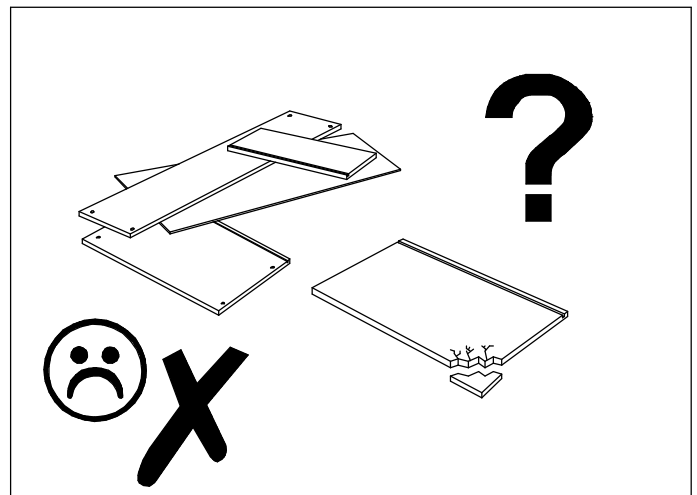
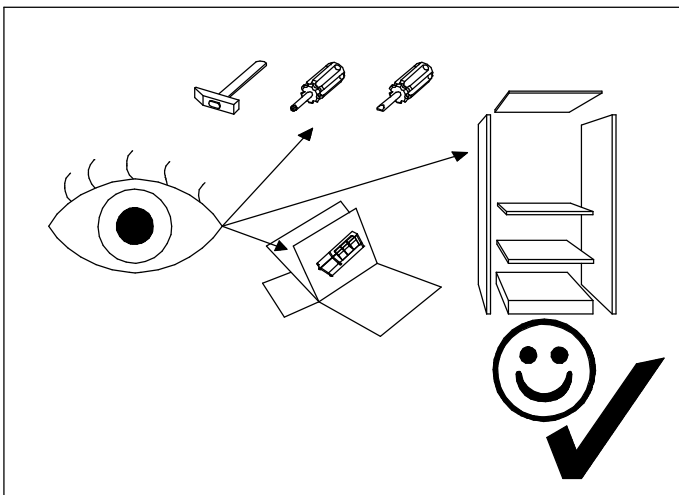
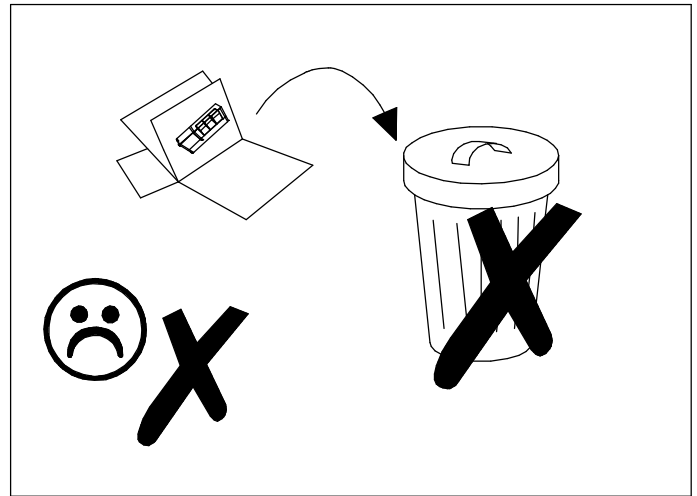
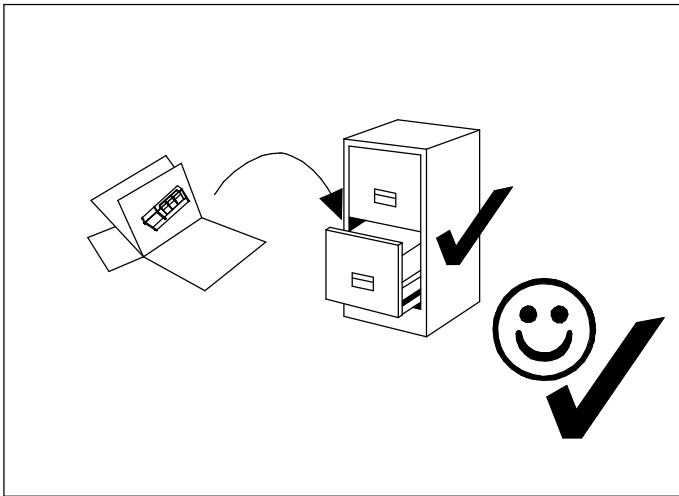
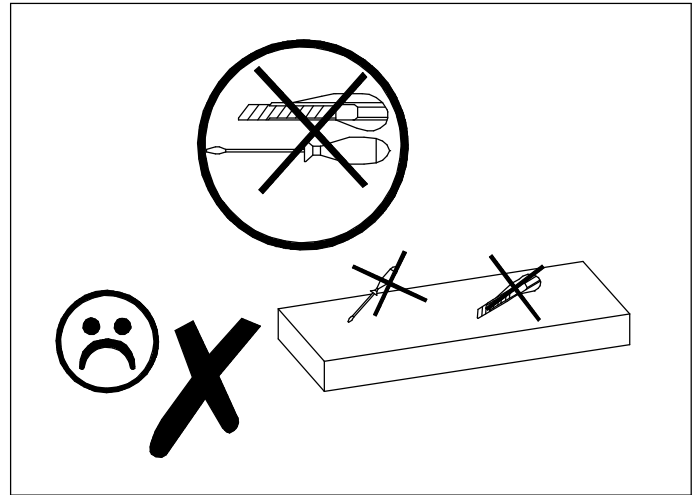
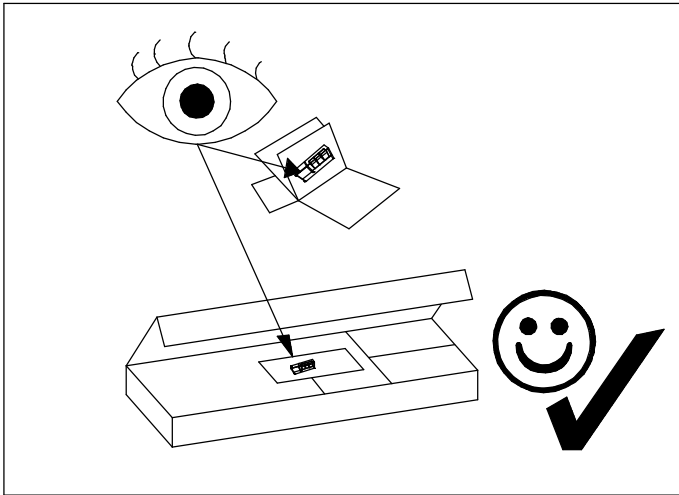


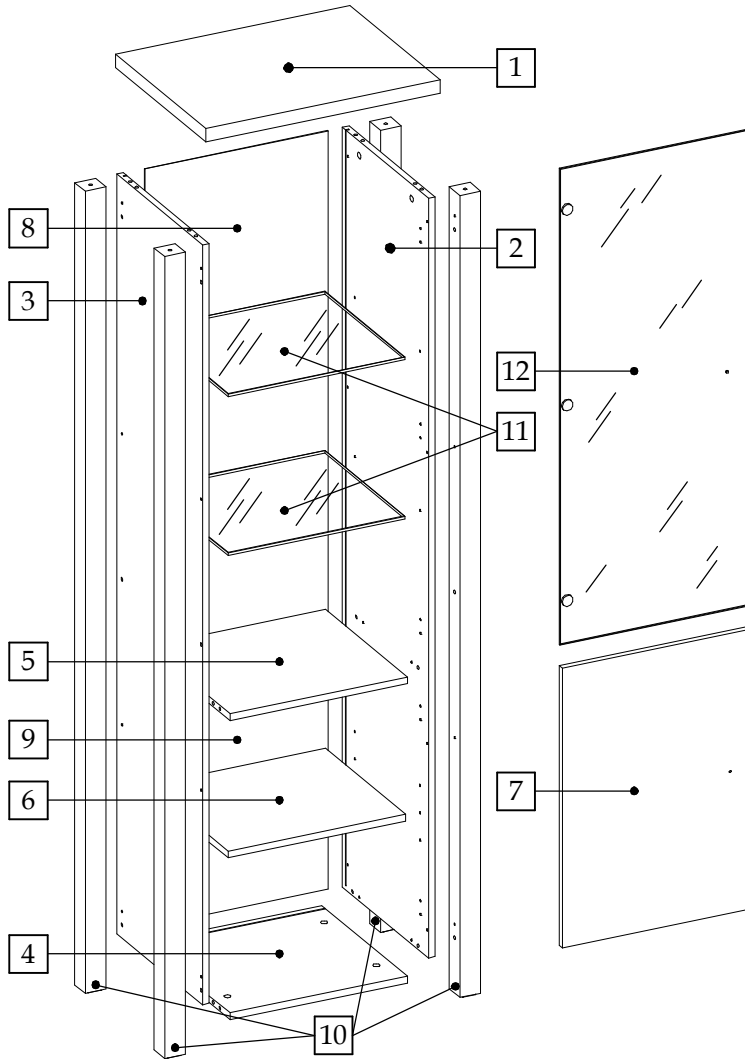
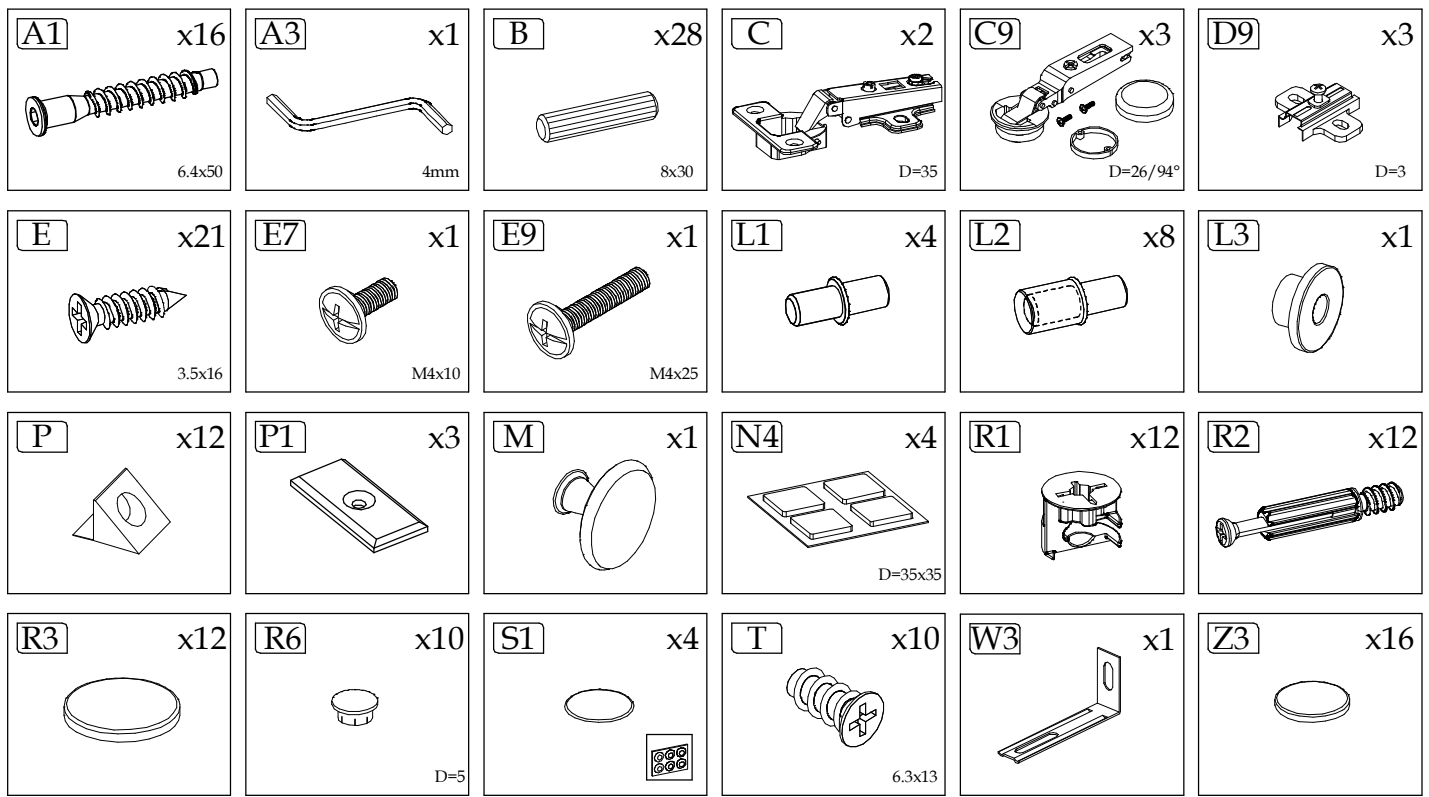
ARON A



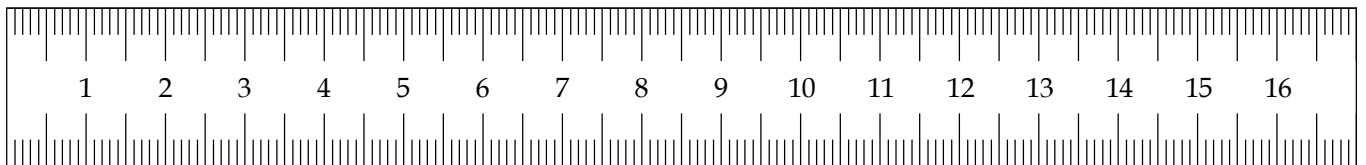
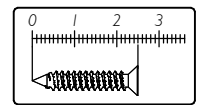
100 min

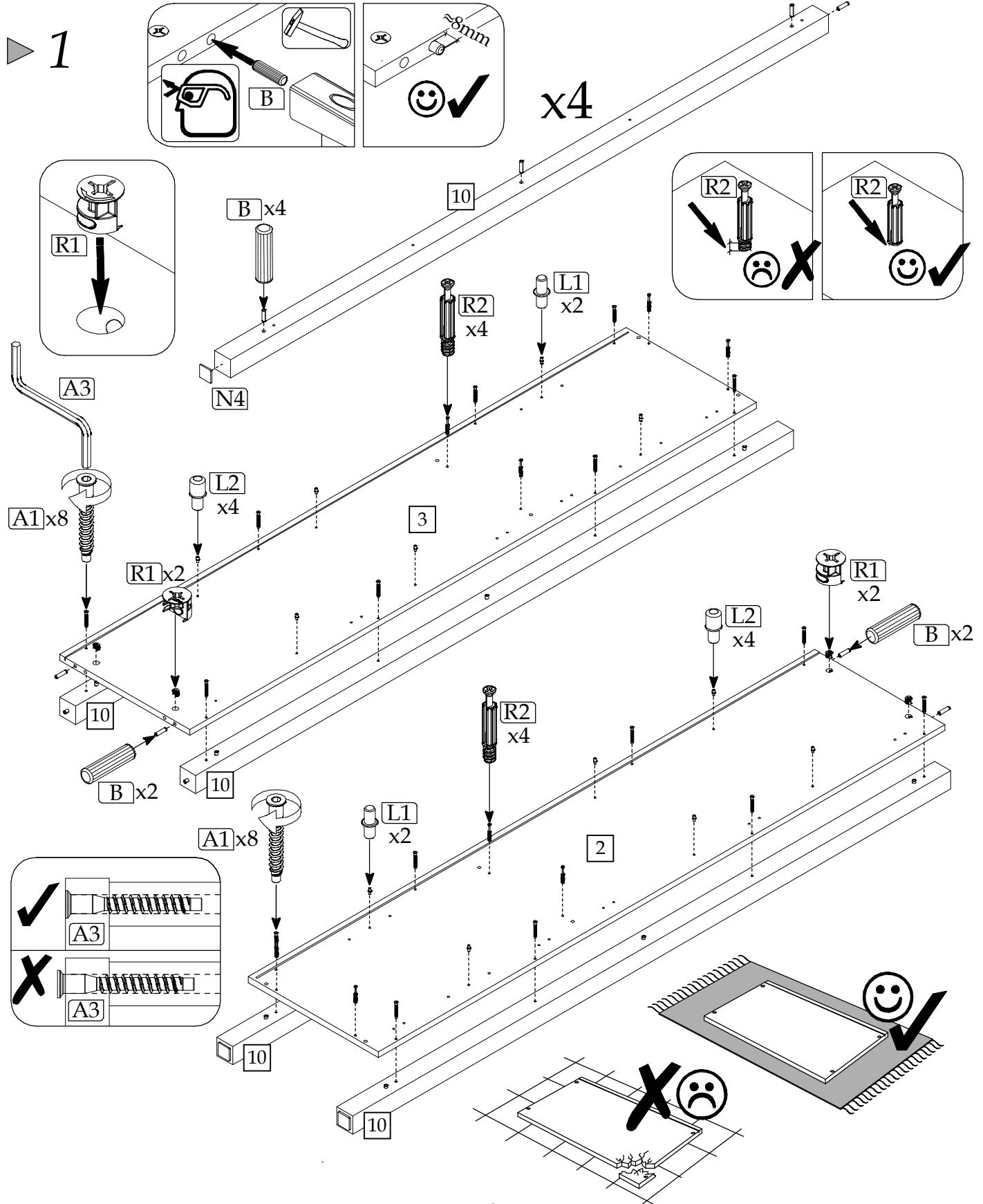
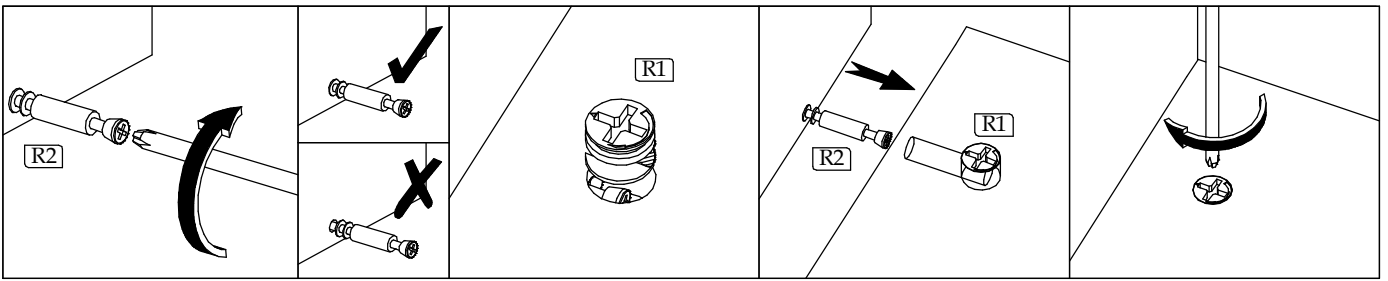




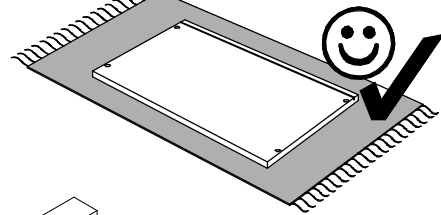
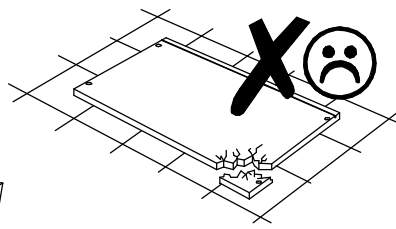
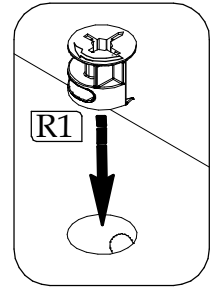
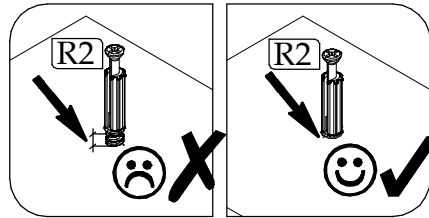
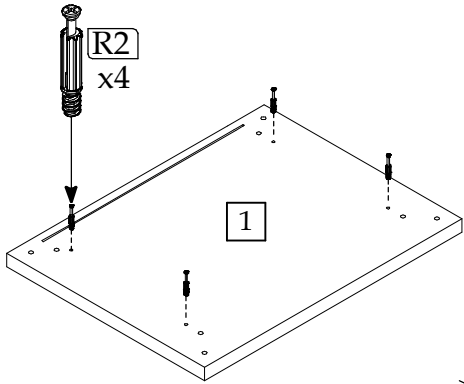
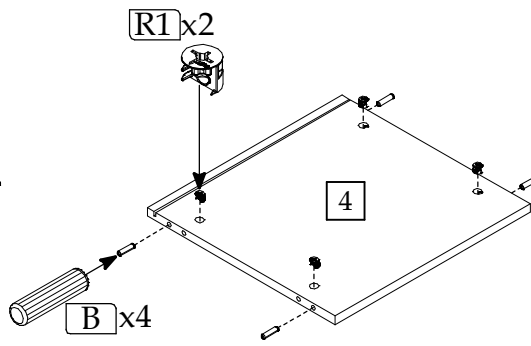
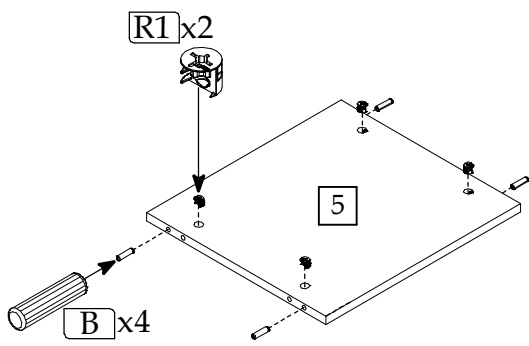


Element symbol	Measurements				Code	Pack
	1	2	3	4		
1	560	430	22	1	1002	1/4
2	1784	410	16	1	1005	1/4
3	1784	410	16	1	1006	1/4
4	424	409	16	1	1007	1/4
5	424	391	16	1	1001	1/4
6	424	382	16	1	N/A	1/4
7	450	657	16	1	1010	1/4
8	438	1129	3	1	N/A	1/4
9	651	438	3	1	N/A	1/4
10	1883	50	50	4	P50_1883x50	2/4
11	1118	450	4	1	Glass door	3/4
12	423	380	6	2	Glass shelf	4/4

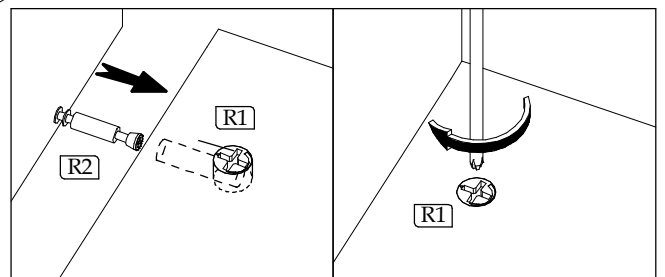
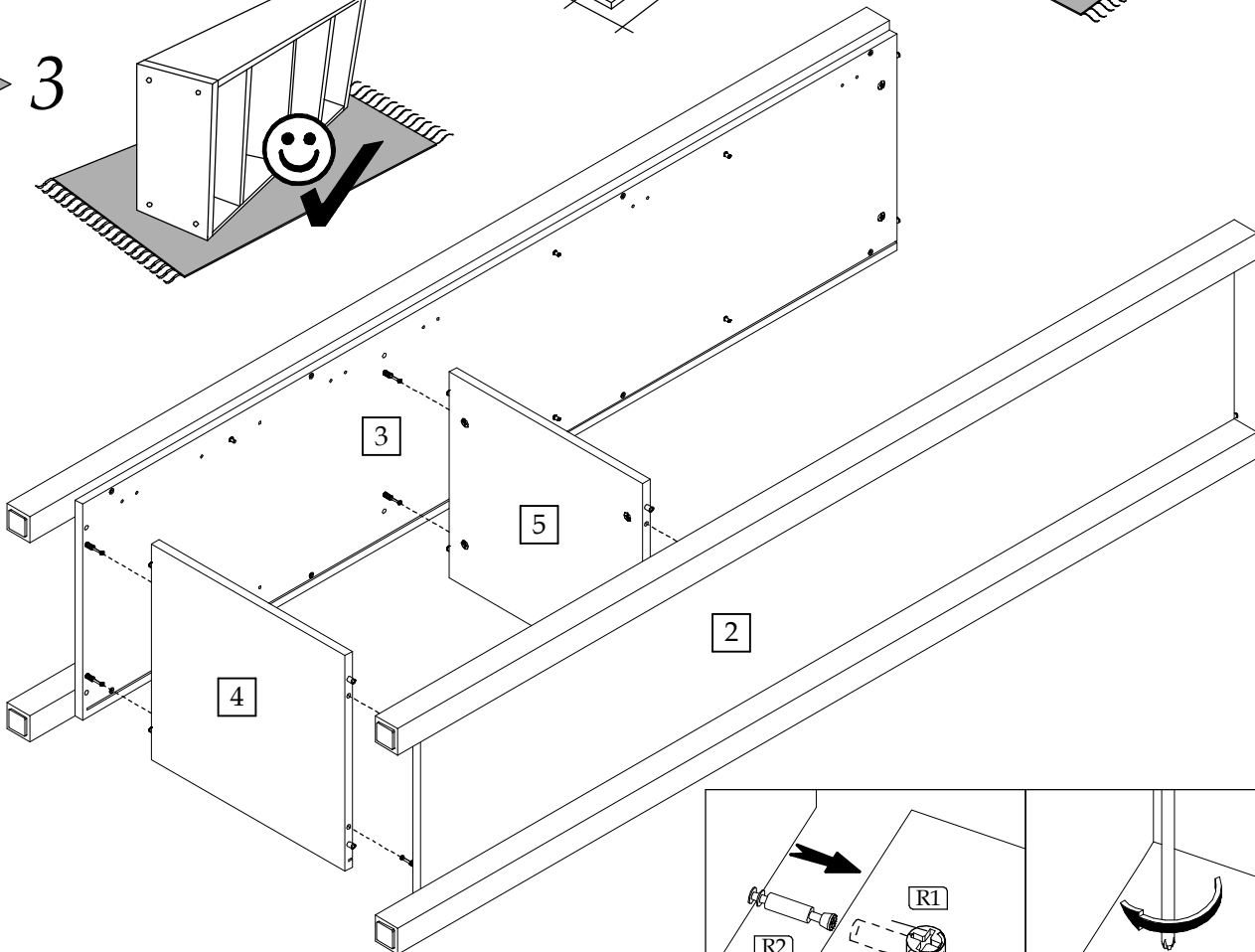
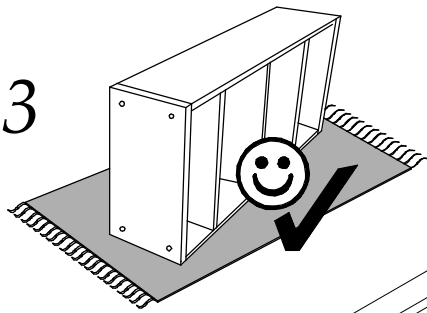




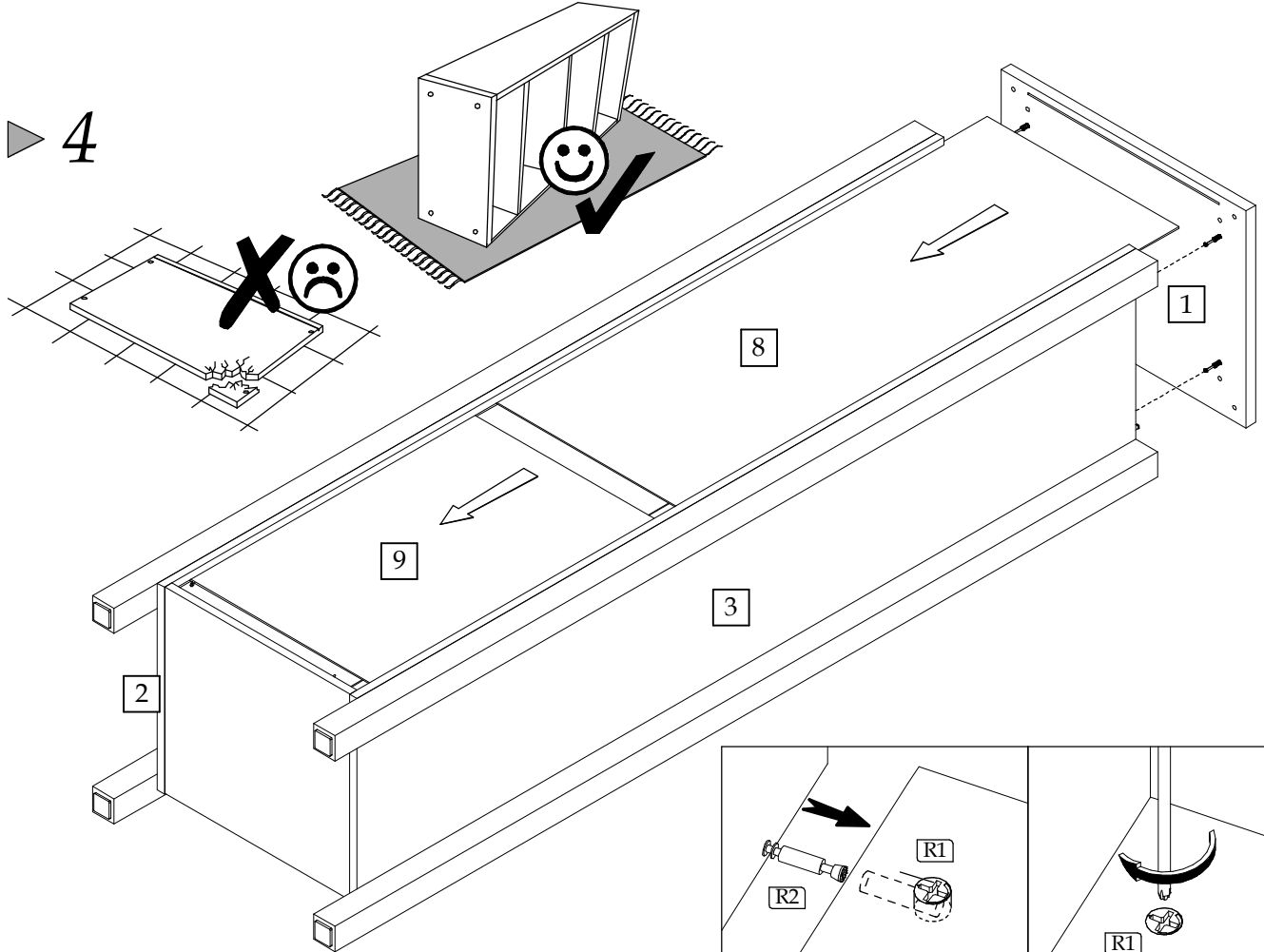
▶ 2



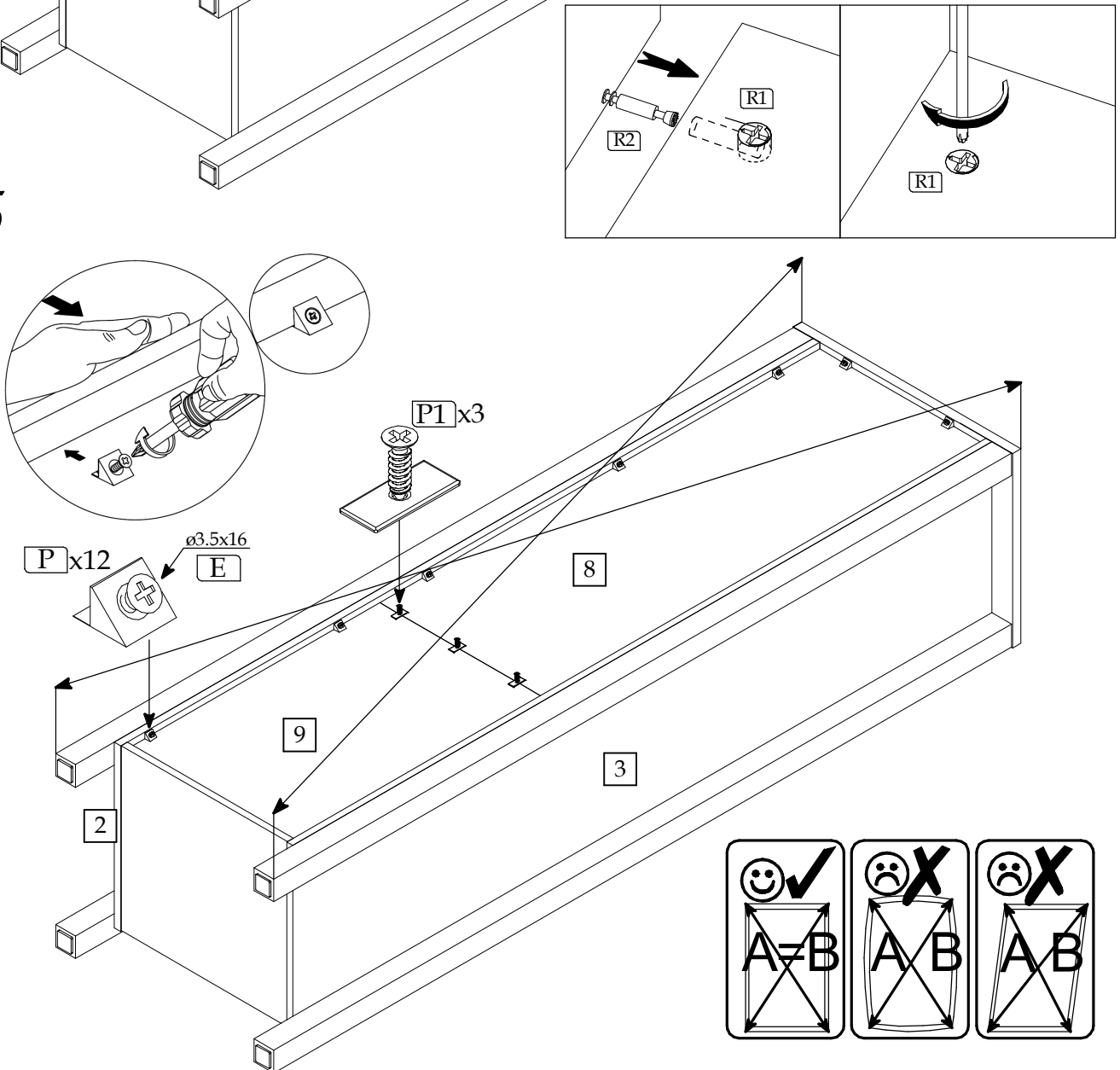
▶ 3



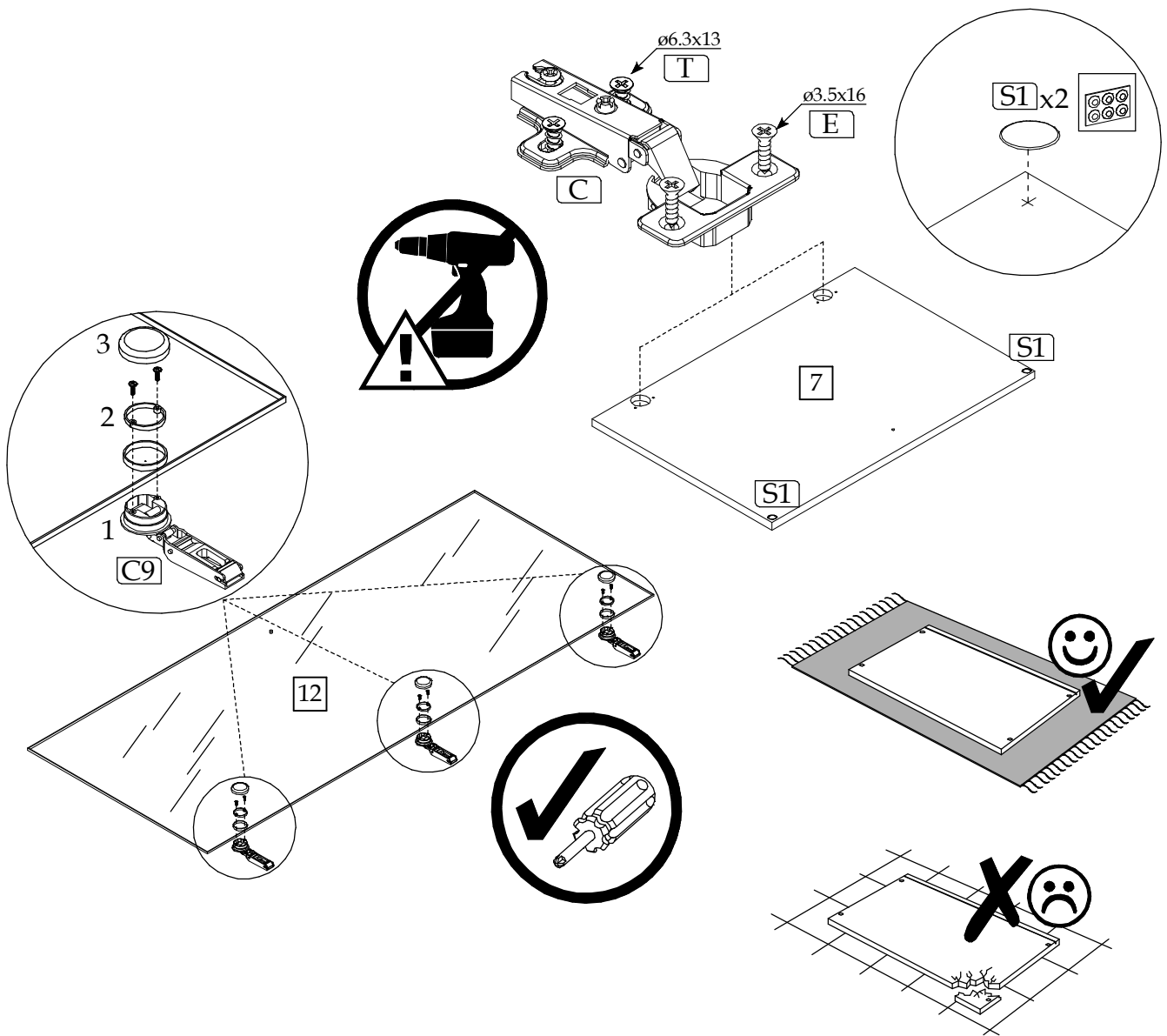
▶ 4



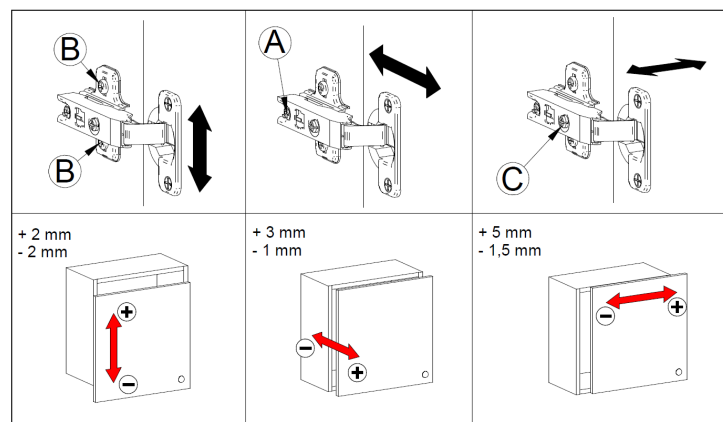
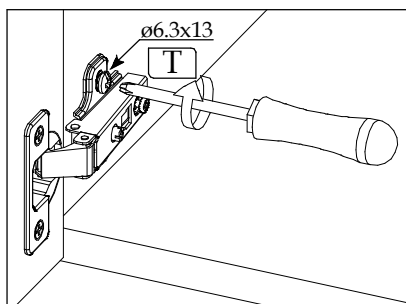
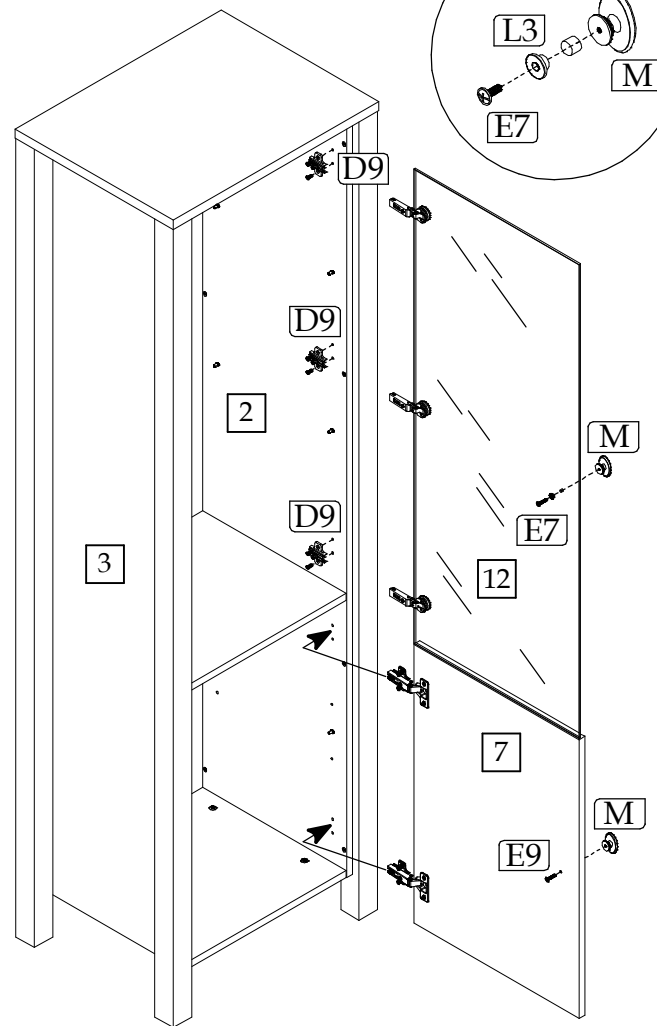
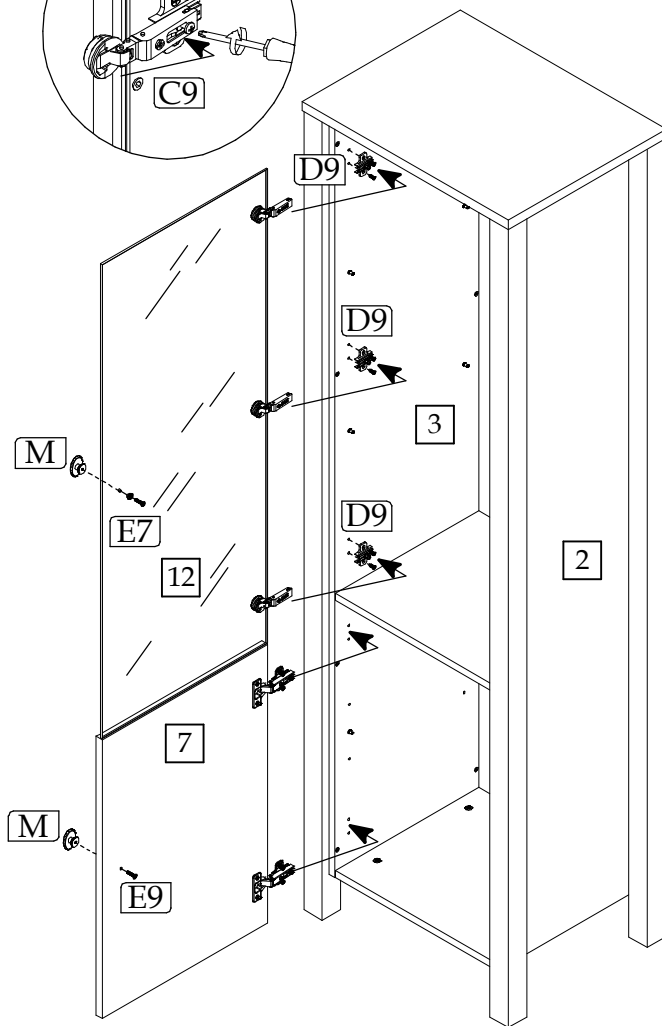
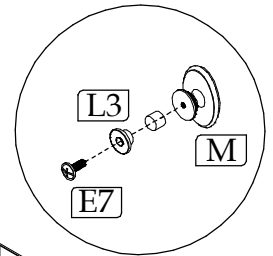
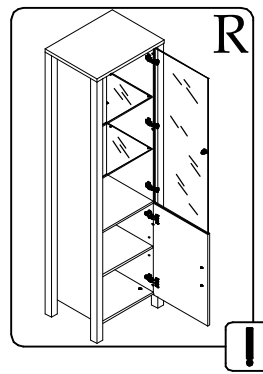
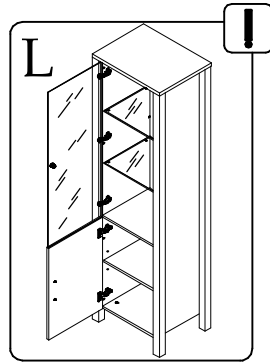
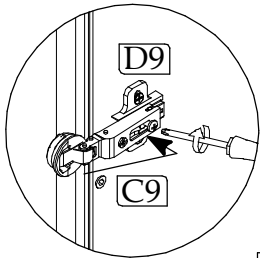
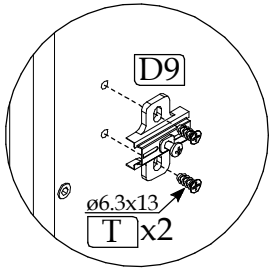
▶ 5



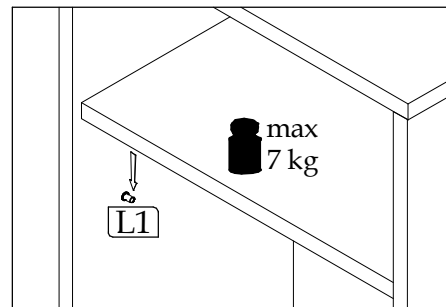
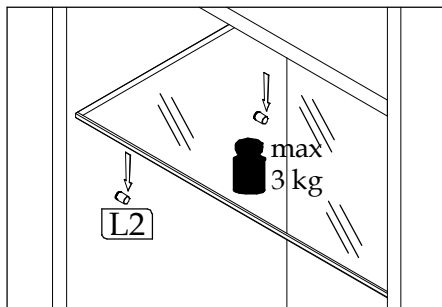
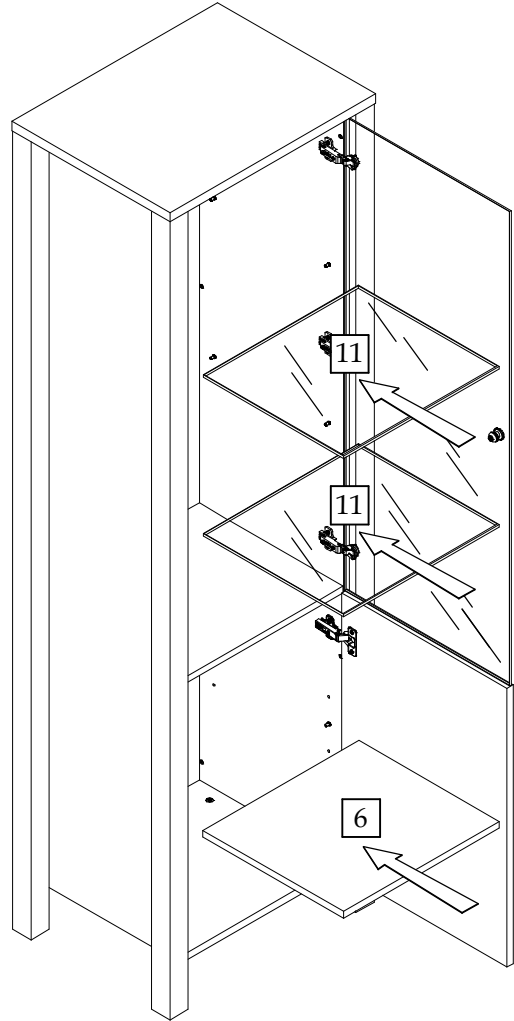
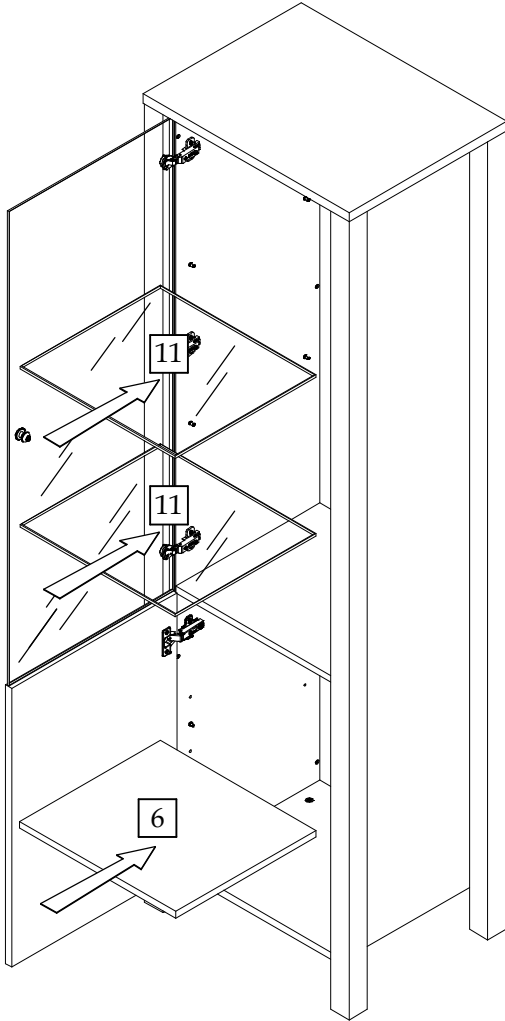
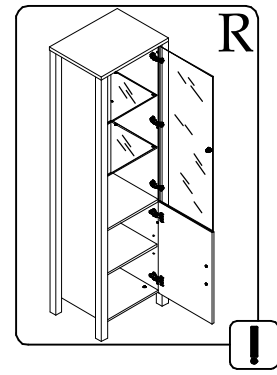
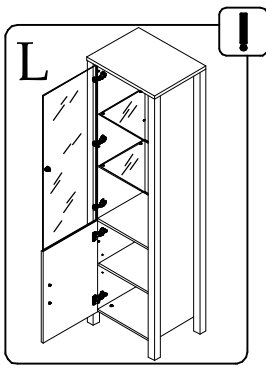
▶ 6



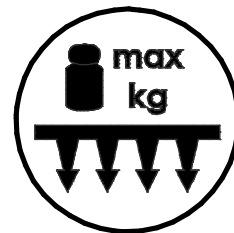
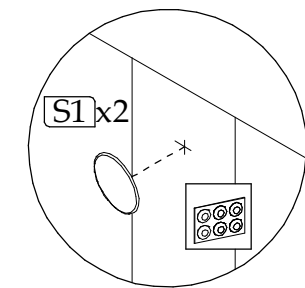
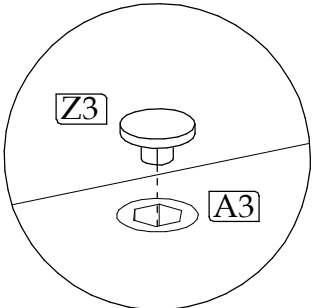
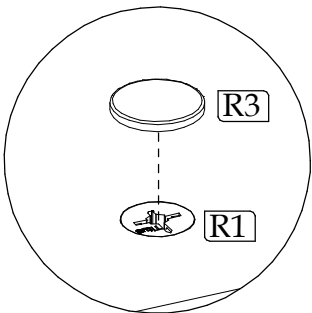
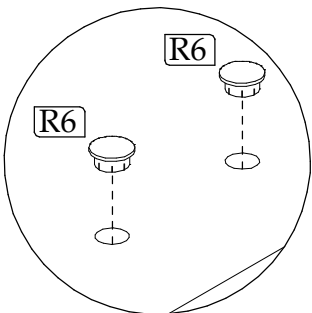
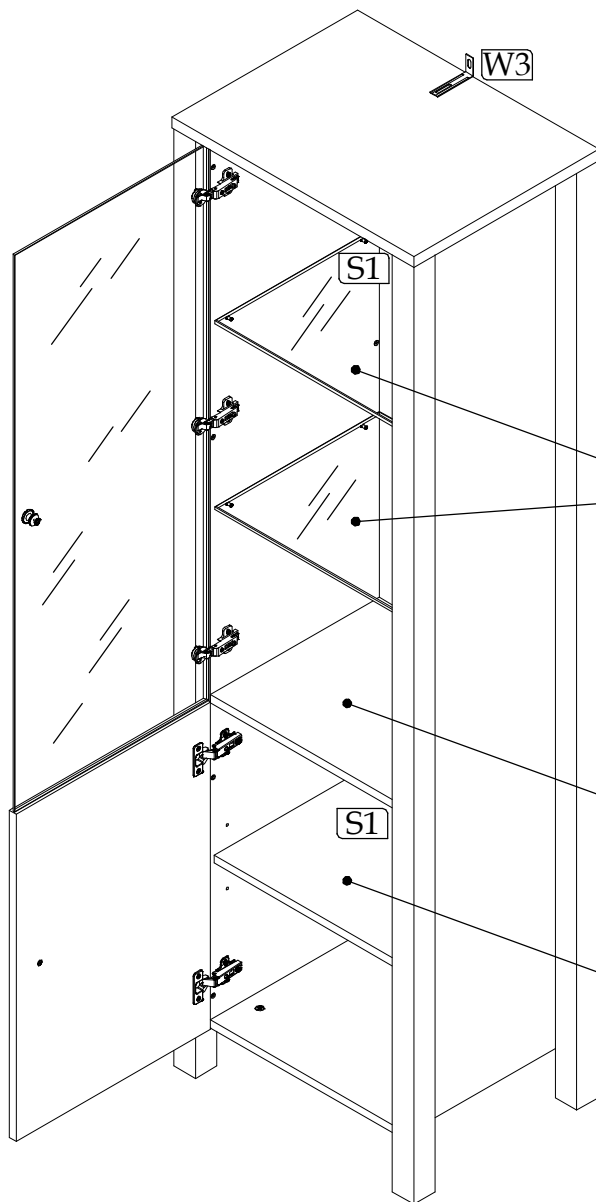
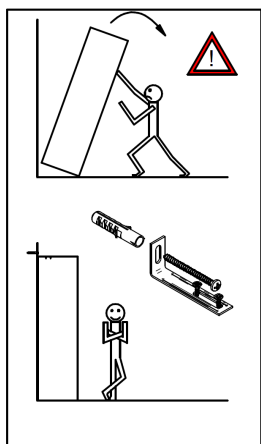
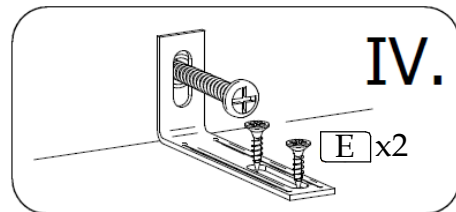
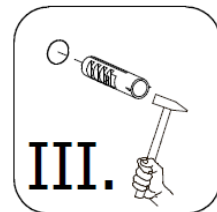
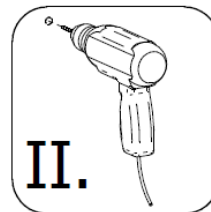
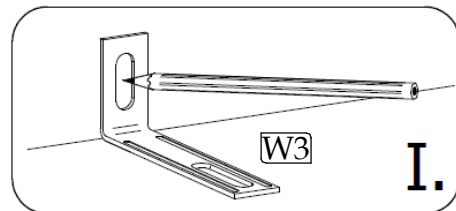
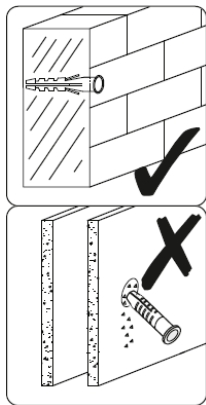
▶ 7



▶ 8



▶ 9



max 10 kg

max 7 kg

