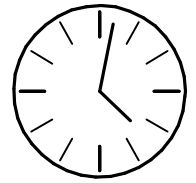
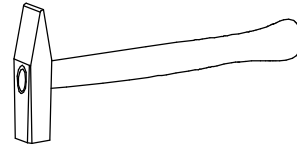
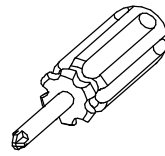
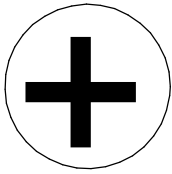
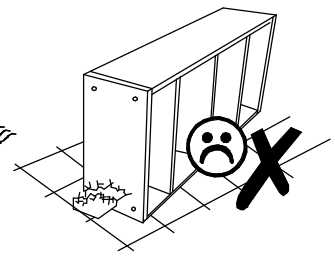
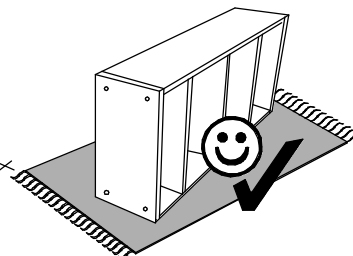
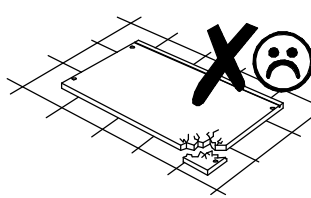
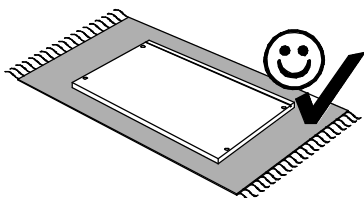
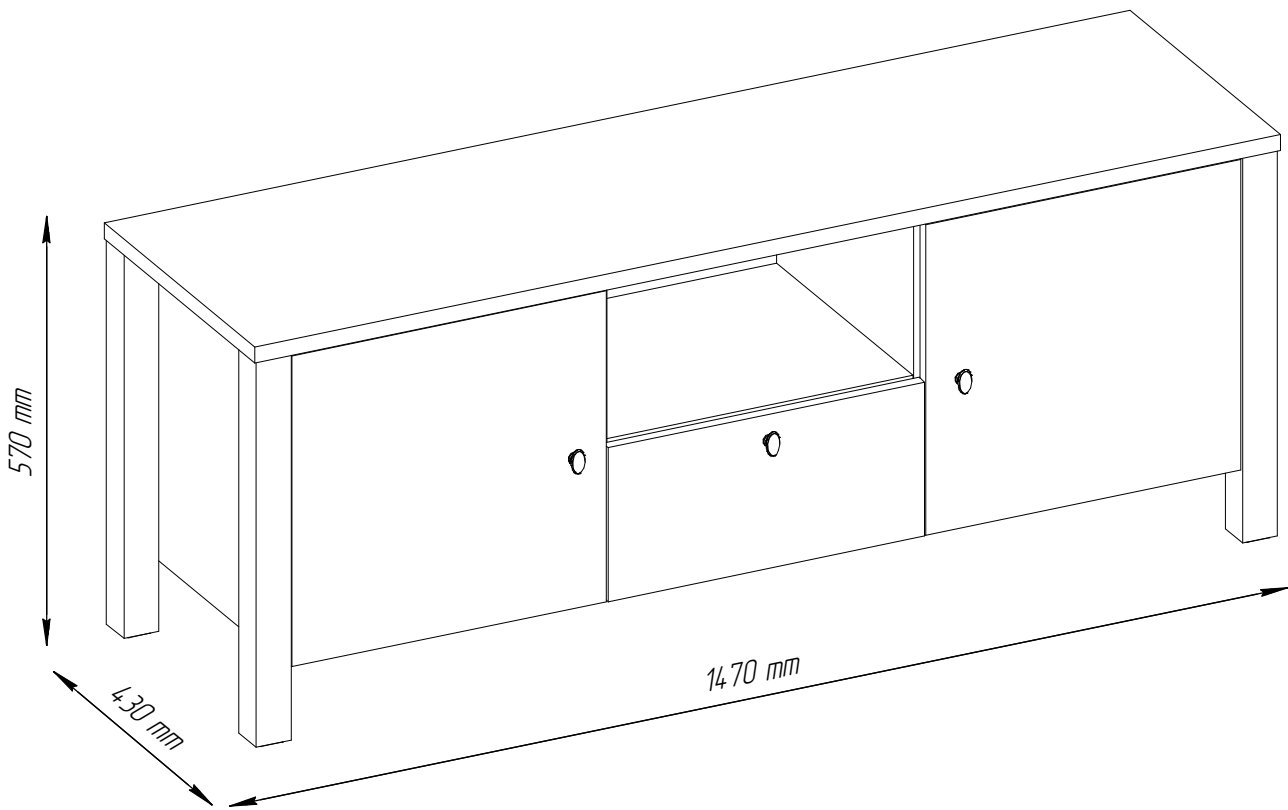
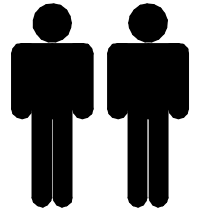
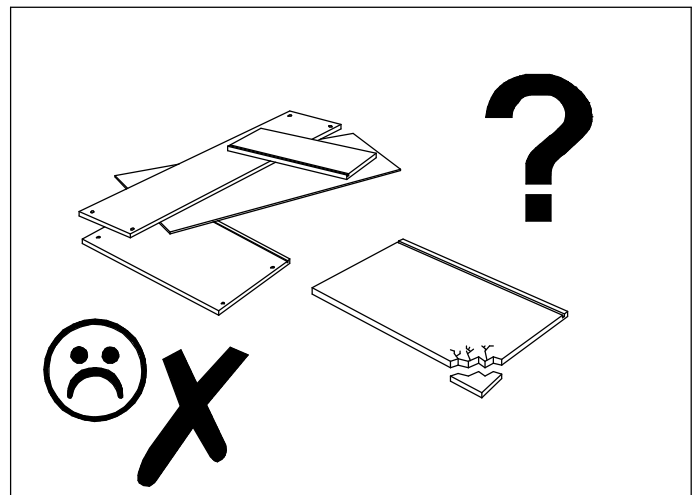
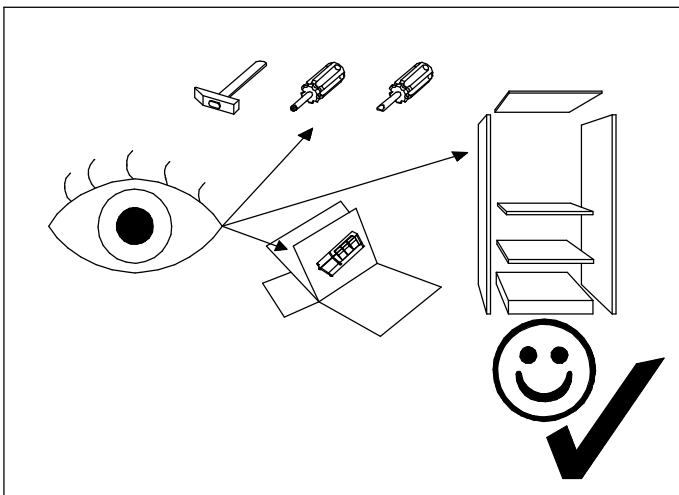
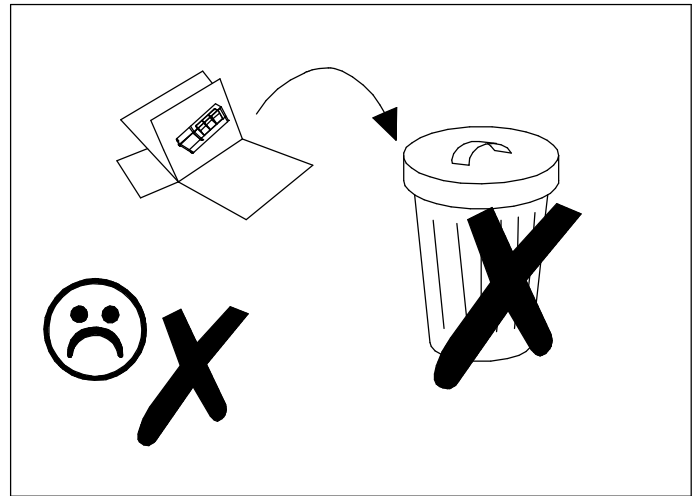
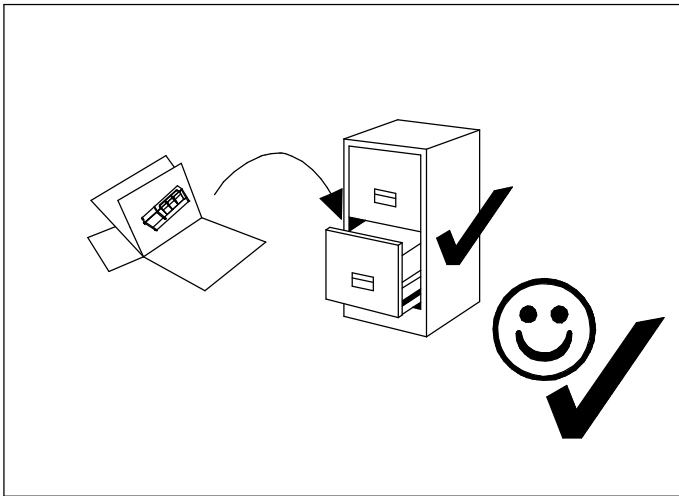
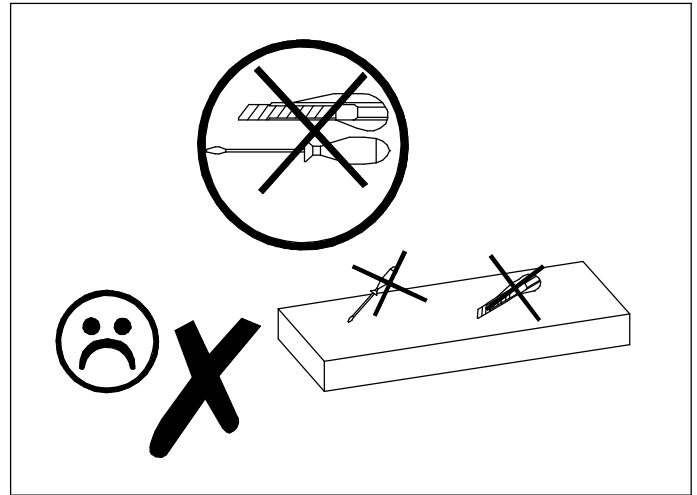
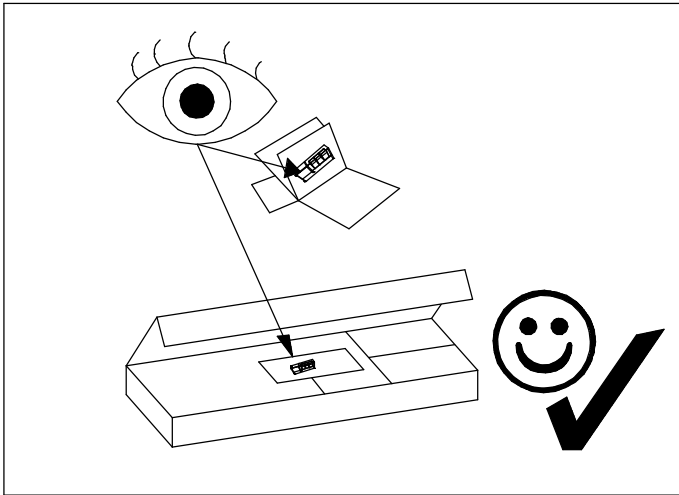


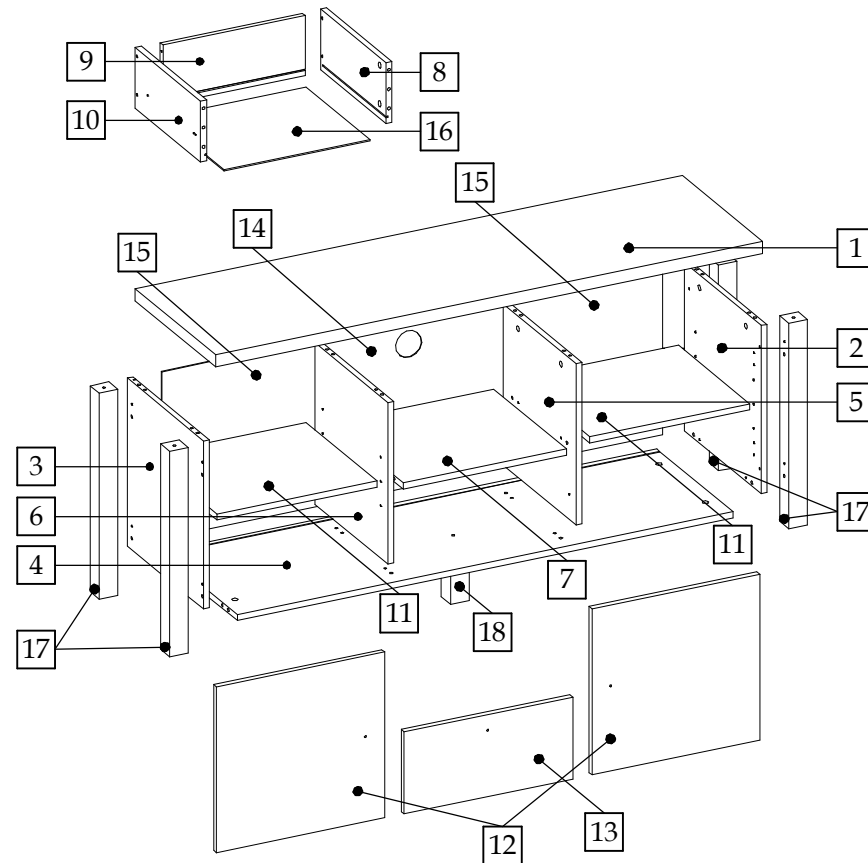
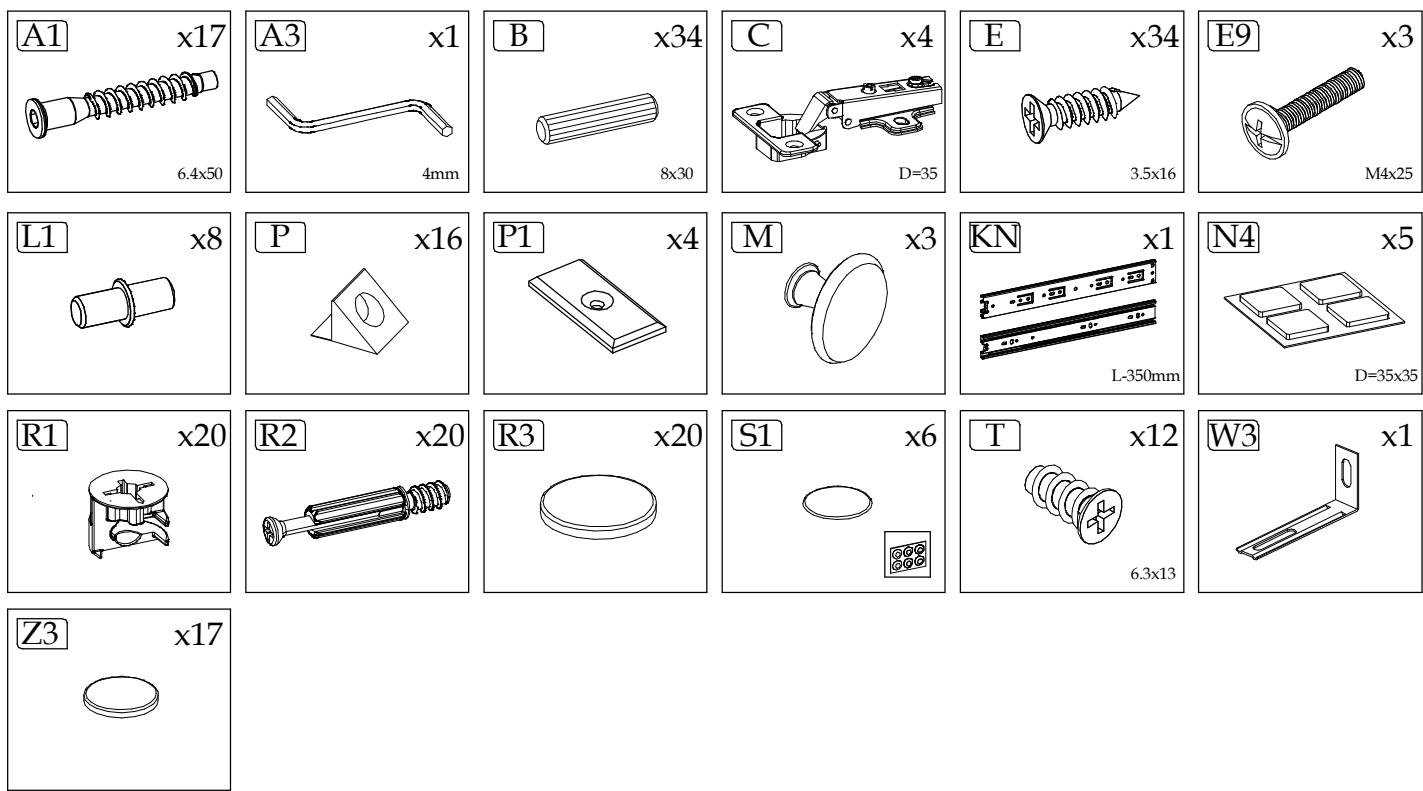
ARON B



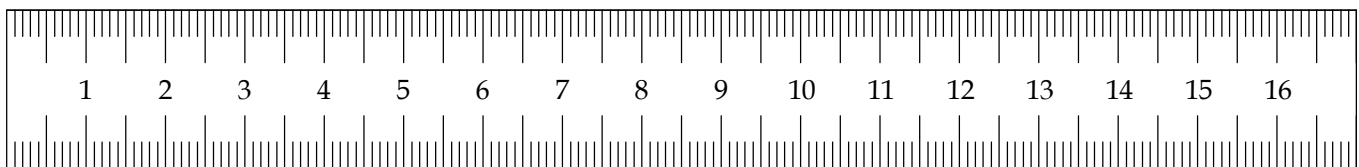
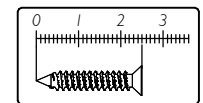
100 min

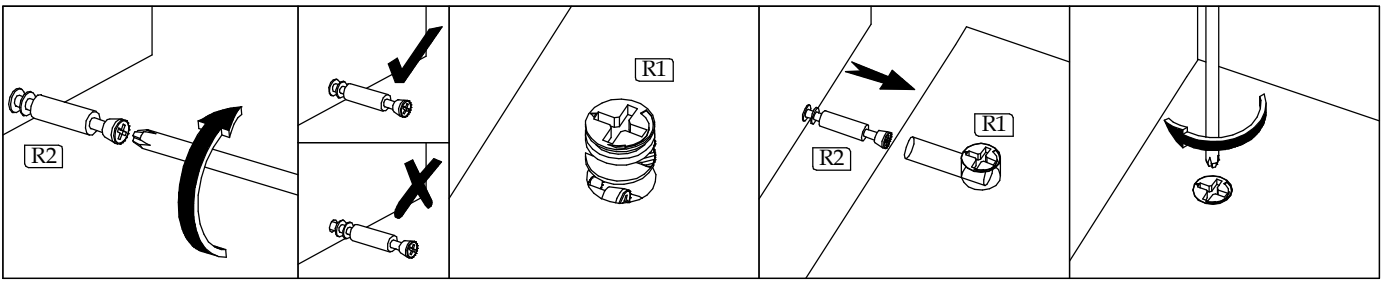




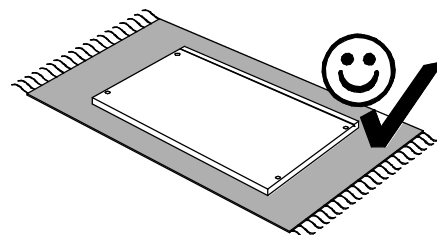
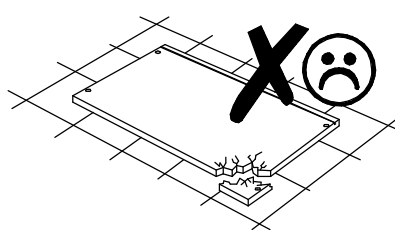
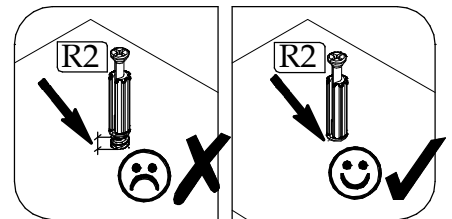
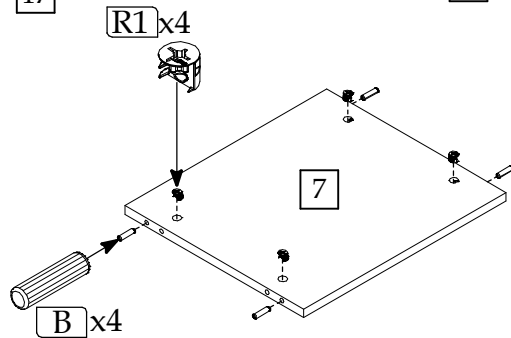
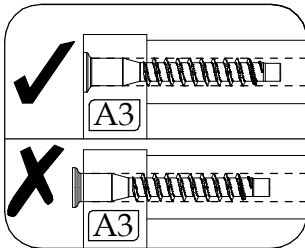
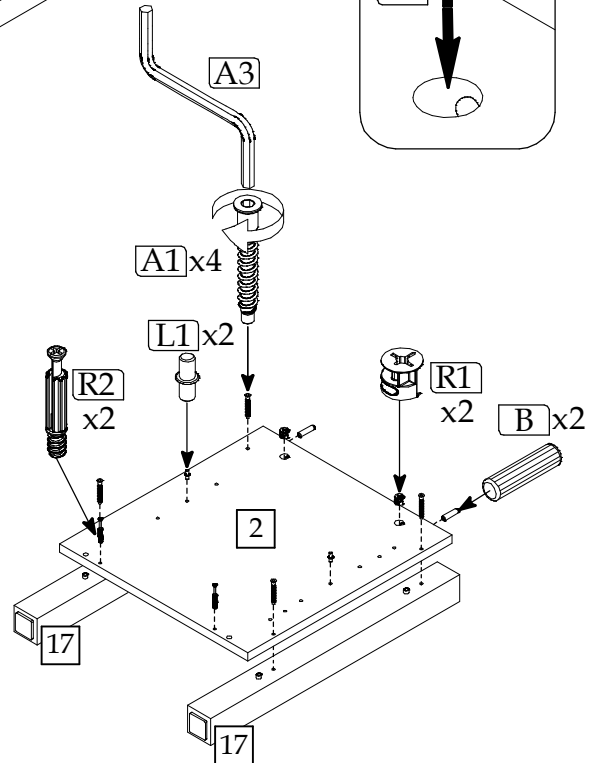
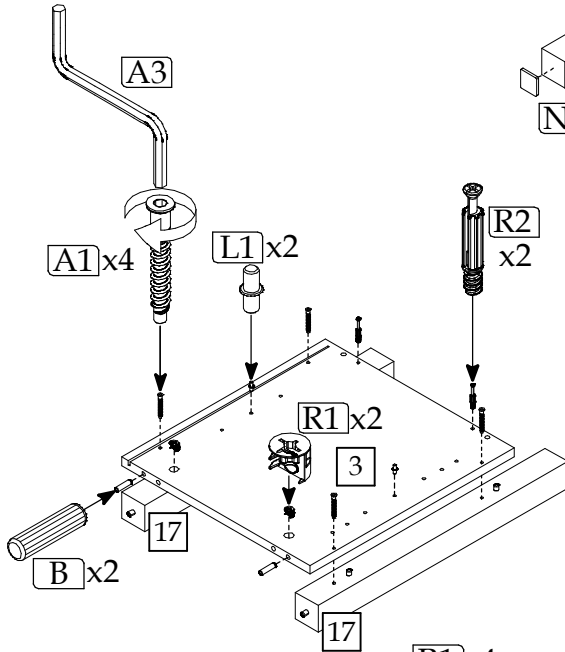
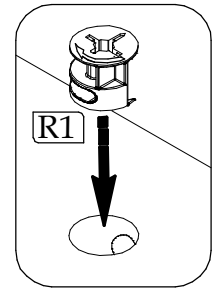
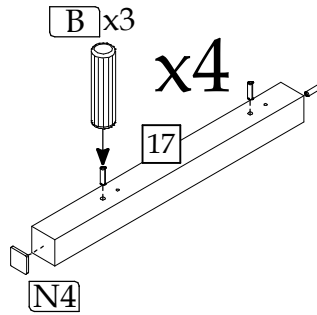
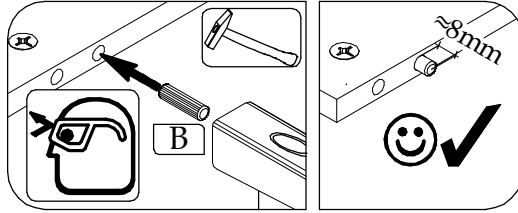


Element symbol	Measurements				Code	Pack
	1	2	3	4		
1	1470	430	22	1	1002	1/2
2	444	410	16	1	1005	1/2
3	444	410	16	1	1006	1/2
4	1334	409	16	1	1007	1/2
5	427	390	16	1	1031	1/2
6	427	390	16	1	1032	1/2
7	440	390	16	1	1033	1/2
8	350	160	16	1	1035	1/2
9	382	159	16	1	1036	1/2
10	350	160	16	1	1037	1/2
11	431	382	16	2	N/A	1/2
12	452	438	16	2	1012-1028	1/2
13	454	217	16	1	1034	1/2
14	441	456	3	1	1060_v	1/2
15	441	446	3	2	N/A	1/2
16	392	344	3	1	N/A	1/2
17	543	50	50	4	P50_543x50	1/2
18	100	50	50	1	P50_100x50	2/2

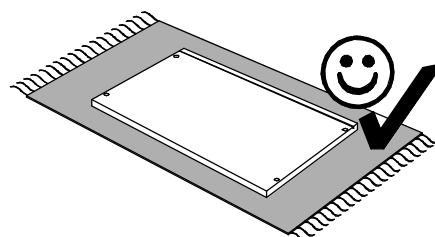
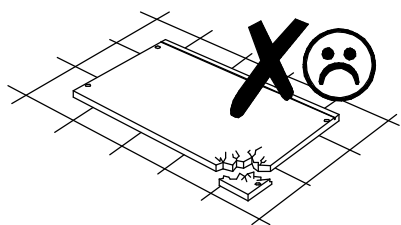
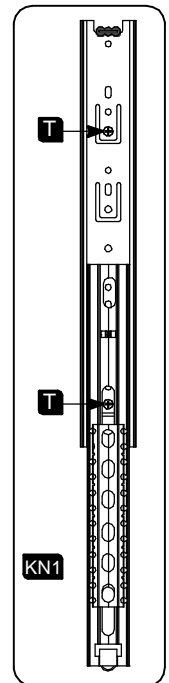
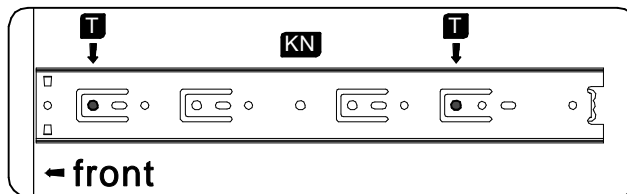
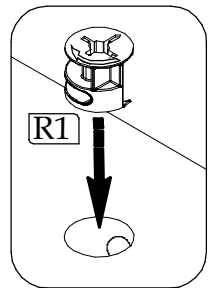
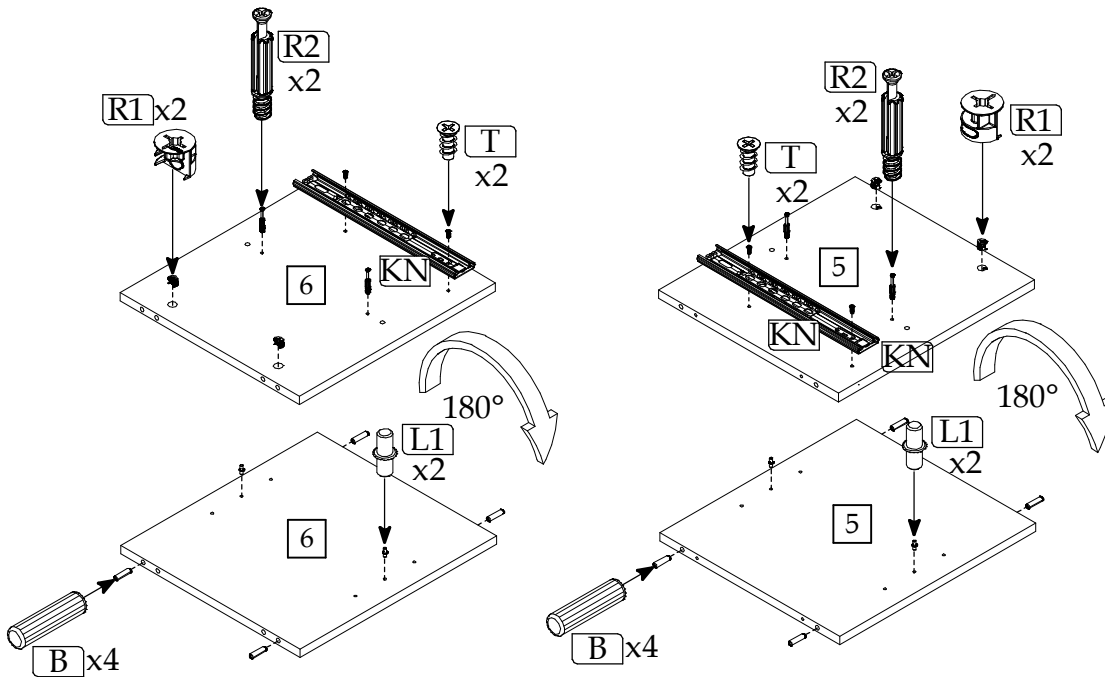
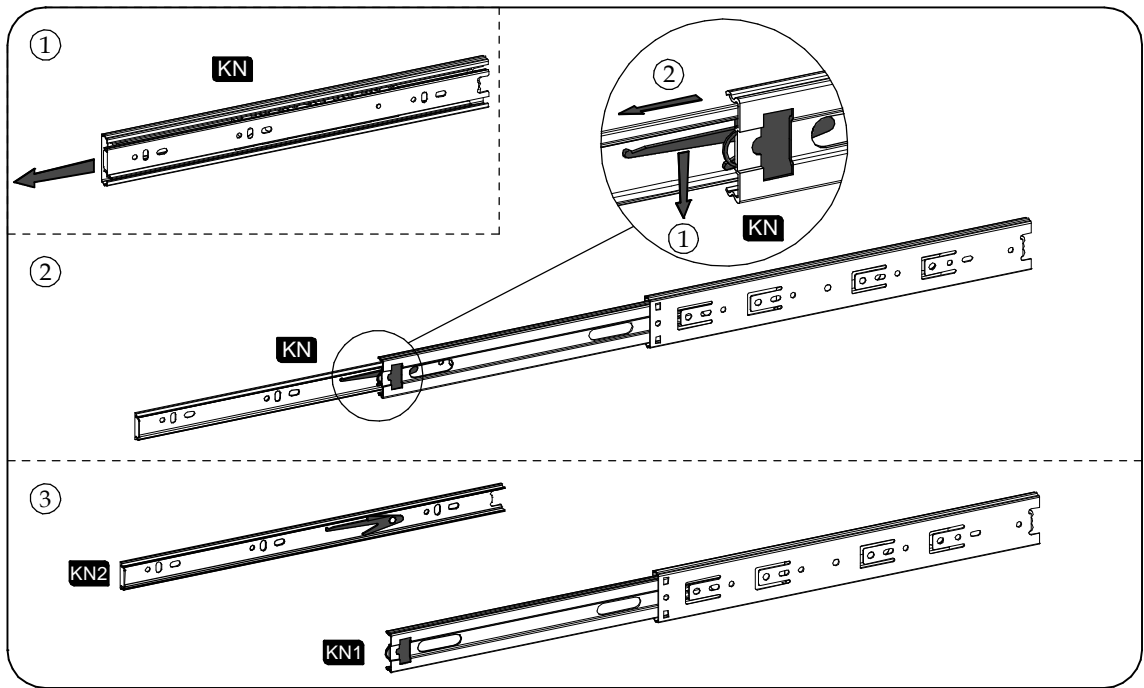




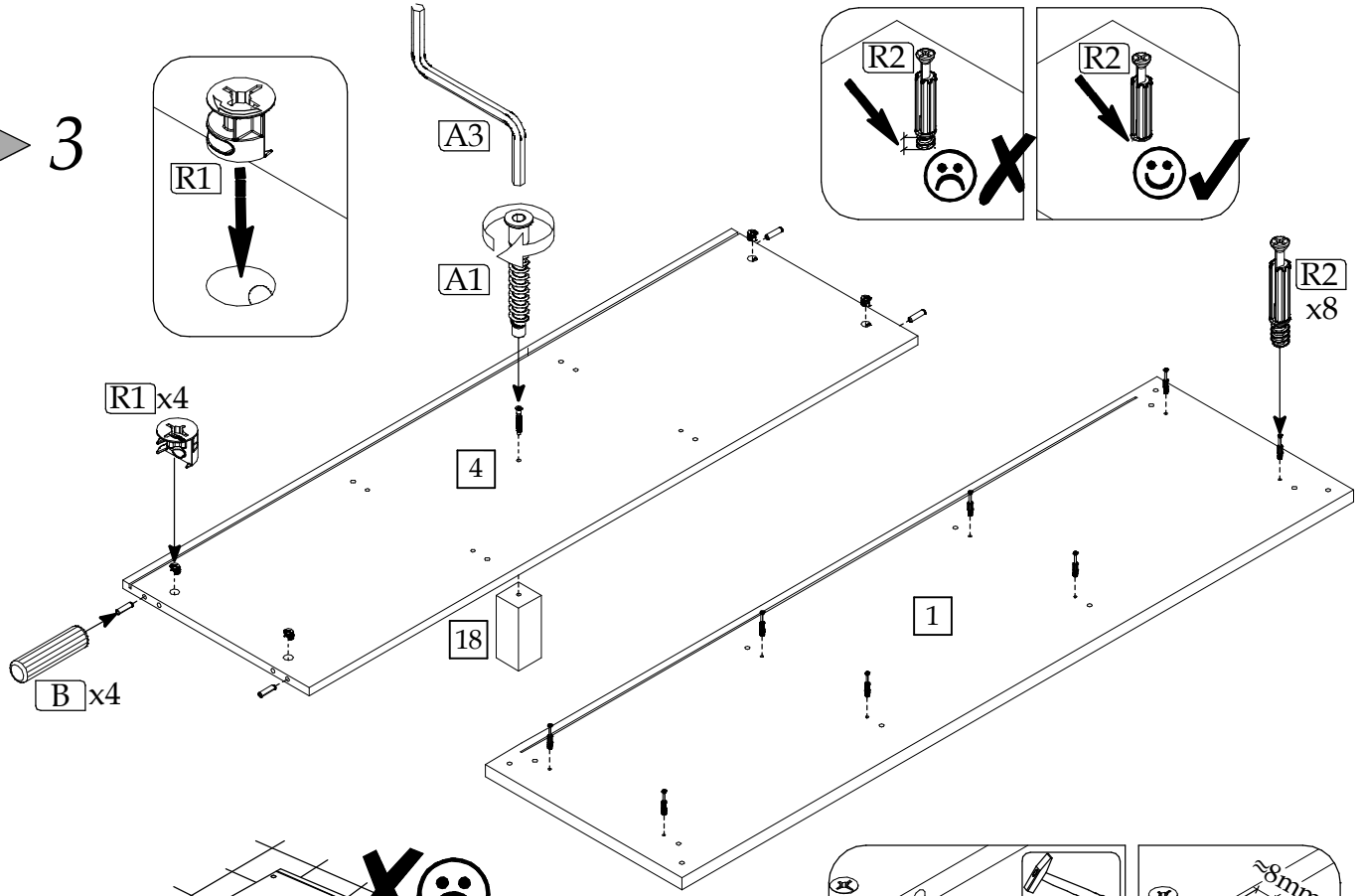
► 1



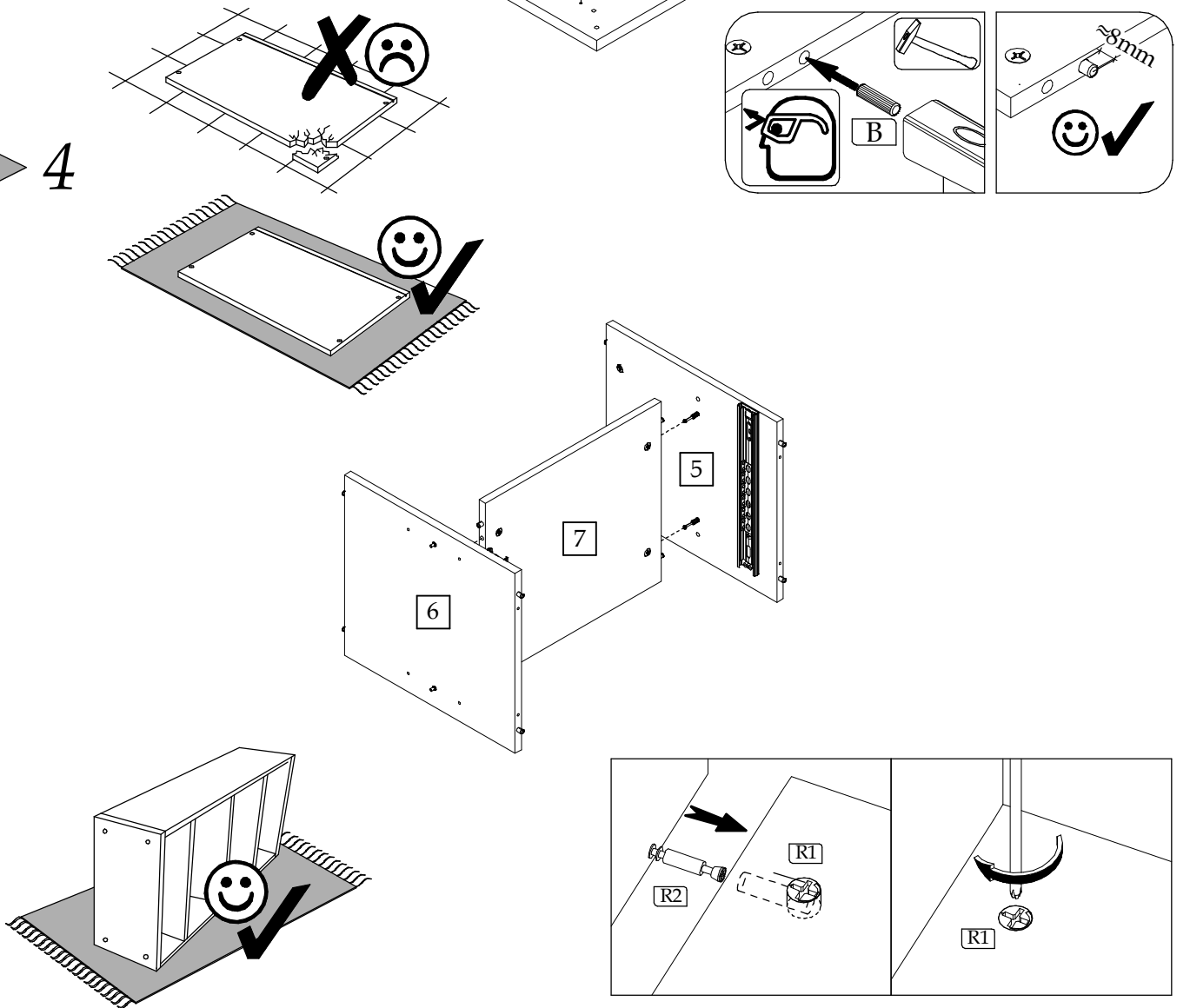
▶ 2



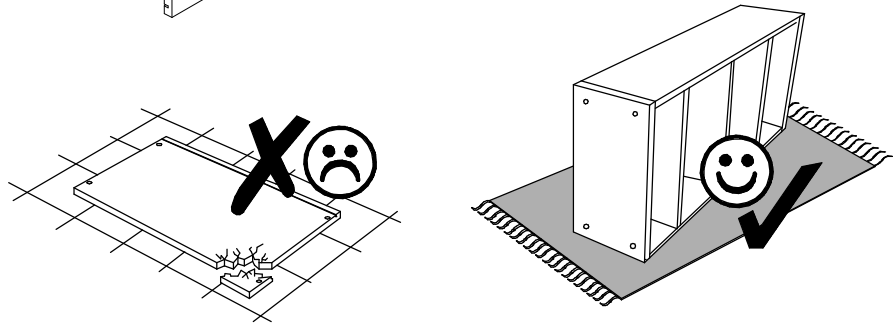
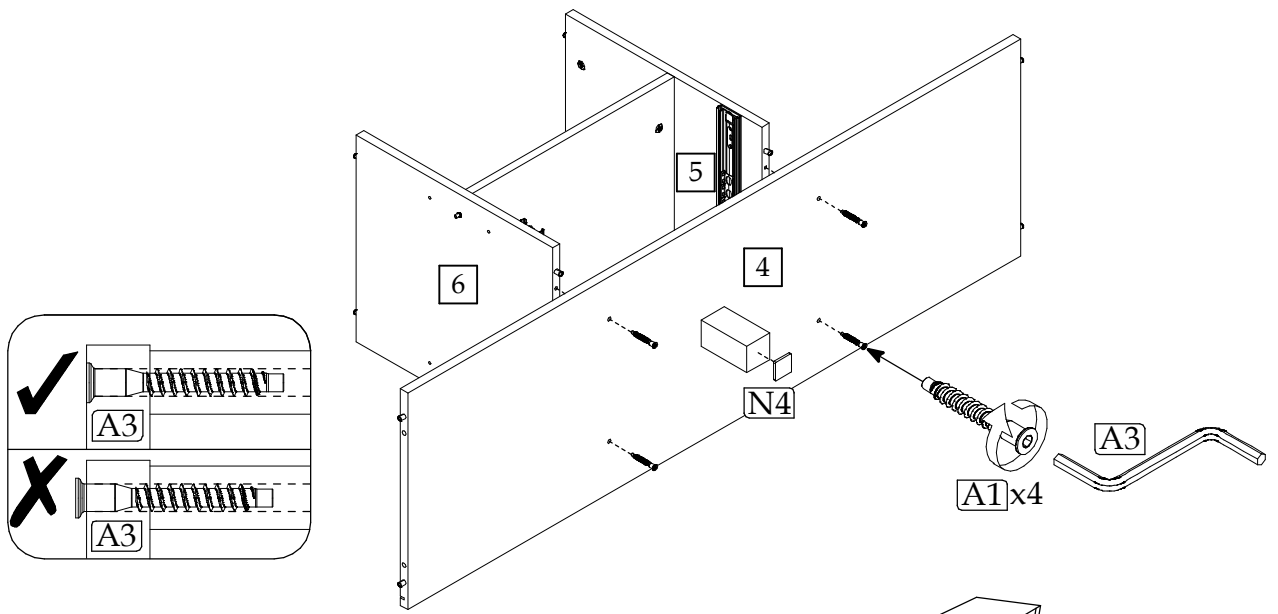
▶ 3



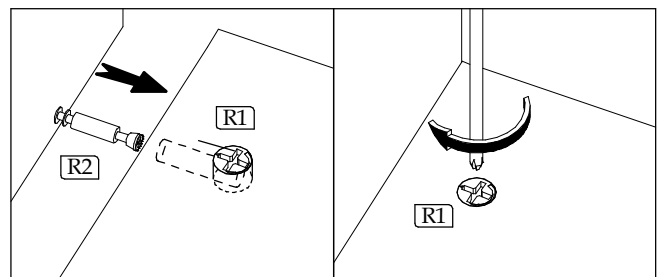
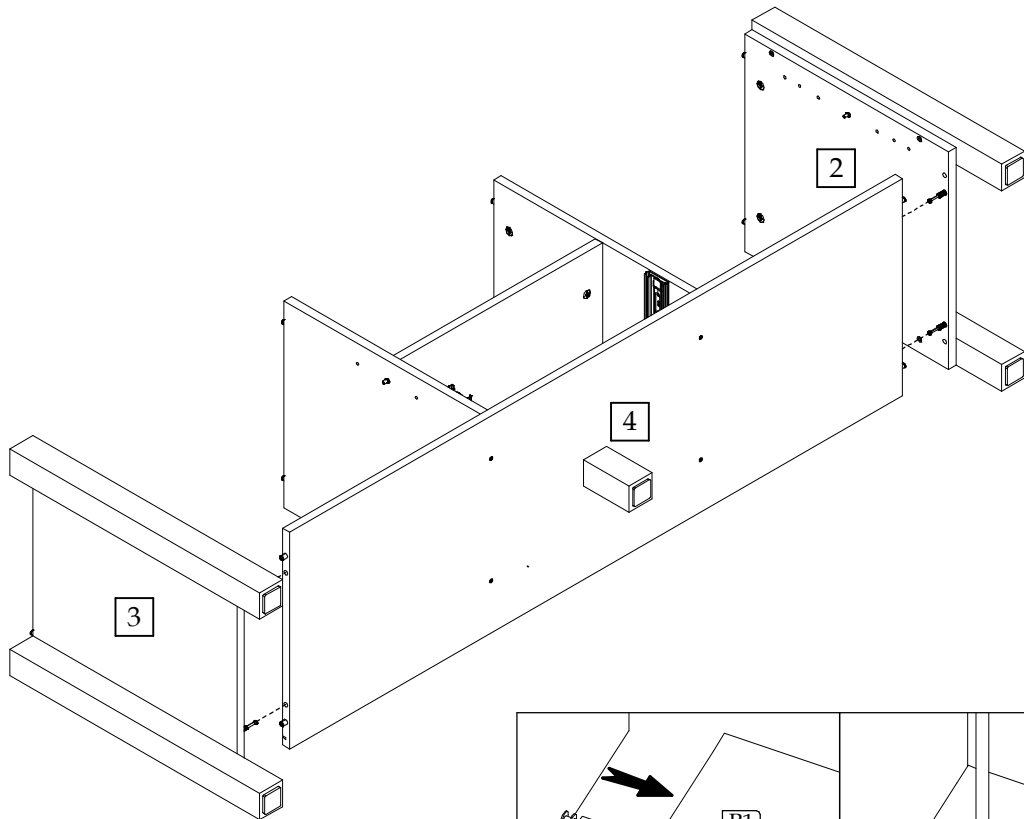
▶ 4



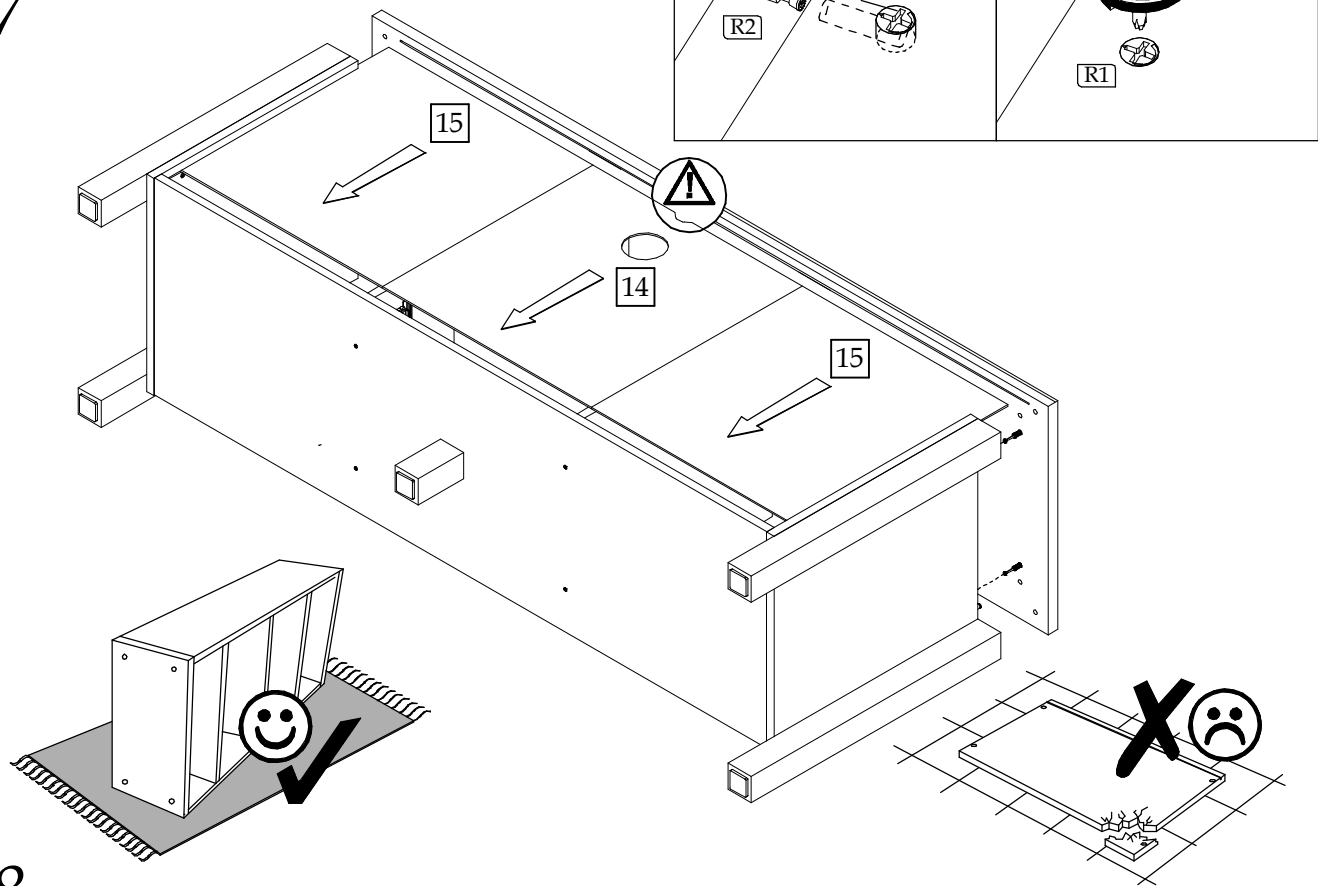
▶ 5



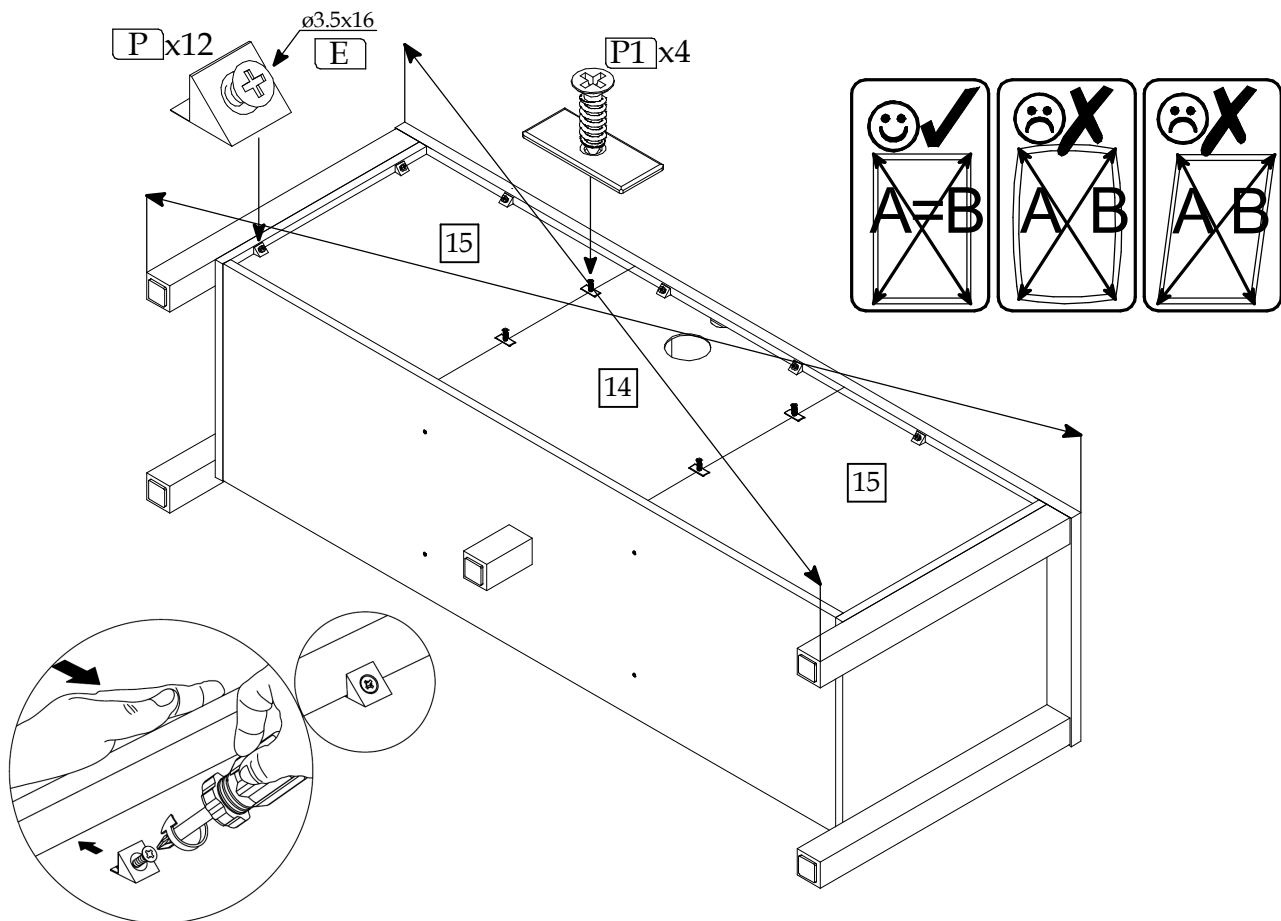
▶ 6



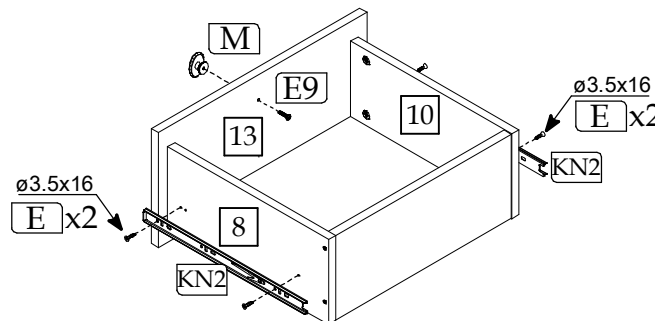
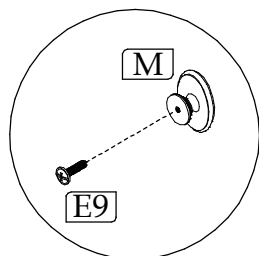
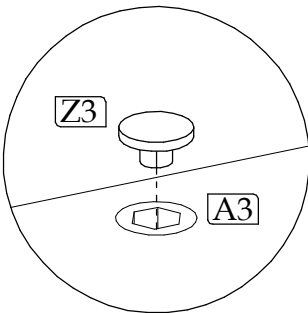
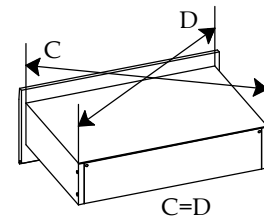
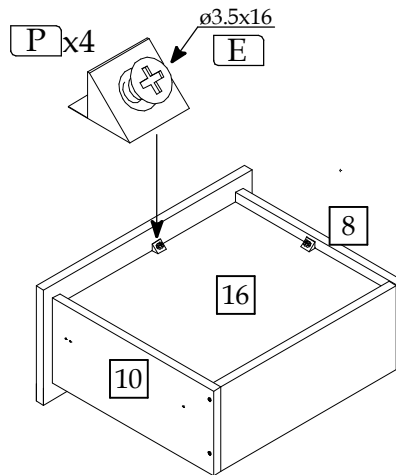
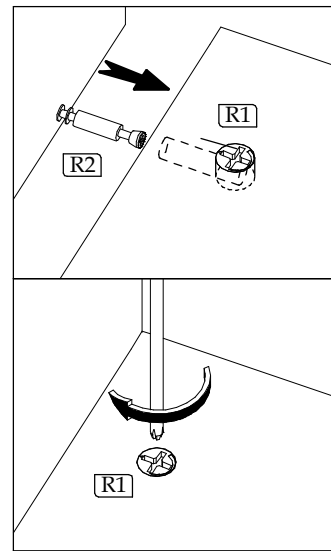
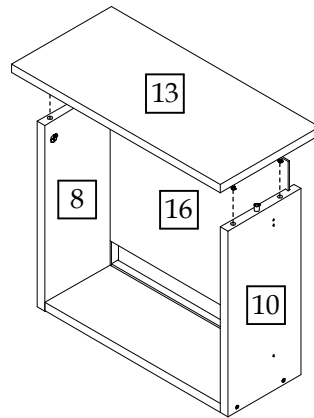
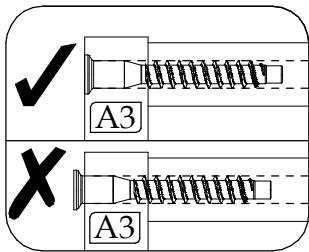
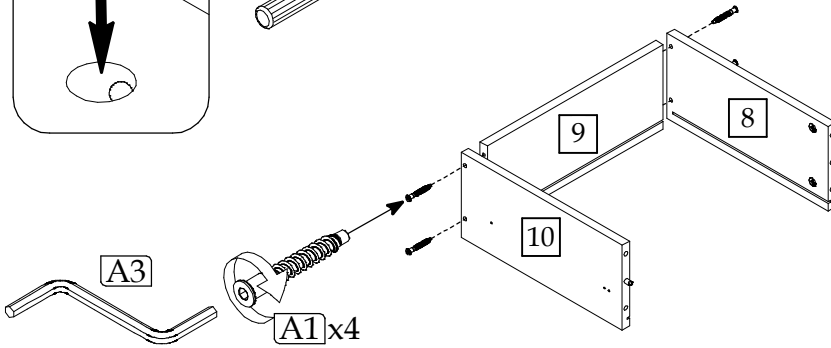
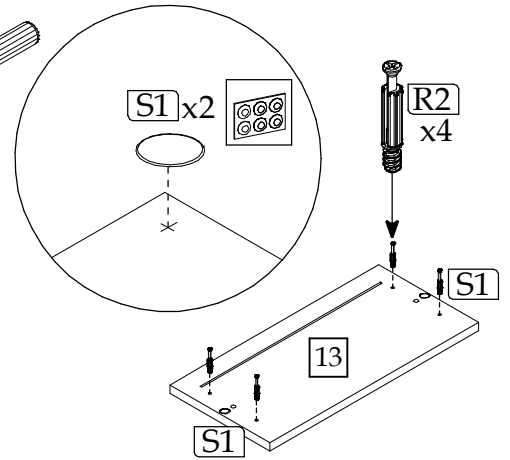
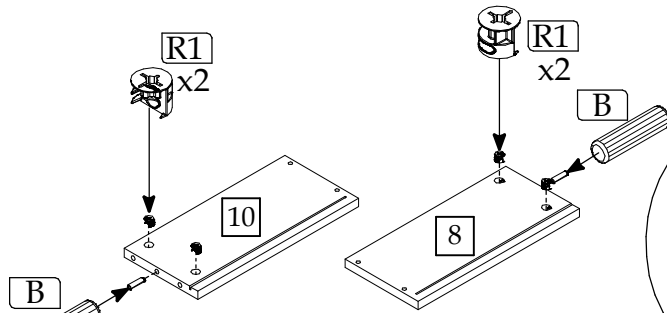
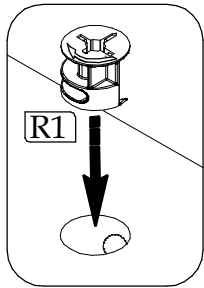
▶ 7



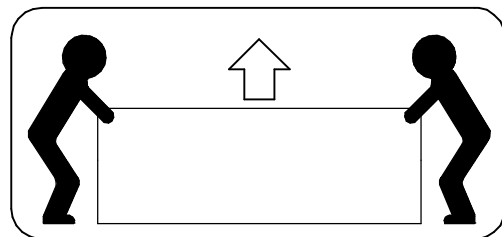
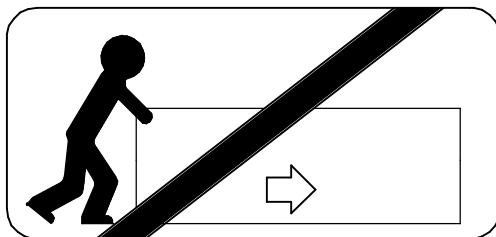
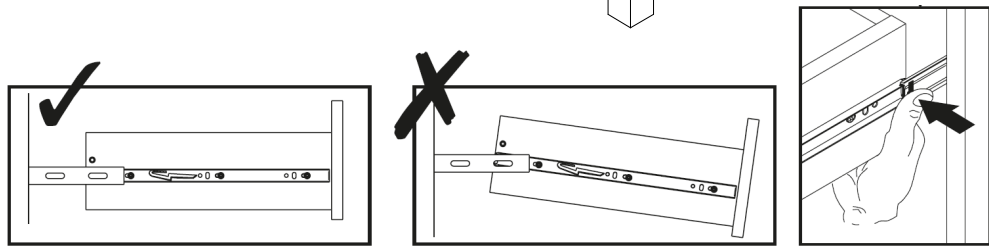
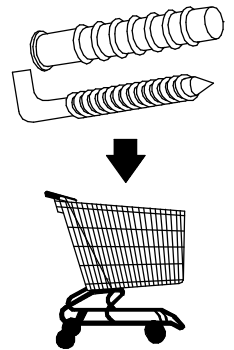
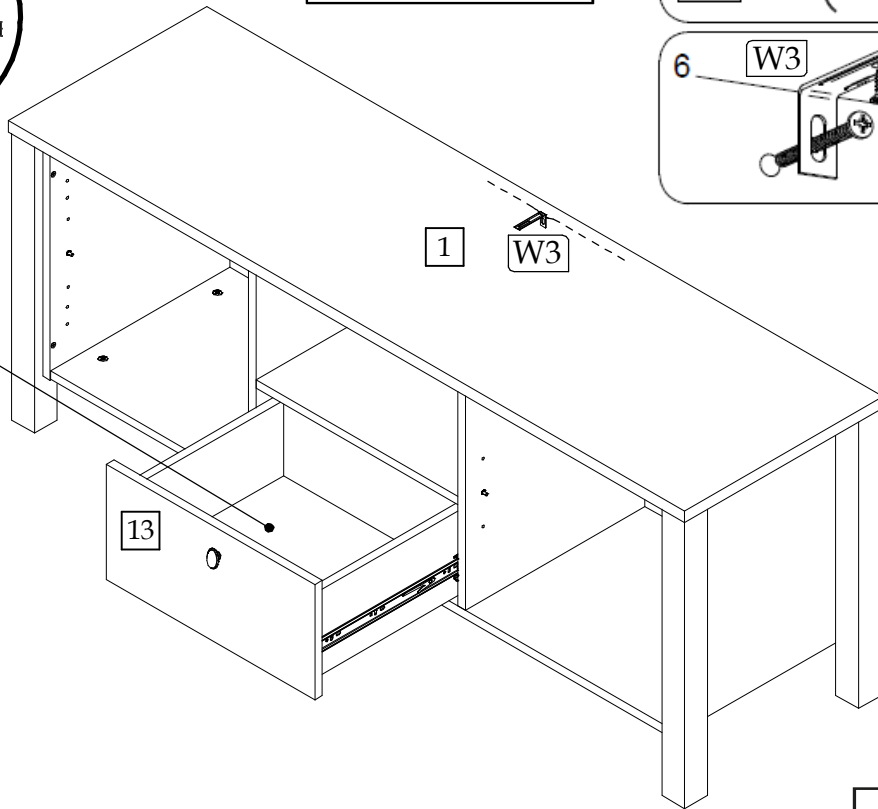
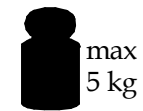
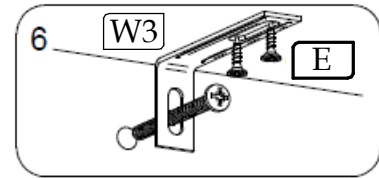
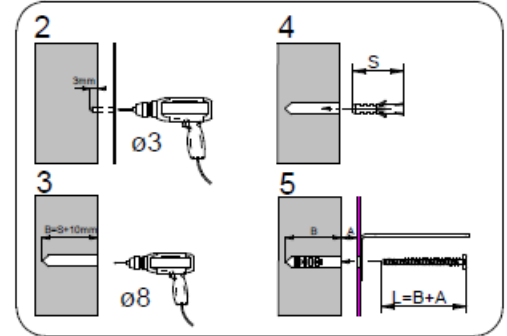
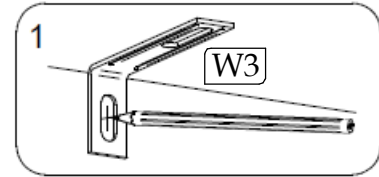
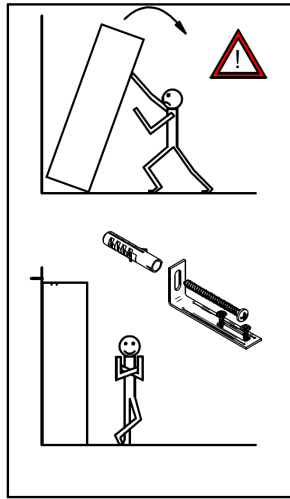
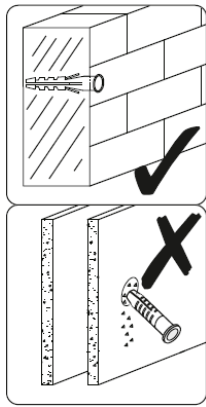
▶ 8



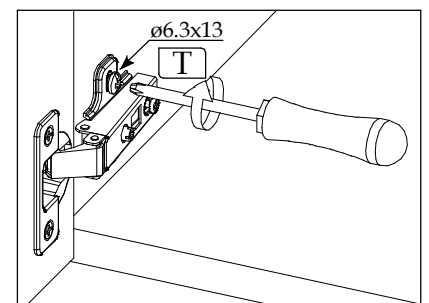
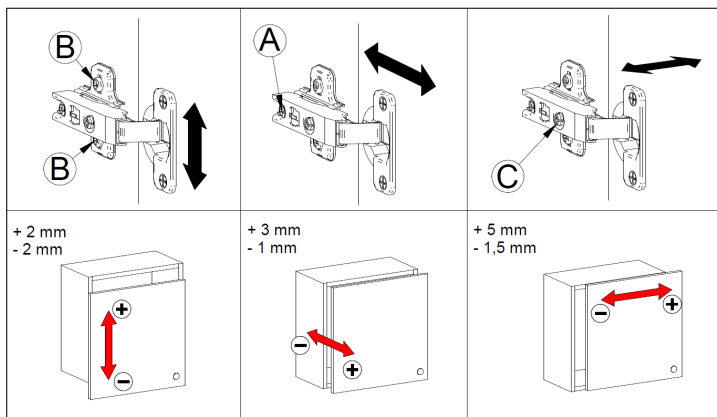
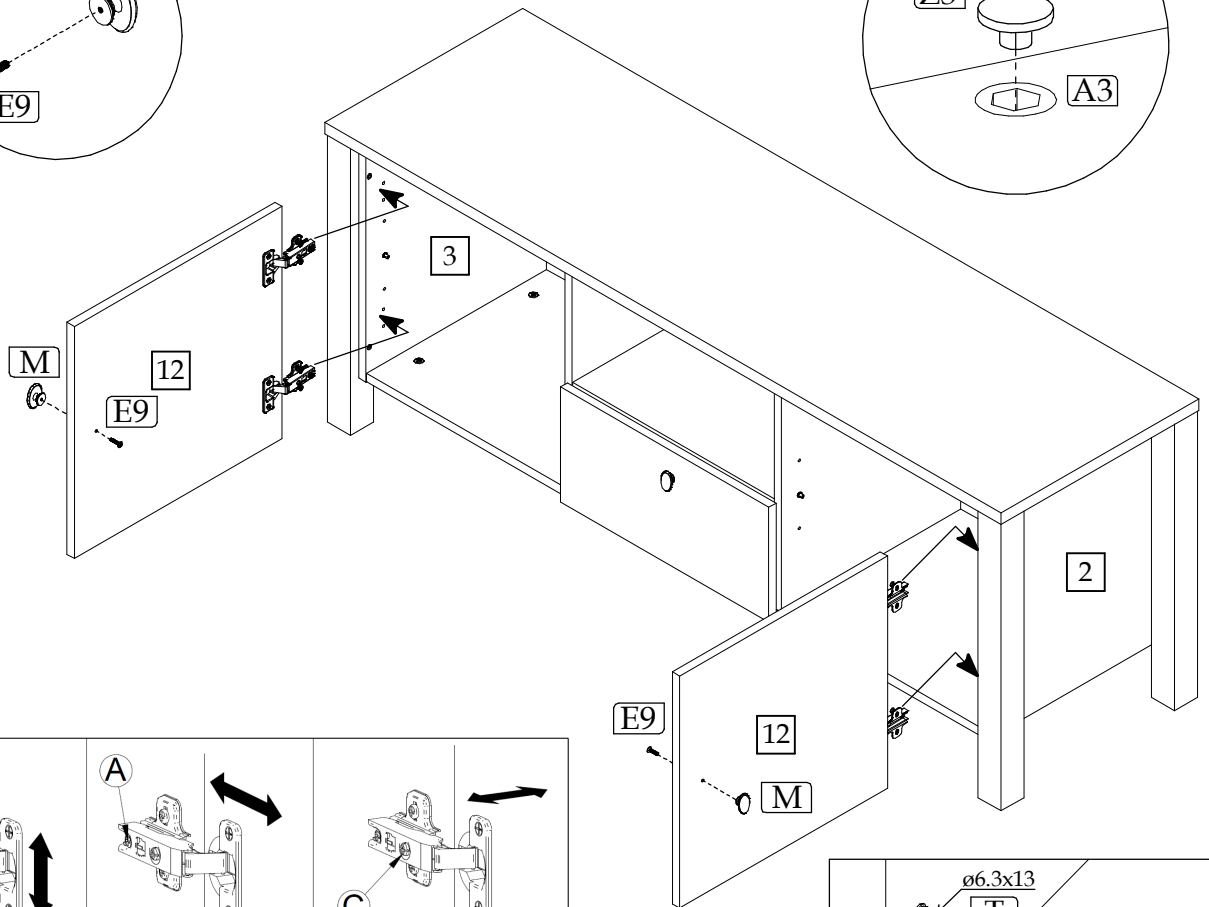
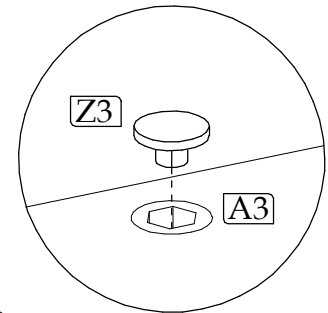
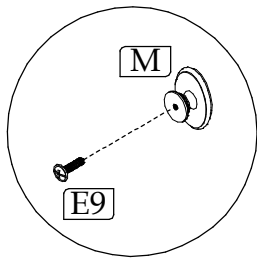
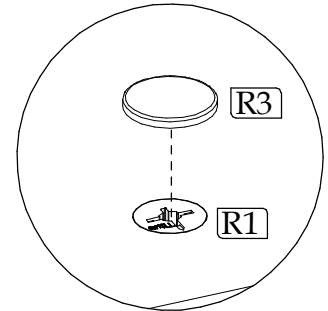
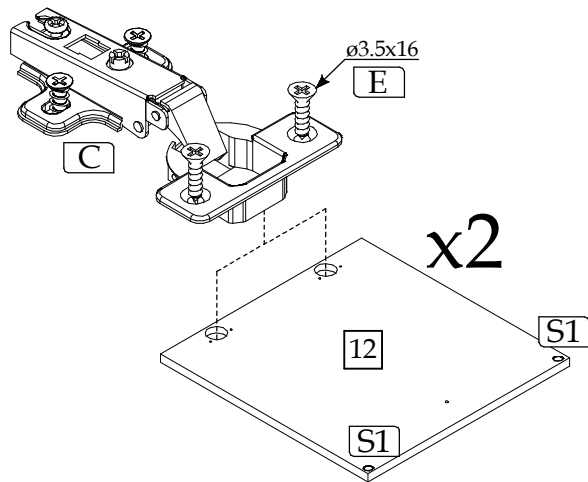
9



▶ 10



▶ 11



► 12

