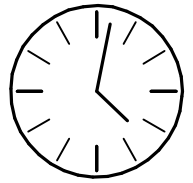
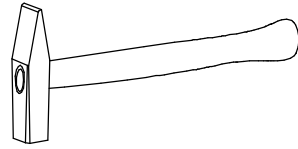
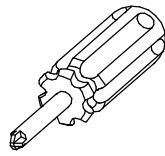
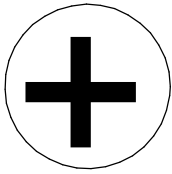
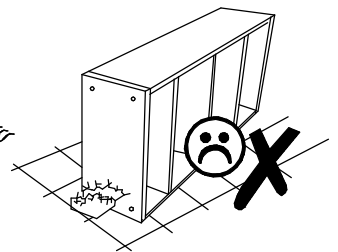
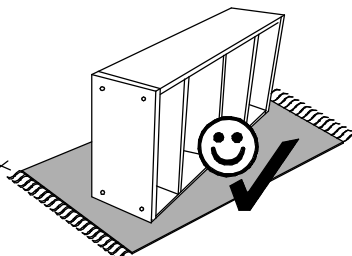
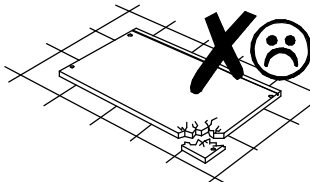
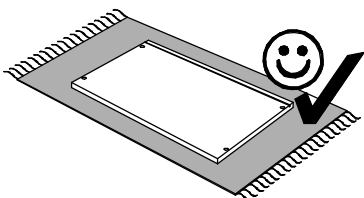
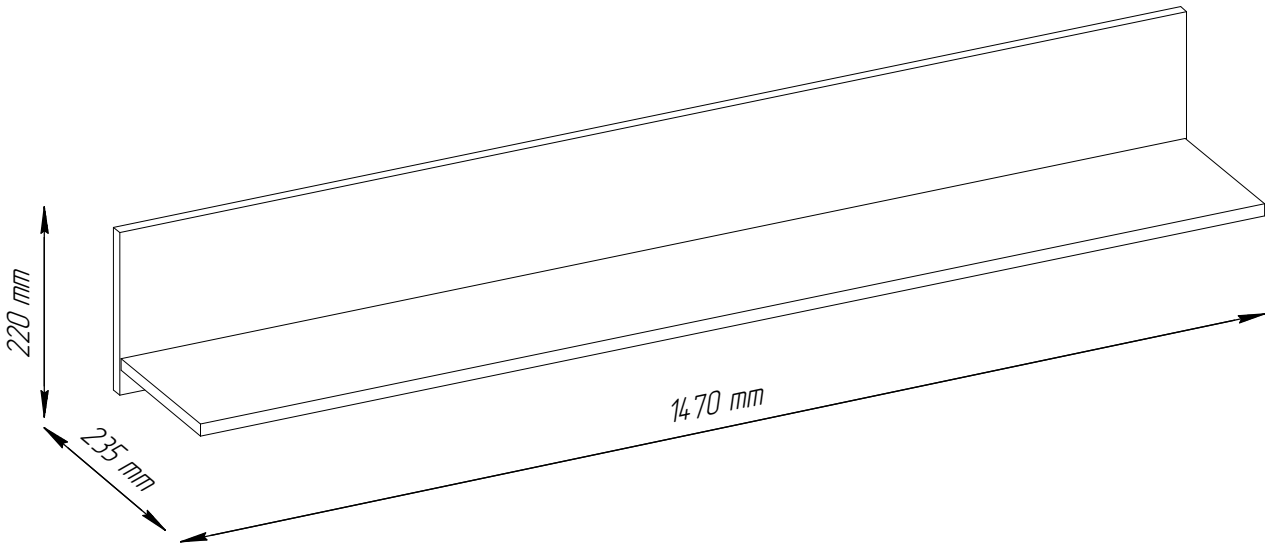
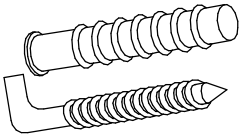
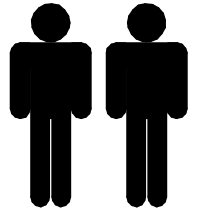
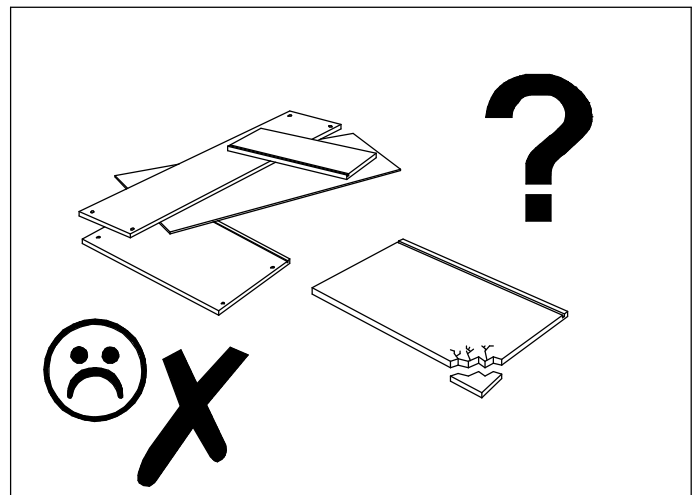
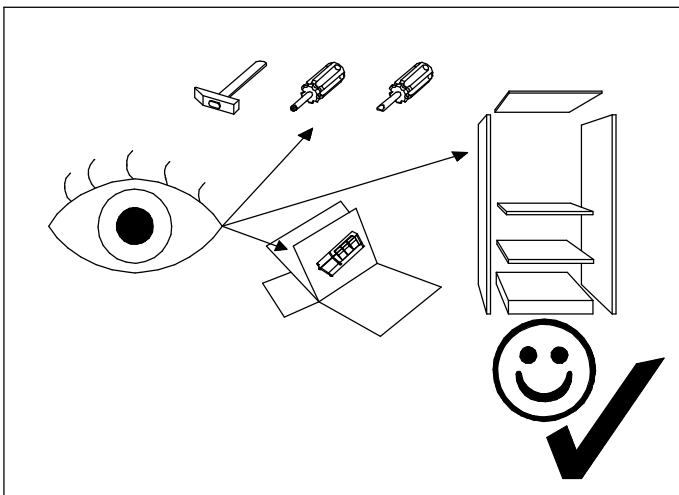
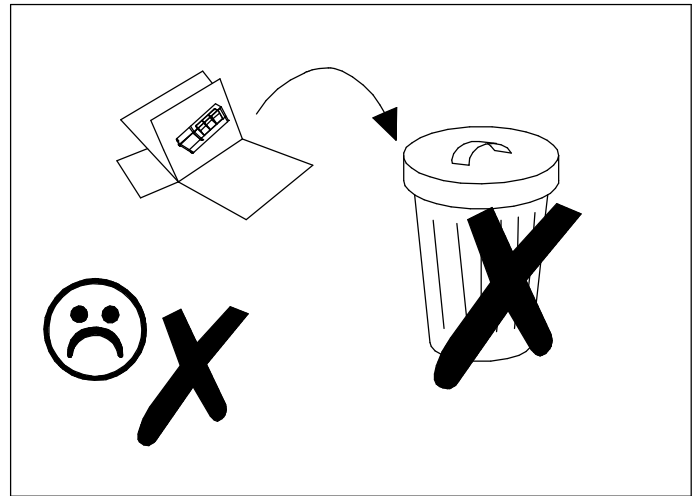
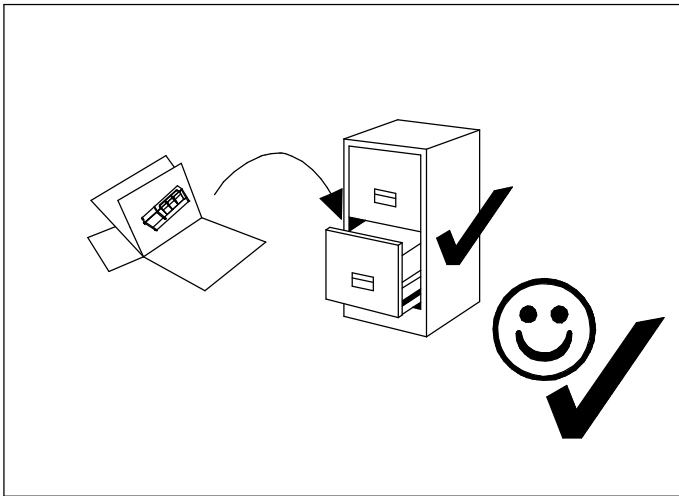
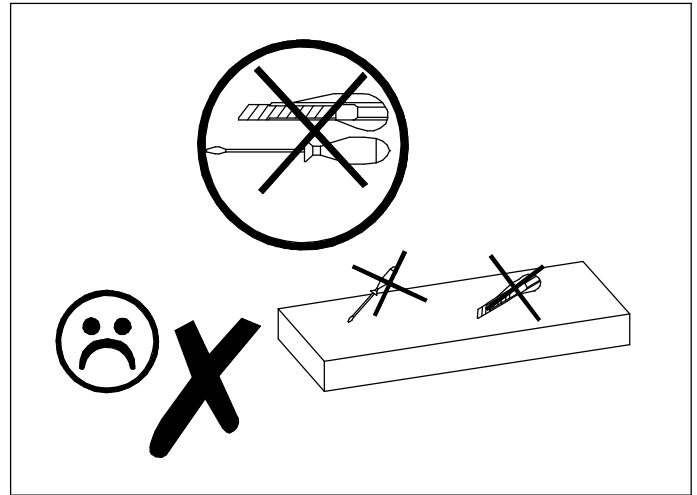
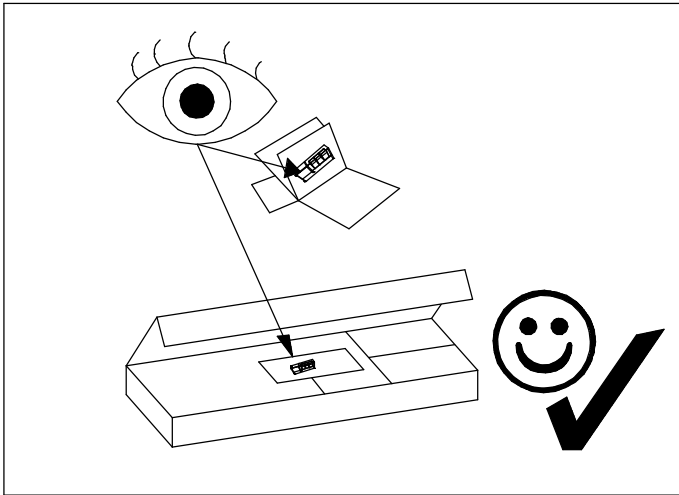


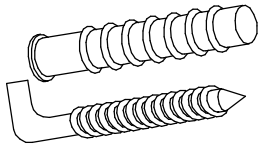
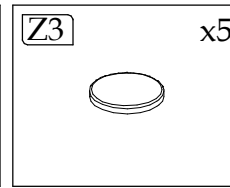
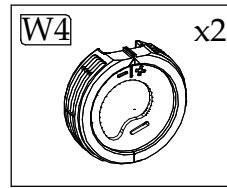
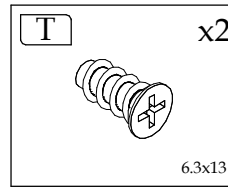
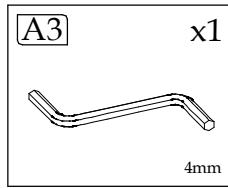
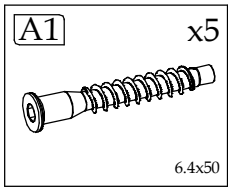
ARON D



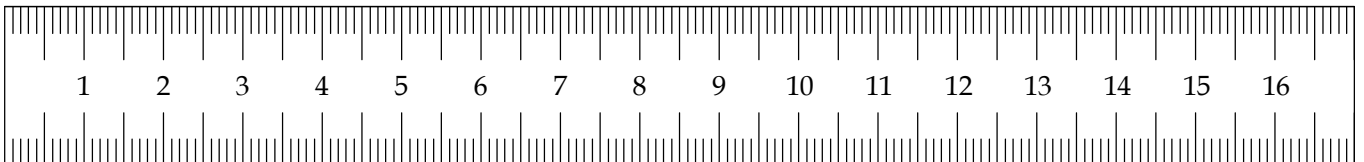
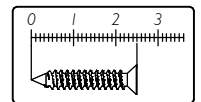
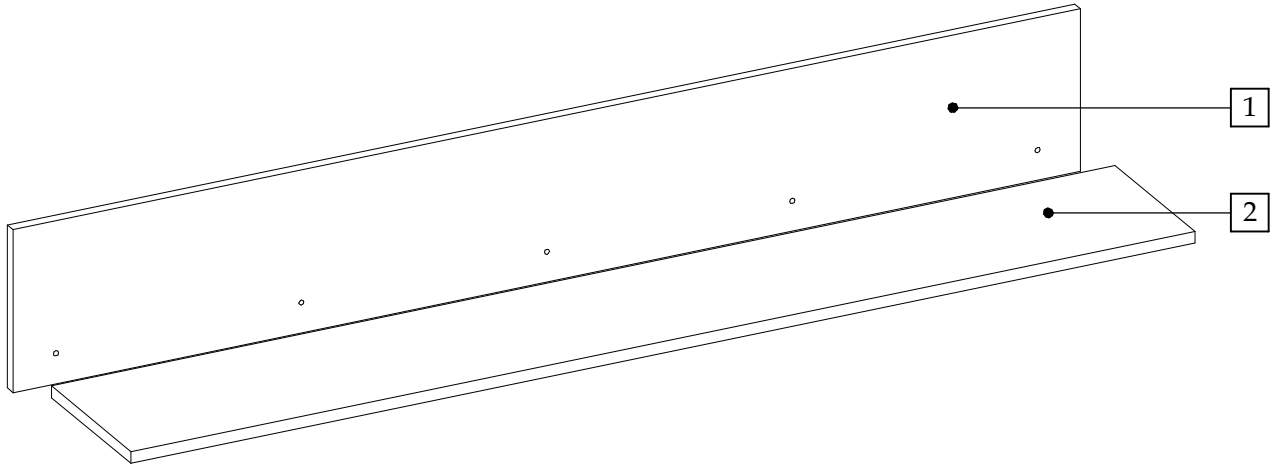
20 min





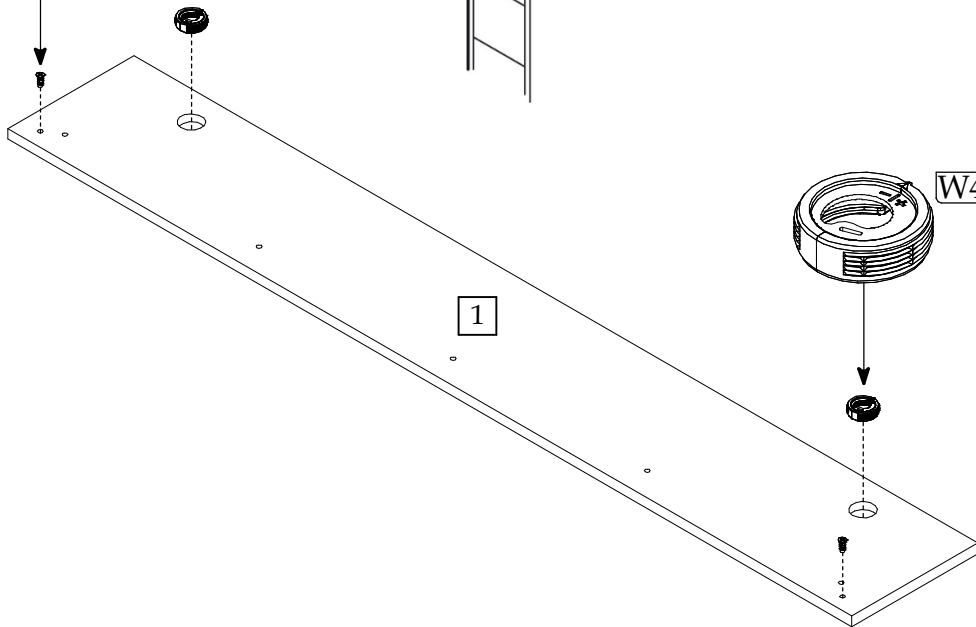
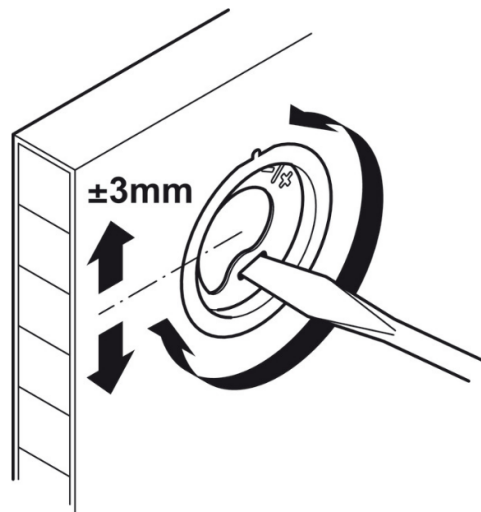


Element symbol	Measurements				Code	Packt
	1	2	3	4		
1	1470	220	16	1	1001	1/1
2	1466	219	22	1	1002	1/1

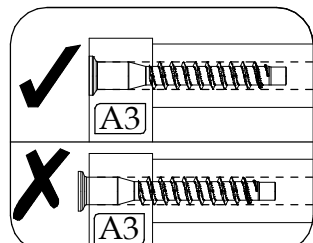
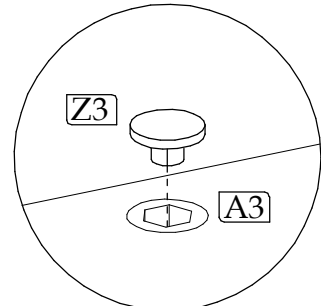
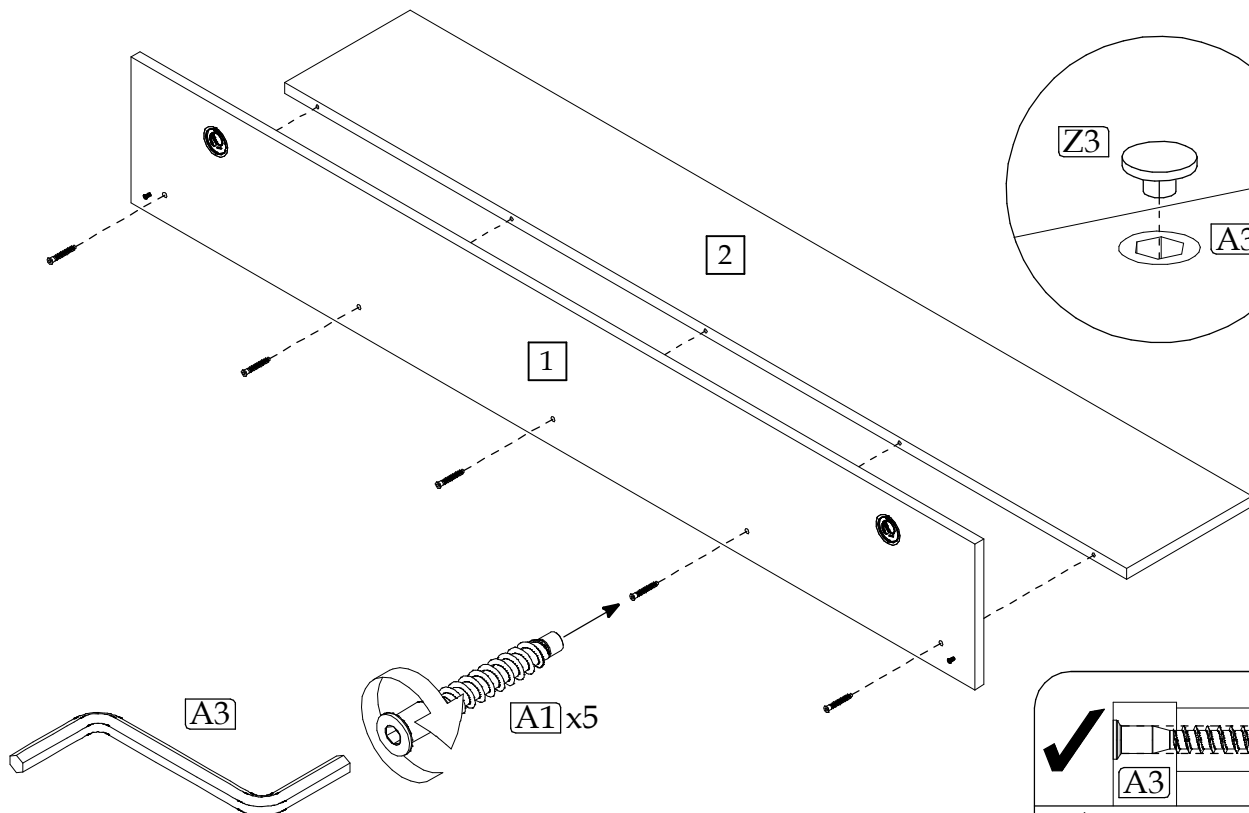


▶ 1

ø6.3x13
T



▶ 2



▶ 3

