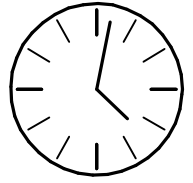
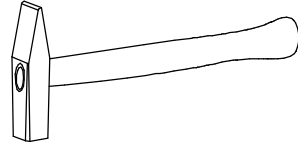
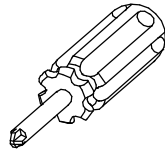
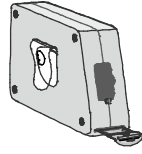
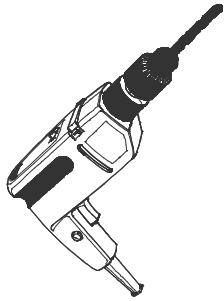
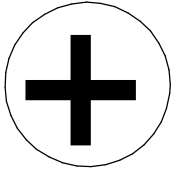
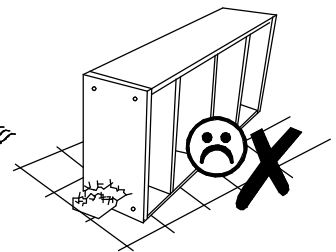
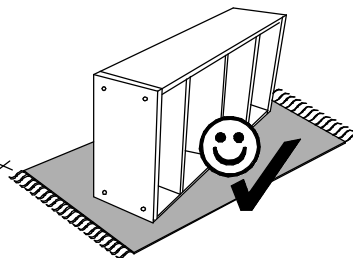
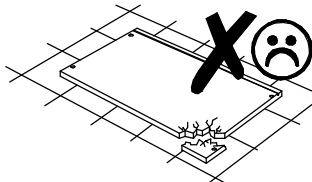
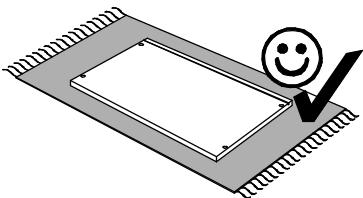
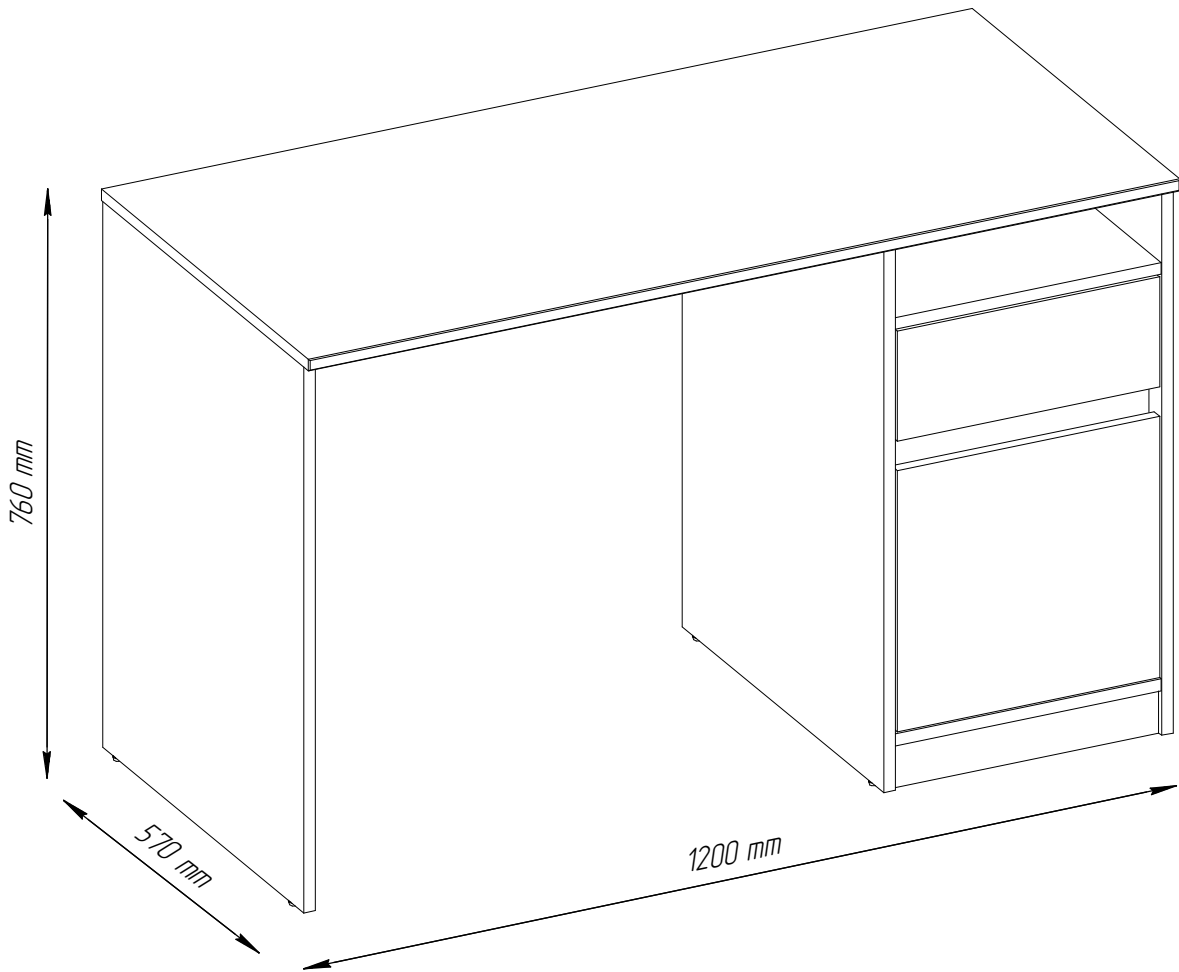
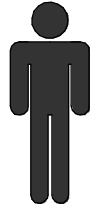
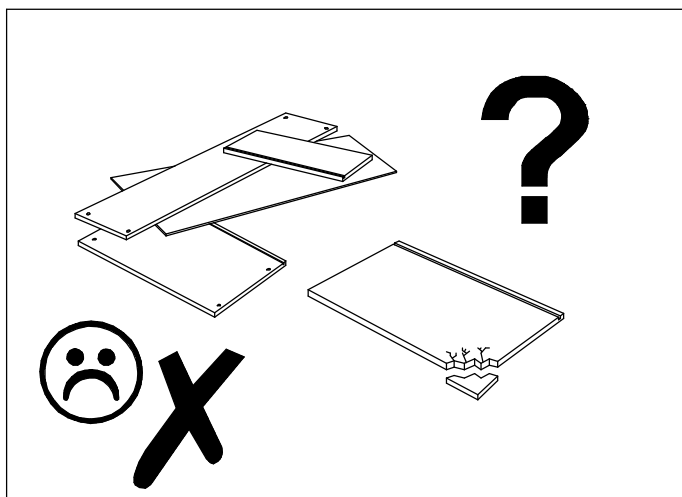
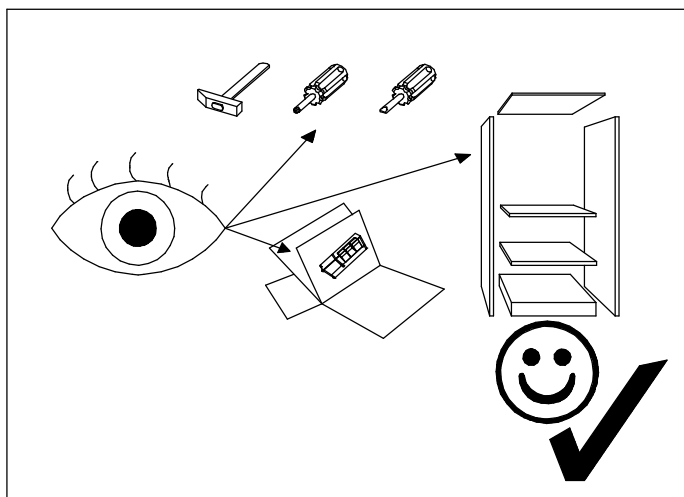
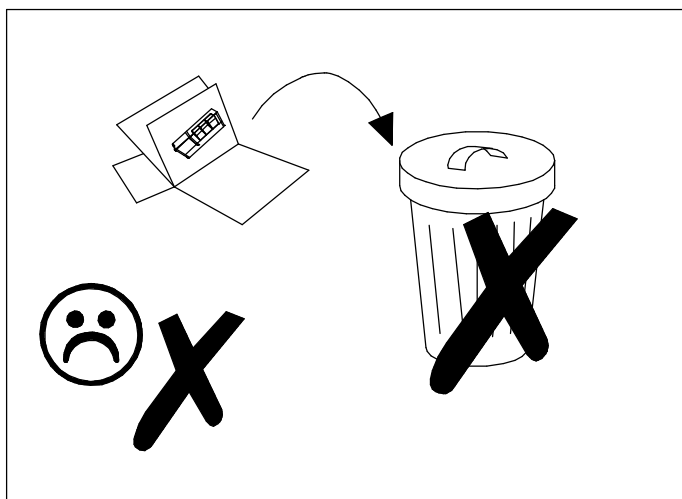
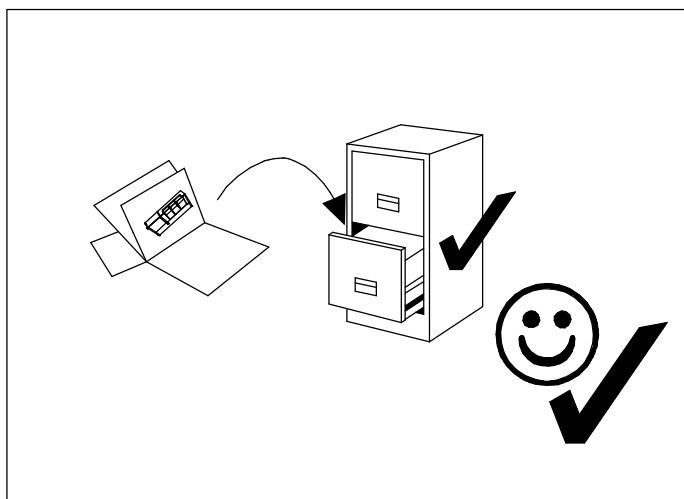
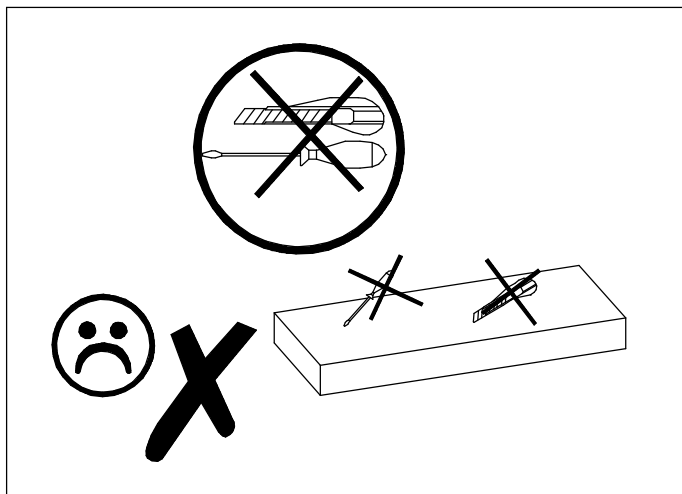
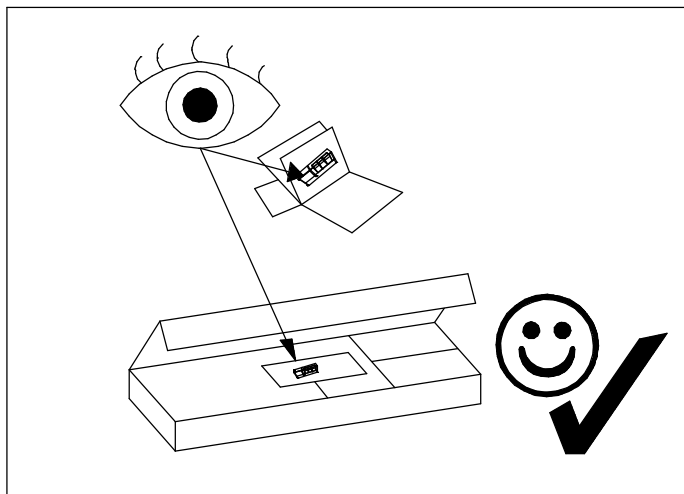


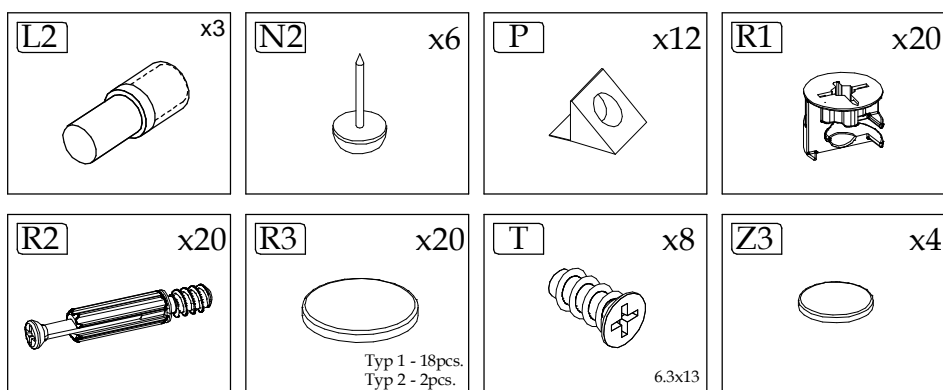
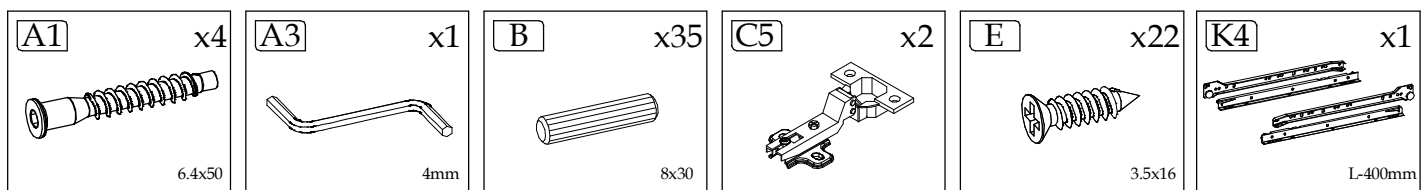
BILL BIURKO 1D1S



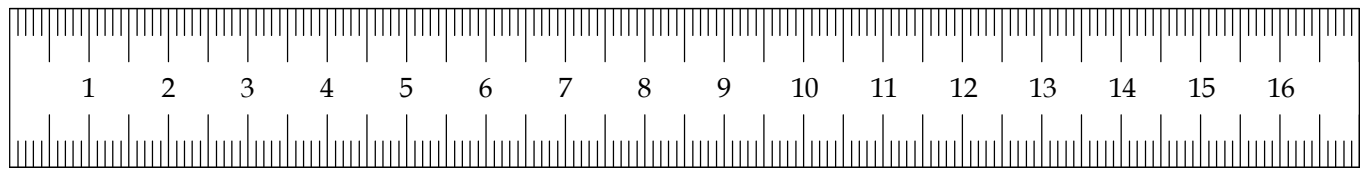
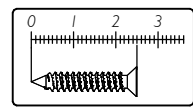
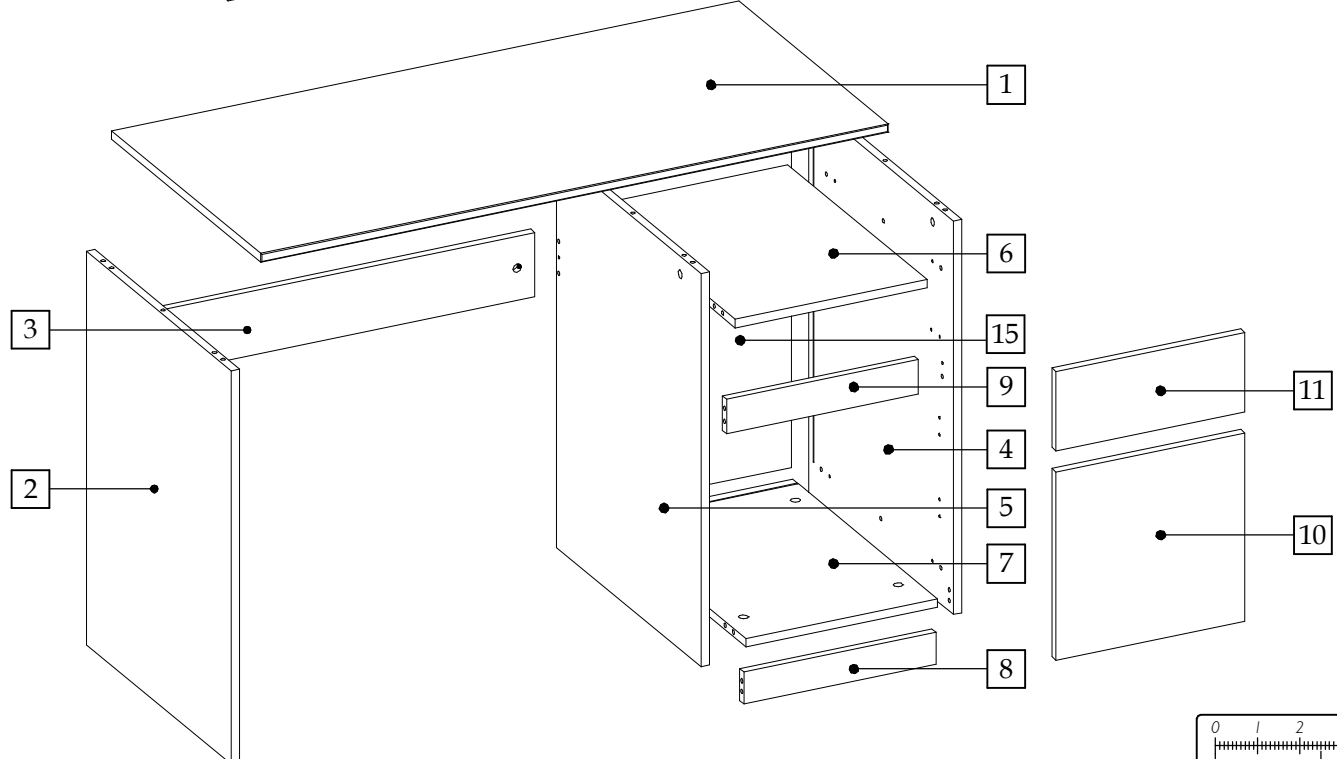
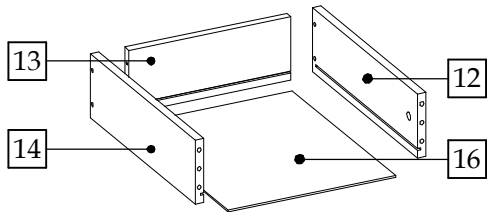
90 min

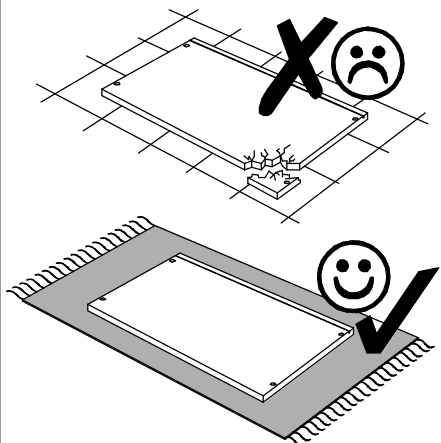
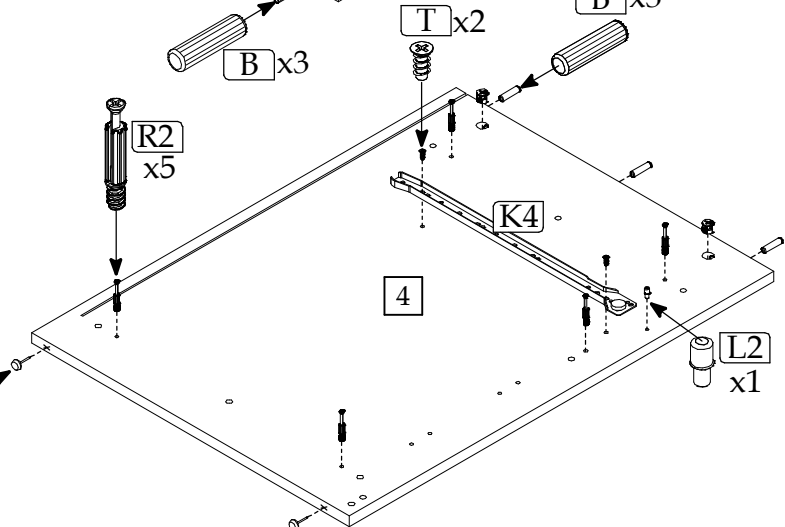
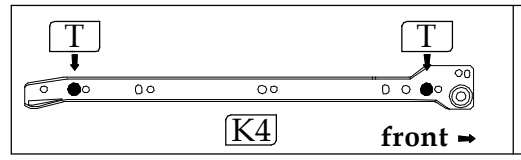
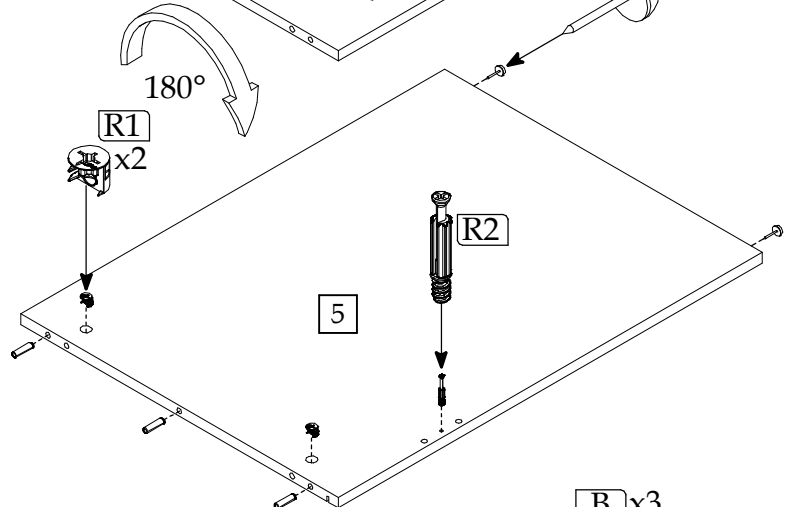
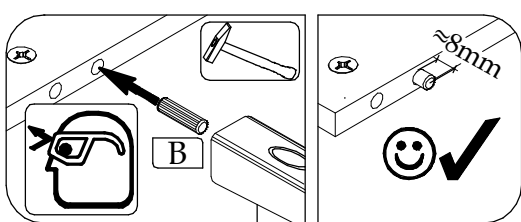
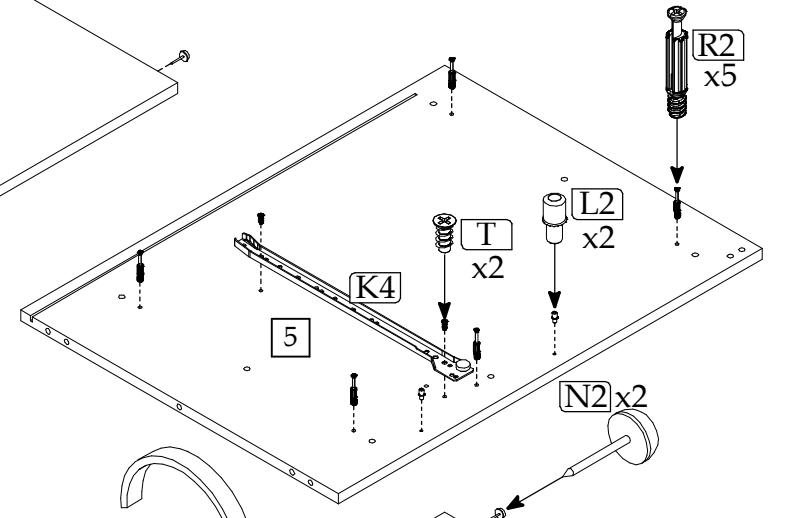
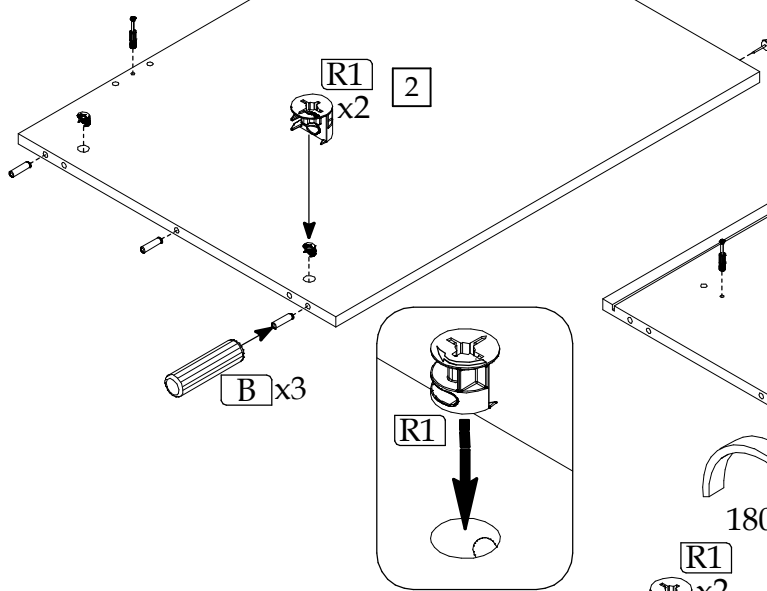
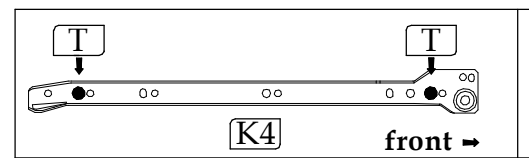
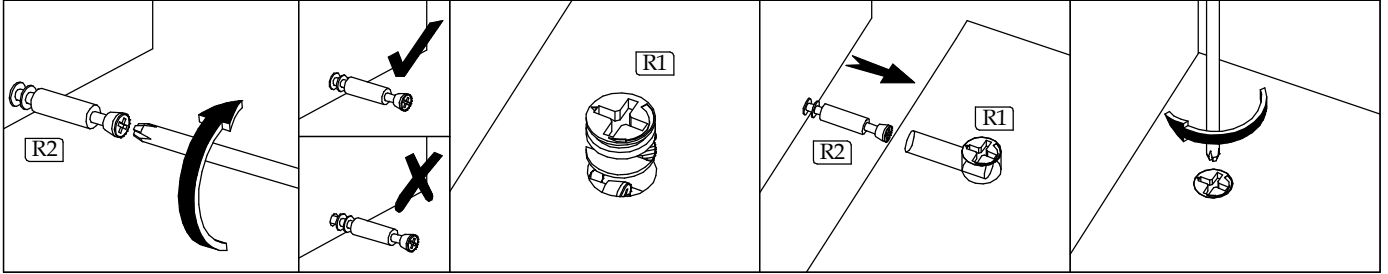




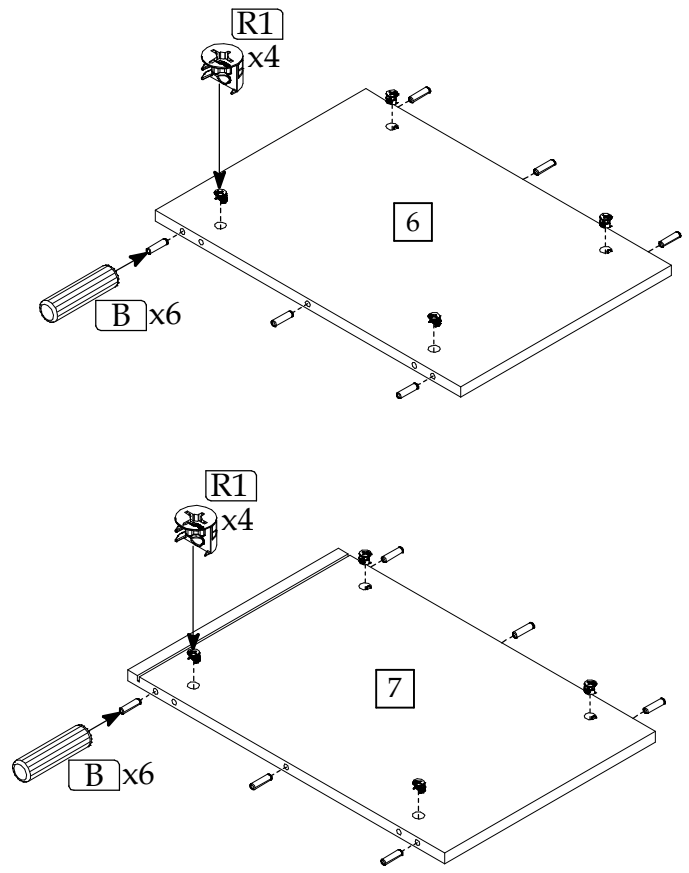
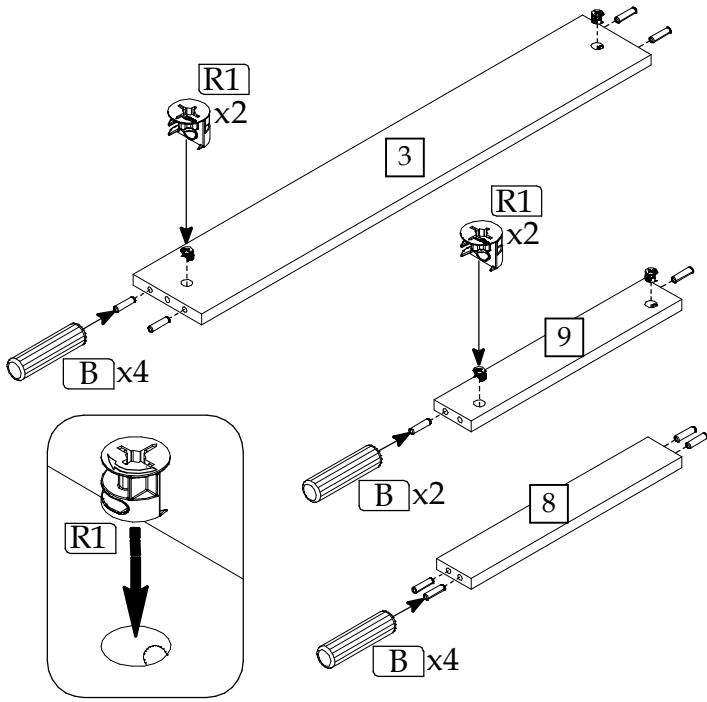
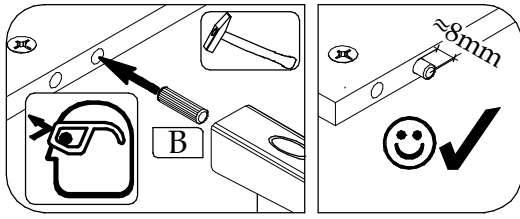


| Element symbol | Measurements | | | | Code | Paket |
|----------------|--------------|-----|----|---|-----------|-------|
| | 1 | 2 | 3 | 4 | | |
| 1 | 1200 | 570 | 16 | 1 | 1003 | 1/1 |
| 2 | 739 | 554 | 16 | 1 | 1002 | 1/1 |
| 3 | 783 | 120 | 16 | 1 | 1004 | 1/1 |
| 4 | 739 | 554 | 16 | 1 | 1006 | 1/1 |
| 5 | 739 | 554 | 16 | 1 | 1007/2007 | 1/1 |
| 6 | 367 | 532 | 16 | 1 | 1030 | 1/1 |
| 7 | 367 | 552 | 16 | 1 | 1029 | 1/1 |
| 8 | 367 | 60 | 16 | 1 | 1008 | 1/1 |
| 9 | 367 | 65 | 16 | 1 | 1032 | 1/1 |
| 10 | 353.5 | 361 | 16 | 1 | 1031 | 1/1 |
| 11 | 361 | 149 | 16 | 1 | 1033 | 1/1 |
| 12 | 400.5 | 120 | 16 | 1 | 1034 | 1/1 |
| 13 | 310 | 119 | 16 | 1 | 1035 | 1/1 |
| 14 | 400.5 | 120 | 16 | 1 | 1036 | 1/1 |
| 15 | 677 | 381 | 3 | 1 | N/A | 1/1 |
| 16 | 320 | 394 | 3 | 1 | N/A | 1/1 |

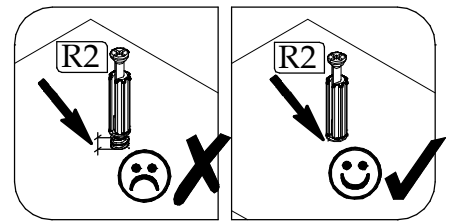
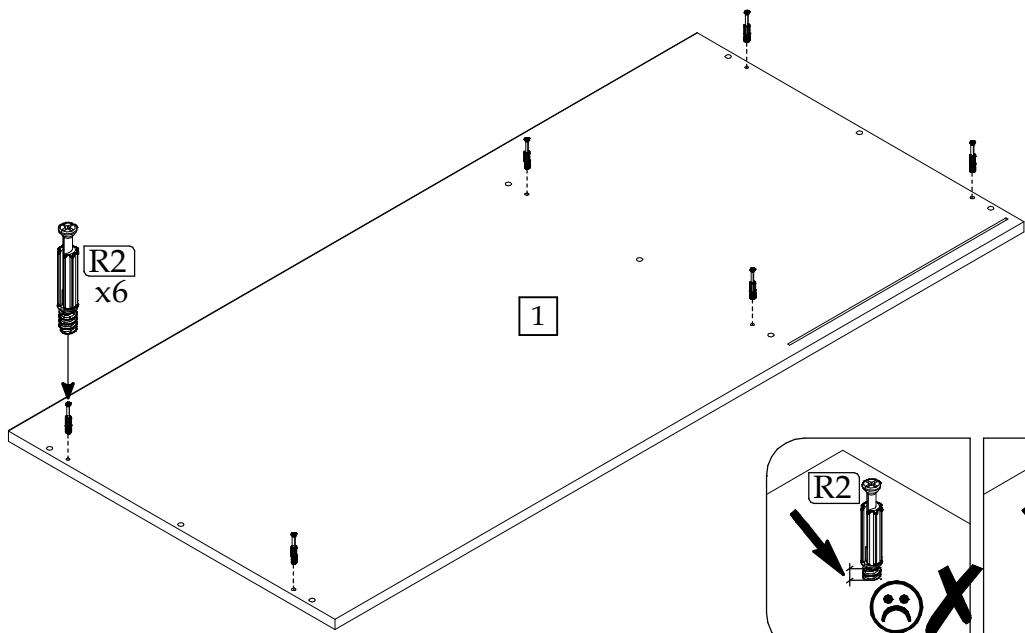
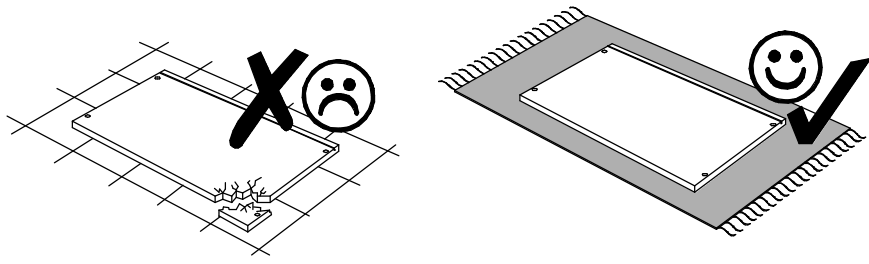




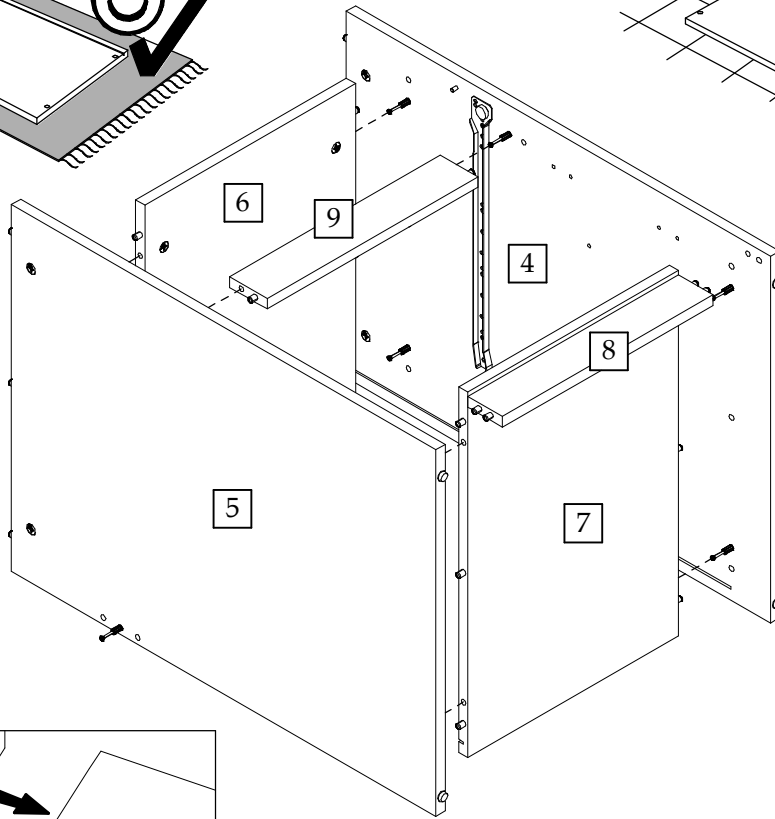
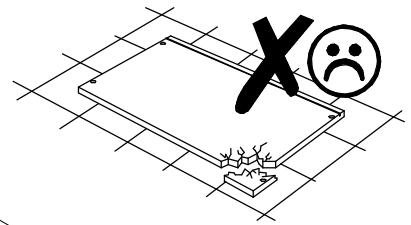
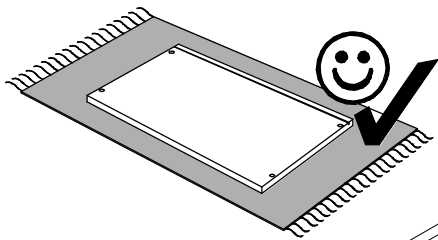
▶ 2



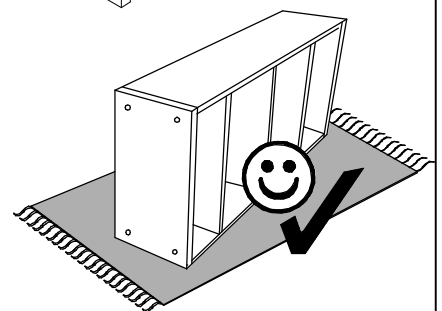
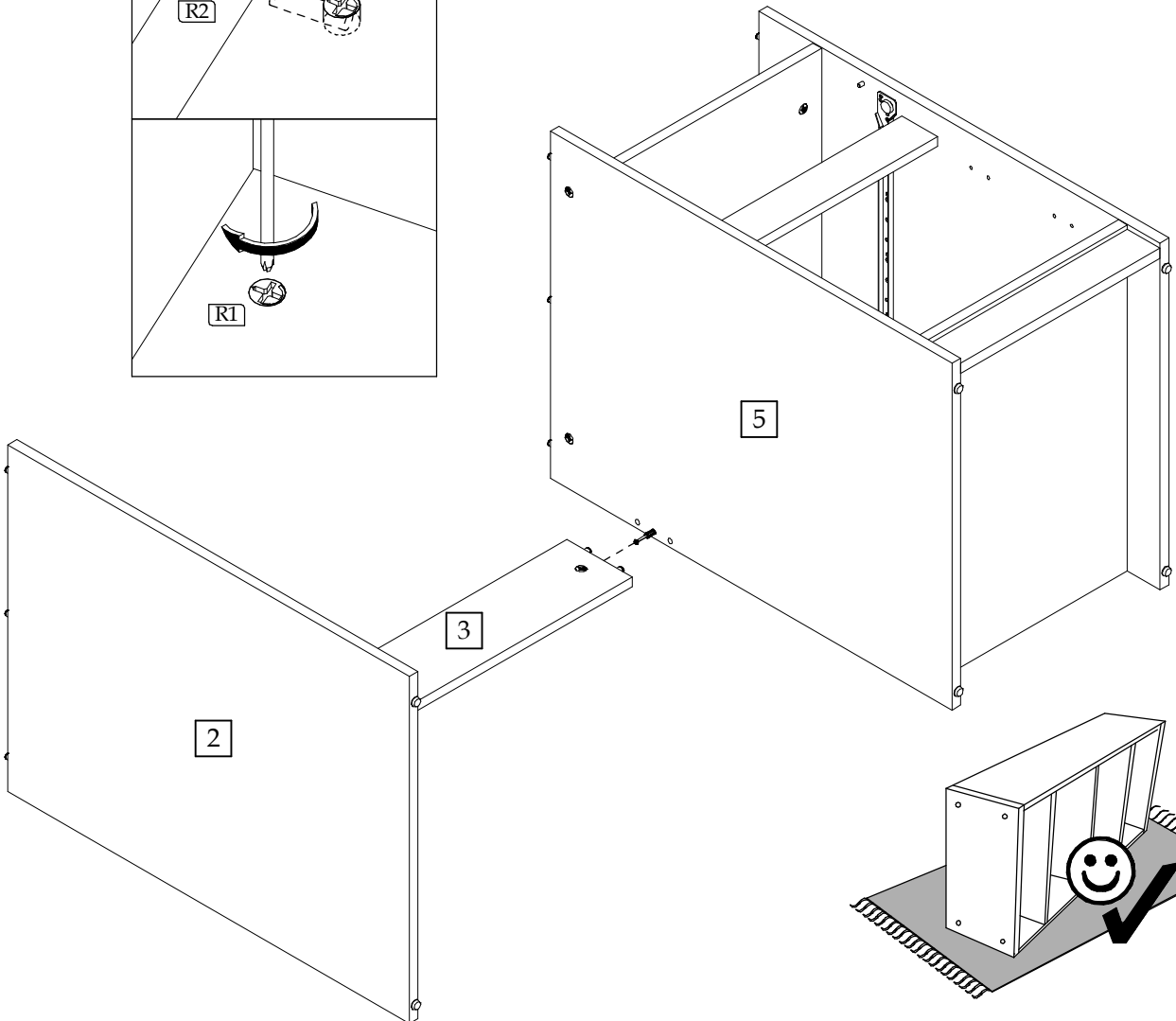
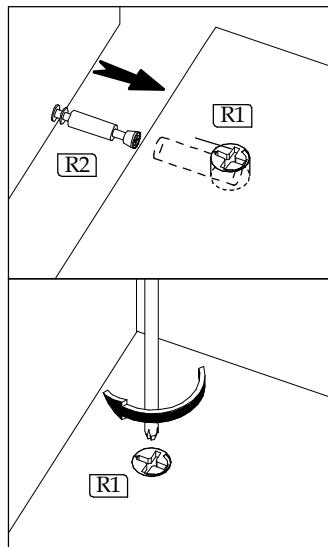
▶ 3



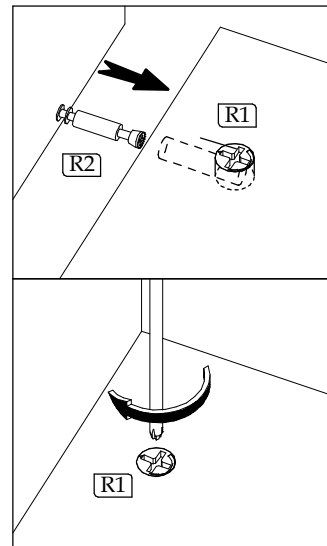
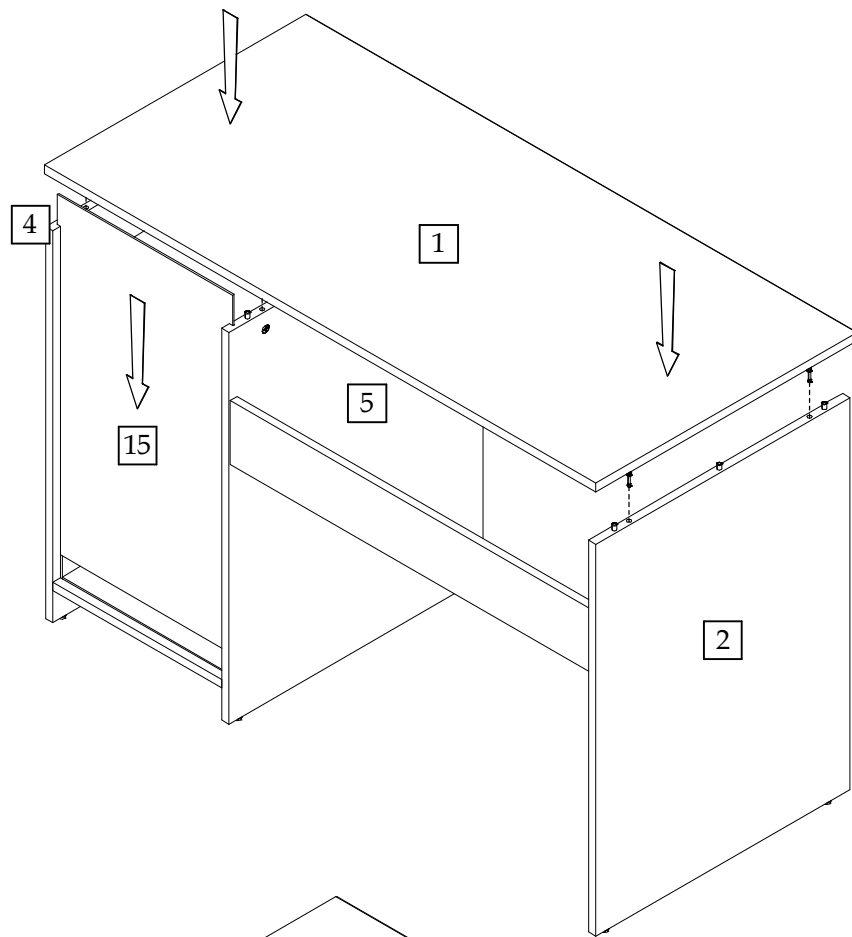
▶ 4



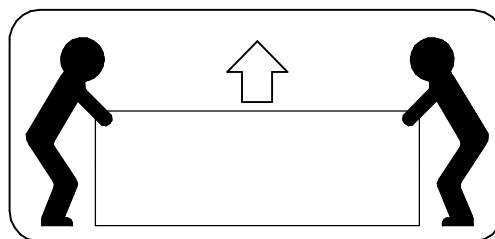
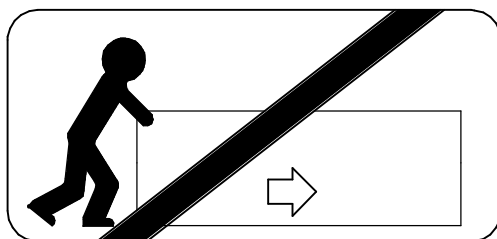
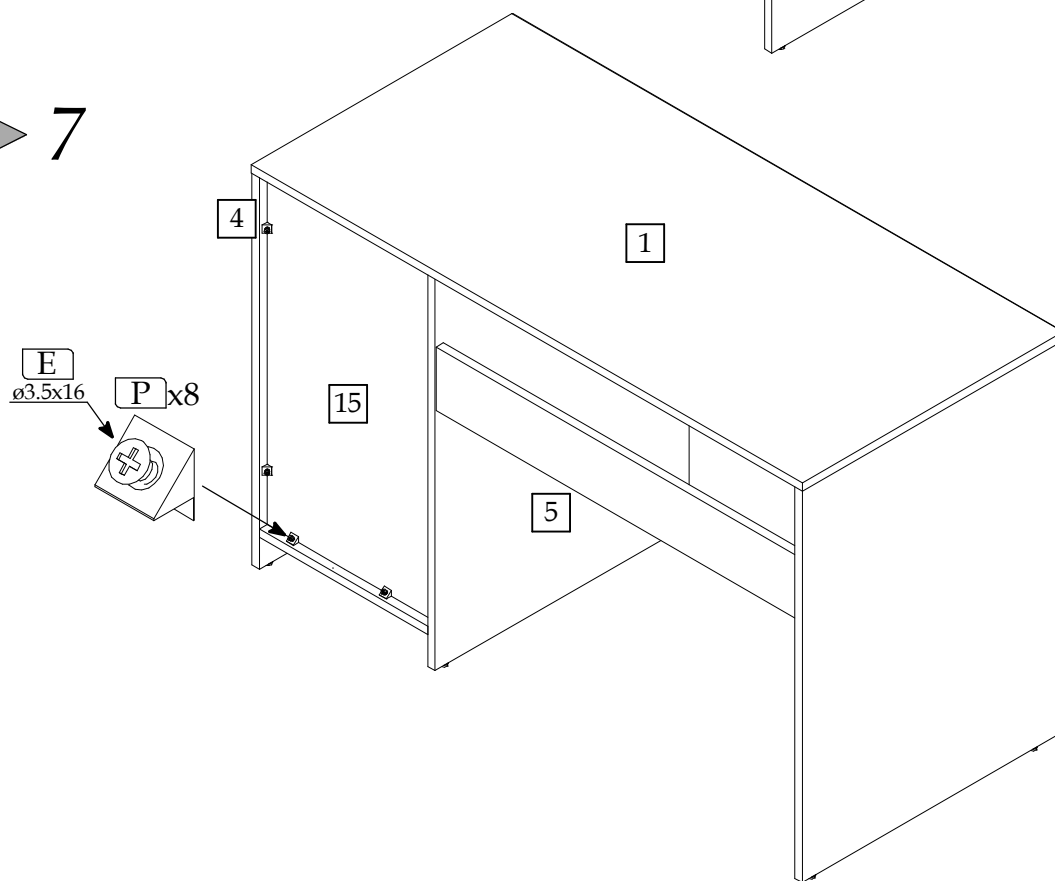
▶ 5



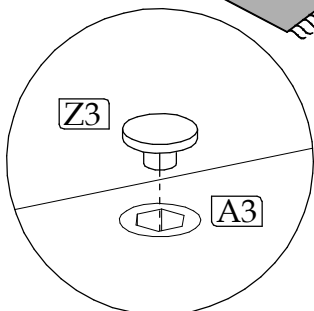
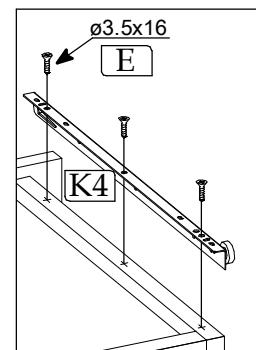
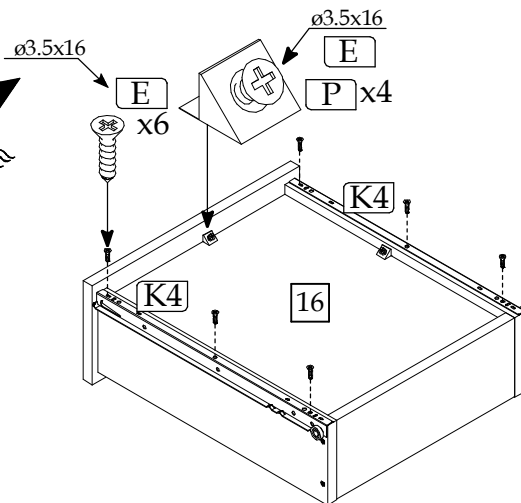
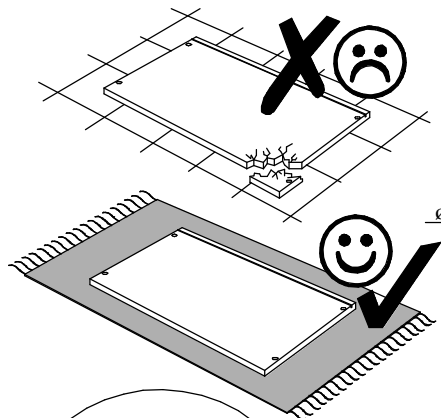
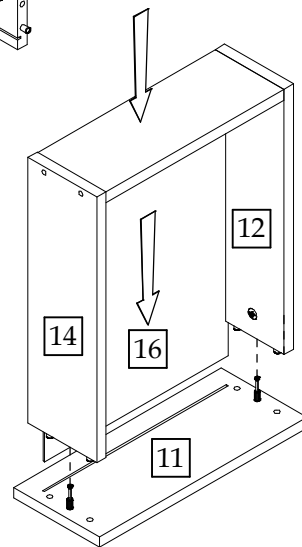
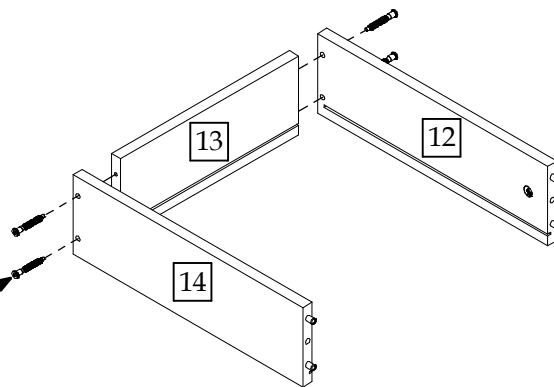
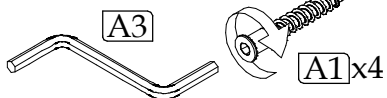
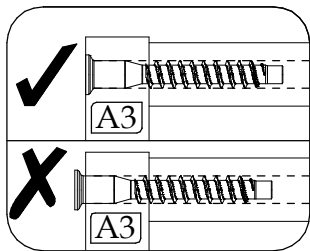
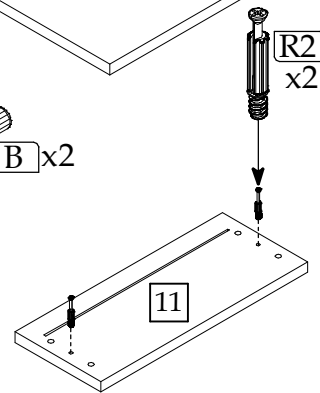
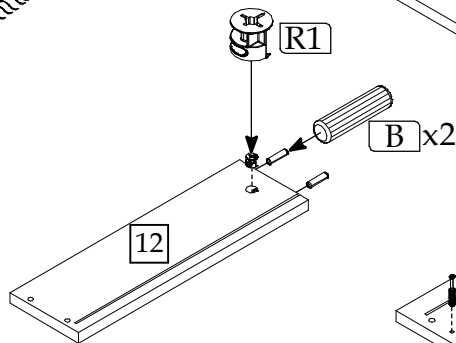
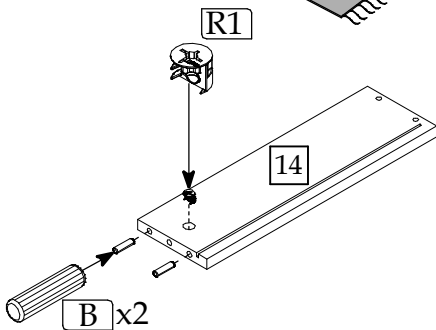
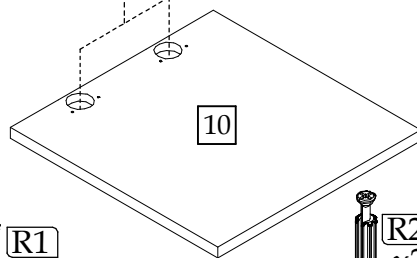
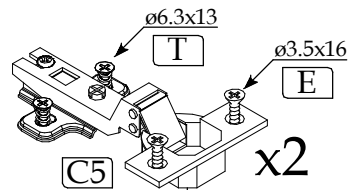
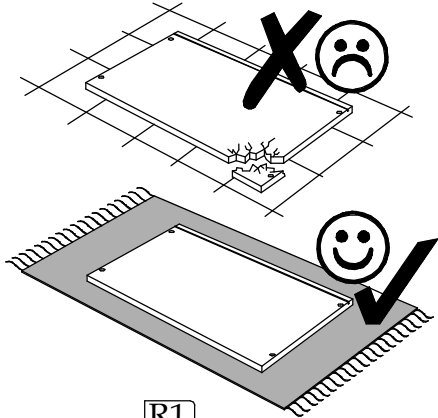
▶ 6



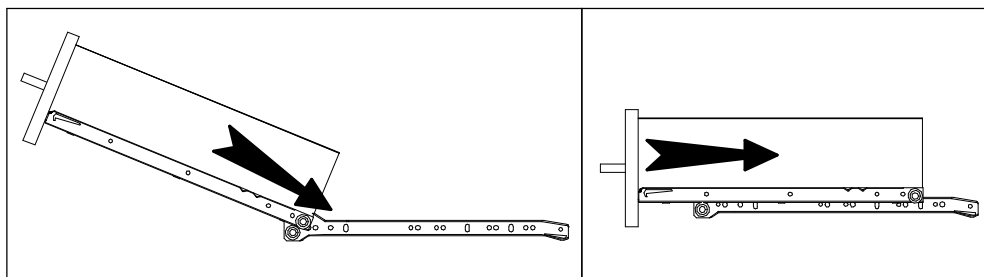
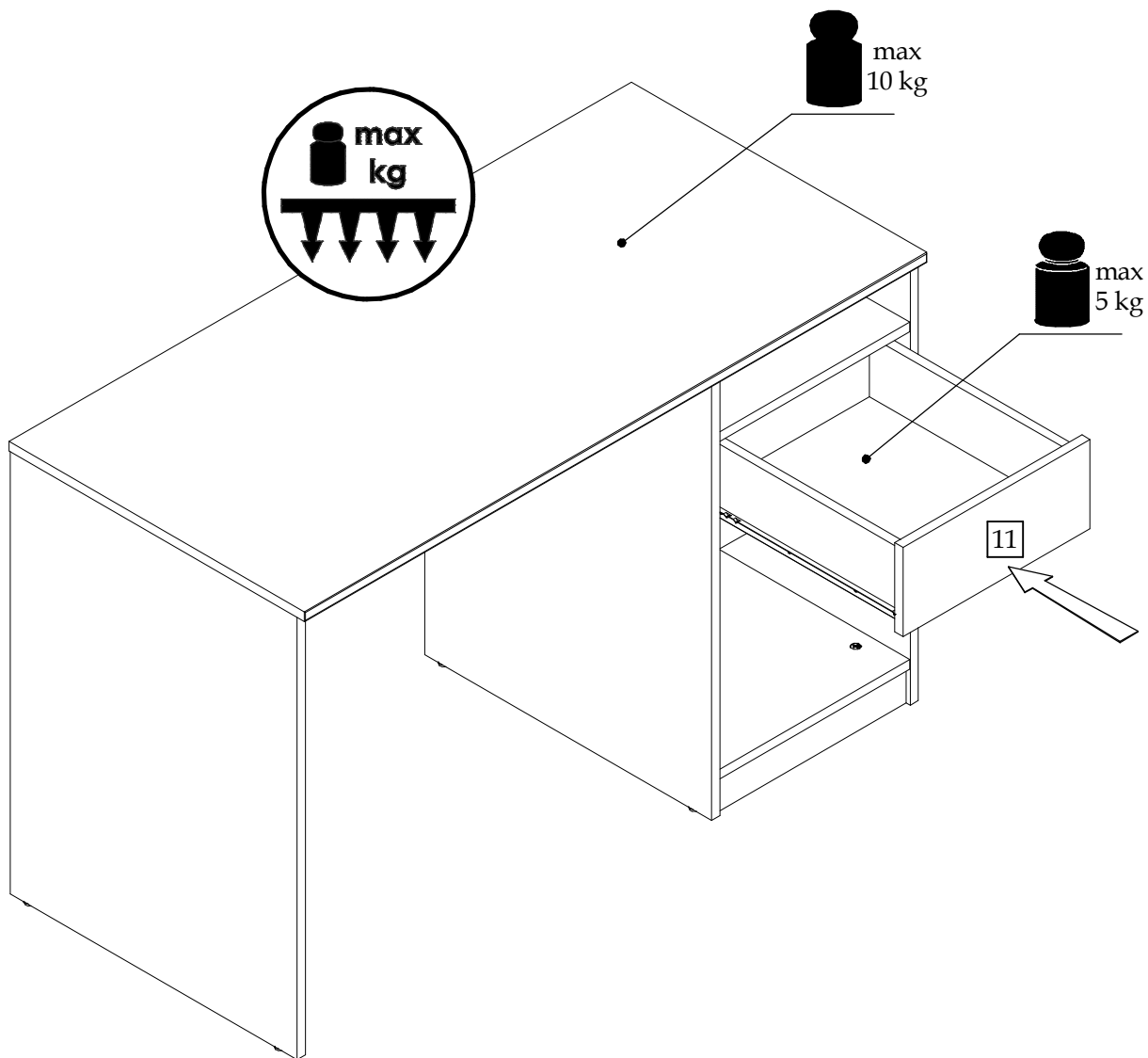
▶ 7



8



▶ 9



► 10

