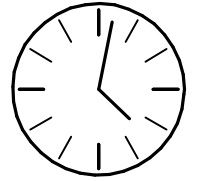
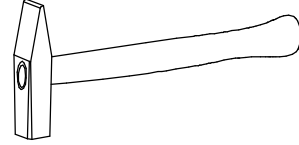
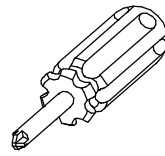
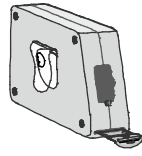
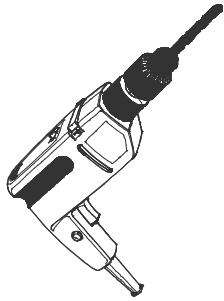
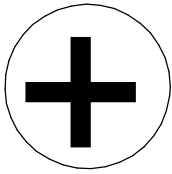
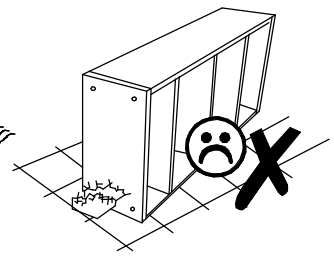
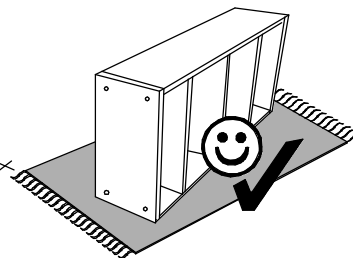
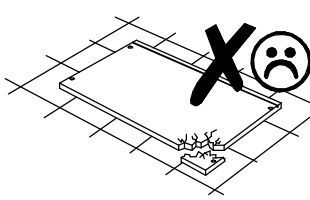
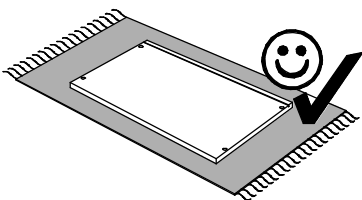
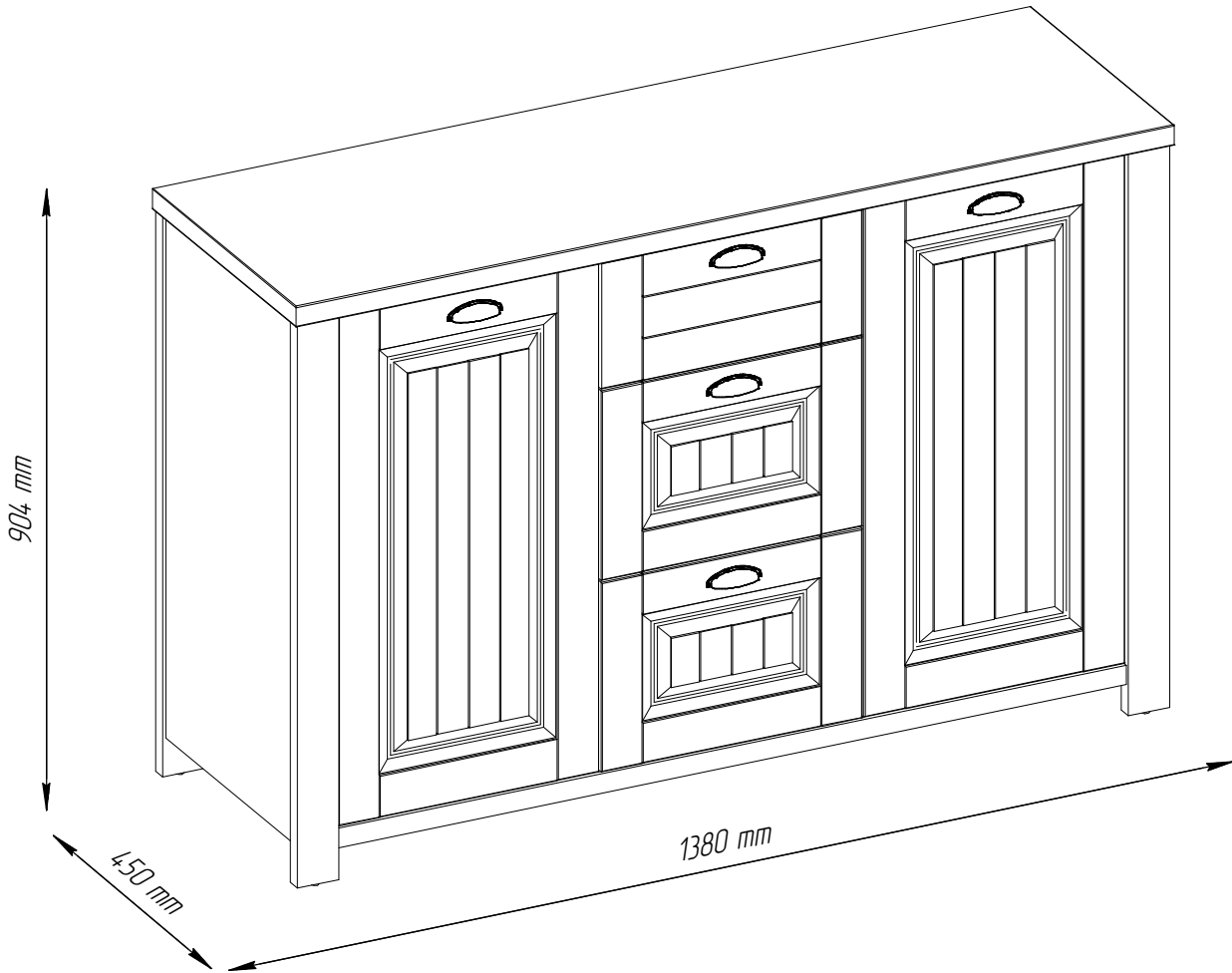
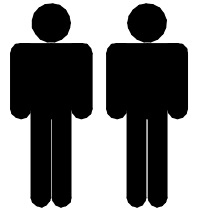
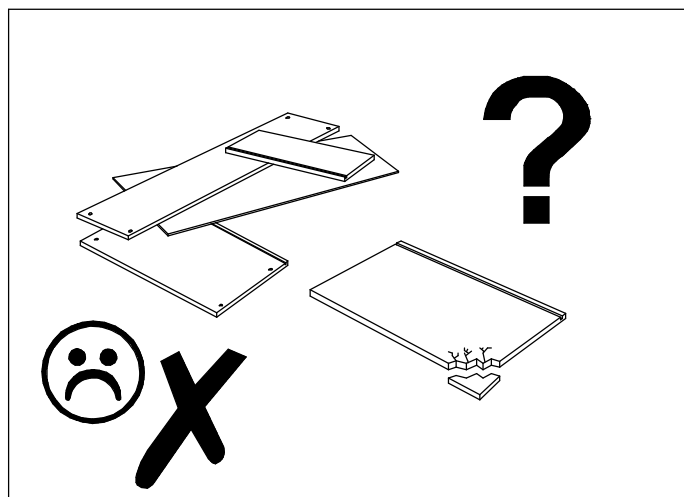
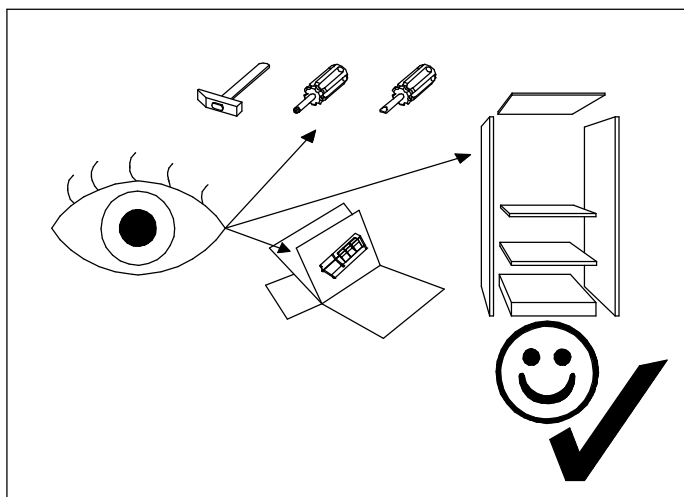
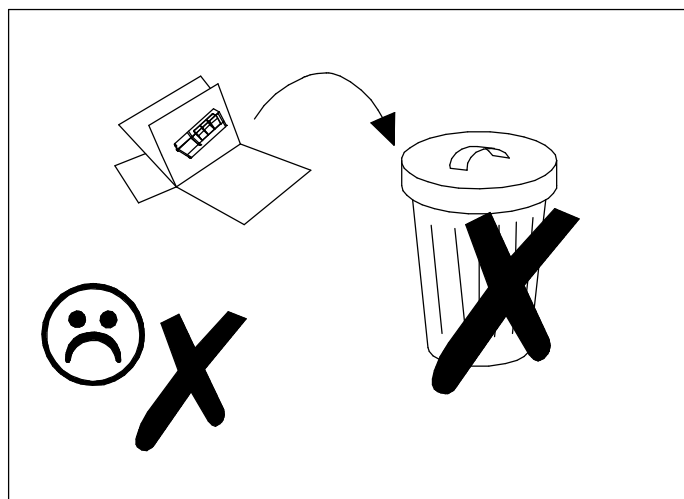
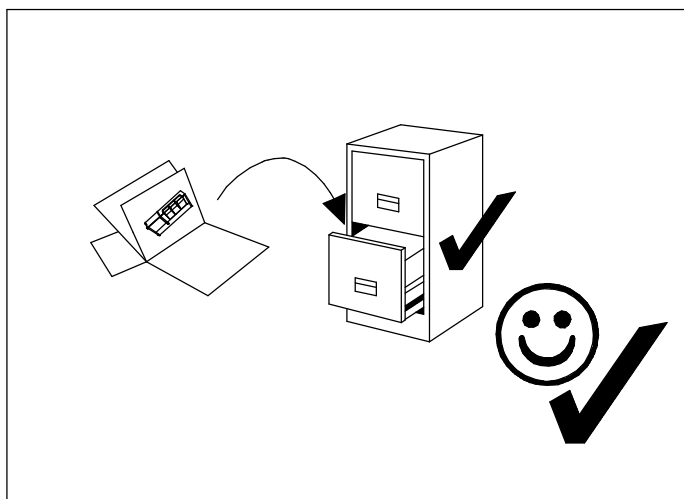
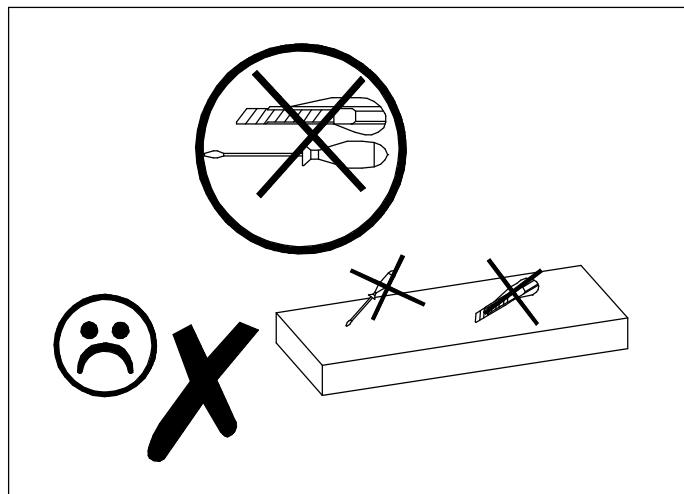
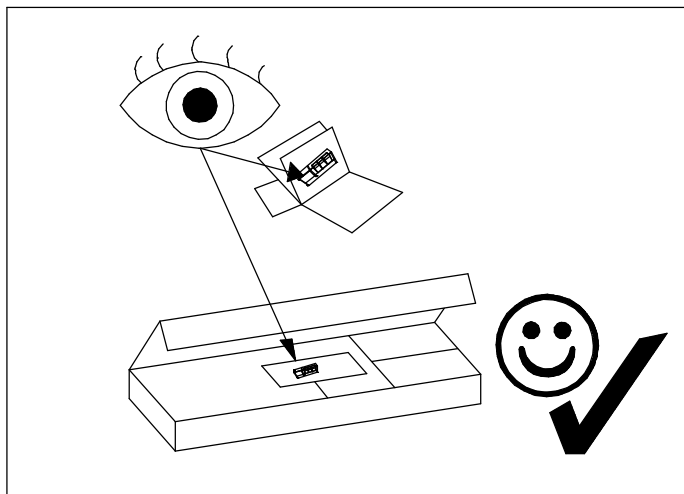


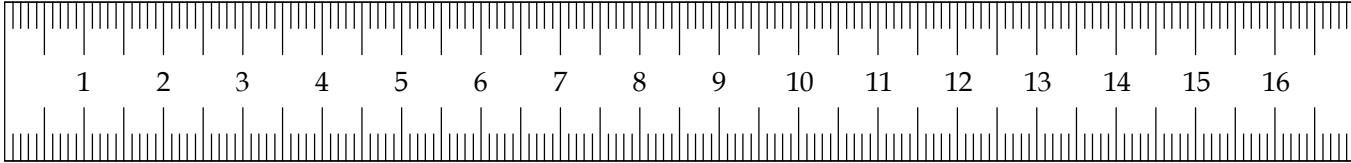
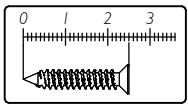
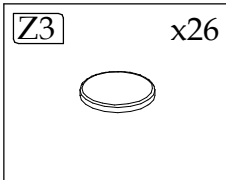
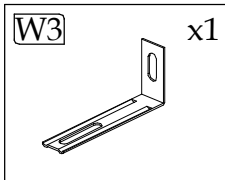
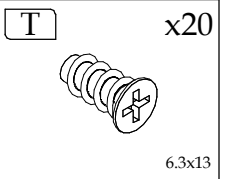
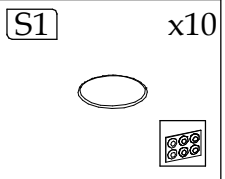
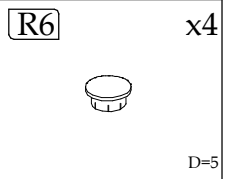
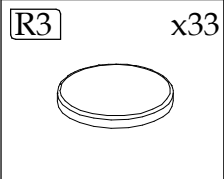
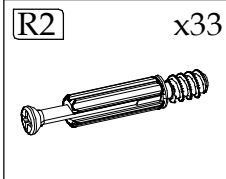
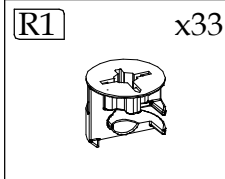
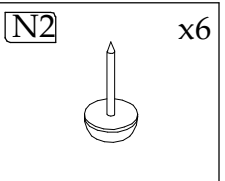
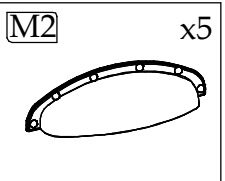
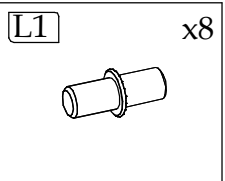
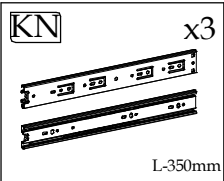
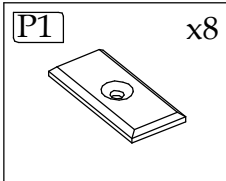
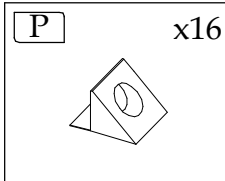
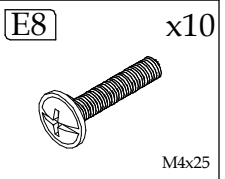
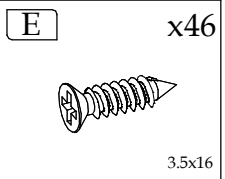
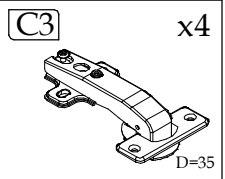
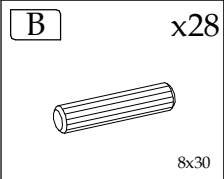
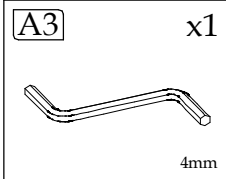
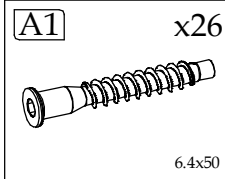
BONITA K



120 min

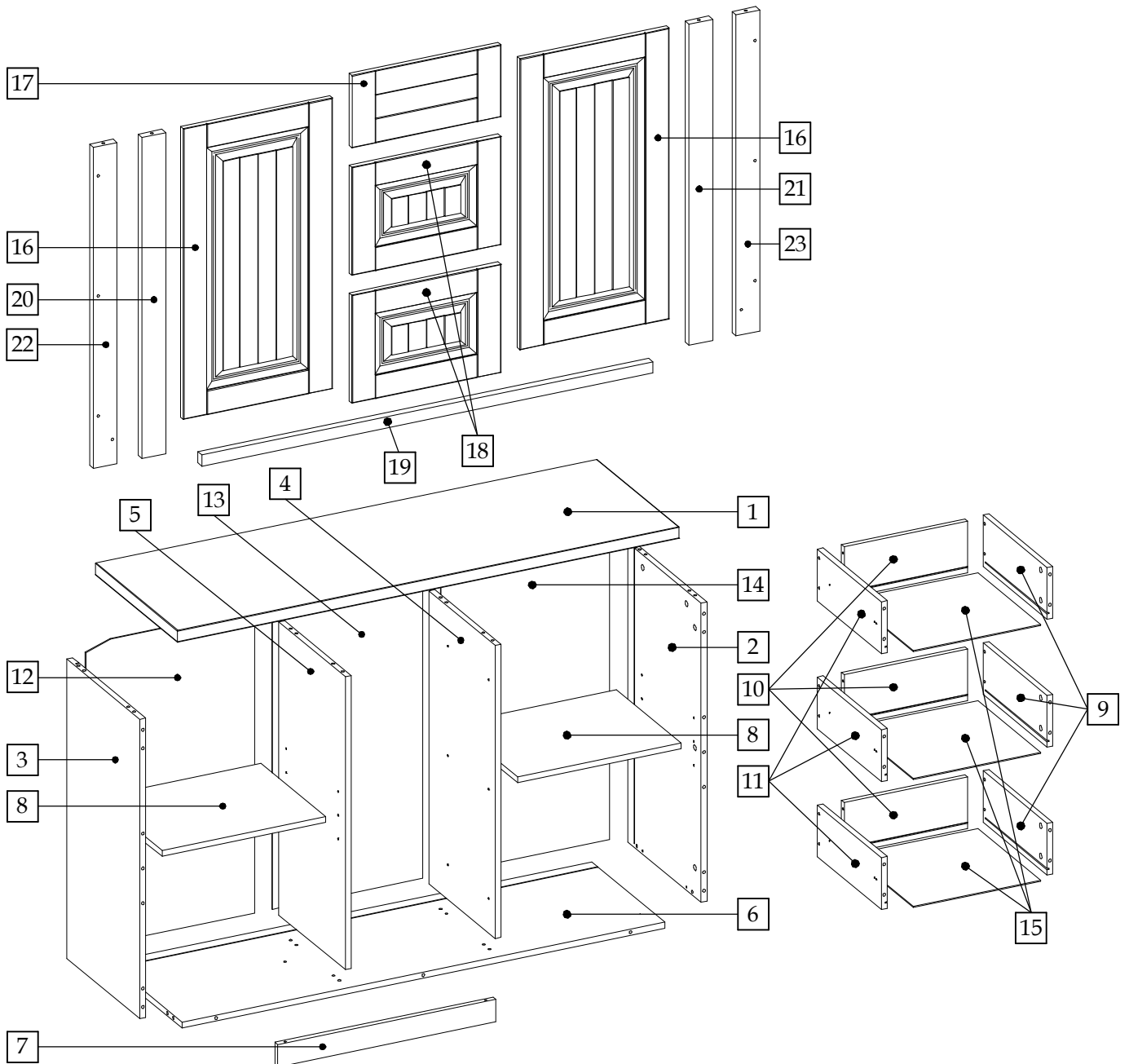


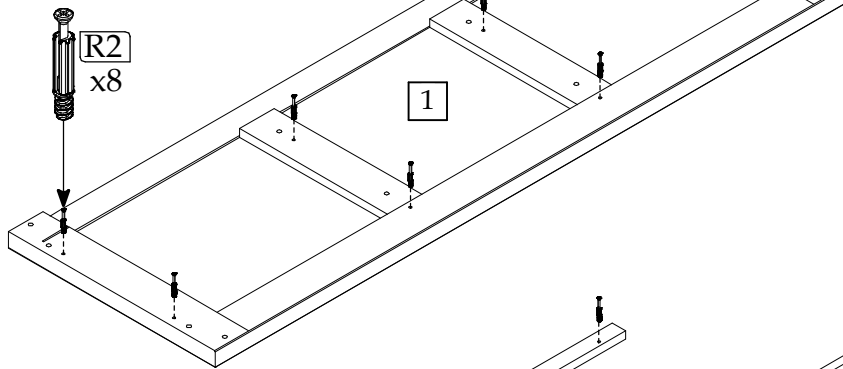
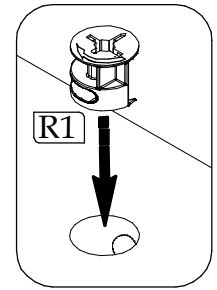
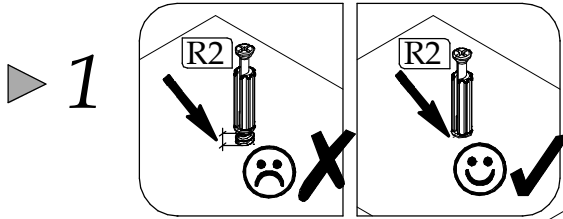
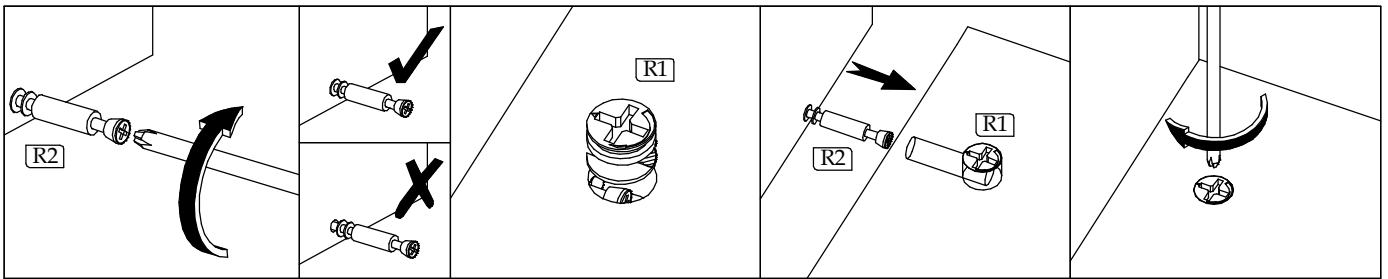




Element symbol	Measurements				Code	Pack
1	1384	450	32	1	2037_v	1/2
2	808	401	16	1	1004	1/2
3	808	401	16	1	1005	1/2
4	791	364	16	1	1009	1/2
5	791	364	16	1	1010	1/2
6	1328	401	16	1	1006	1/2
7	600	60	16	1	1003	1/2
8	449	355	16	2	N/A	1/2
9	350	140	16	3	1012-1017 1022	1/2
10	339	139	16	3	1013-1018 1023	1/2
11	350	140	16	3	1014-1019 1024	1/2
12	821	464	3	1	1051_v	1/2

Element symbol	Measurements				Code	Pack
13	821	413	3	1	1052_v	1/2
14	821	464	3	1	1053_v	1/2
15	349	344	3	3	N/A	1/2
16	787	412	16	2	3001-3002	2/2
17	412	196	16	1	3003	2/2
18	412	294	16	2	3004-3005	2/2
19	1240	30	22	1	P22_1240x30	1/2
20	867	65	22	2	P22_867x65_01	1/2
21	867	65	22	2	P22_867x65_02	1/2
22	867	65	22	2	P22_867x65_03	1/2
23	867	65	22	2	P22_867x65_04	1/2





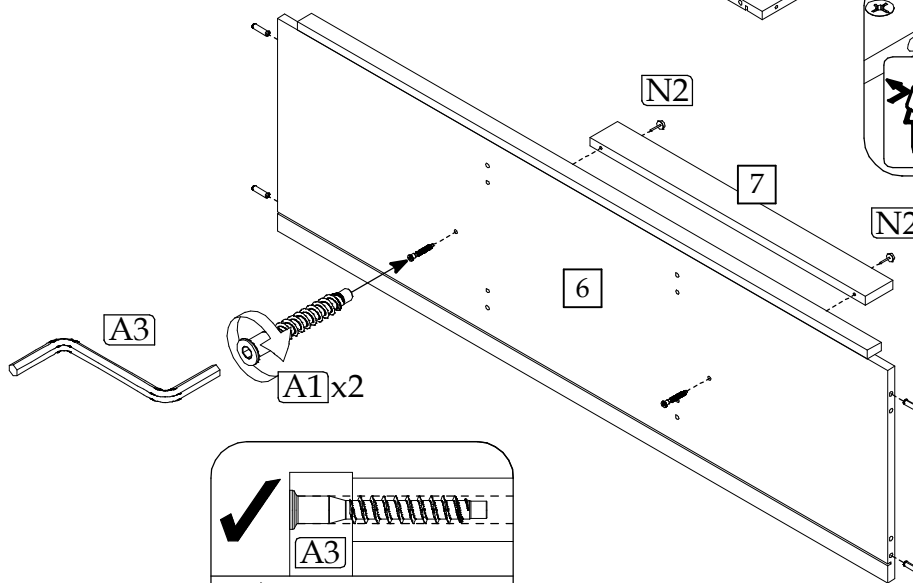
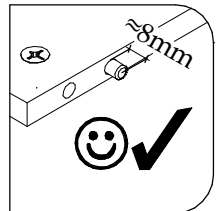
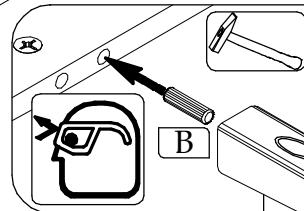
R1 x7

R2 x3

19

19

6



A3

A1 x2

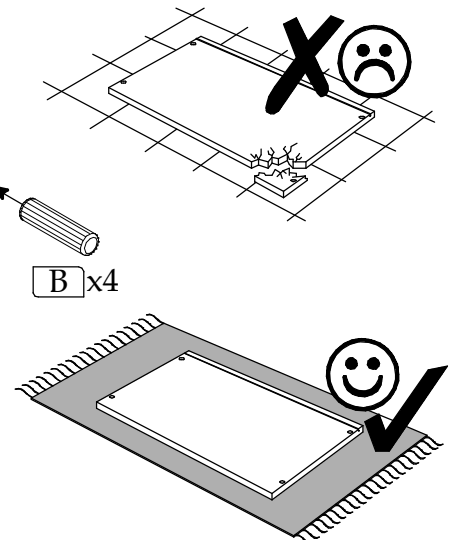
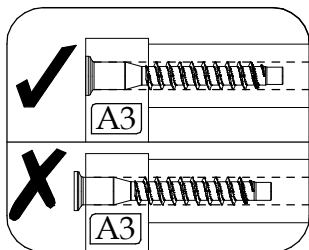
N2

7

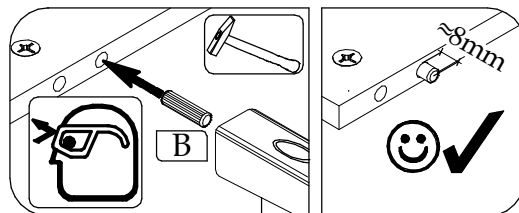
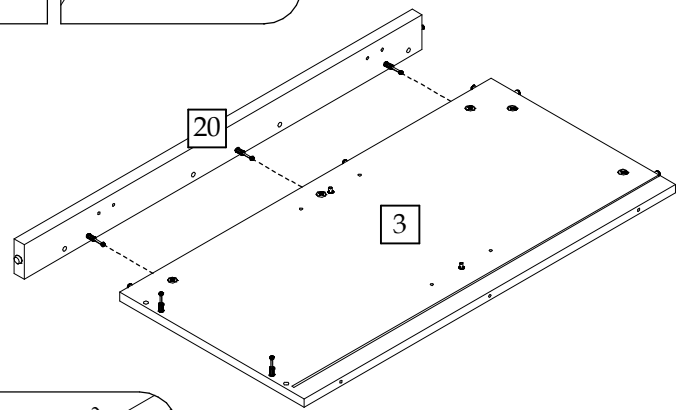
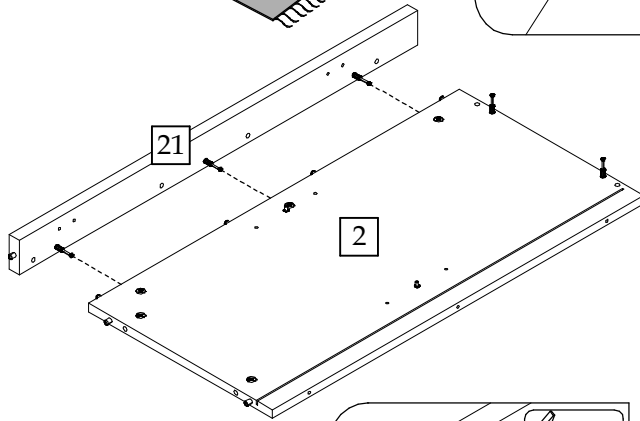
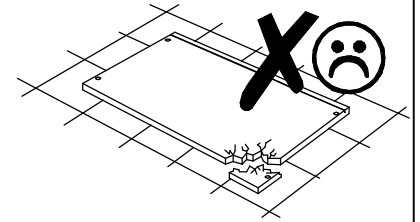
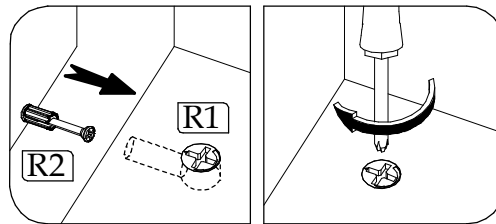
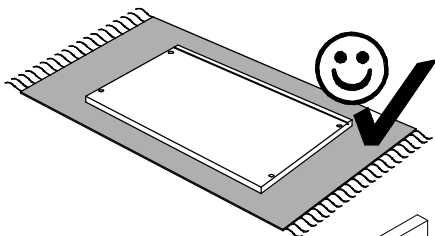
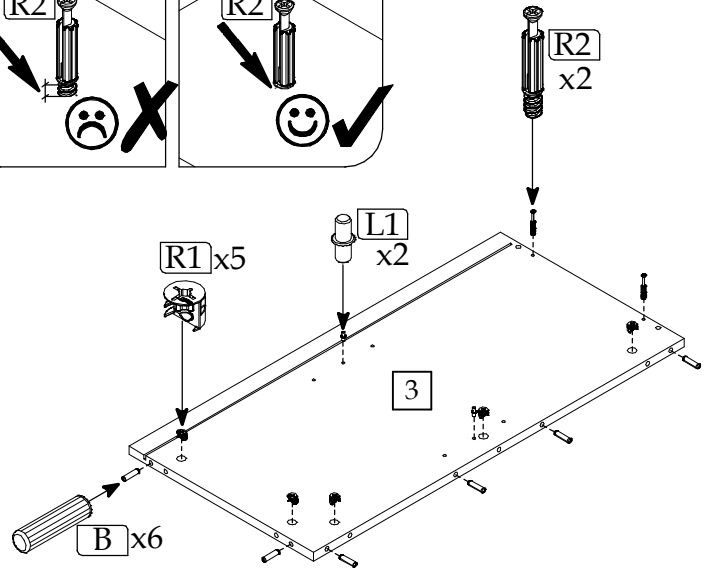
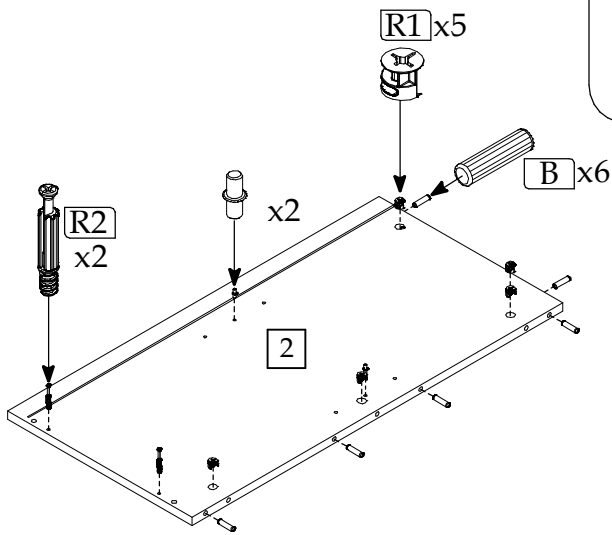
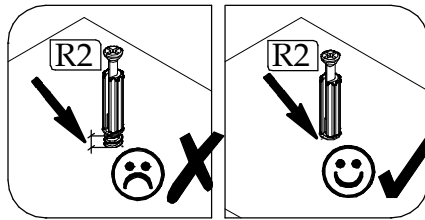
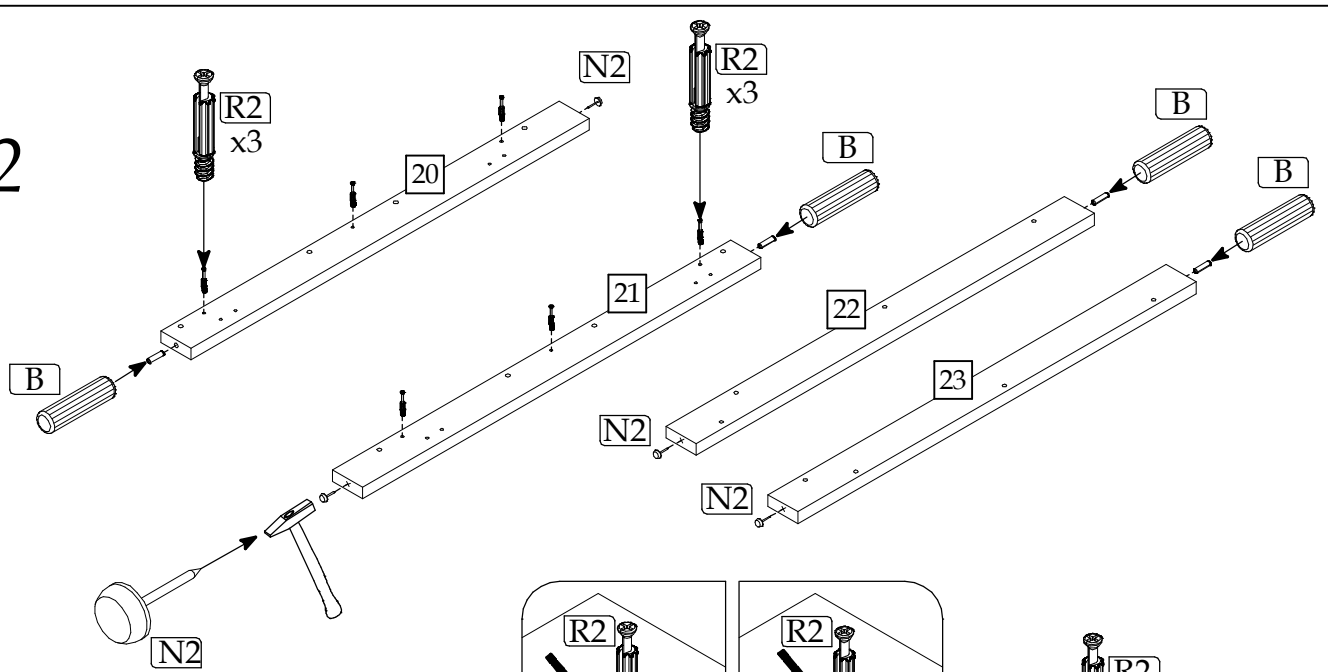
N2

6

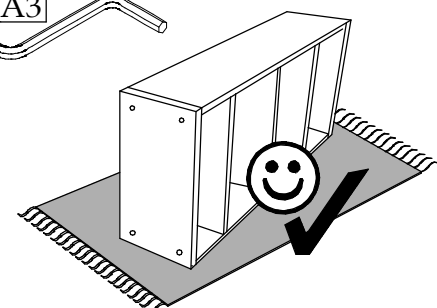
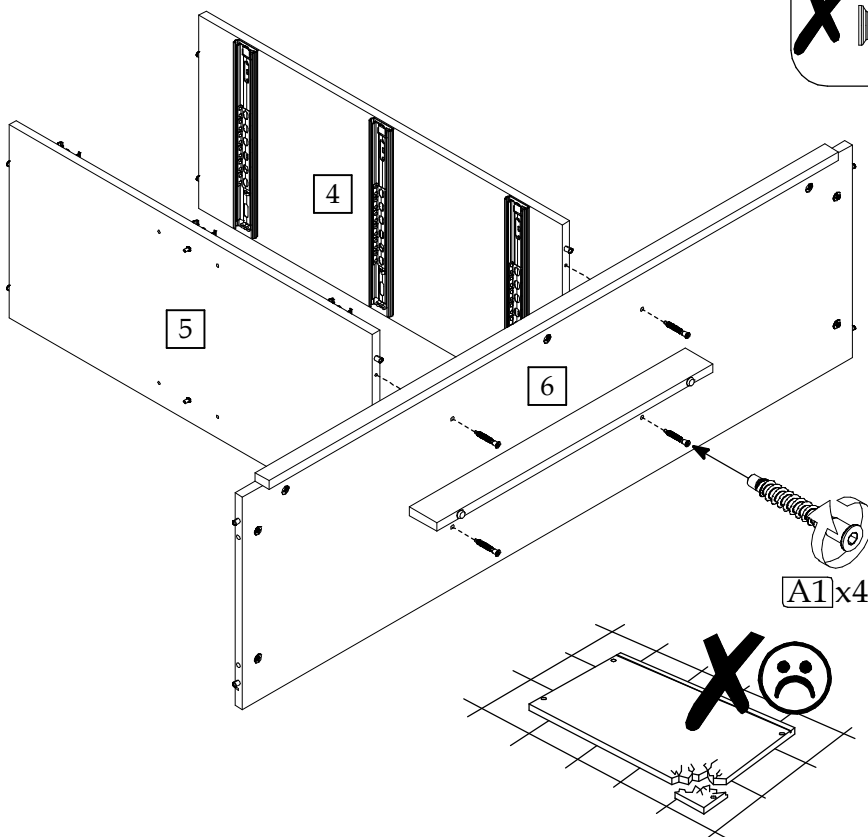
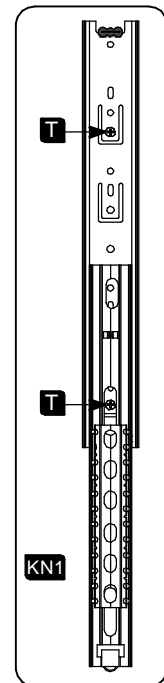
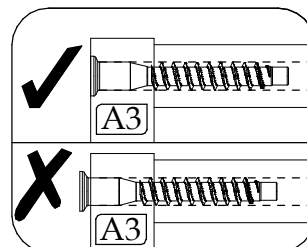
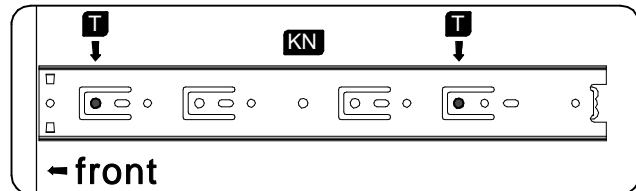
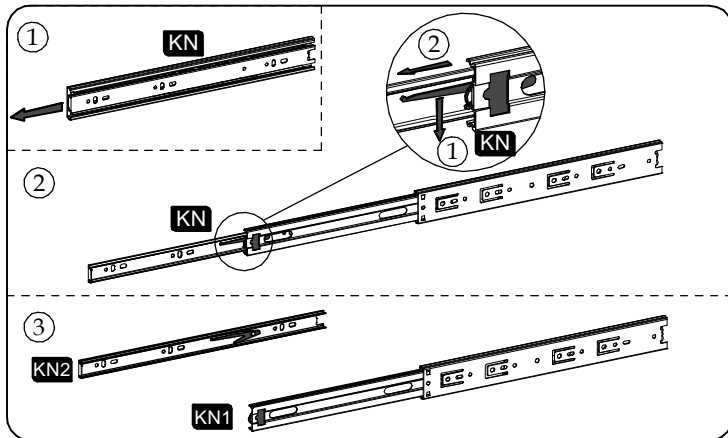
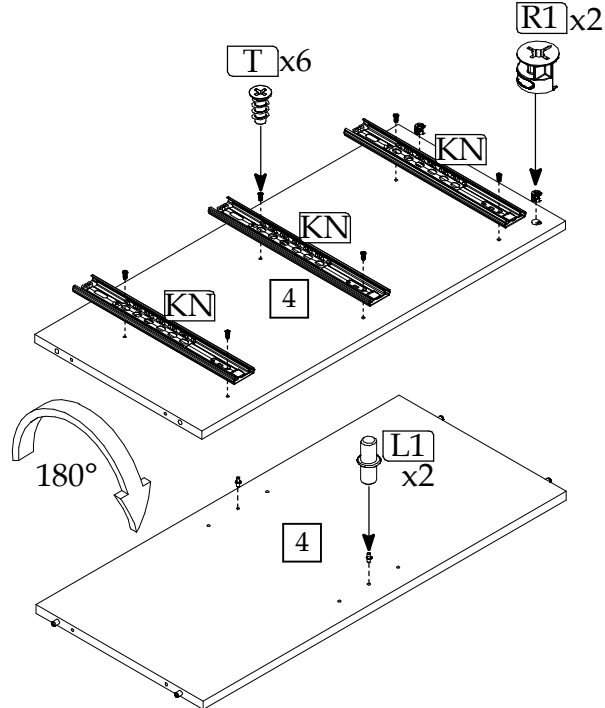
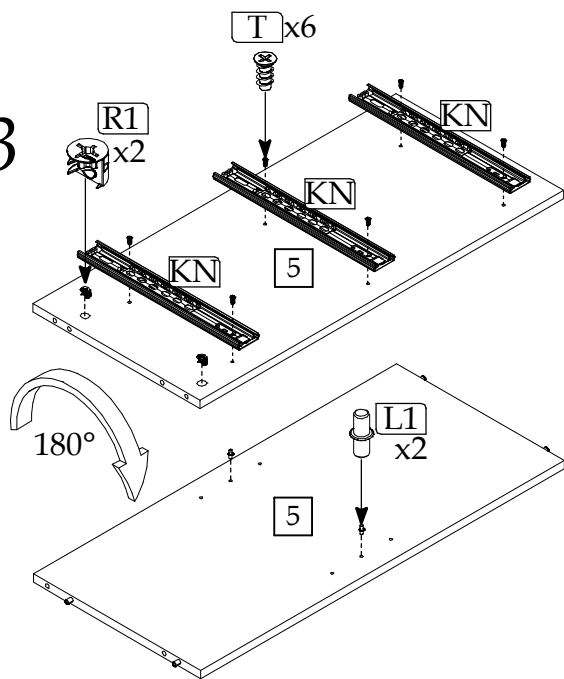
B x4



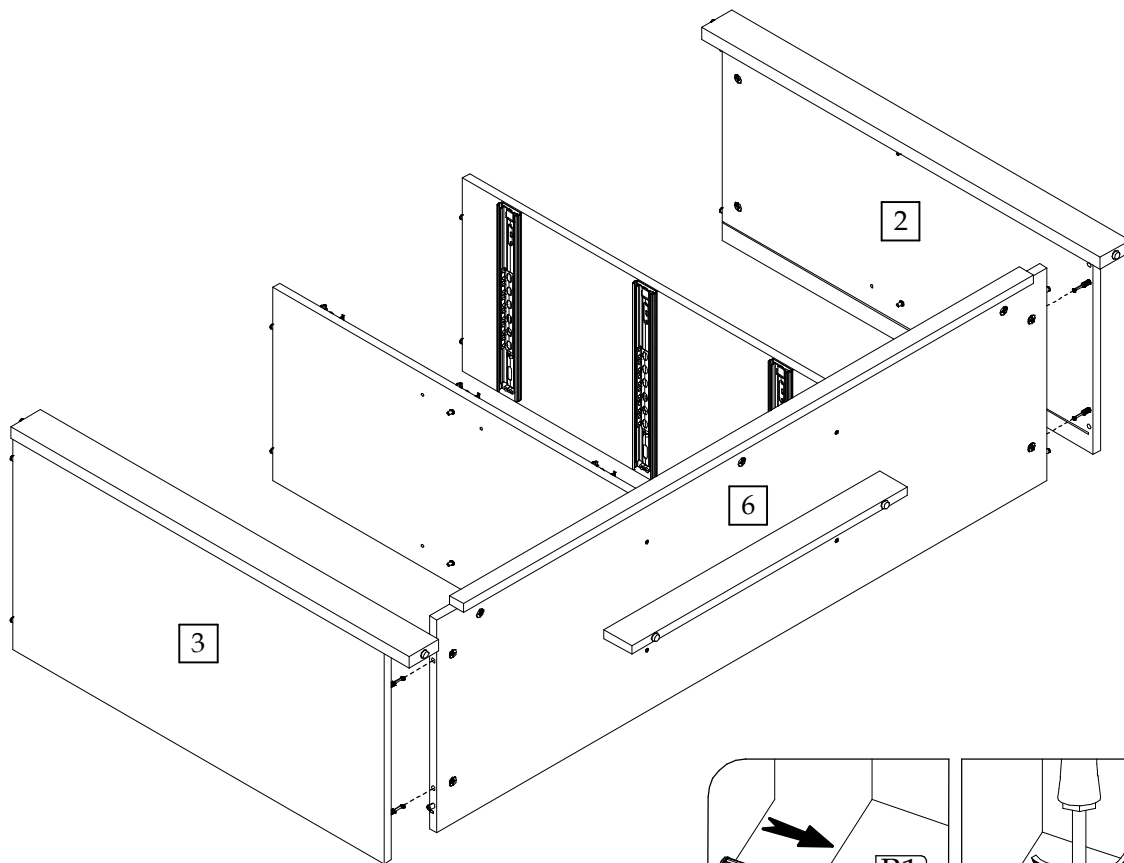
▶ 2



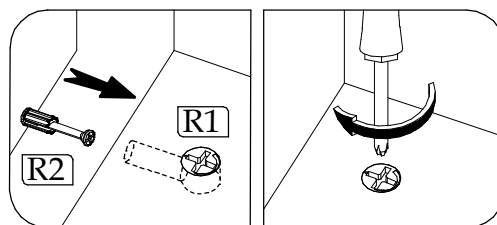
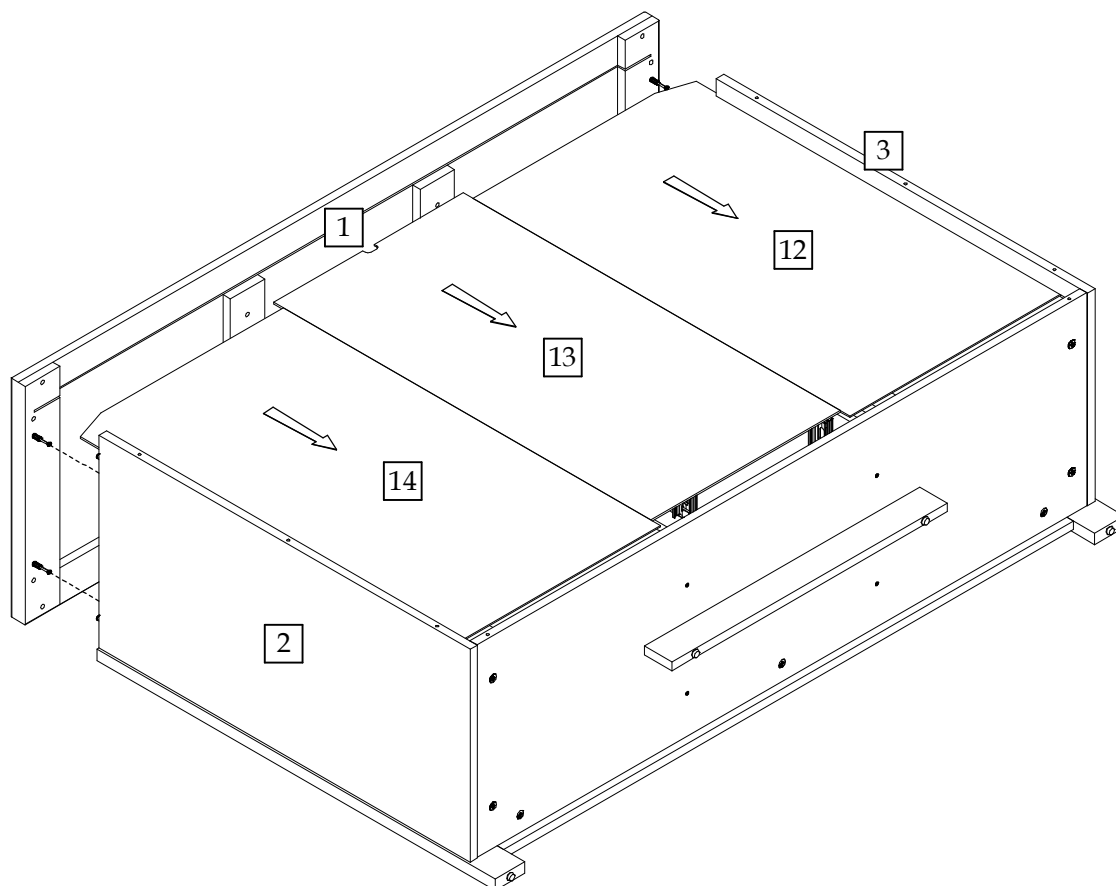
▶ 3



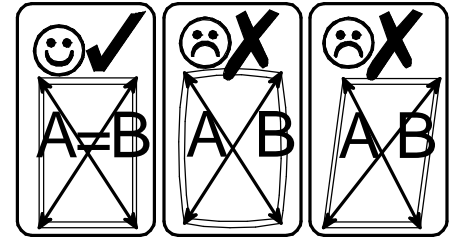
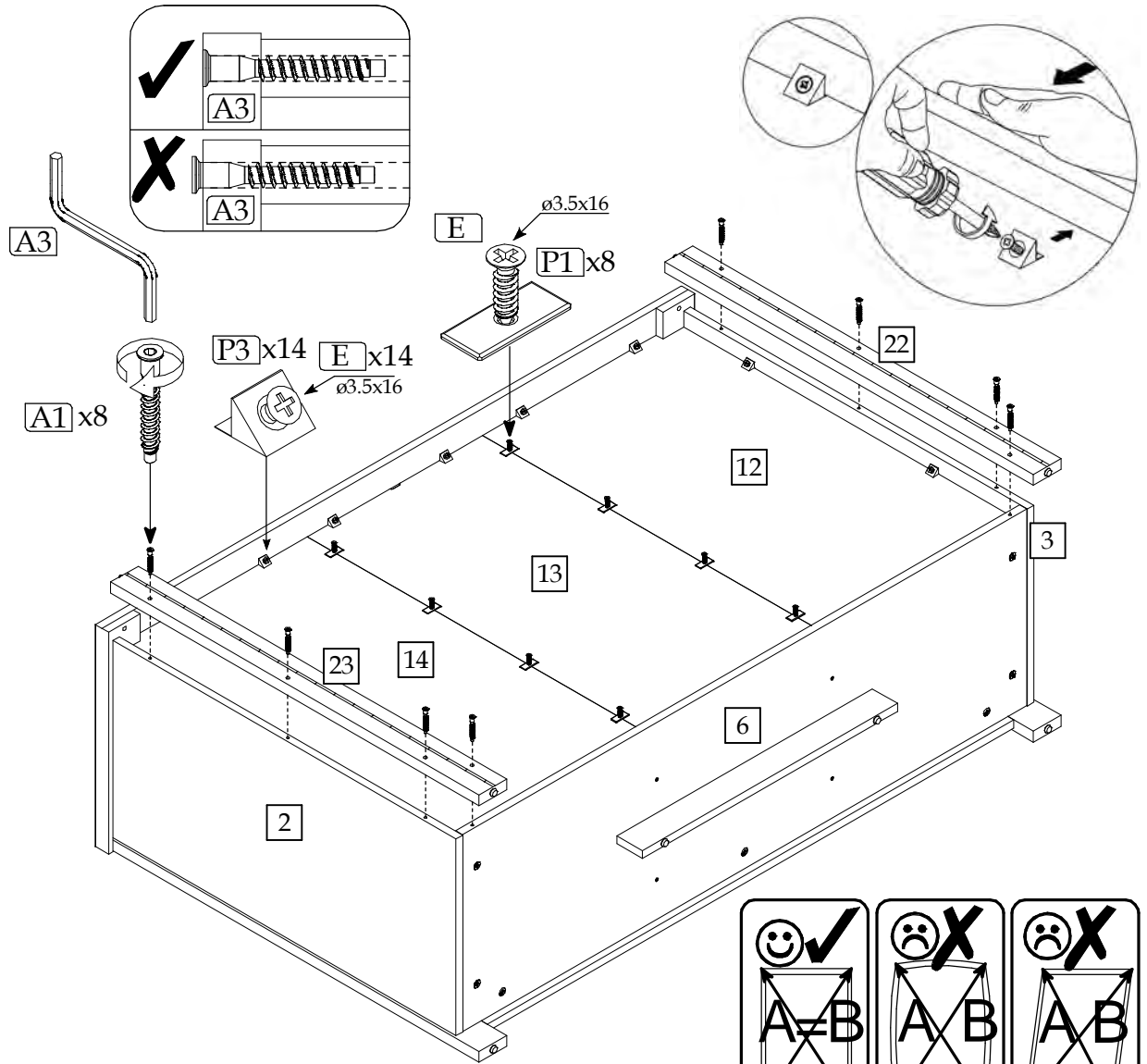
▶ 4



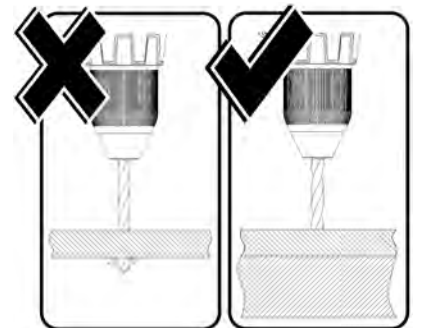
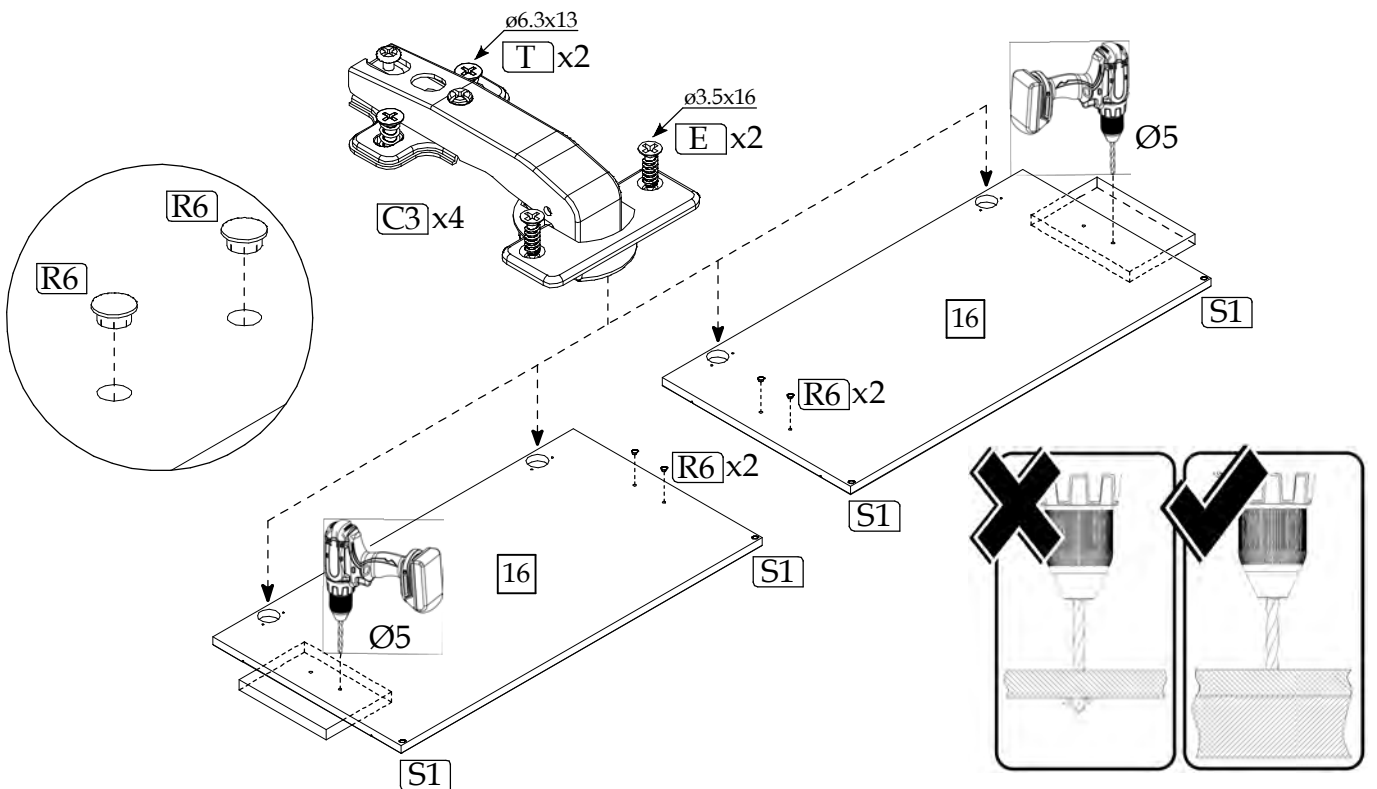
▶ 5



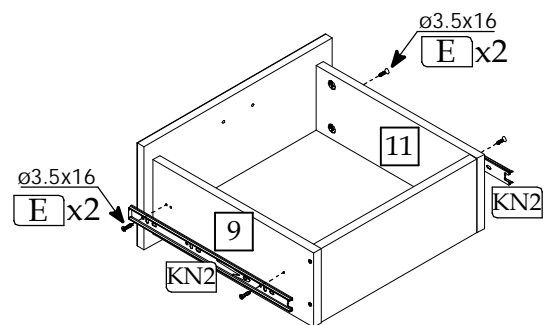
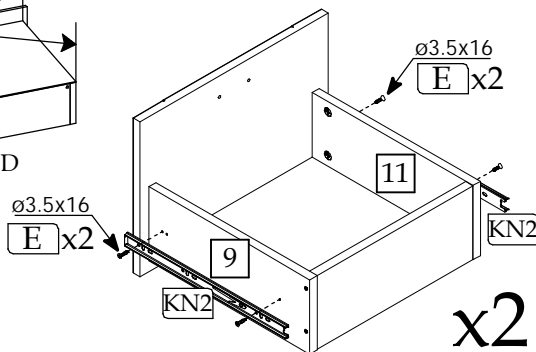
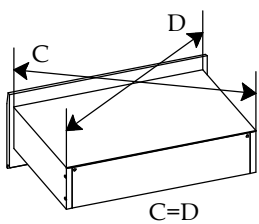
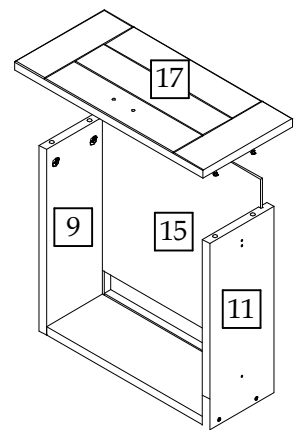
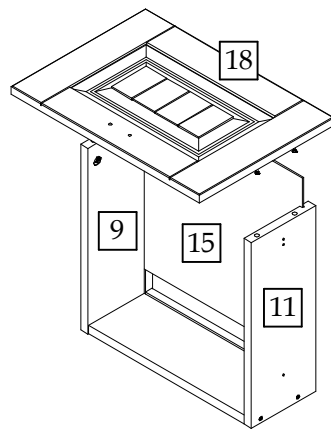
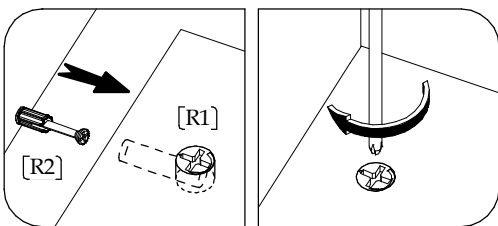
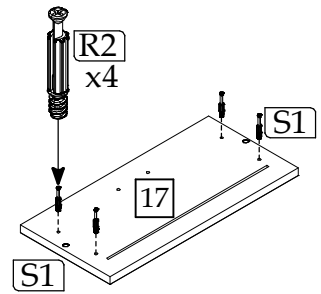
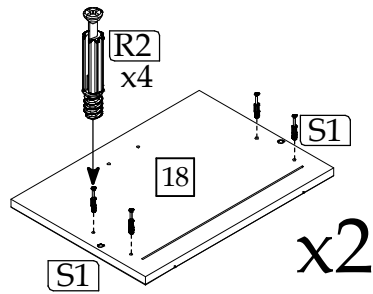
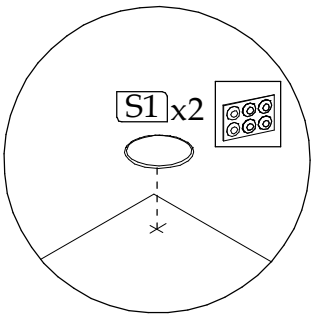
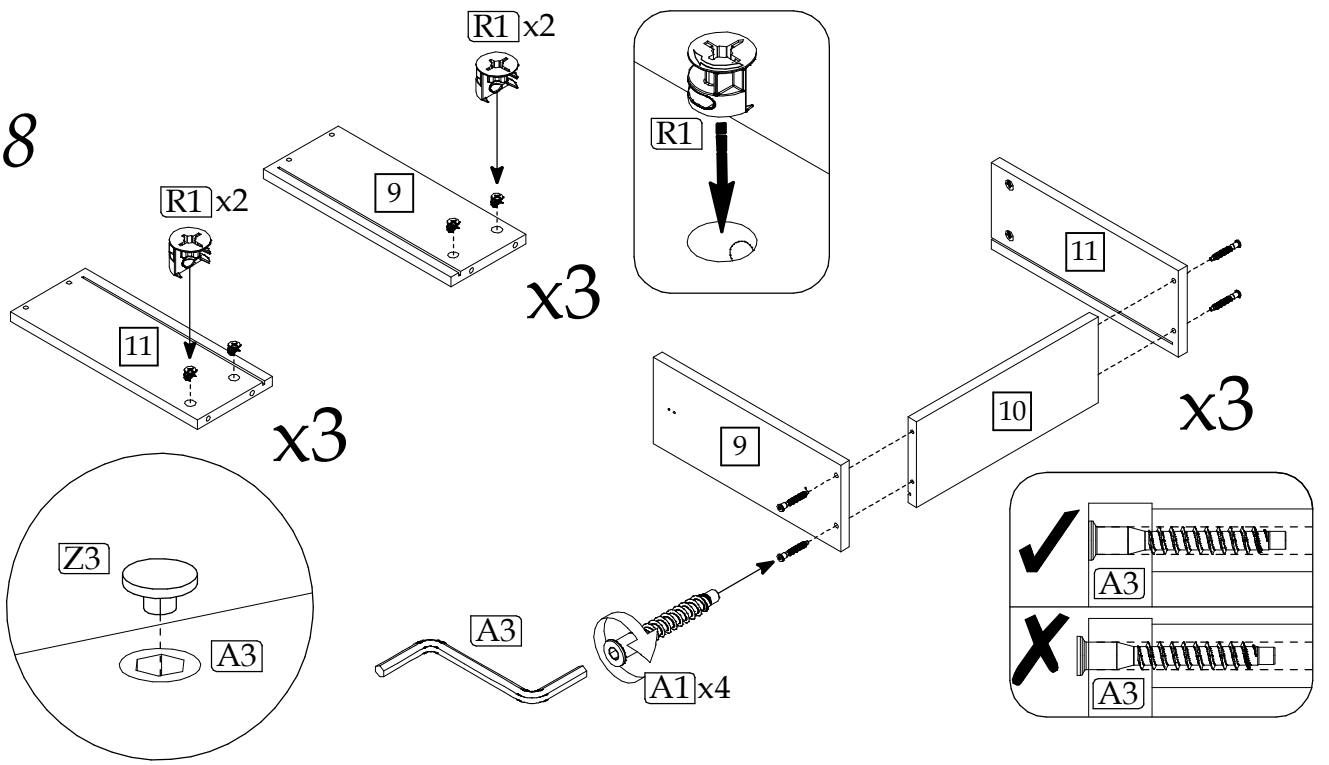
▶ 6



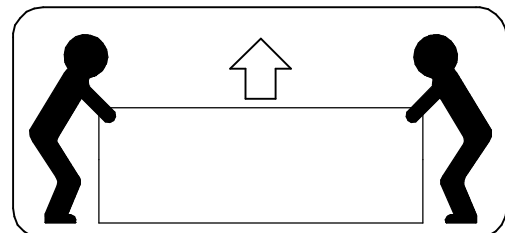
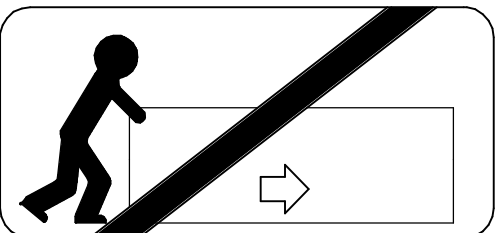
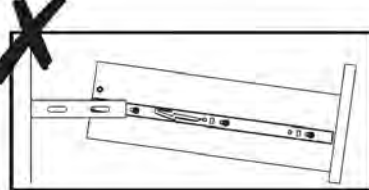
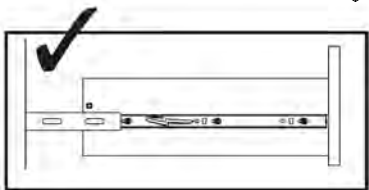
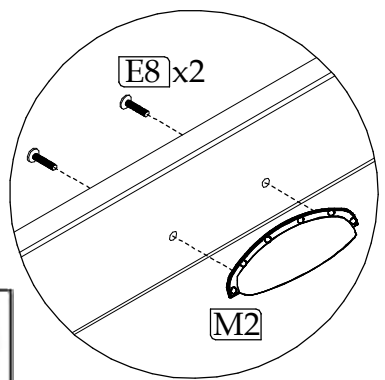
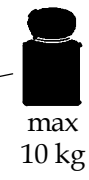
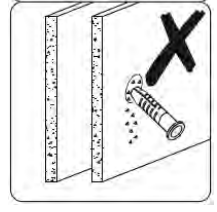
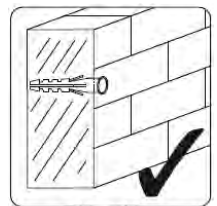
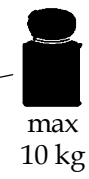
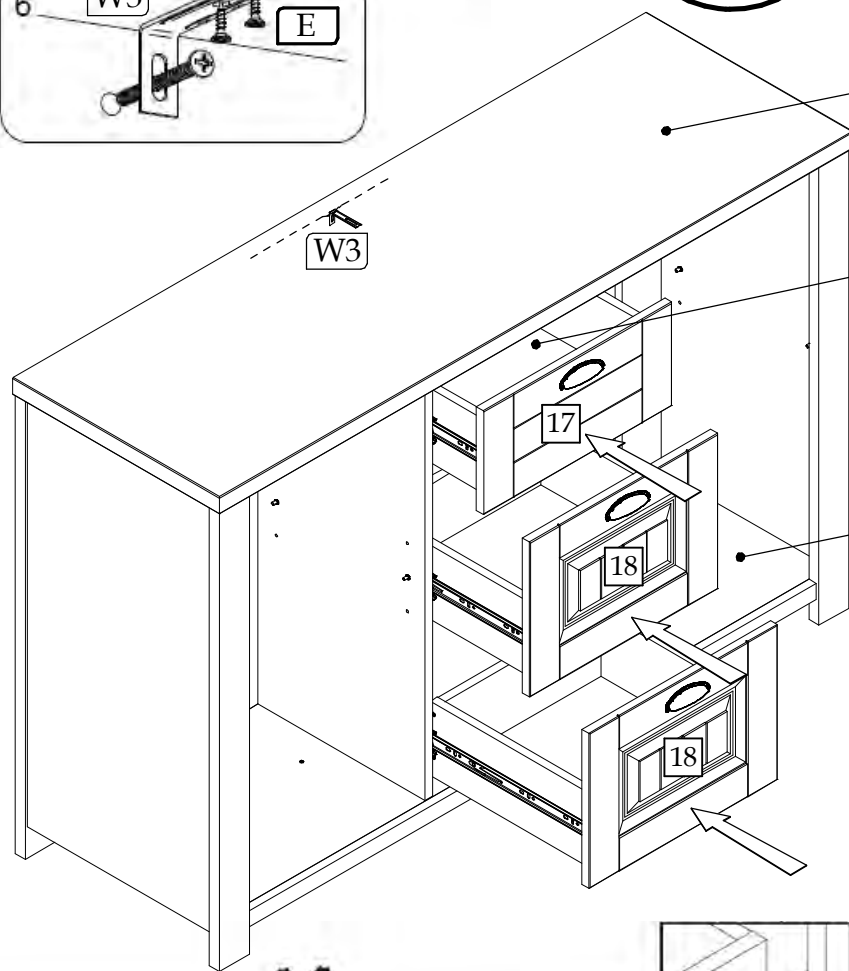
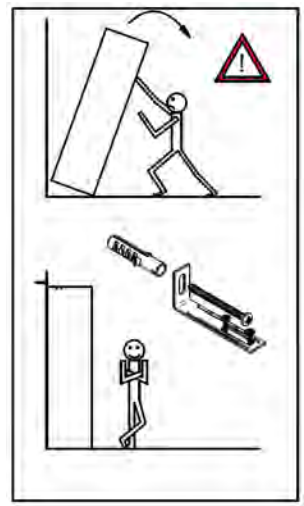
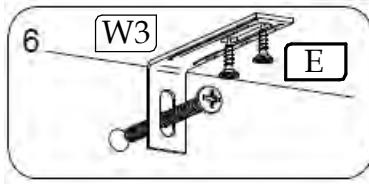
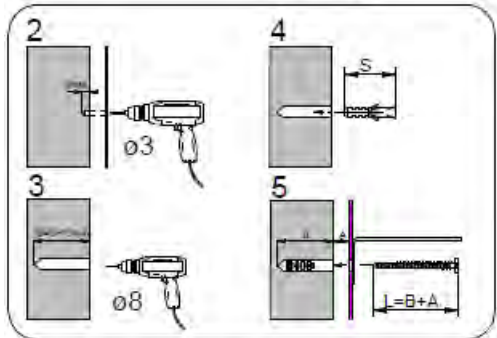
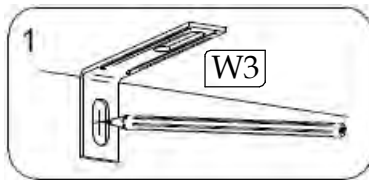
▶ 7



8



▶ 9



► 10

