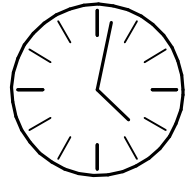
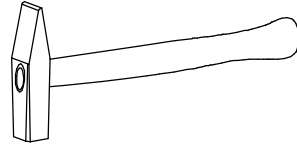
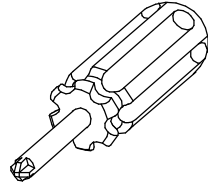
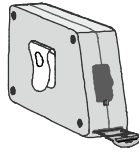
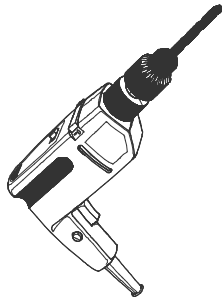
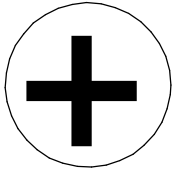
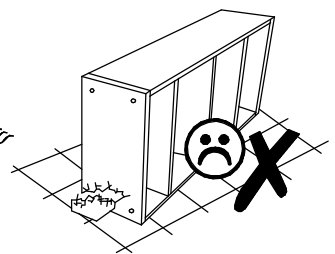
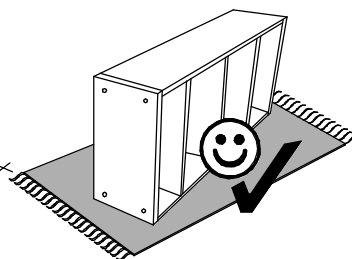
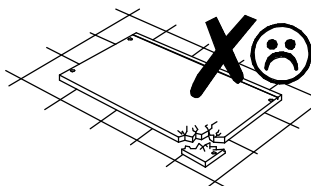
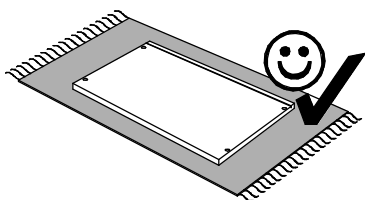
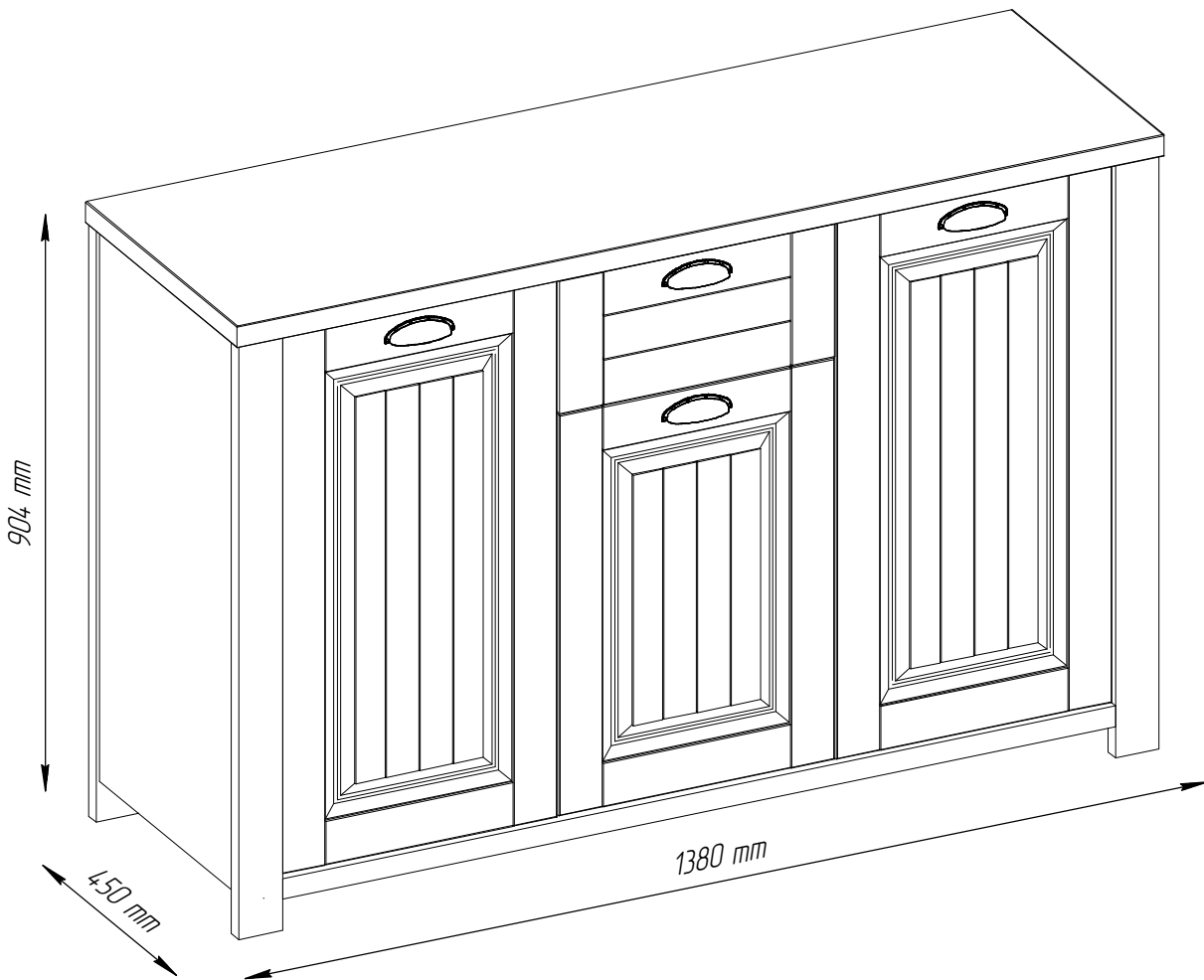
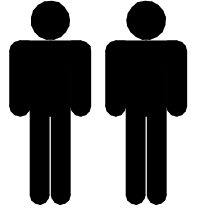
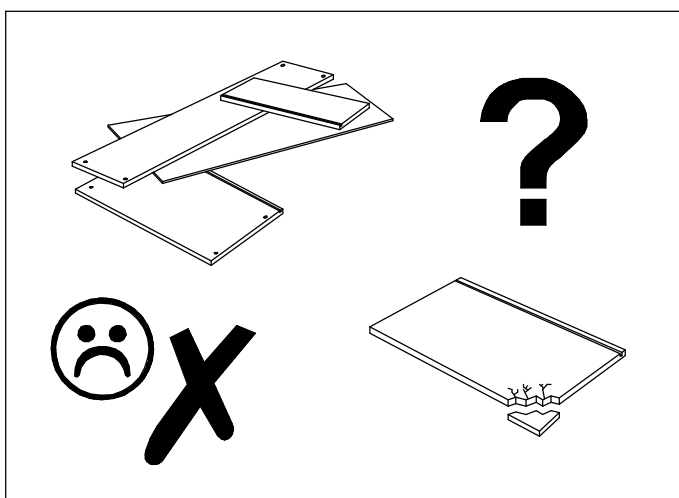
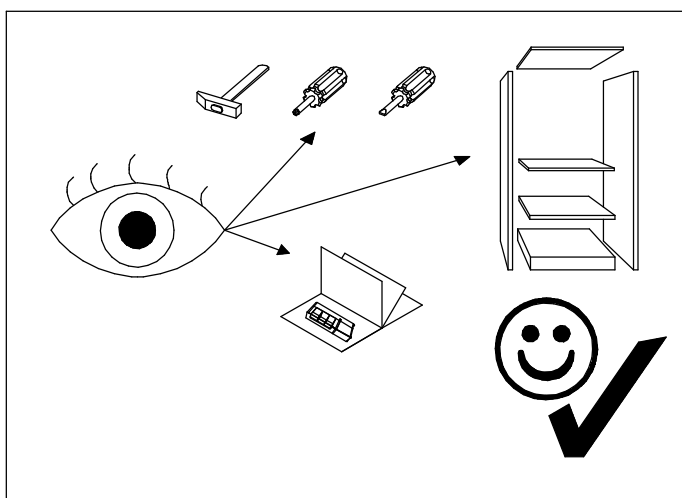
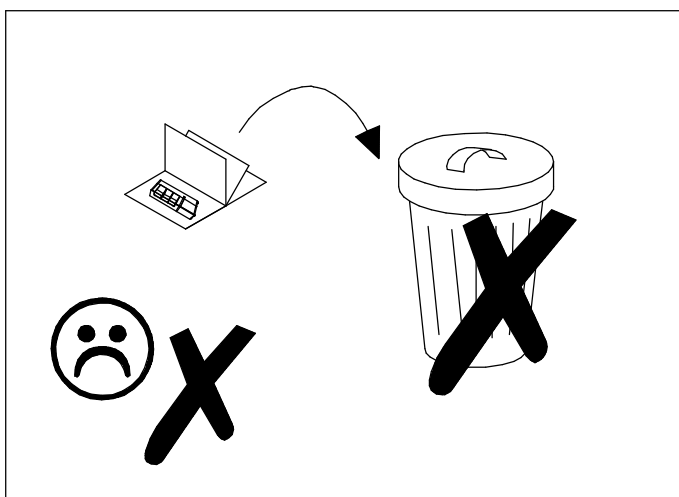
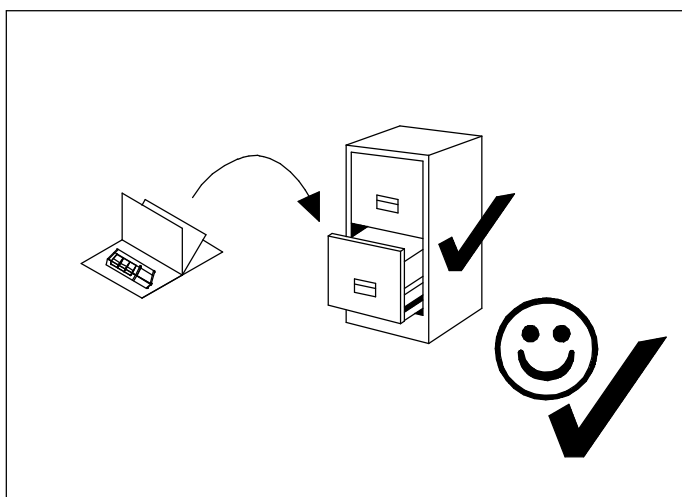
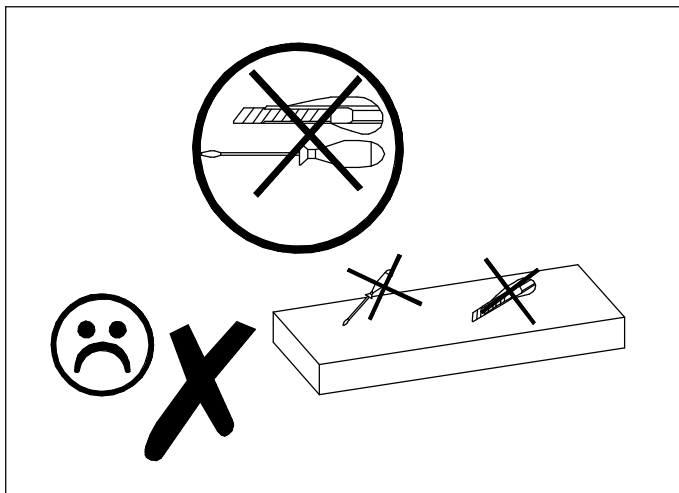
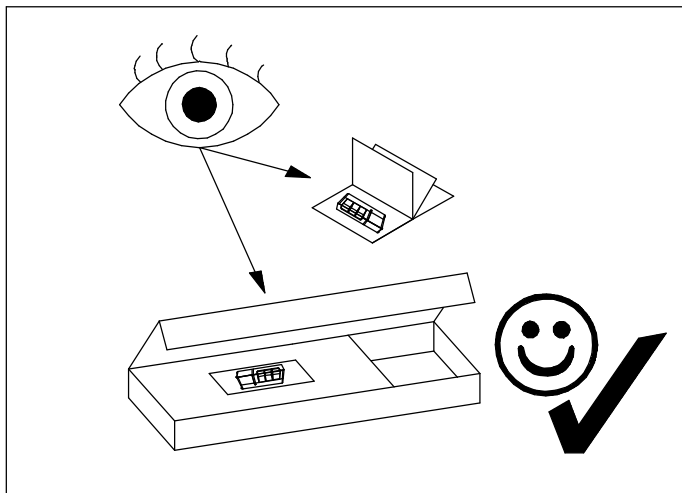


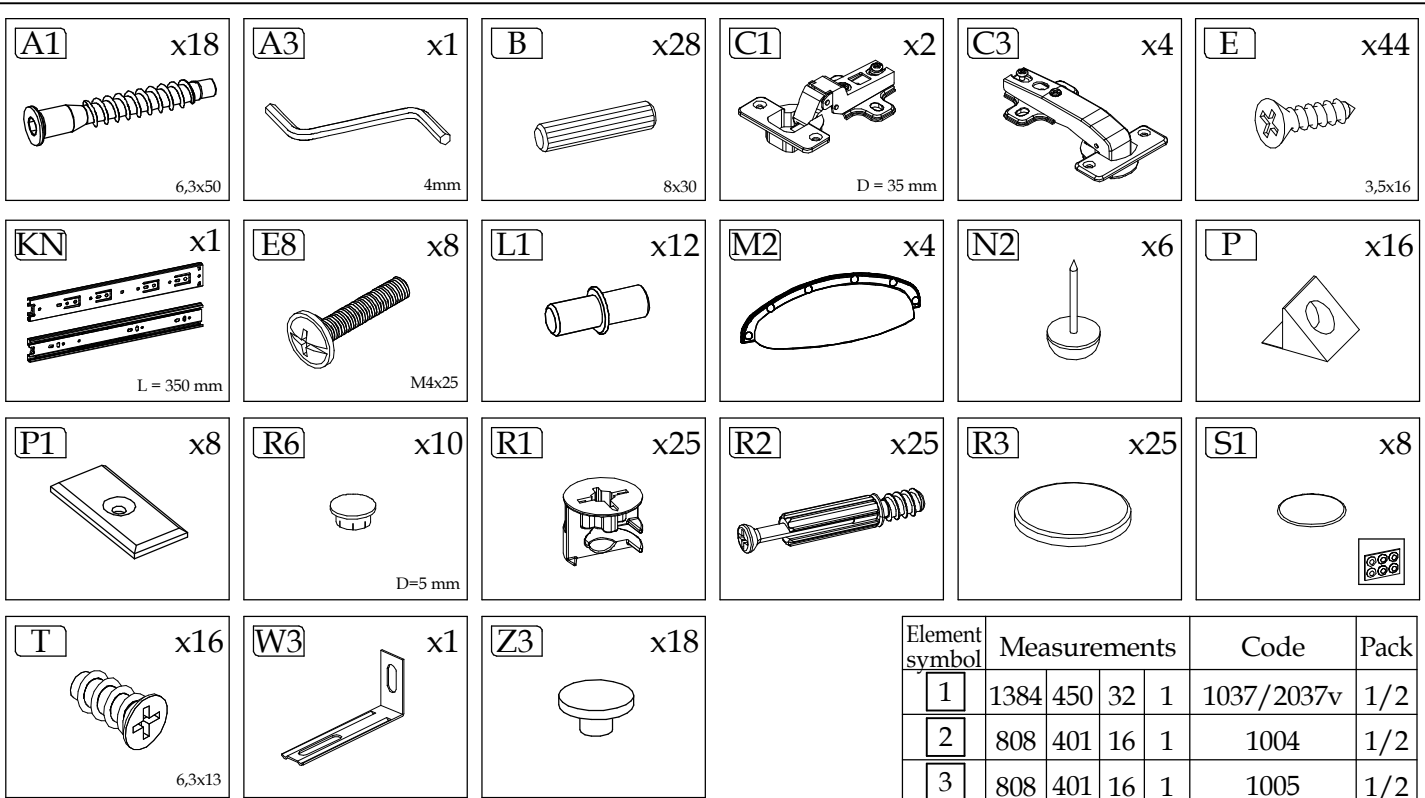
BONITA E



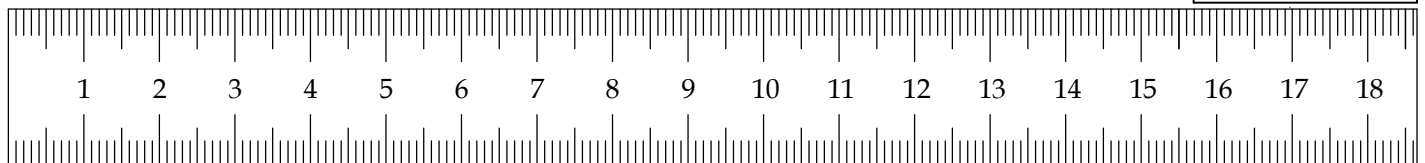
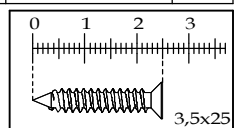
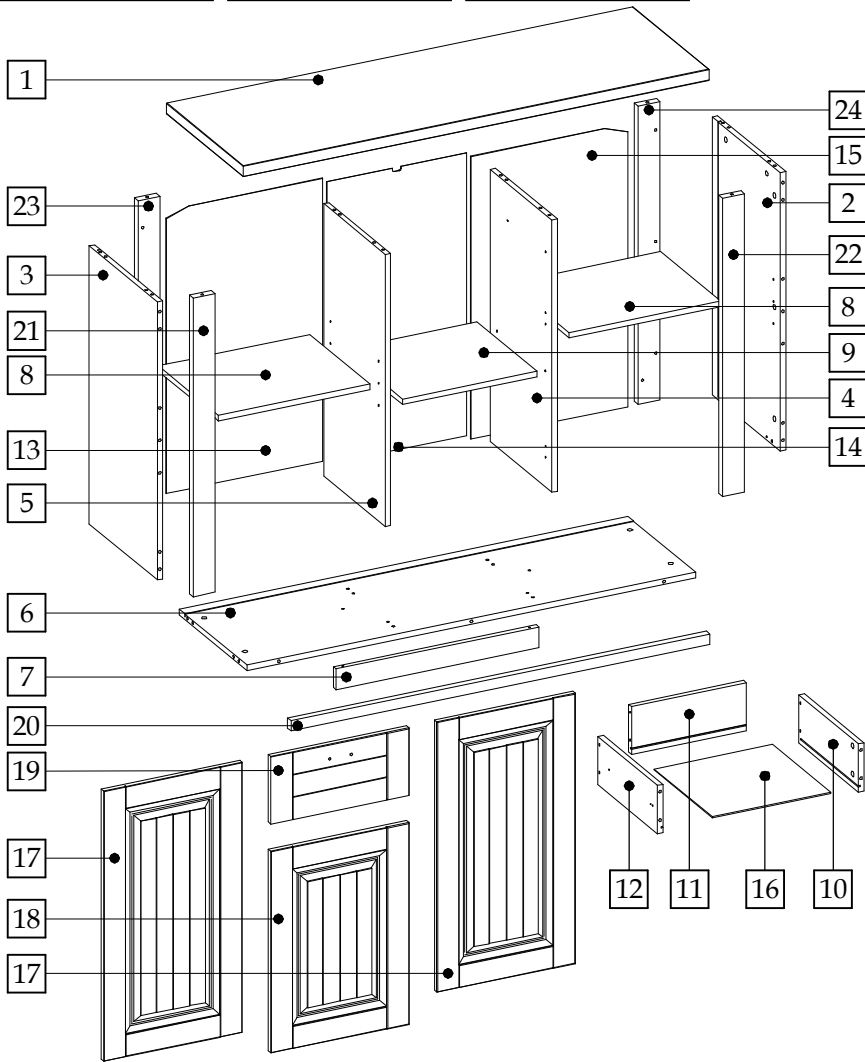
100 min



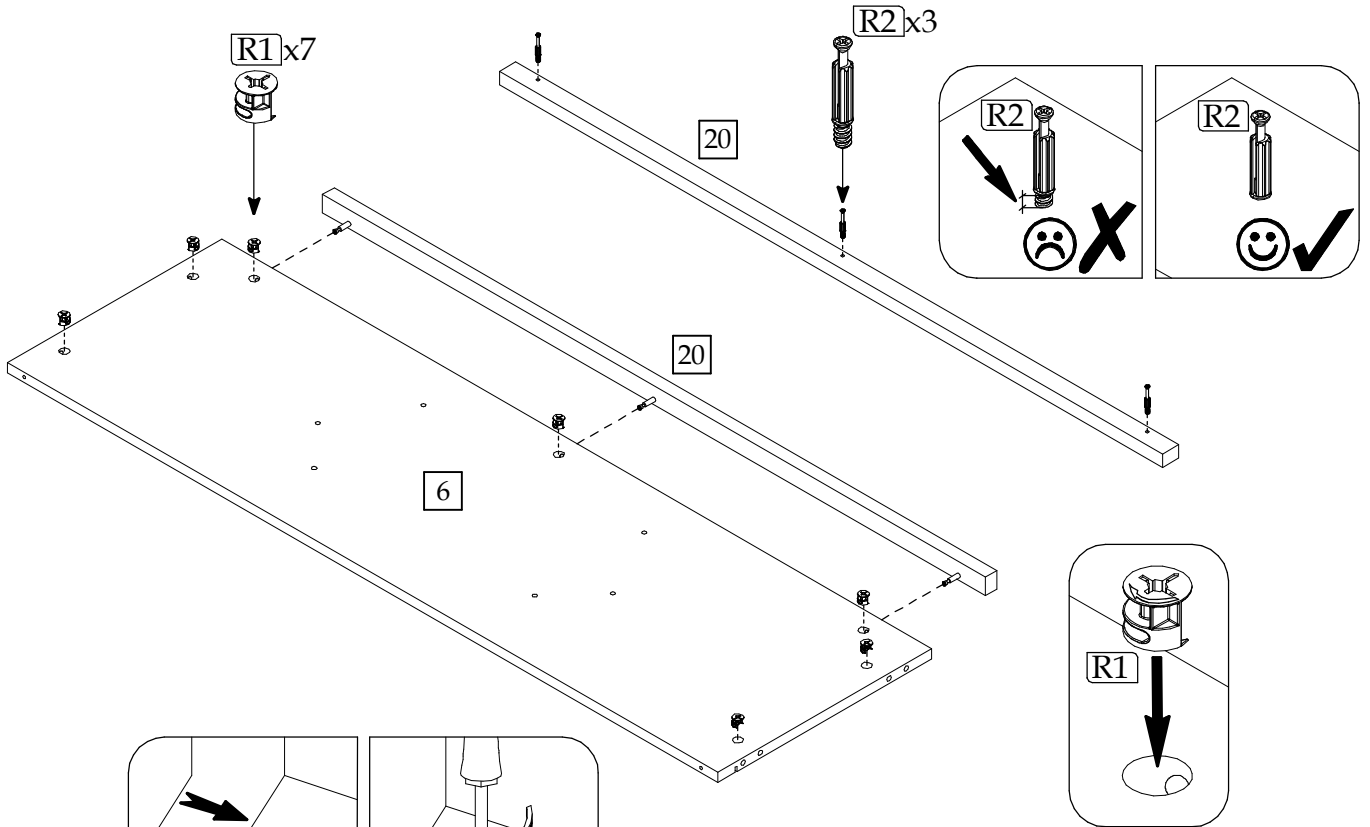




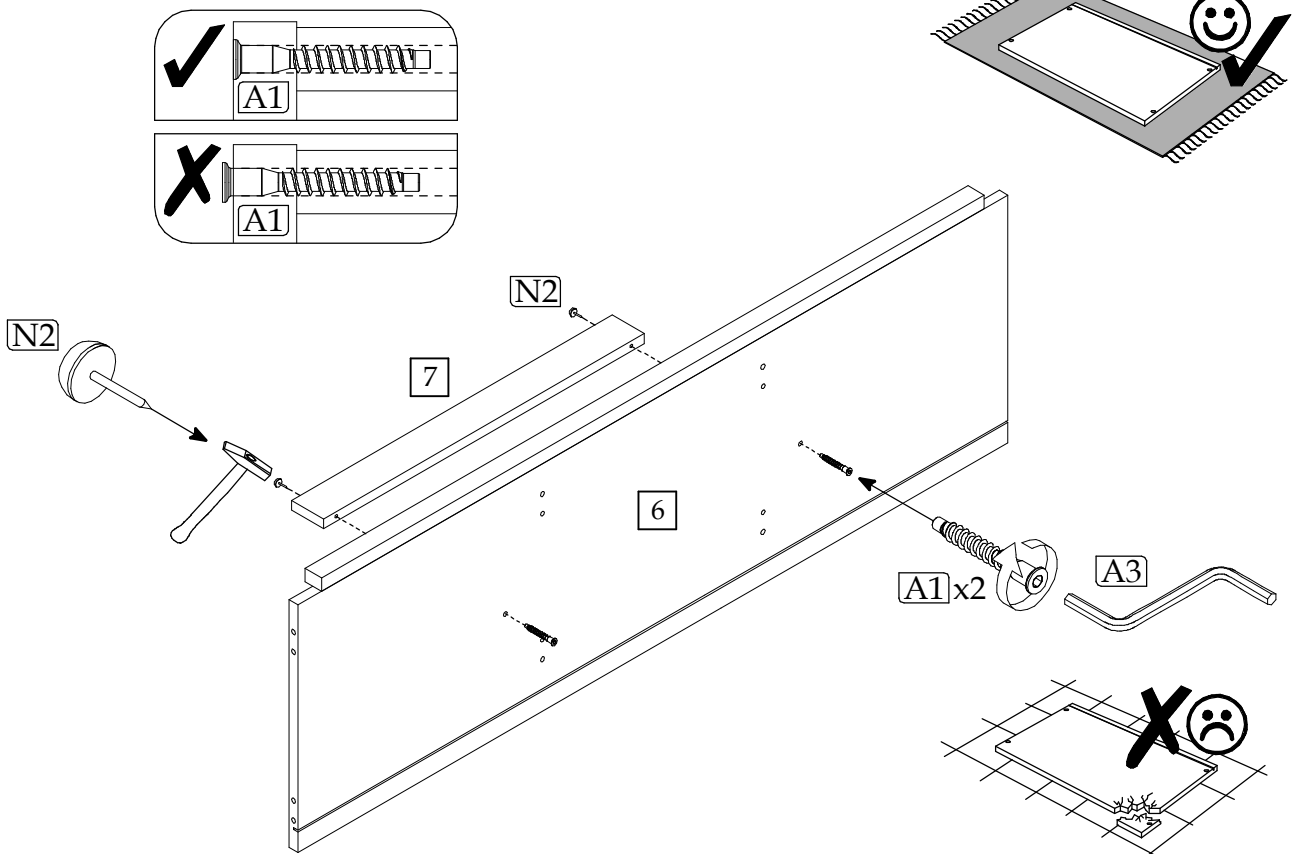
Element symbol	Measurements				Code	Pack
	1	2	3	4		
1	1384	450	32	1	1037/2037v	1/2
2	808	401	16	1	1004	1/2
3	808	401	16	1	1005	1/2
4	791	364	16	1	1009	1/2
5	791	364	16	1	1010	1/2
6	1328	401	16	1	1006/2006	1/2
7	600	60	16	1	1003	1/2
8	449,5	355	16	2	N/A	1/2
9	397	355	16	1	N/A	1/2
10	350,5	140	16	1	1013/2013	1/2
11	339,5	139	16	1	1014	1/2
12	350,5	140	16	1	1015/2015	1/2
13	821	464	3	1	1051v	1/2
14	821	413	3	1	1052v	1/2
15	821	464	3	1	1053v	1/2
16	349,5	344	3	1	N/A	1/2
17	787	412	16	2	3031/3032	2/2
18	588	411	16	1	1005v/3003	2/2
19	412	196	16	1	1002v/3004	2/2
20	1249	30	22	1	P22_1240x30	1/2
21	867	65	22	1	P22_867x65_1	1/2
22	867	65	22	1	P22_867x65_2	1/2
23	867	65	22	1	P22_867x65_3	1/2
24	867	65	22	1	P22_867x65_4	1/2



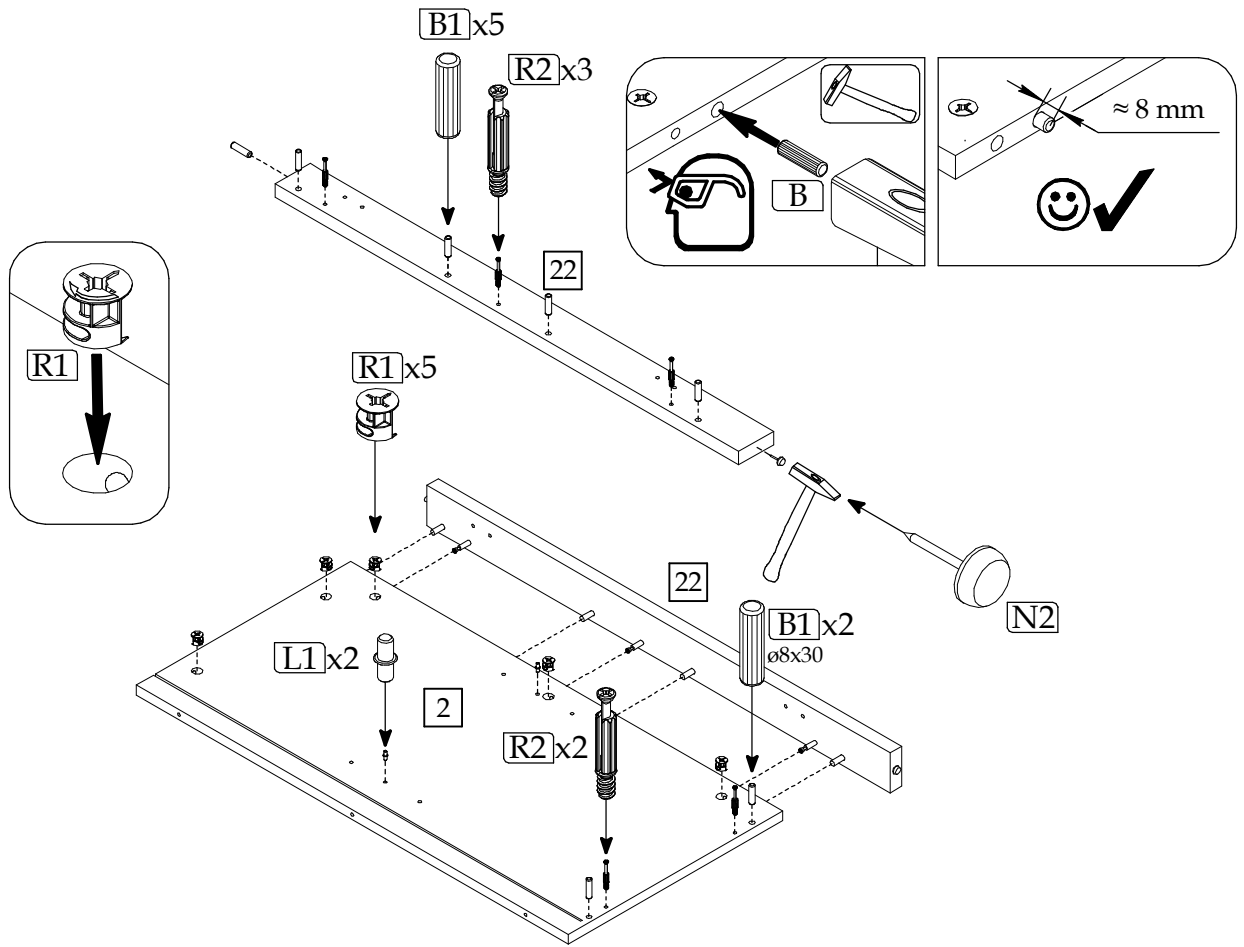
▶ 1



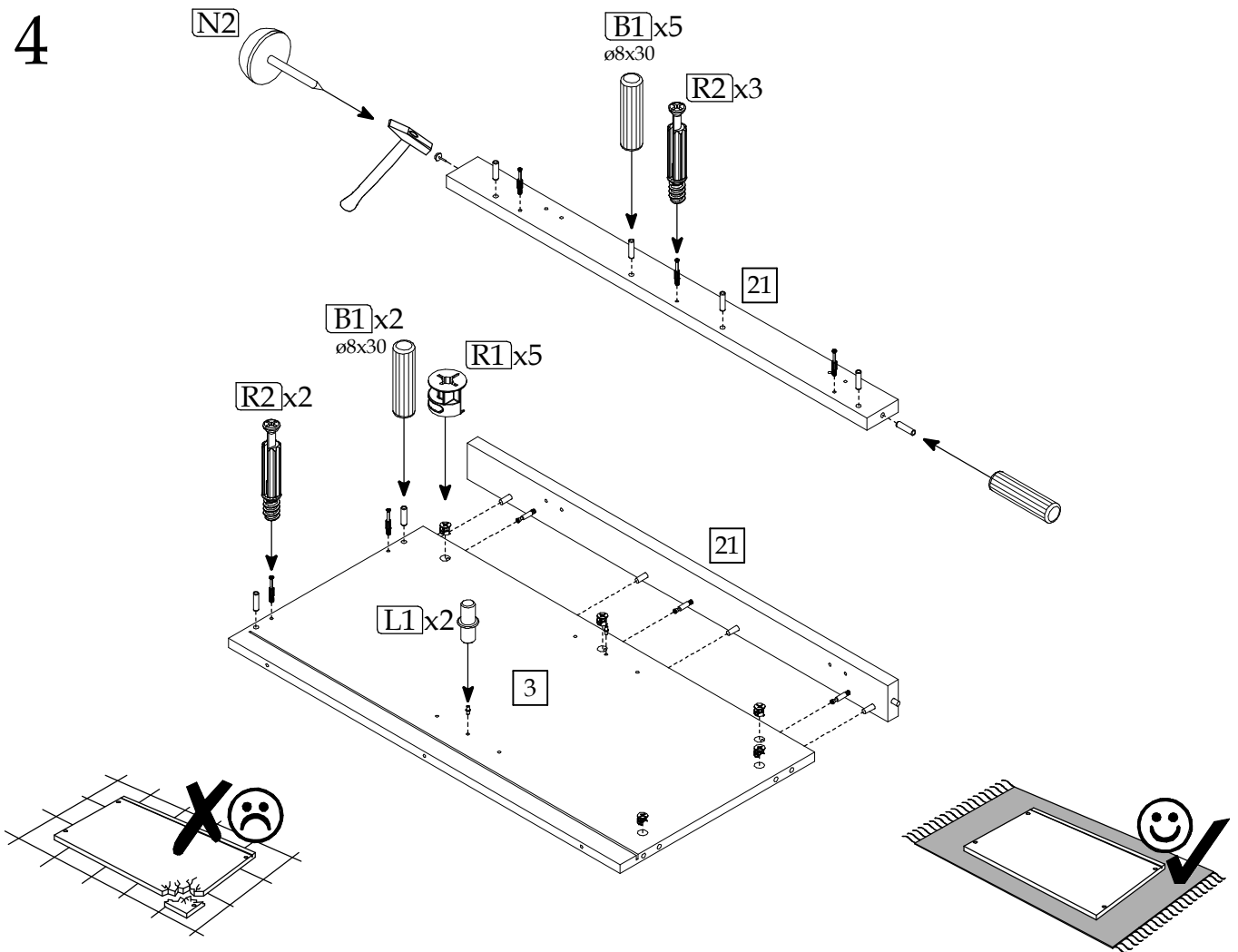
▶ 2

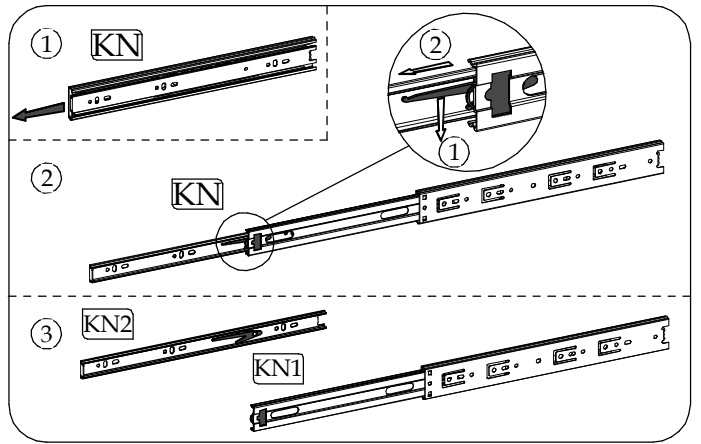
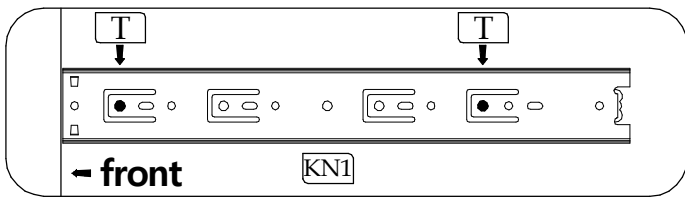


▶ 3

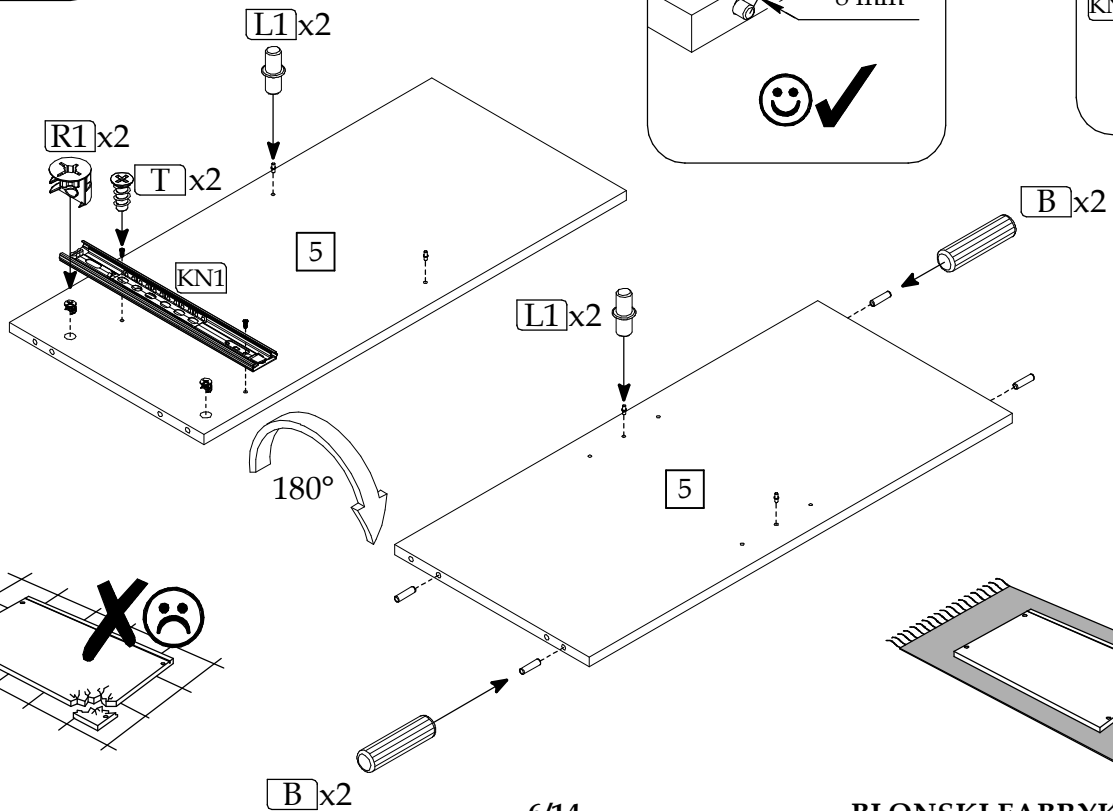
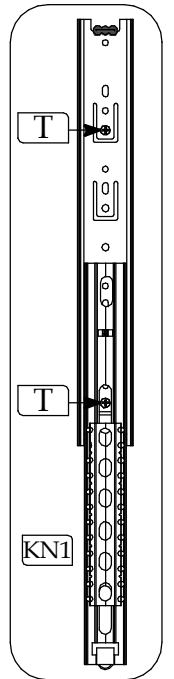
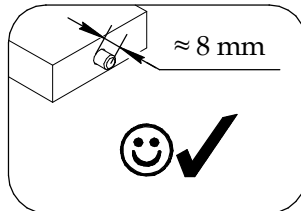
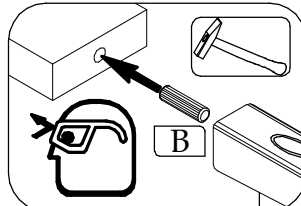
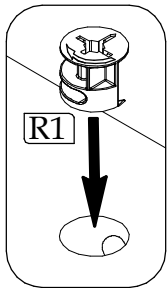
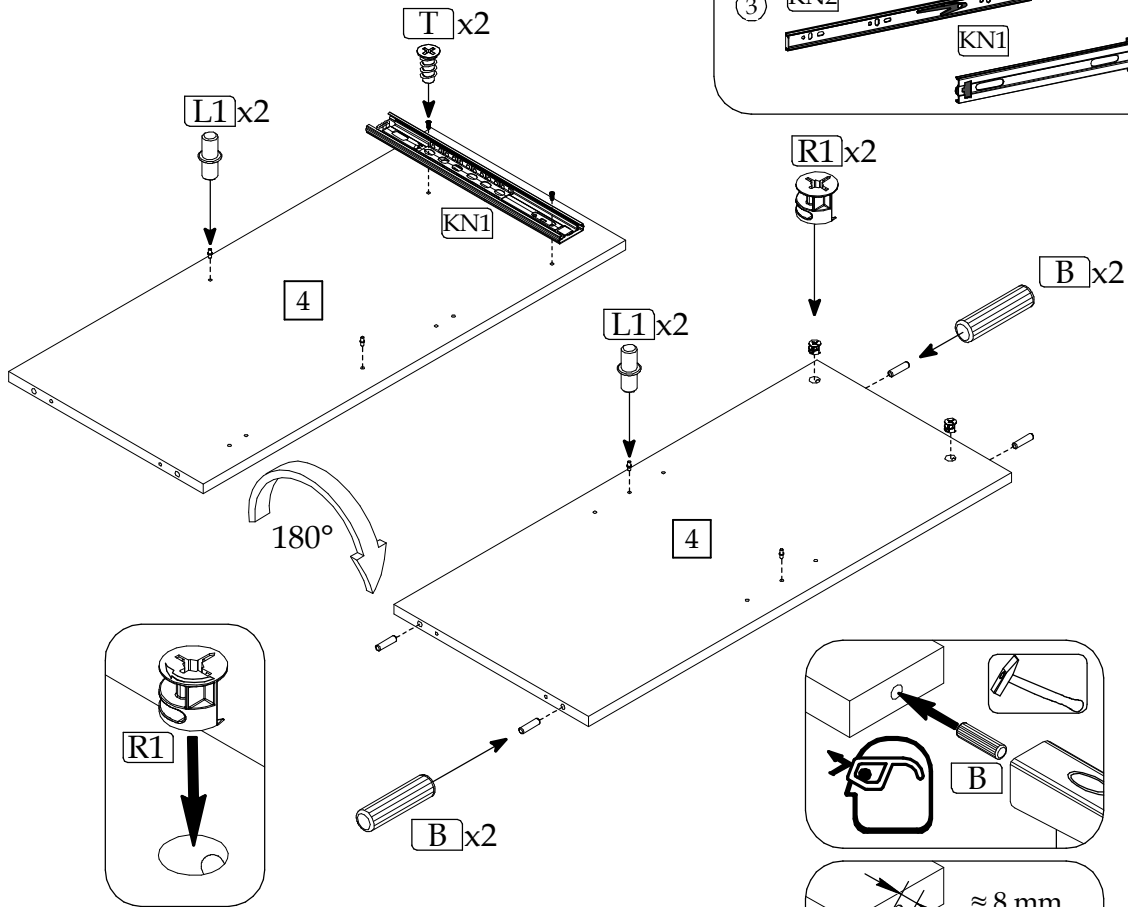


▶ 4

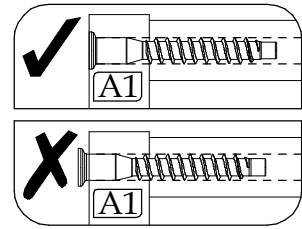
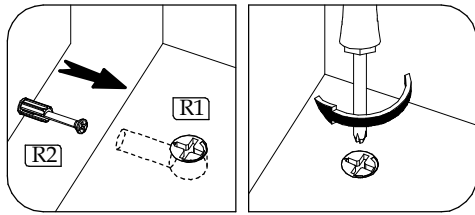




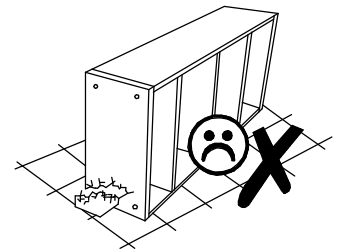
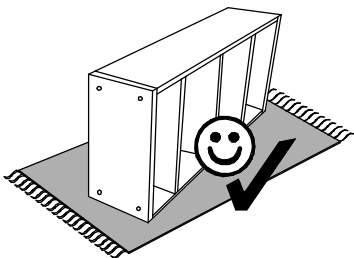
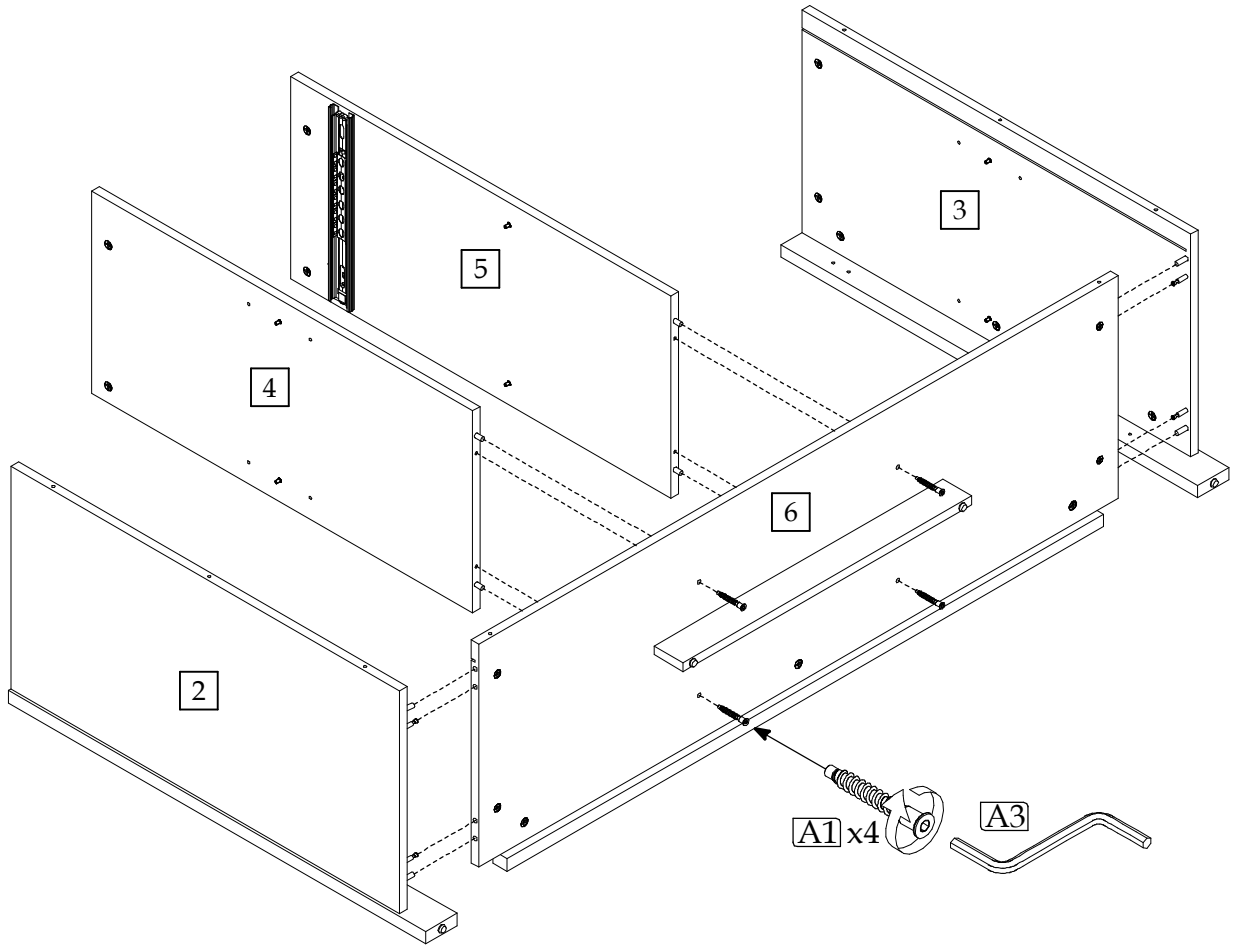
► 5



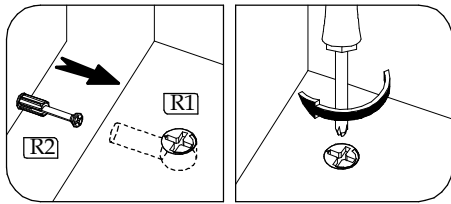
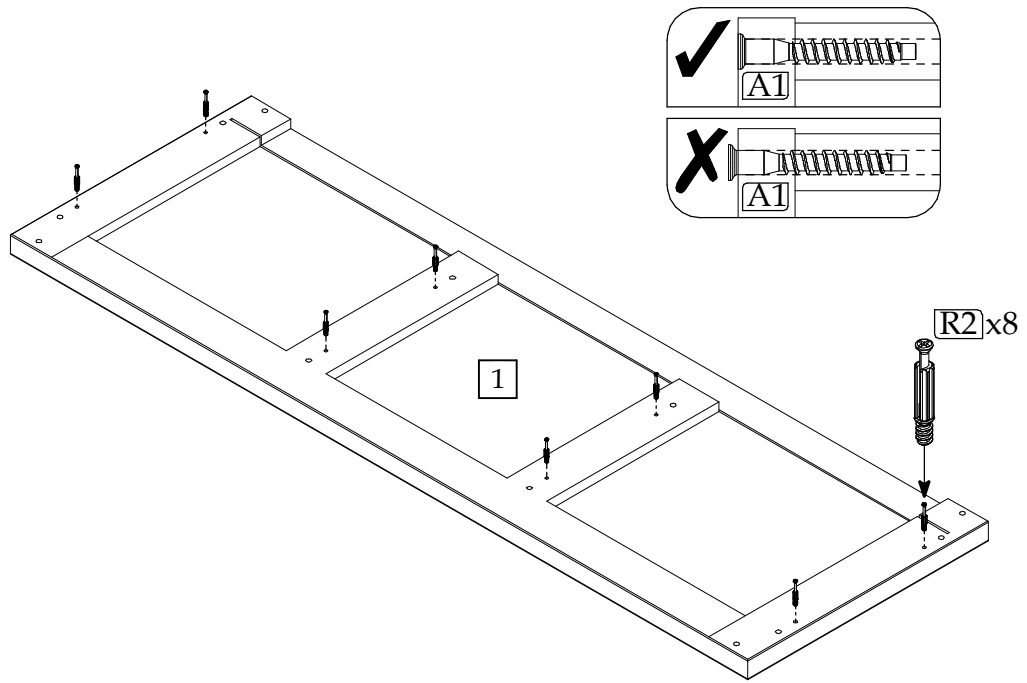
▶ 6



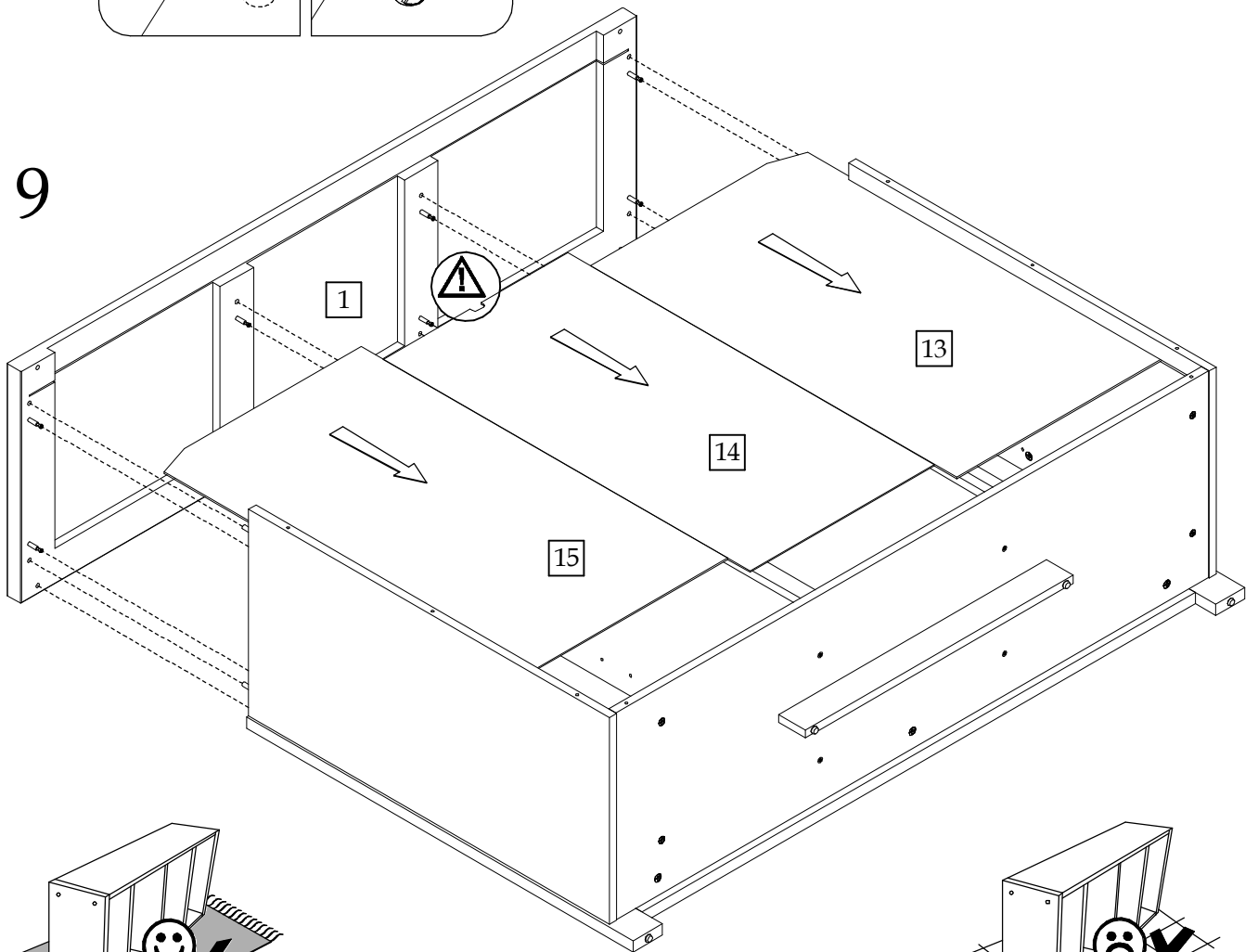
▶ 7



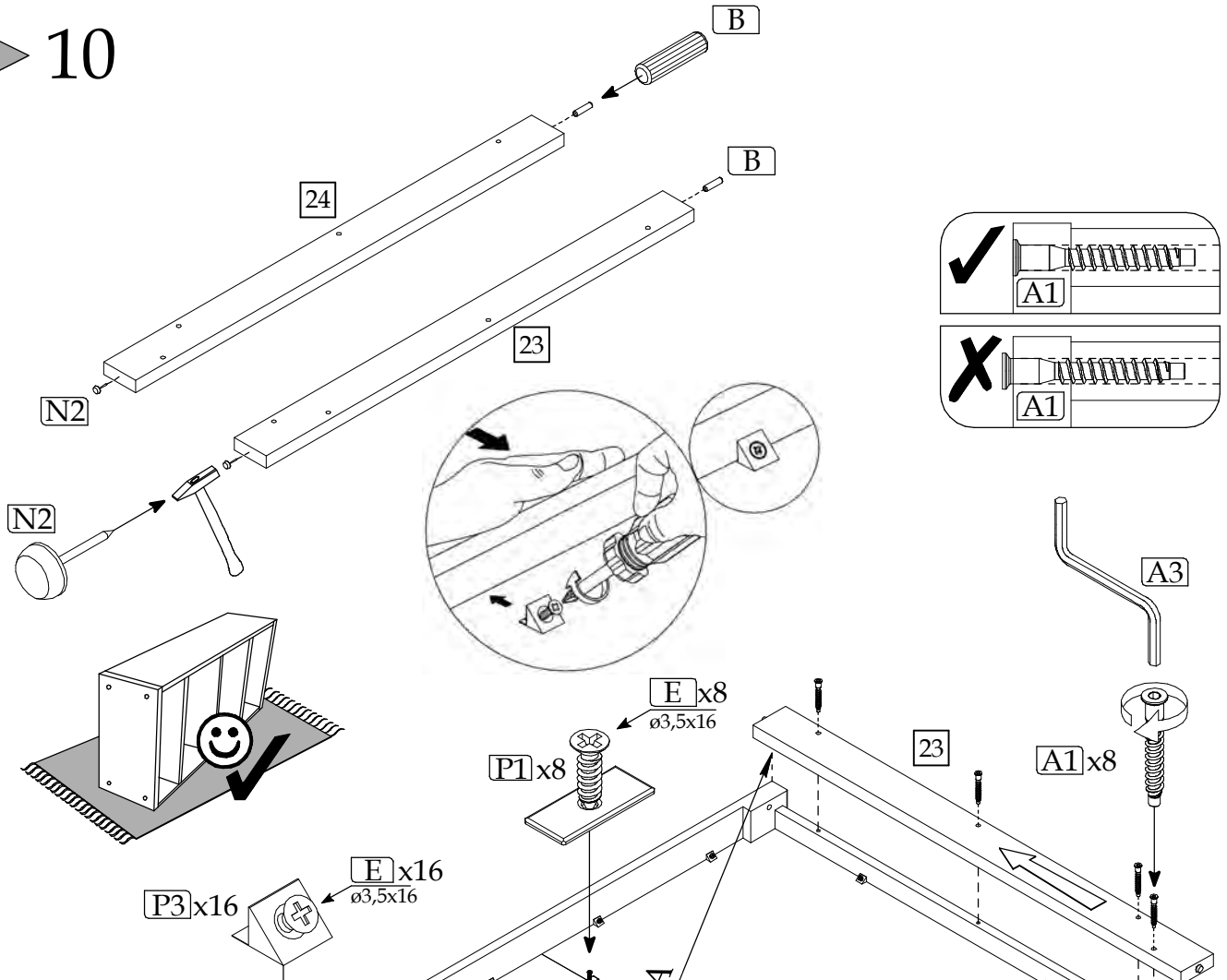
▶ 8



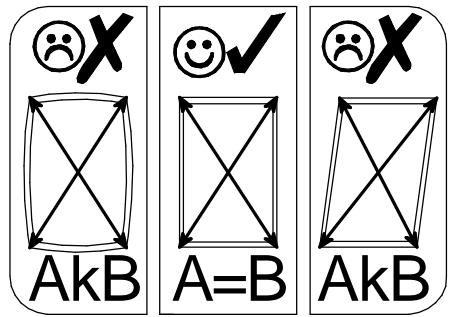
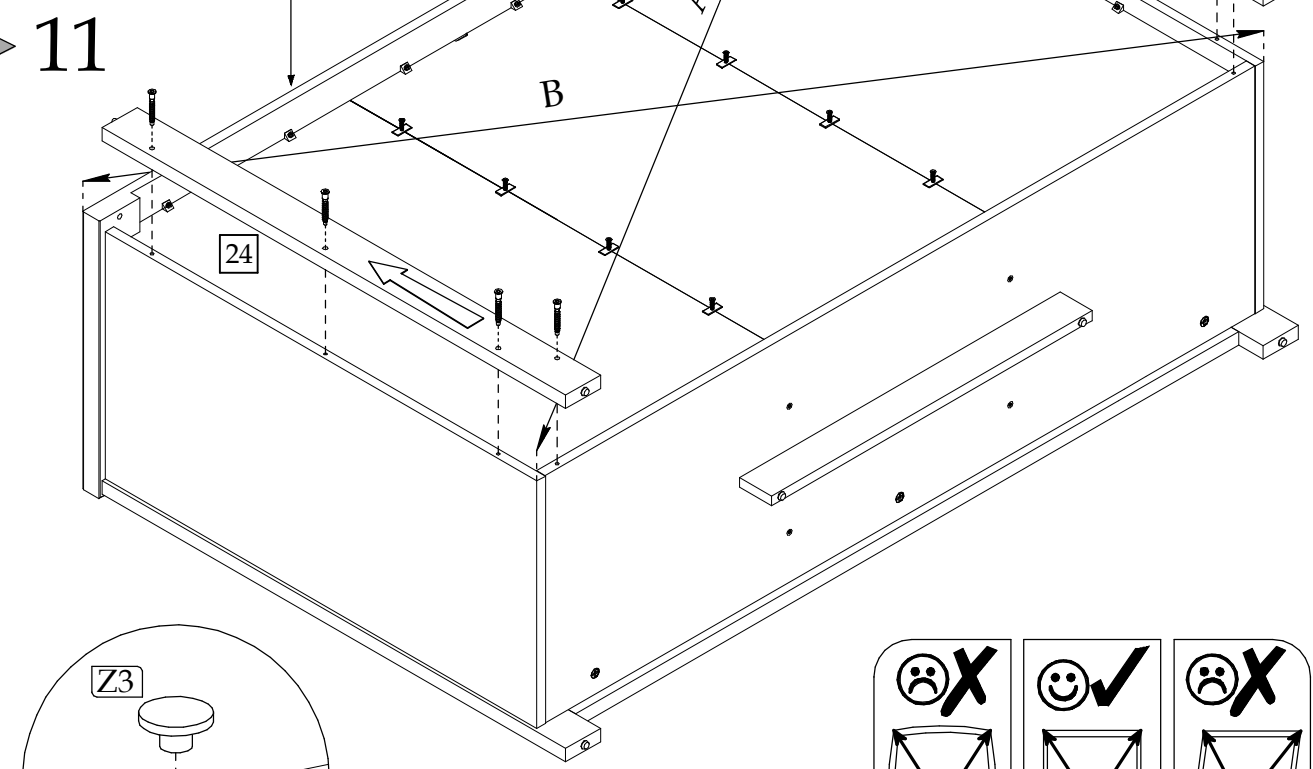
▶ 9



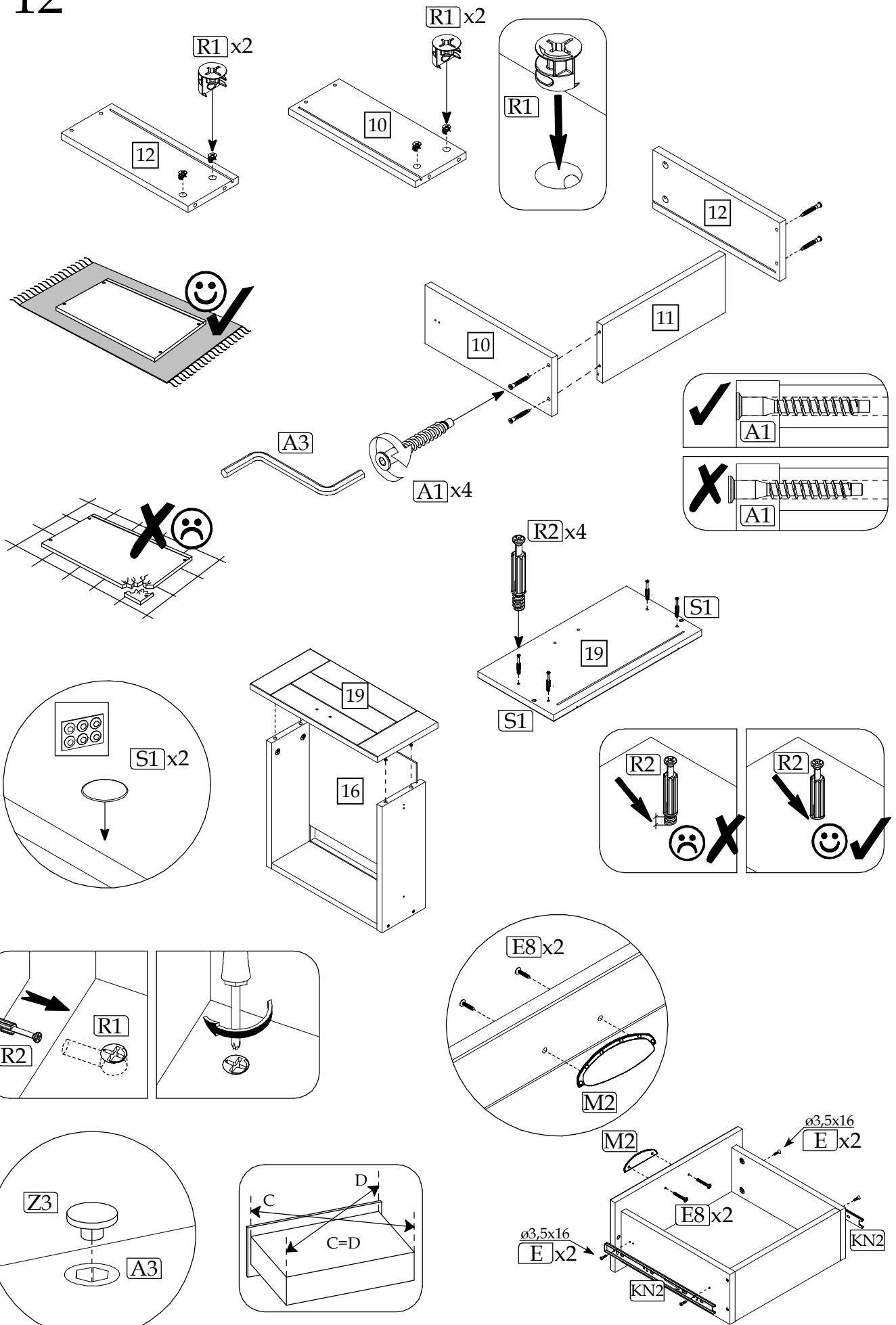
▶ 10



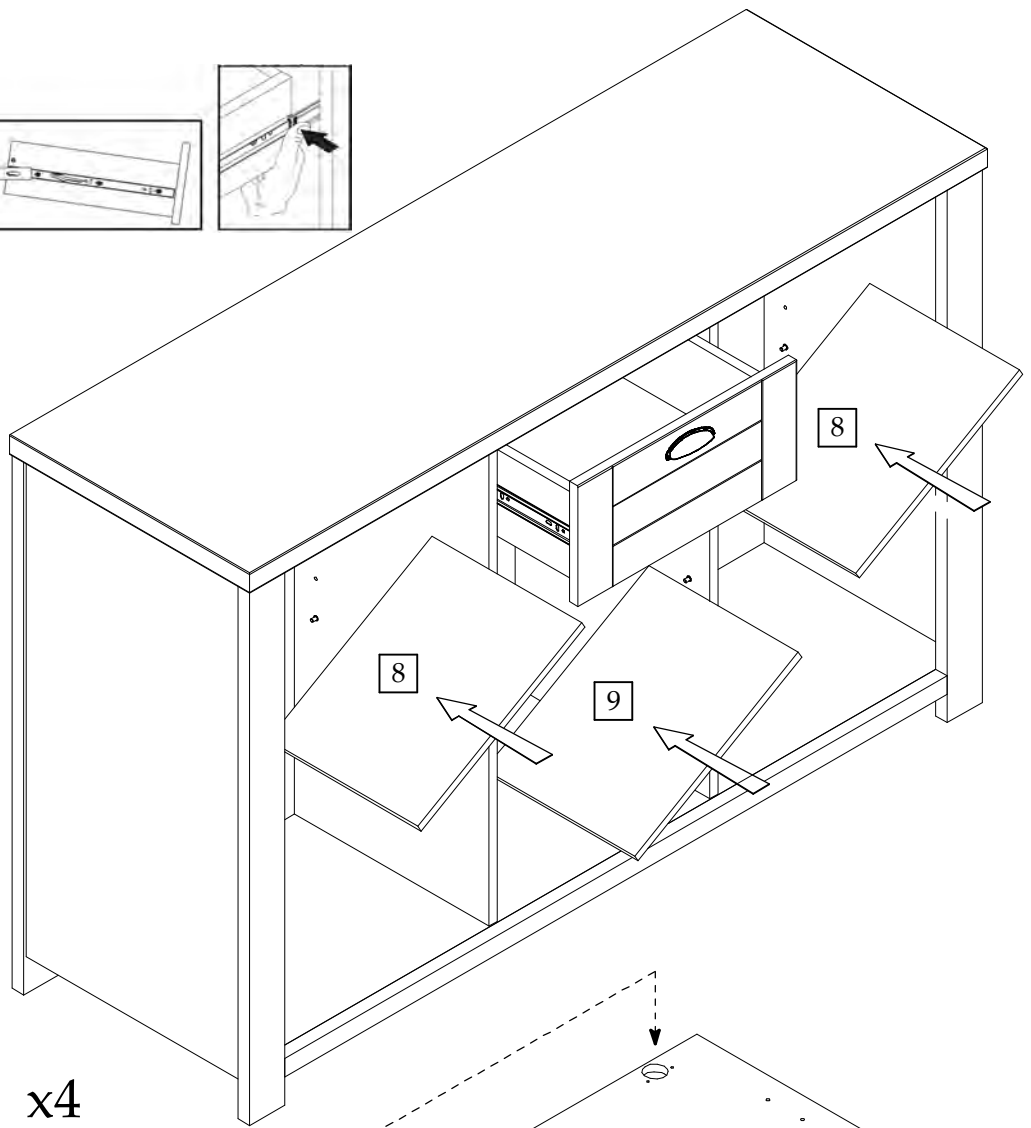
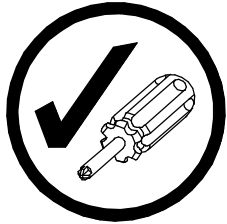
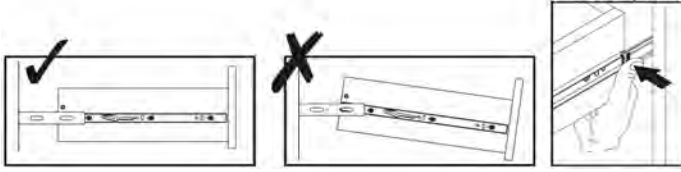
▶ 11



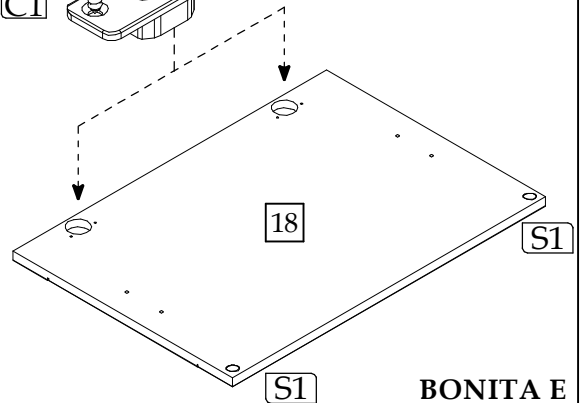
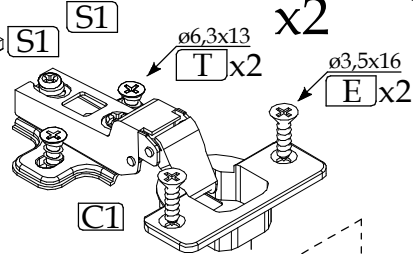
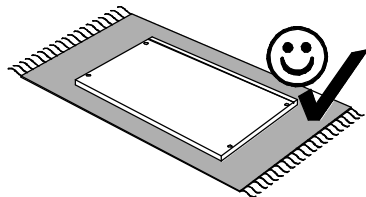
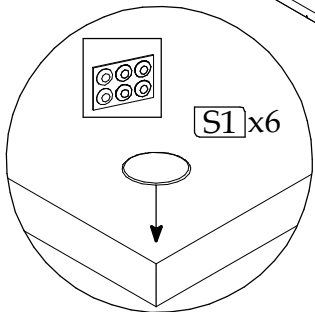
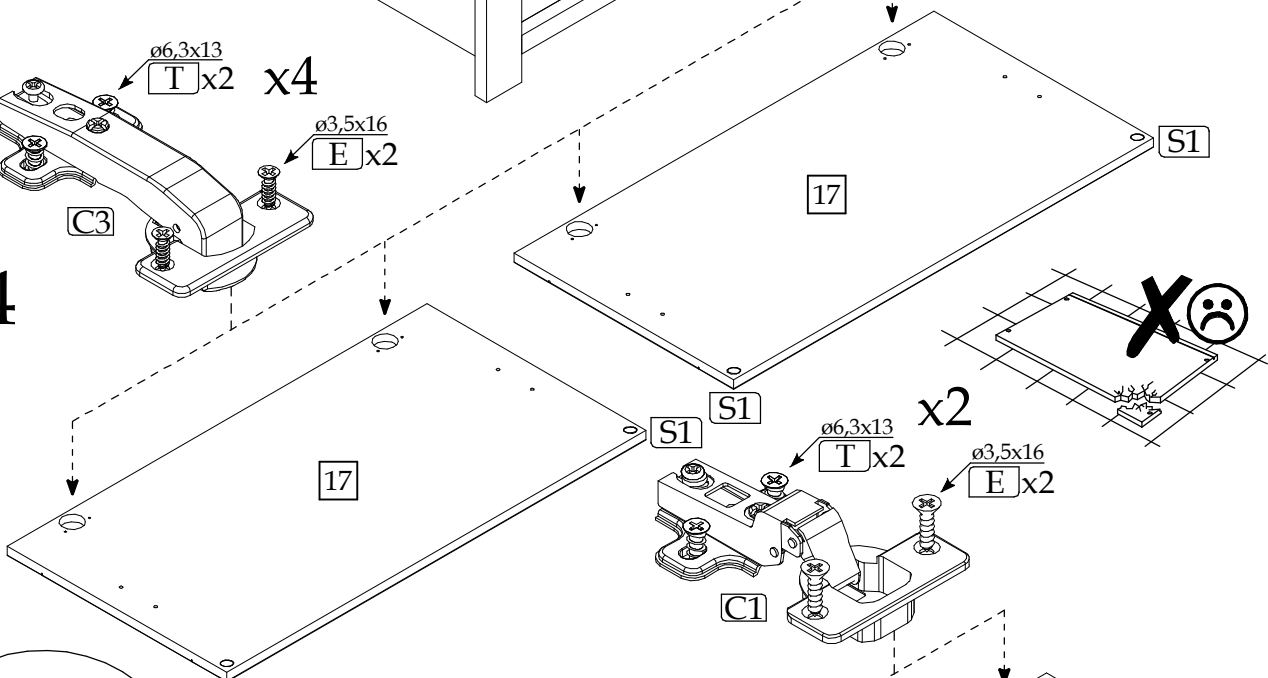
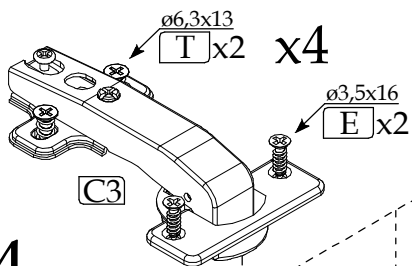
▶ 12



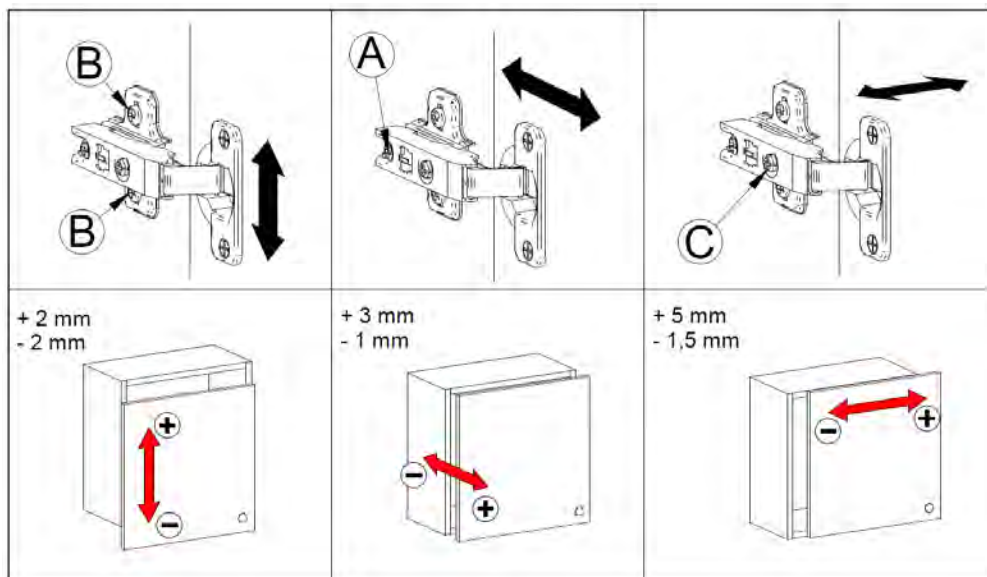
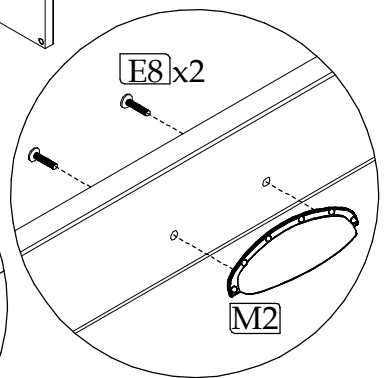
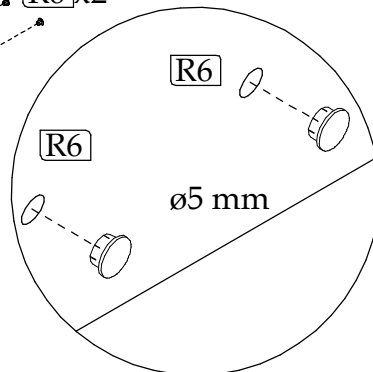
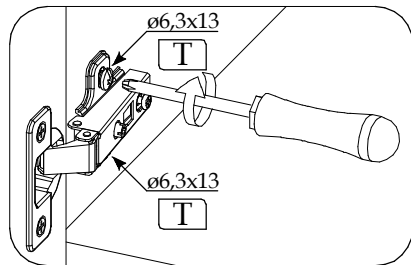
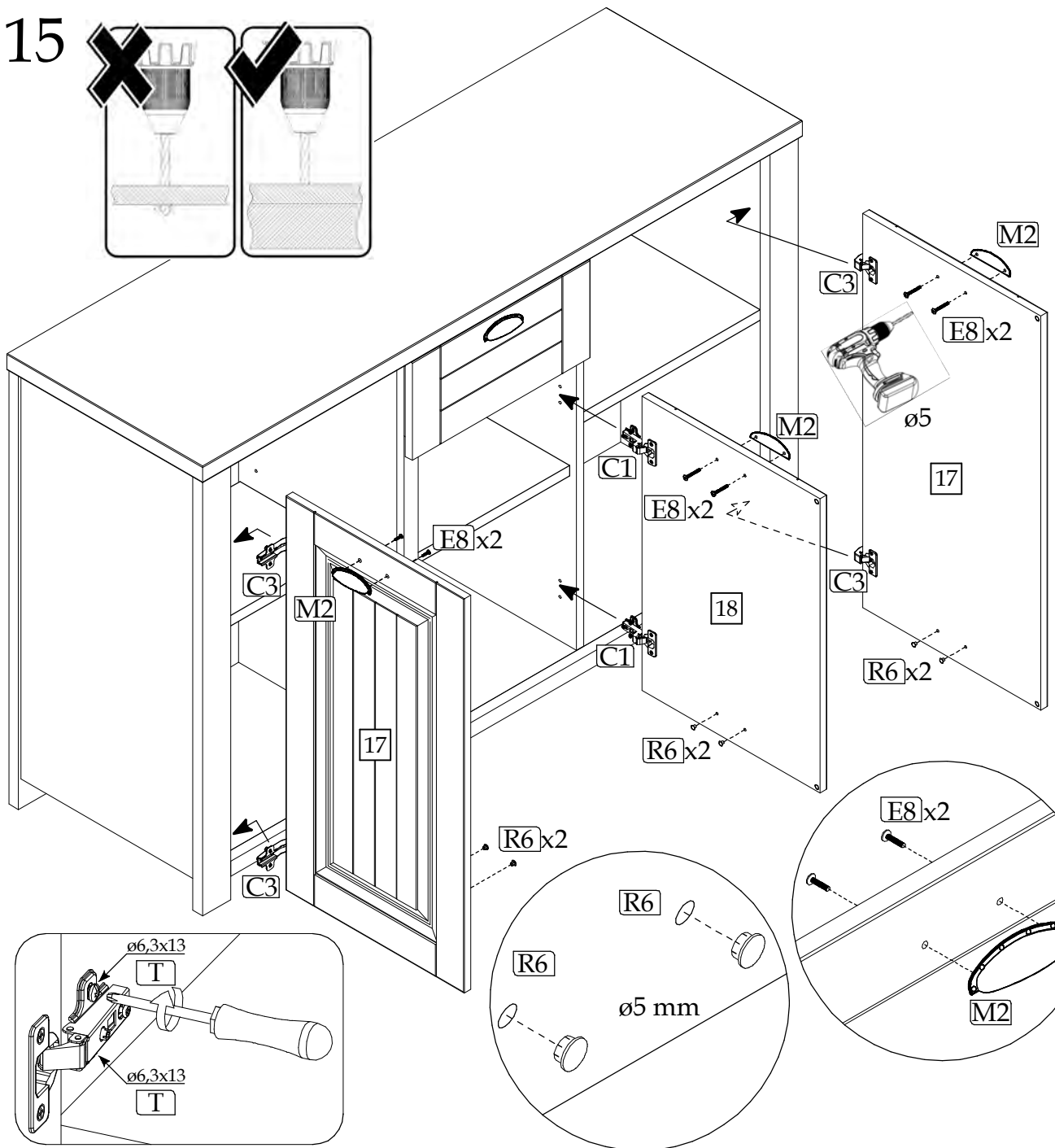
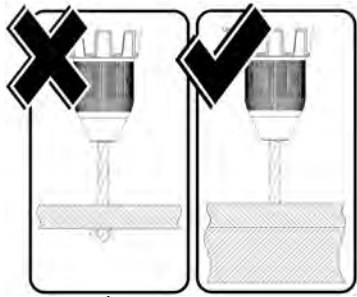
▶ 13



▶ 14



▶ 15



▶ 16

