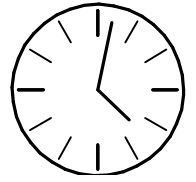
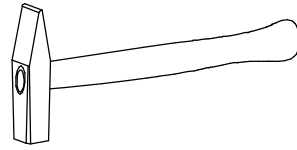
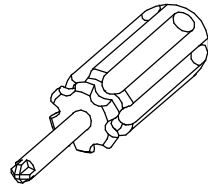
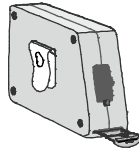
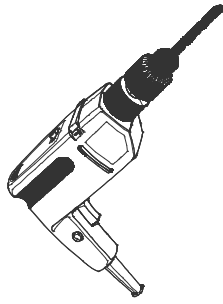
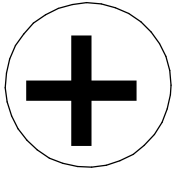
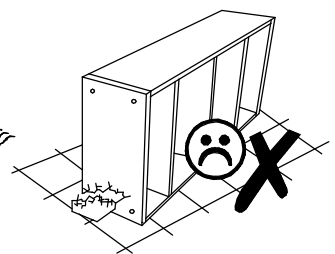
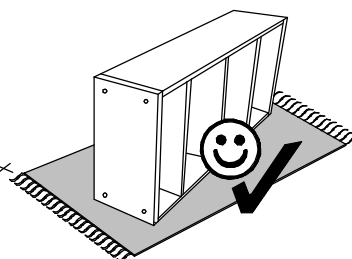
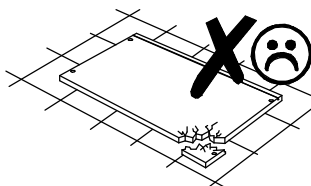
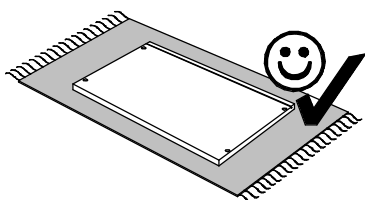
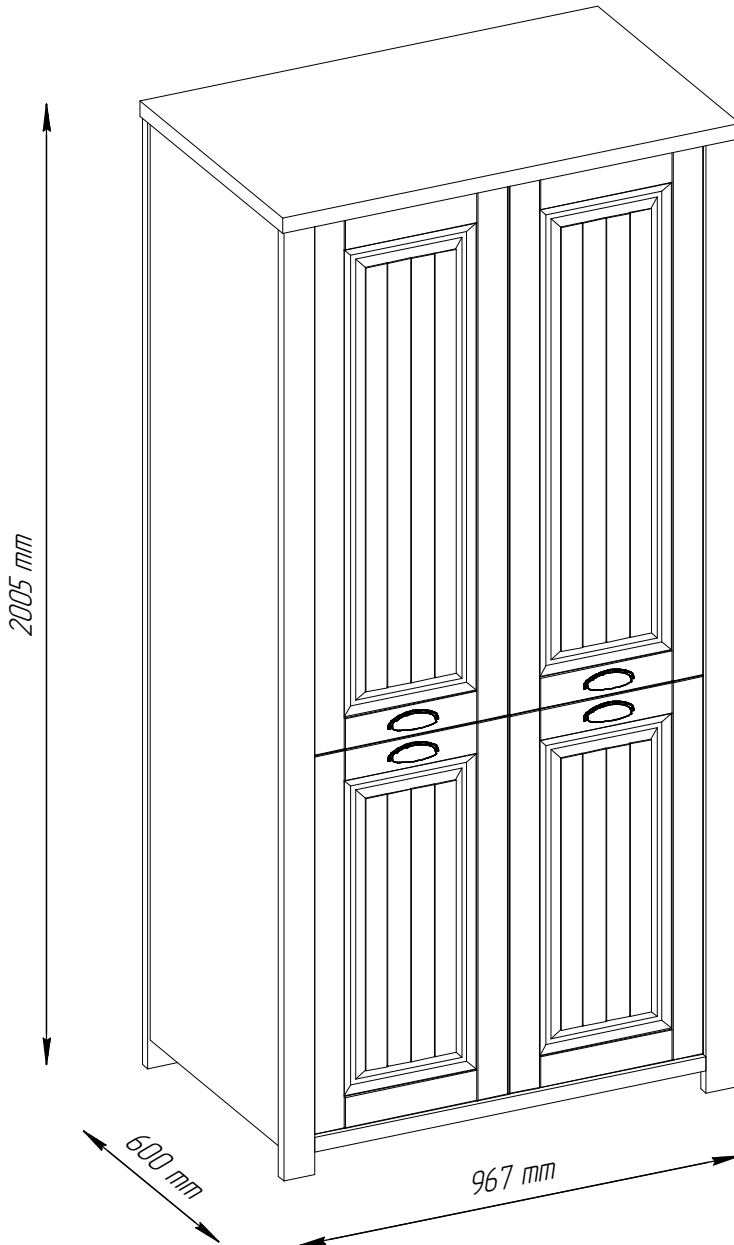
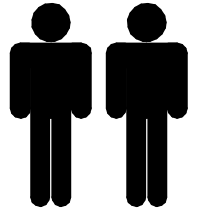
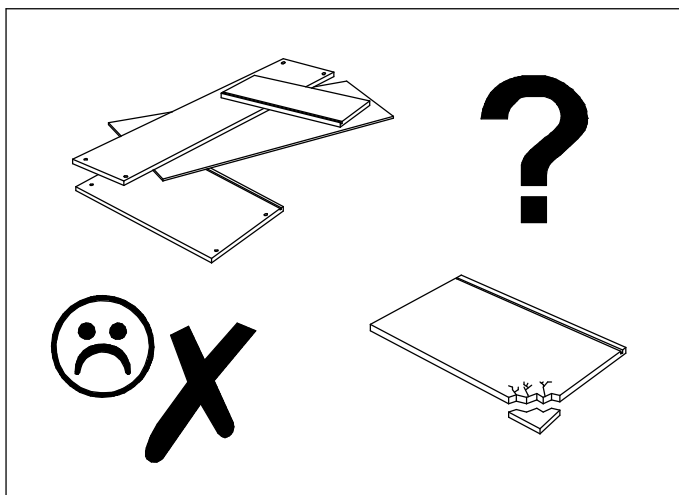
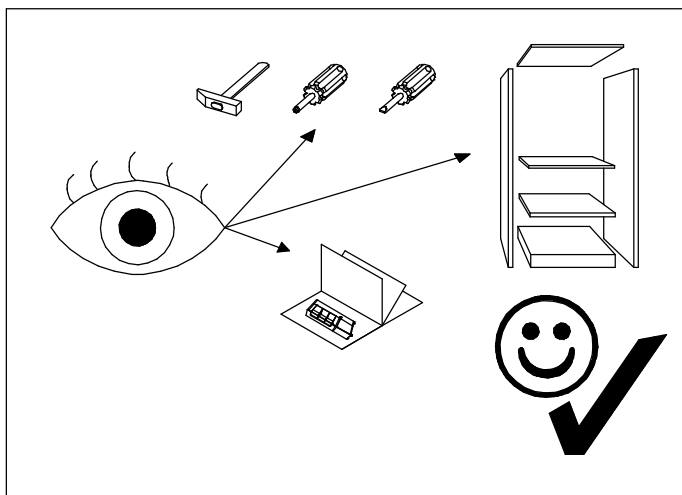
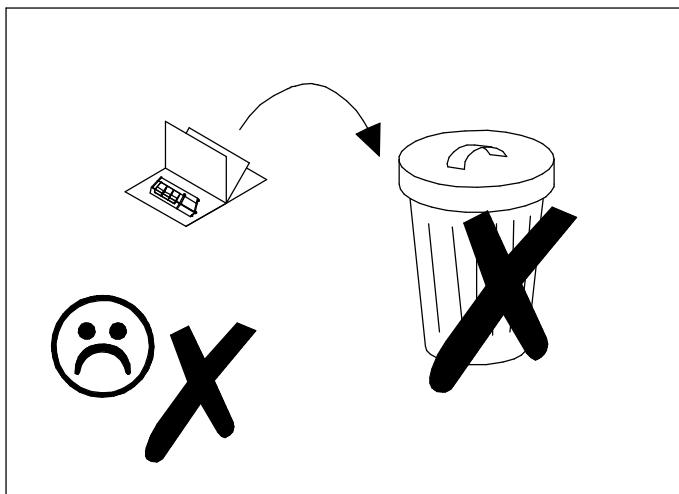
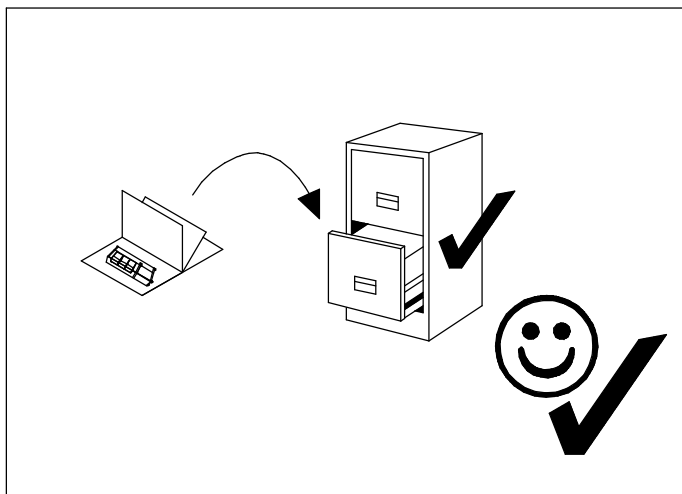
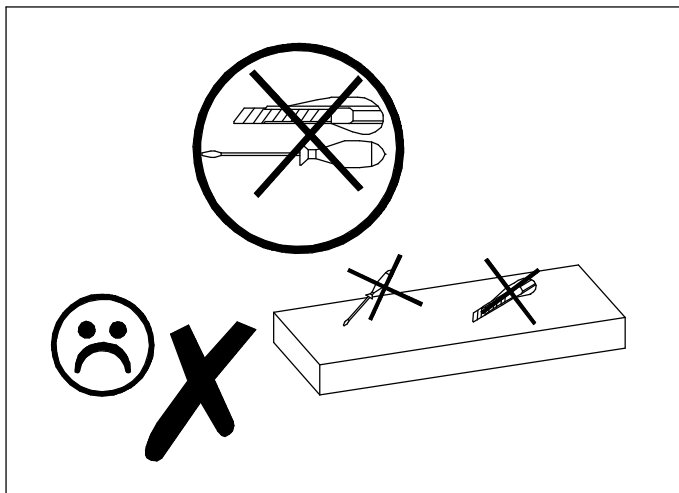
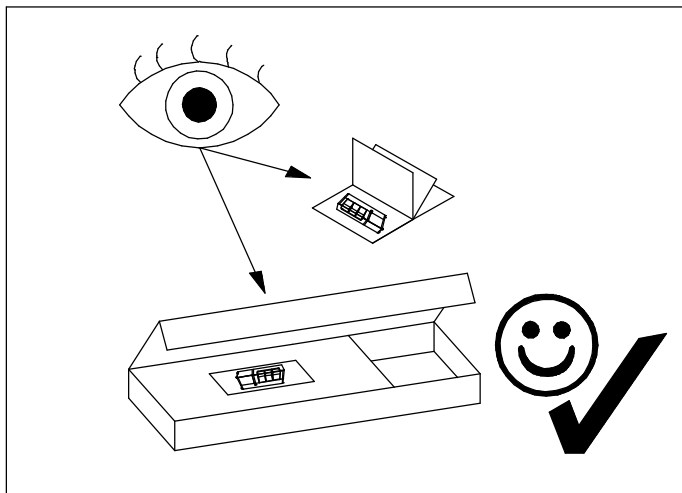


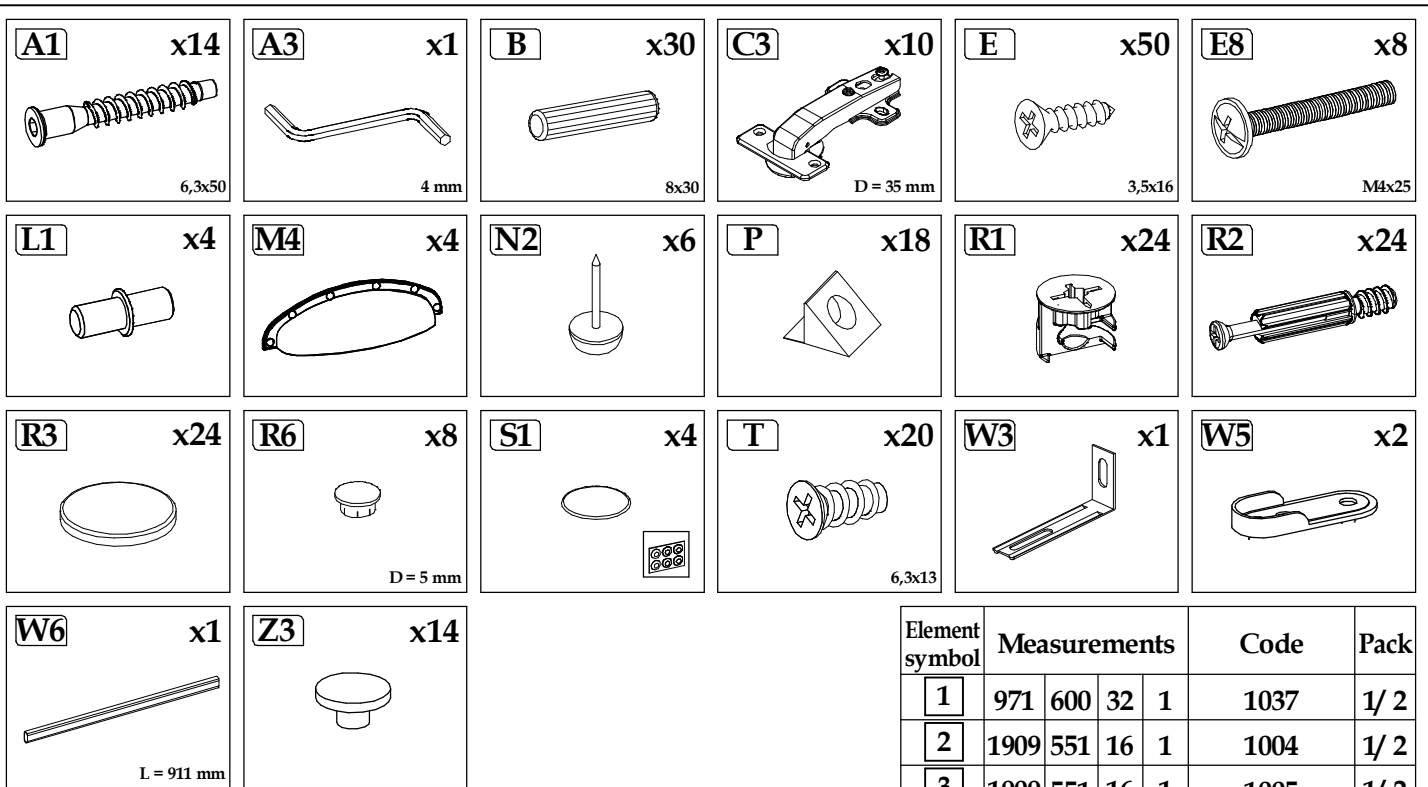
BONITA Q



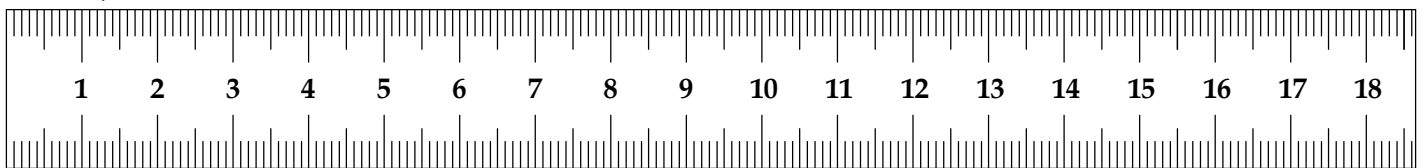
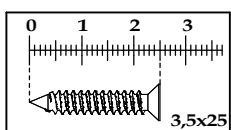
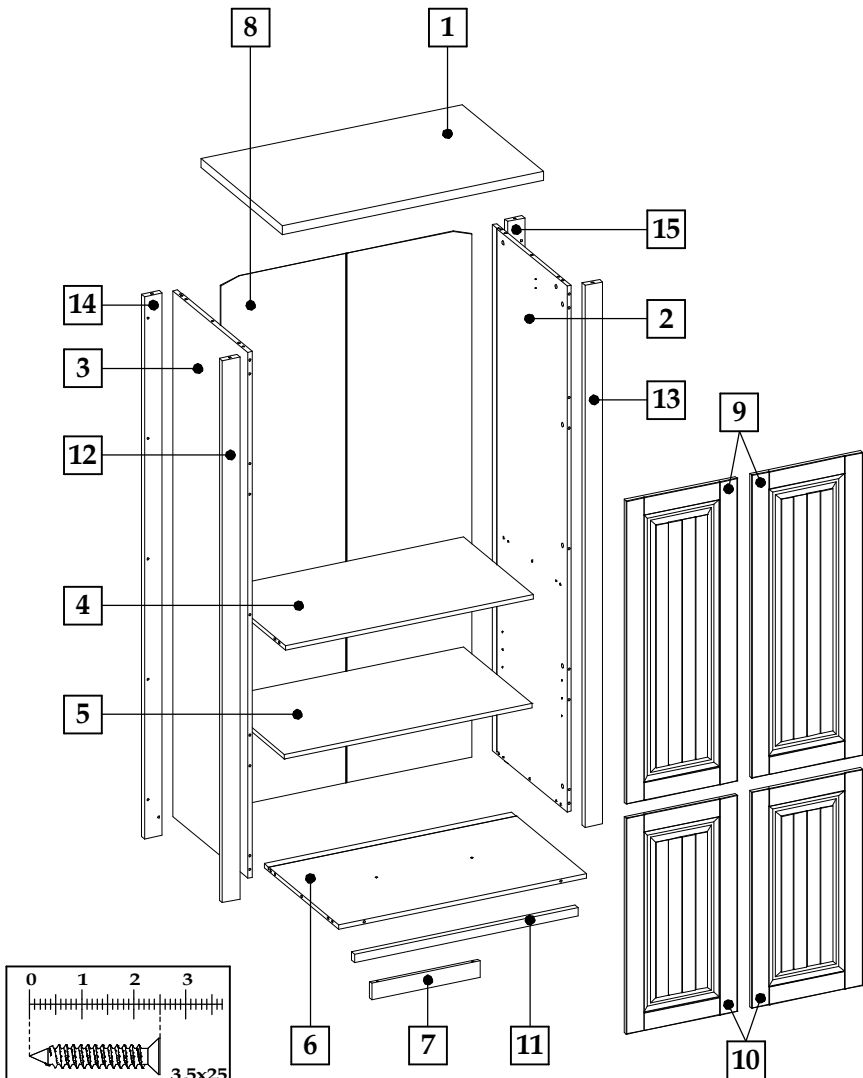
100 min



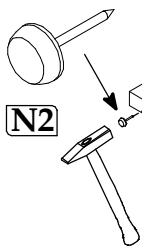
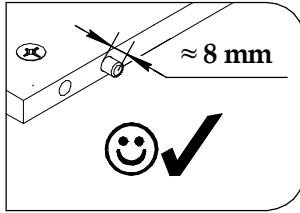
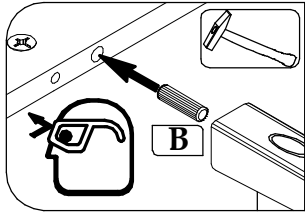




Element symbol	Measurements				Code	Pack
	1	2	3	4		
1	971	600	32	1	1037	1/ 2
2	1909	551	16	1	1004	1/ 2
3	1909	551	16	1	1005	1/ 2
4	915	514	16	1	1038	1/ 2
5	915	505	16	1	N/ A	1/ 2
6	915	551	16	1	1006	1/ 2
7	400	60	16	1	1003	1/ 2
8	1922	466	16	2	1071_v/ 1072_v	1/ 2
9	1102	412	16	2	1006_v	2/ 2
10	787	412	16	2	1001_v	2/ 2
11	827	30	16	1	P22_827x30	1/ 2
12	1968	65	16	1	P22_1968x65_1	1/ 2
13	1968	65	16	1	P22_1968x65_2	1/ 2
14	1968	65	16	1	P22_1968x65_3	1/ 2
15	1968	65	16	1	P22_1968x65_4	1/ 2



▶ 1



R2 x5

13

B x7
ø8x30

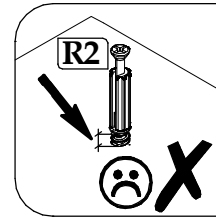
L1 x2

R1 x7

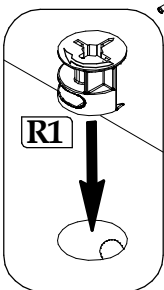
E x2
ø3,5x16

R2 x4

2

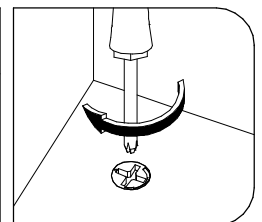
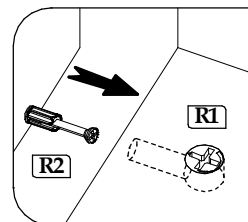


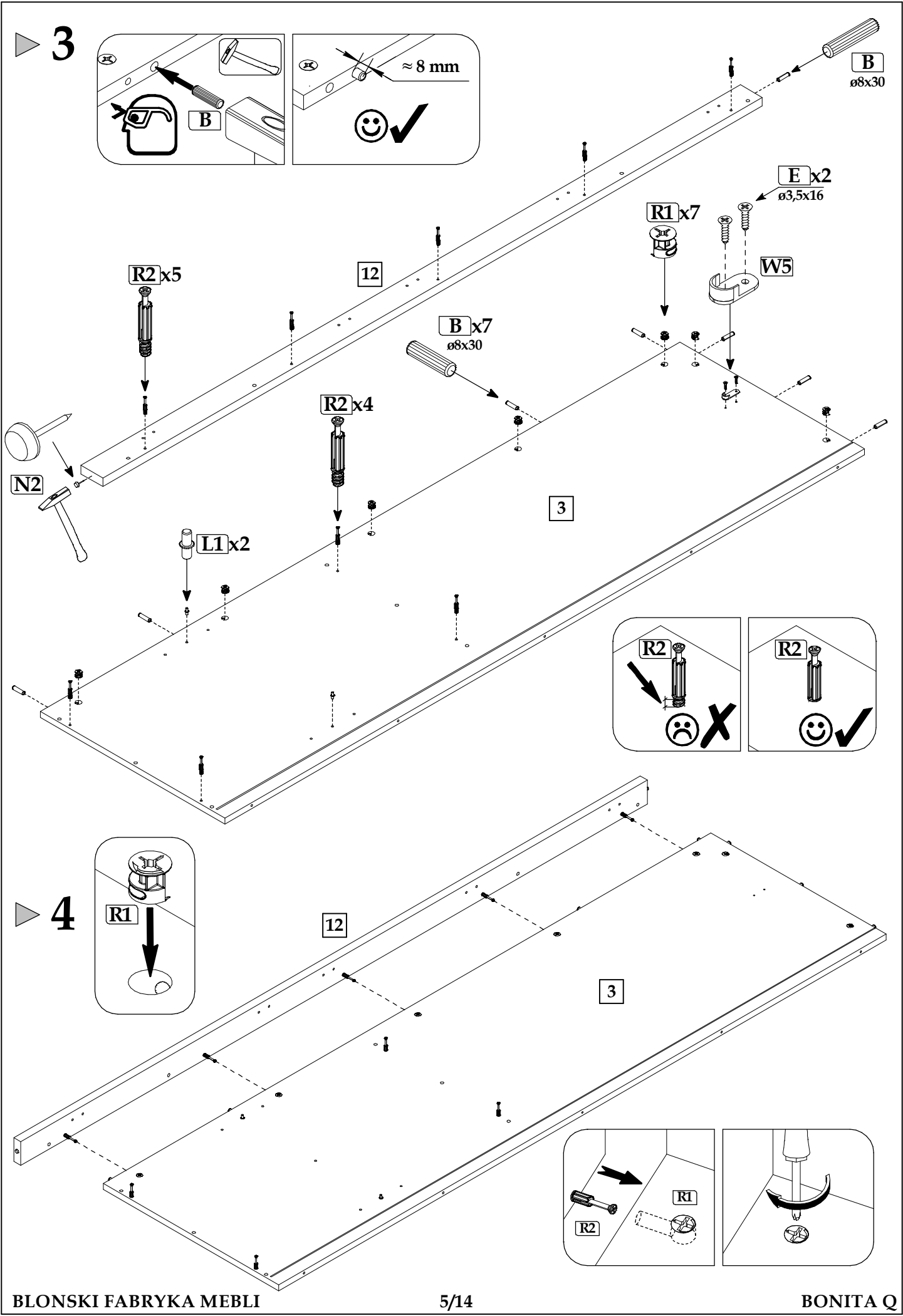
▶ 2



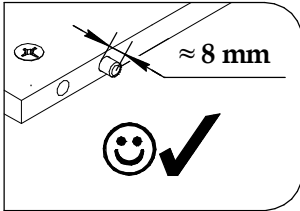
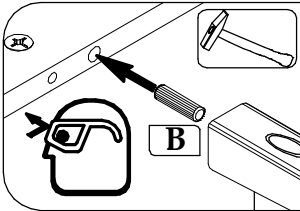
13

2





3



B
ø8x30

E x2
ø3,5x16

R1 x7

W5

B x7
ø8x30

R2 x5

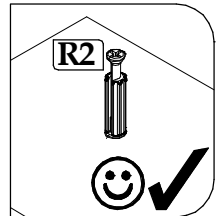
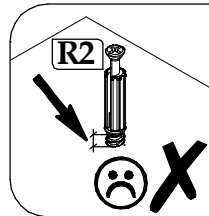
12

R2 x4

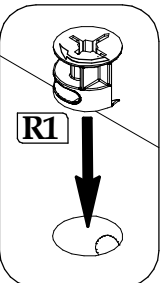
3

L1 x2

N2

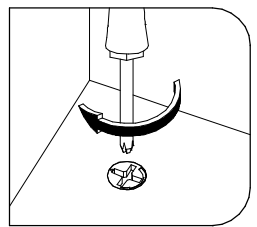
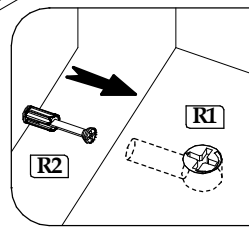


4

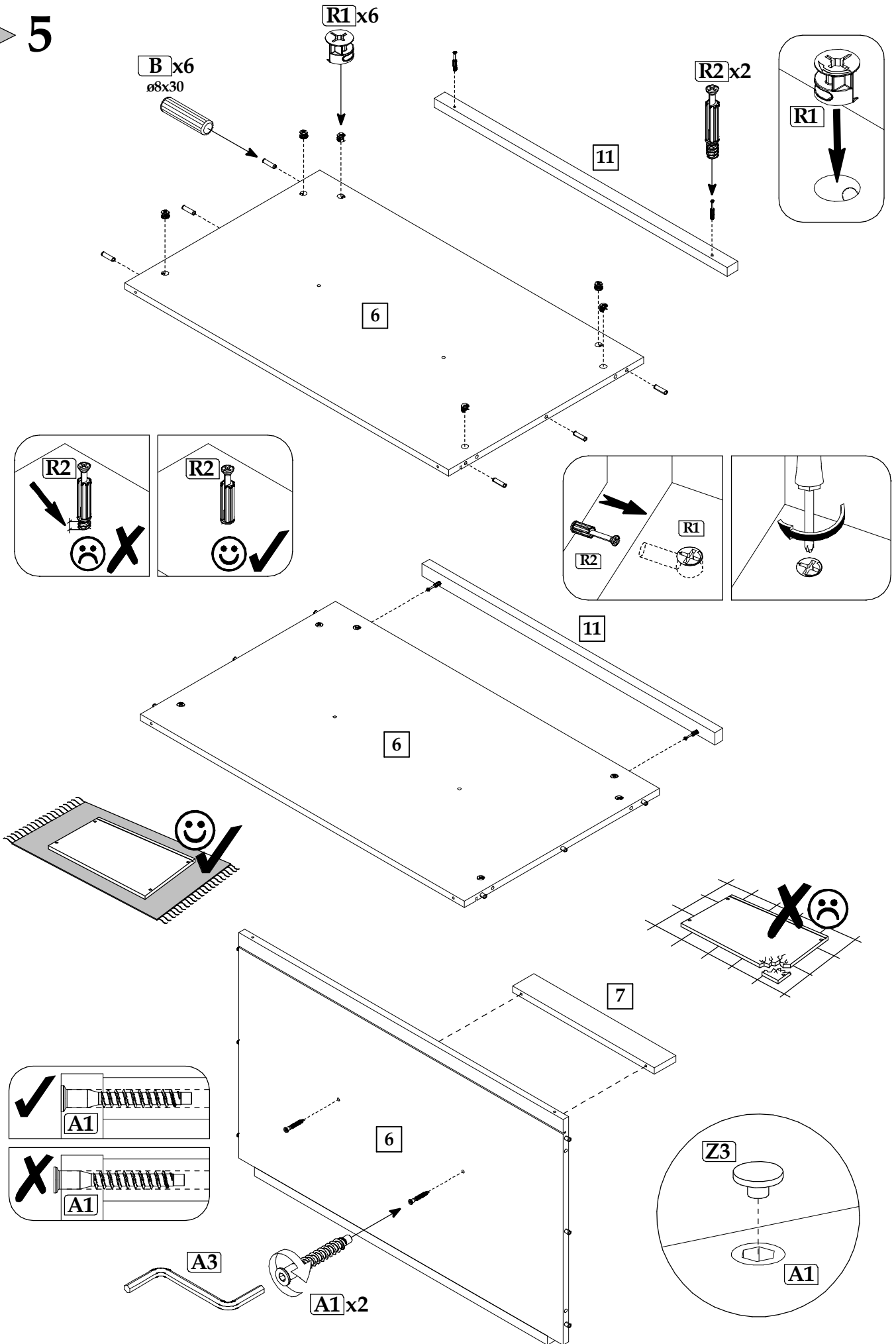


12

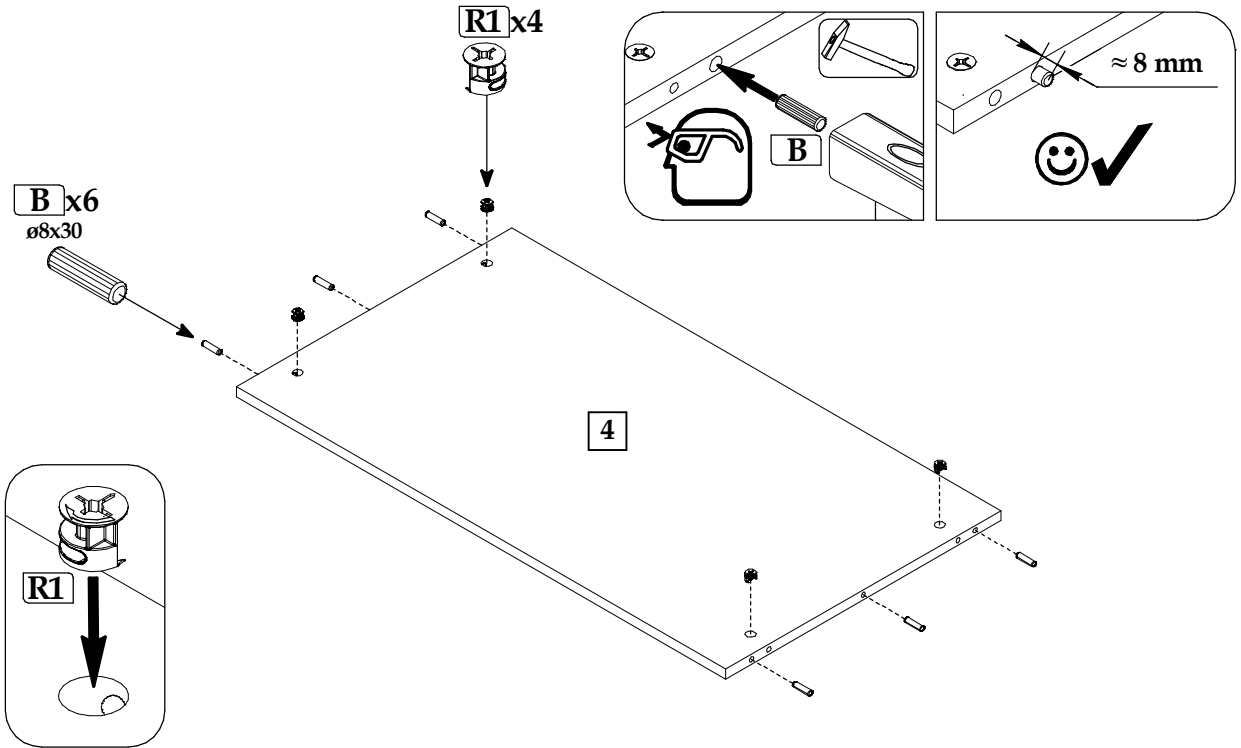
3



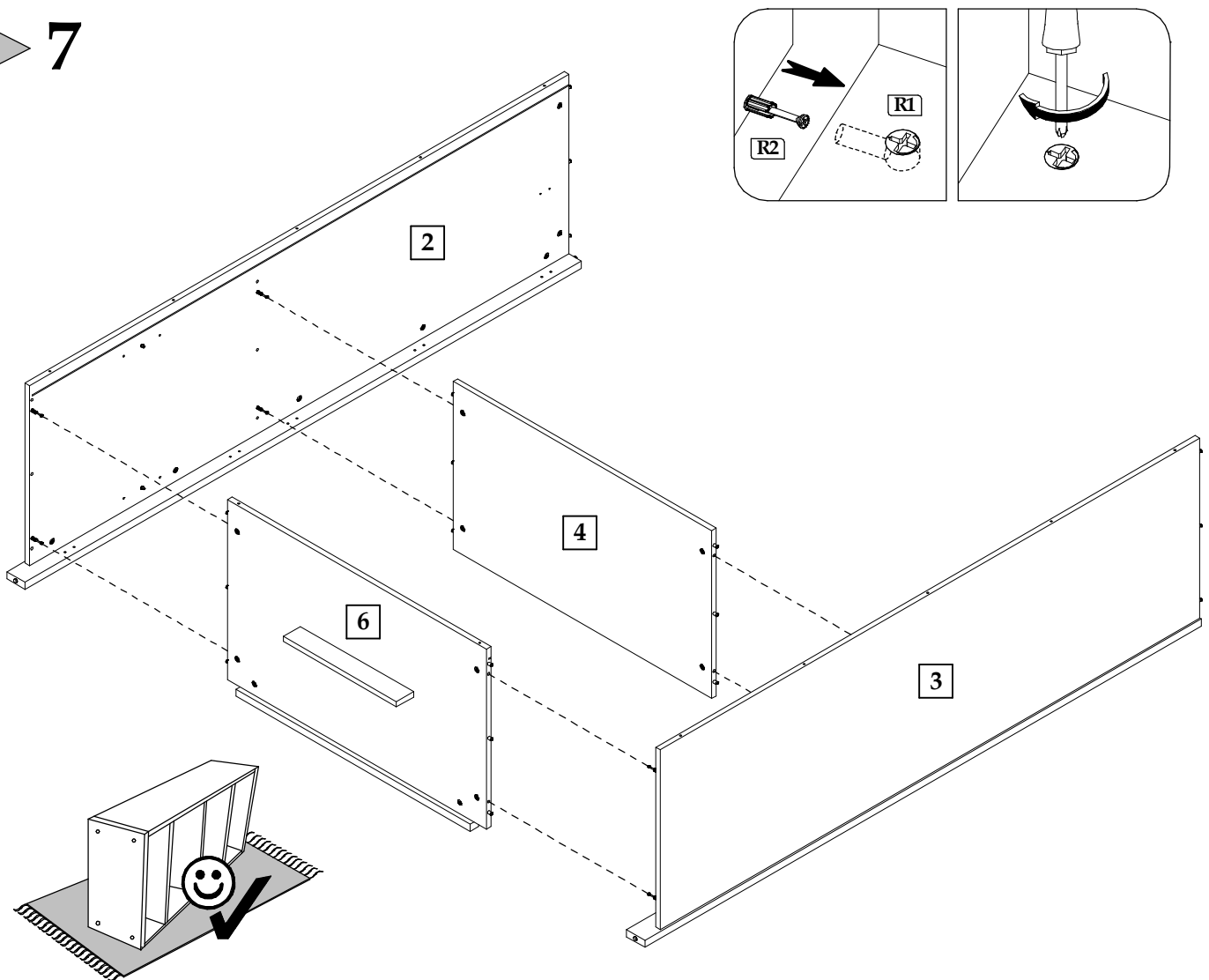
▶ 5



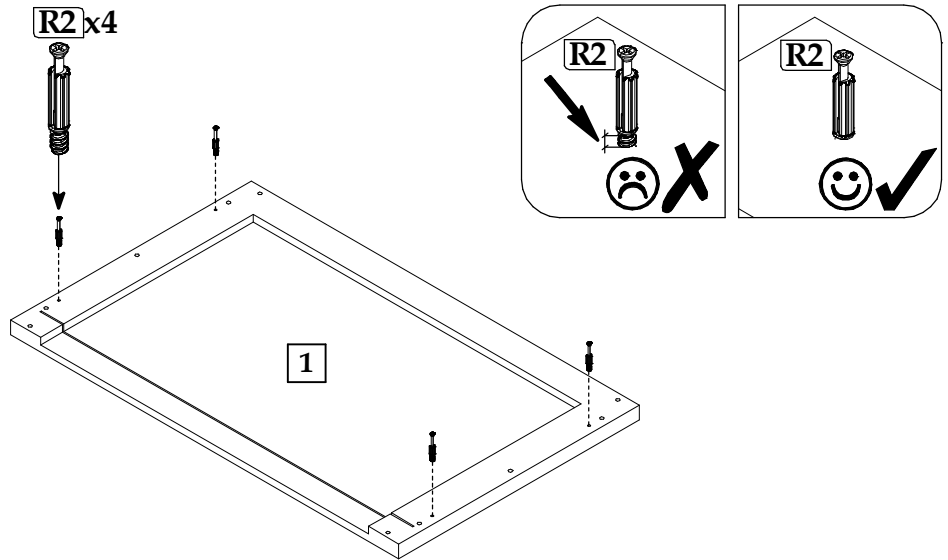
▶ 6



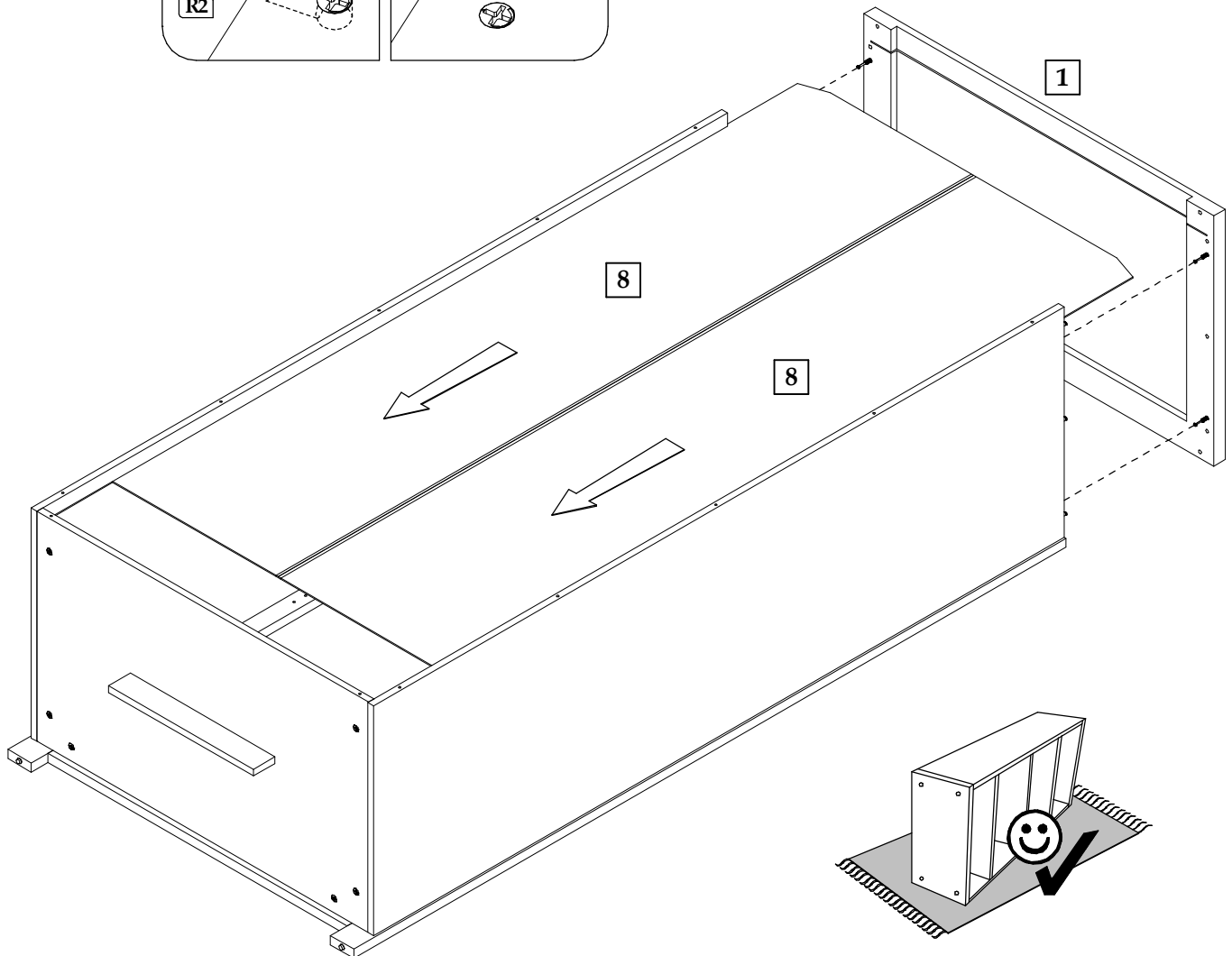
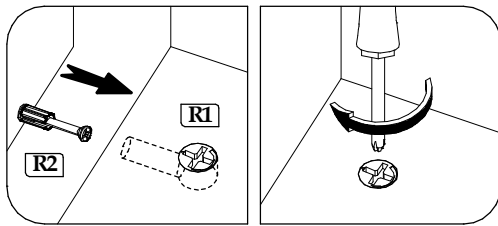
▶ 7



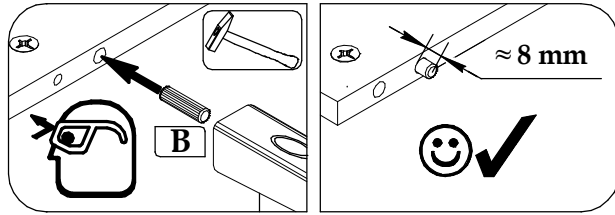
▶ 8



▶ 9



▶ 10

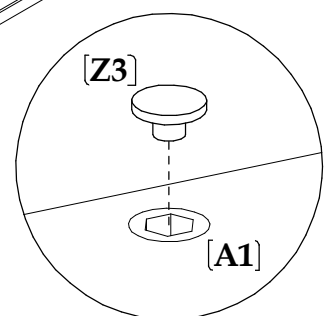
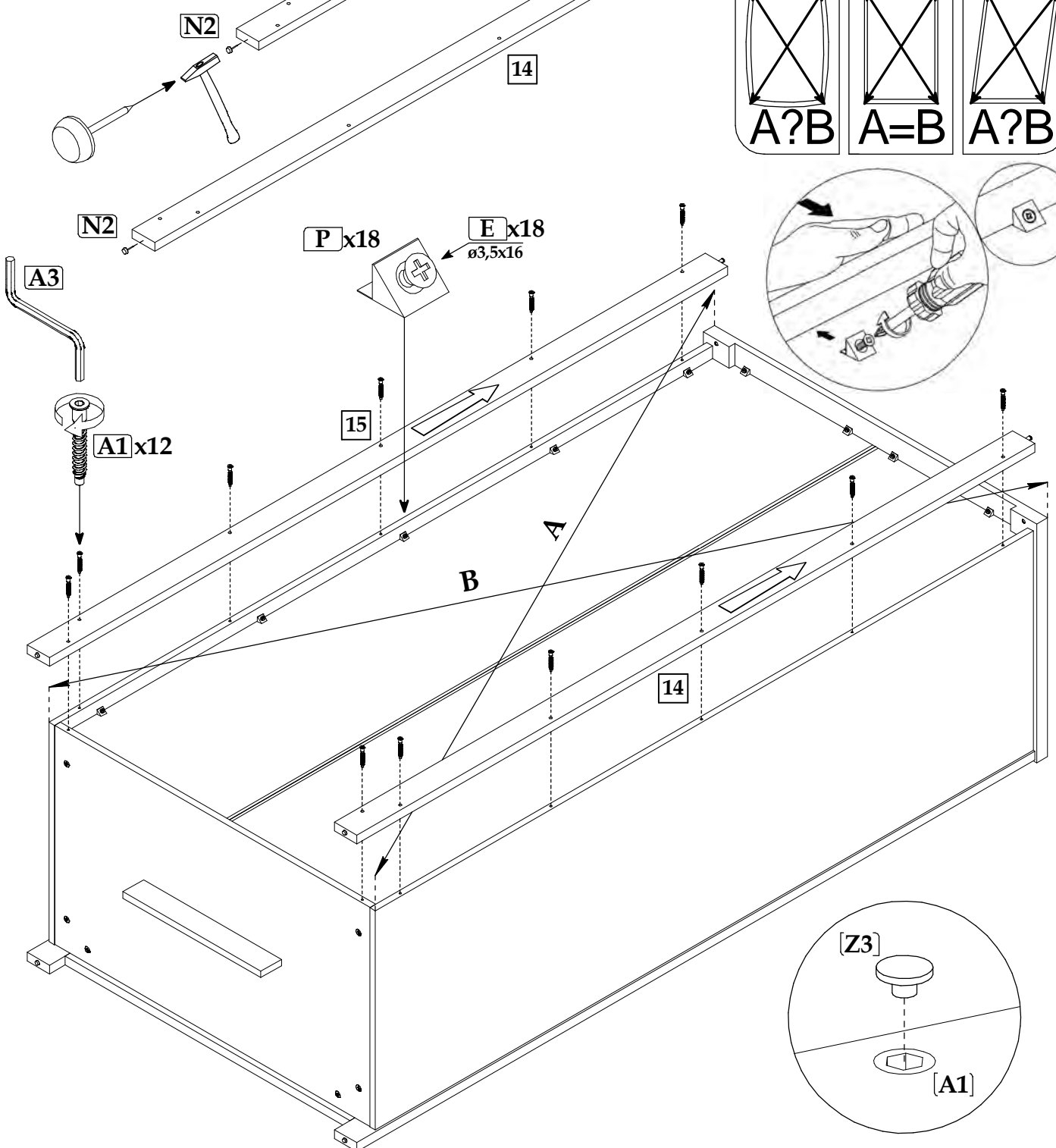
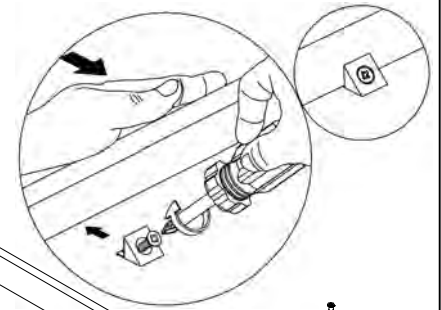
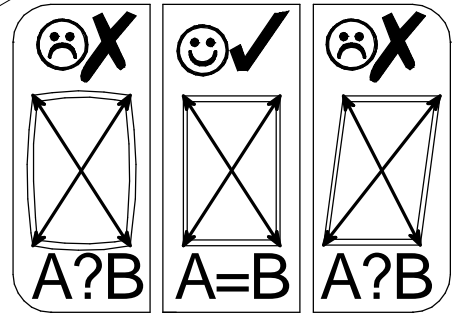


15

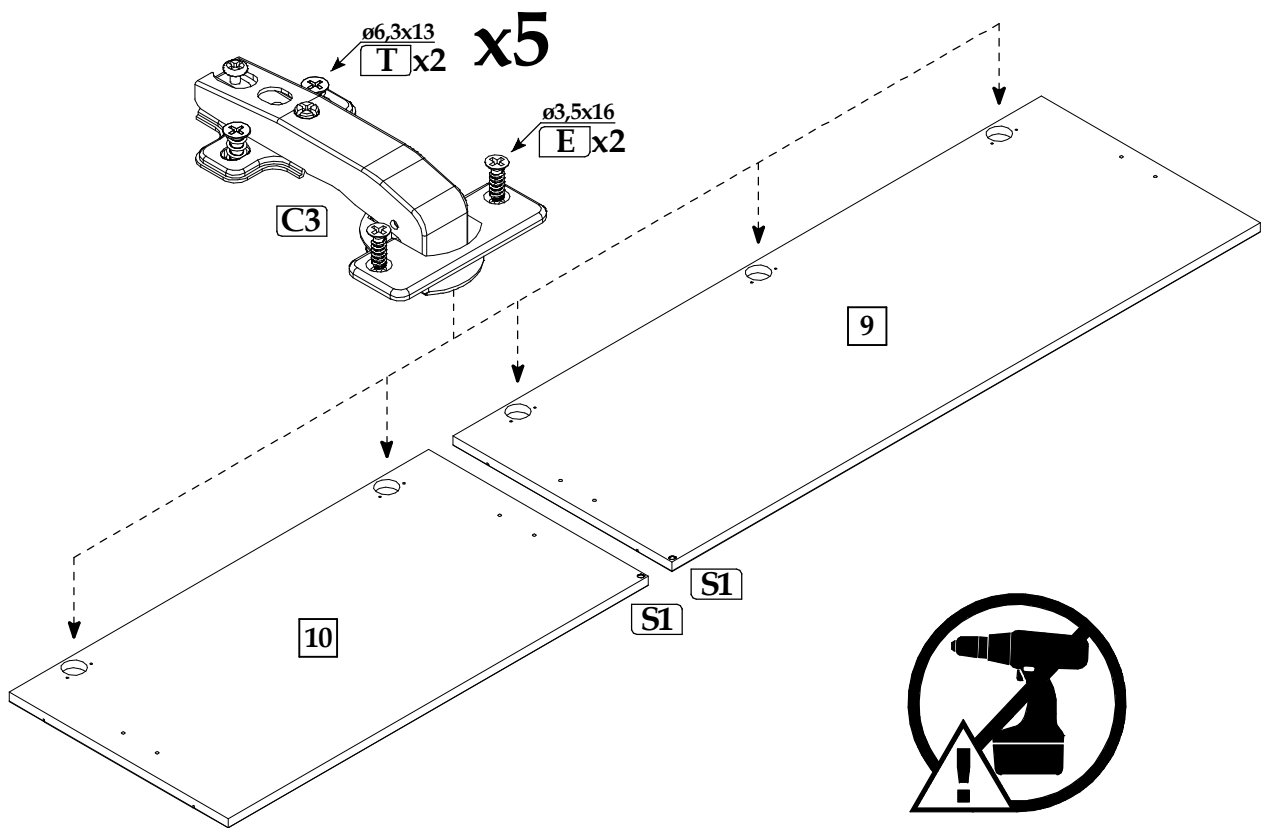
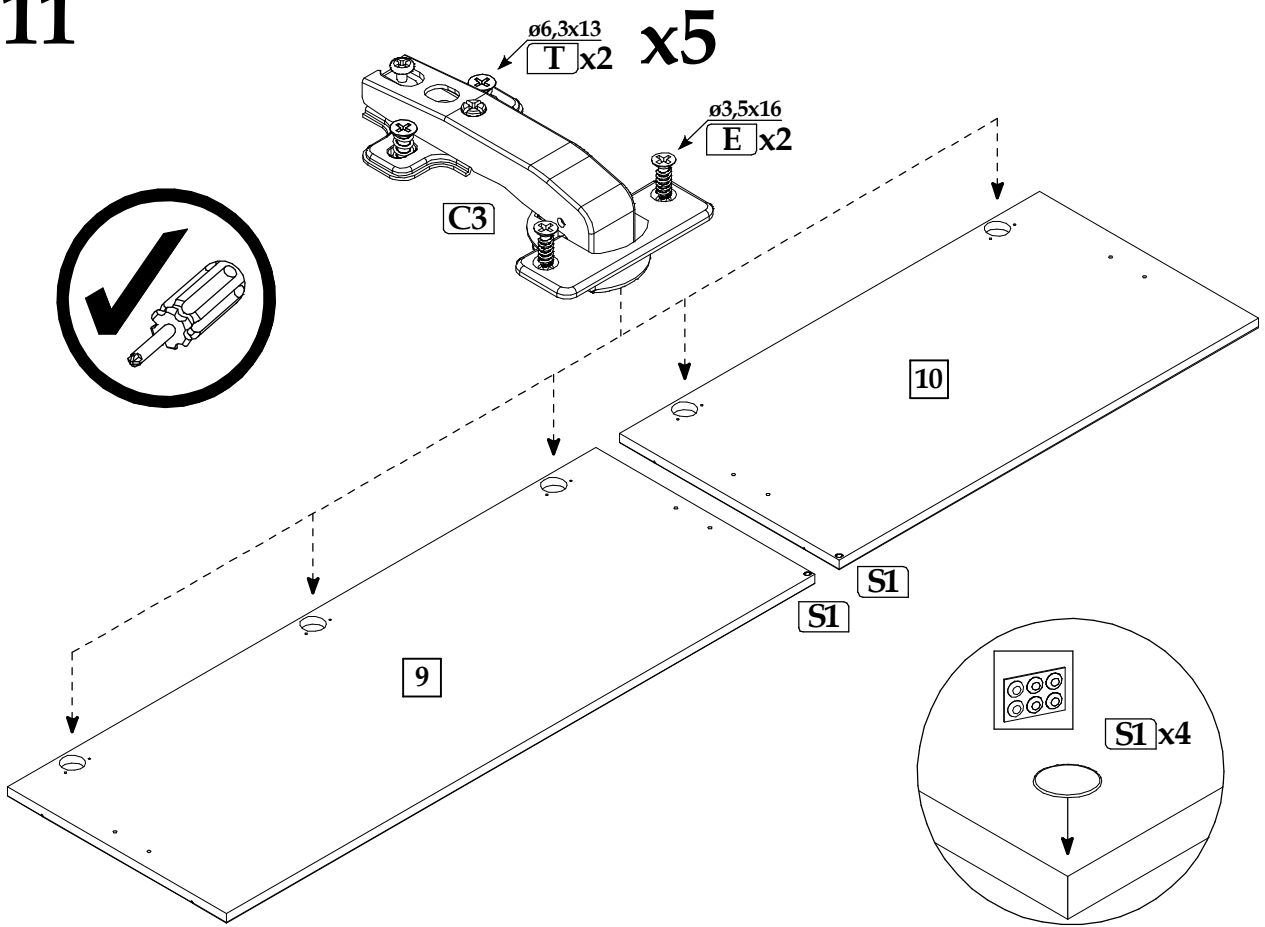
B
ø8x30

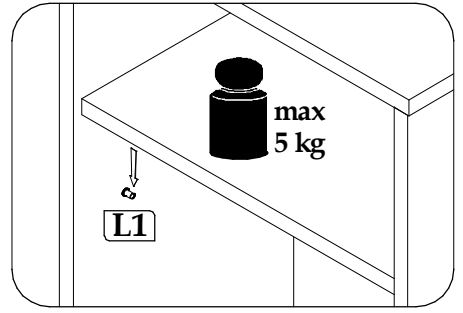
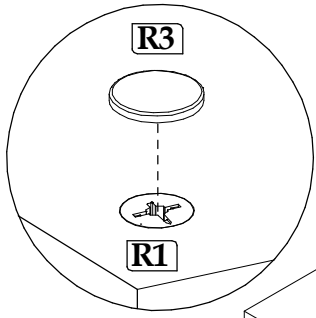
B
ø8x30

14

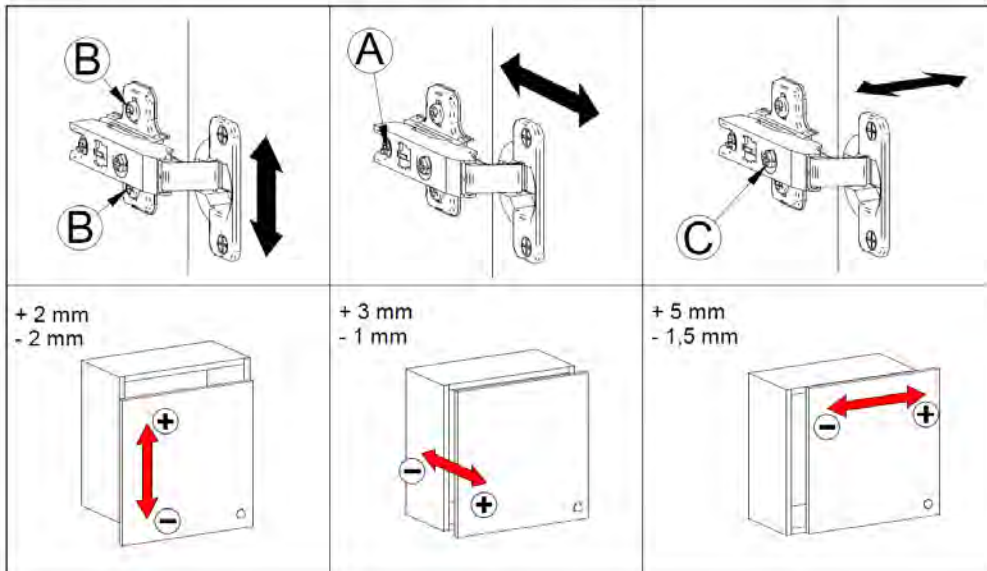
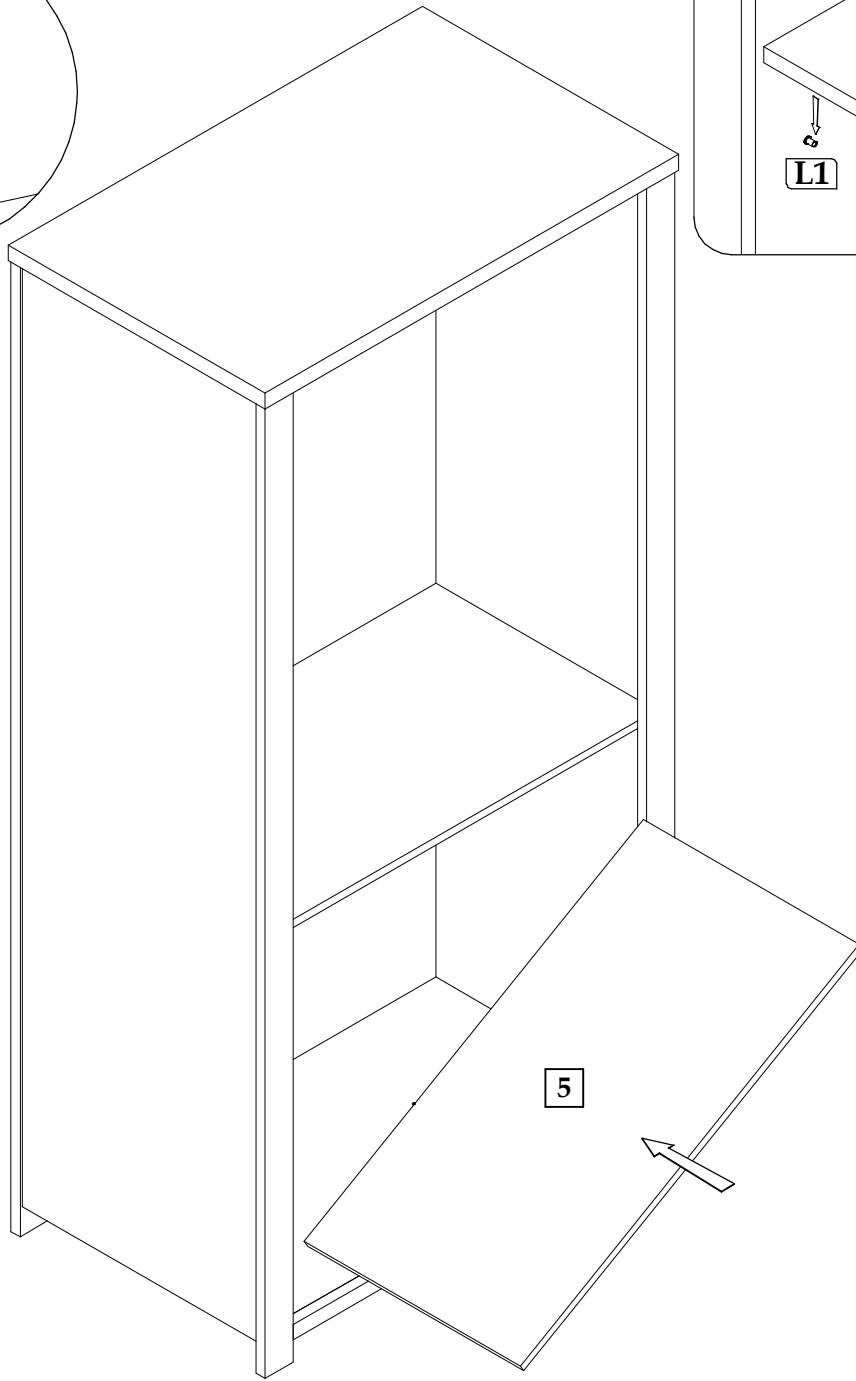


▶ 11

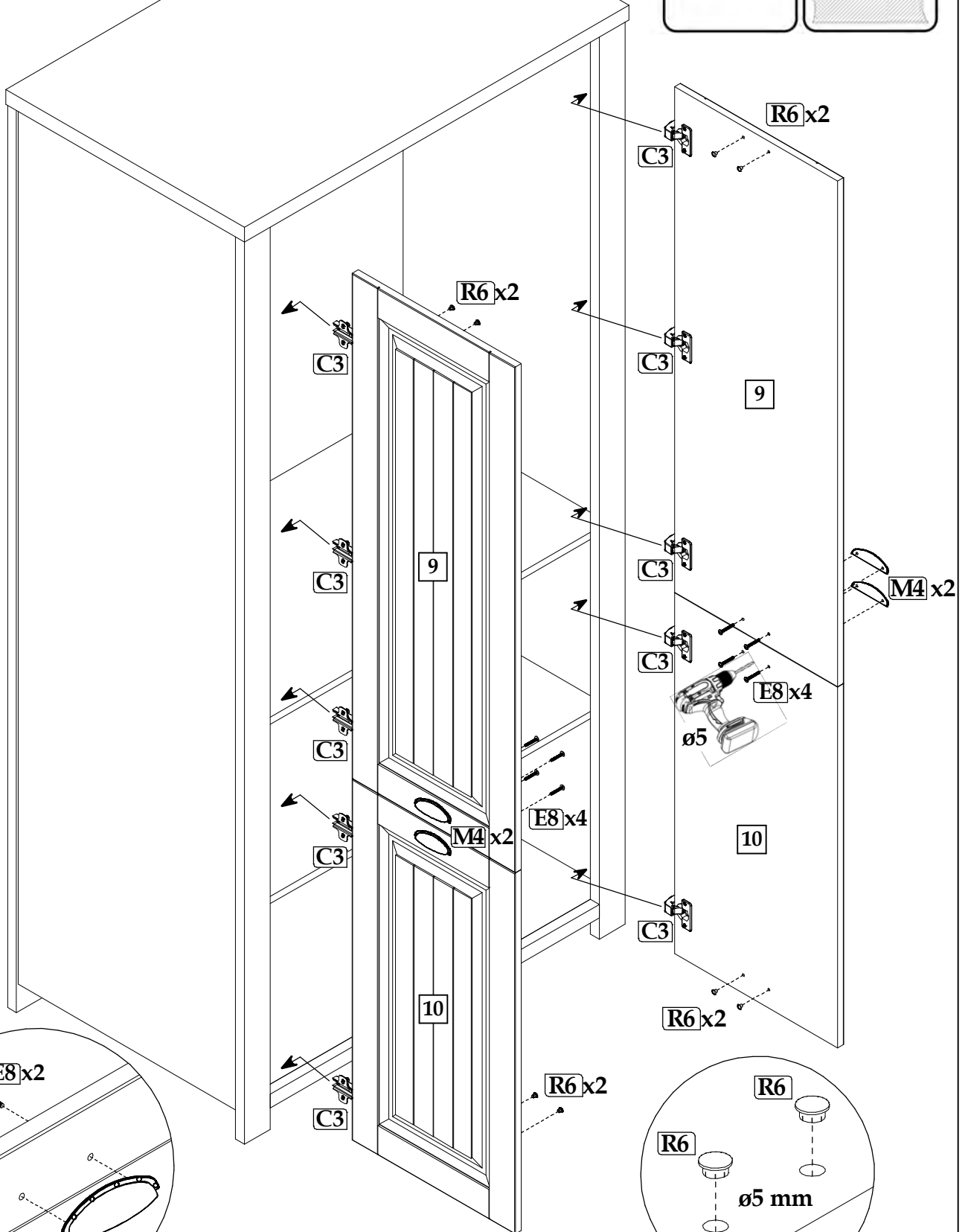
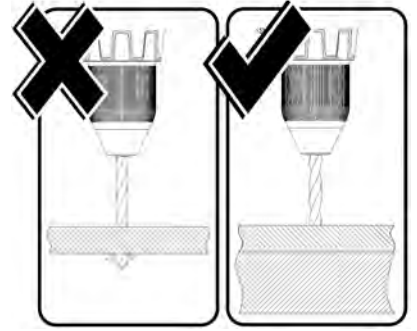
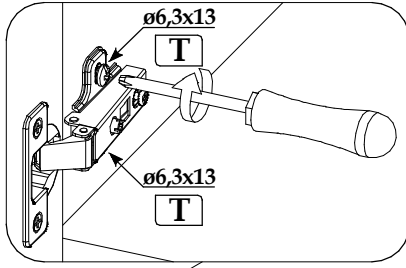




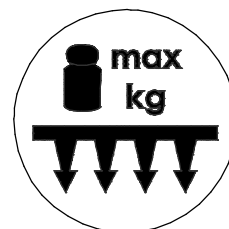
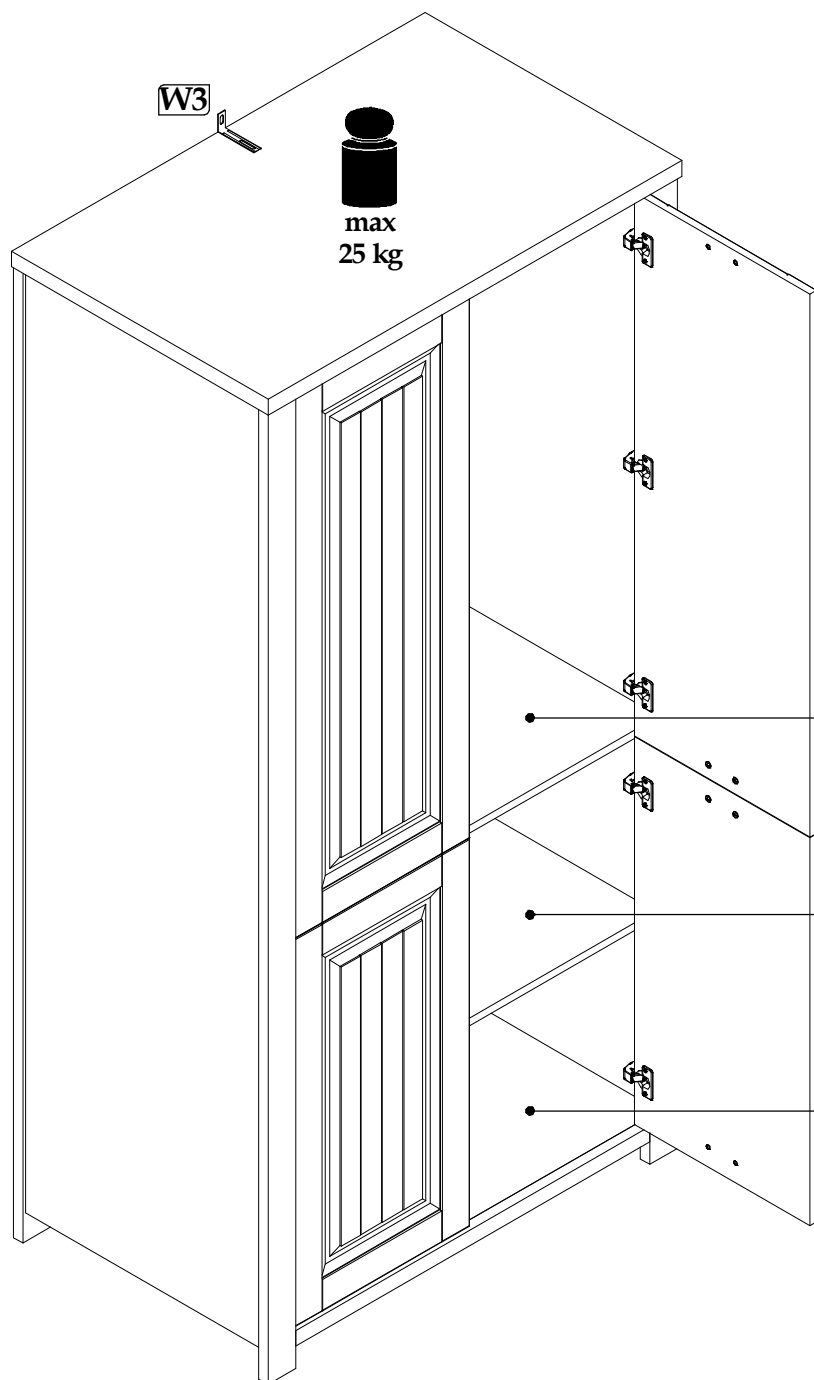
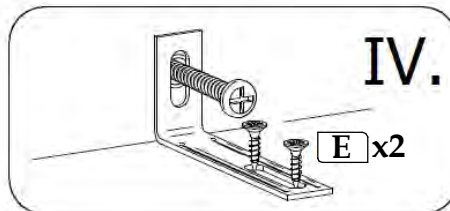
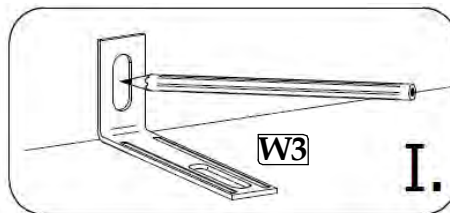
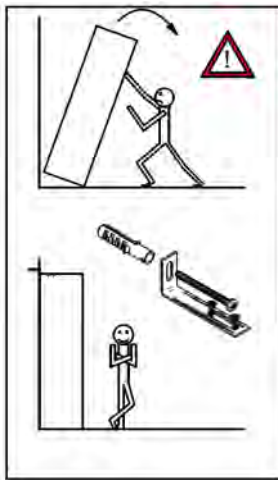
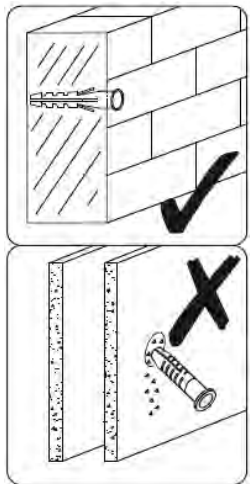
▶ 12



▶ 13



▶ 14



max
10 kg

max
5 kg

max
10 kg

