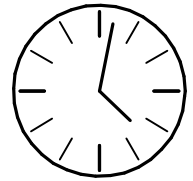
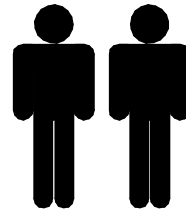
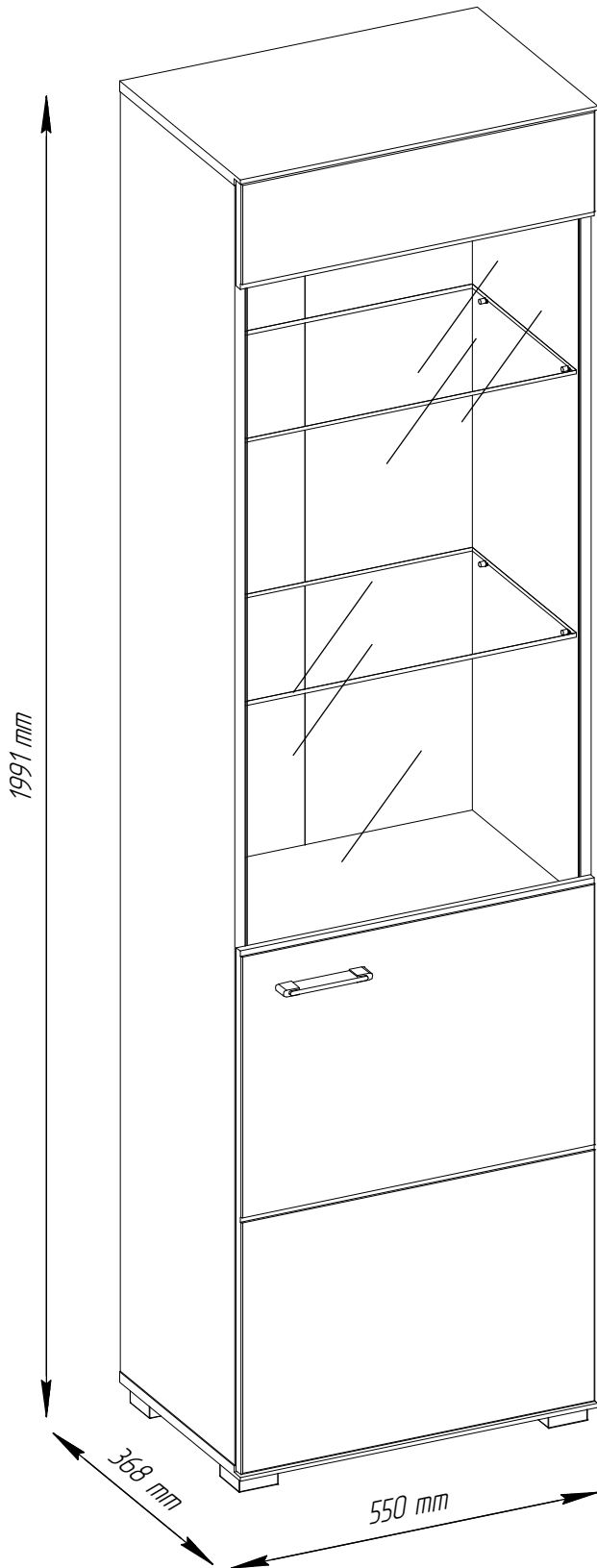
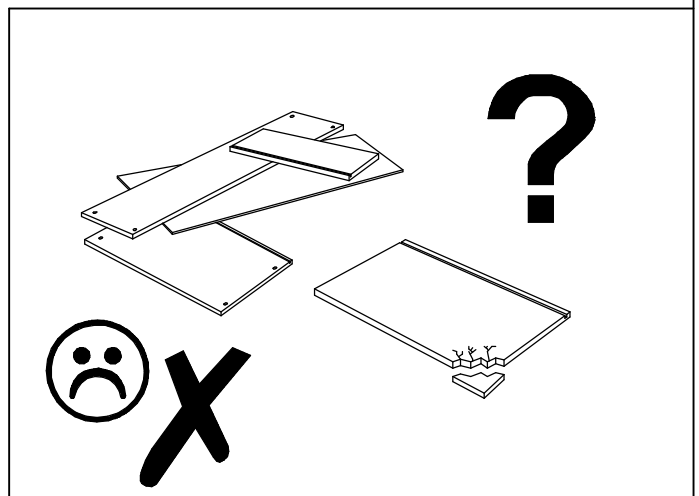
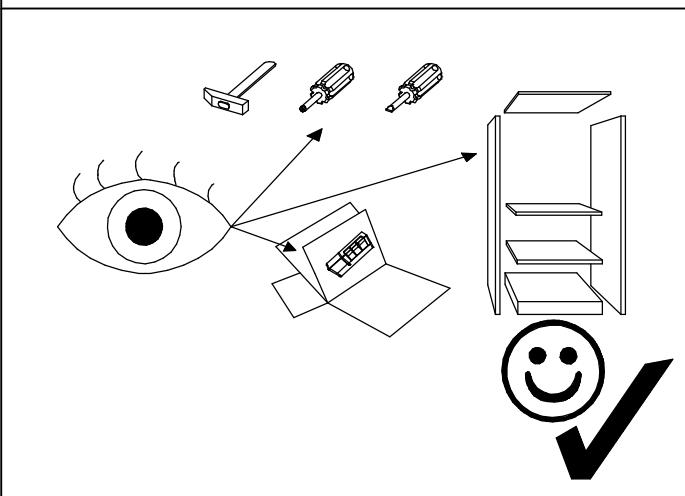
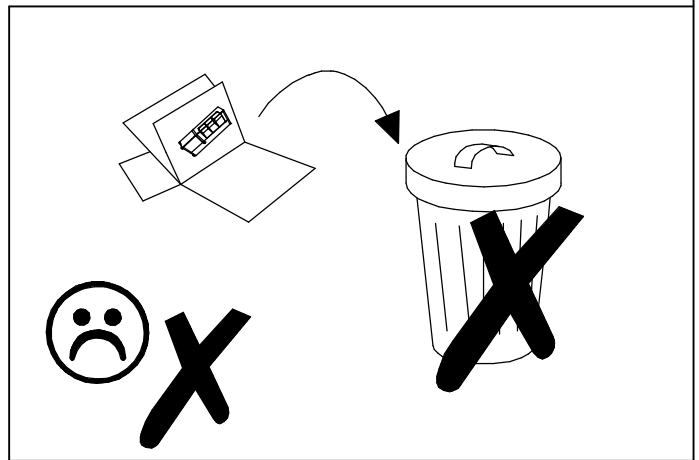
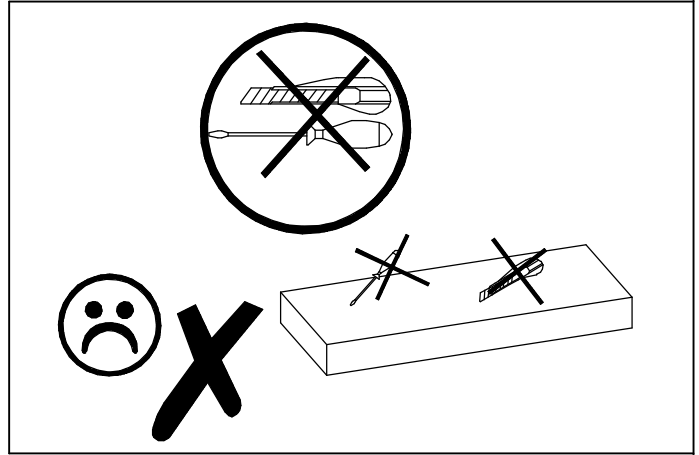
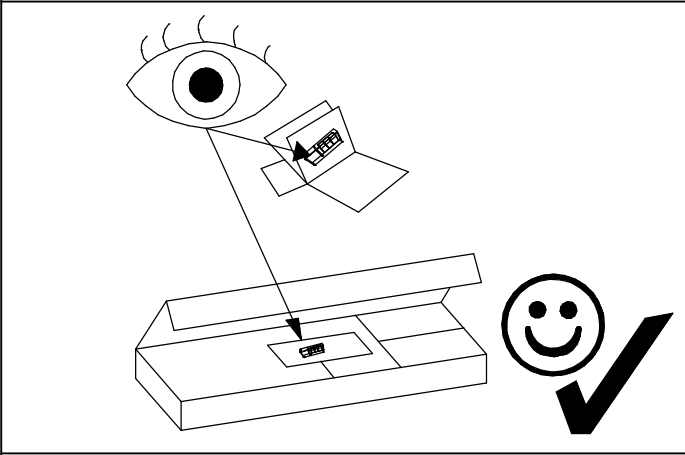


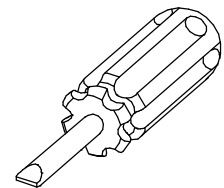
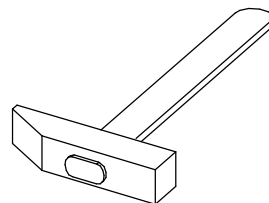
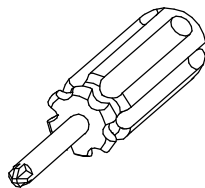
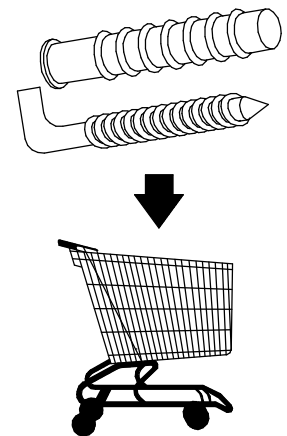
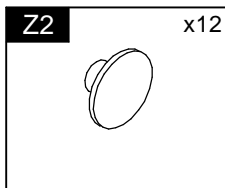
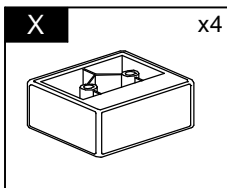
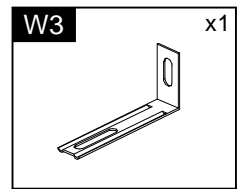
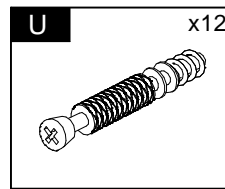
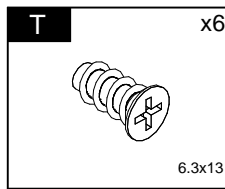
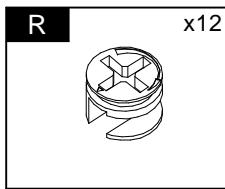
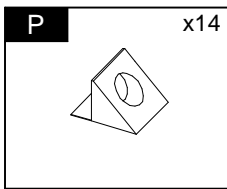
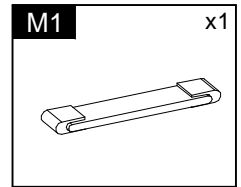
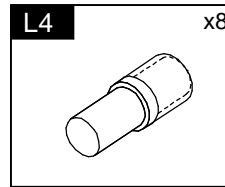
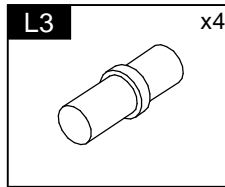
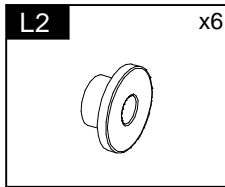
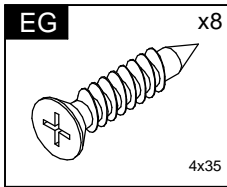
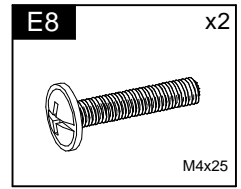
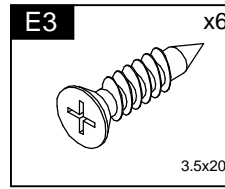
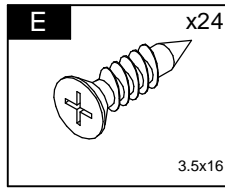
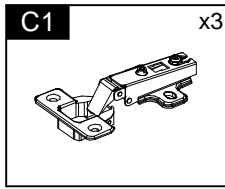
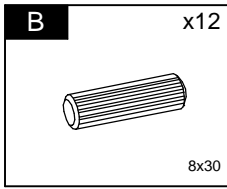
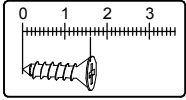
CONCORD

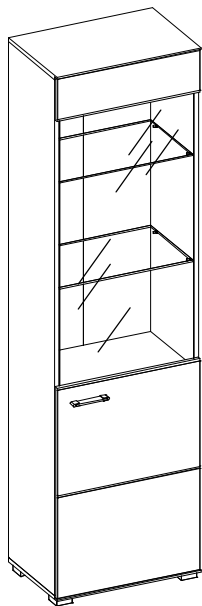
Typ A2



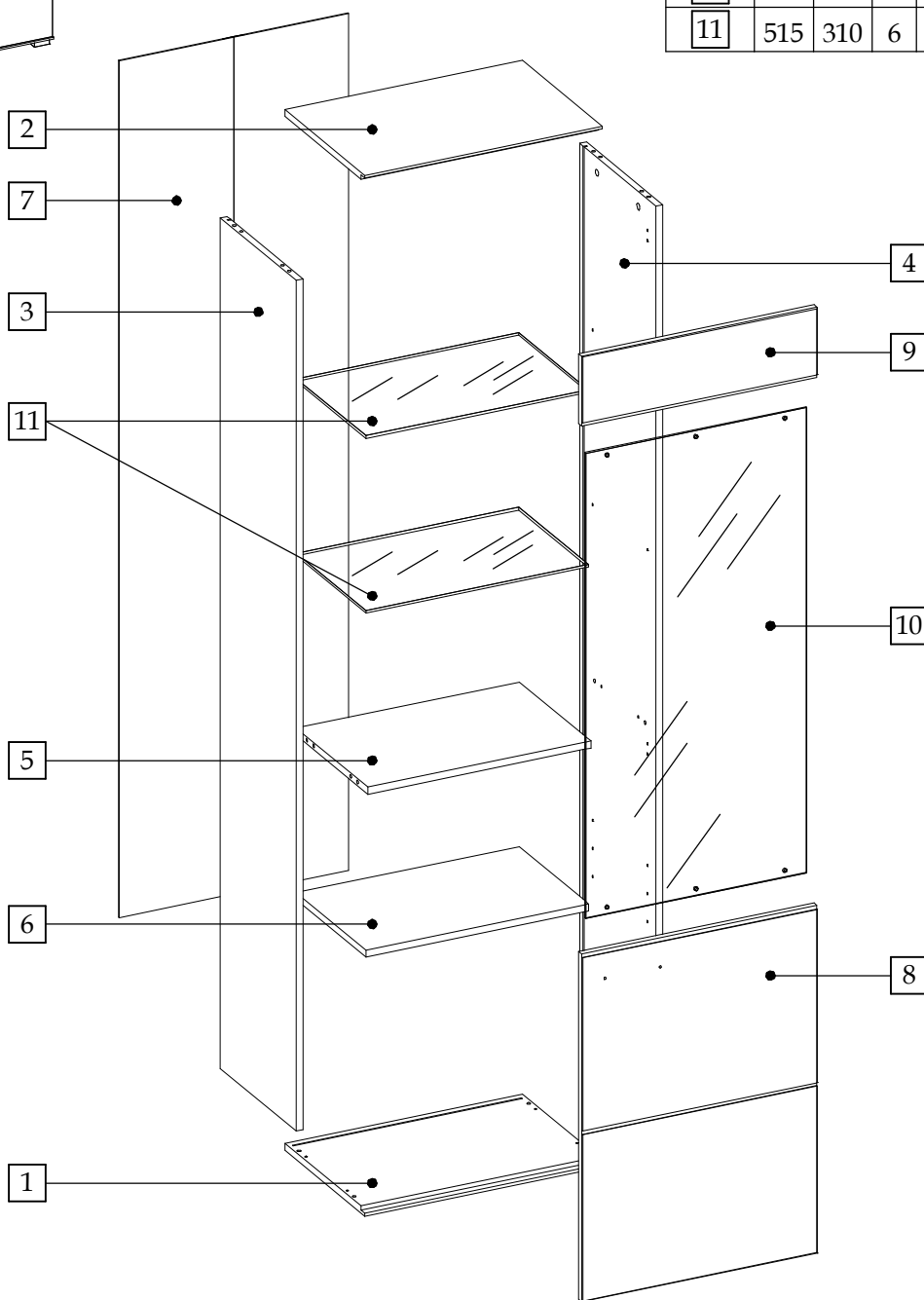
60 min





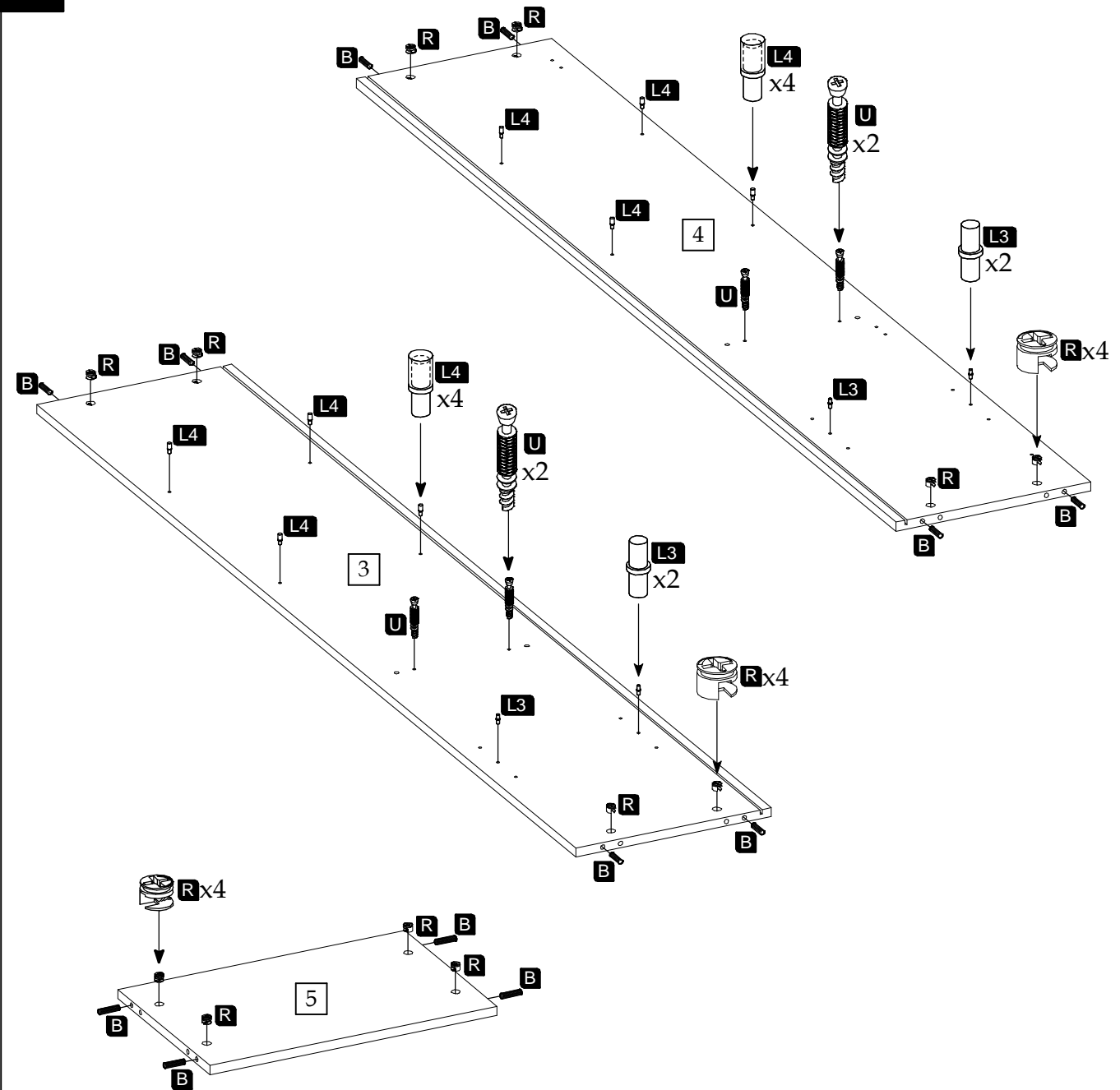


Element symbol	Measurements				Code	Paket
	1	2	3	4		
1	550	368	16	1	1002	1/3
2	550	368	16	1	1003	1/3
3	1934	351	16	1	1004	1/3
4	1934	351	16	1	1005	1/3
5	516	330.5	16	1	1001	1/3
6	516	320	16	1	N/A	1/3
7	1948	530	3	1	N/A	1/3
8	790	545	16	1	1001/3001	2/3
9	545	160	16	1	1002/3002	2/3
10	1060	512	4	1	Glass	3/3
11	515	310	6	2	Glass	3/3

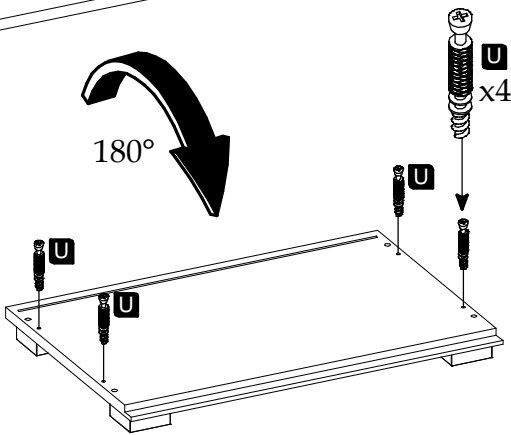
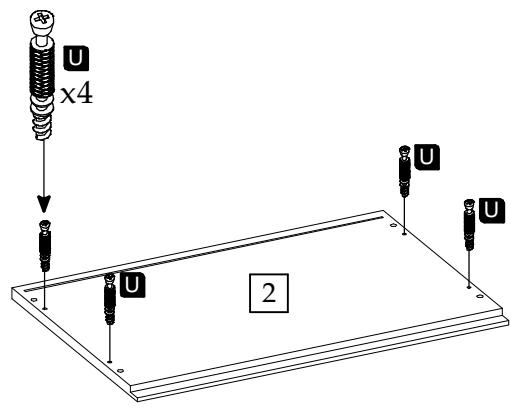
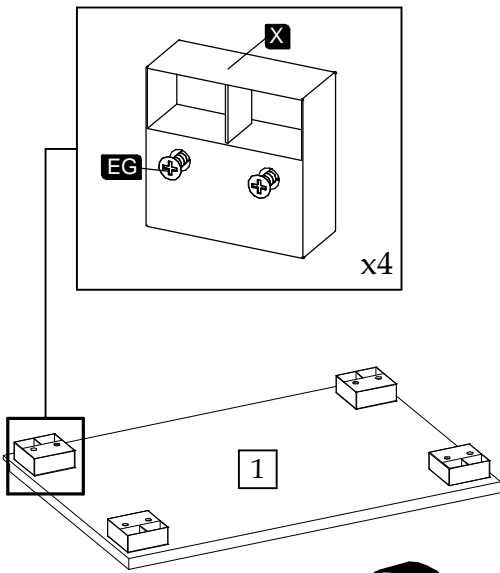




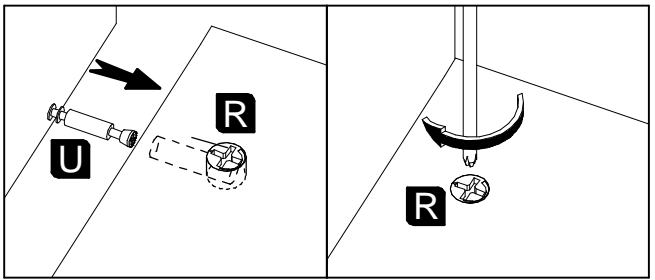
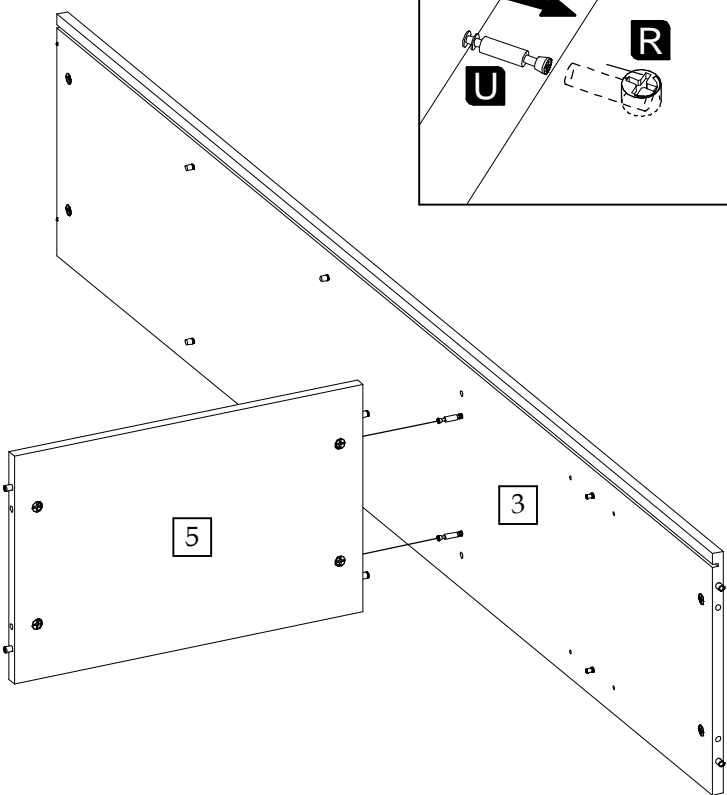
1



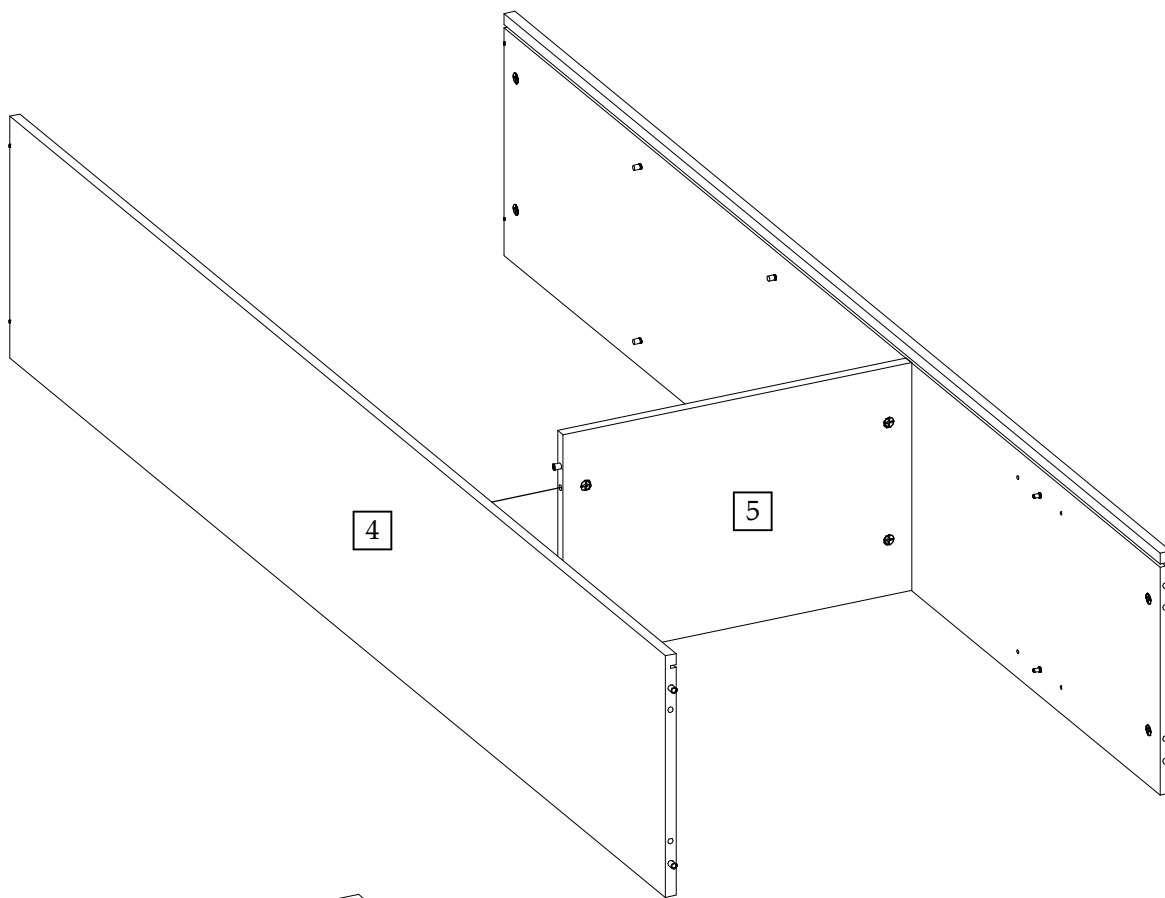
2



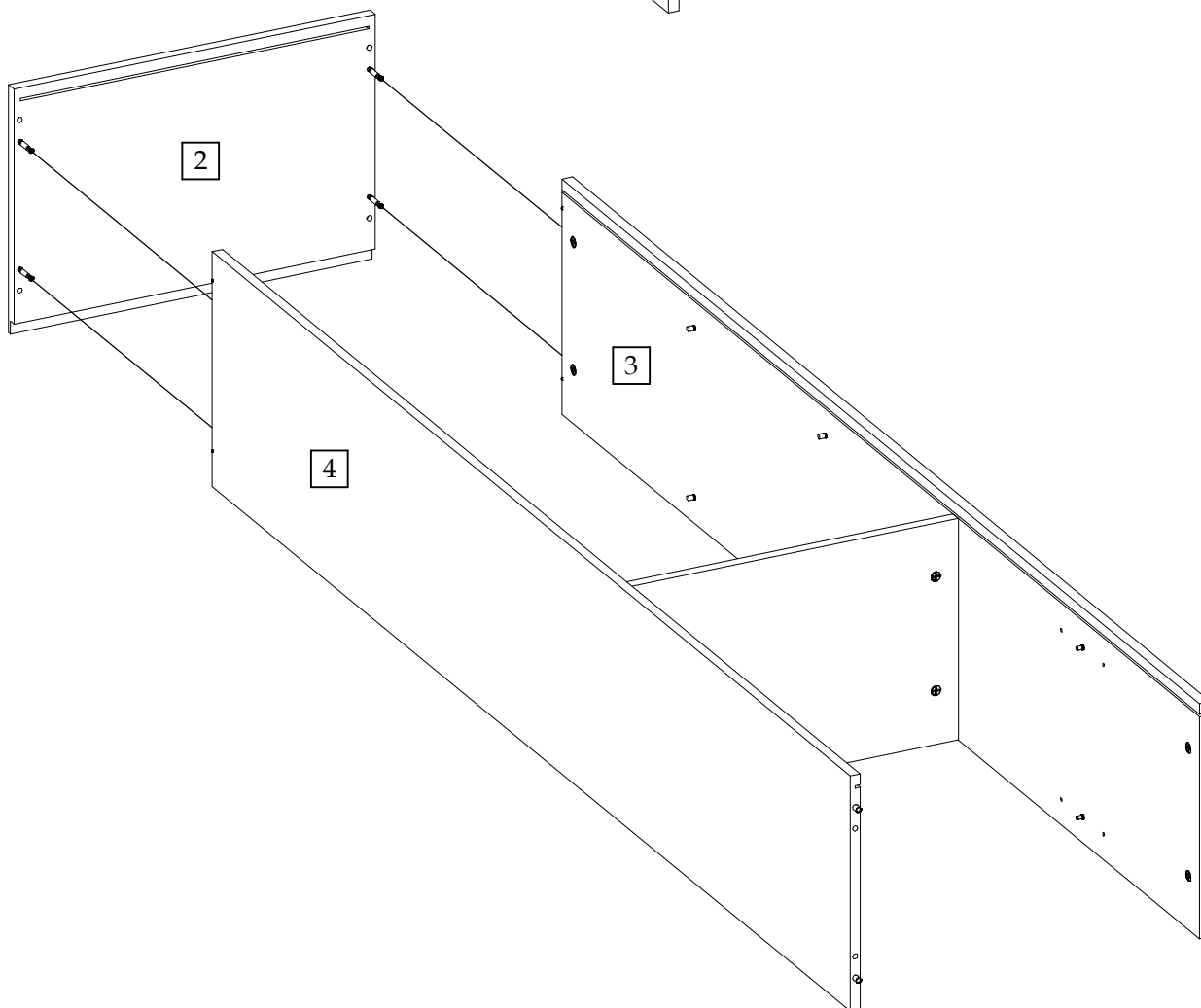
3



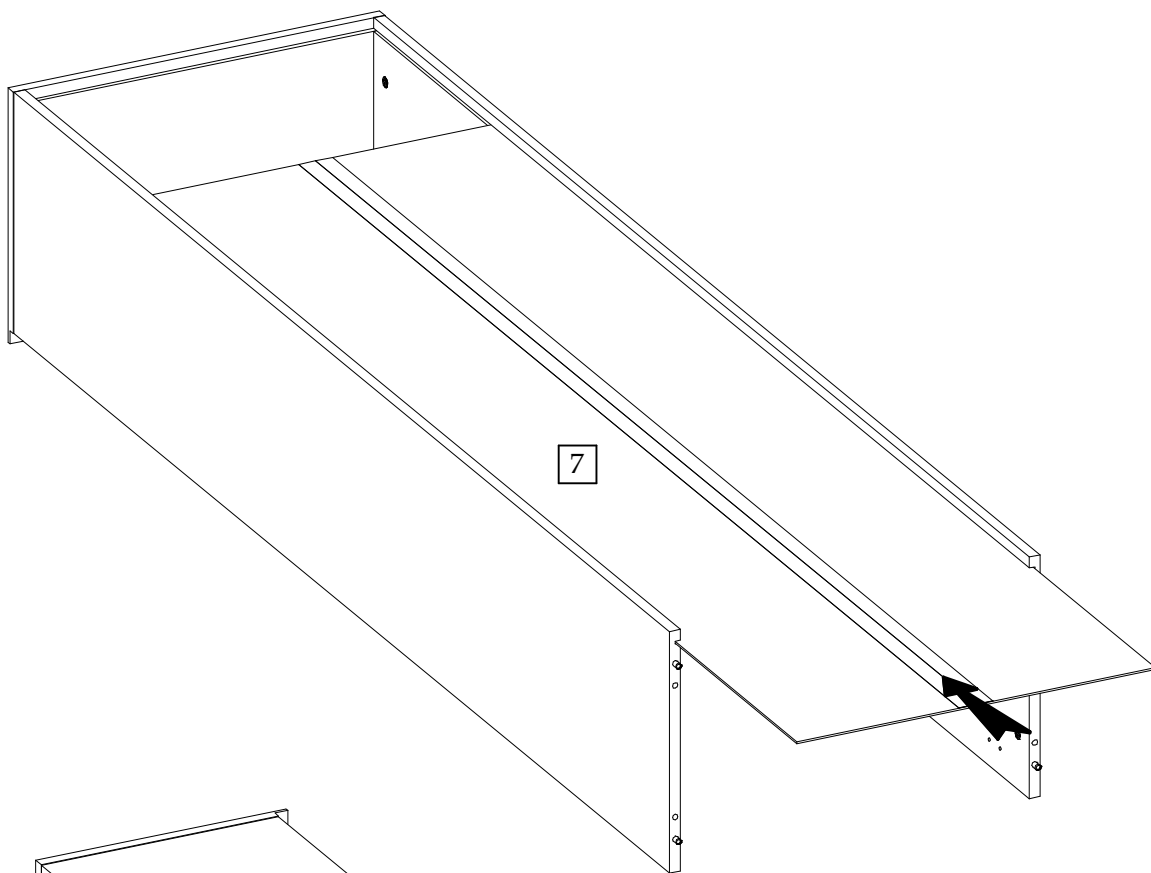
4



5



6



7

