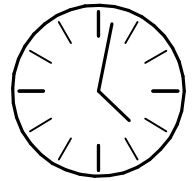
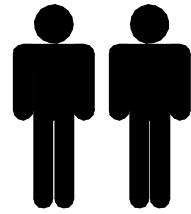
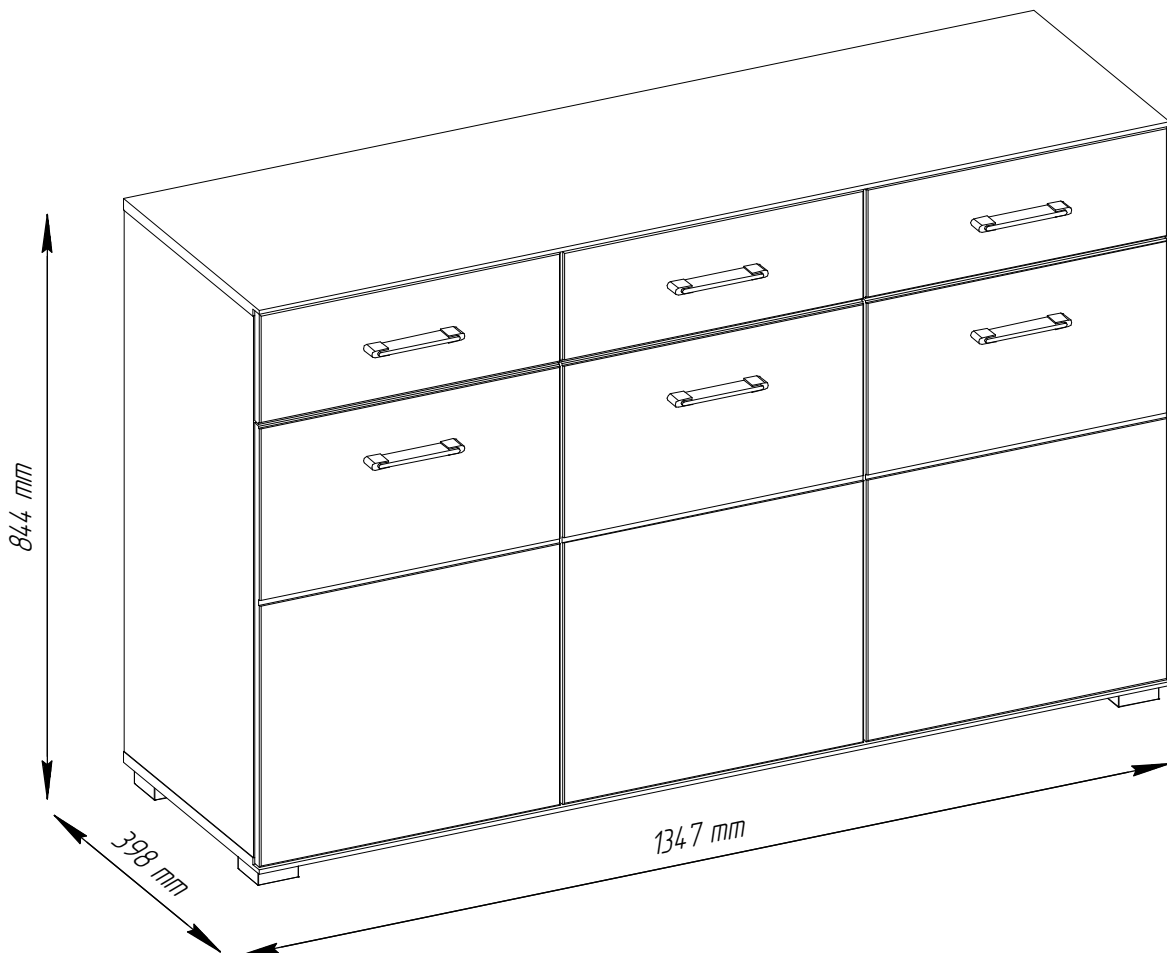


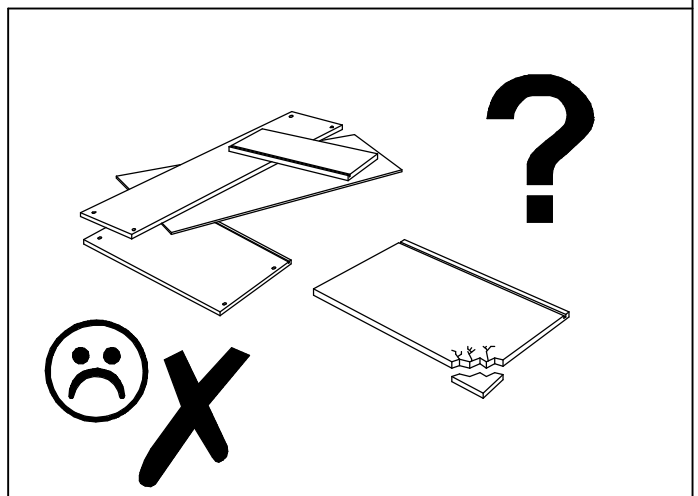
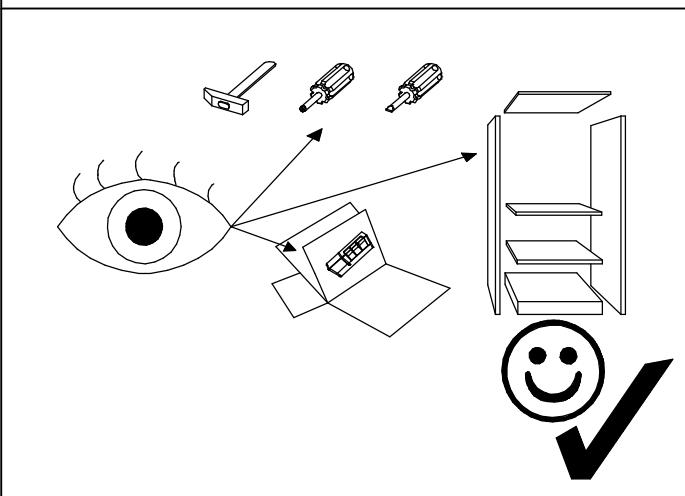
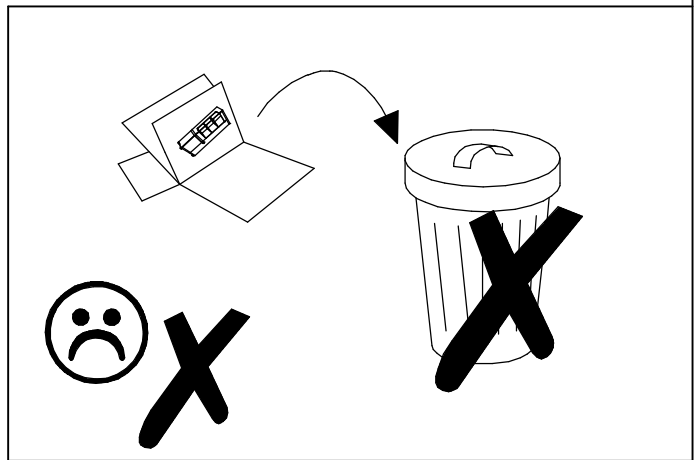
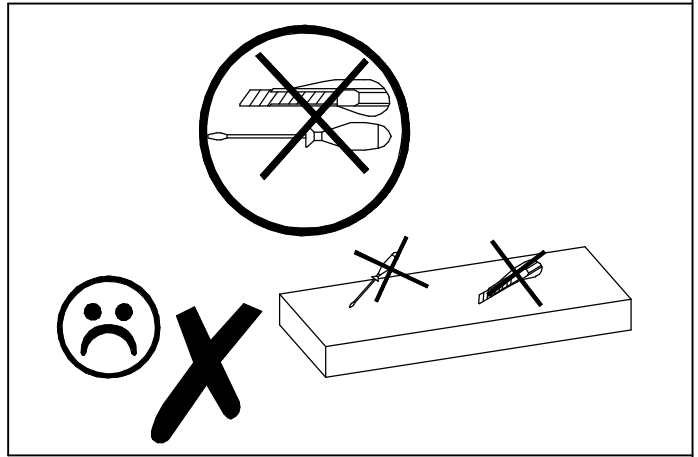
# CONCORD

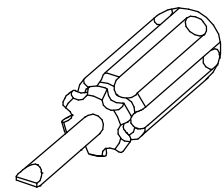
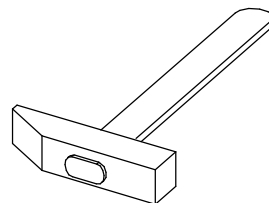
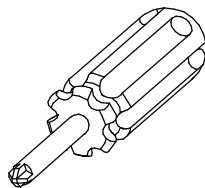
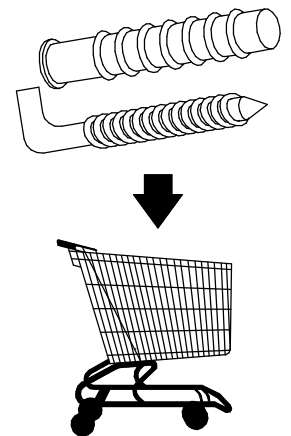
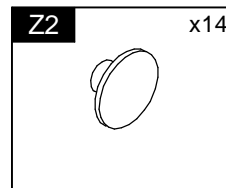
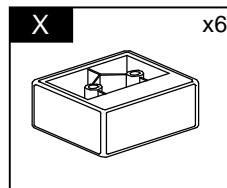
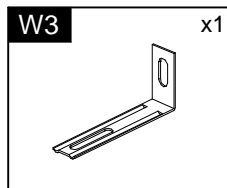
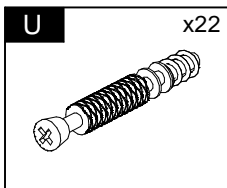
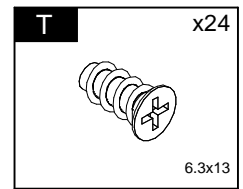
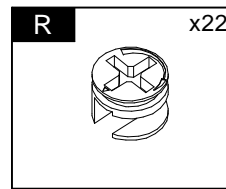
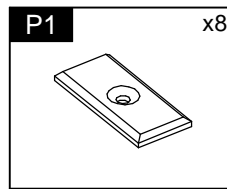
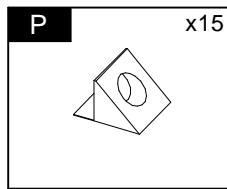
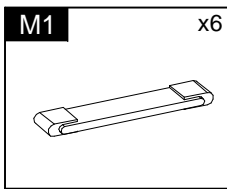
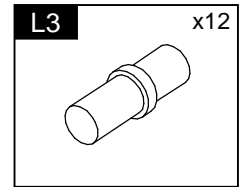
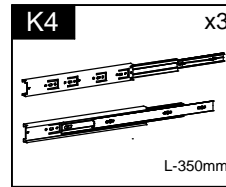
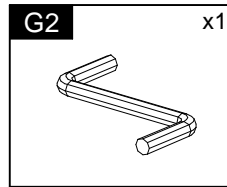
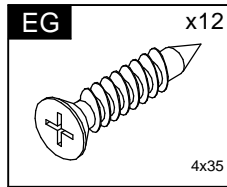
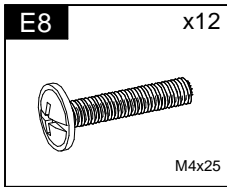
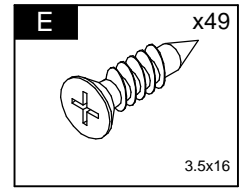
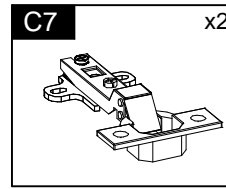
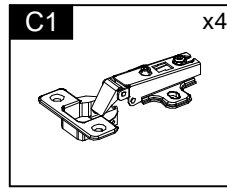
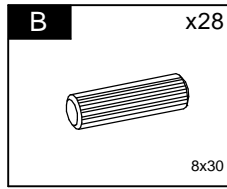
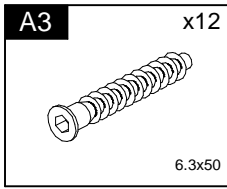
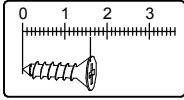
Typ E



140 min

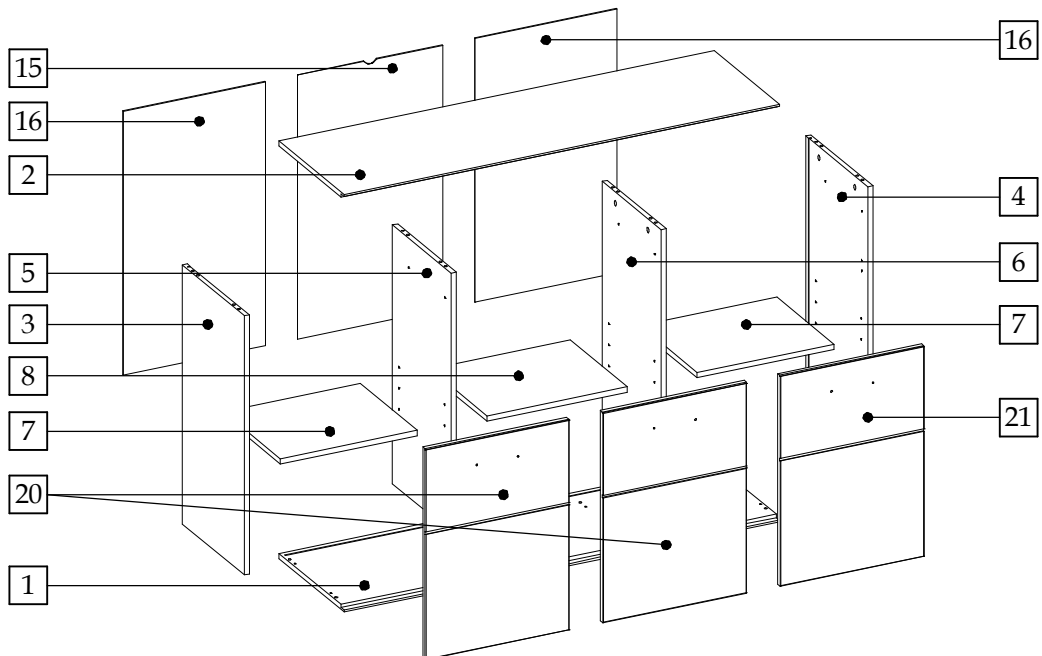
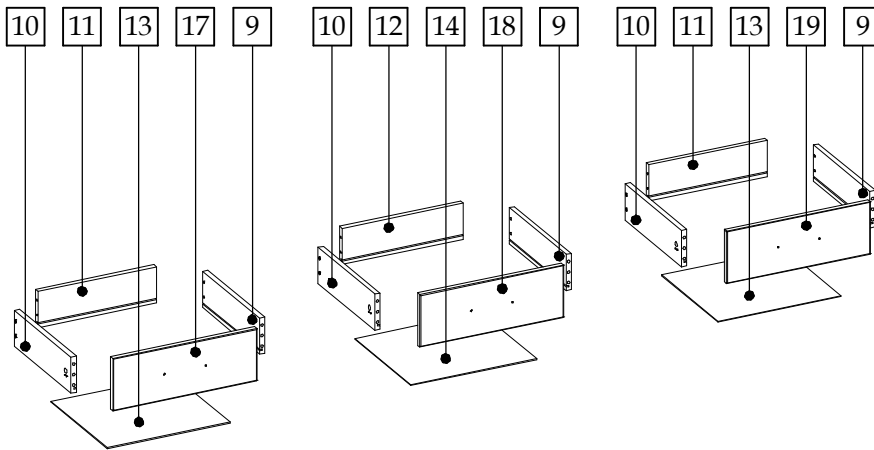


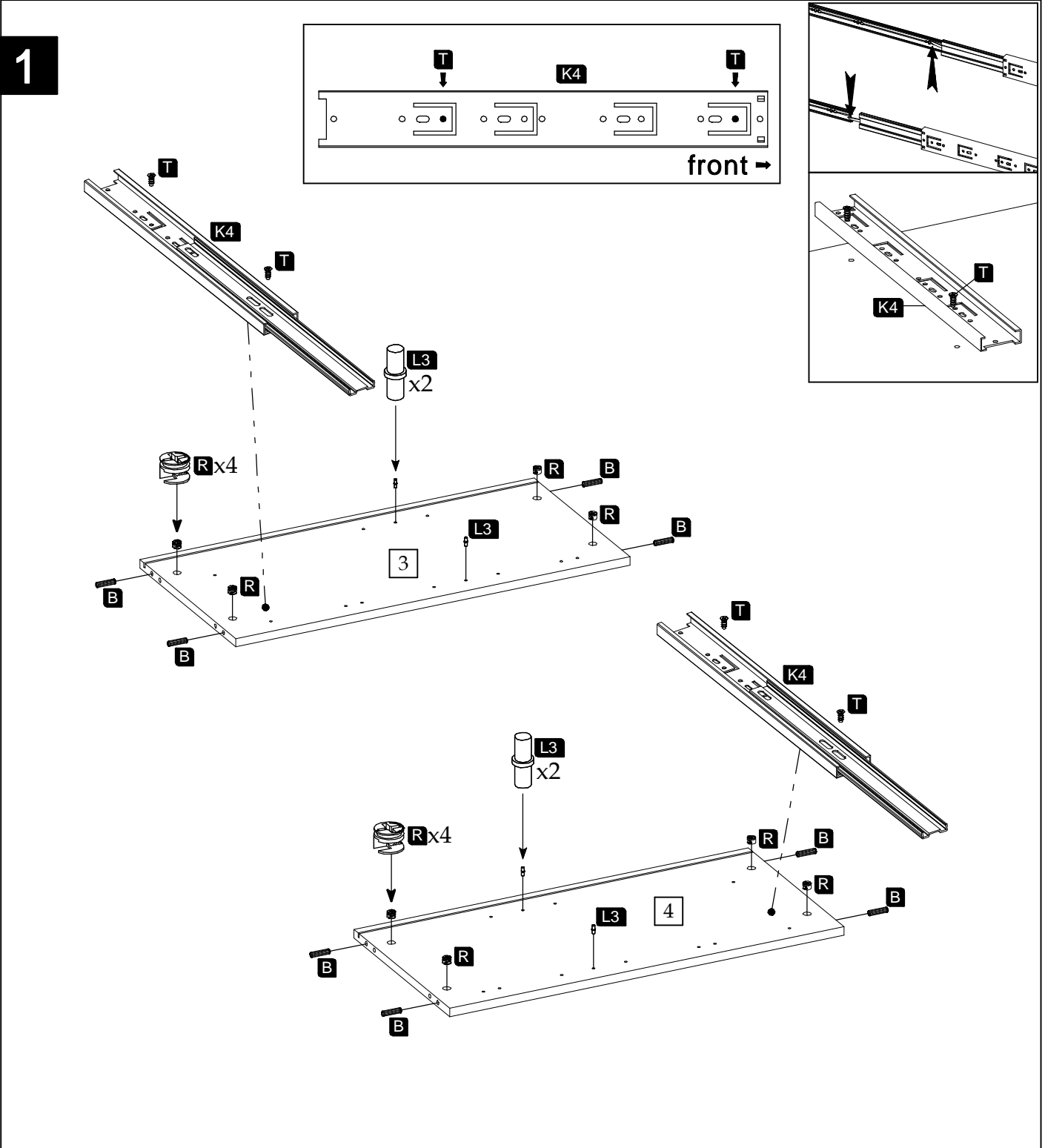
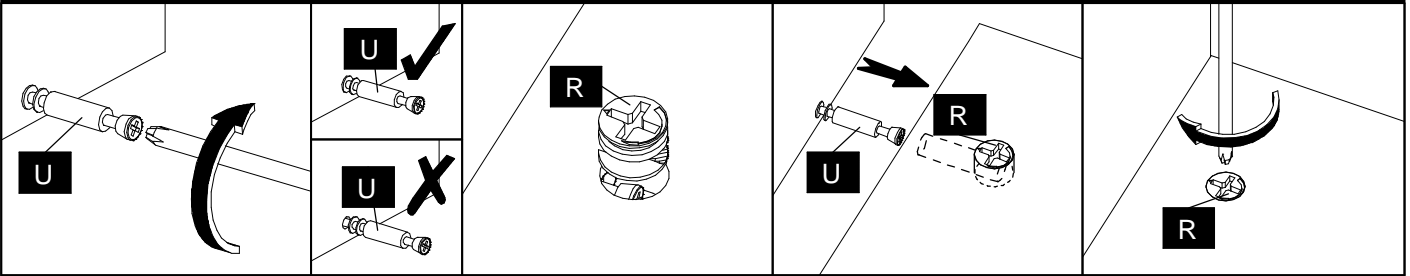


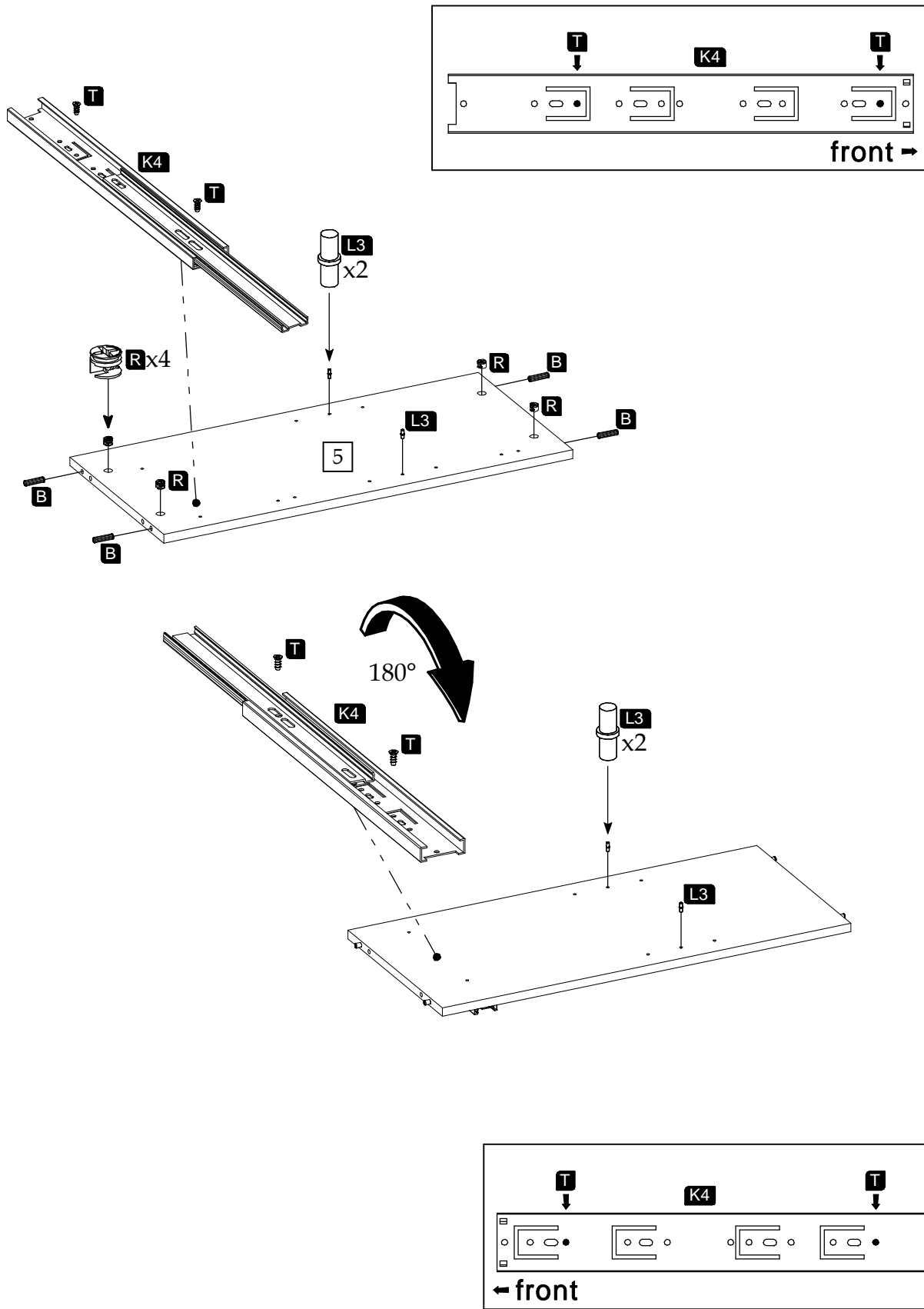


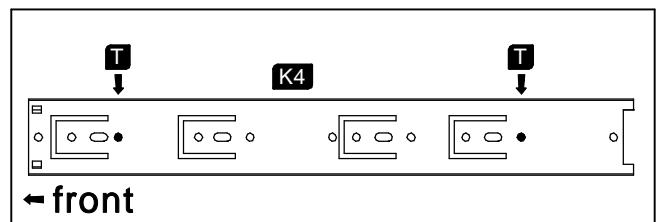
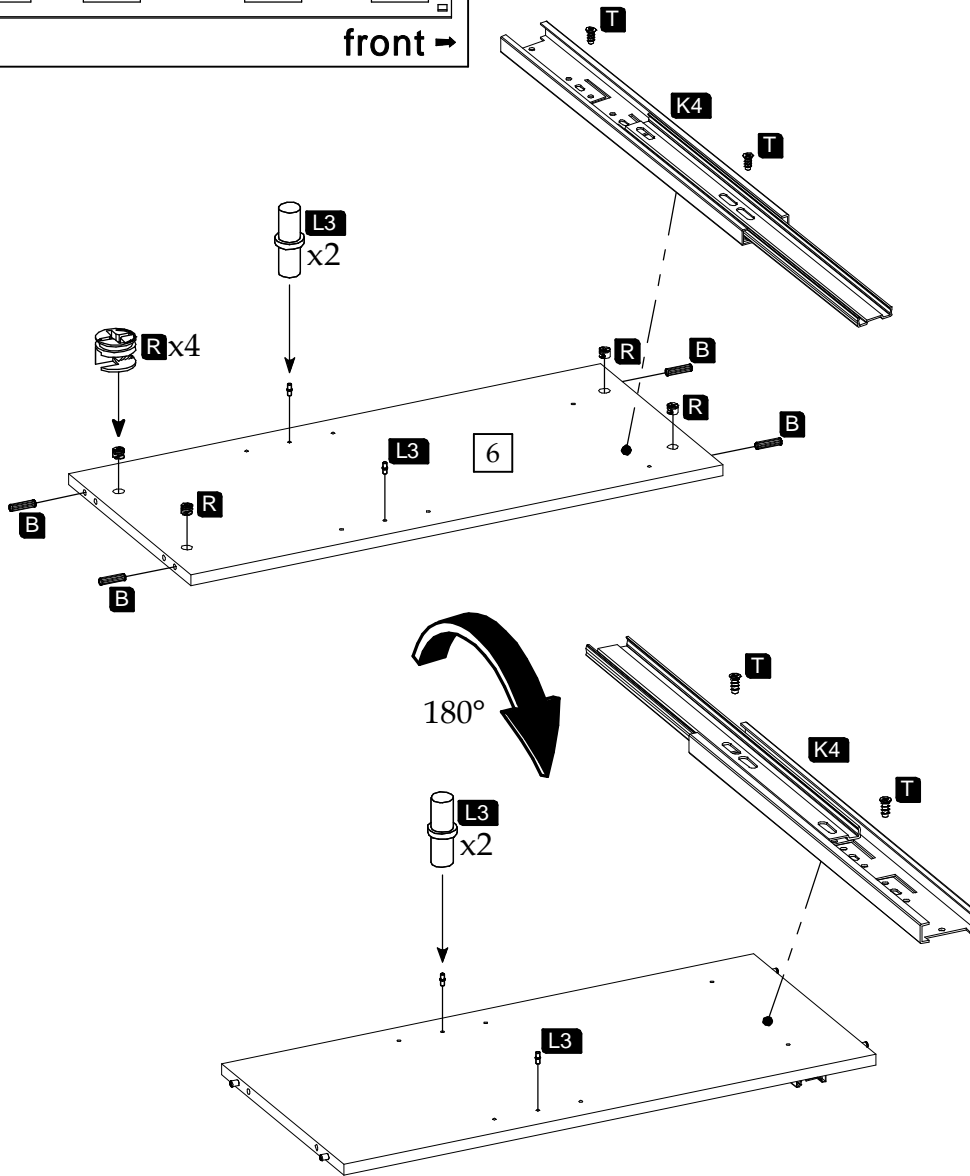
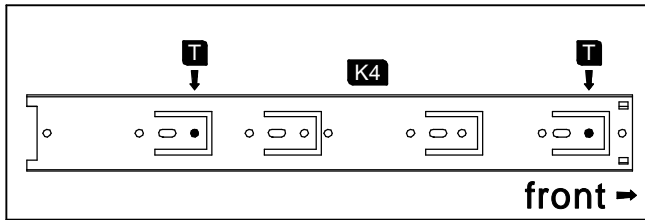
Element symbol	Measurements				Code	Paket
1	1347	398	16	1	1001	1/2
2	1347	398	16	1	1002	1/2
3	787	381	16	1	1003	1/2
4	787	381	16	1	1004	1/2
5	787	361	16	1	1005	1/2
6	787	361	16	1	1006	1/2
7	423.5	350	16	2	N/A	1/2
8	423.5	350	16	1	N/A	1/2
9	350	110	16	3	1011	1/2
10	350	110	16	3	1013	1/2

11	366.5	110	16	2	1012	1/2
12	375.5	110	16	1	1019	1/2
13	380.5	346	3	2	N/A	2/2
14	389.5	346	3	1	N/A	2/2
15	801	448	3	1	1007	2/2
16	801	439	3	1	N/A	2/2
17	445	160	16	1	1008/3010	2/2
18	445	160	16	1	1008/3017	2/2
19	445	160	16	1	1008/3024	2/2
20	640	445	16	2	1009/3008	2/2
21	640	445	16	1	1009/3009	2/2

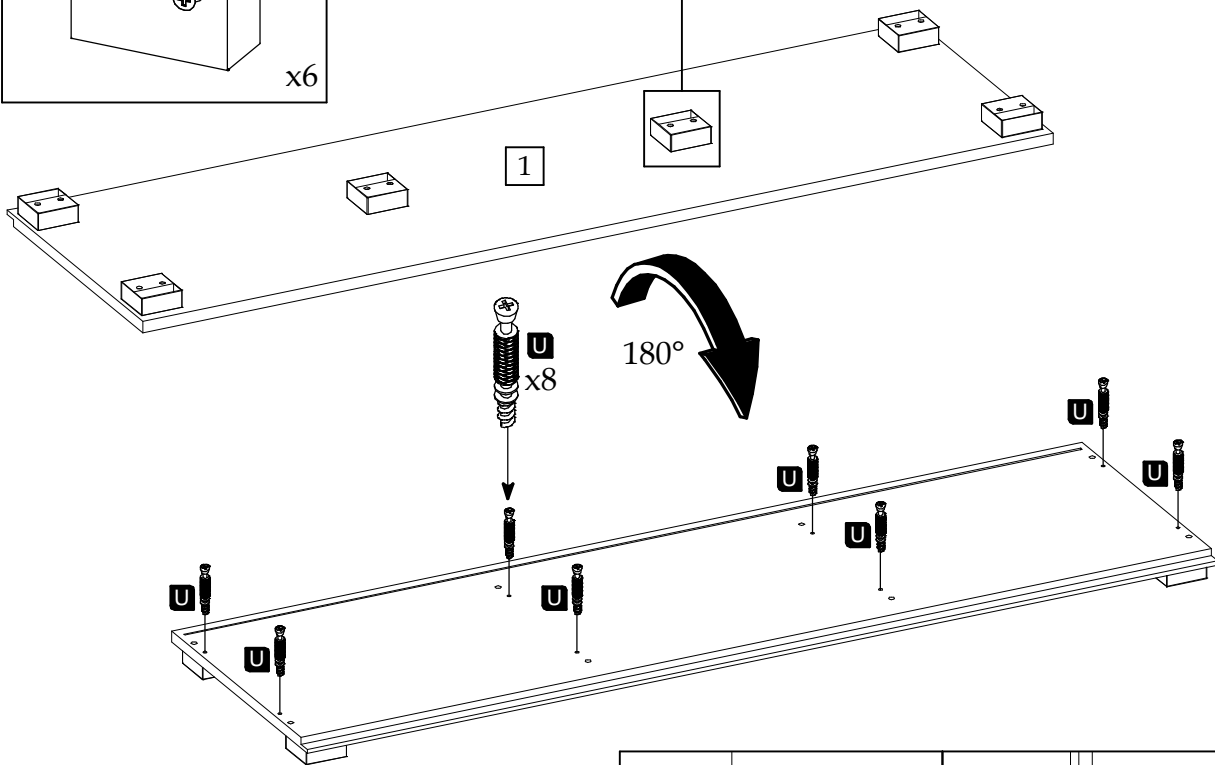
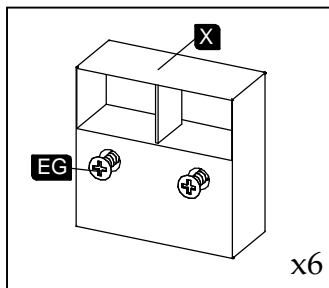




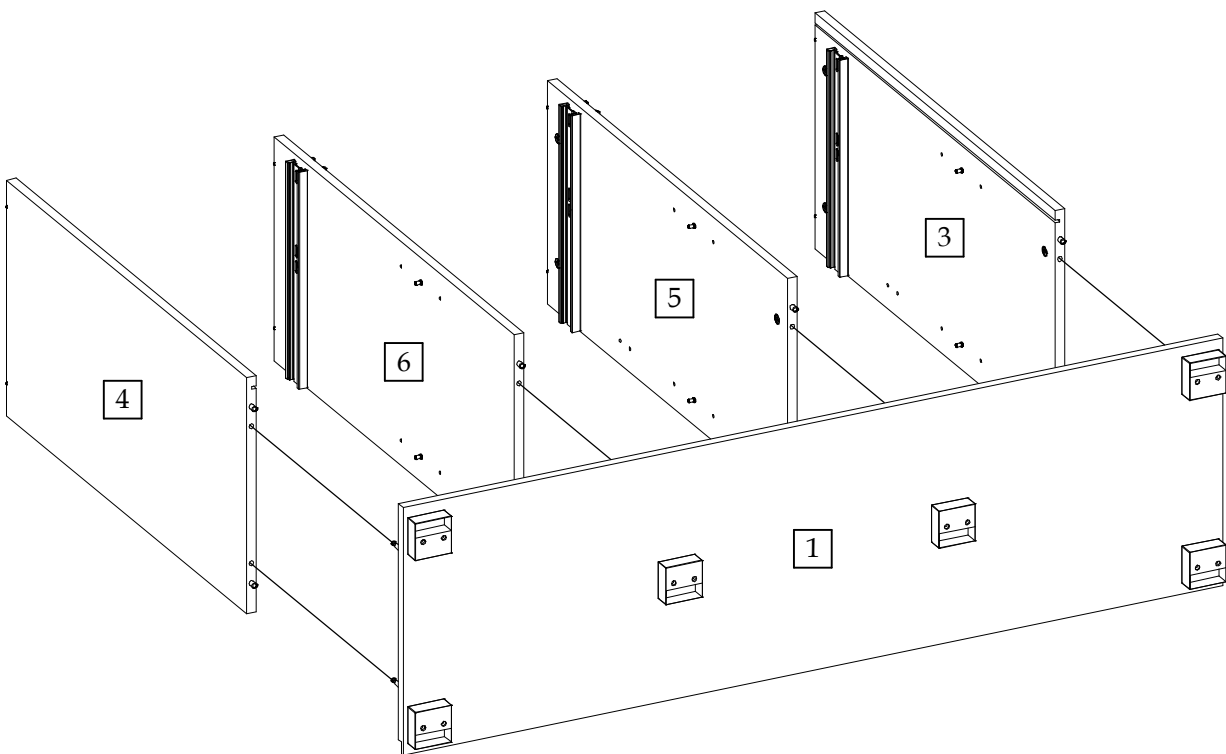
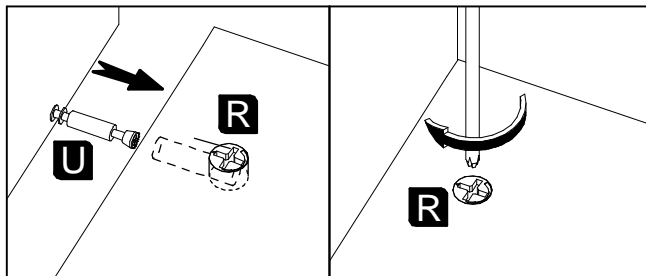




4

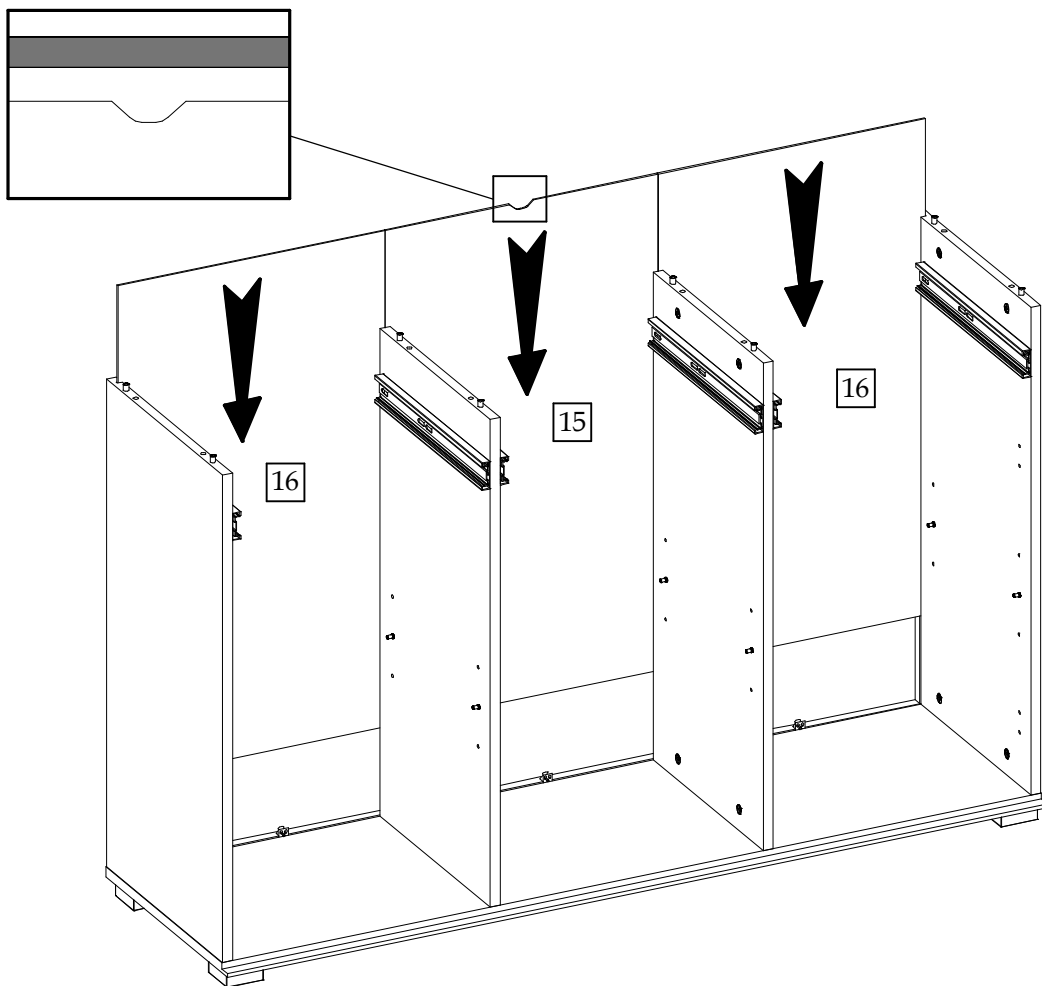


5

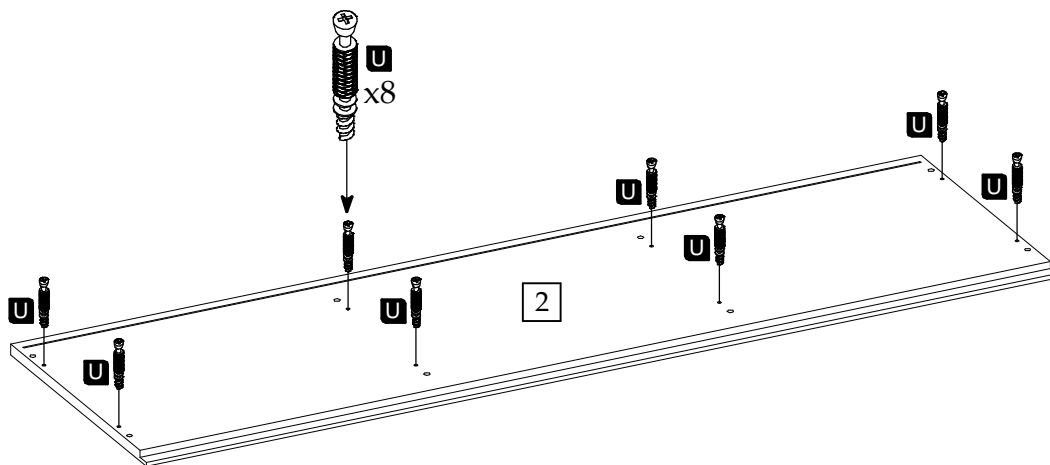




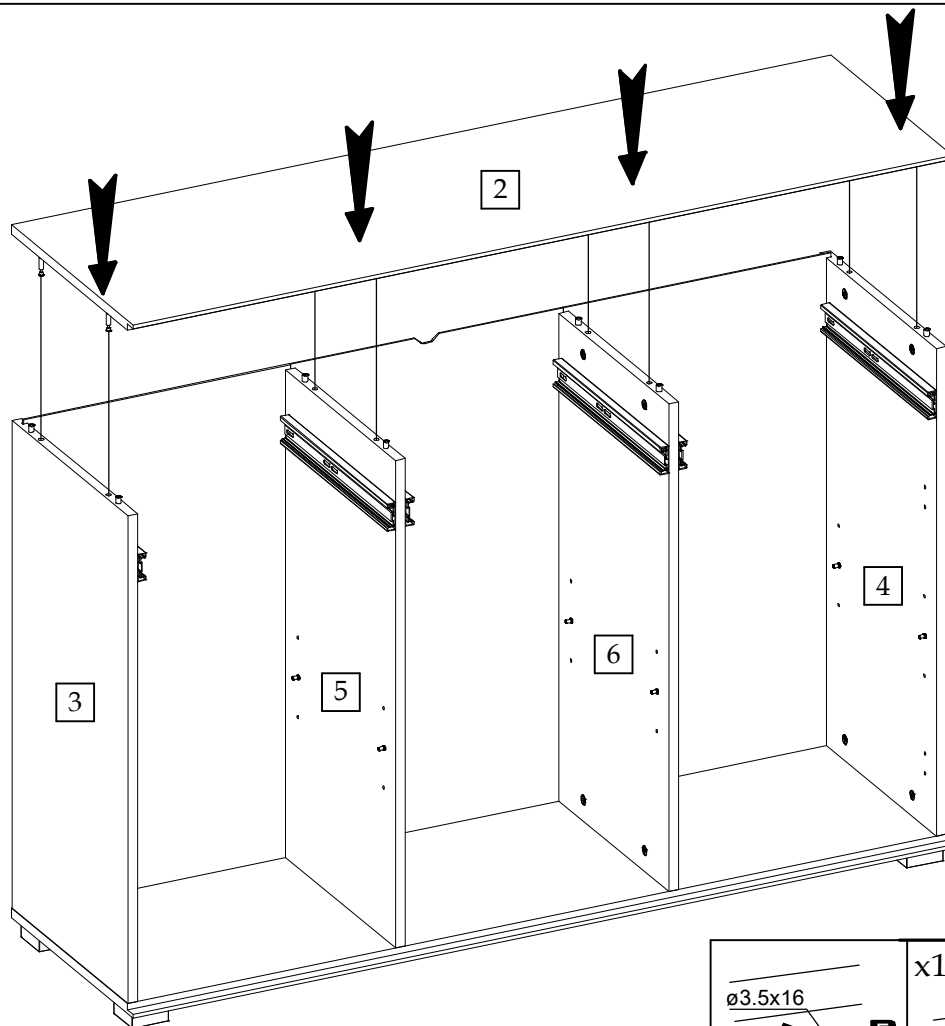
6



7



8



9

