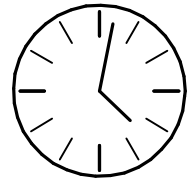
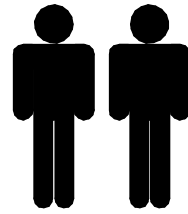
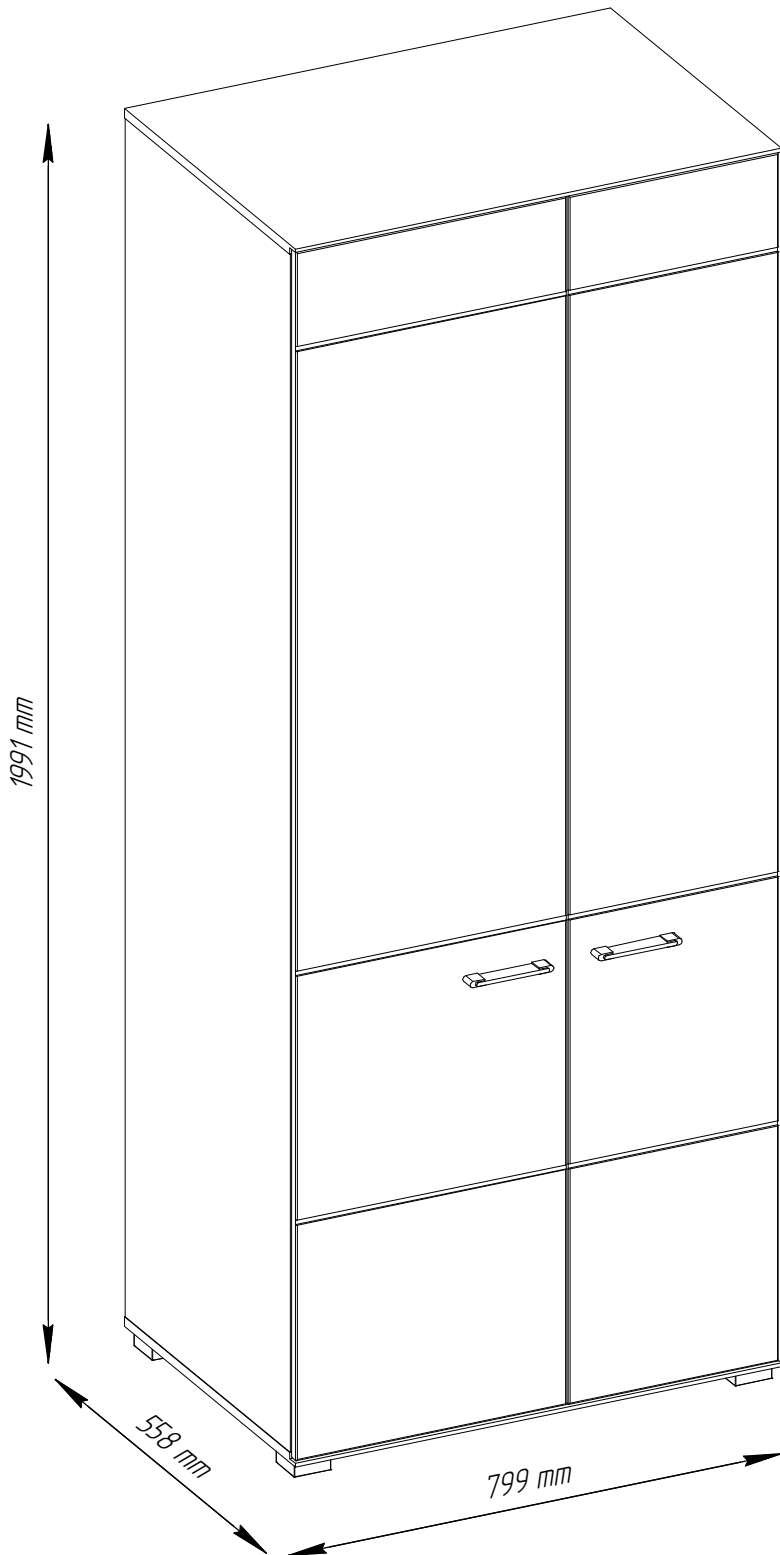
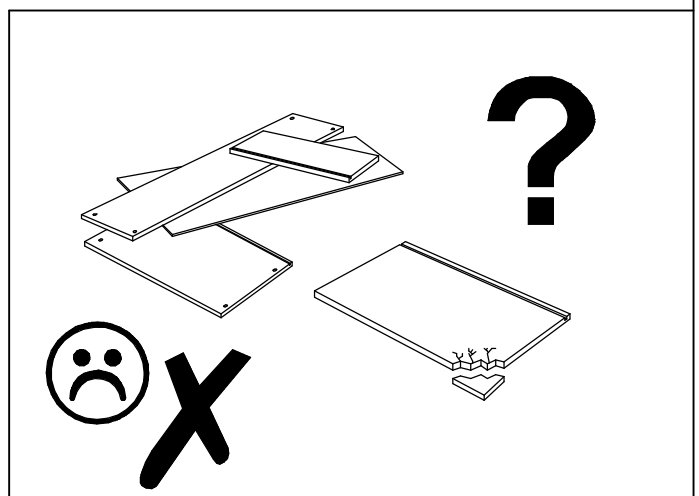
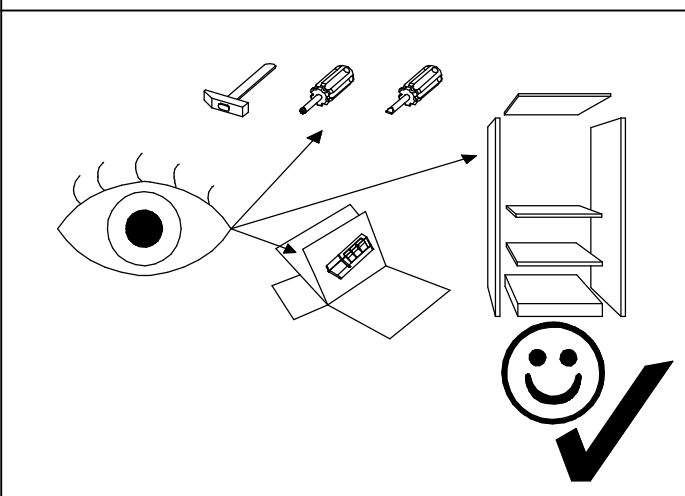
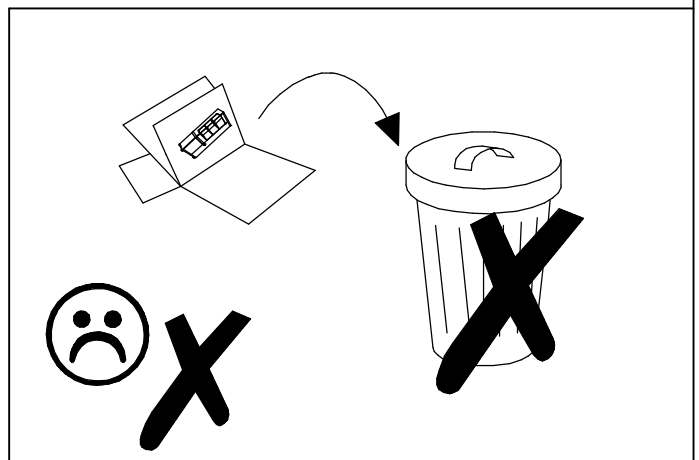
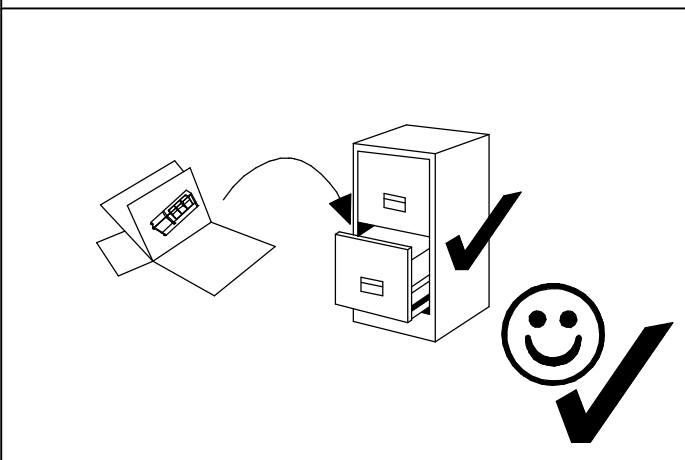
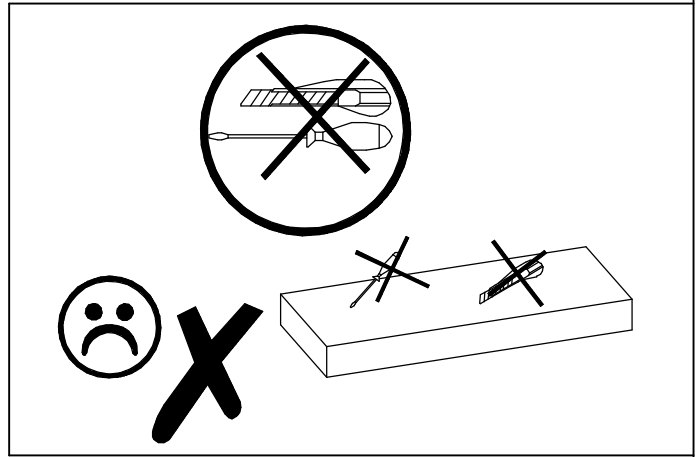
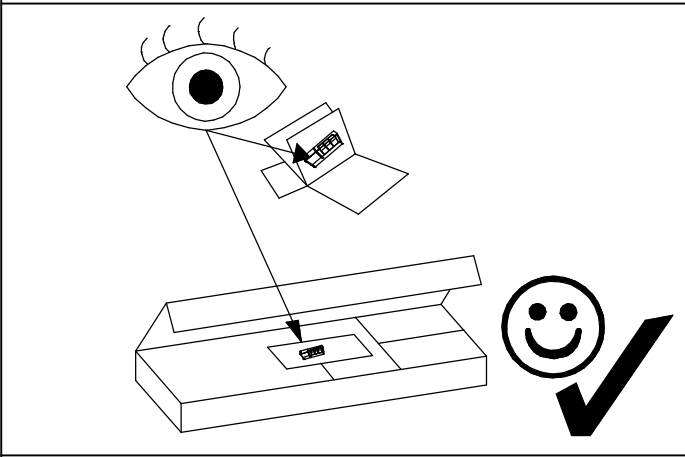


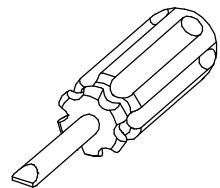
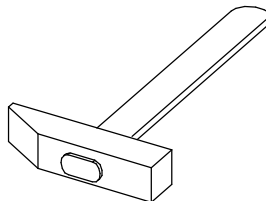
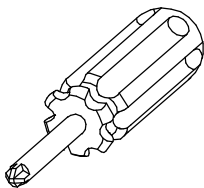
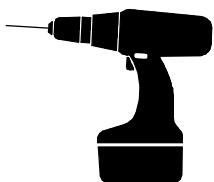
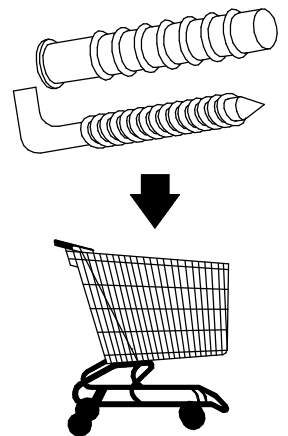
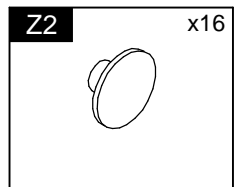
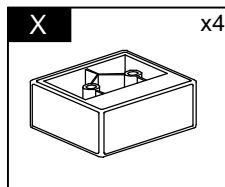
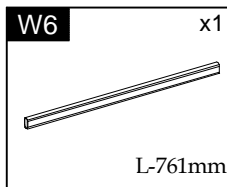
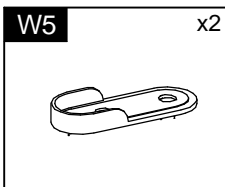
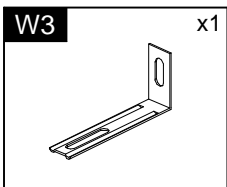
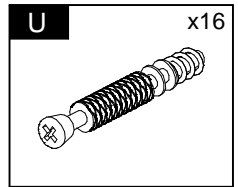
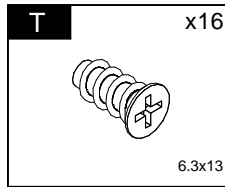
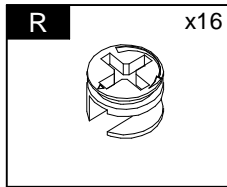
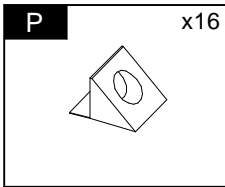
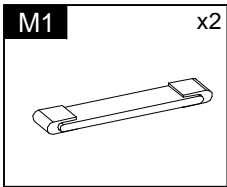
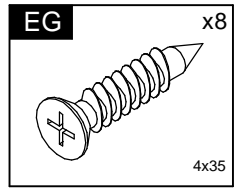
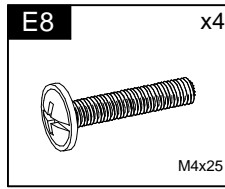
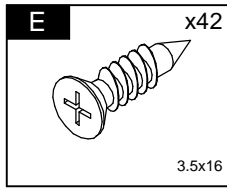
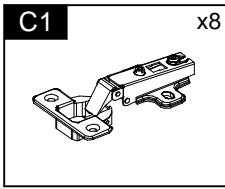
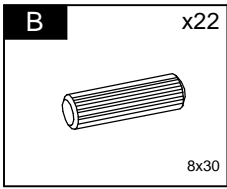
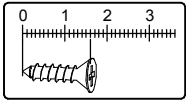
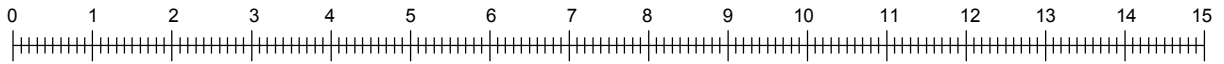
# CONCORD

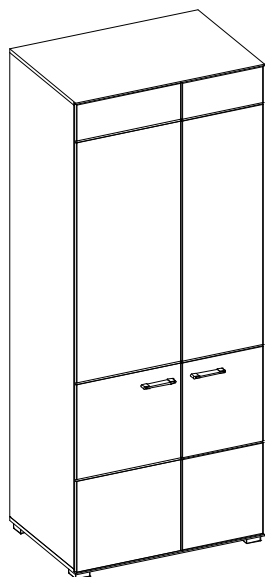
Typ F



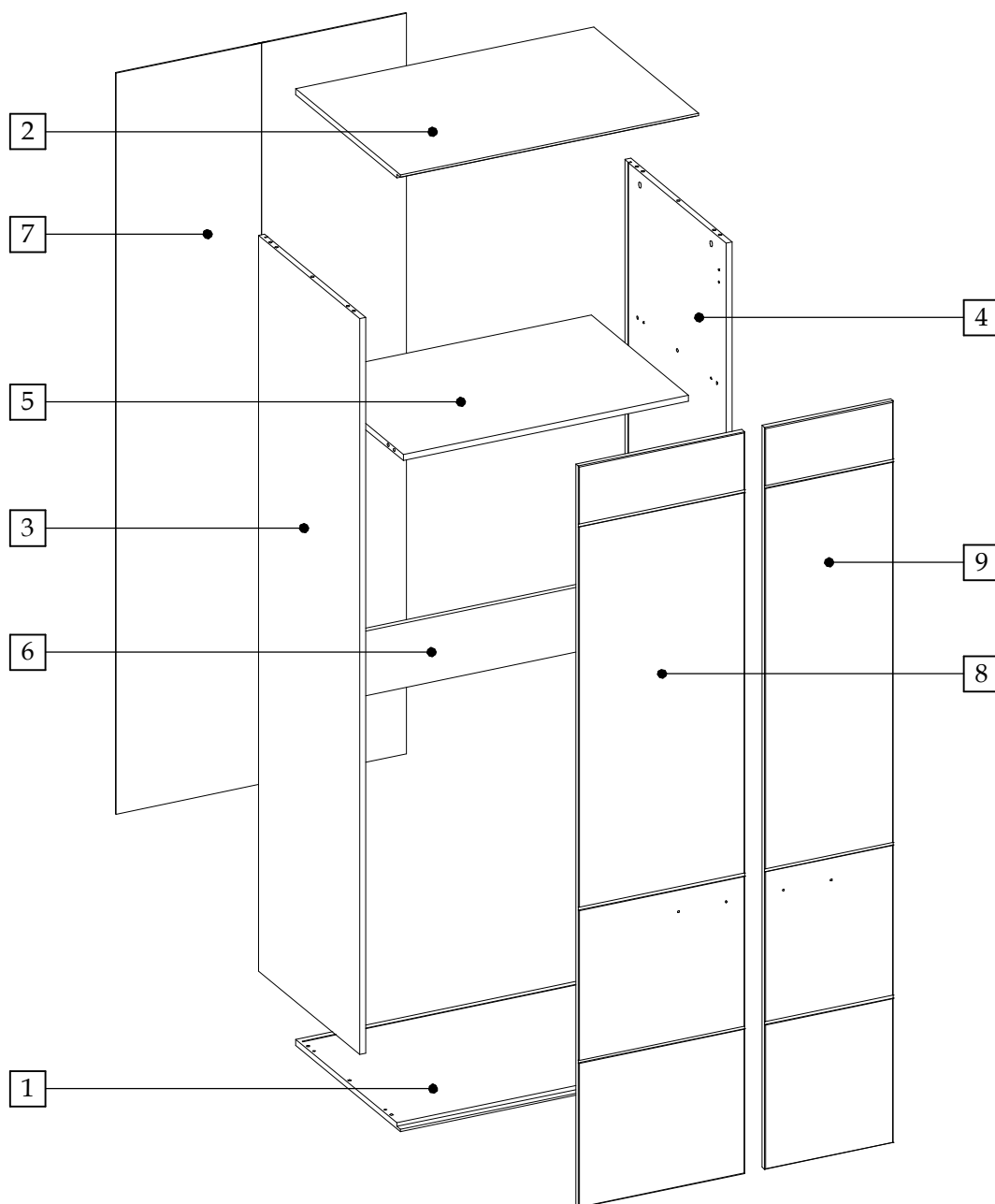
80 min





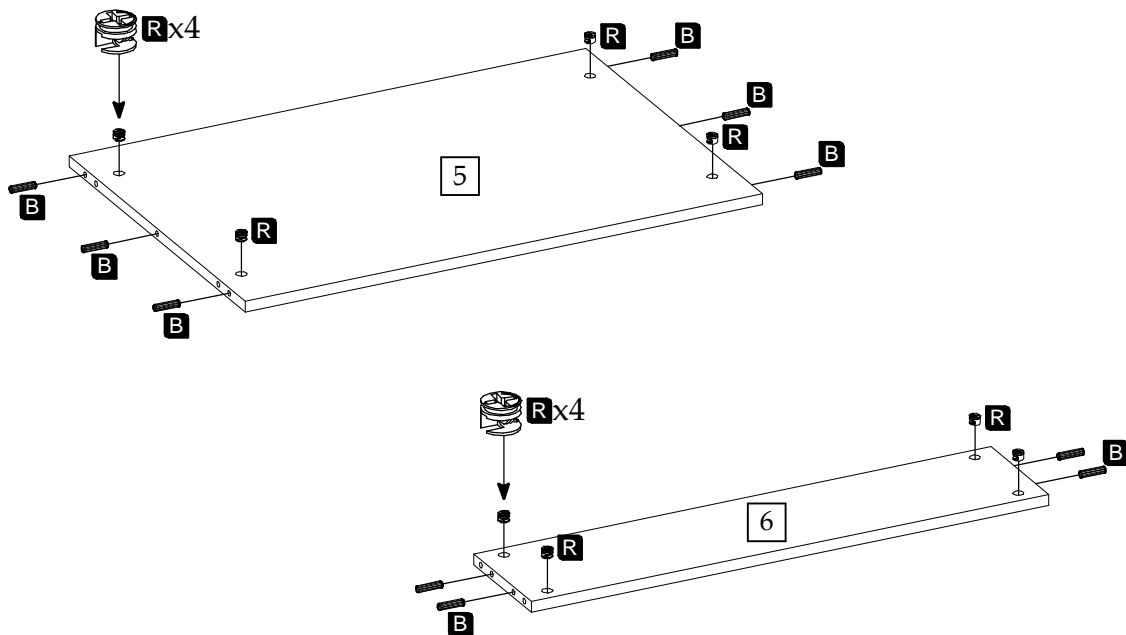


Element symbol	Measurements				Code	Paket
	1	2	3	4		
1	799	558	16	1	1002	1/2
2	799	558	16	1	1003	1/2
3	1934	541	16	1	1004	1/2
4	1934	541	16	1	1005	1/2
5	765	520.5	16	1	1011	1/2
6	765	170	16	1	1020	1/2
7	1948	778	3	1	N/A	2/2
8	1950	445	16	1	1010/3018	2/2
9	1950	345	16	1	1011/3019	2/2

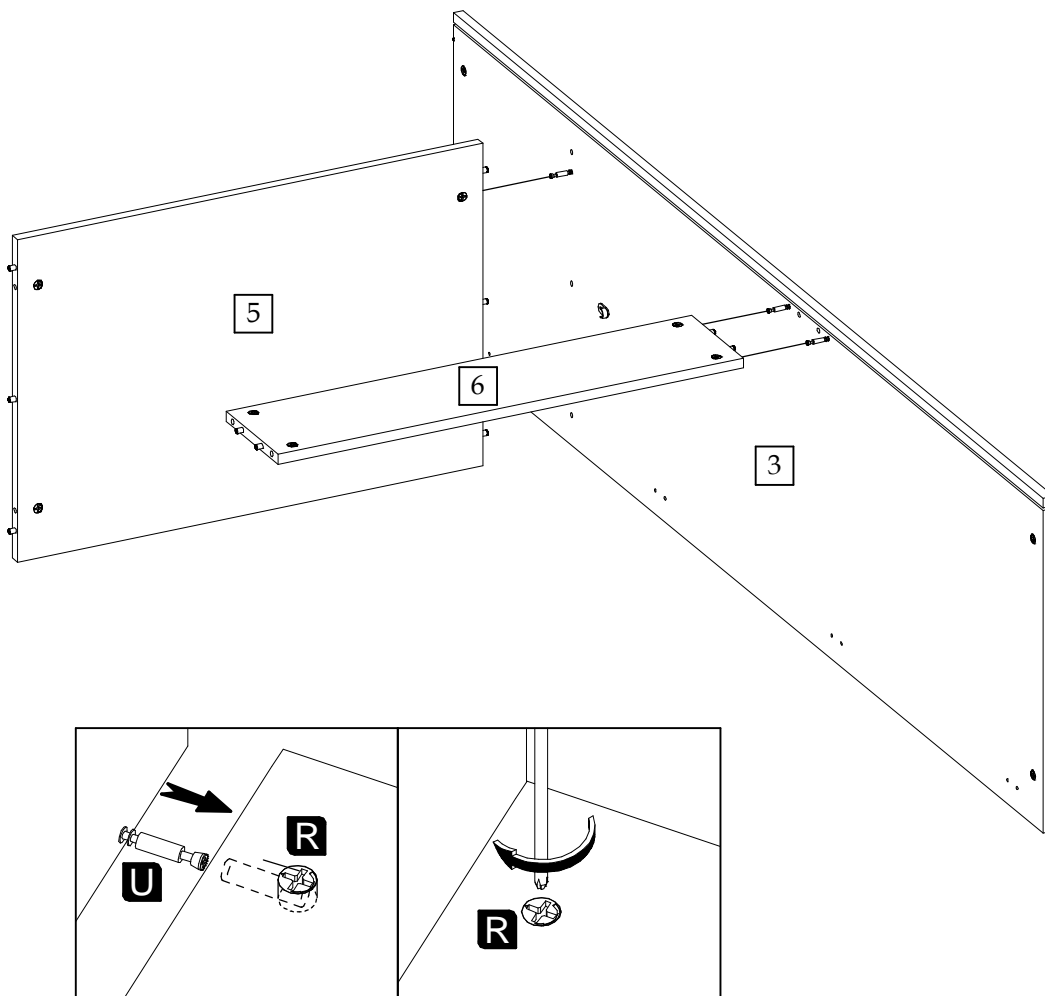




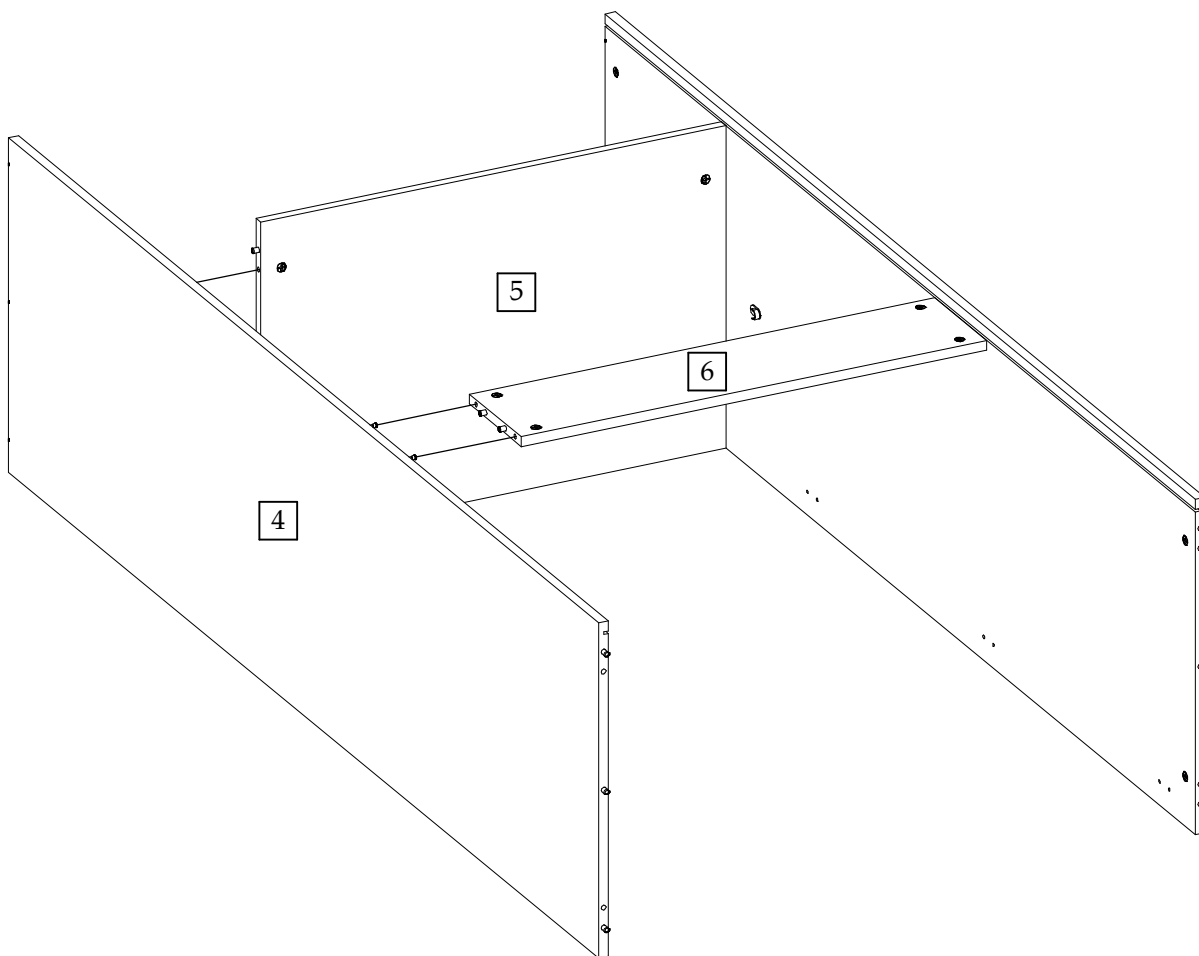
2



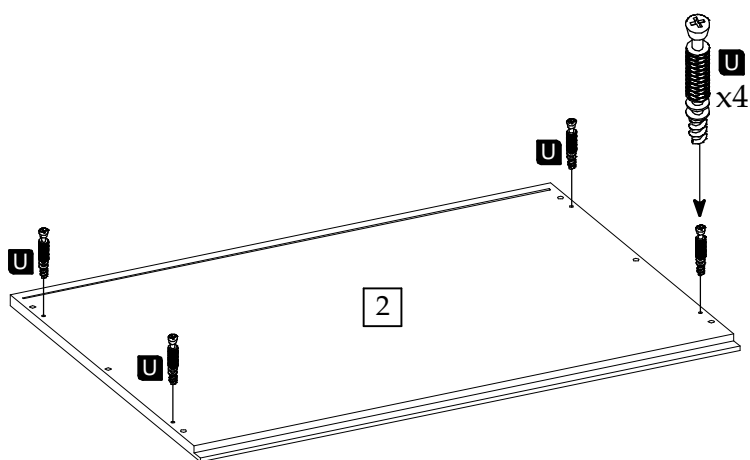
3



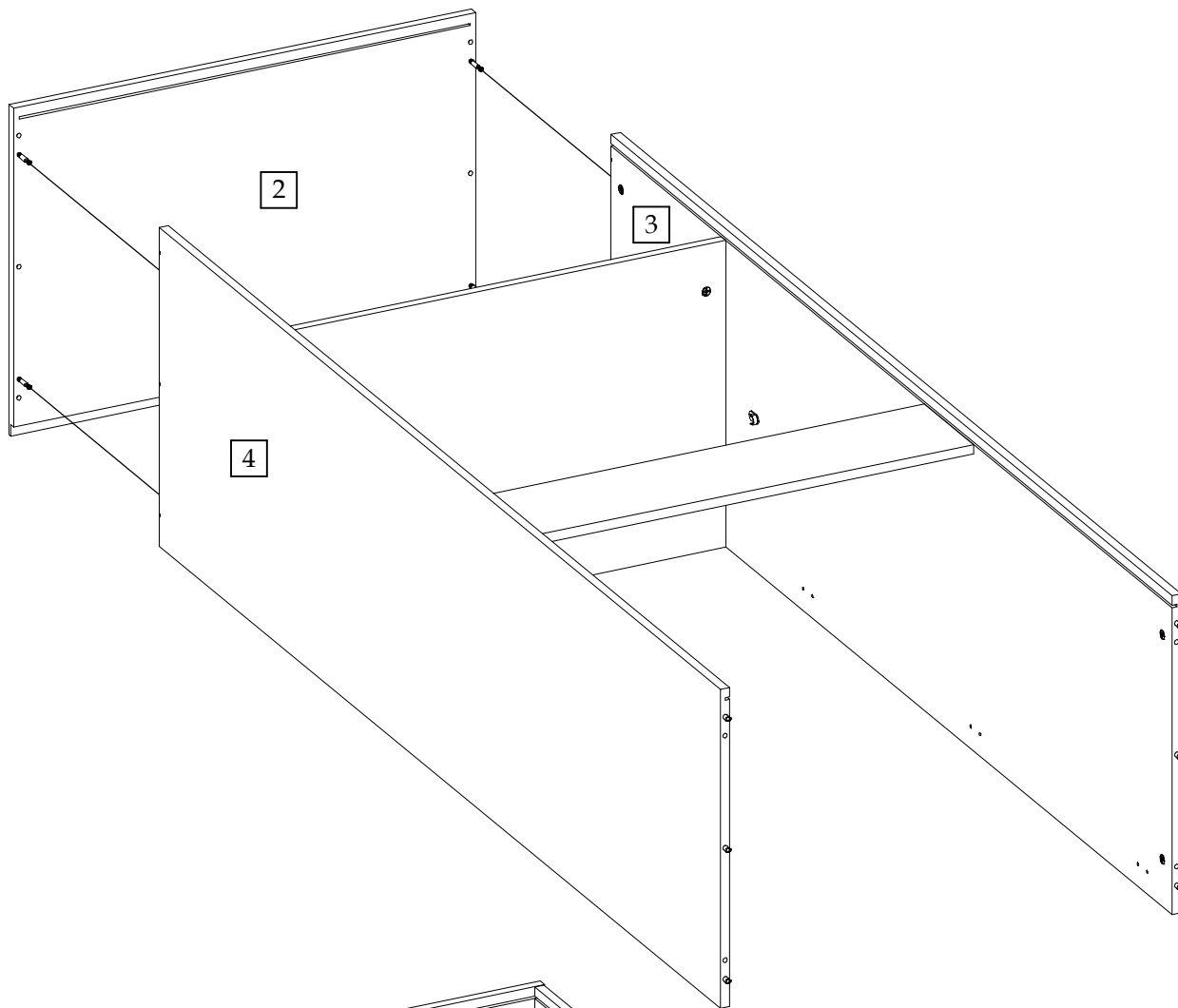
4



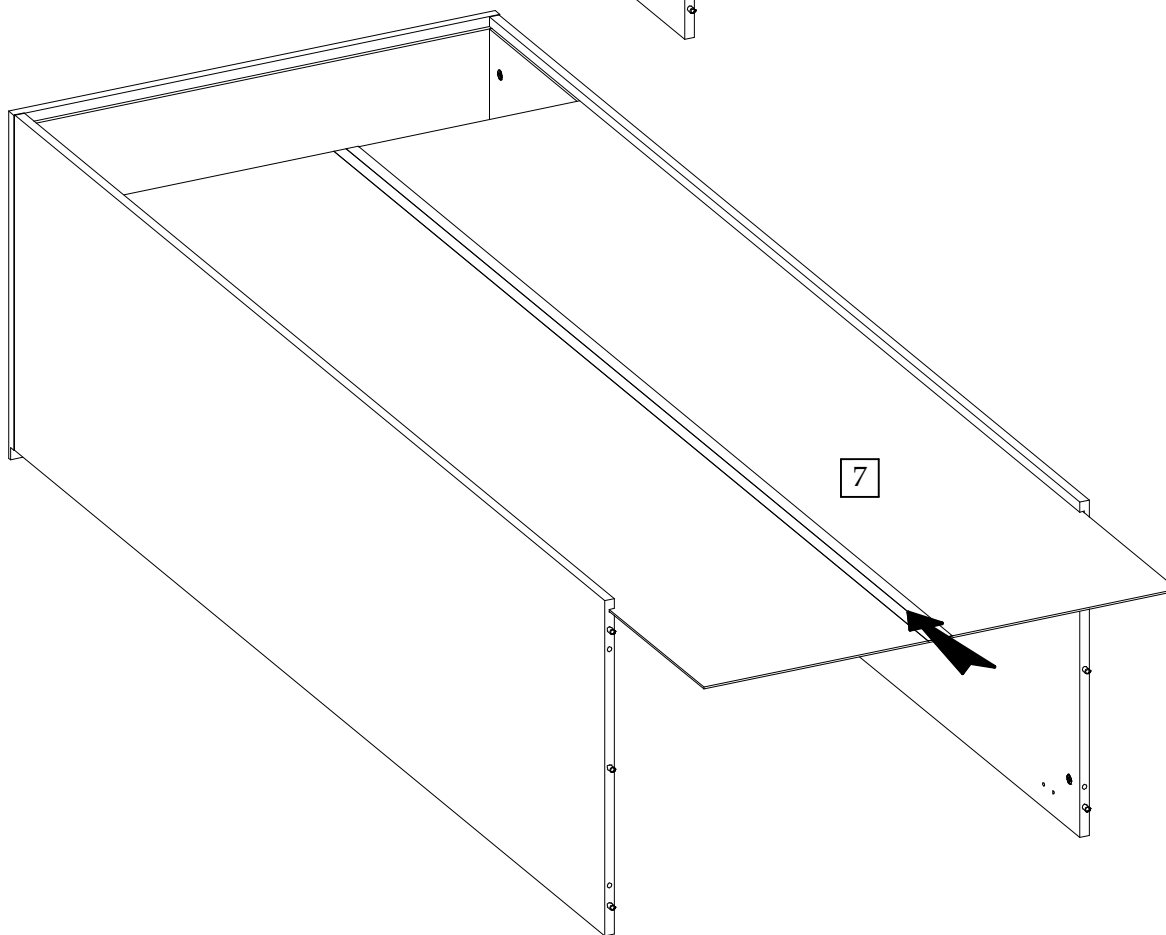
5



6

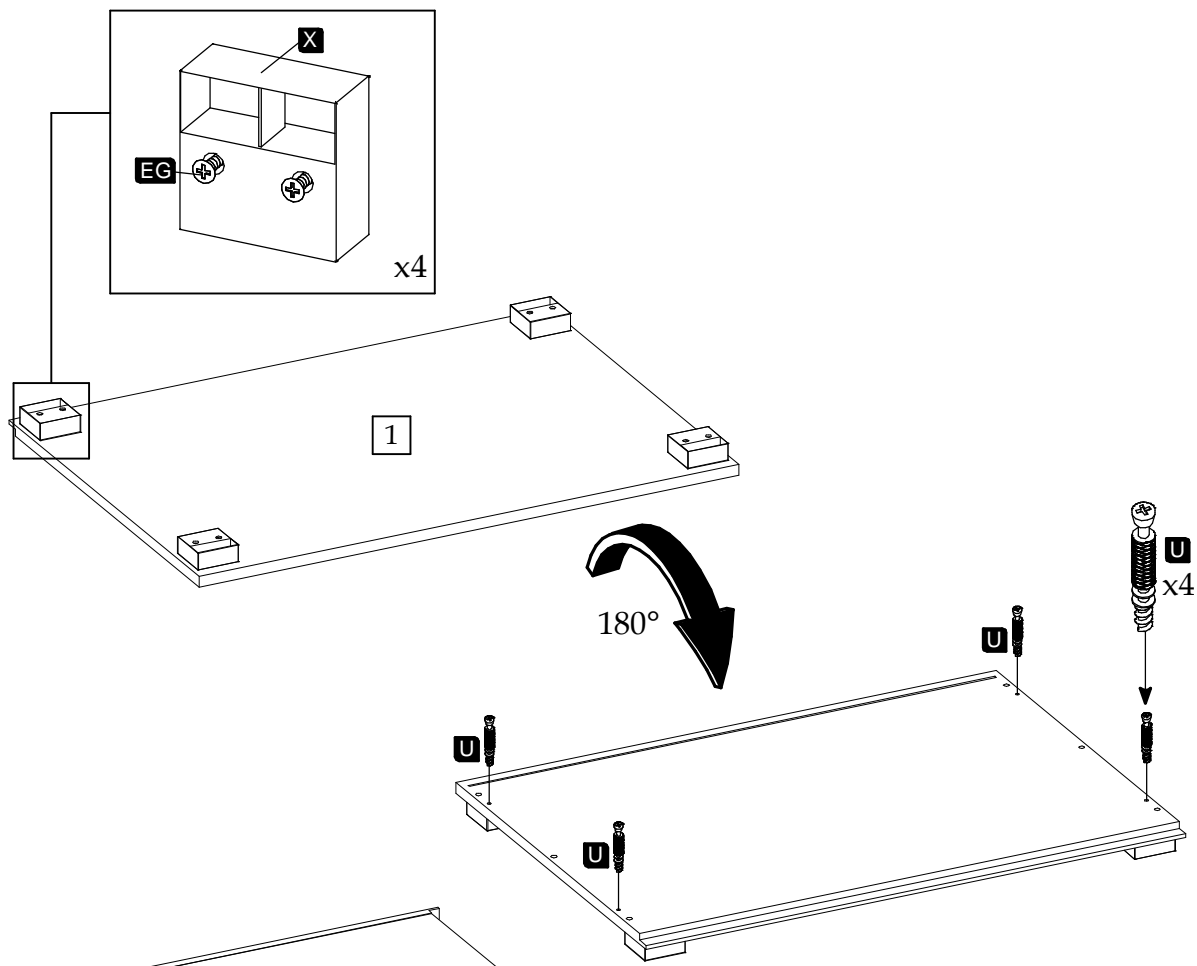


7





8



9

