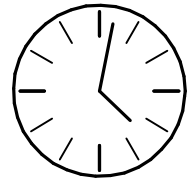
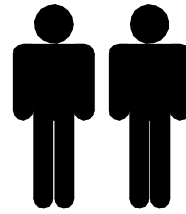
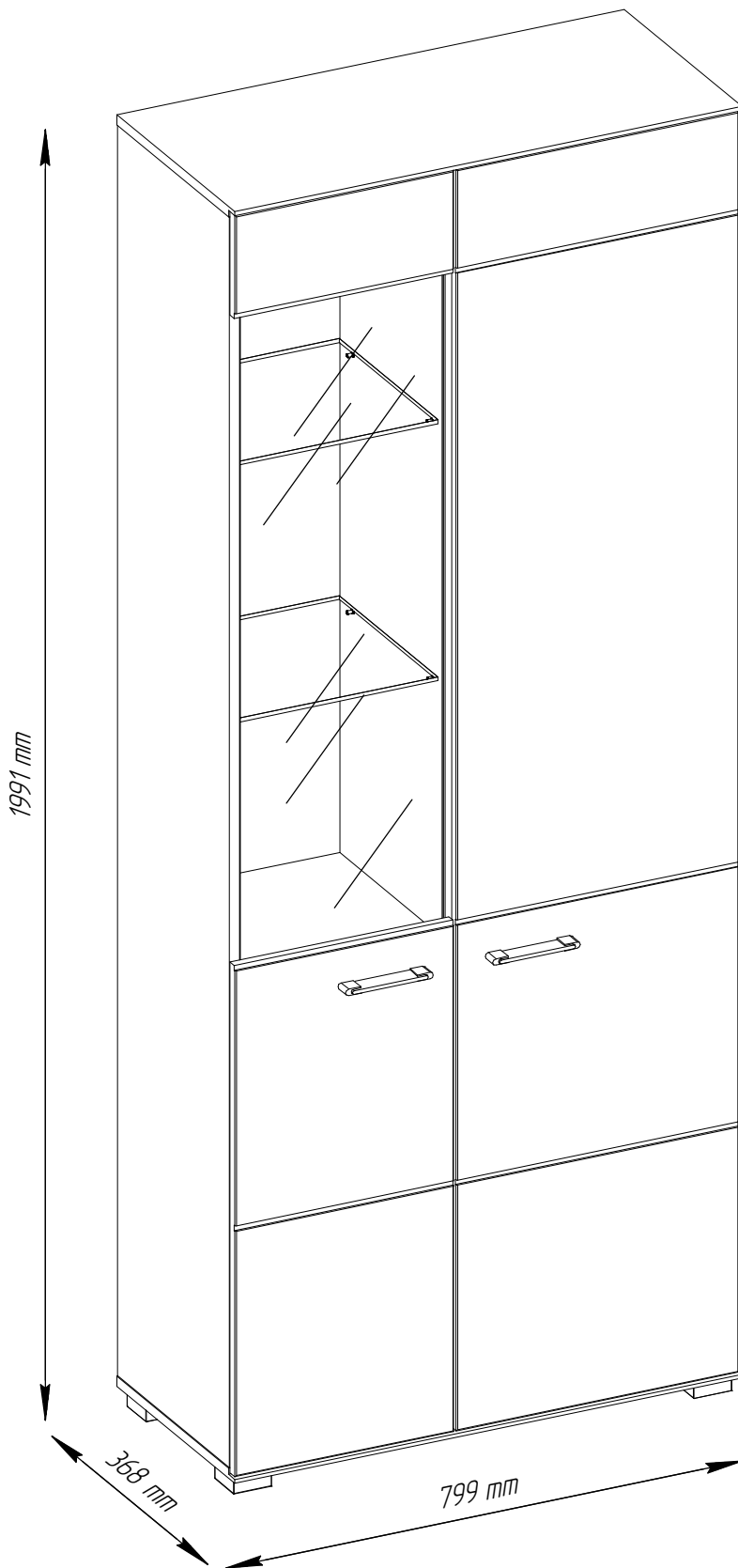
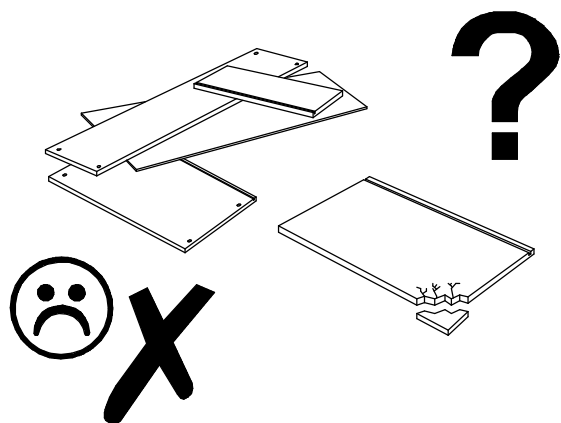
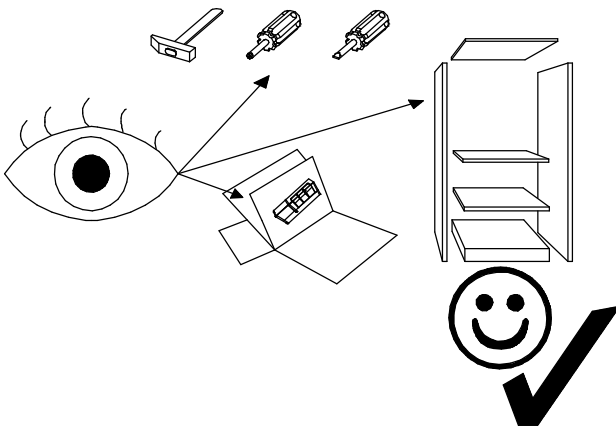
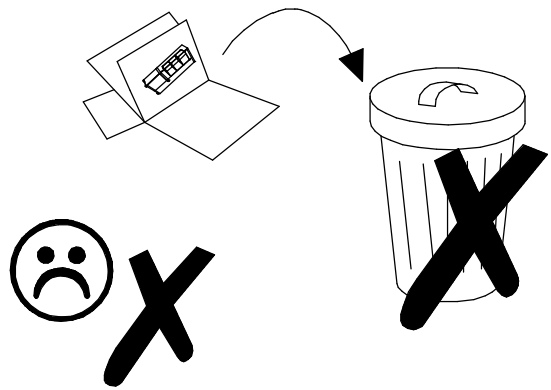
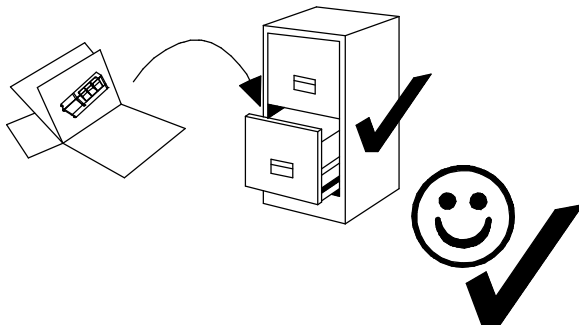
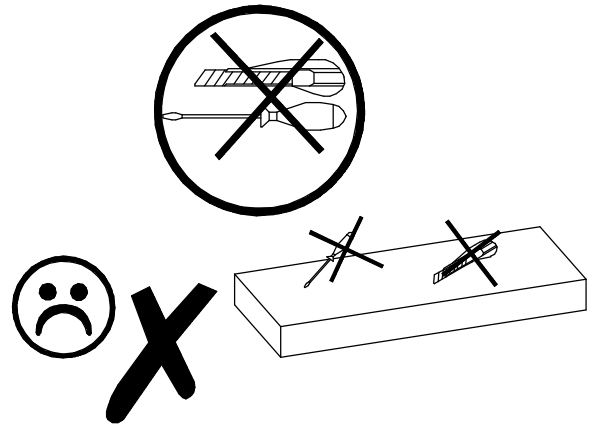
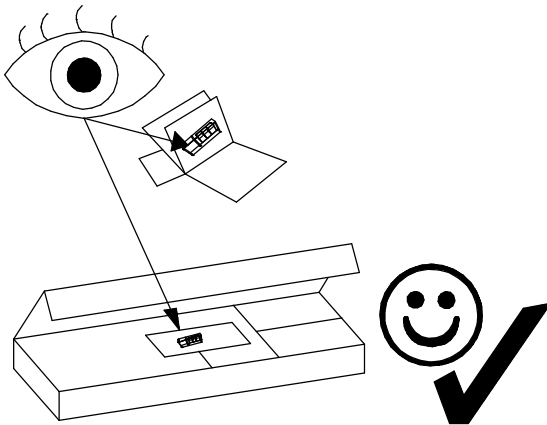


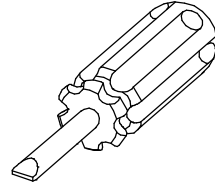
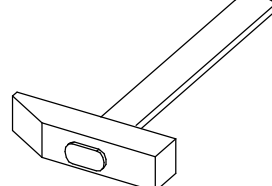
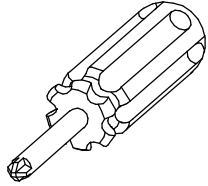
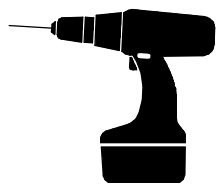
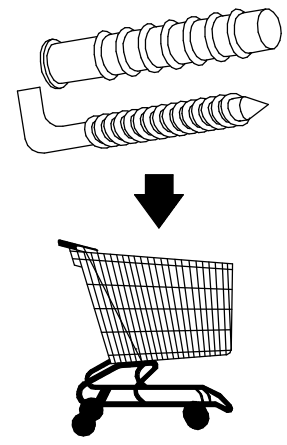
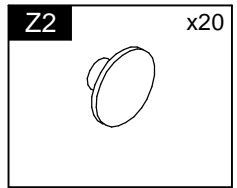
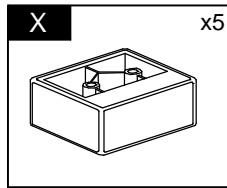
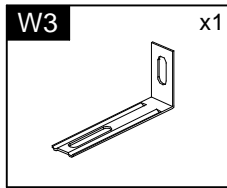
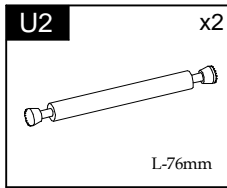
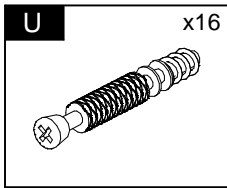
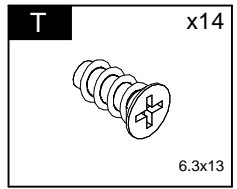
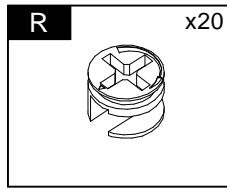
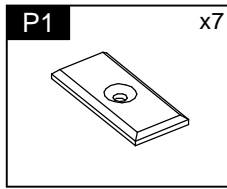
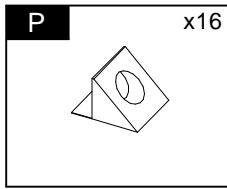
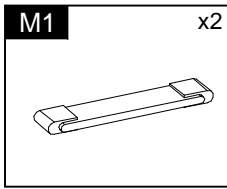
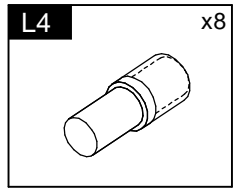
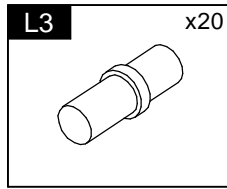
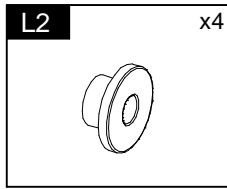
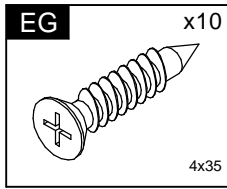
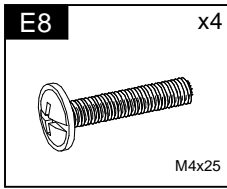
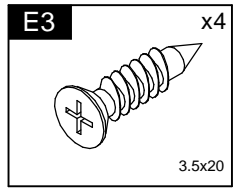
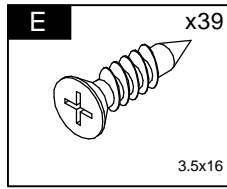
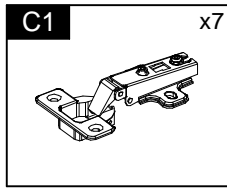
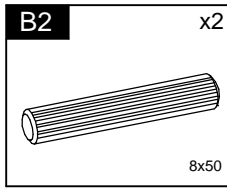
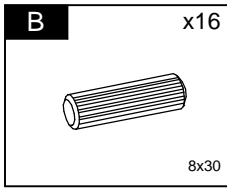
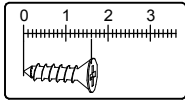
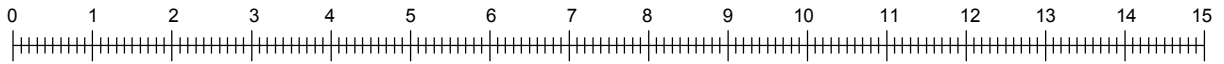
CONCORD

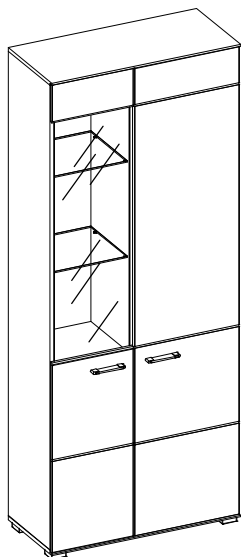
Typ K1



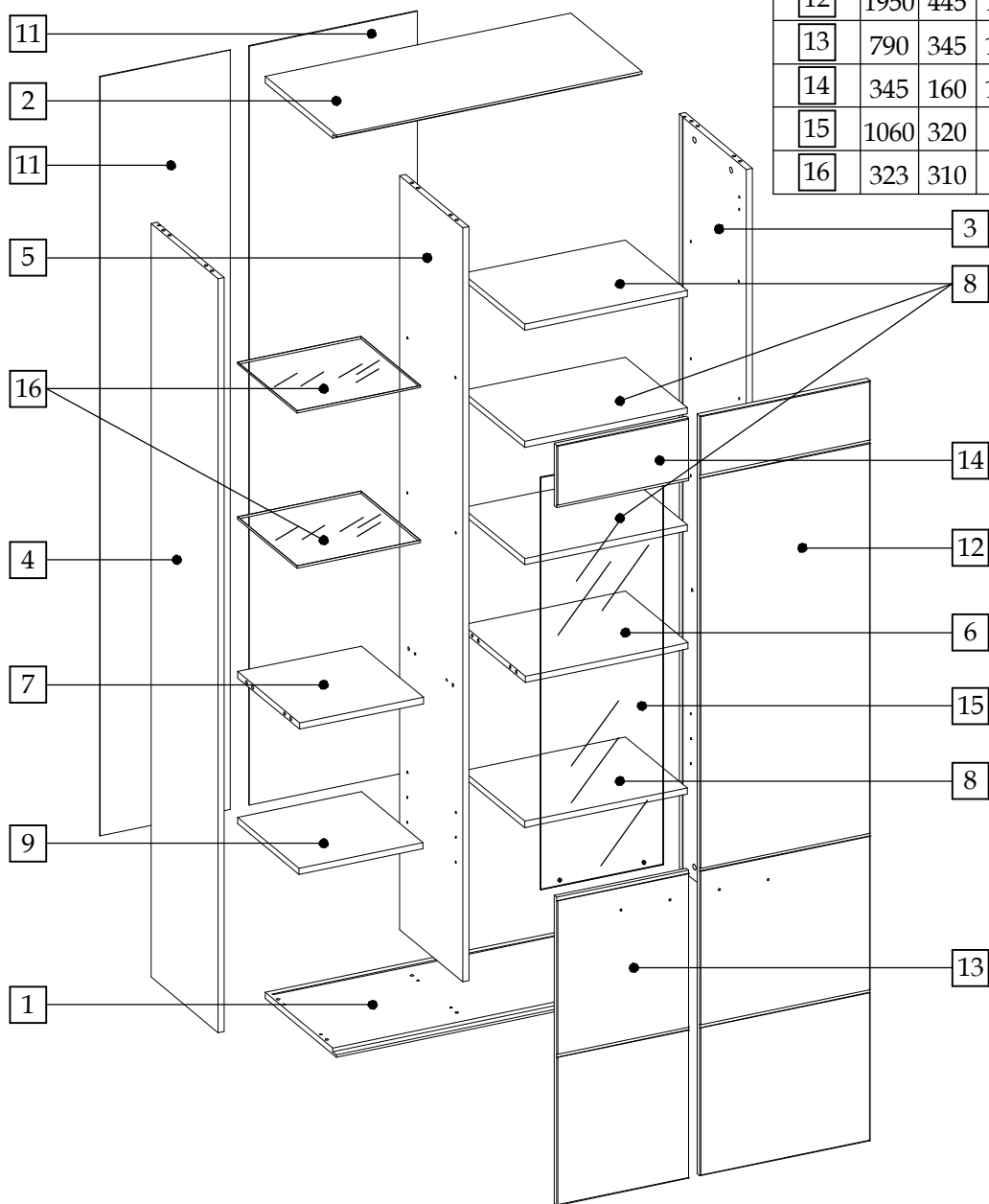
100 min

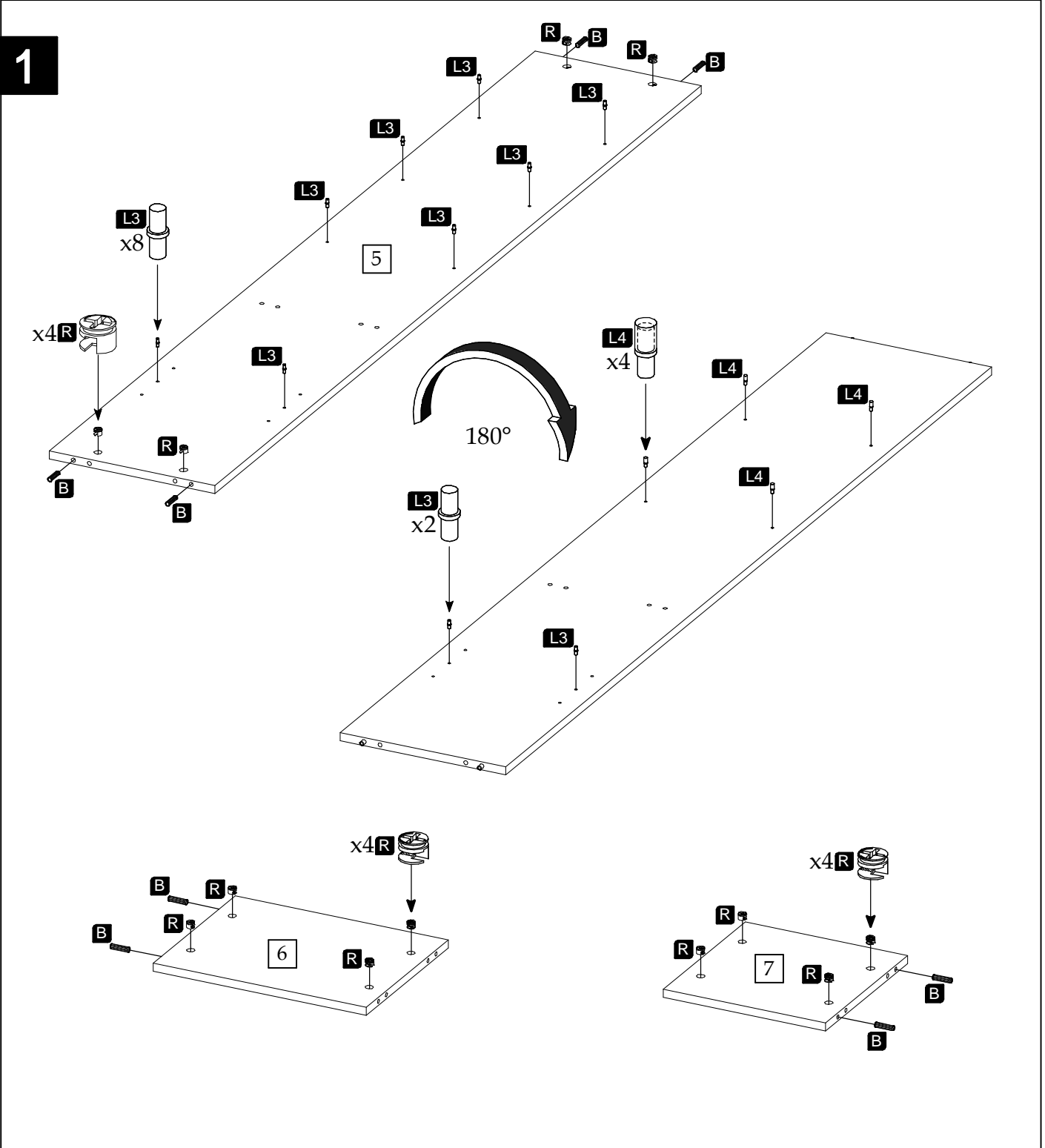
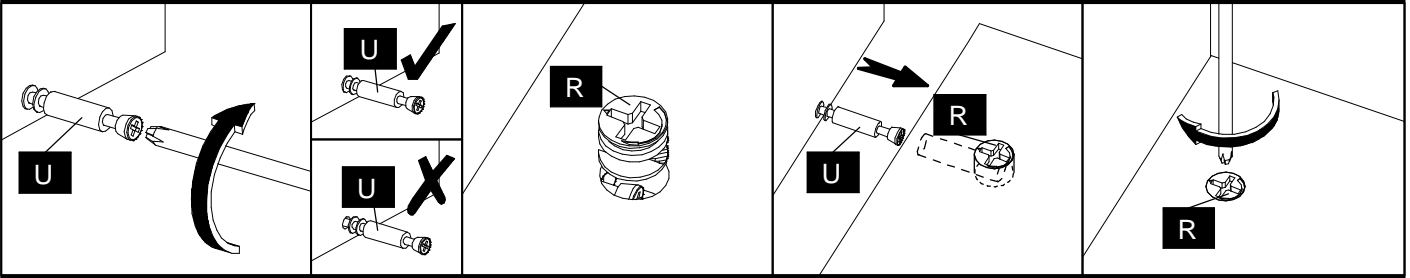




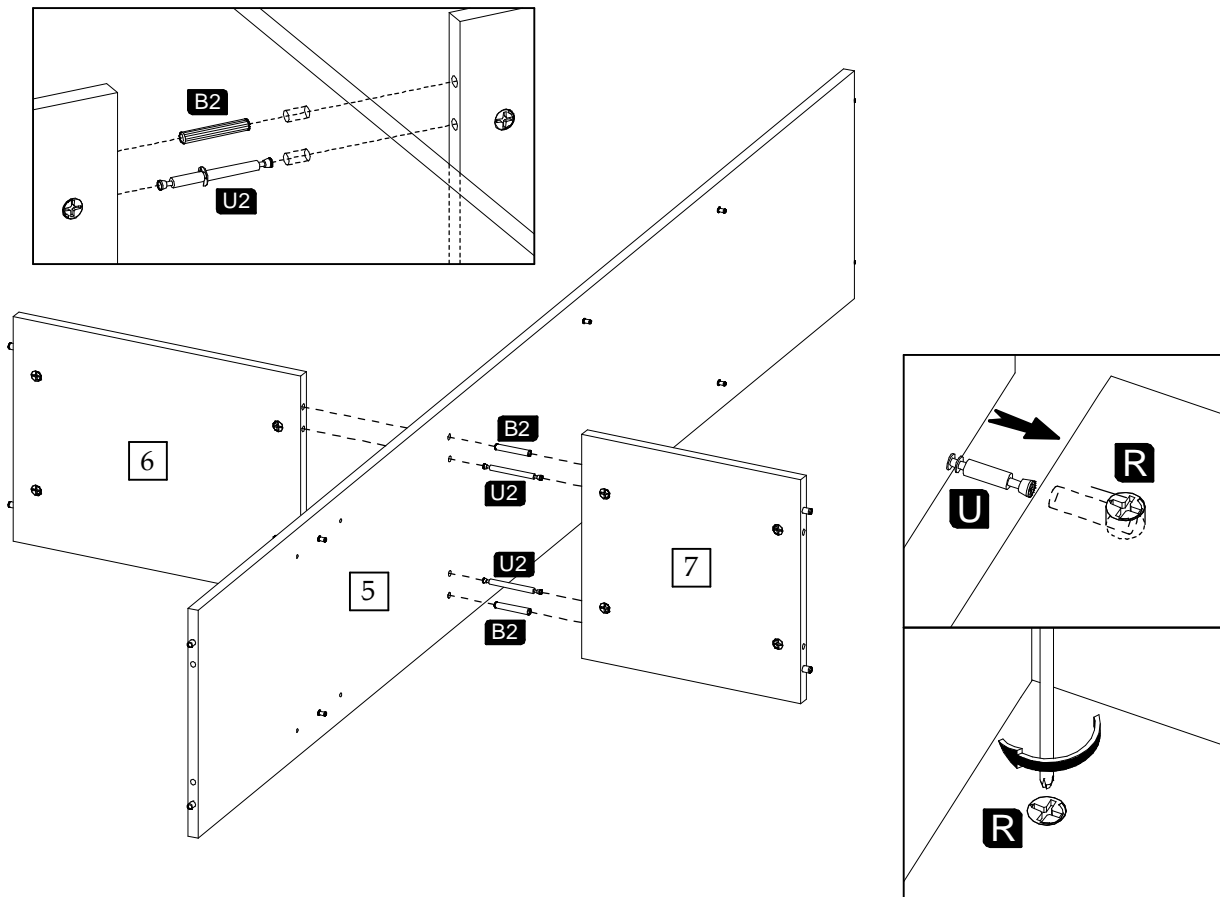


Element symbol	Measurements				Code	Paket
1	799	368	16	1	1002	1/3
2	799	368	16	1	1003	1/3
3	1934	351	16	1	1004	1/3
4	1934	351	16	1	1005	1/3
5	1934	331	16	1	1006	1/3
6	425	324	16	1	1008	1/3
7	324	324	16	1	1011	1/3
8	424.5	320	16	4	N/A	1/3
9	324	324	16	1	N/A	1/3
10	1948	439	3	1	N/A	2/3
11	1948	339	3	1	N/A	2/3
12	1950	445	16	1	1010/3058	2/3
13	790	345	16	1	1004/3059	2/3
14	345	160	16	1	1005/3057	2/3
15	1060	320	4	1	Glass	3/3
16	323	310	6	2	Glass	3/3

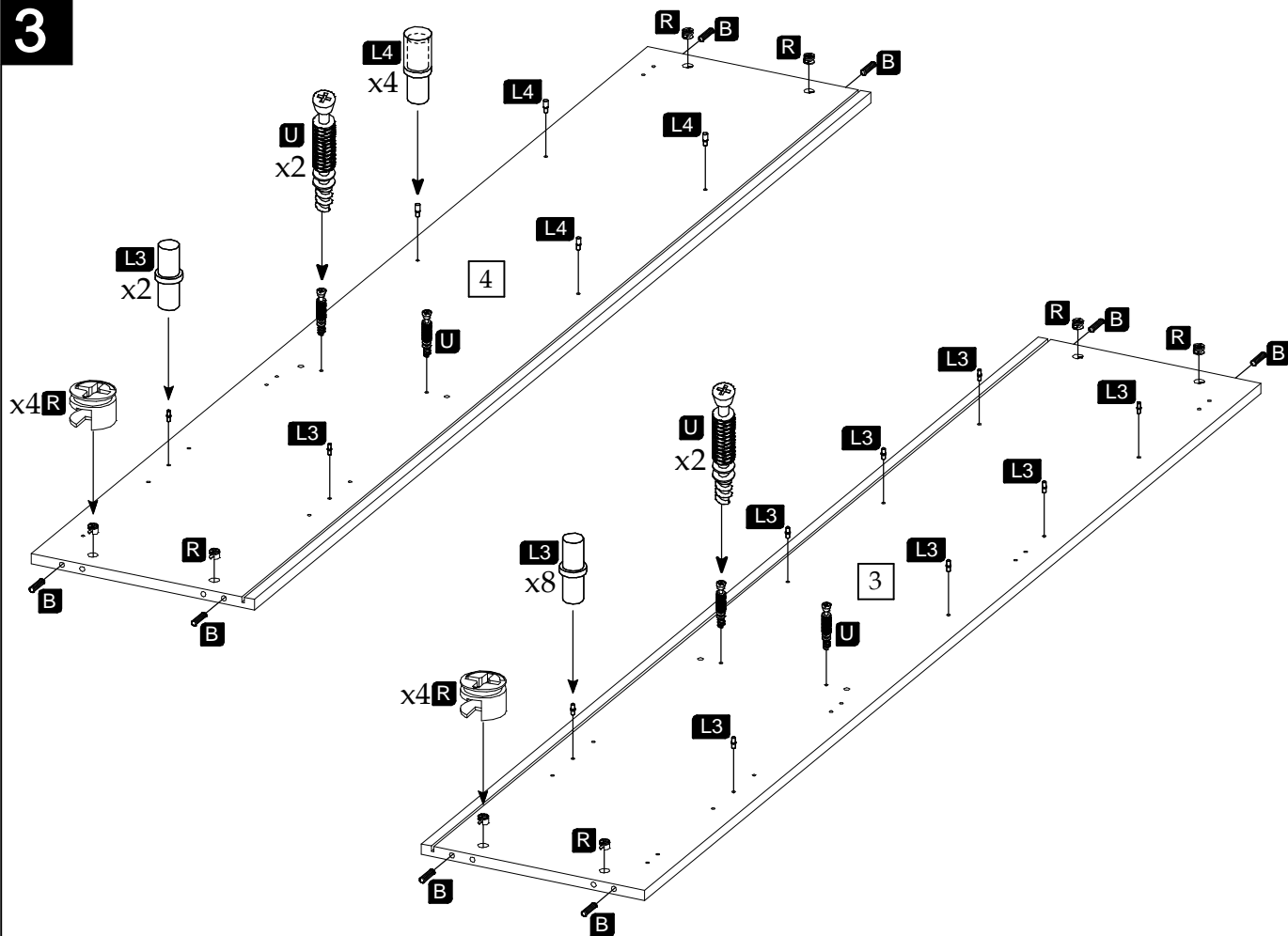




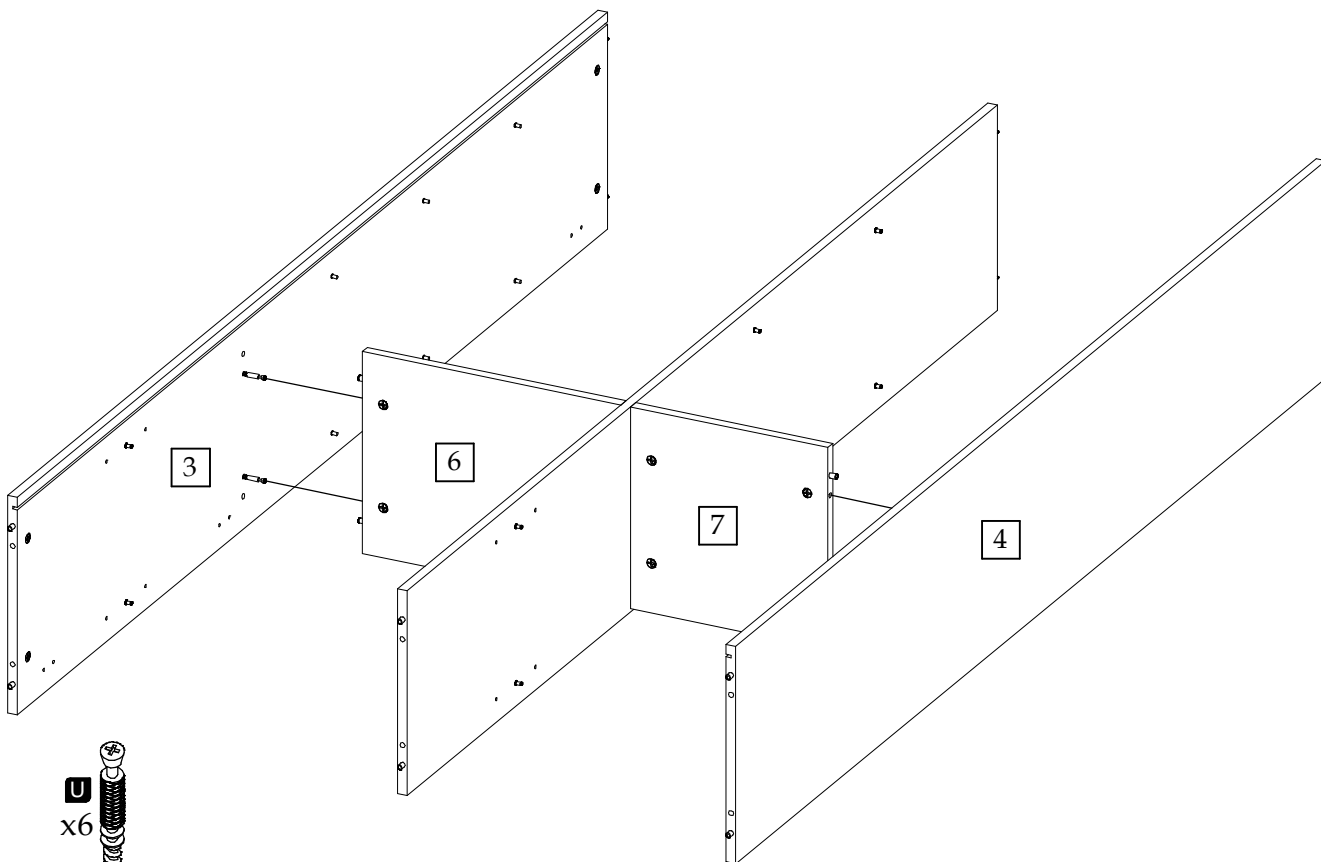
2



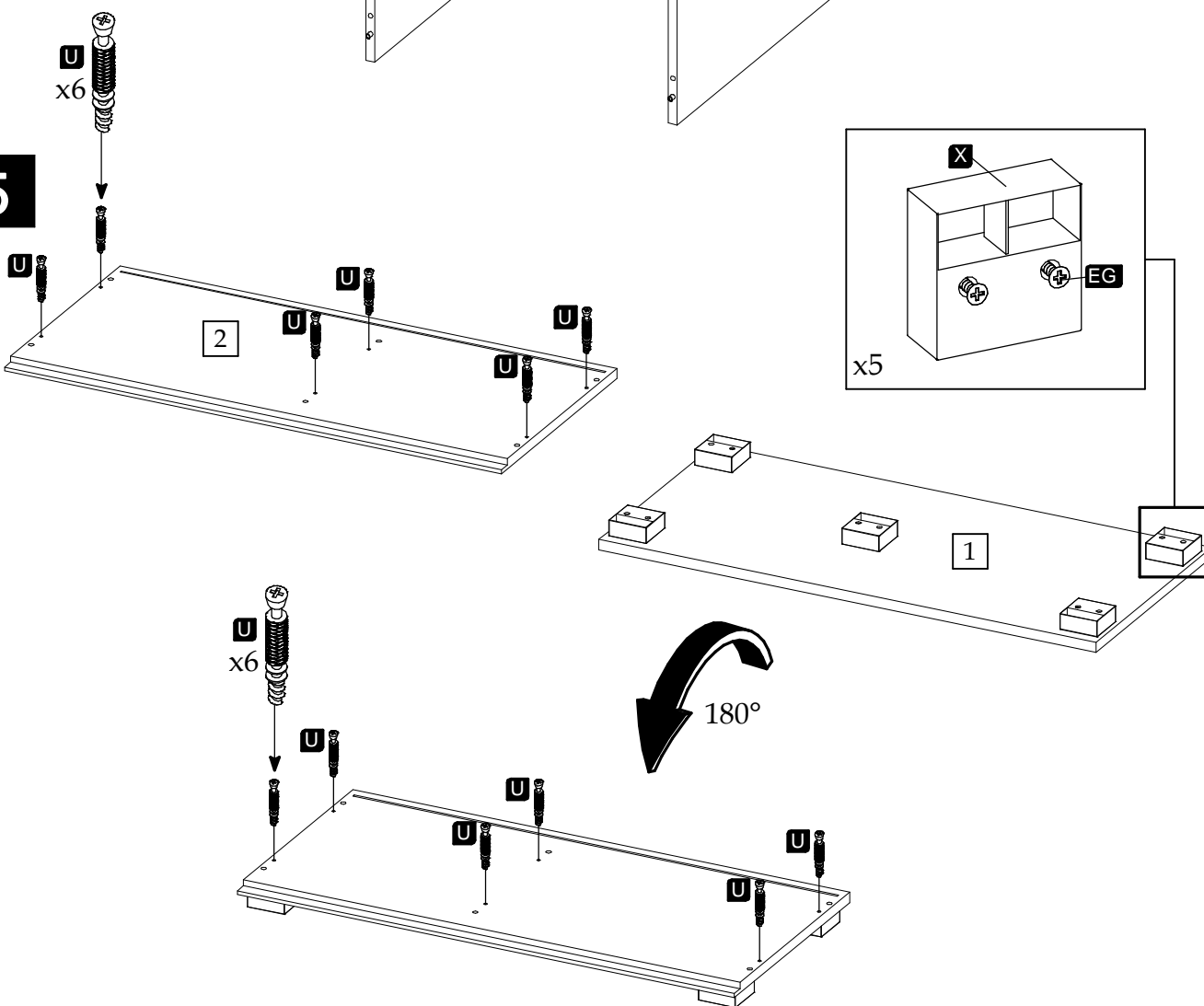
3



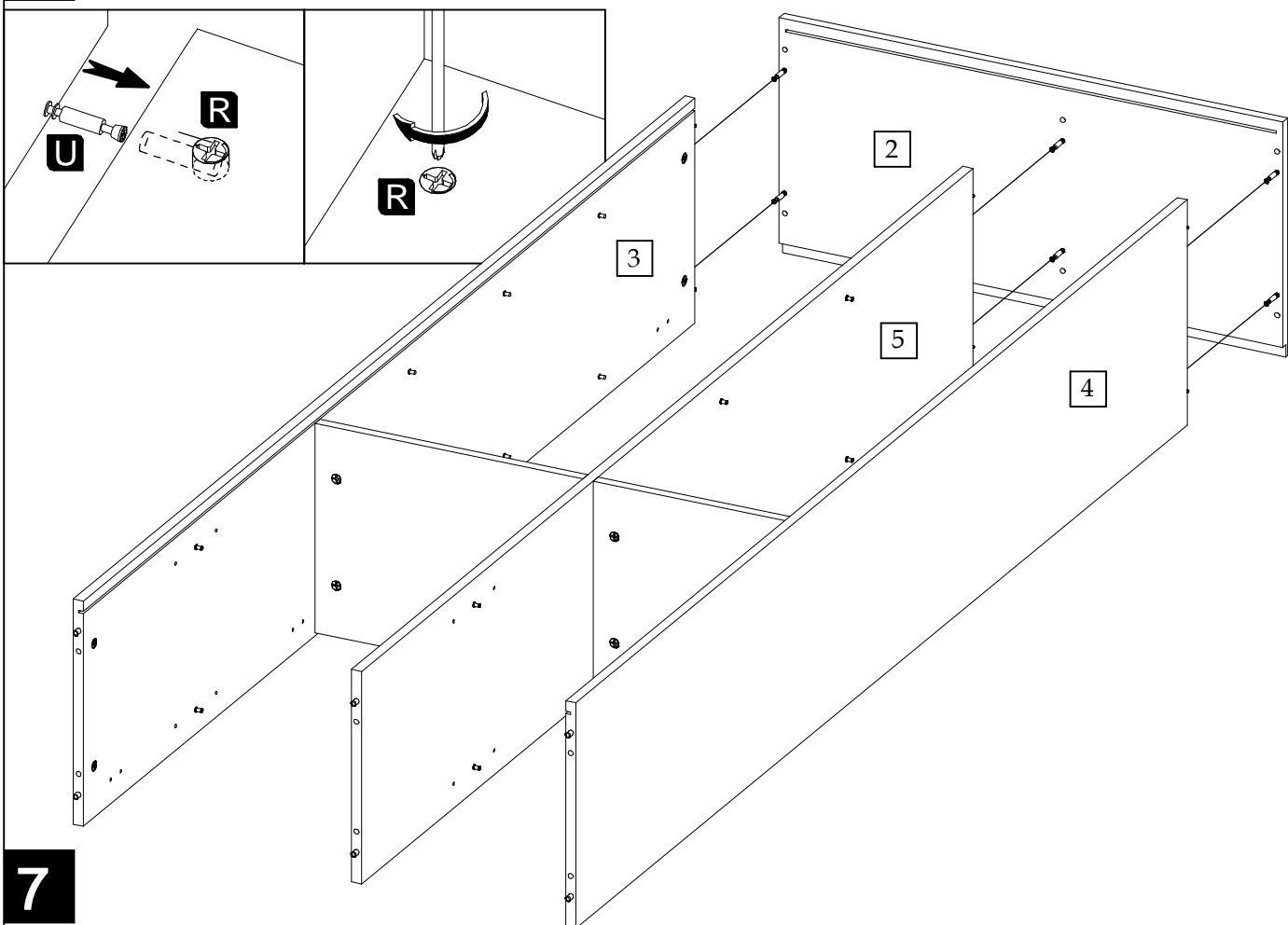
4



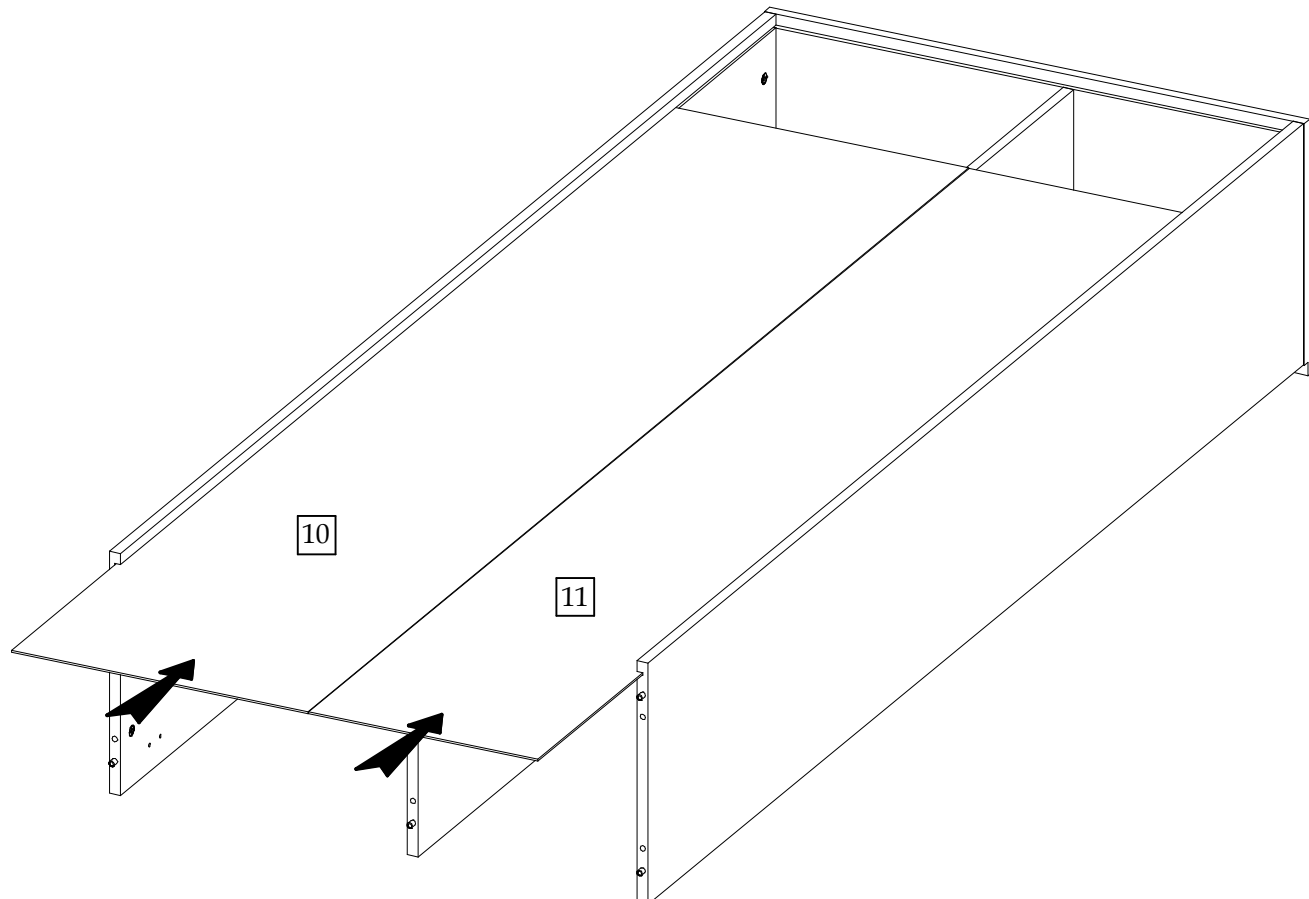
5

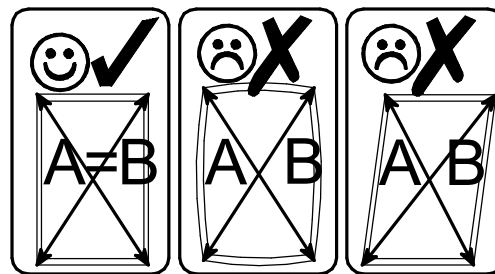
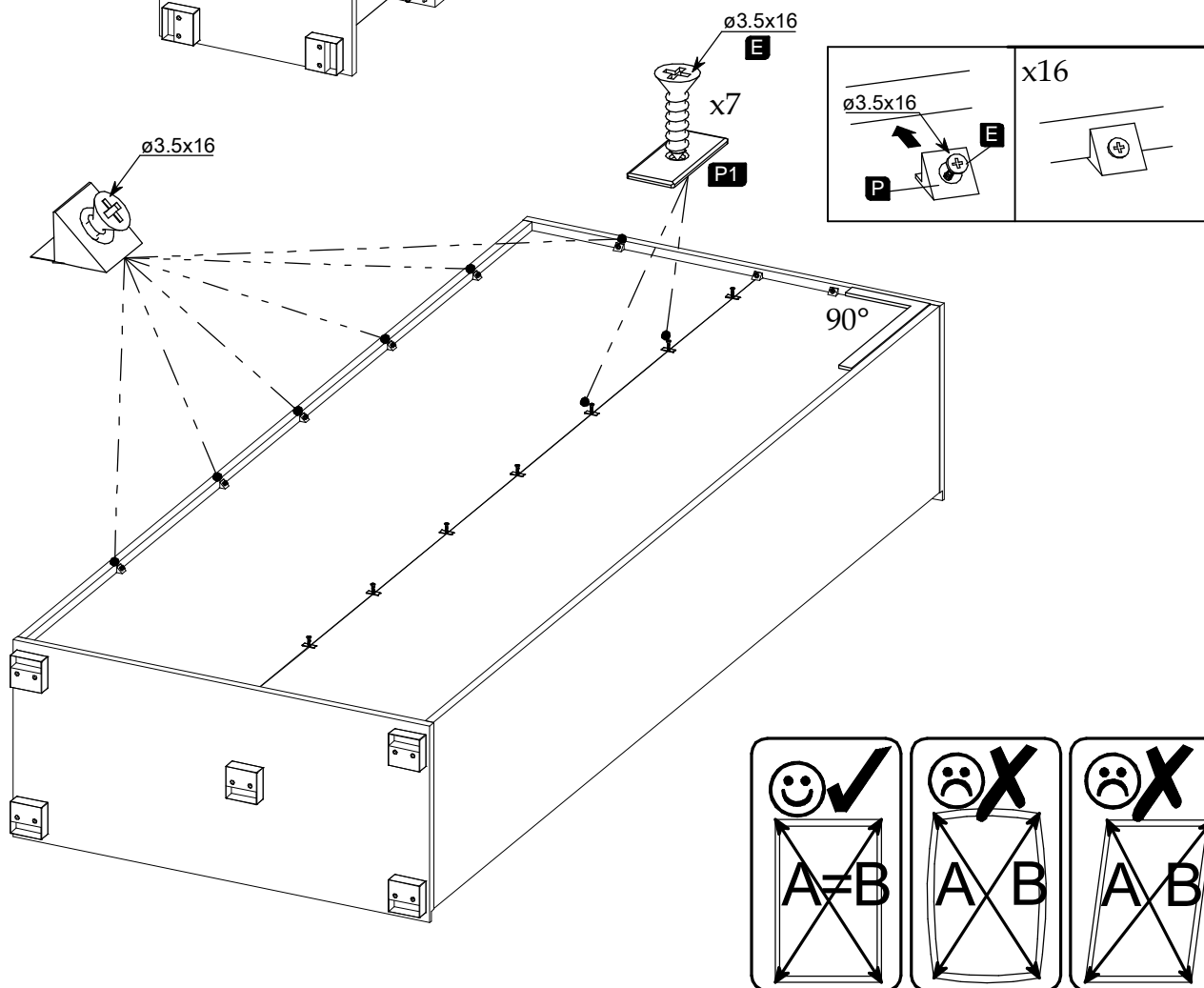
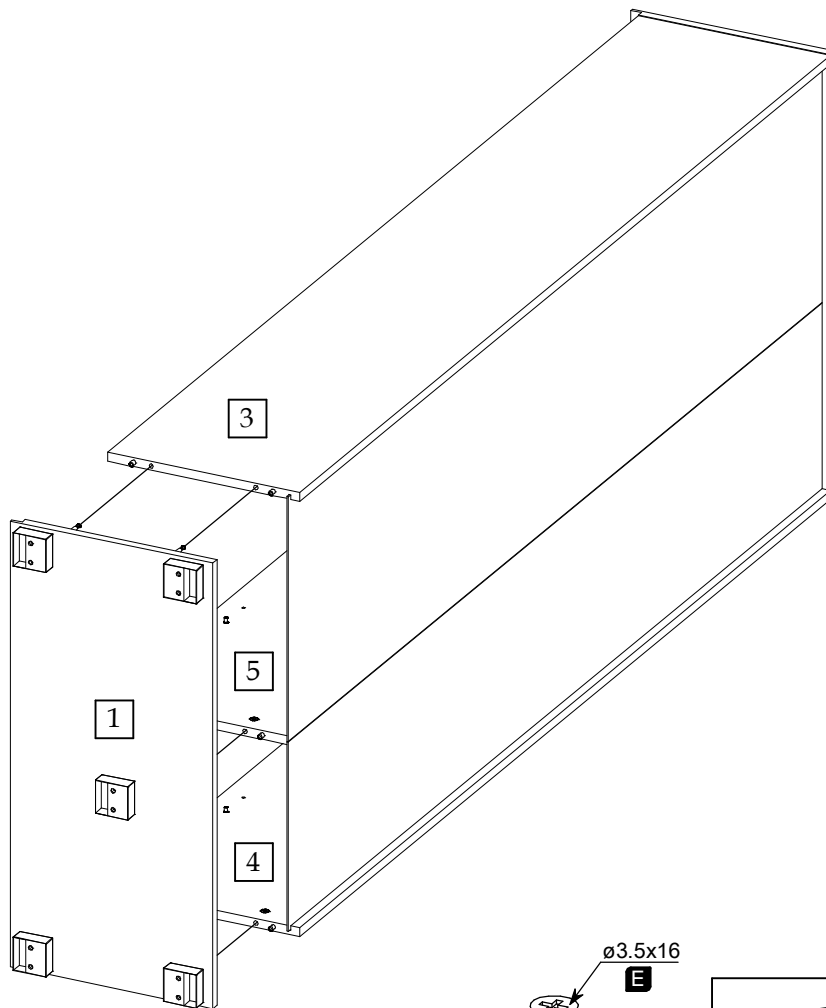


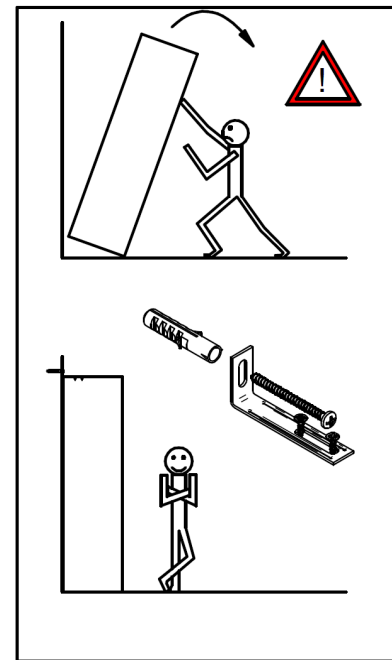
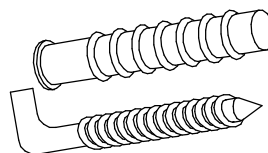
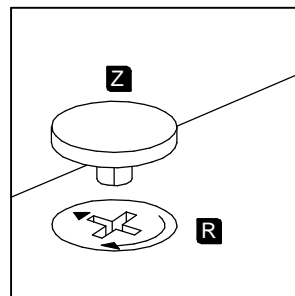
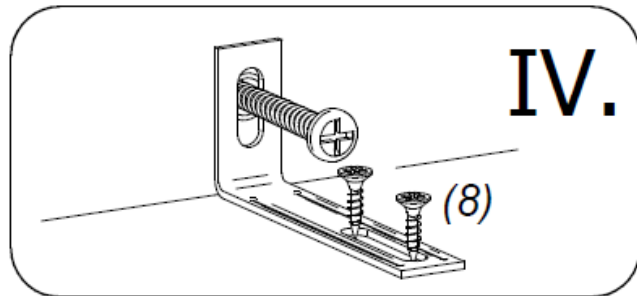
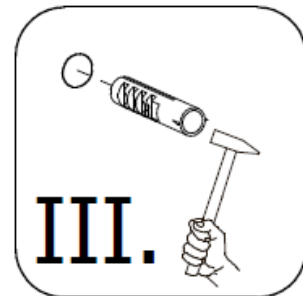
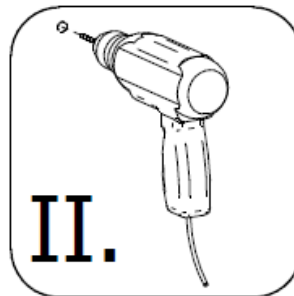
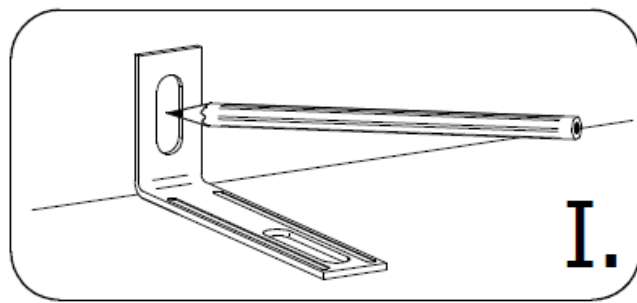
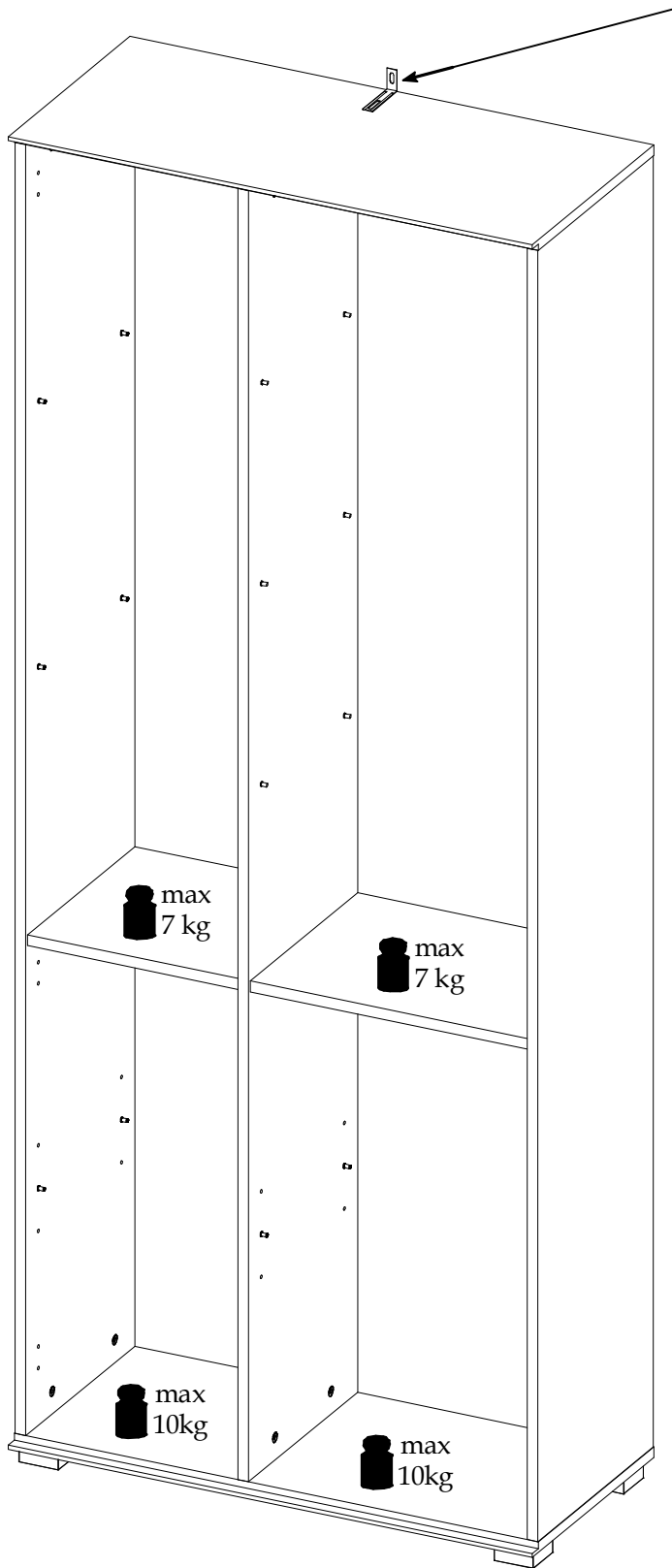
6



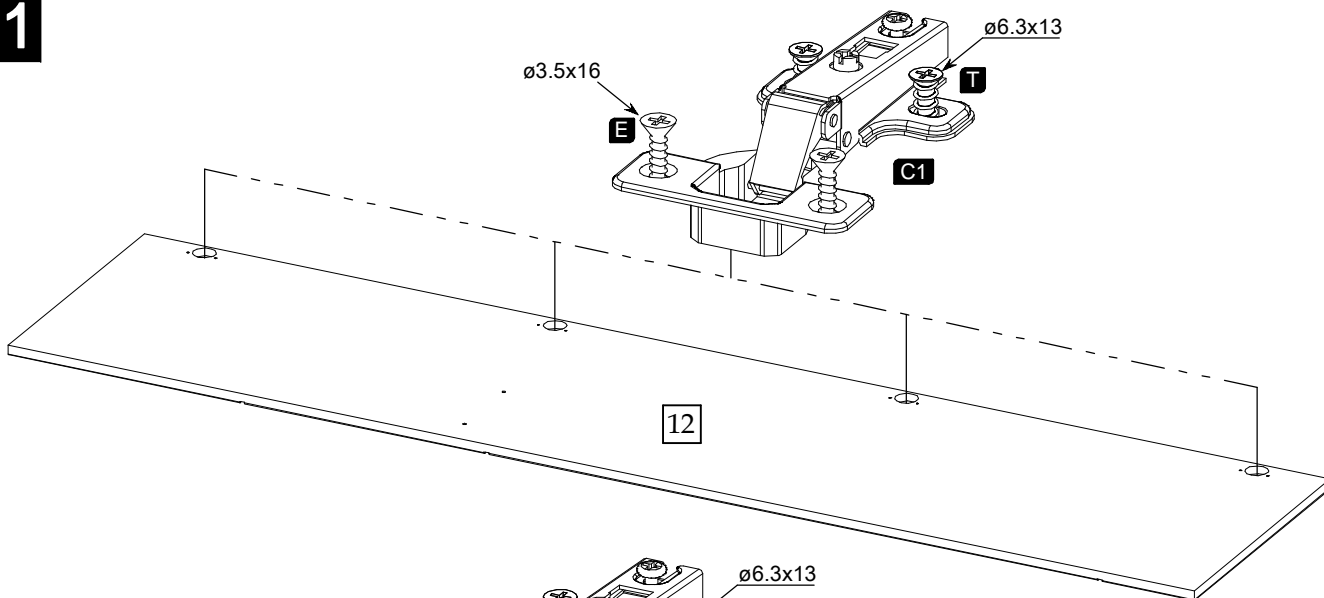
7







11



12

