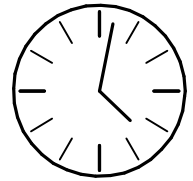
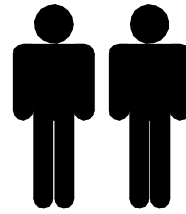
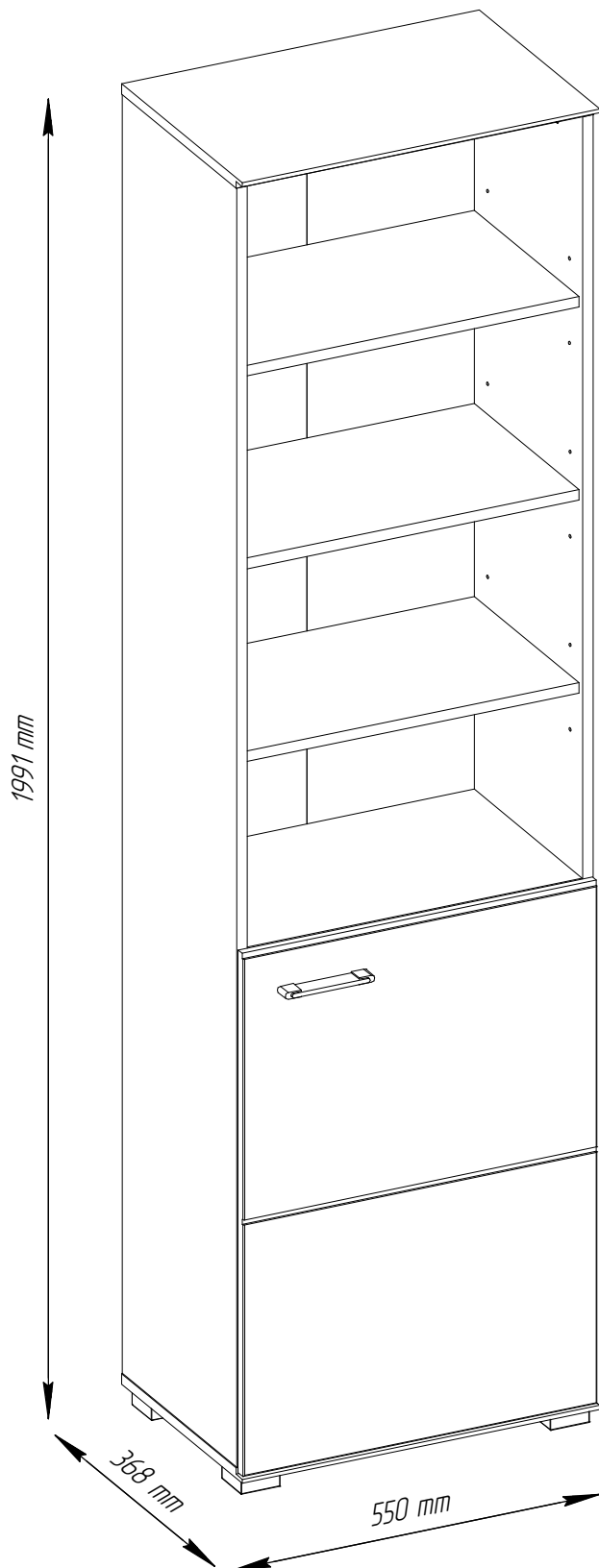
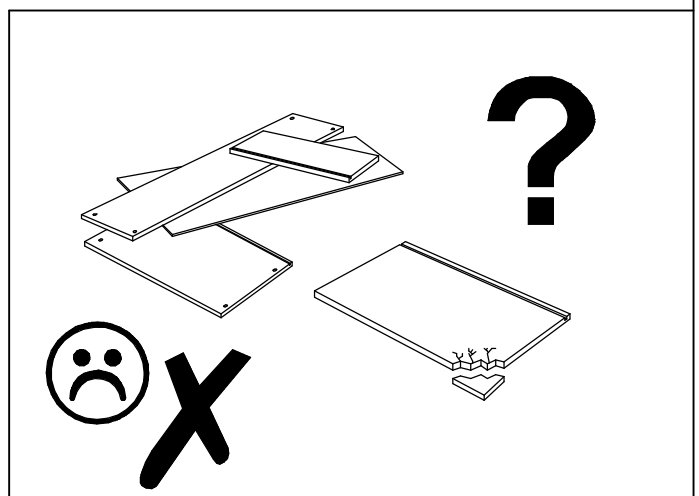
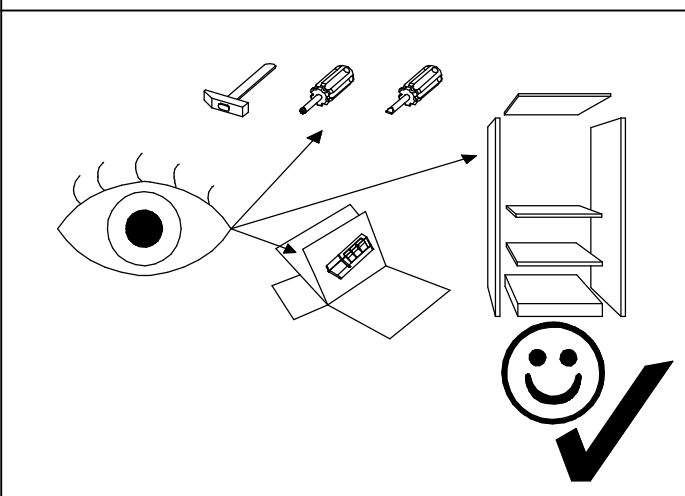
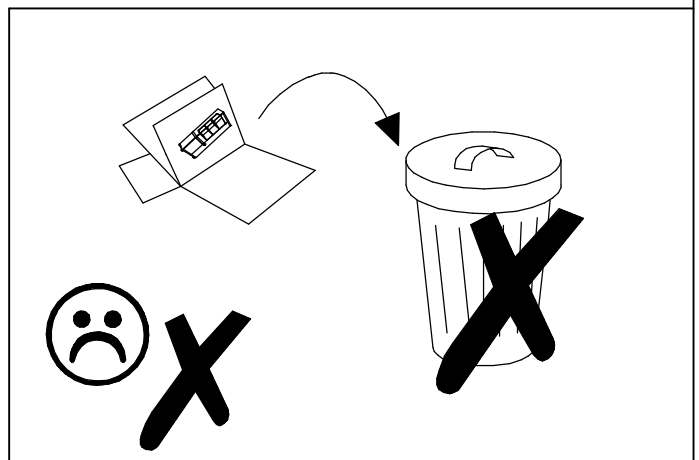
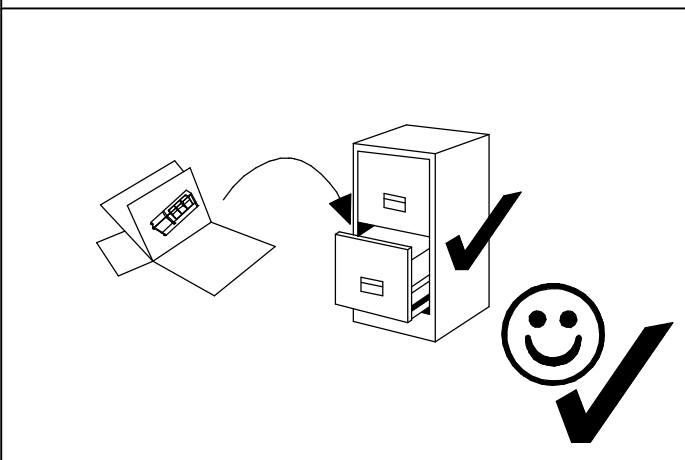
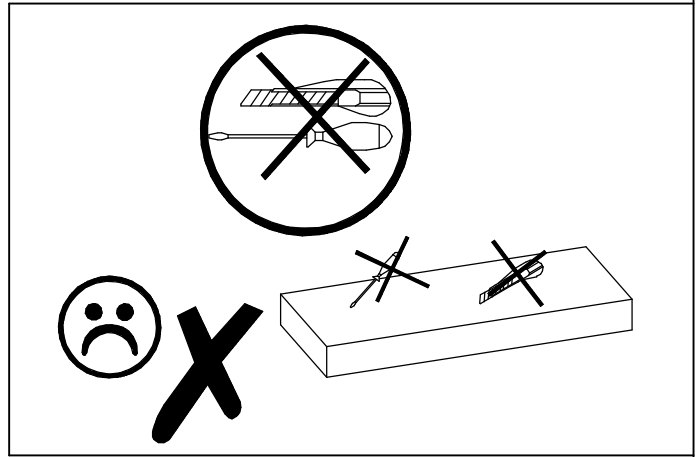
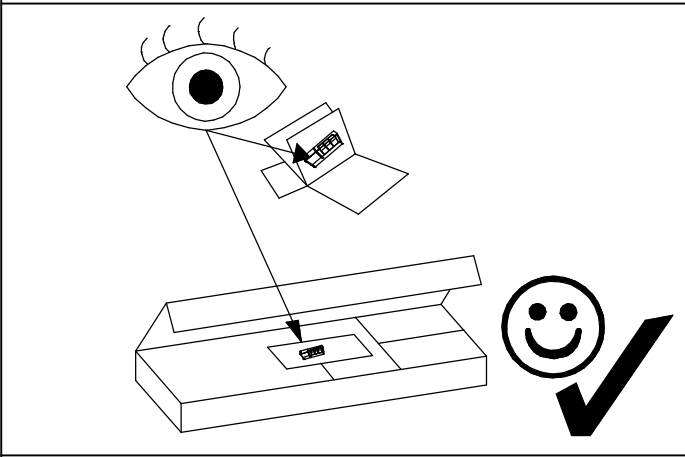


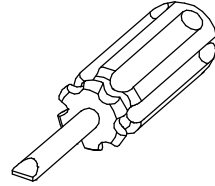
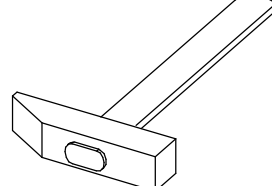
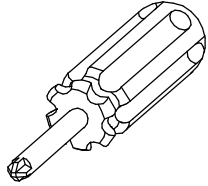
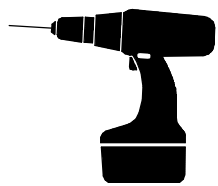
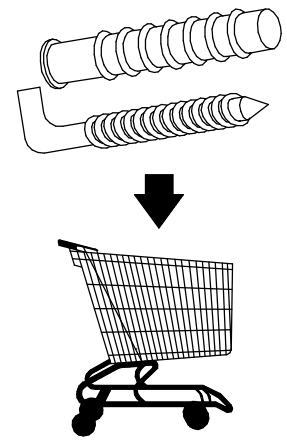
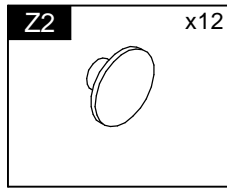
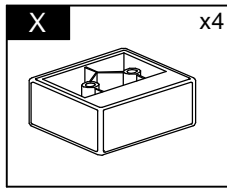
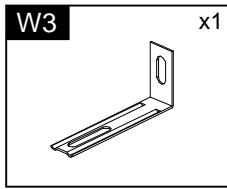
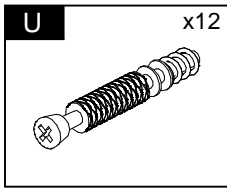
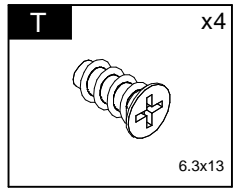
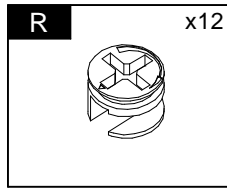
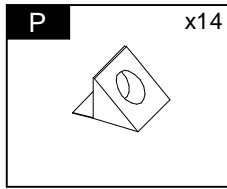
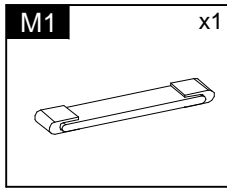
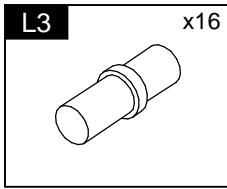
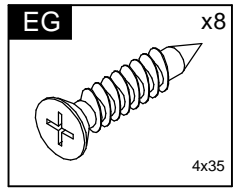
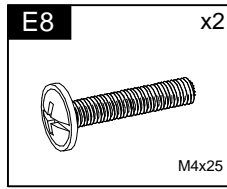
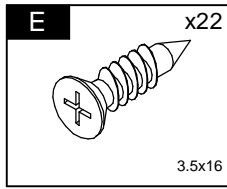
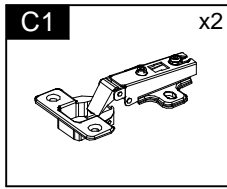
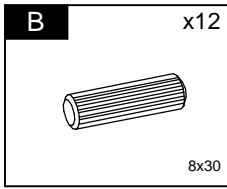
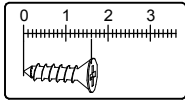
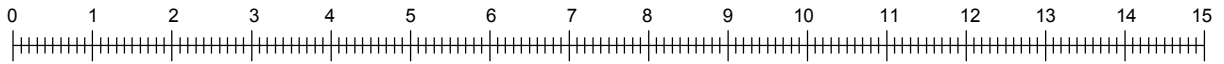
CONCORD

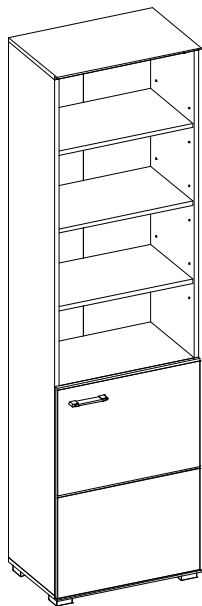
Typ R2



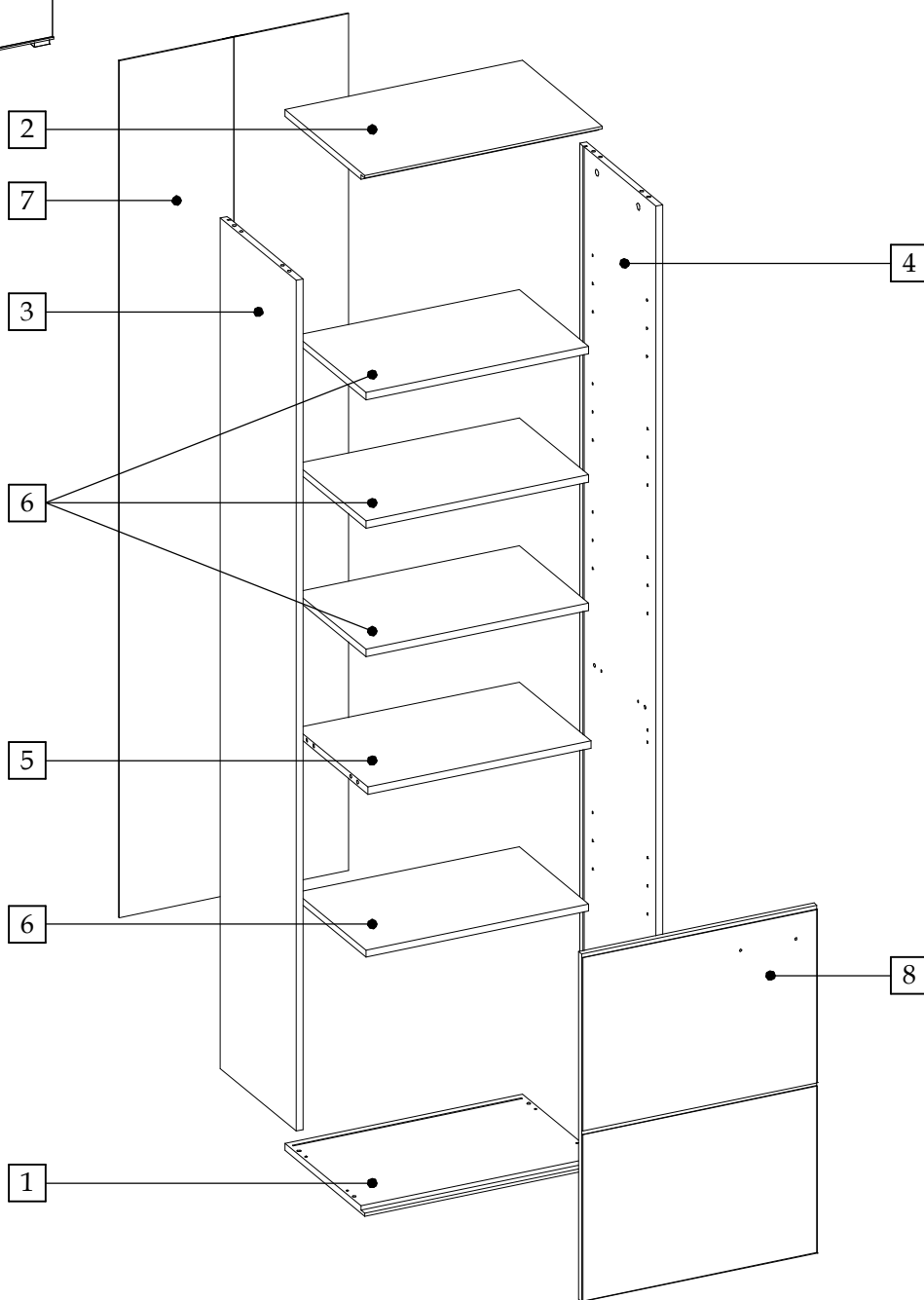
60 min

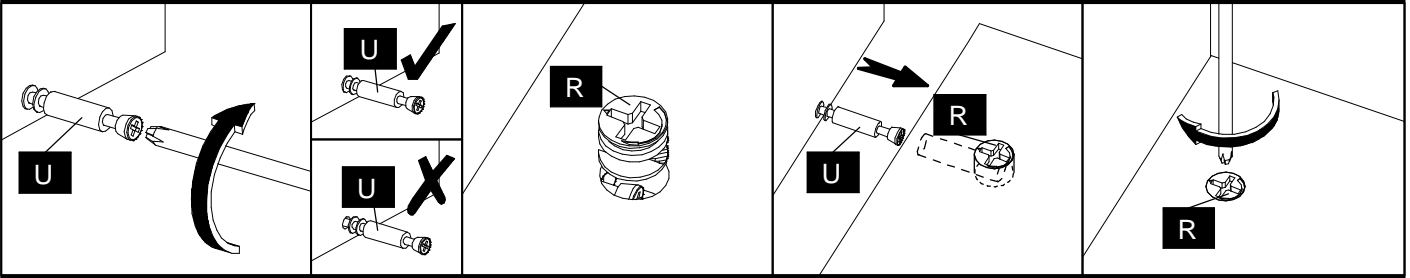




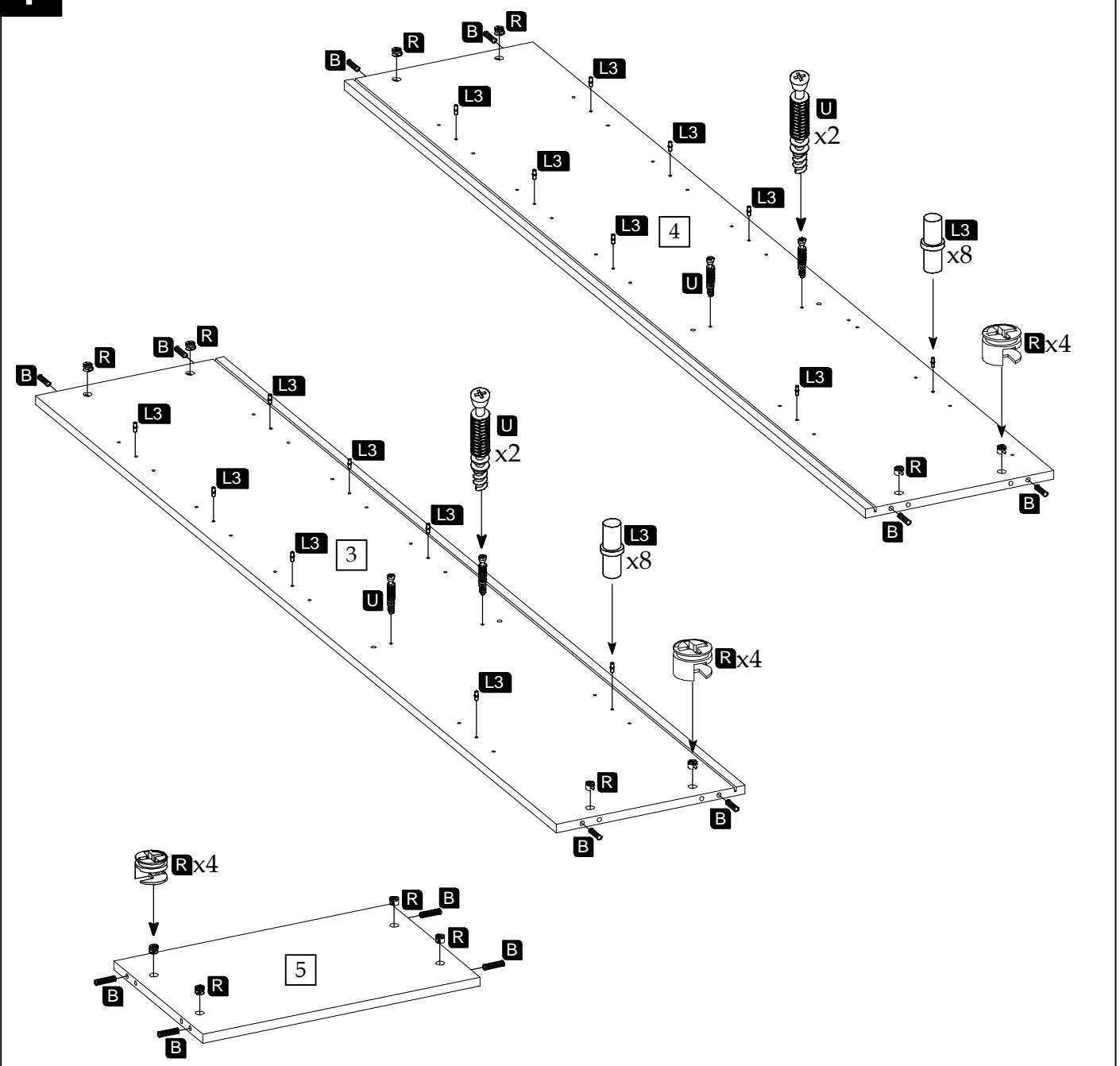


Element symbol	Measurements				Code	Paket
1	550	368	16	1	1002	1/2
2	550	368	16	1	1003	1/2
3	1934	351	16	1	1004	1/2
4	1934	351	16	1	1005	1/2
5	516	330.5	16	1	1001	1/2
6	516	320	16	4	N/A	1/2
7	1948	530	3	1	N/A	1/2
8	790	545	16	1	1001/3031	2/2

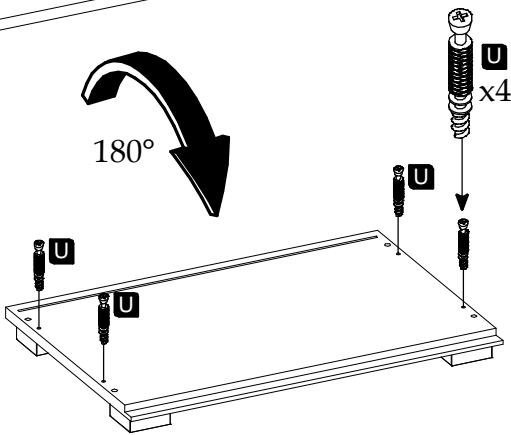
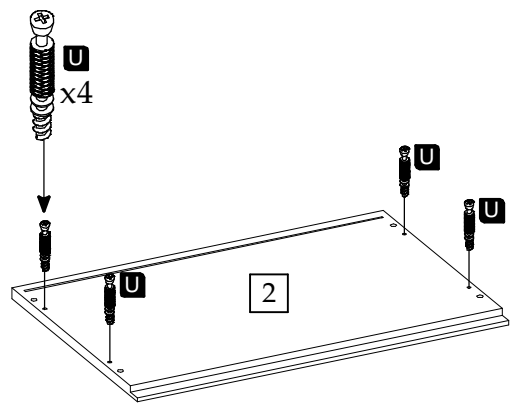
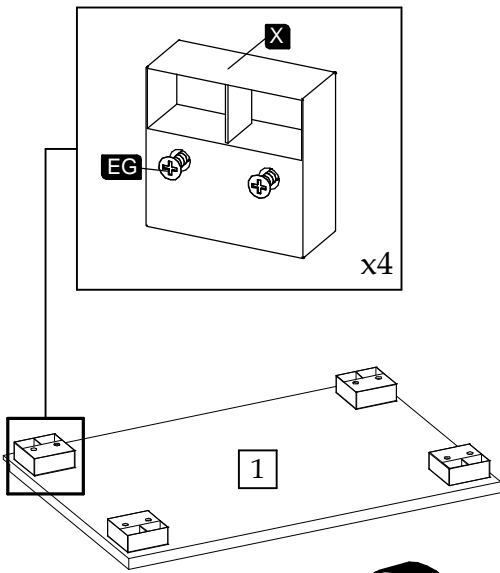




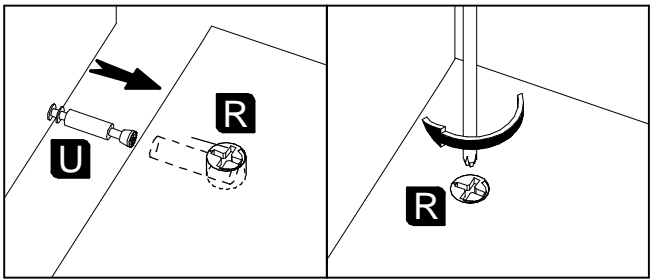
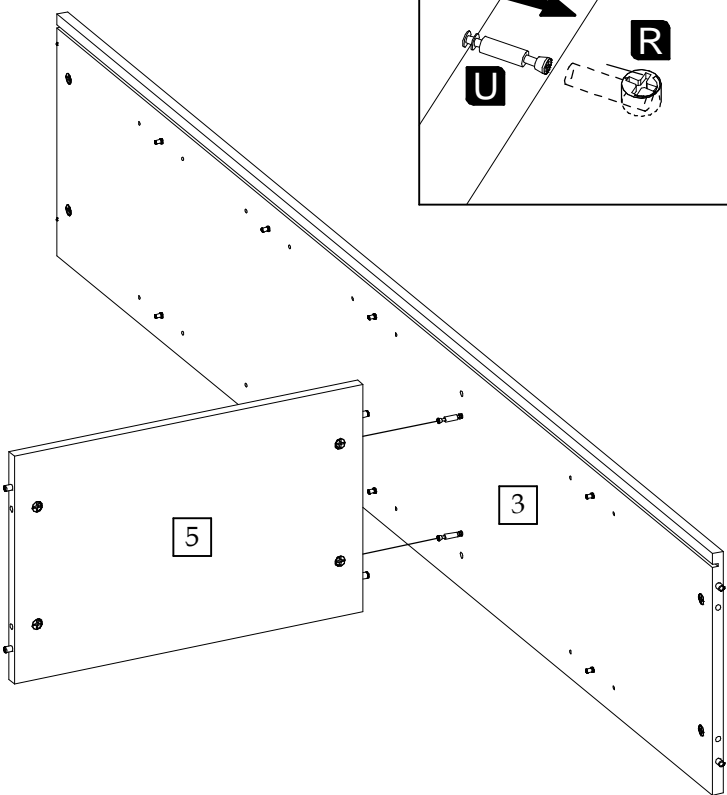
1



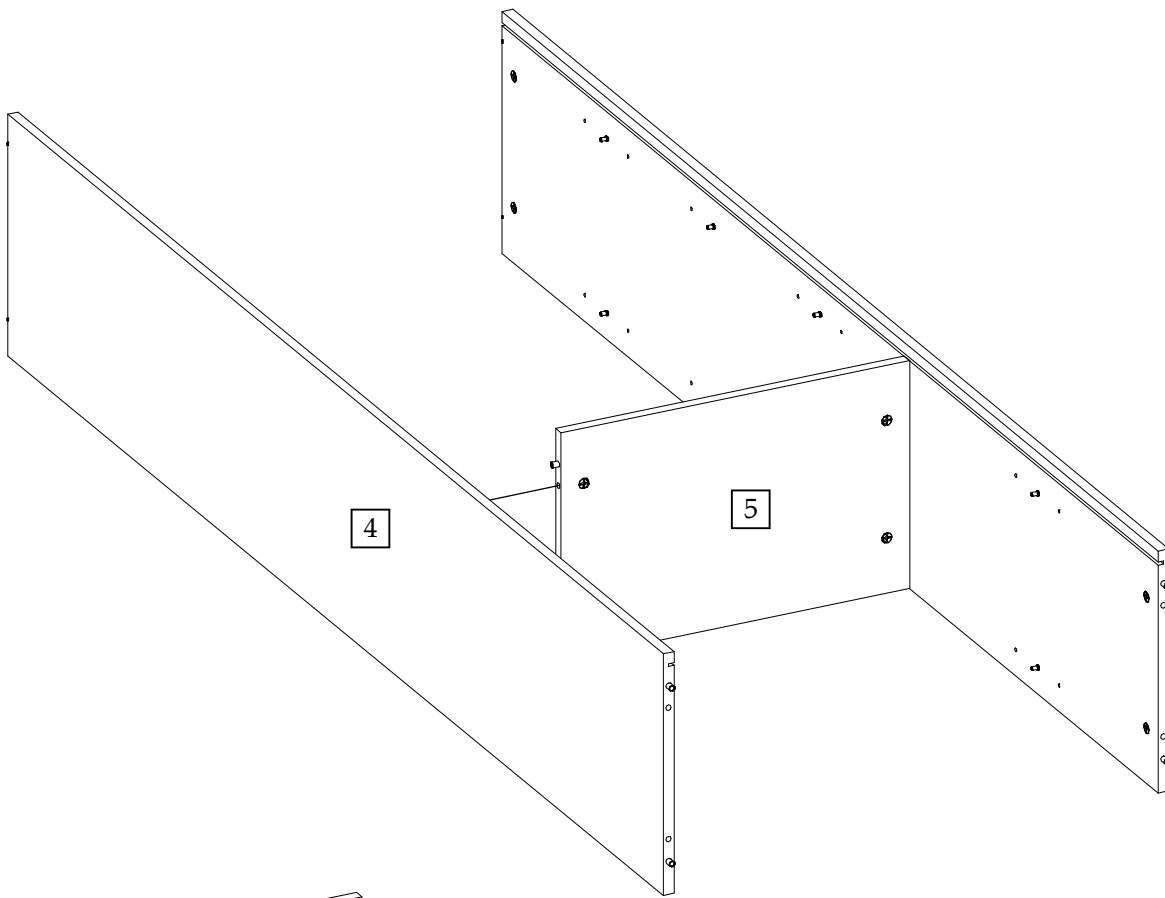
2



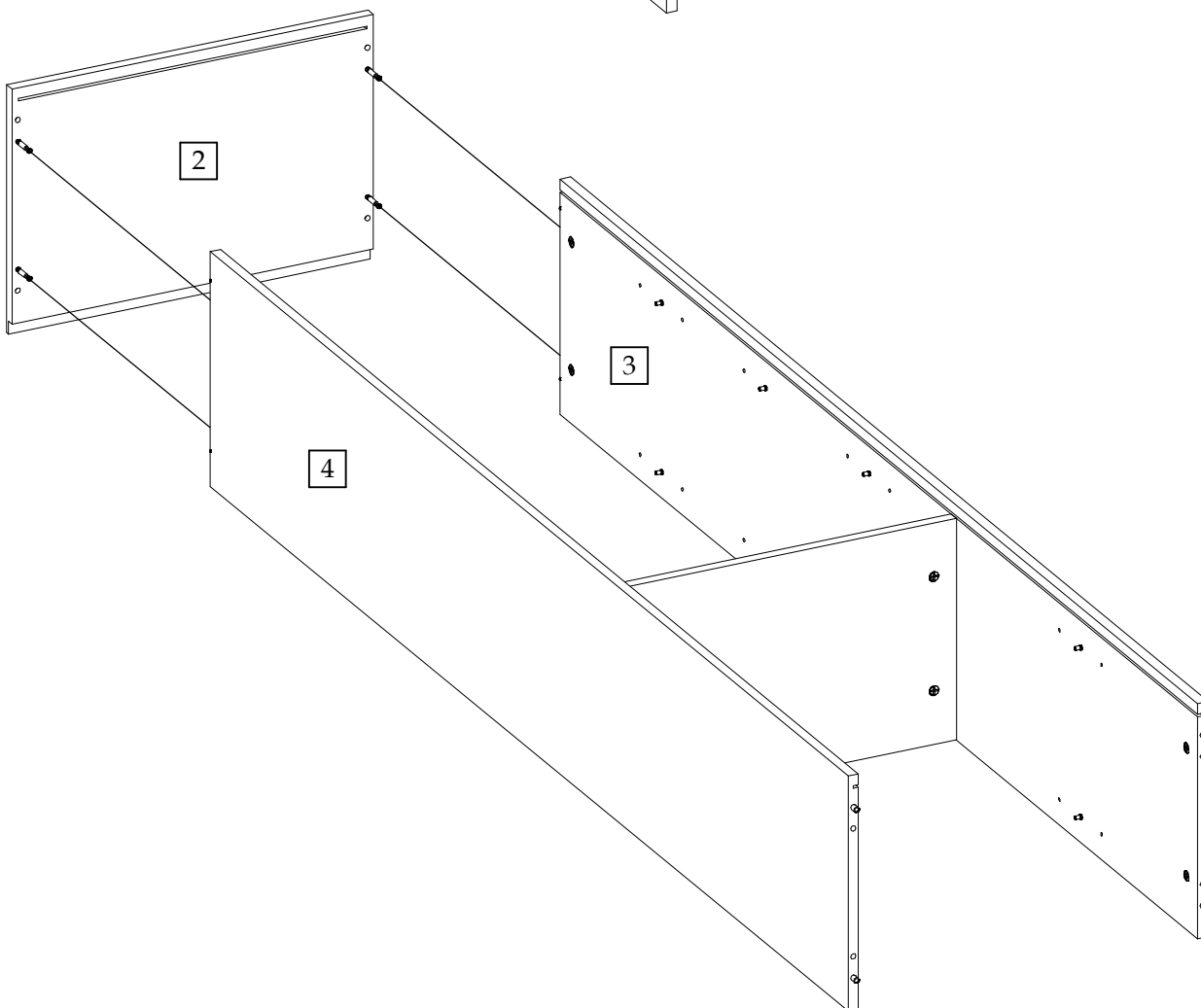
3



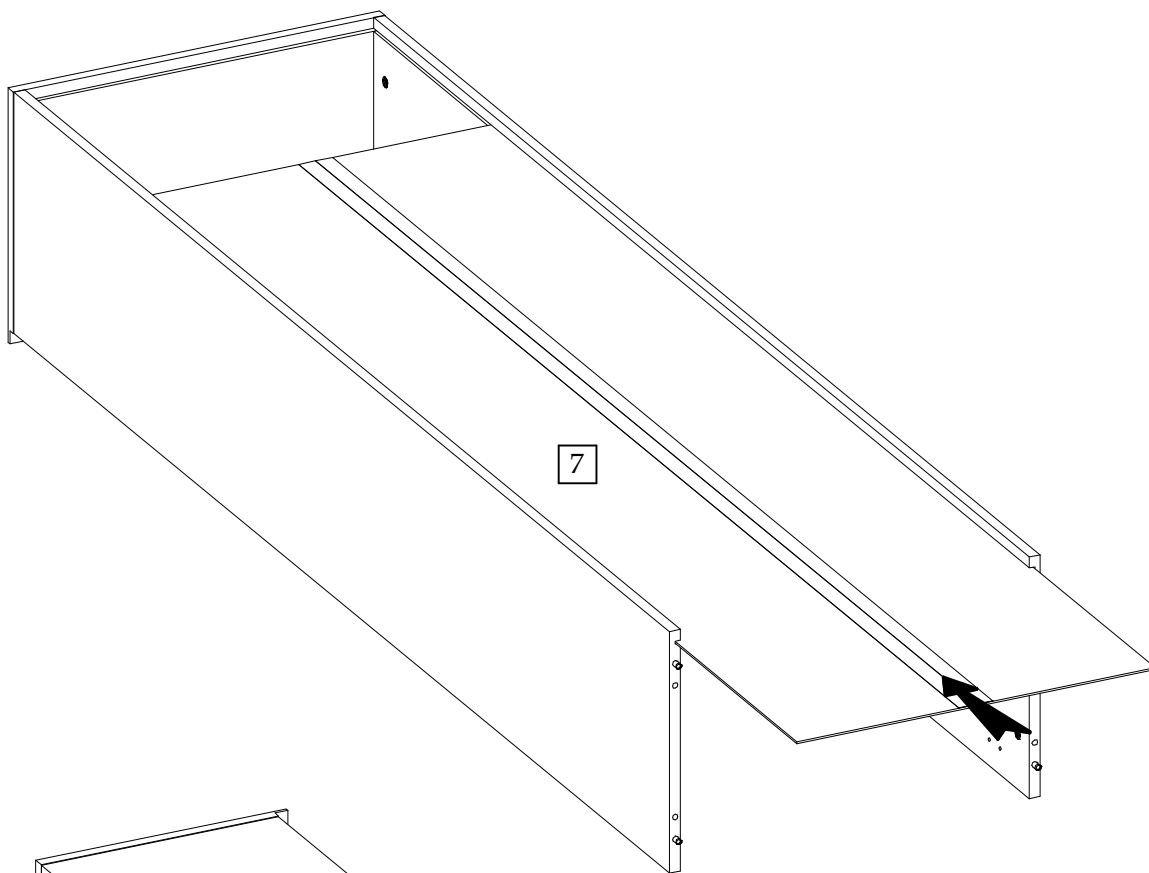
4



5



6



7

