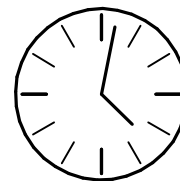
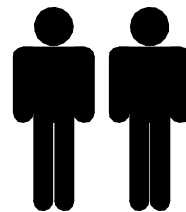
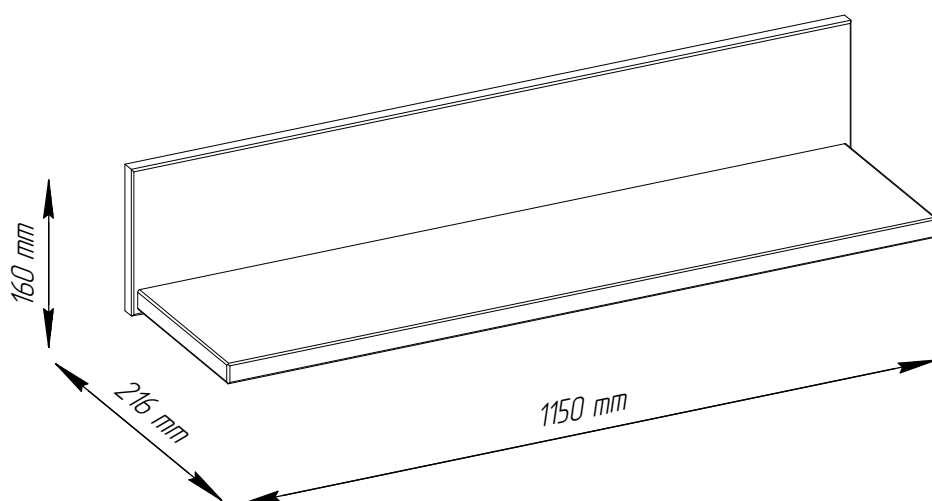


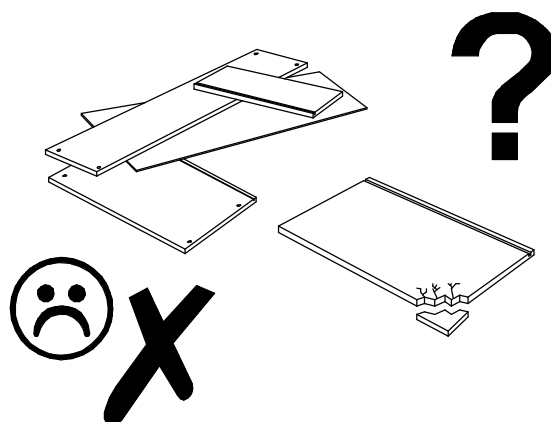
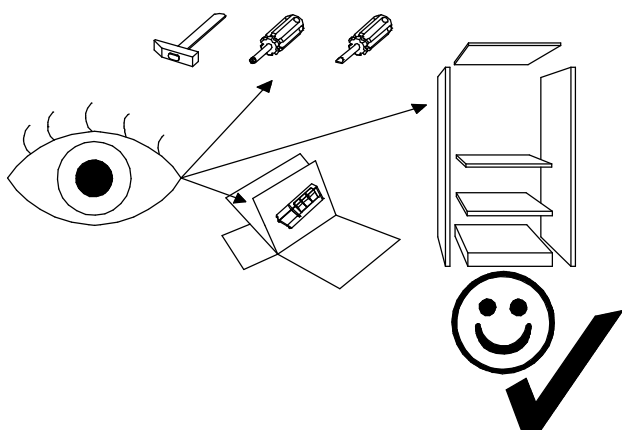
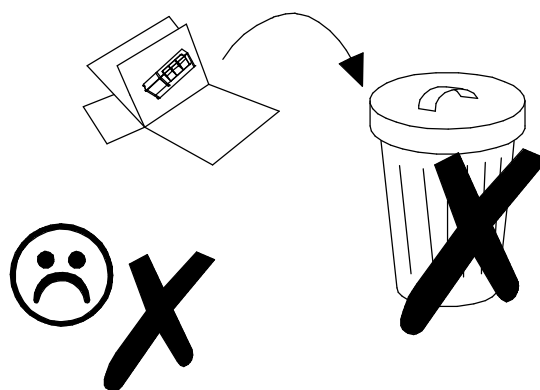
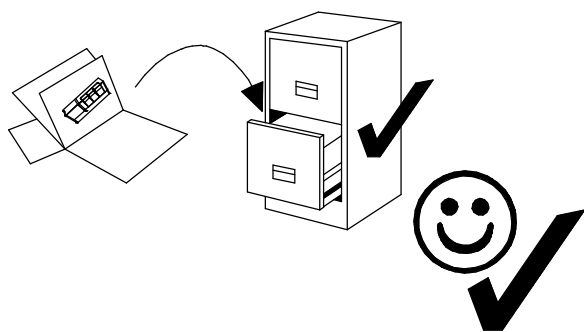
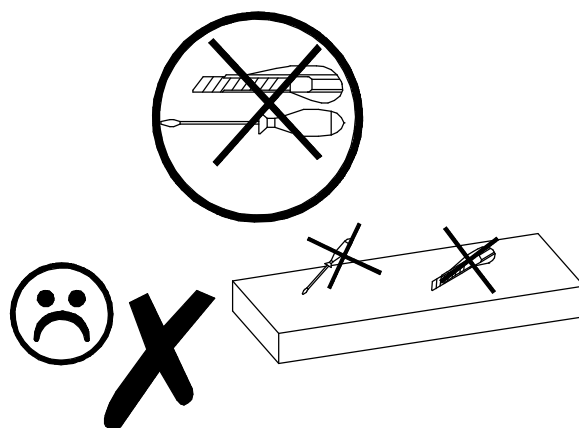
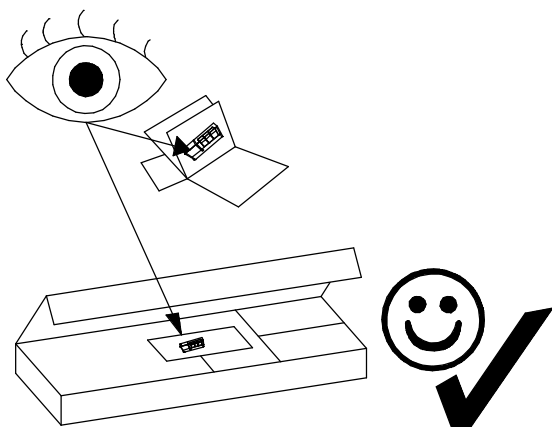
CONCORD

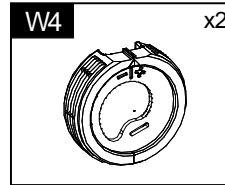
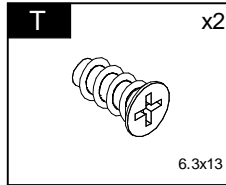
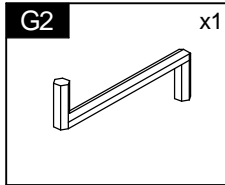
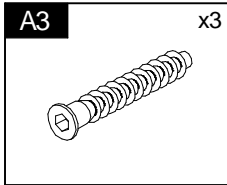
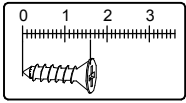
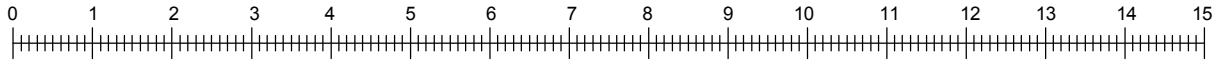
Typ U



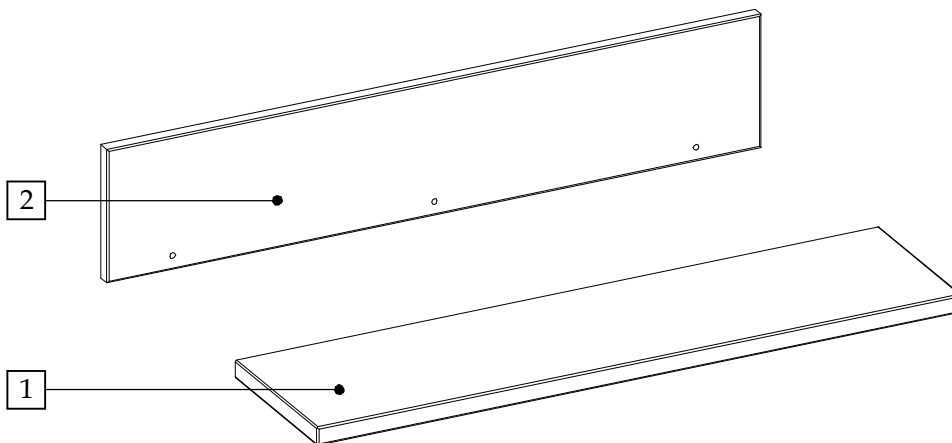
10 min



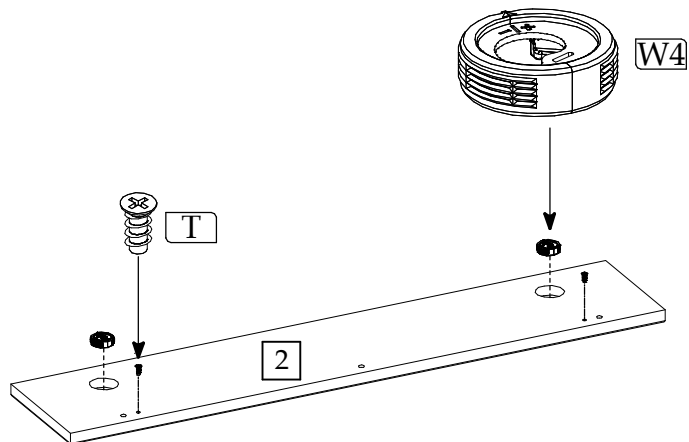




Element symbol	Measurements				Code	Paket
1	788	200	22	1	1001	1/1
2	800	160	16	1	1019/3019	1/1



1



2

