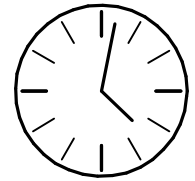
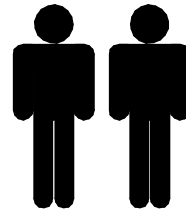
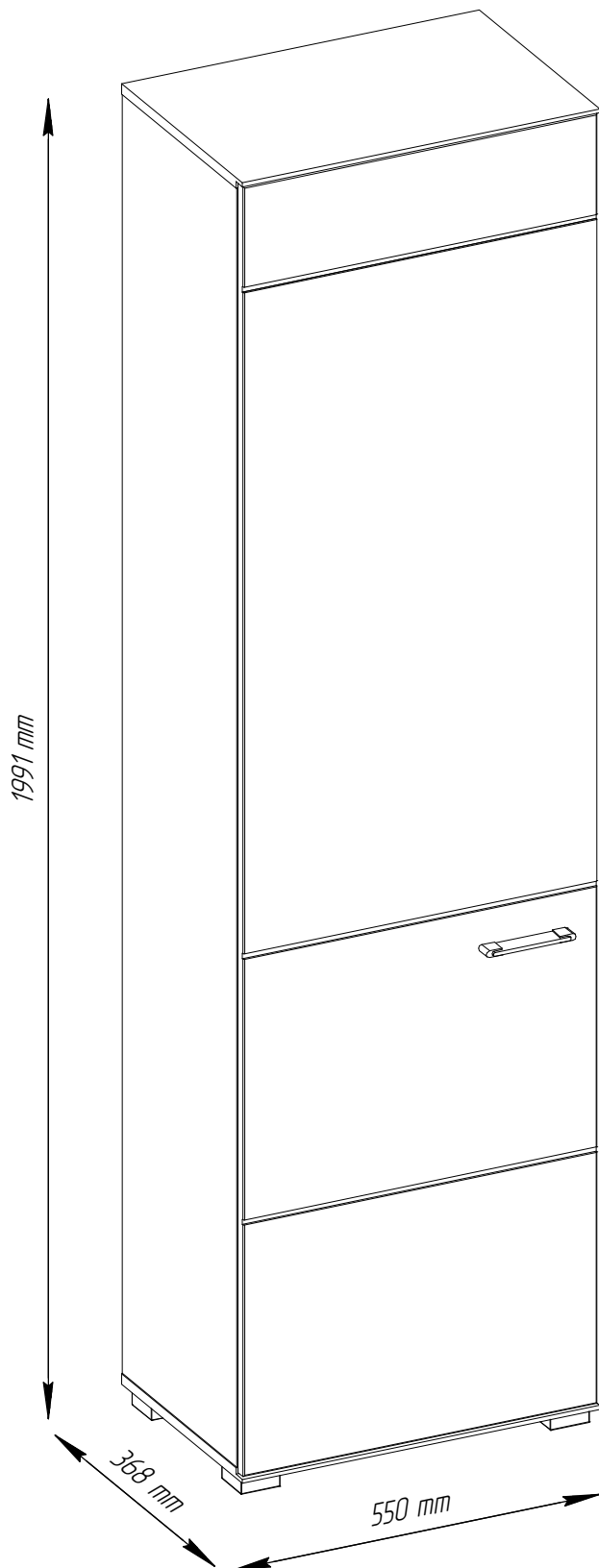
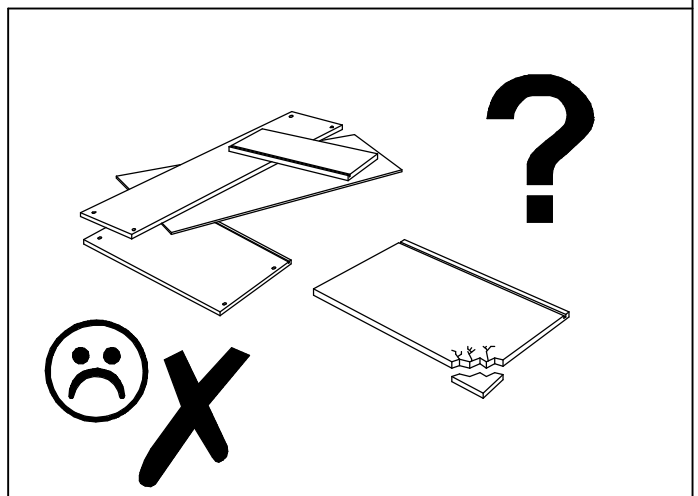
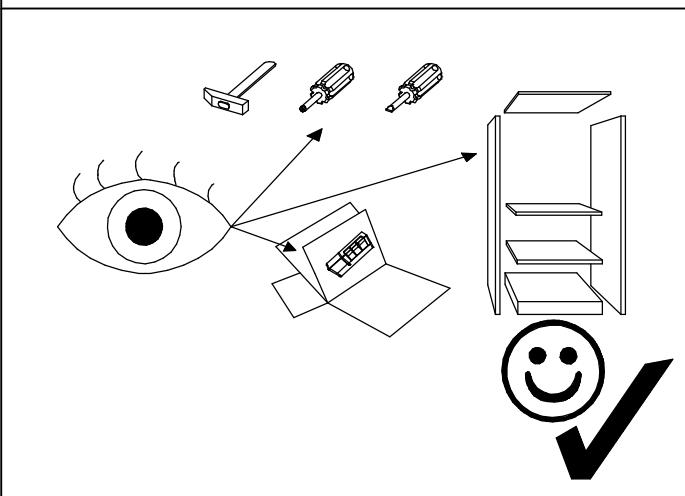
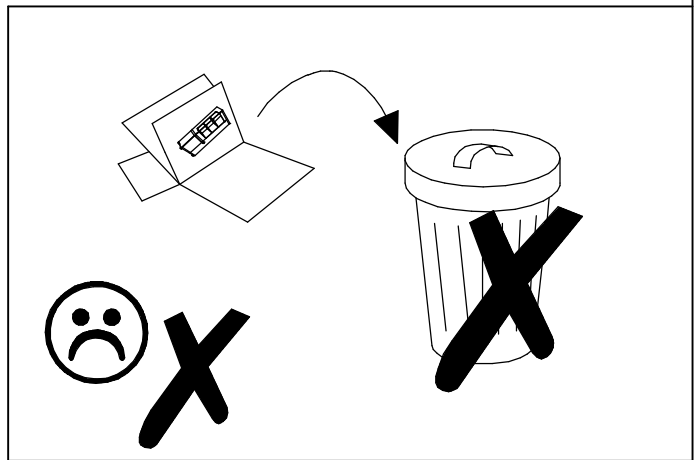
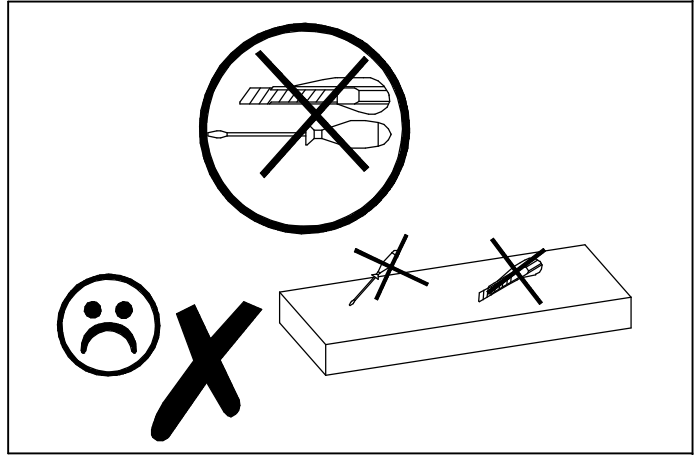
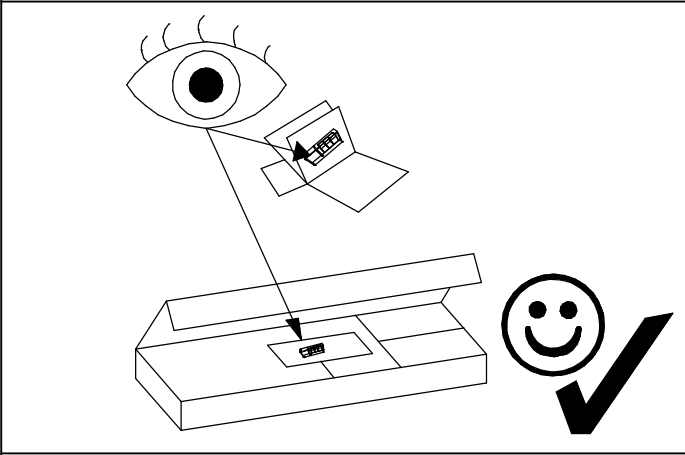


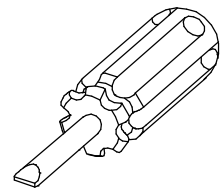
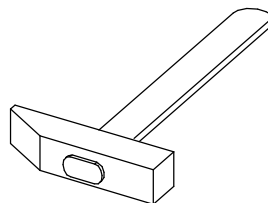
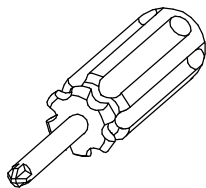
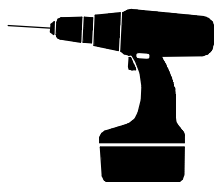
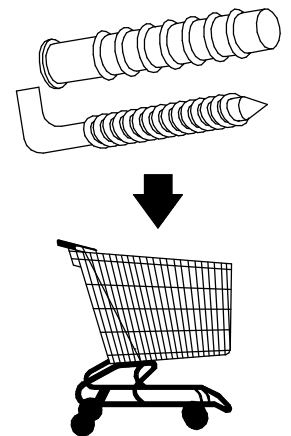
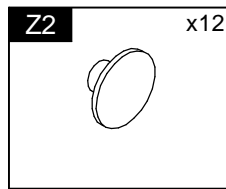
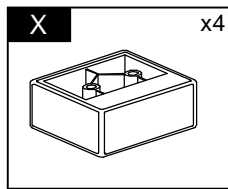
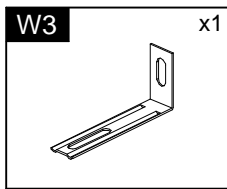
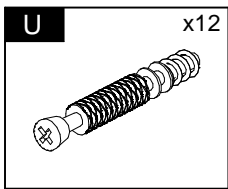
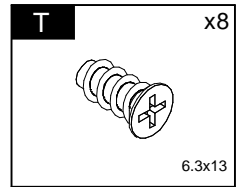
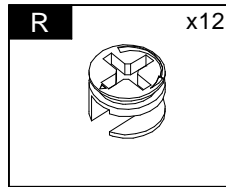
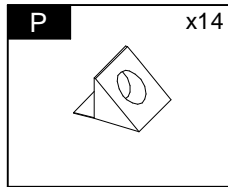
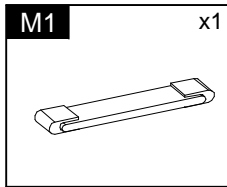
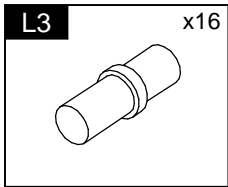
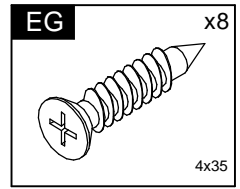
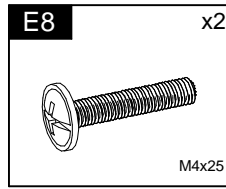
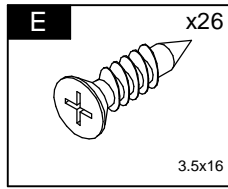
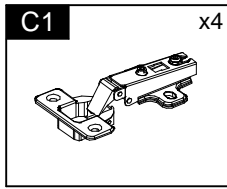
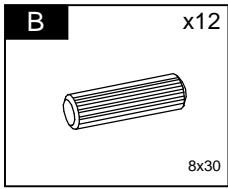
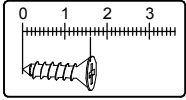
CONCORD

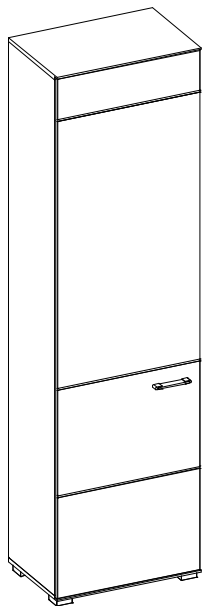
Typ V1



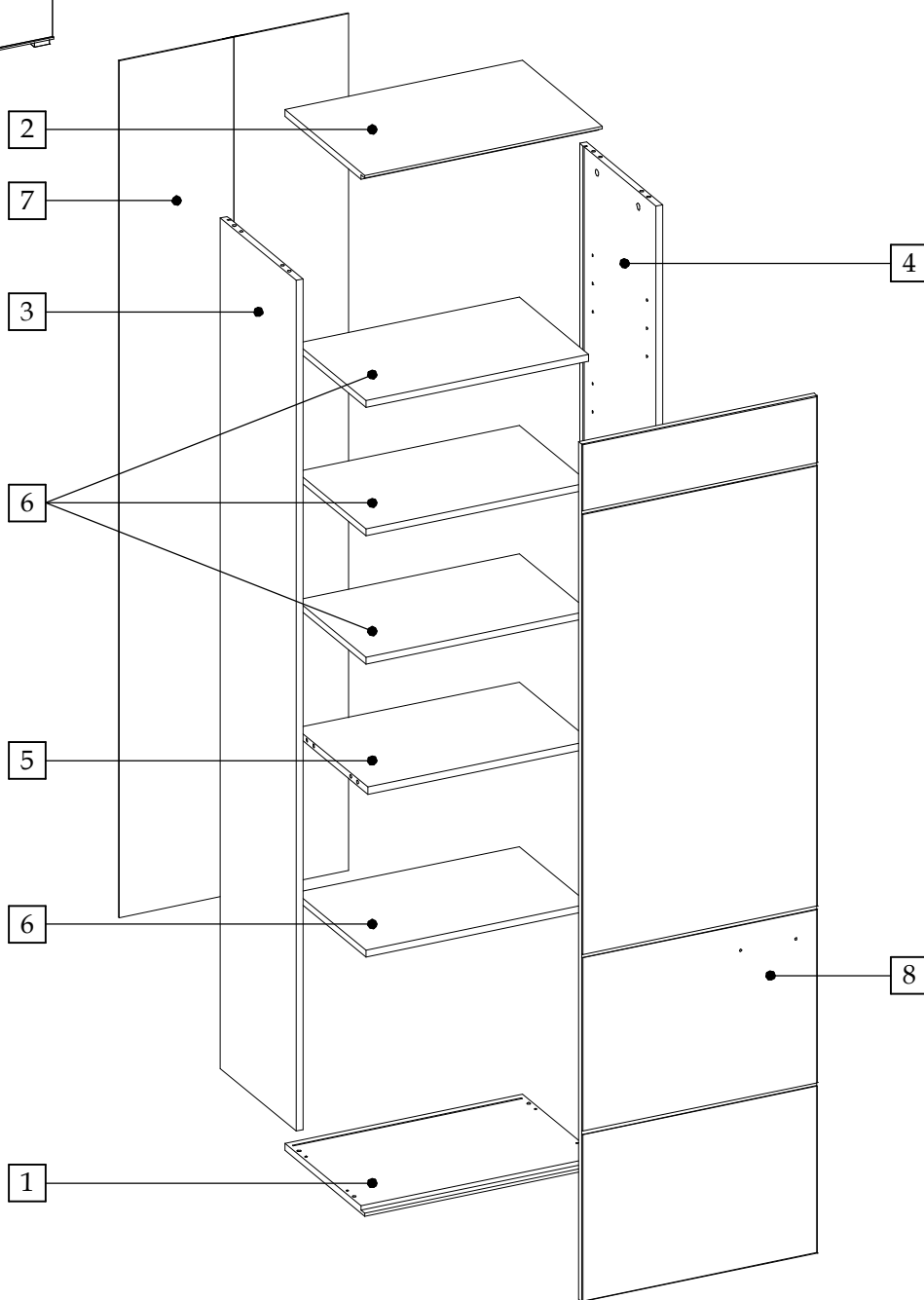
60 min





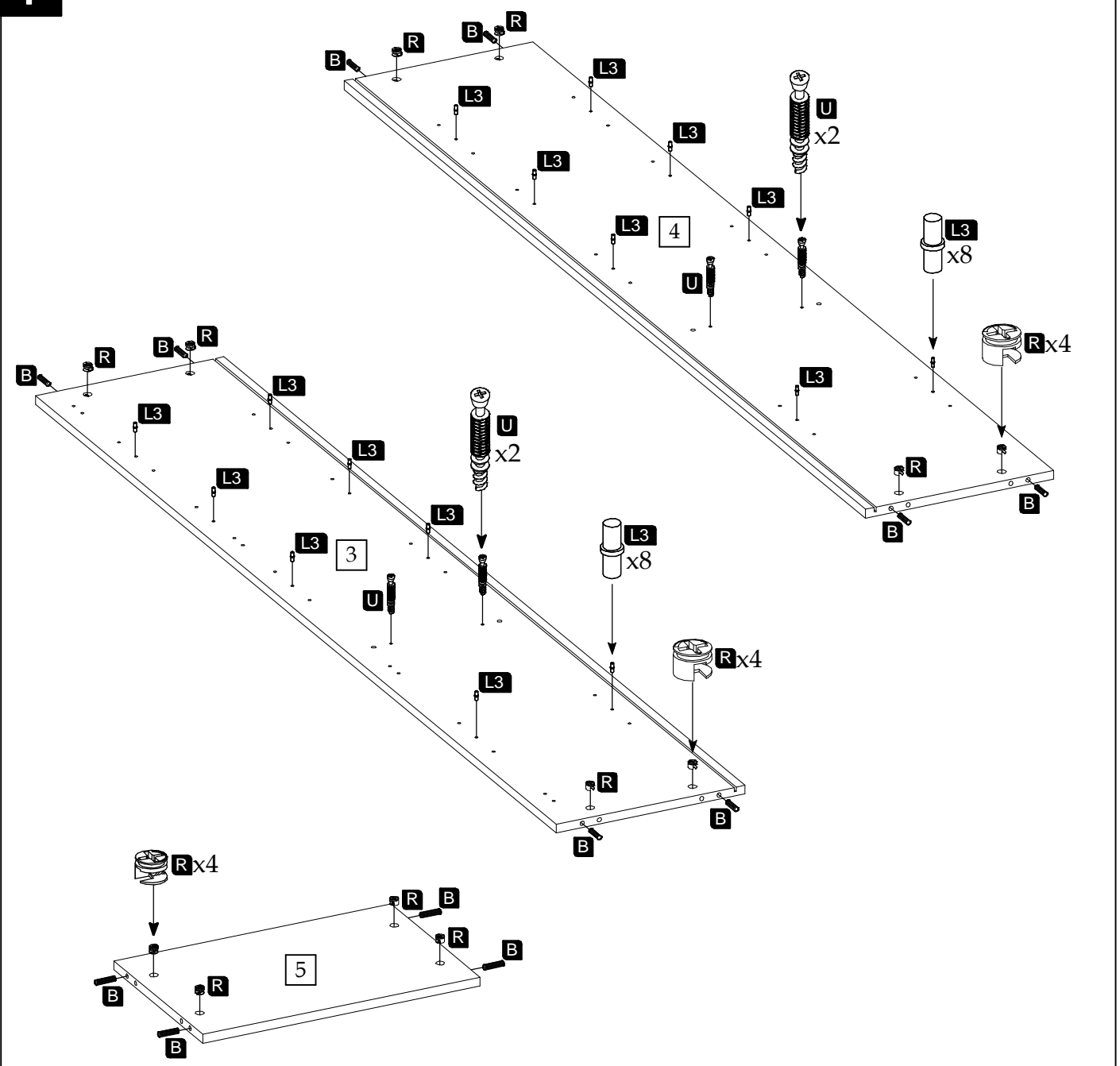


| Element symbol | Measurements | | | | Code | Paket |
|----------------|--------------|-------|----|---|-----------|-------|
| | 1 | 2 | 3 | 4 | | |
| 1 | 550 | 368 | 16 | 1 | 1002 | 1/2 |
| 2 | 550 | 368 | 16 | 1 | 1003 | 1/2 |
| 3 | 1934 | 351 | 16 | 1 | 1004 | 1/2 |
| 4 | 1934 | 351 | 16 | 1 | 1005 | 1/2 |
| 5 | 516 | 330.5 | 16 | 1 | 1001 | 1/2 |
| 6 | 516 | 320 | 16 | 4 | N/A | 1/2 |
| 7 | 1948 | 530 | 3 | 1 | N/A | 1/2 |
| 8 | 1950 | 545 | 16 | 1 | 1017/3033 | 2/2 |

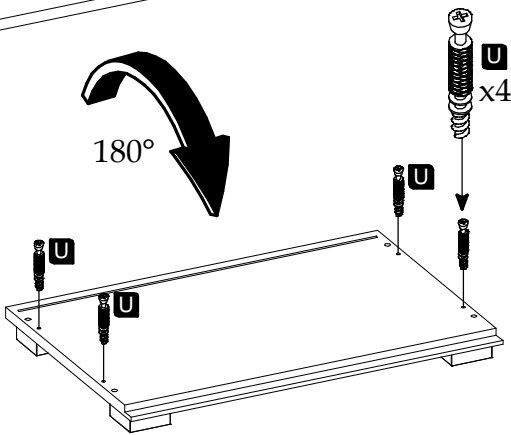
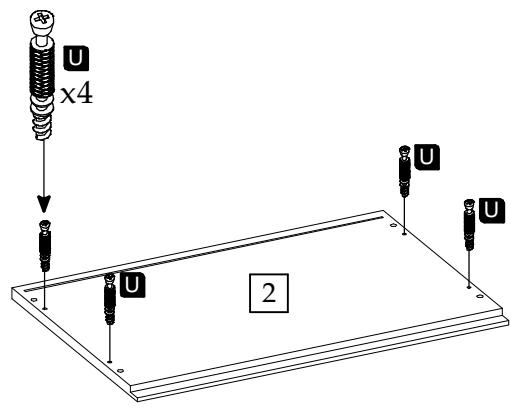
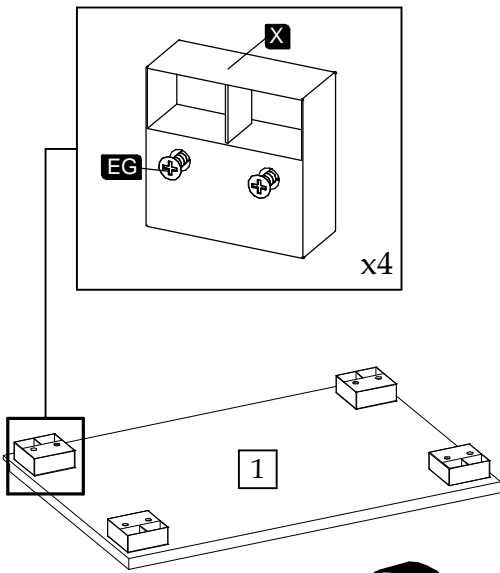




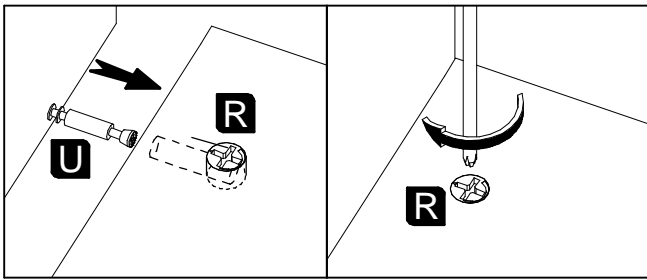
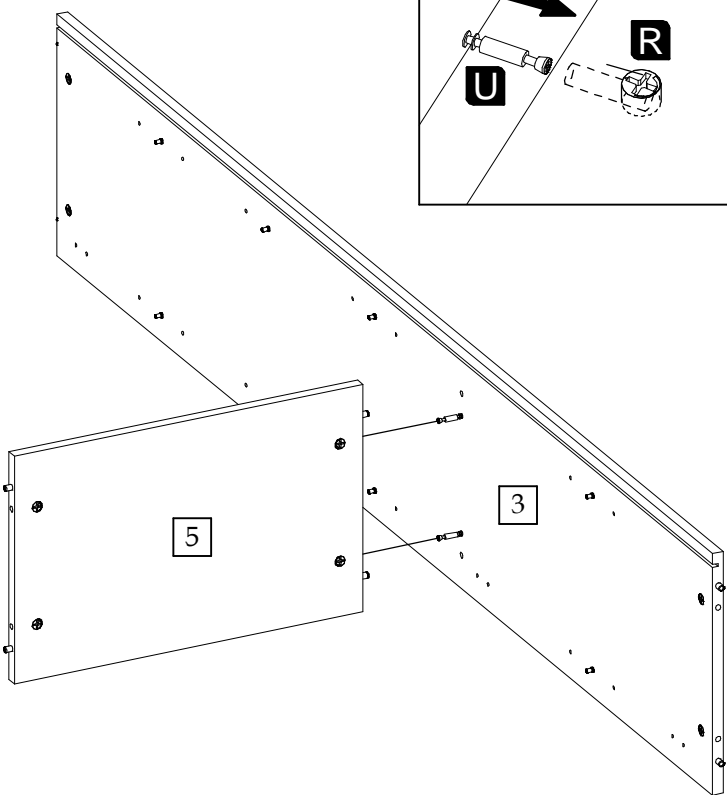
1



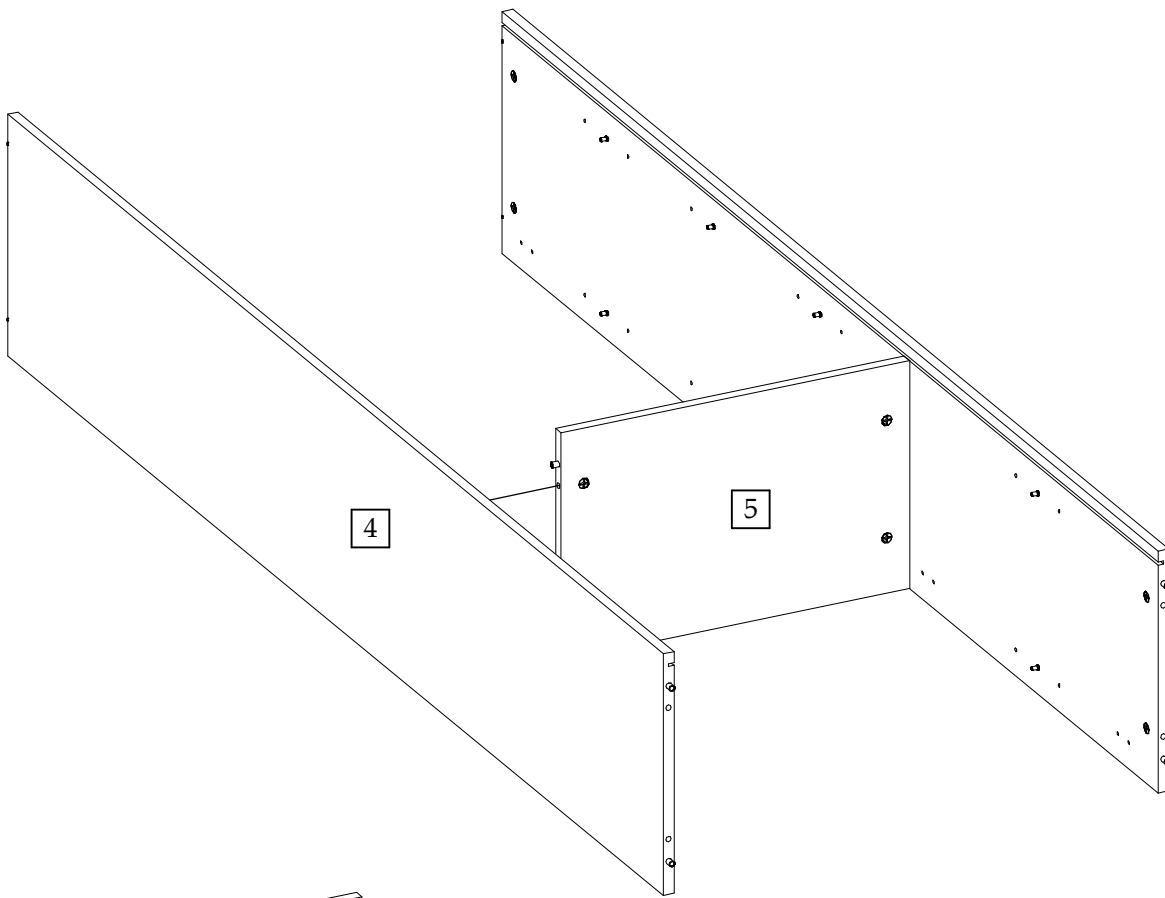
2



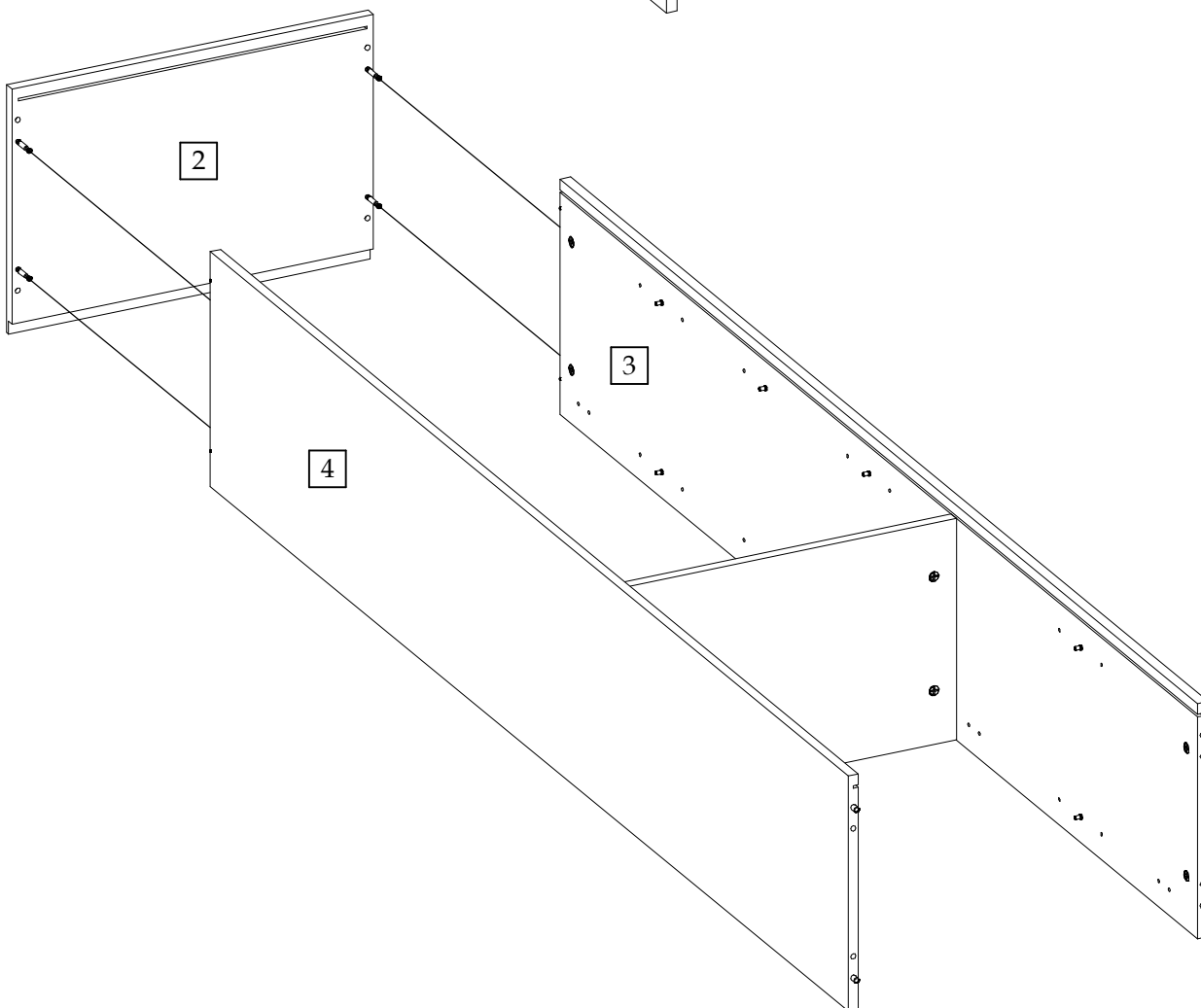
3



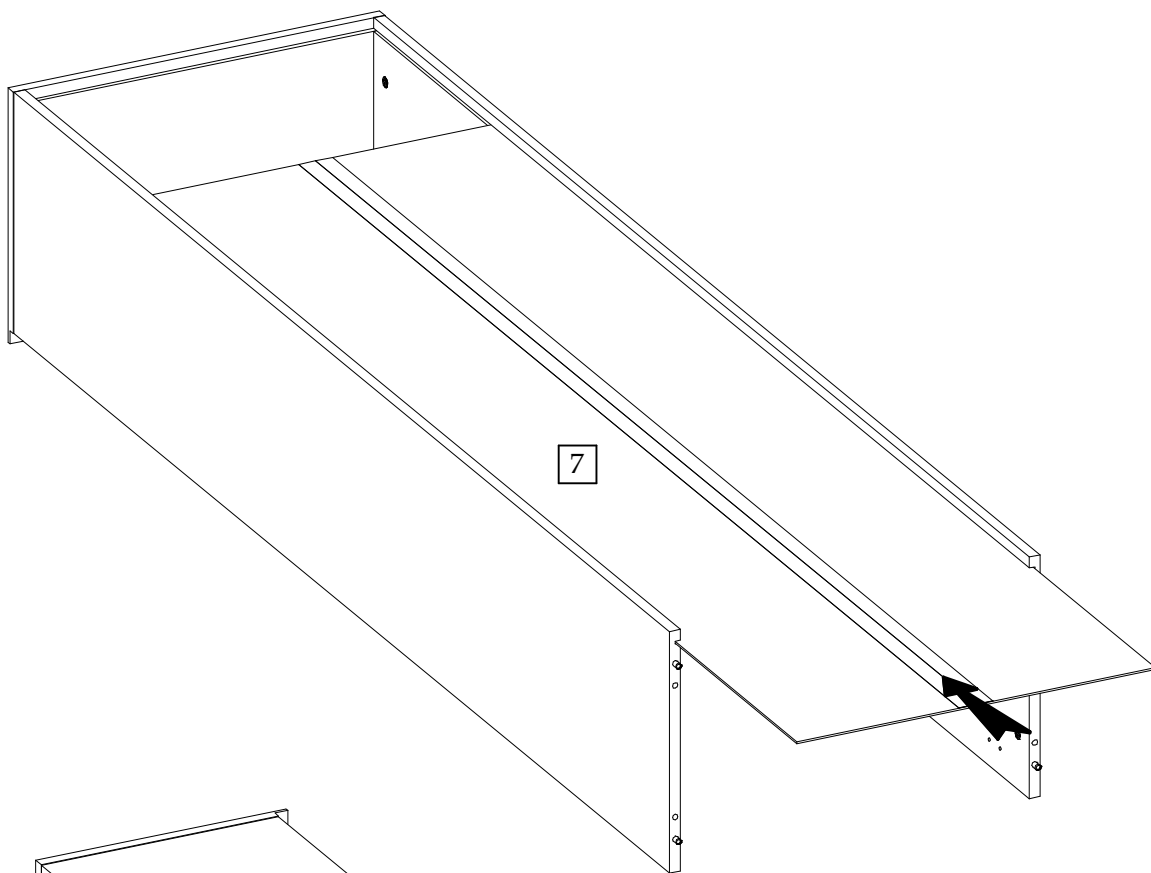
4



5



6



7

