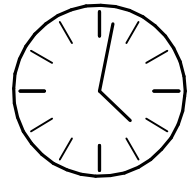
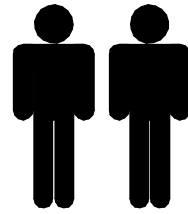
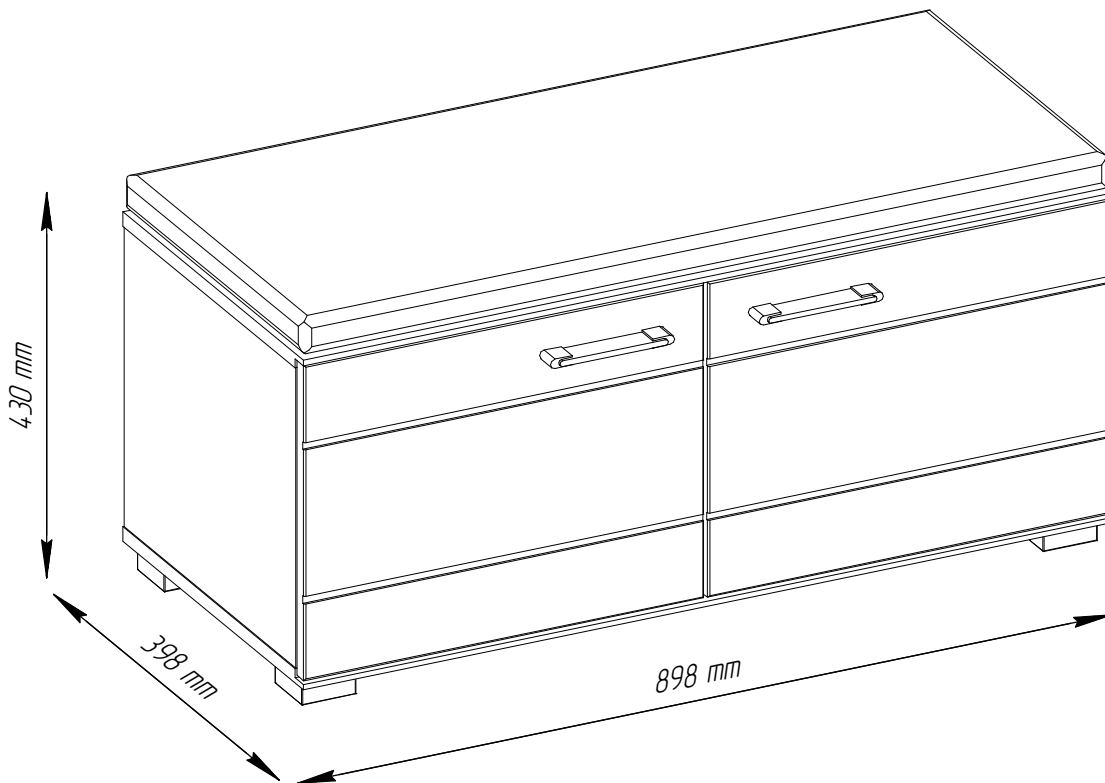


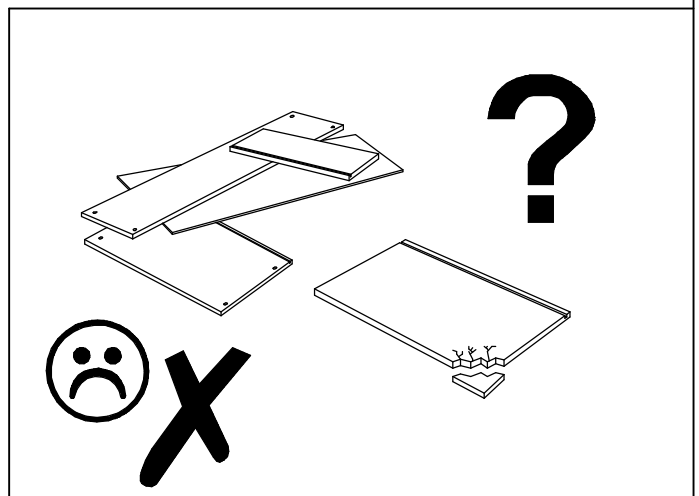
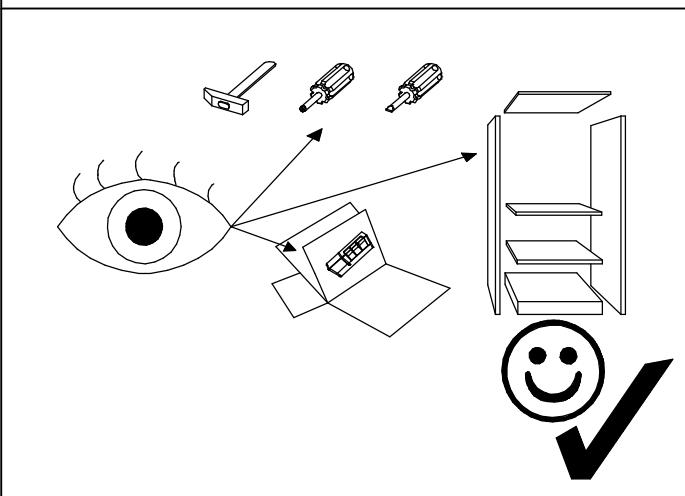
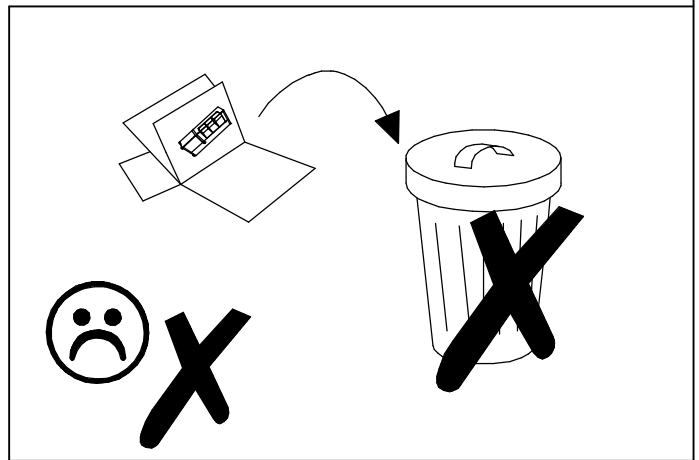
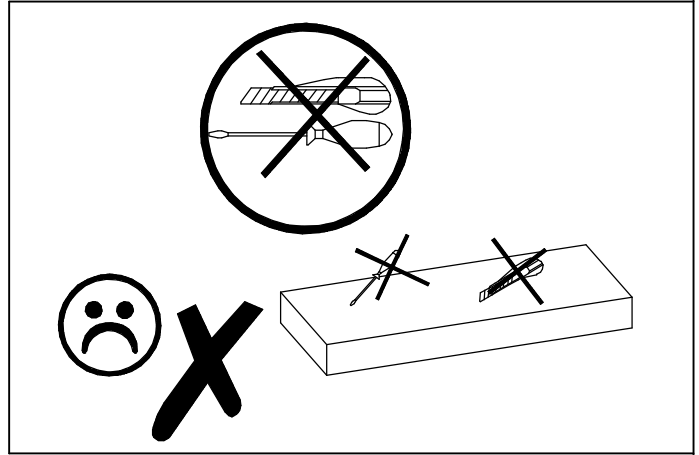
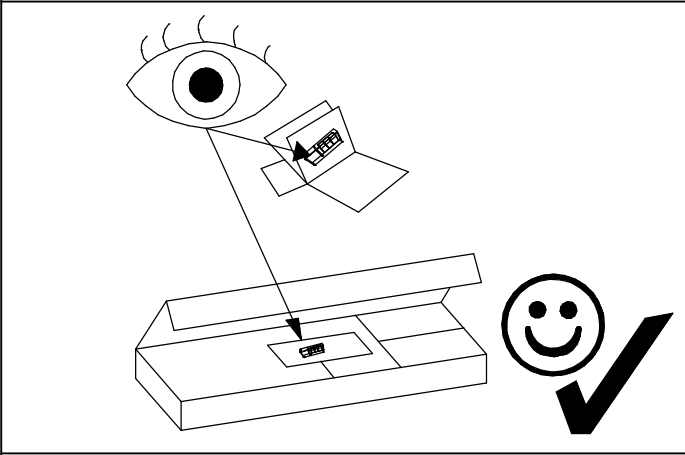
# CONCORD

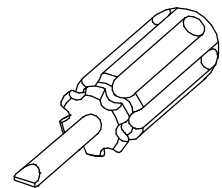
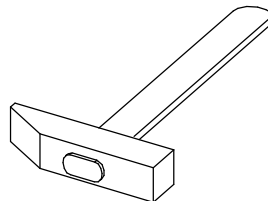
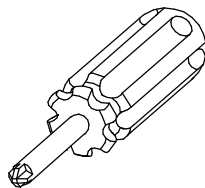
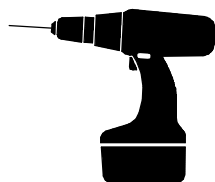
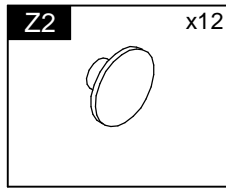
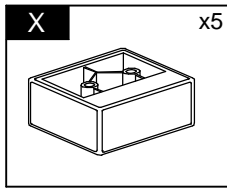
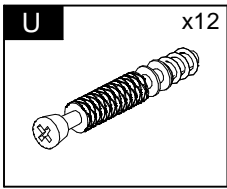
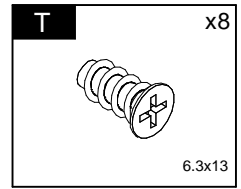
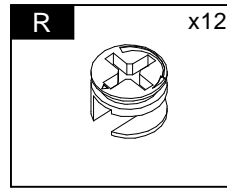
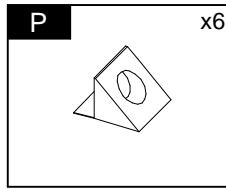
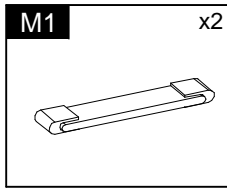
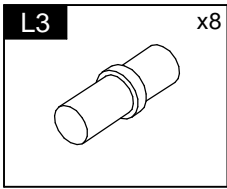
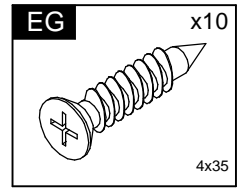
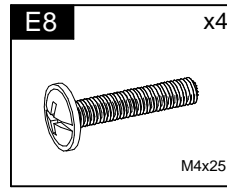
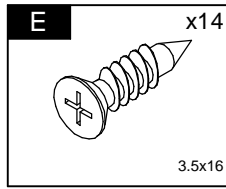
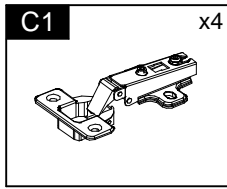
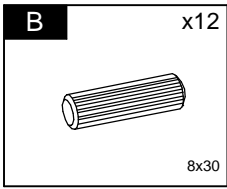
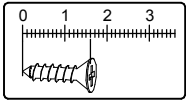
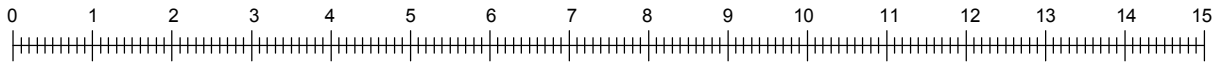
Typ Y

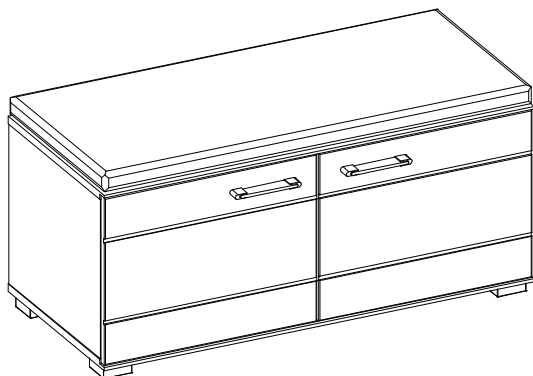


45 min

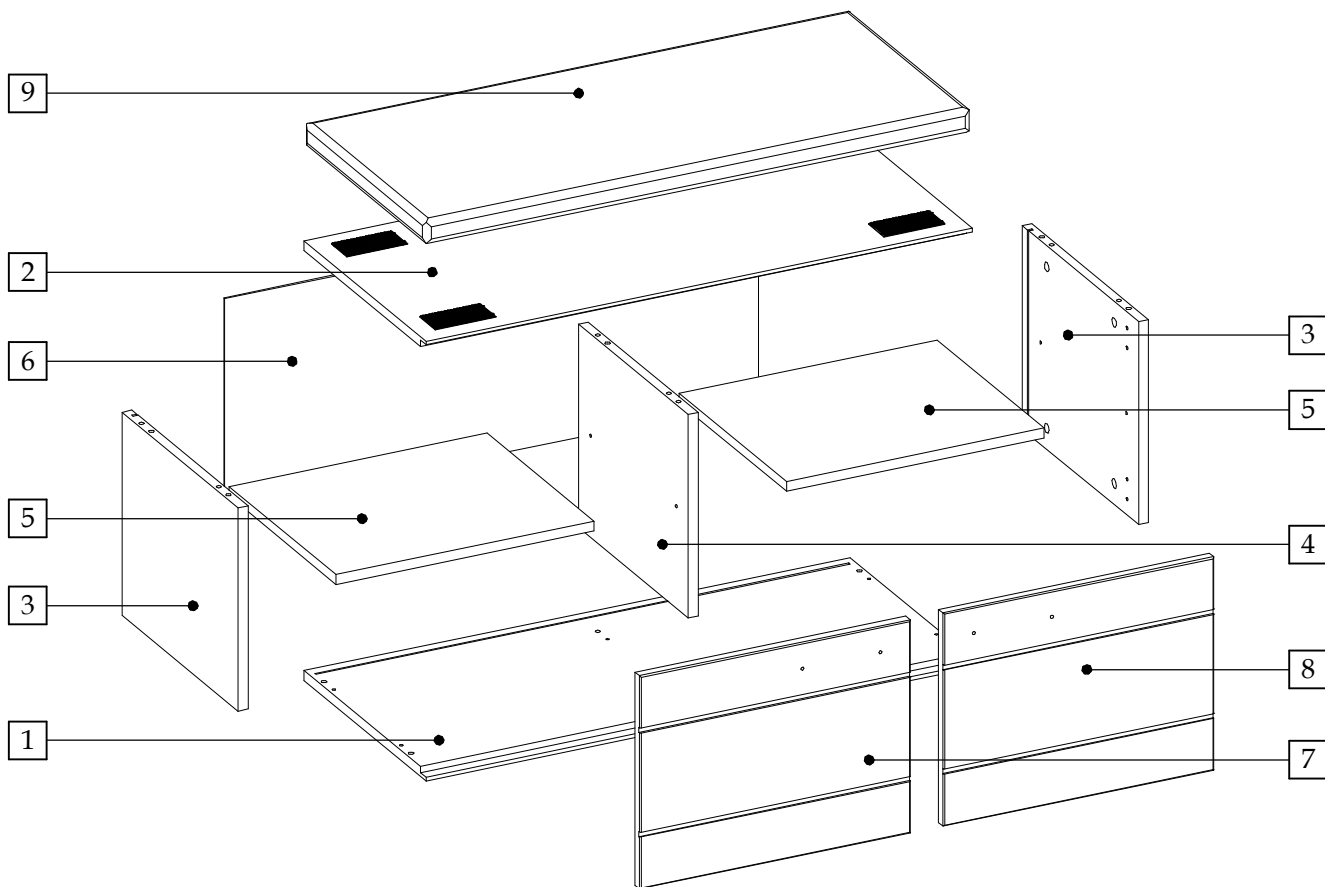






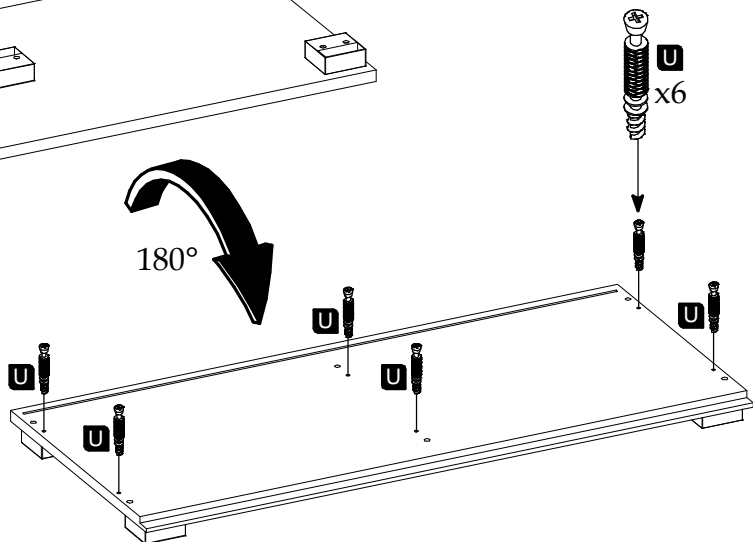
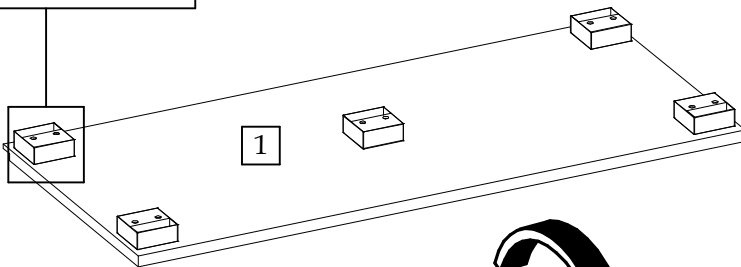
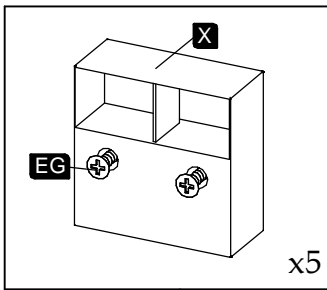
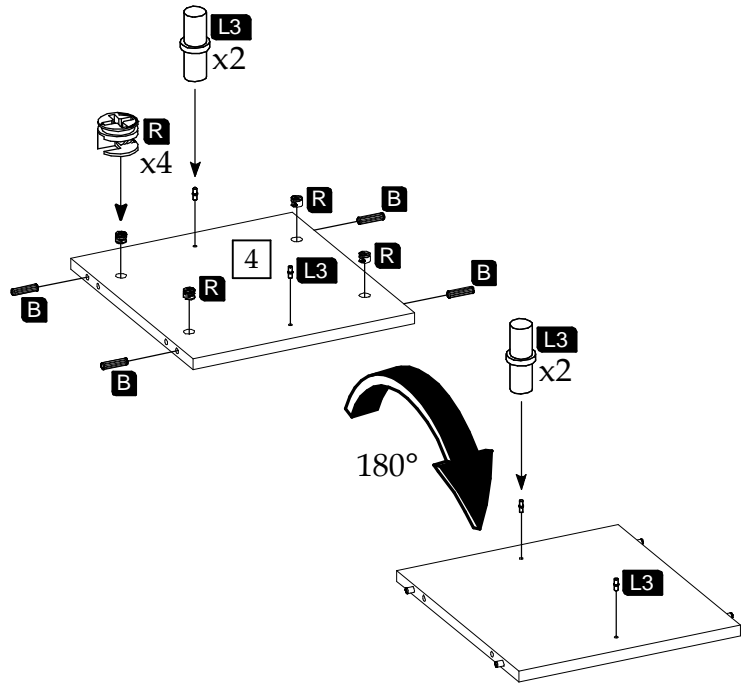
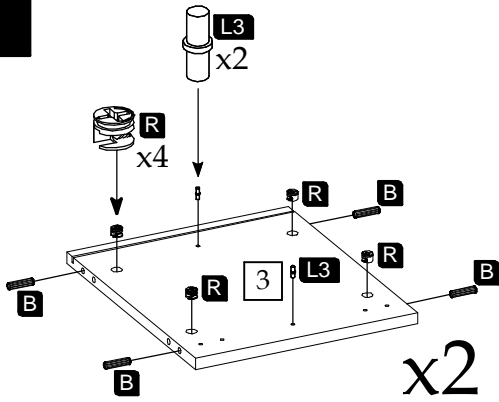


Element symbol	Measurements				Code	Paket
1	898	398	16	1	1001	1/2
2	898	398	16	1	1002	1/2
3	328	381	16	2	1003	1/2
4	328	360.5	16	1	1005	1/2
5	423.5	350	16	2	N/A	1/2
6	878	342	3	1	N/A	1/2
7	344	445	16	1	1018/3031	2/2
8	344	445	16	1	1018/3030	2/2
9	898	398	45	1	N/A	1/2

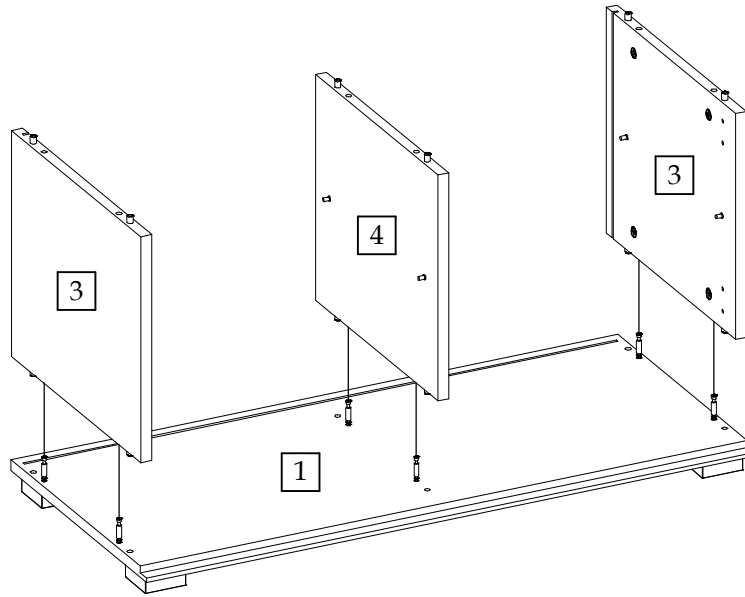
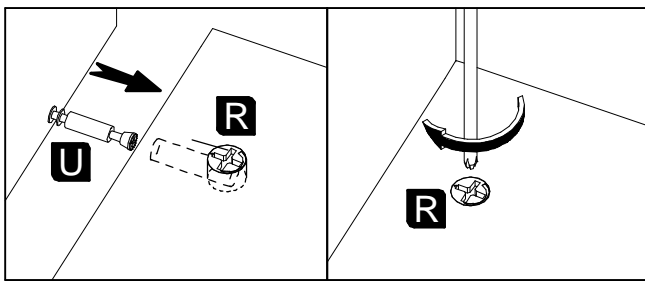




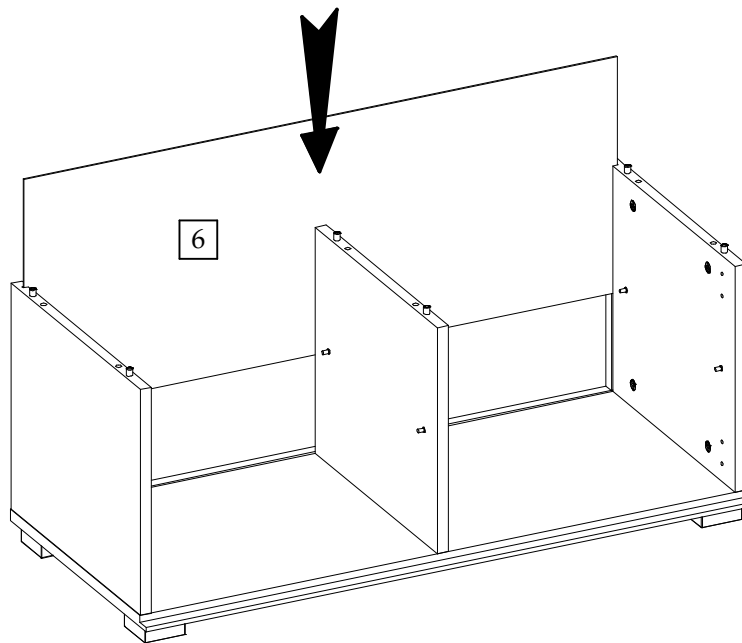
1



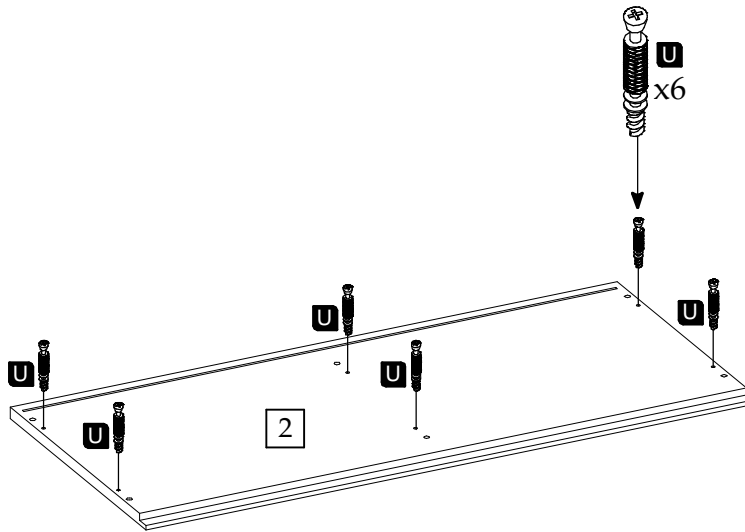
2



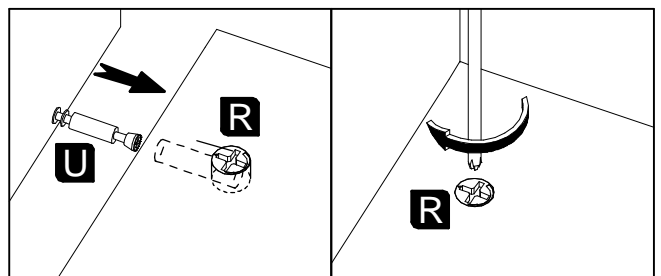
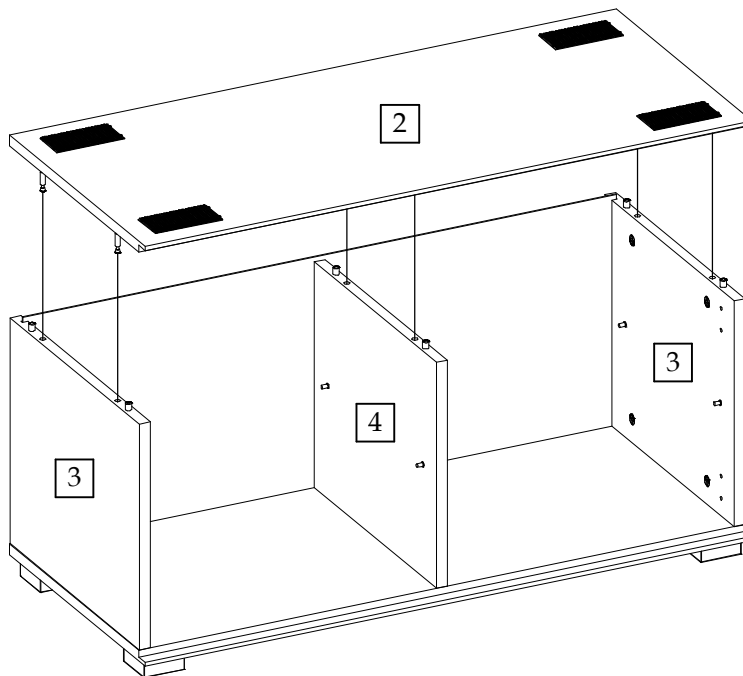
3



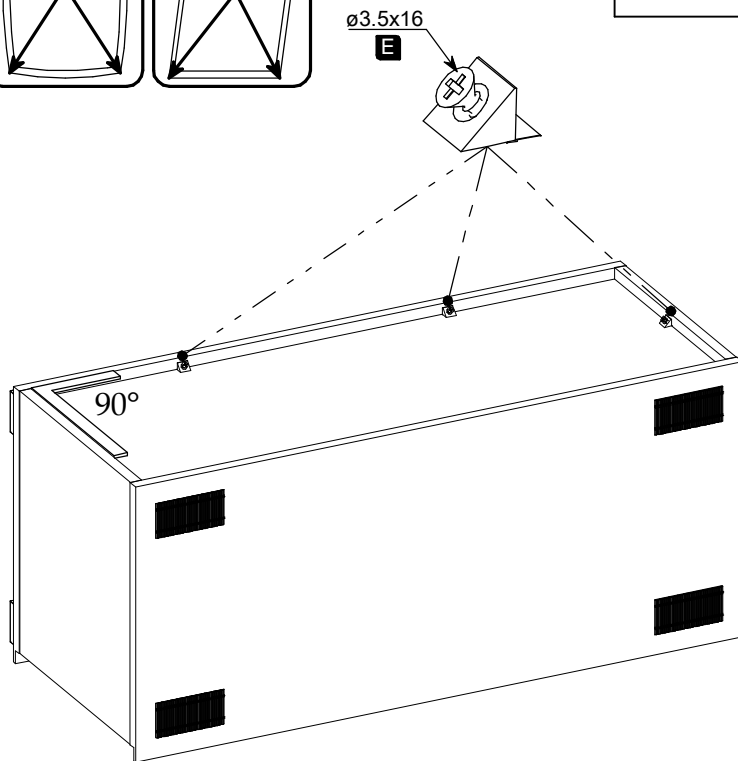
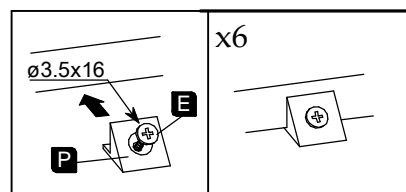
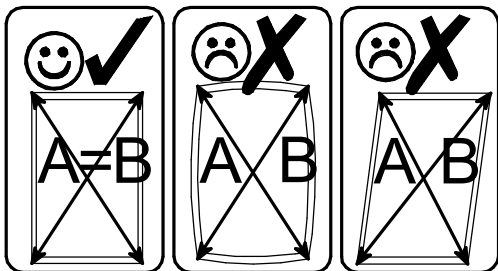
4



5



6



7

