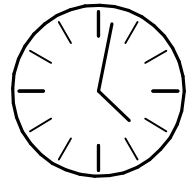
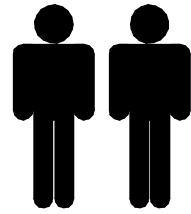
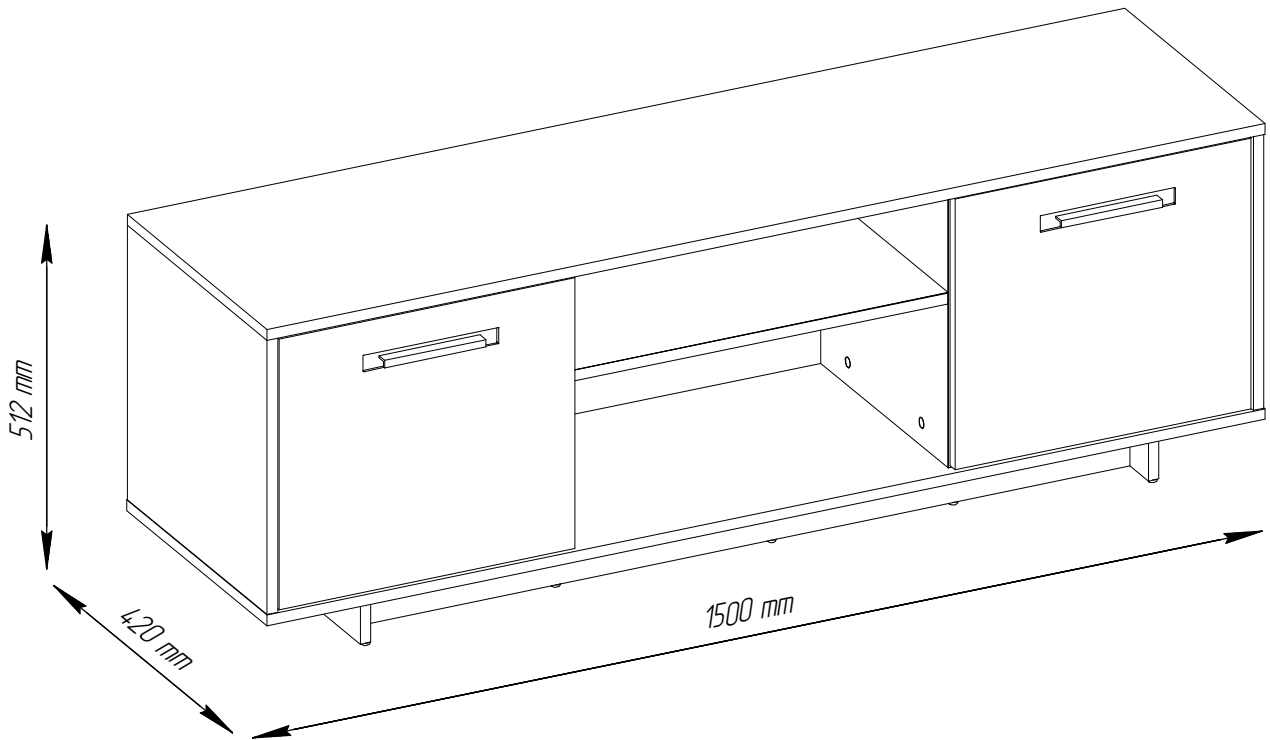


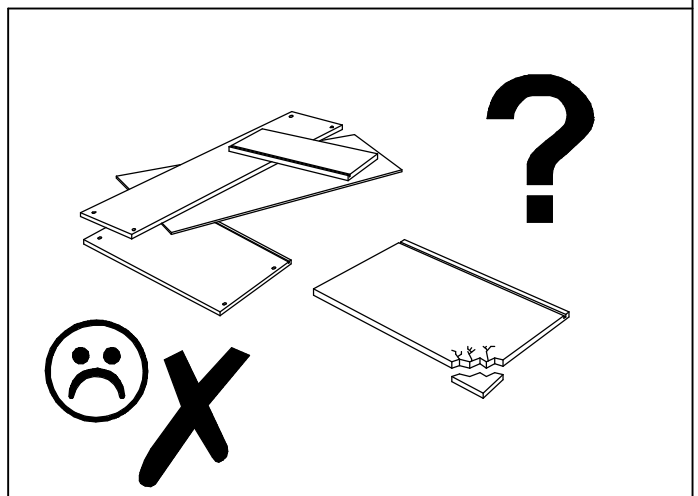
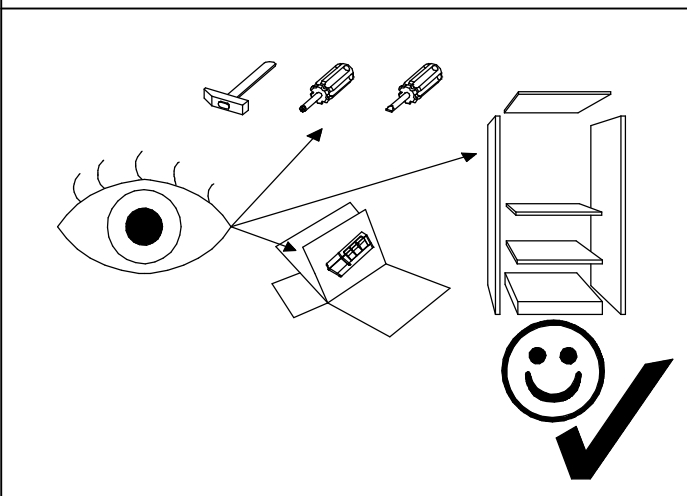
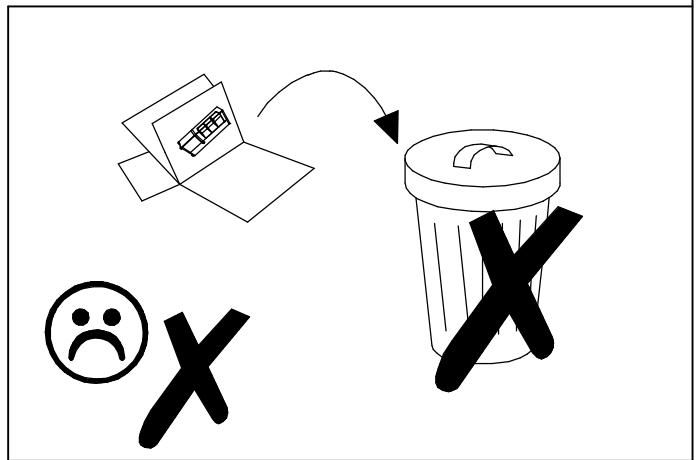
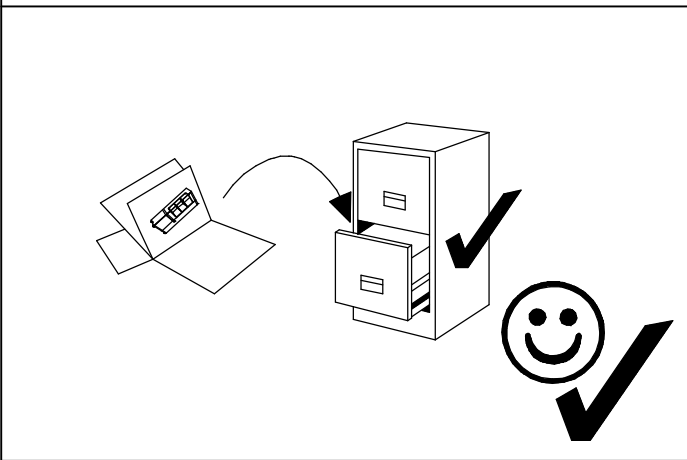
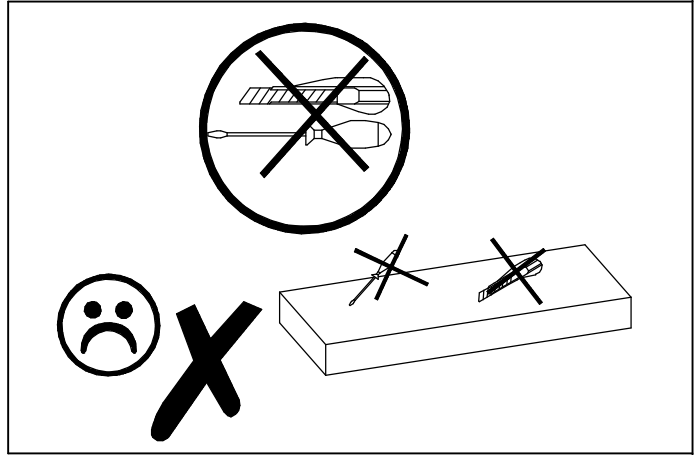
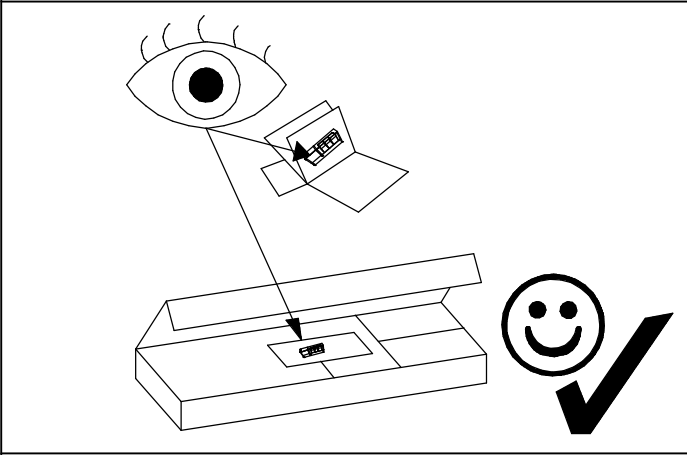
# DELI

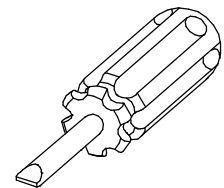
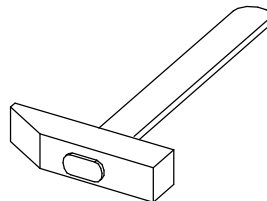
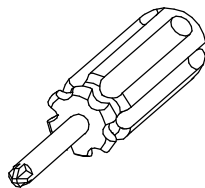
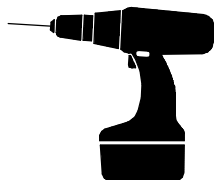
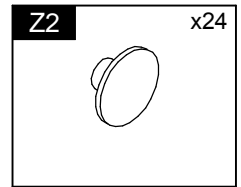
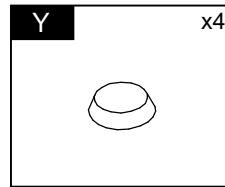
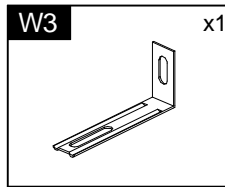
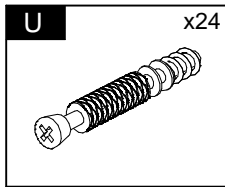
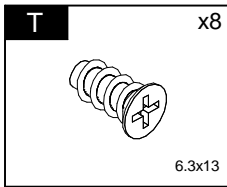
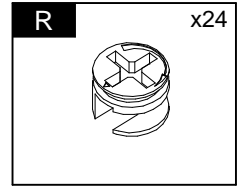
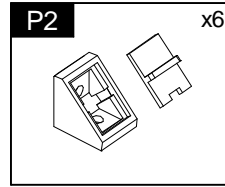
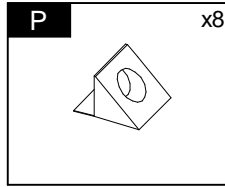
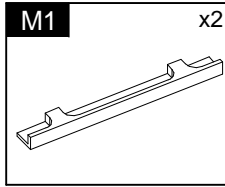
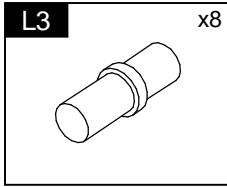
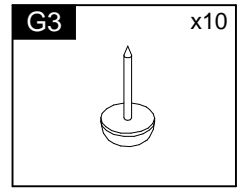
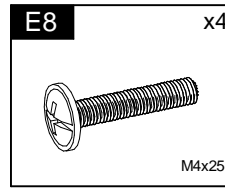
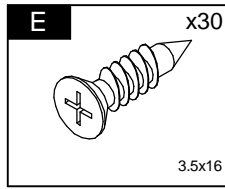
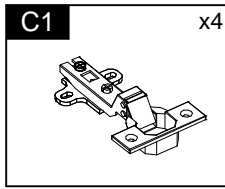
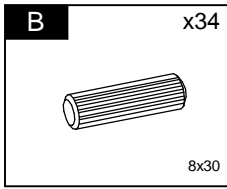
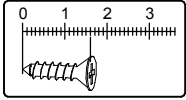
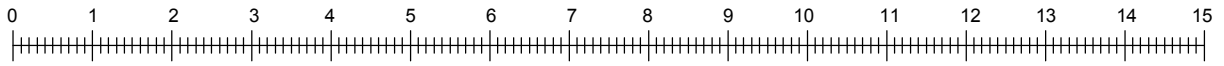
## Typ B

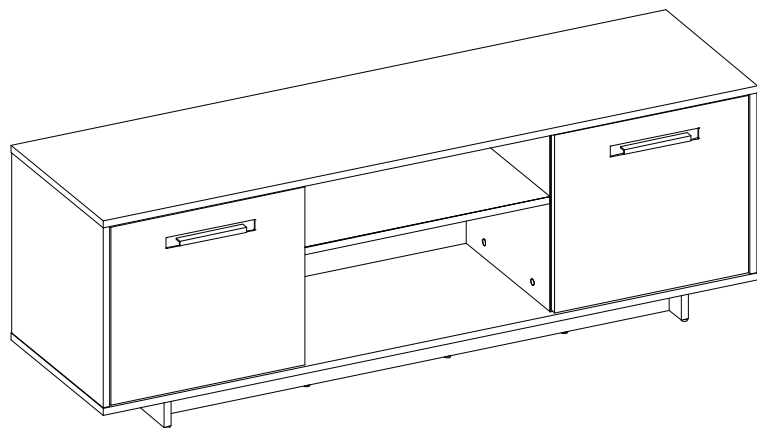


60 min

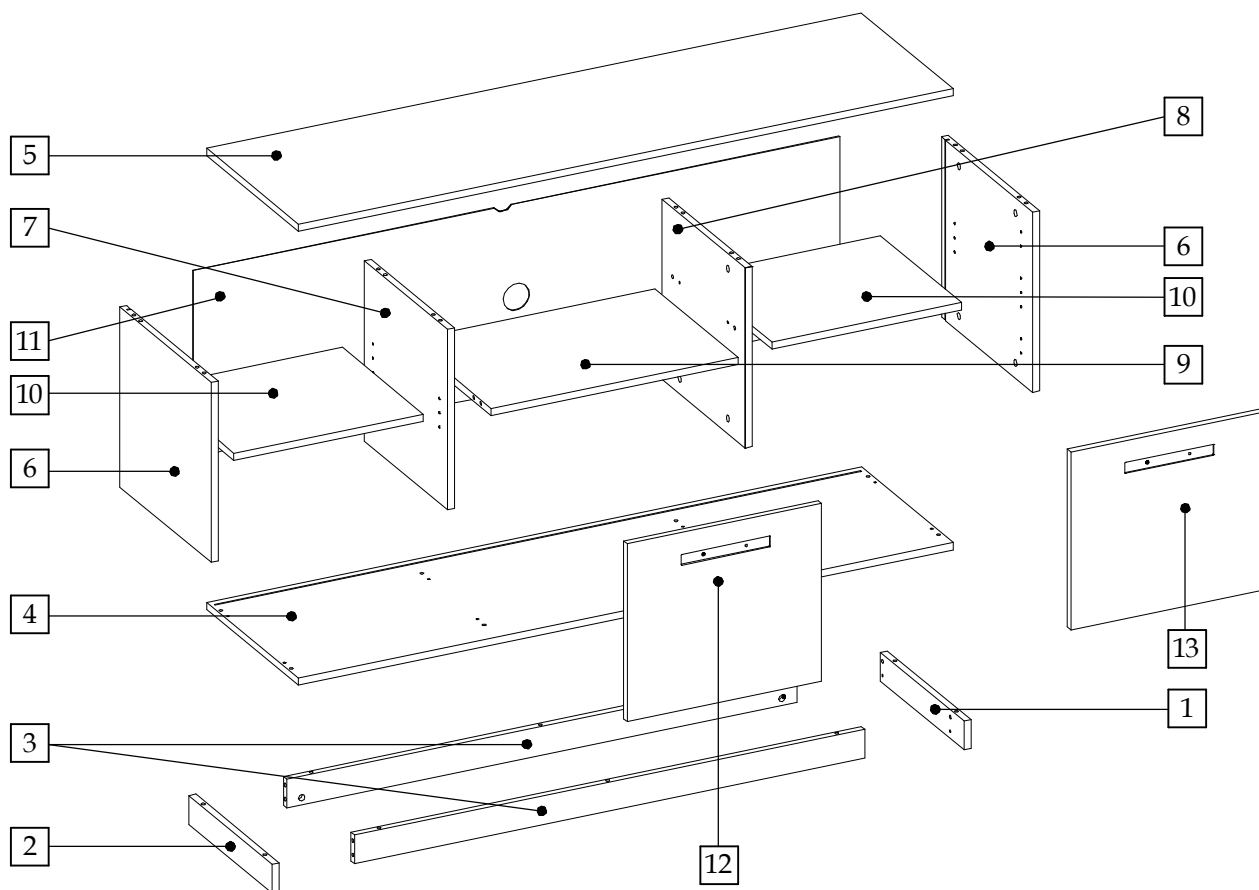


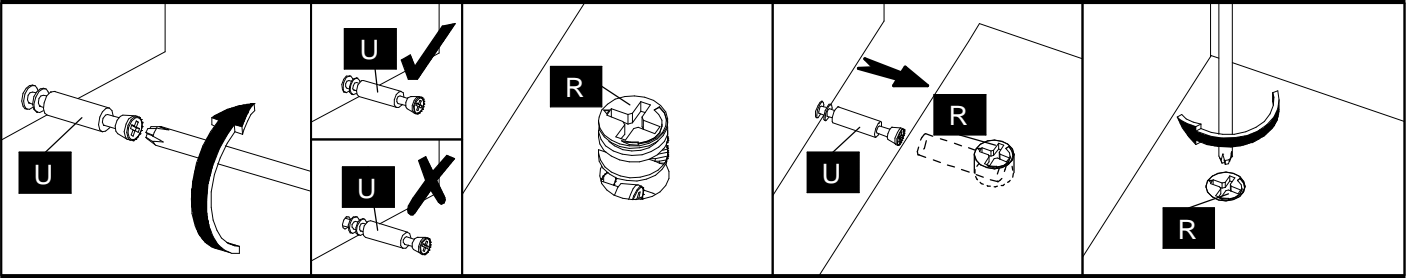




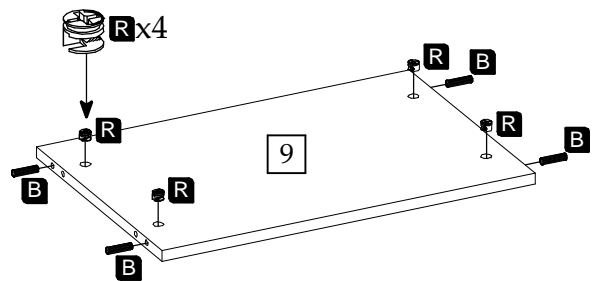
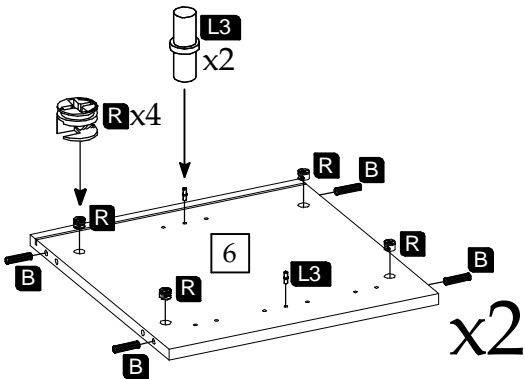
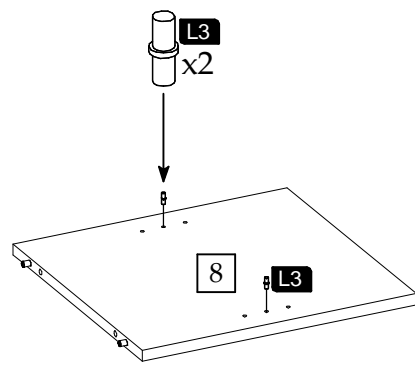
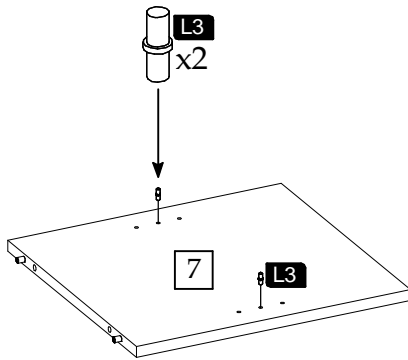
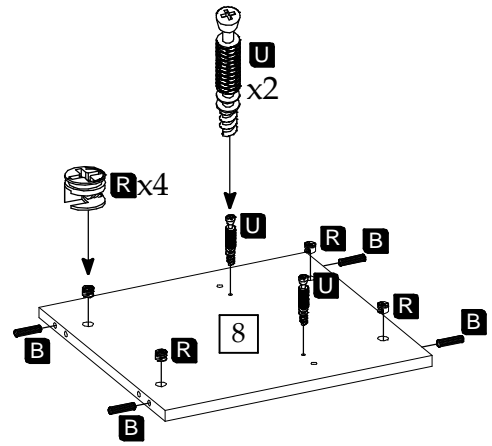
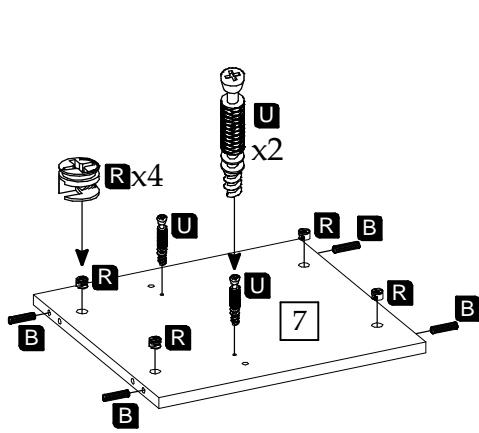


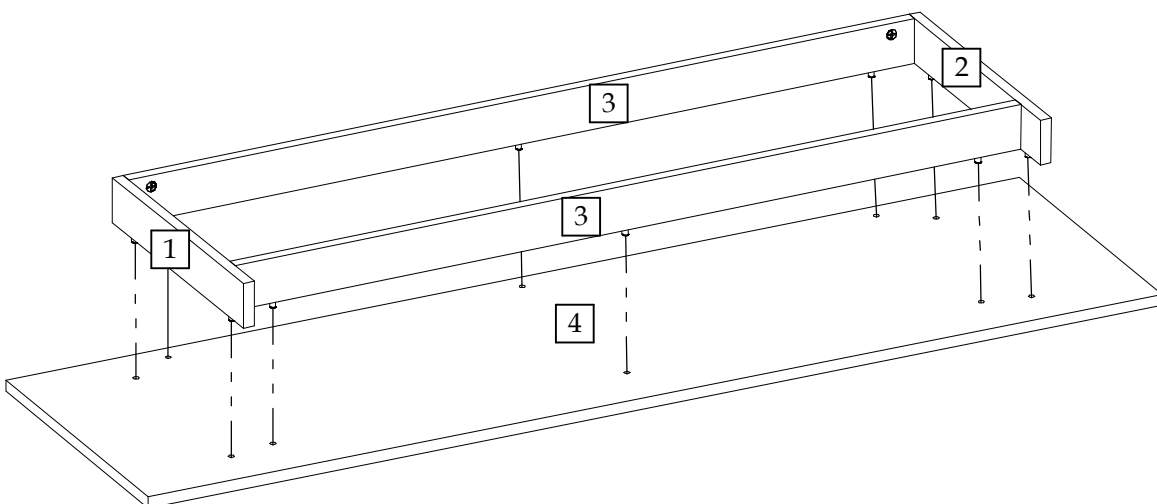
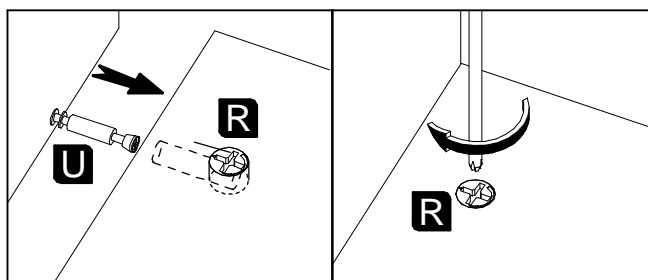
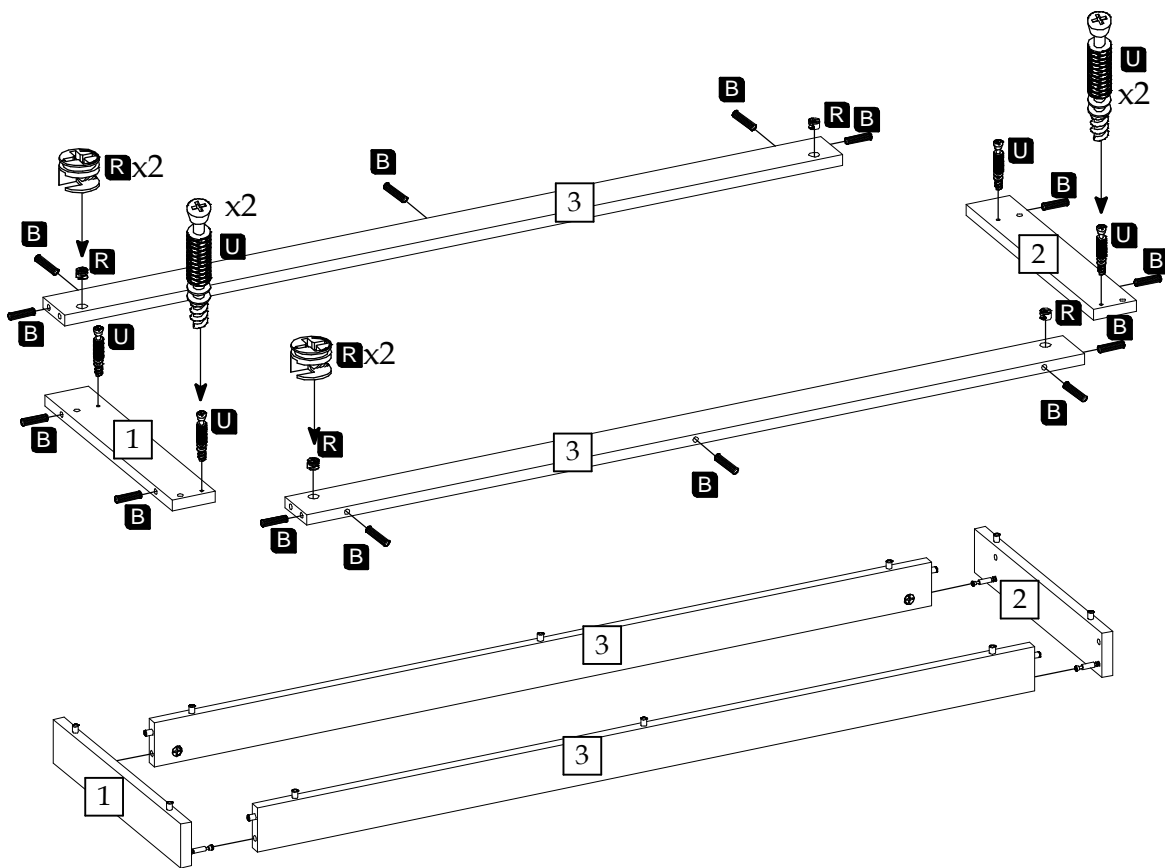
Element symbol	Measurements				Code	Paket
	1	2	3	4		
1	381	65	1	16	1002	1/2
2	381	65	1	16	1003	1/2
3	1168	65	2	16	1004	1/2
4	1500	420	1	16	1001	1/2
5	1500	420	1	16	1006	1/2
6	405	418	2	16	1007	1/2
7	405	381	1	16	1009	1/2
8	405	381	1	16	1010	1/2
9	566	380.5	1	16	1013	1/2
10	434	371	2	16	N/A	2/2
11	1480	419	1	3	1011	1/2
12	446	400	1	16	3001	2/2
13	446	400	1	16	3002	2/2

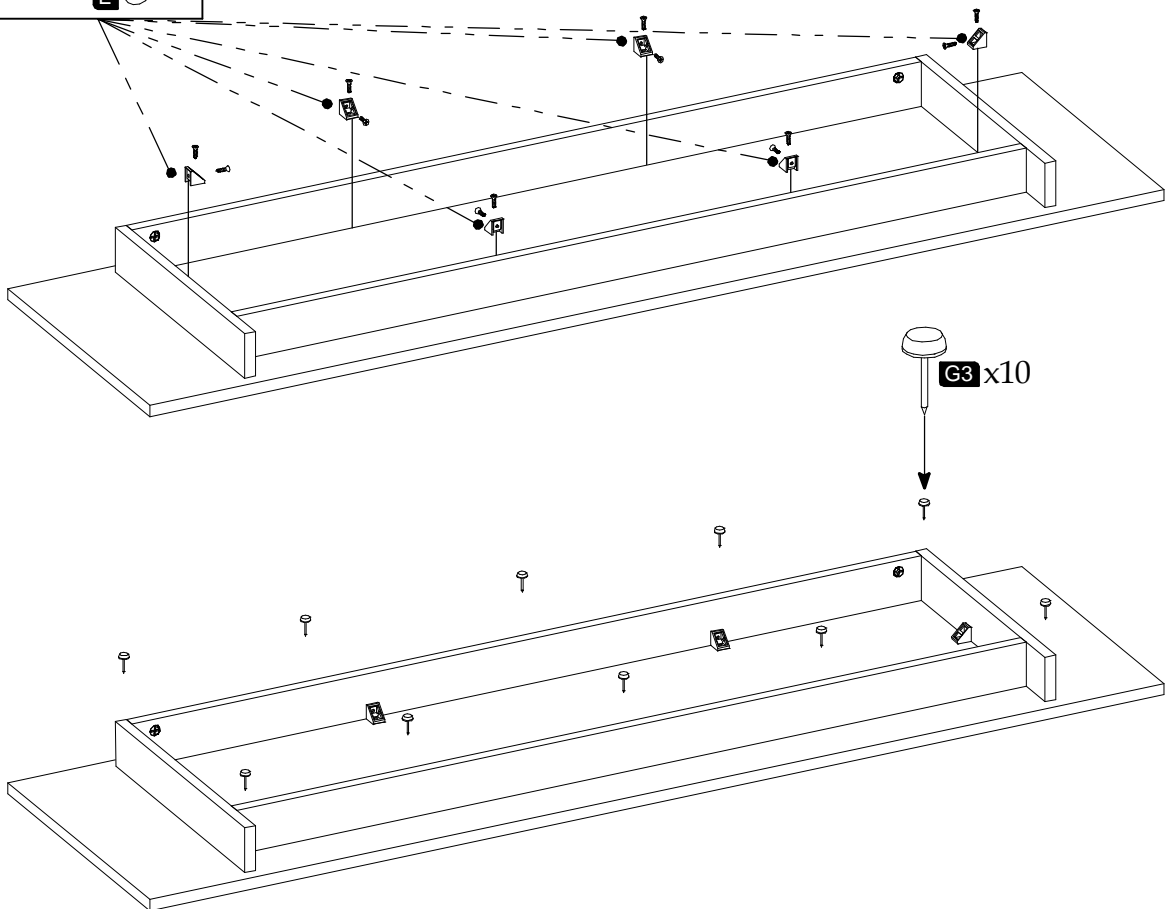
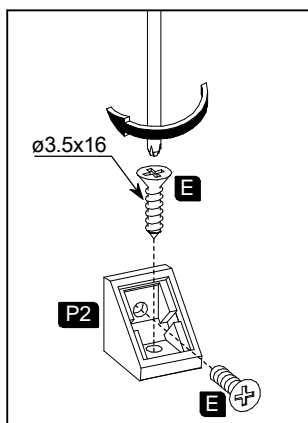




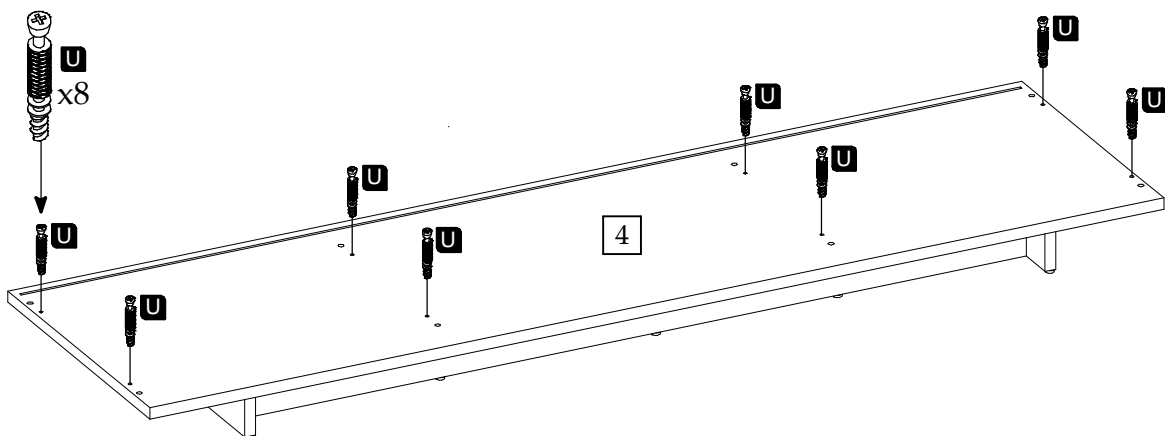
1

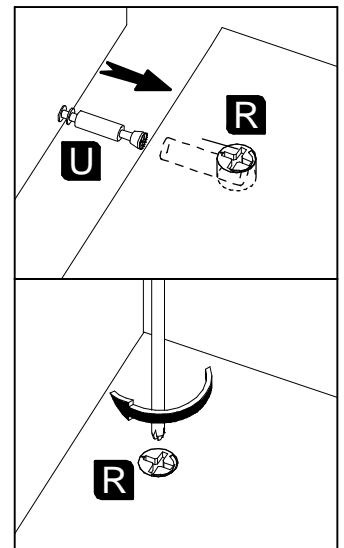
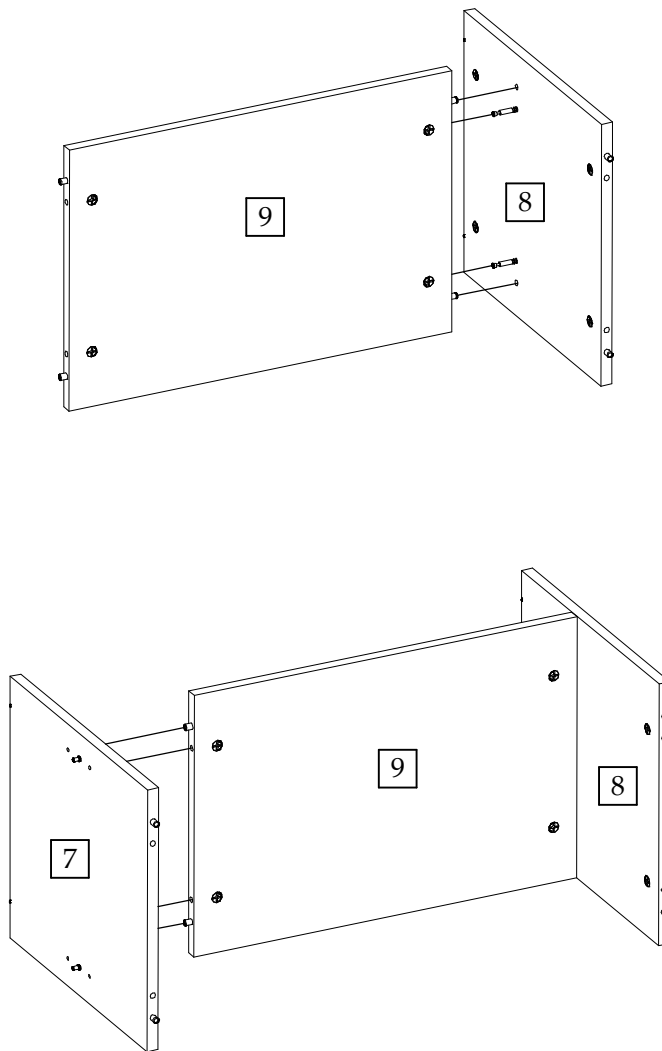
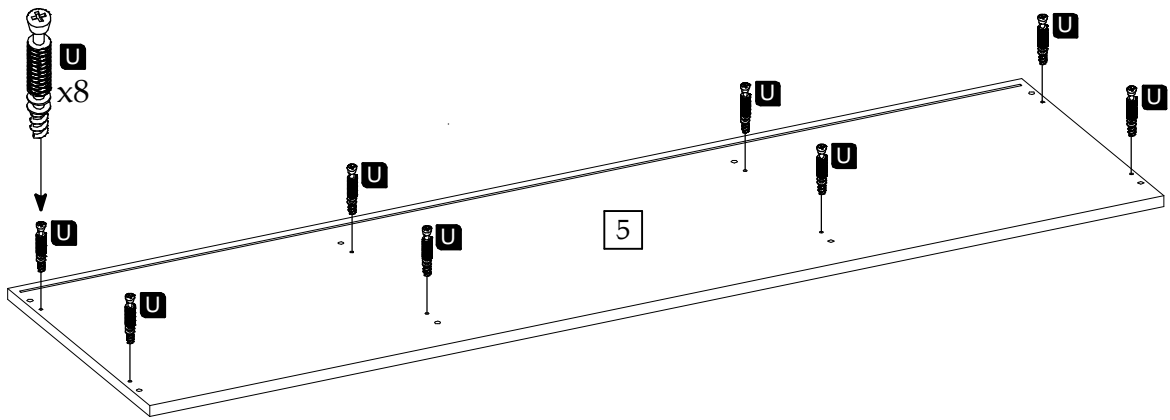






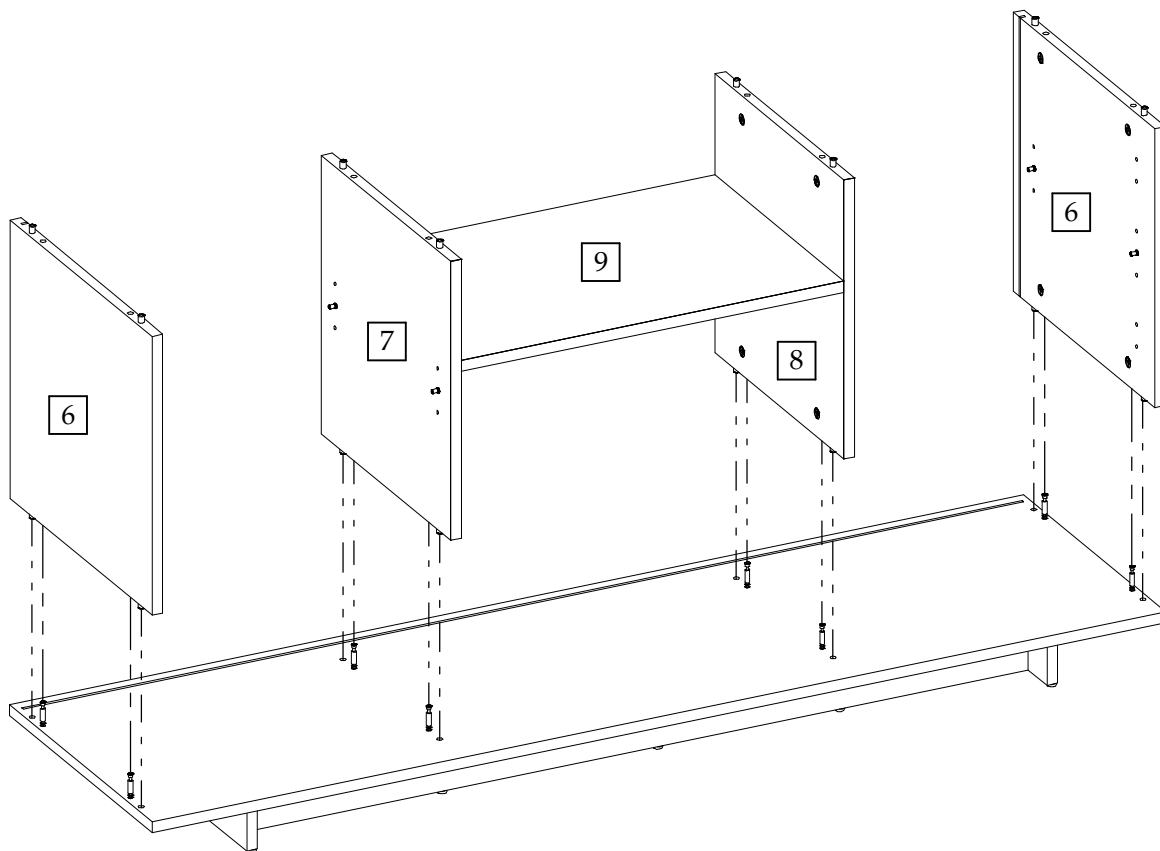
**3**







6



7

