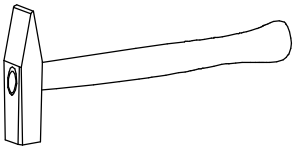
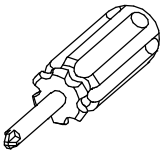
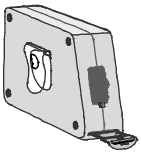
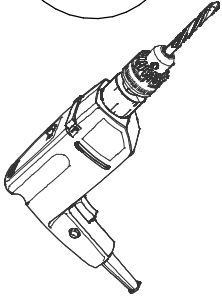
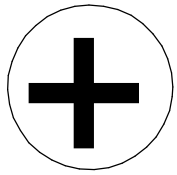
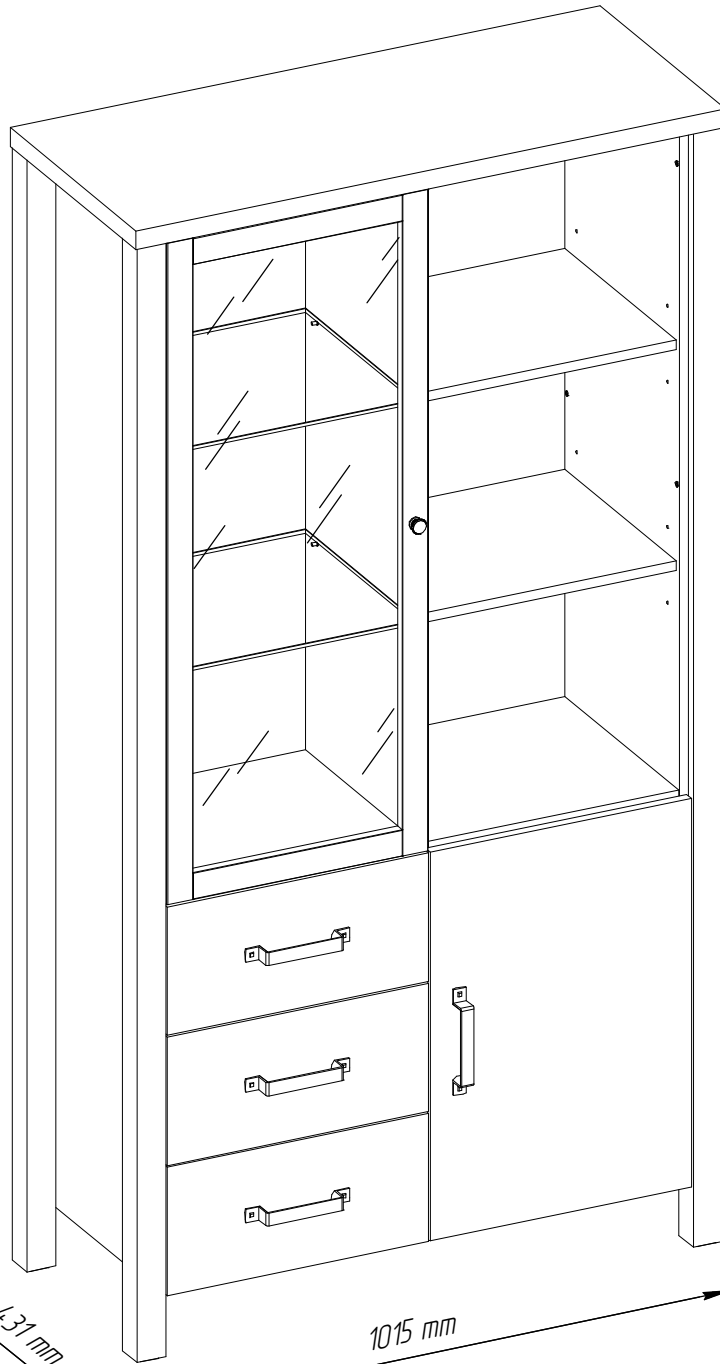


DERBY 2 H

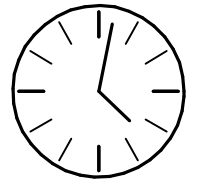


1918 mm

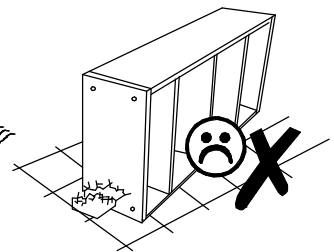
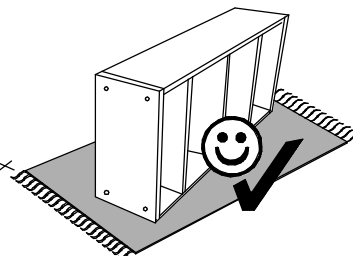
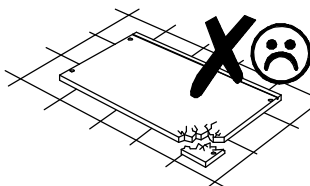
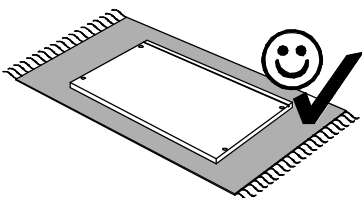
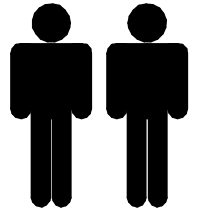


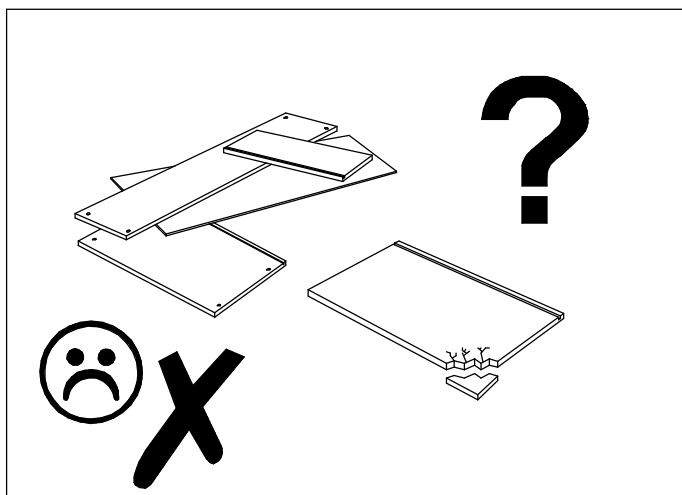
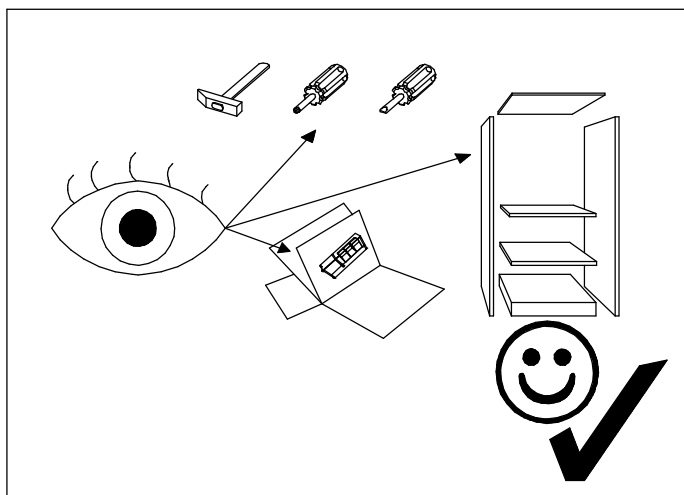
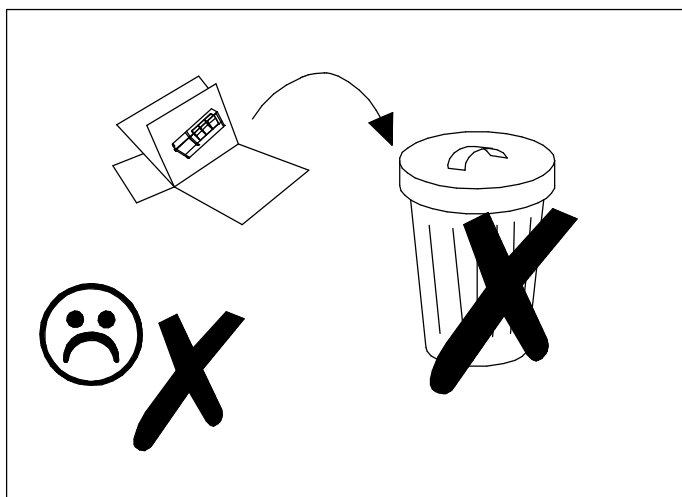
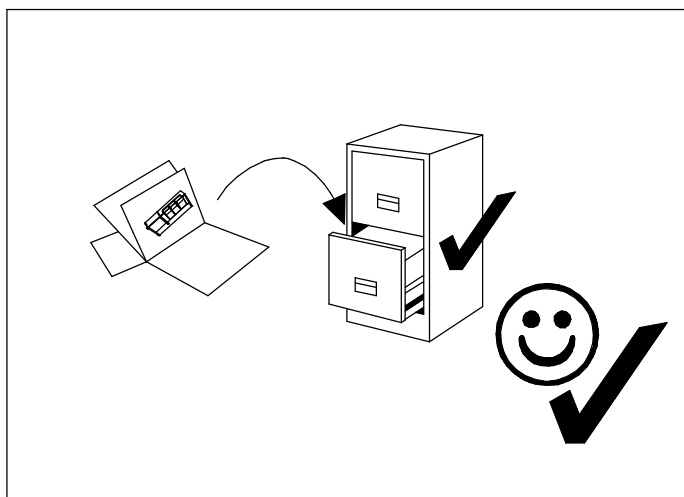
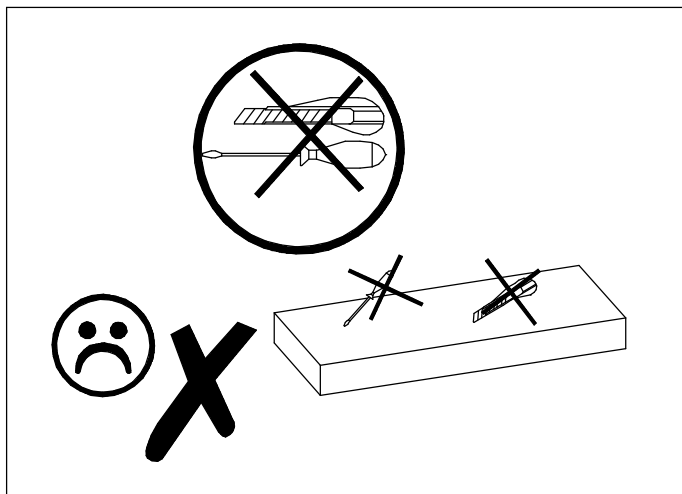
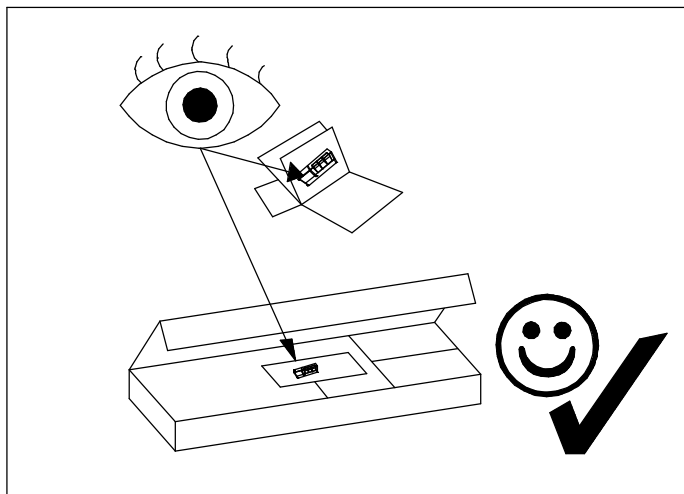
431 mm

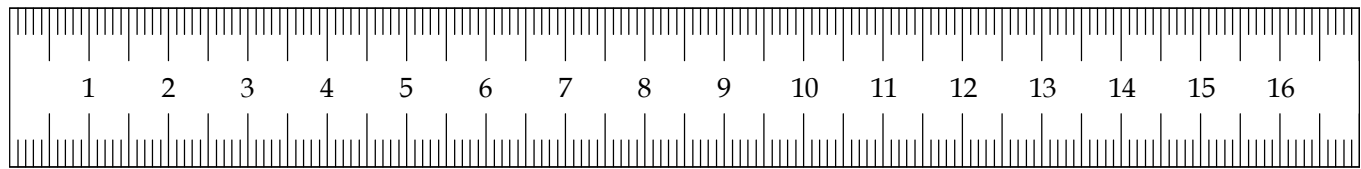
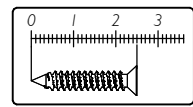
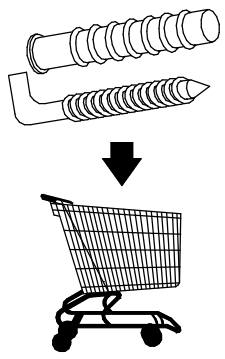
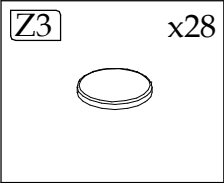
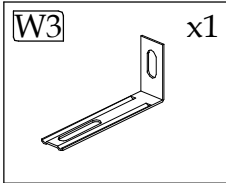
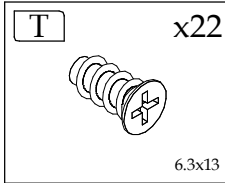
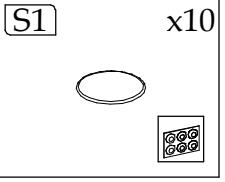
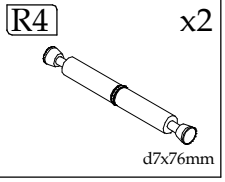
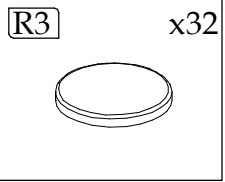
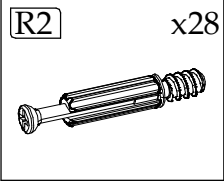
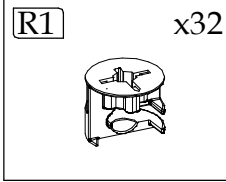
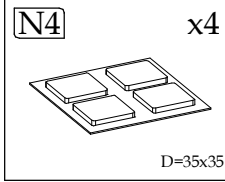
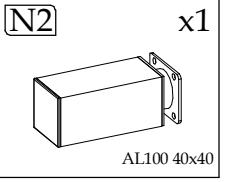
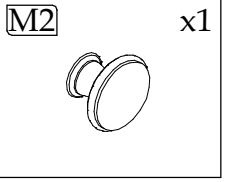
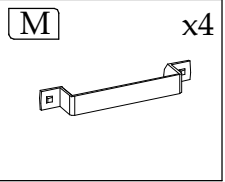
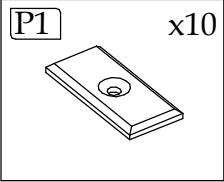
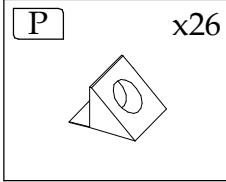
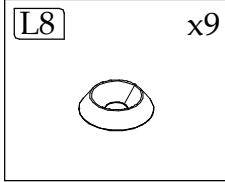
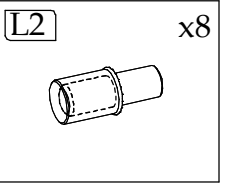
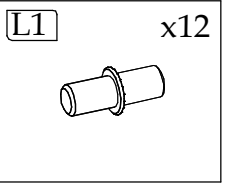
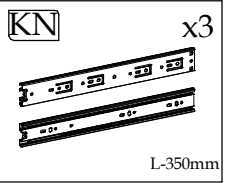
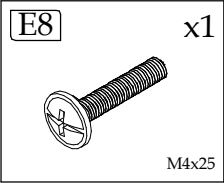
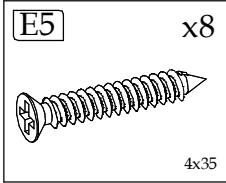
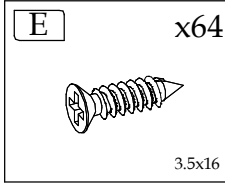
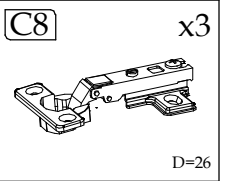
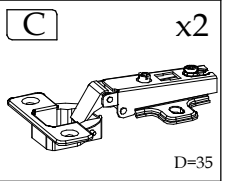
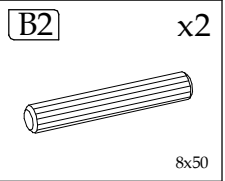
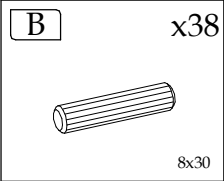
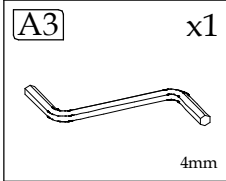
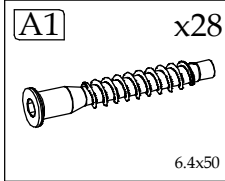
1015 mm

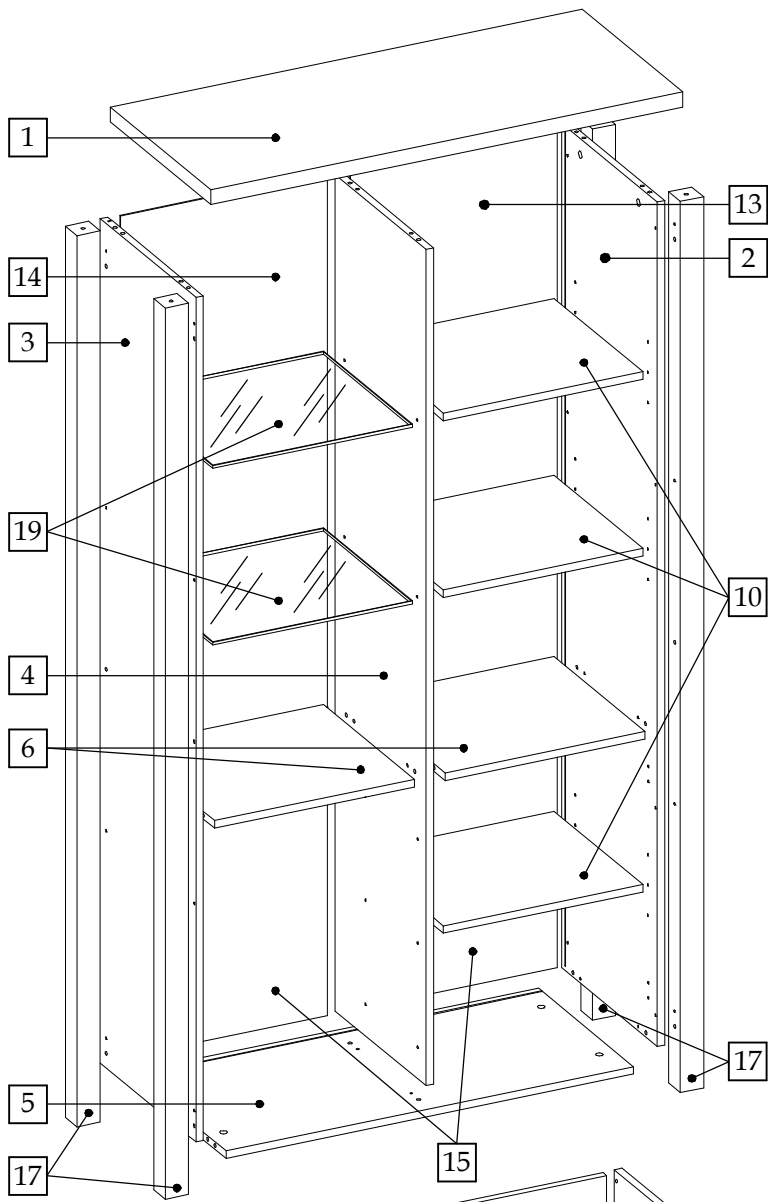


120 min

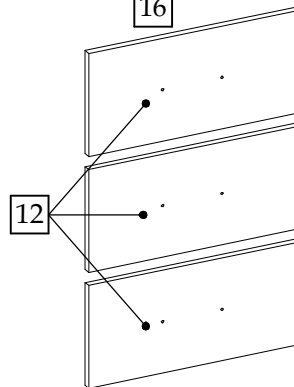
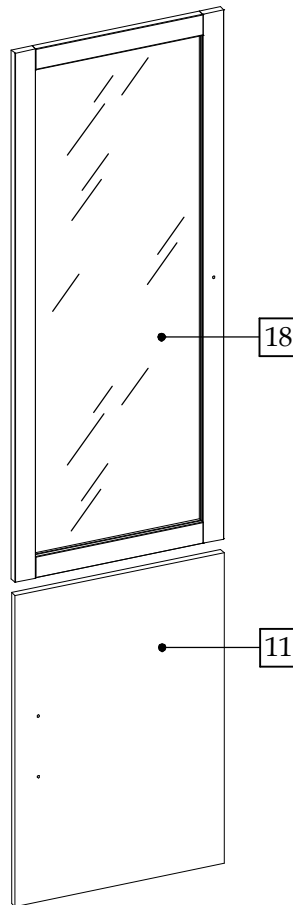
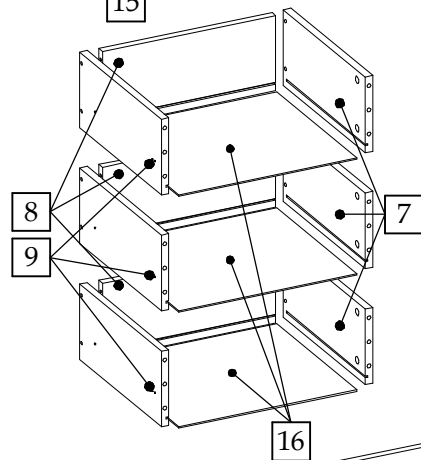




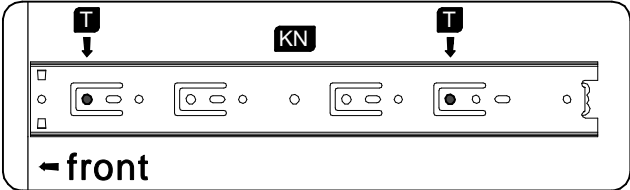
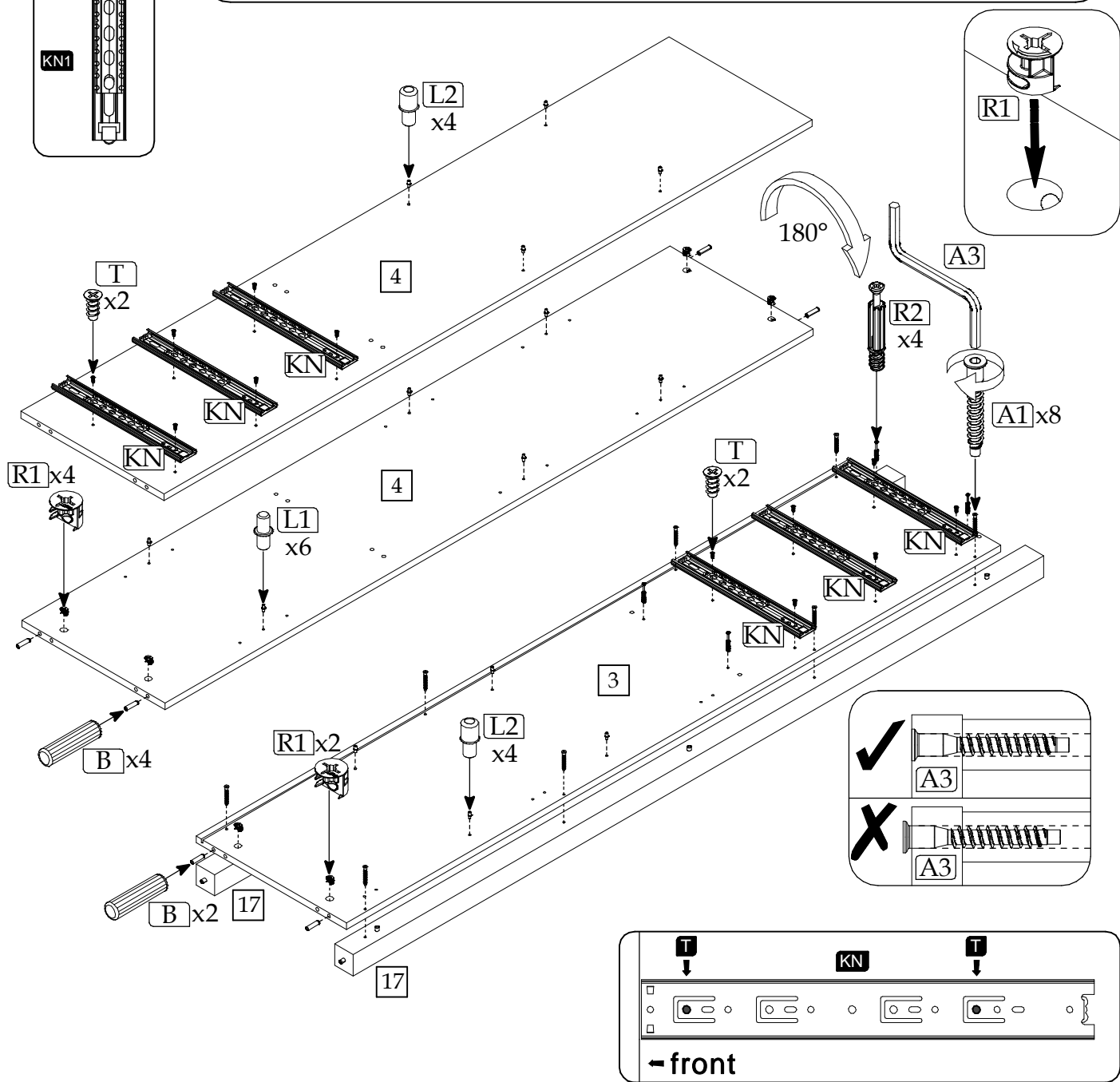
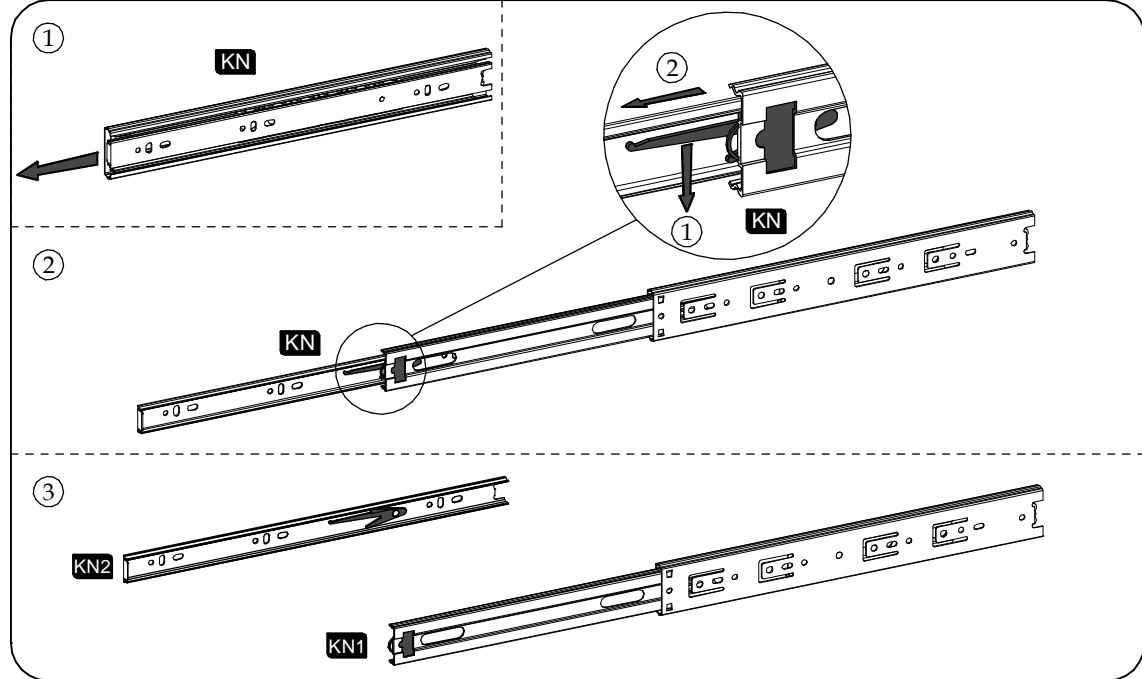
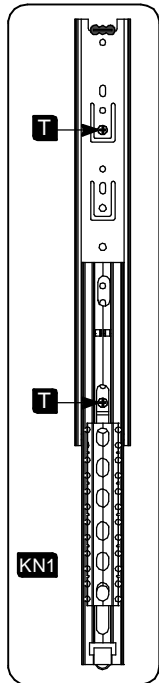




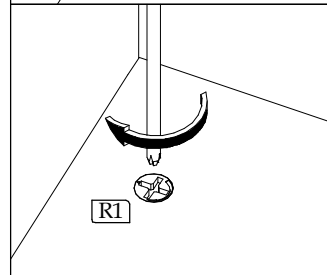
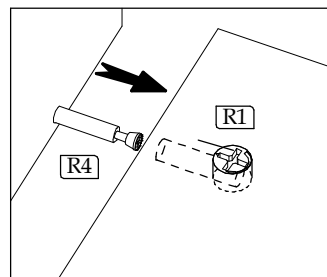
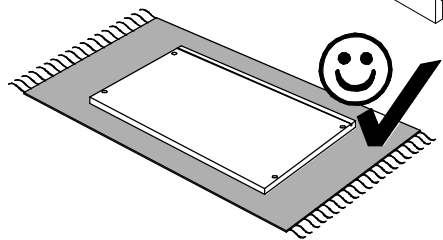
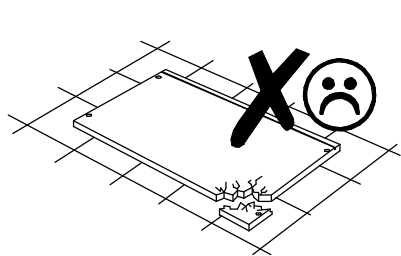
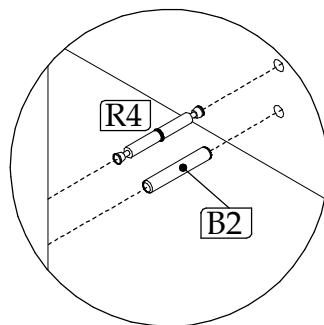
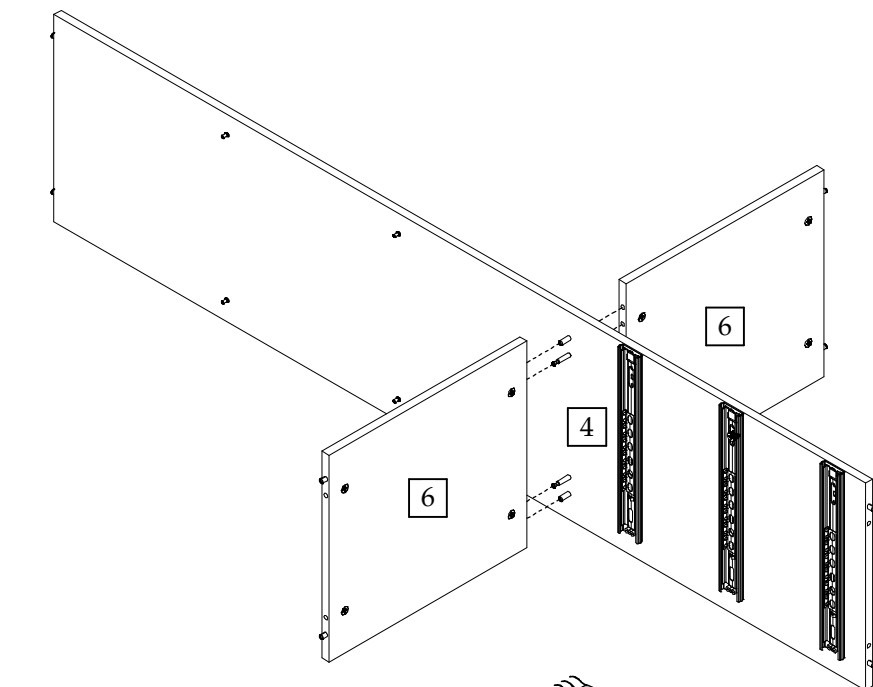
Element symbol	Measurements				Code	Pack
1	1015	431	32	1	1002	2/5
2	1784	410	16	1	1005	1/5
3	1784	410	16	1	1006	1/5
4	1767	390	16	1	1053	1/5
5	877	409	16	1	1007	1/5
6	430	390	16	2	1010-1016	2/5
7	350	160	16	3	1037-1042-1047	1/5
8	373	159	16	3	1038-1043-1048	1/5
9	350	160	16	3	1039-1044-1049	1/5
10	430	382	16	3	N/A	1/5
11	450	657	16	1	1052	2/5
12	450	217	16	3	1036-1041-1046	2/5
13	445	1145	3	1	1090_v	1/5
14	445	1145	3	1	1091_v	1/5
15	445	651	3	2	N/A	1/5
16	383	344	3	3	N/A	2/5
17	1883	50	50	4	1883x50_u	3/5
18	1118	450	16	1	Glass door	4/5
19	429	380	6	2	Glass shelf	5/5



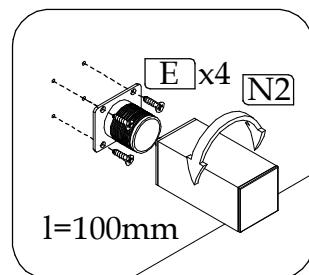
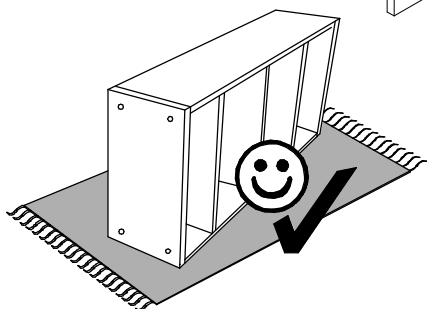
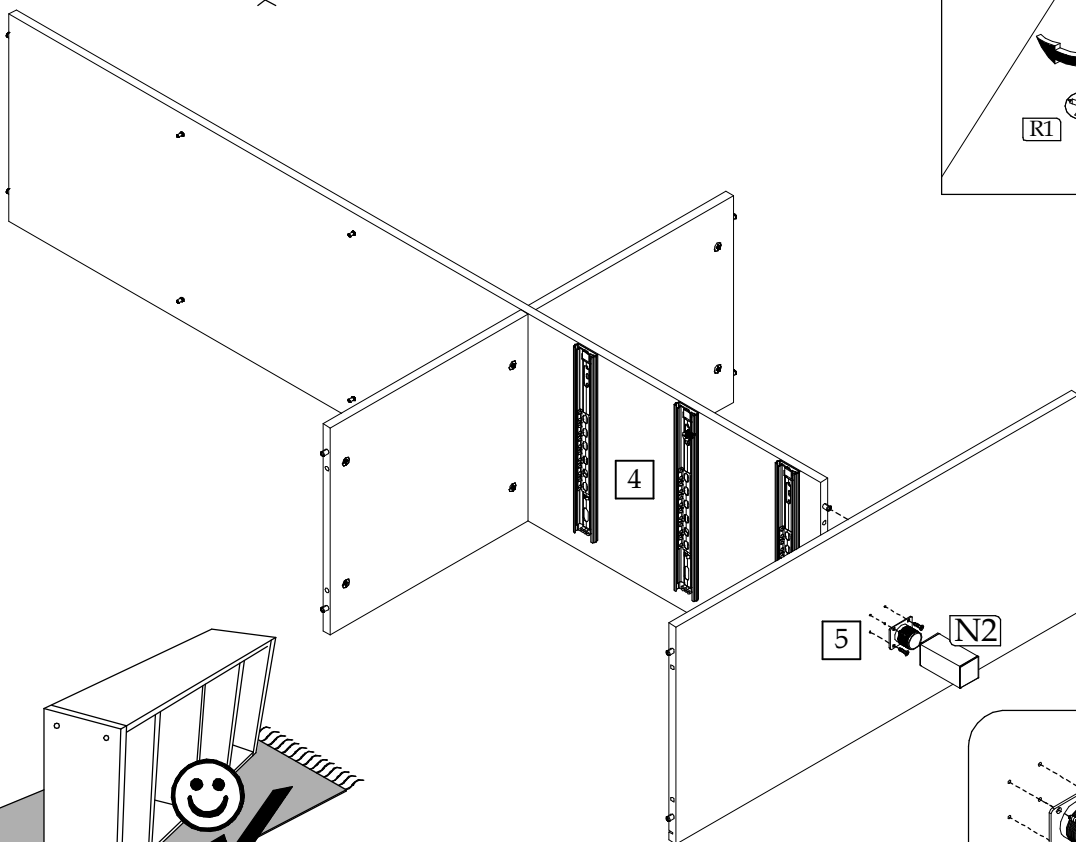
▶ 2



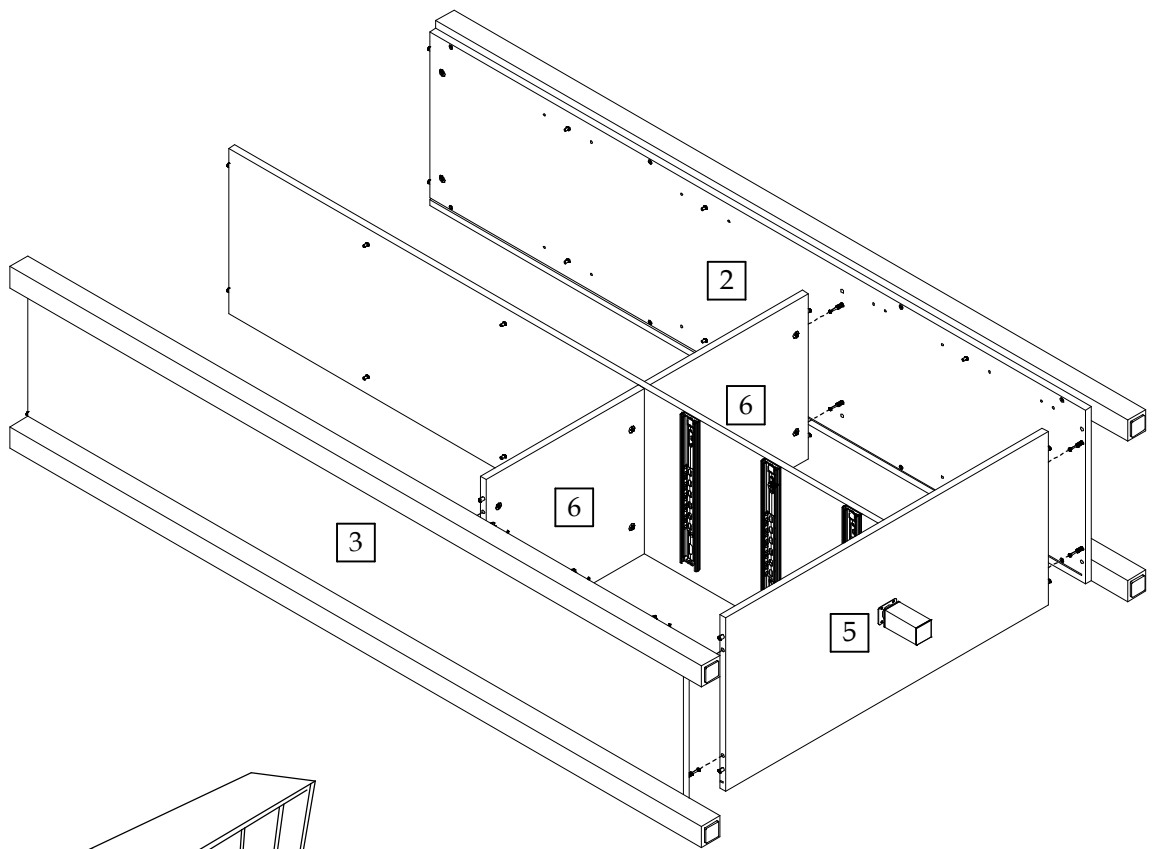
▶ 3



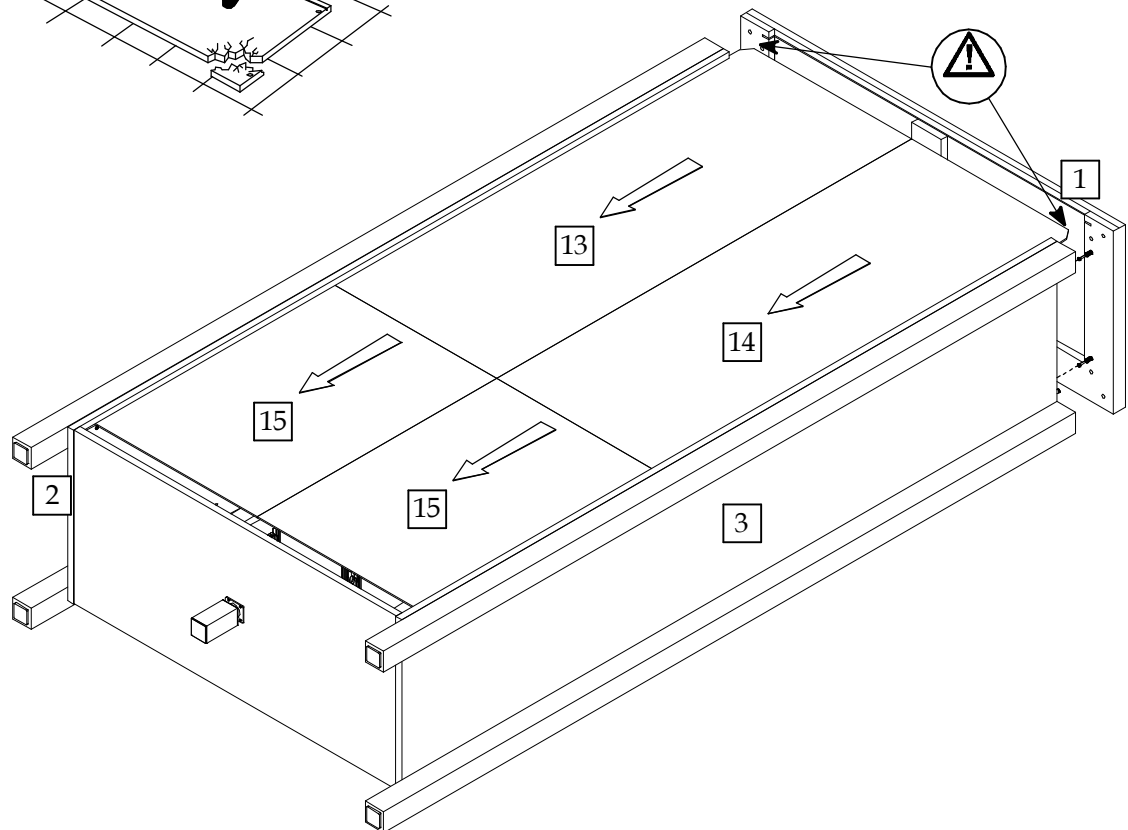
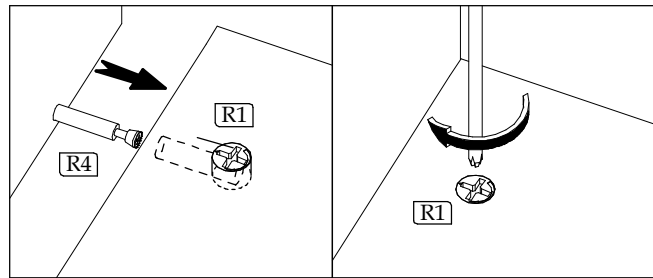
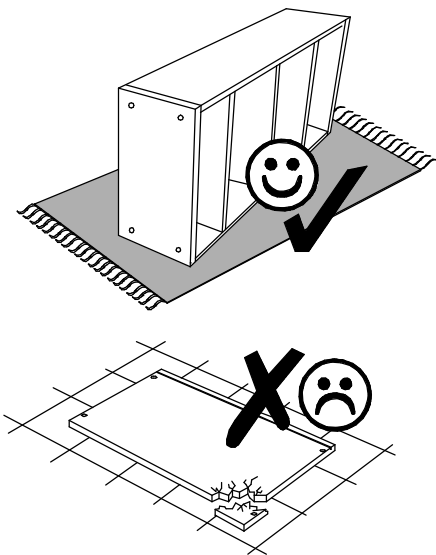
▶ 4



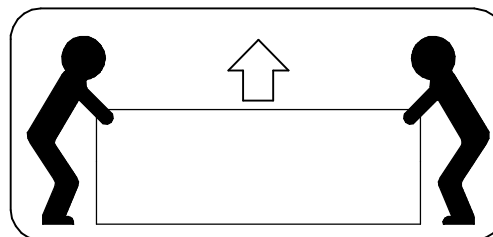
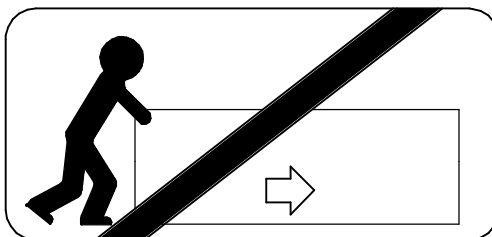
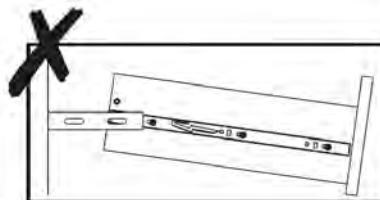
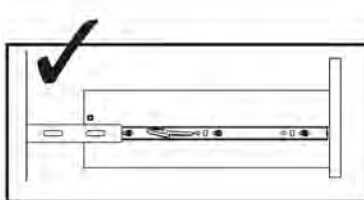
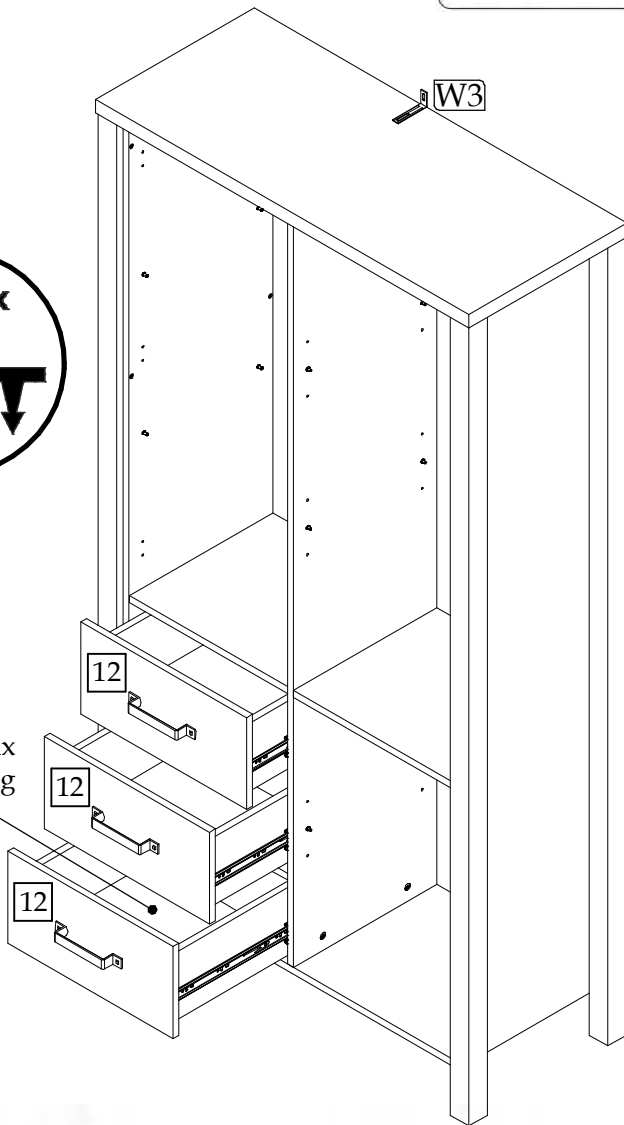
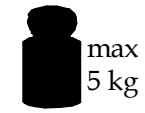
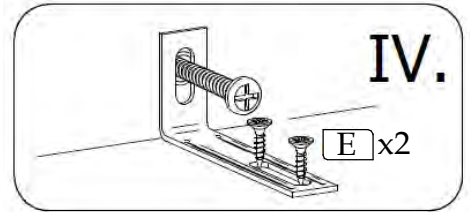
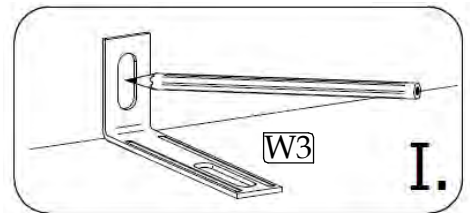
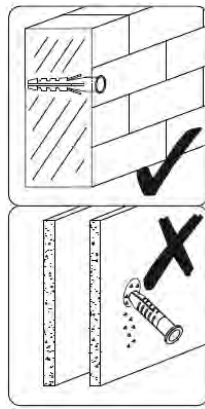
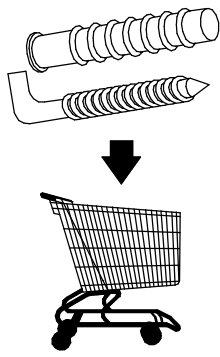
► 5



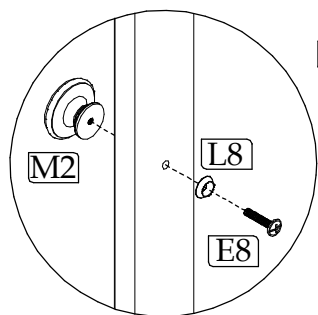
► 6



▶ 10



▶ 11

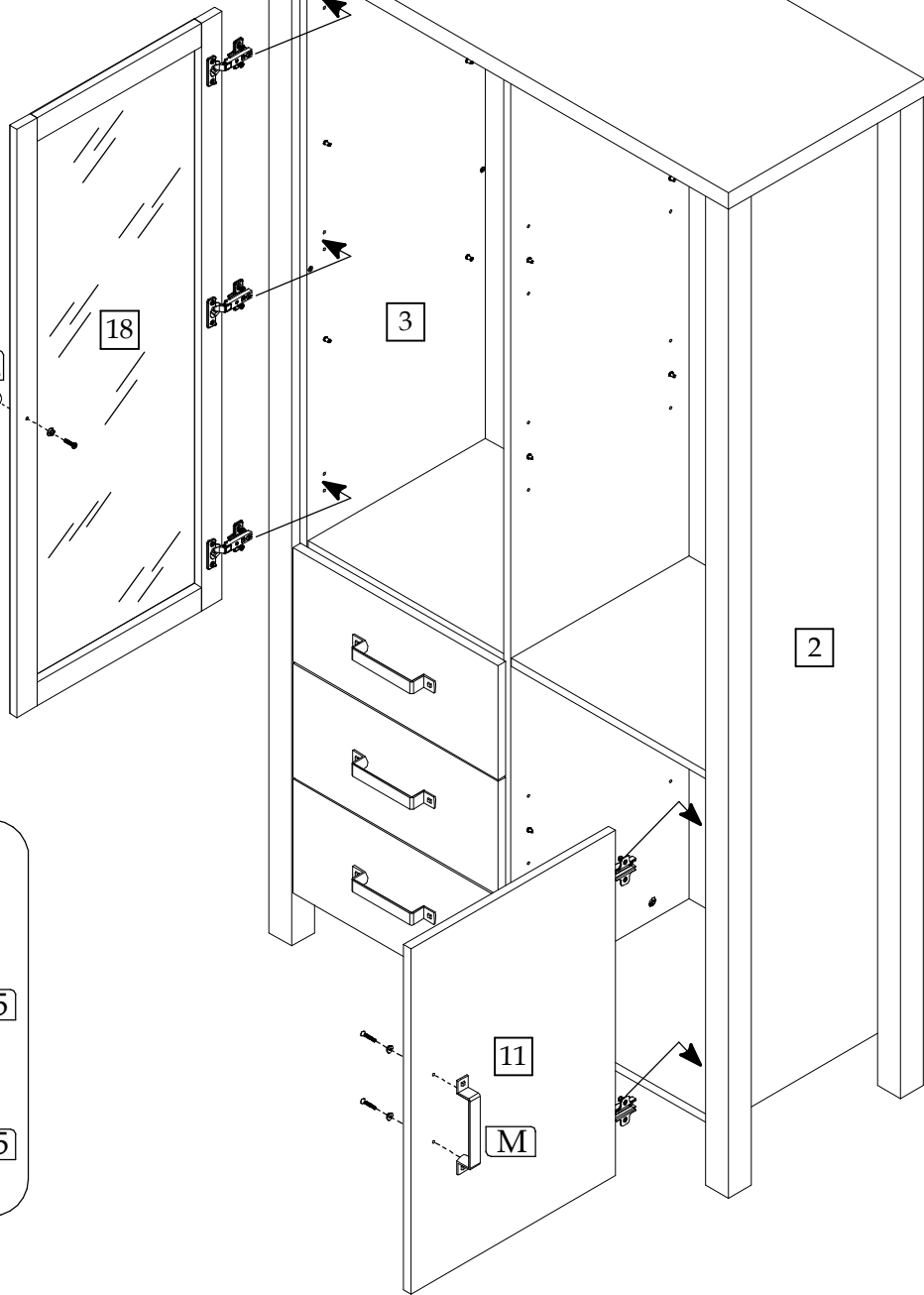


M2

18

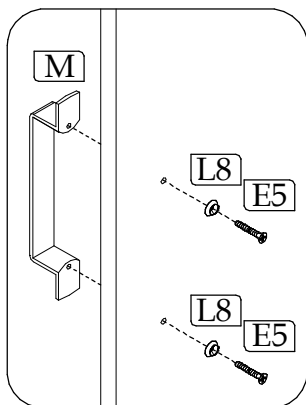
L8

E8



3

2



M

L8

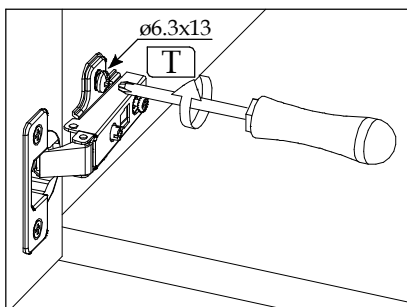
E5

L8

E5

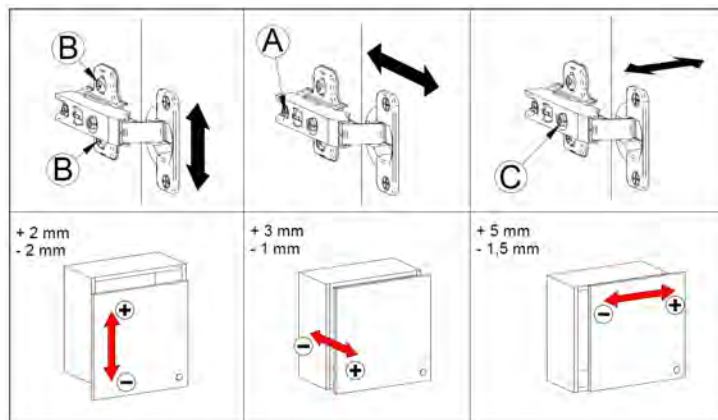
11

M



ø6.3x13

T



B

A

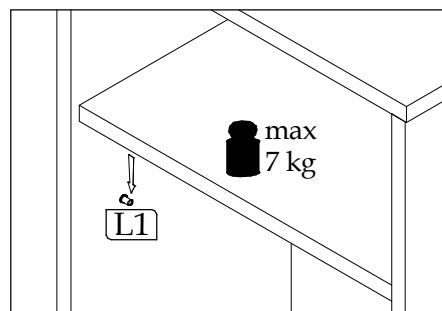
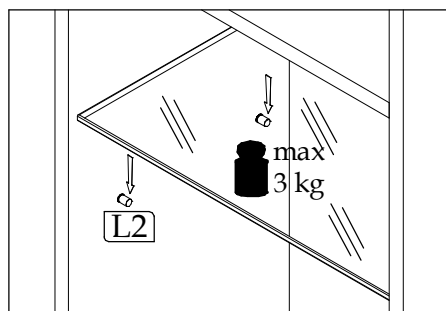
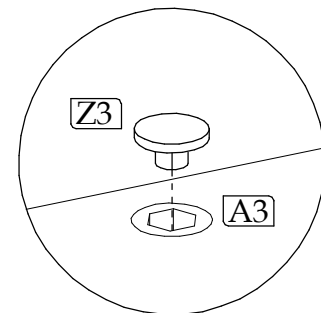
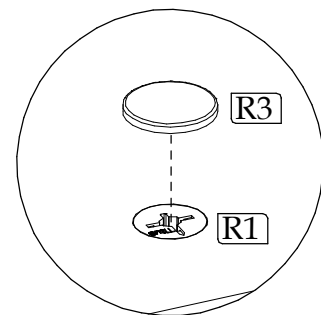
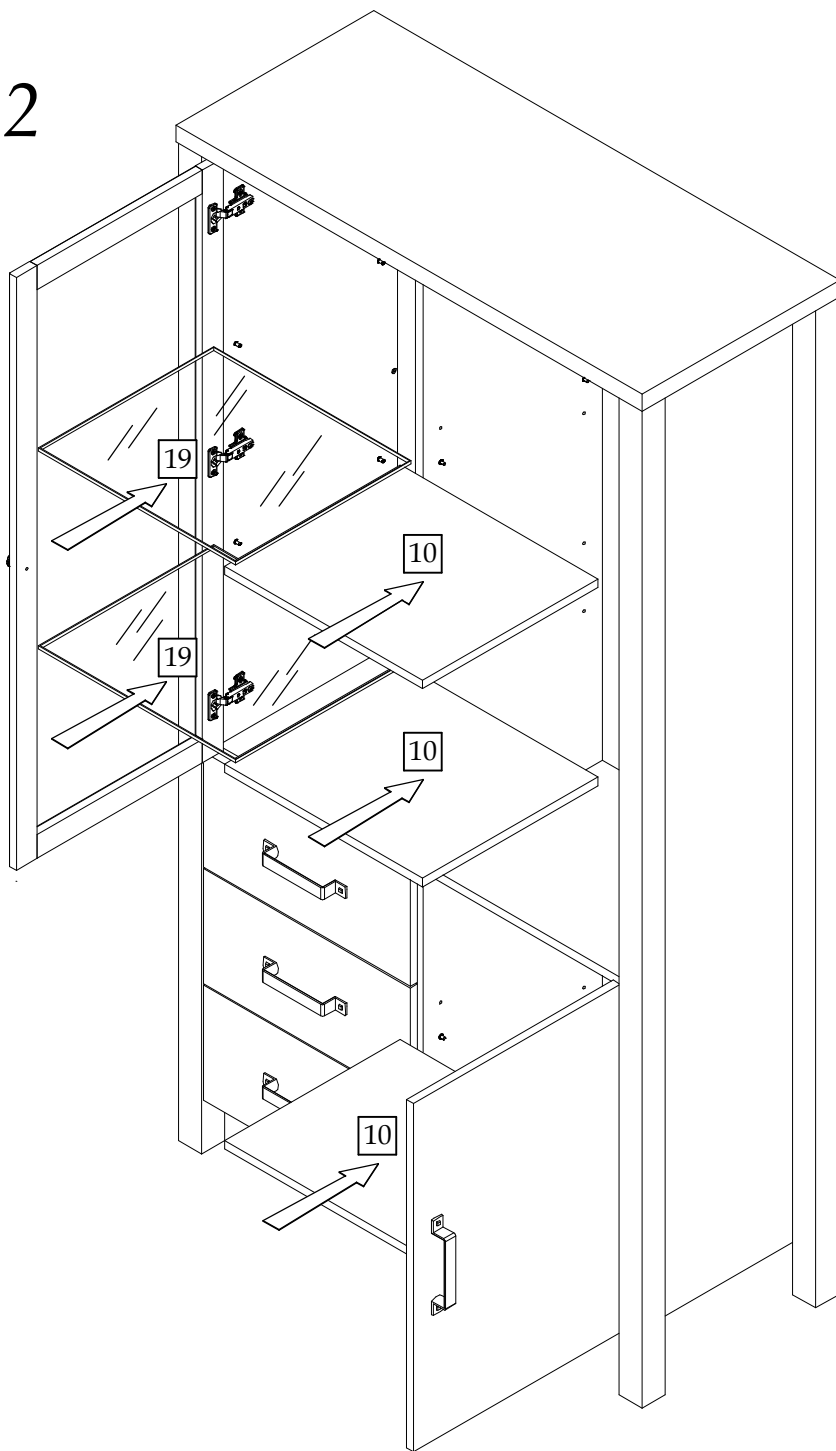
C

+ 2 mm
- 2 mm

+ 3 mm
- 1 mm

+ 5 mm
- 1.5 mm

► 12



▶ 13

