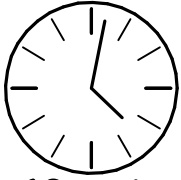
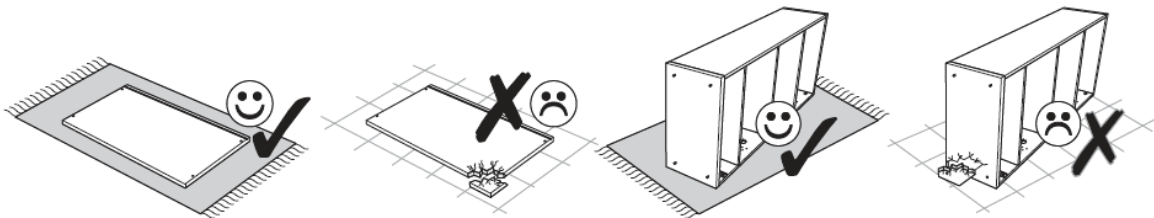
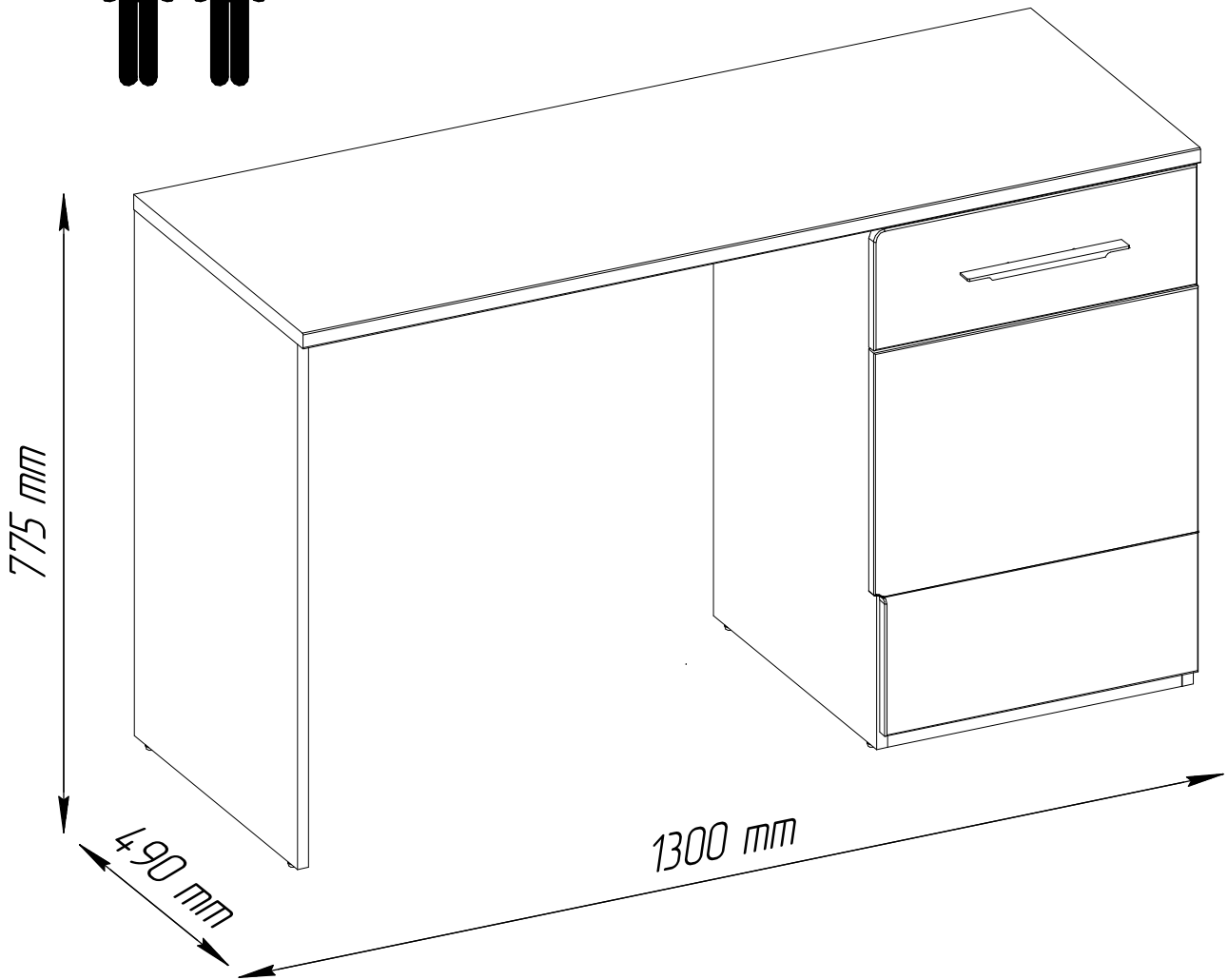
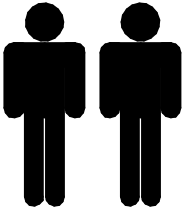


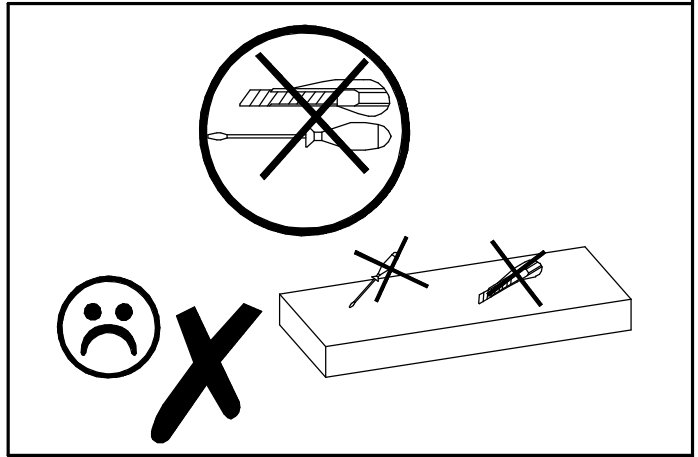
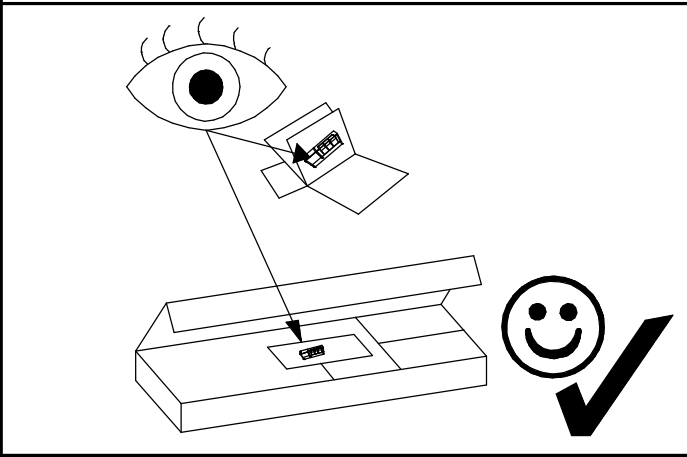
# Eridan

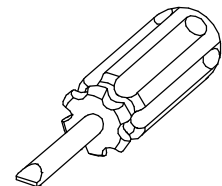
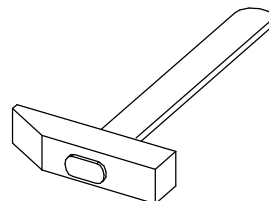
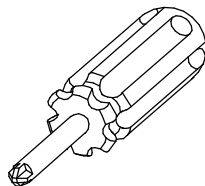
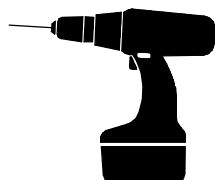
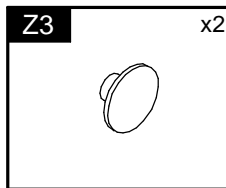
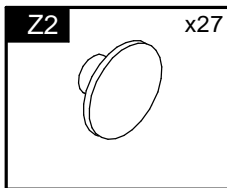
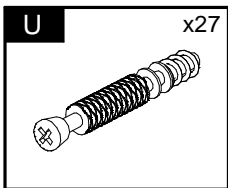
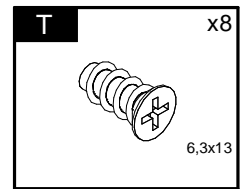
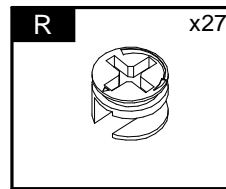
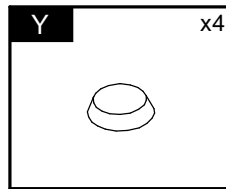
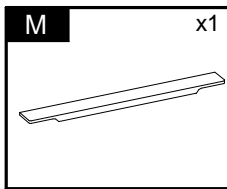
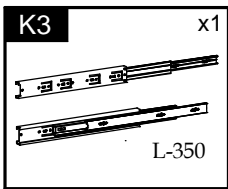
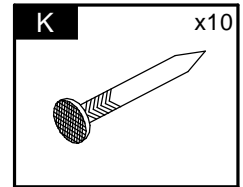
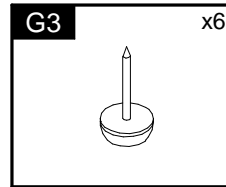
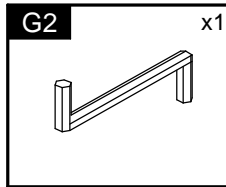
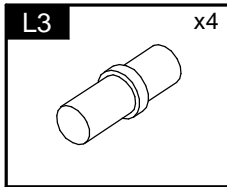
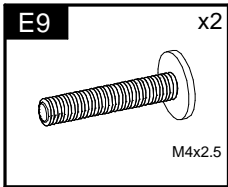
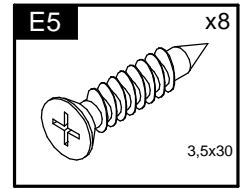
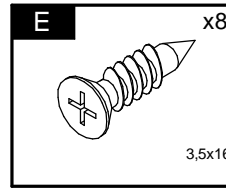
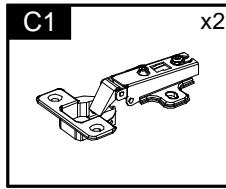
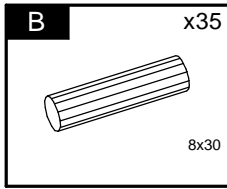
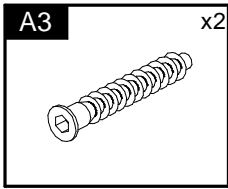
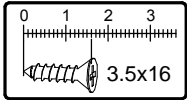
## Type P2

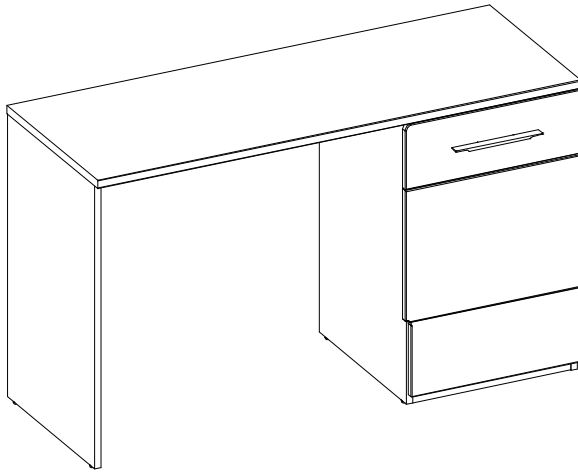


60 min

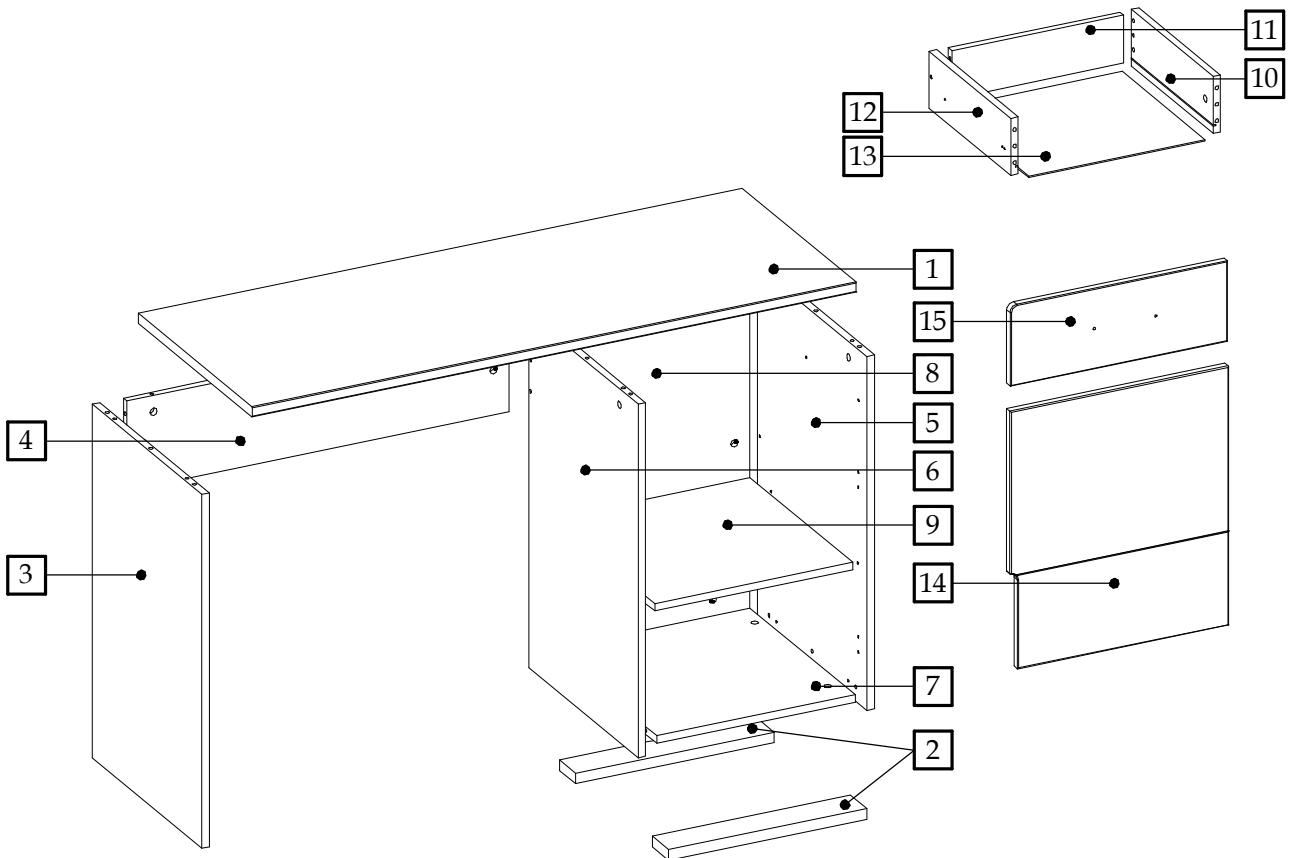


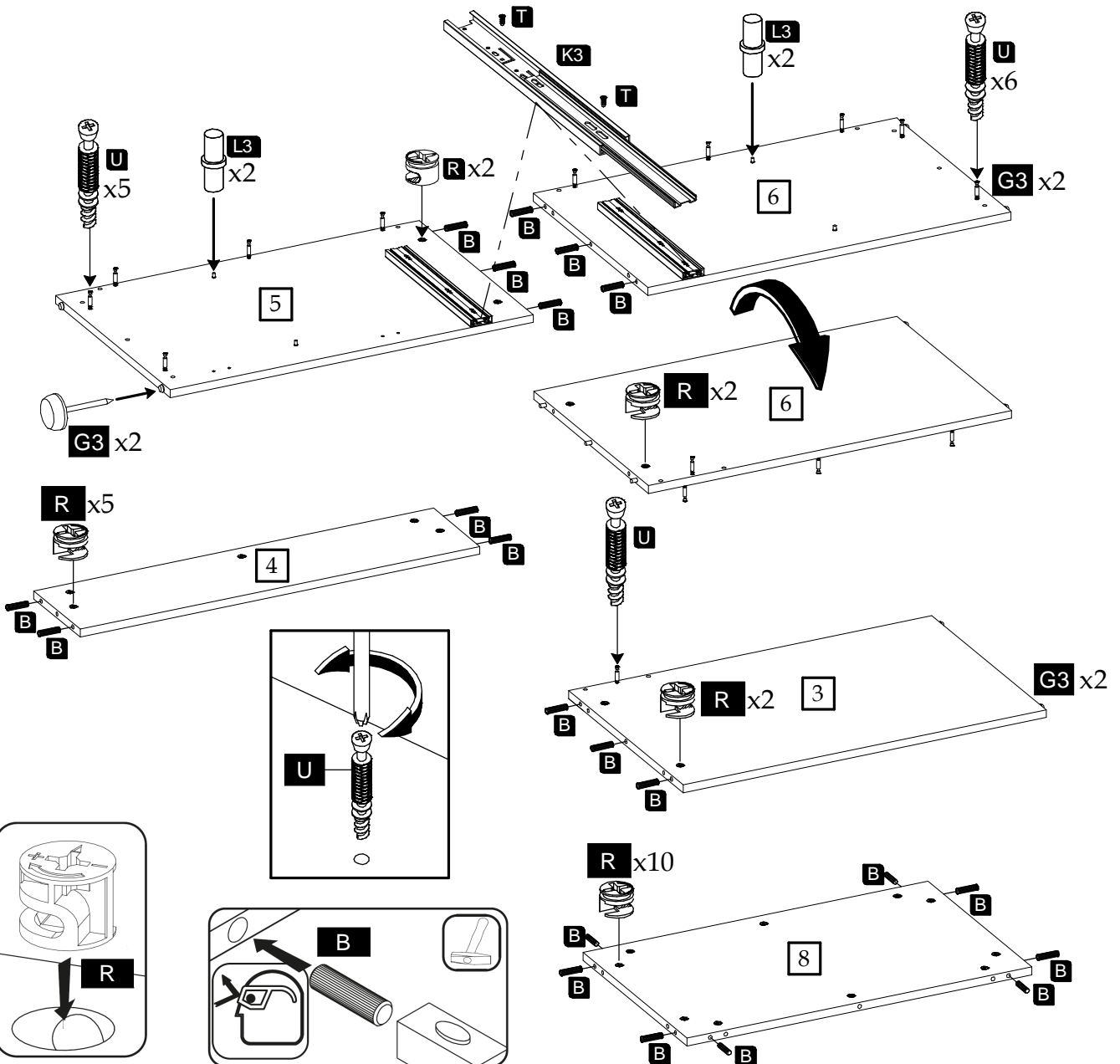
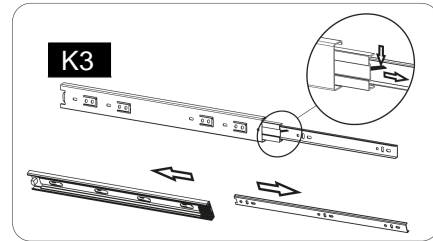
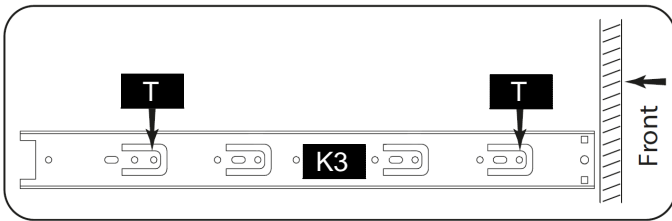




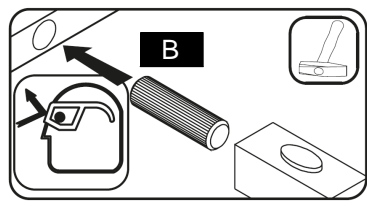
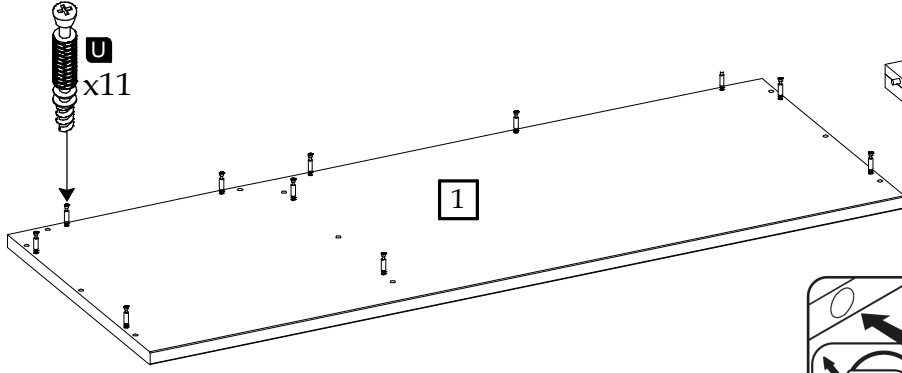
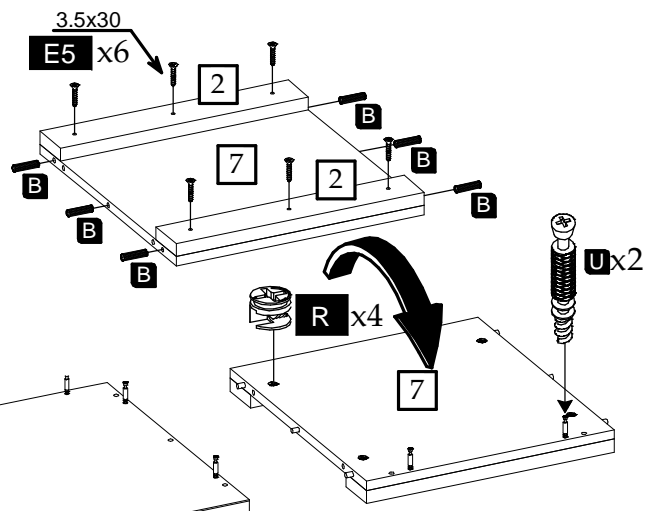
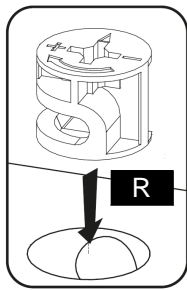
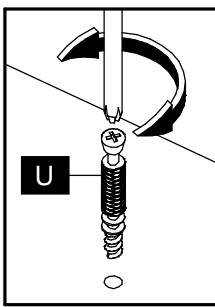


Element symbol	Measurements				Code	Pack
1	1300	490	22	1	1002	1/2
2	427	70	22	2	1001	1/2
3	748	470	16	1	1003	1/2
4	823	190	16	1	1004	1/2
5	748	470	16	1	1005	1/2
6	748	470	16	1	1006/2006	1/2
7	427	468	16	1	1007/2007	1/2
8	710	427	16	1	1009	1/2
9	427	442	16	1	N/A	1/2
10	350.5	120	16	1	1012/2012	1/2
11	369.5	101.5	16	1	1013	1/2
12	350.5	120	16	1	1014/2014	1/2
13	379.5	355	3	1	N/A	2/2
14	550	472	16	1	1001/3001	2/2
15	472	172	16	1	1018/3002	2/2

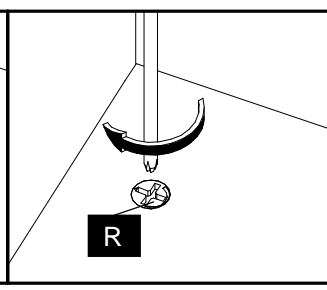
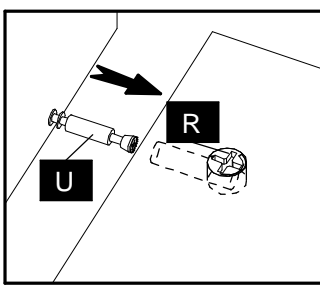
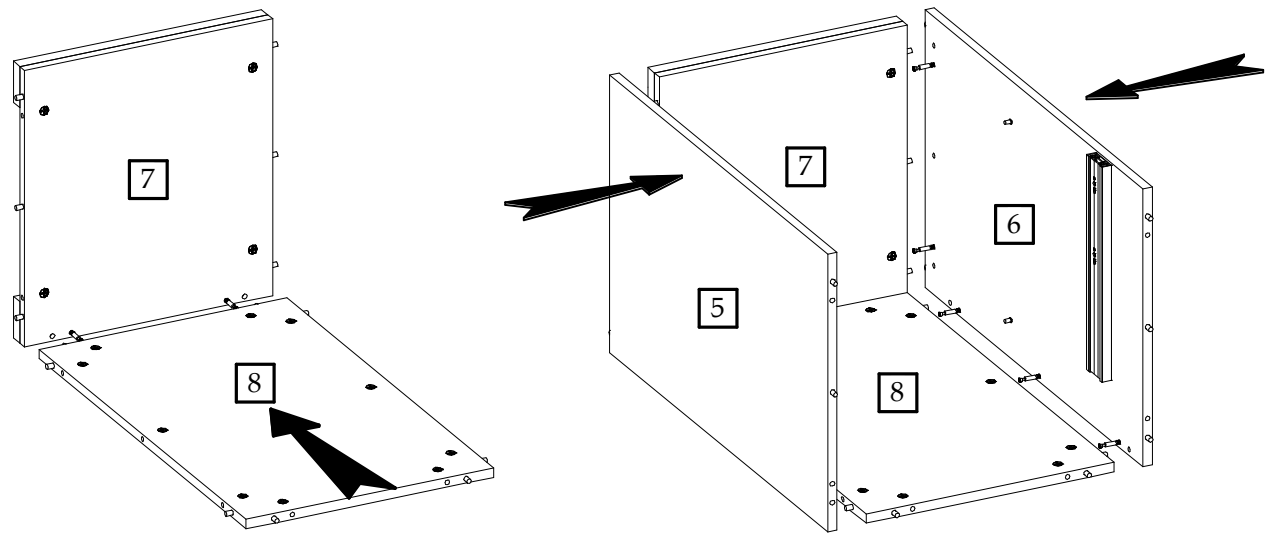




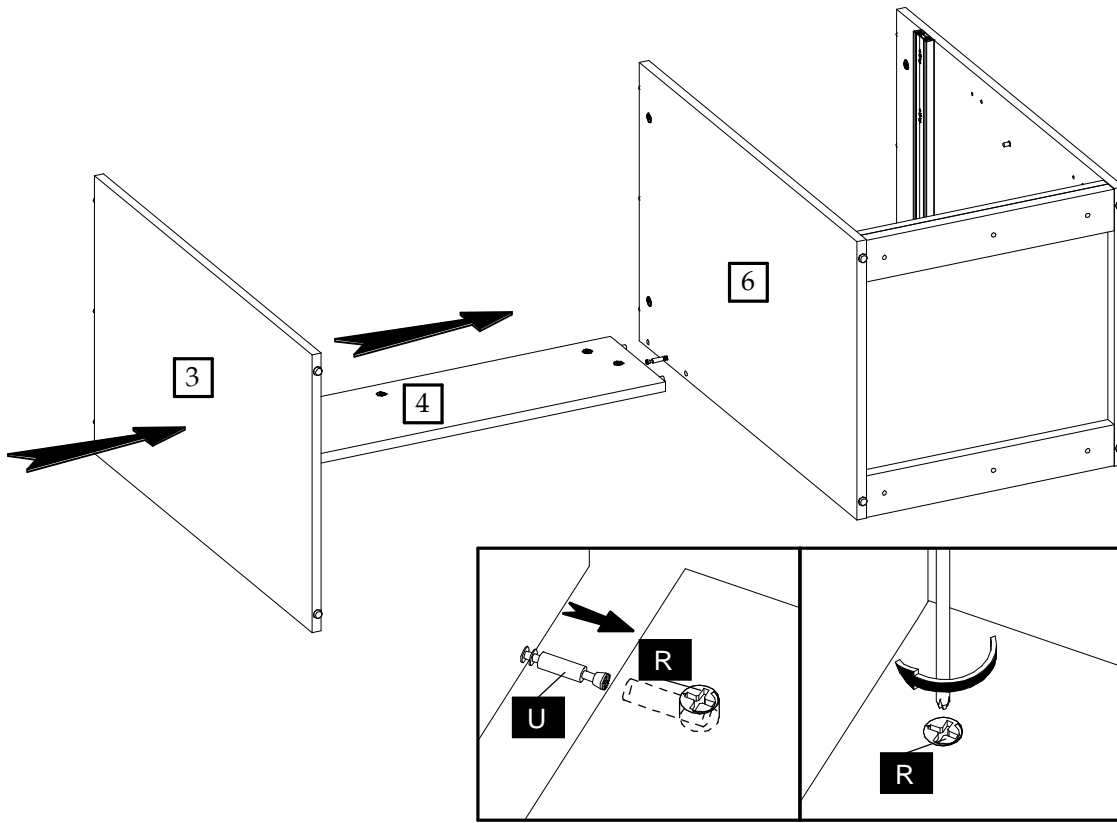
2



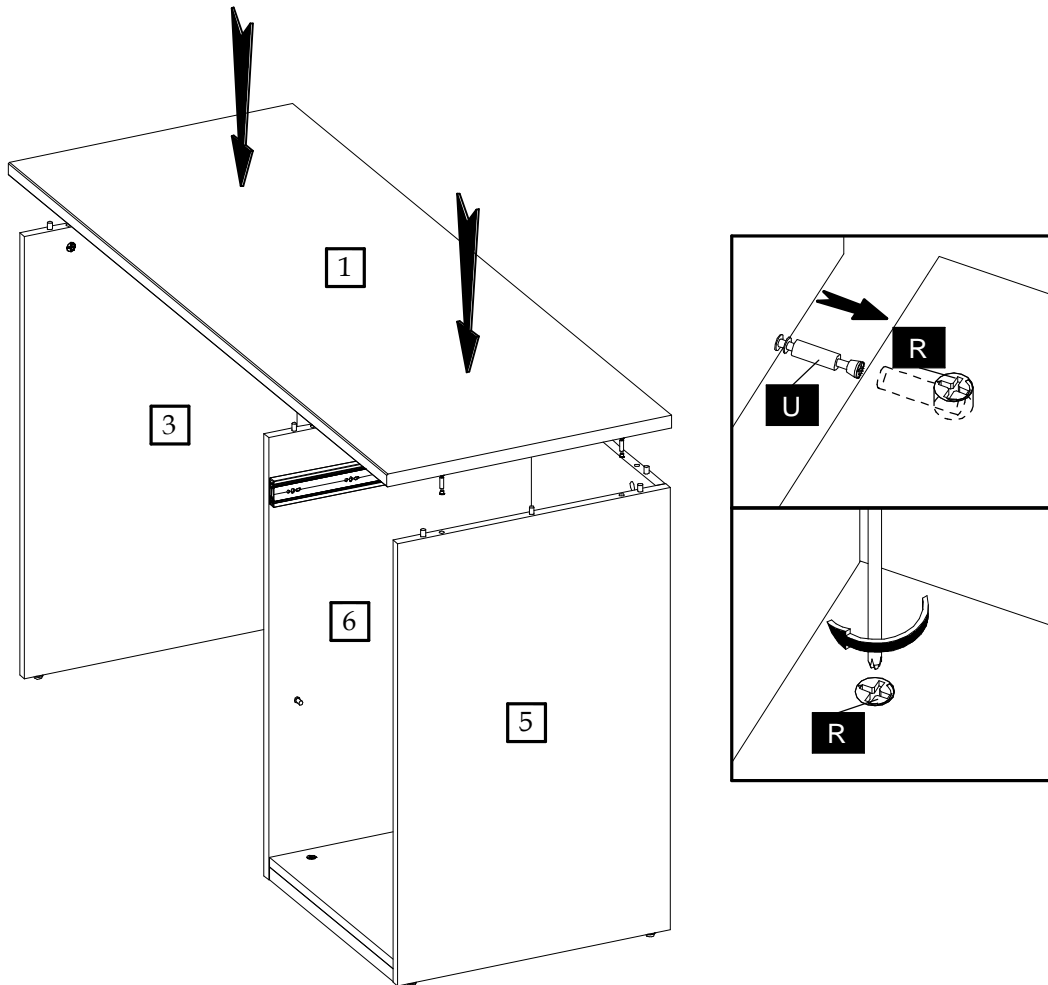
3



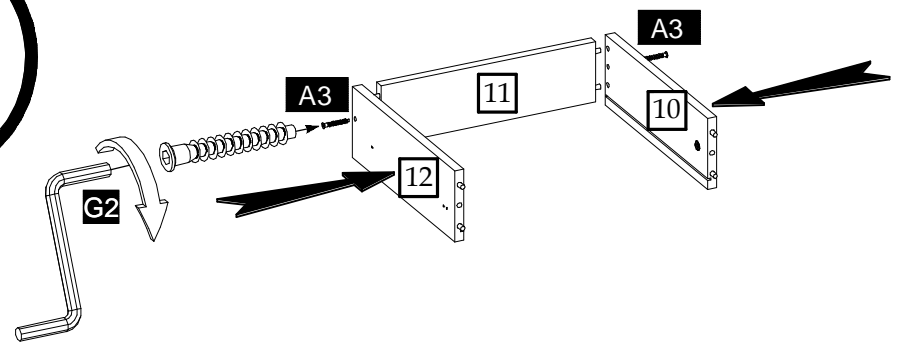
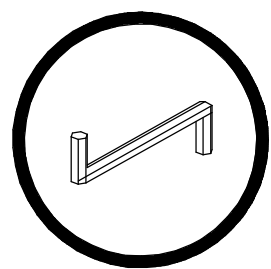
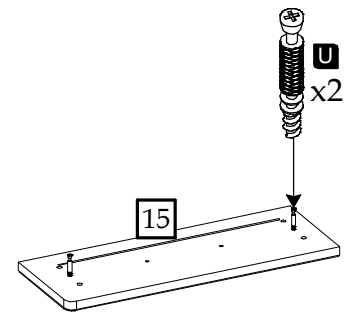
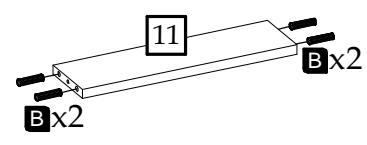
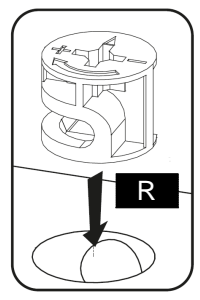
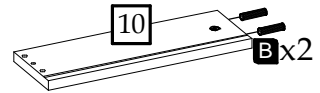
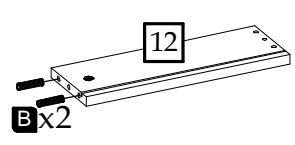
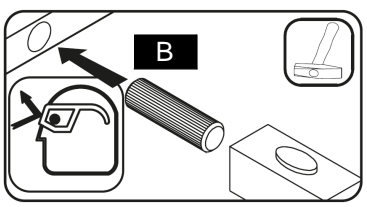
4



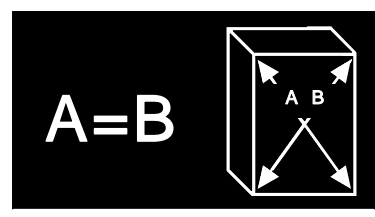
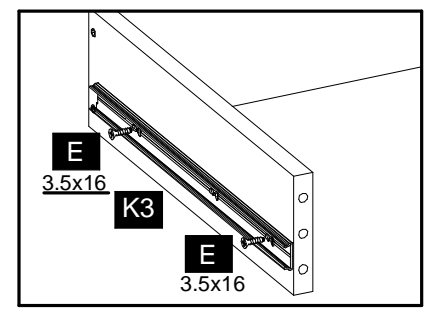
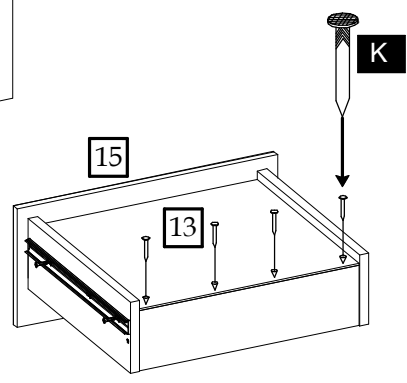
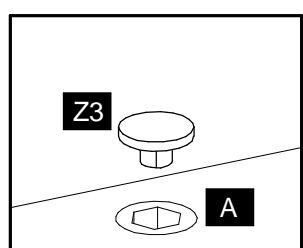
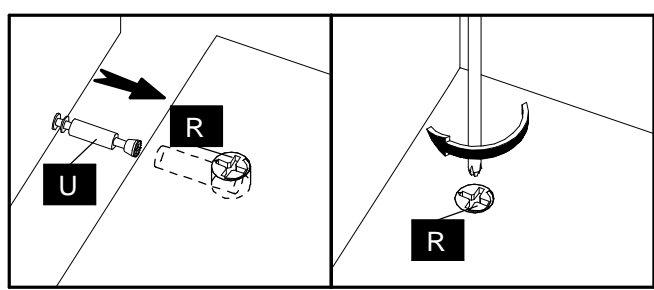
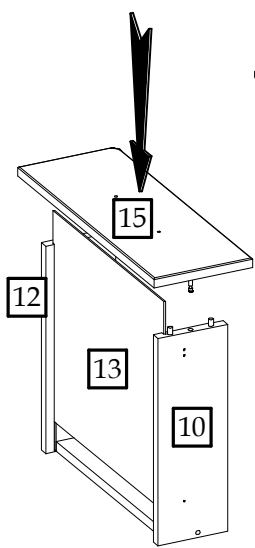
5



6

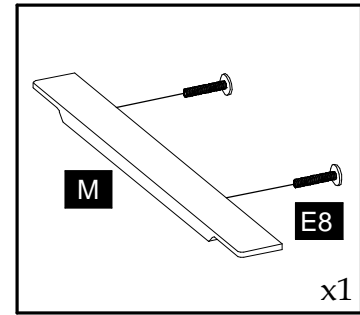
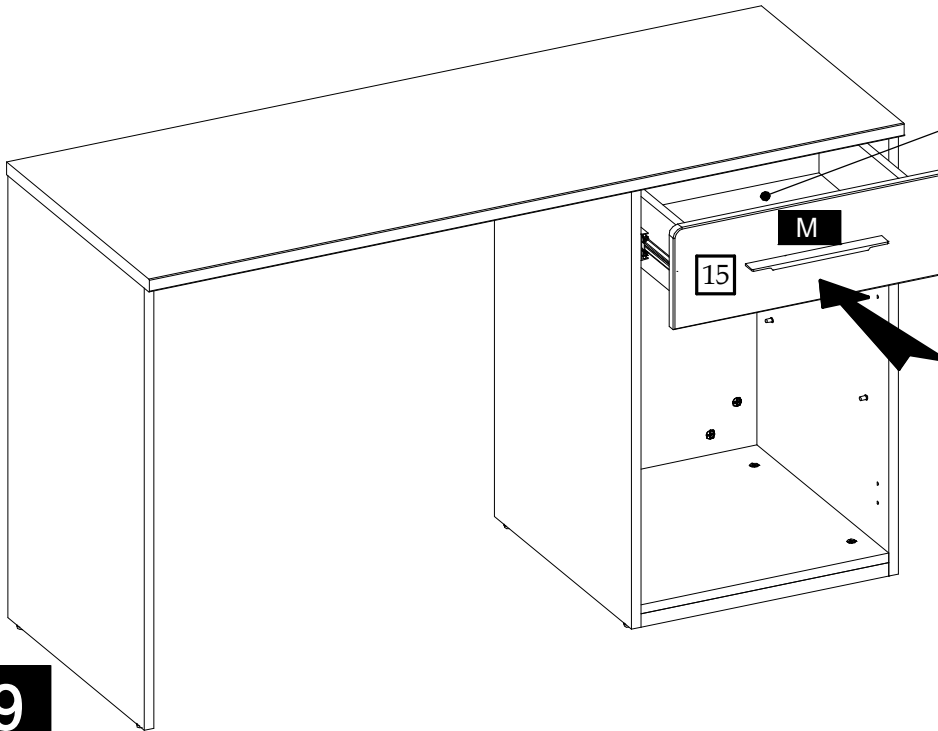
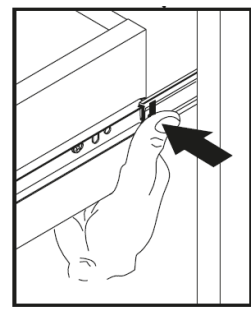
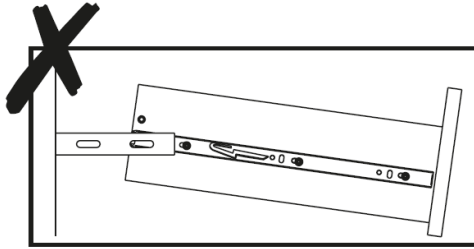
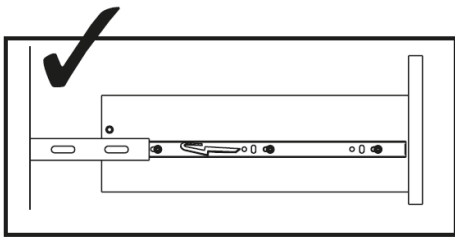


7





8



9

