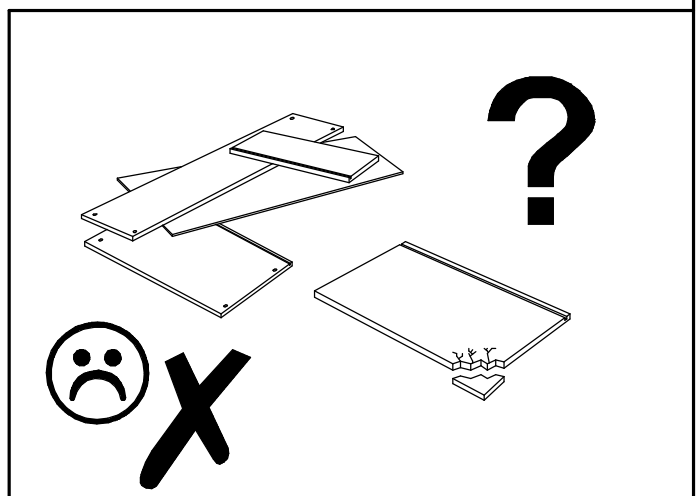
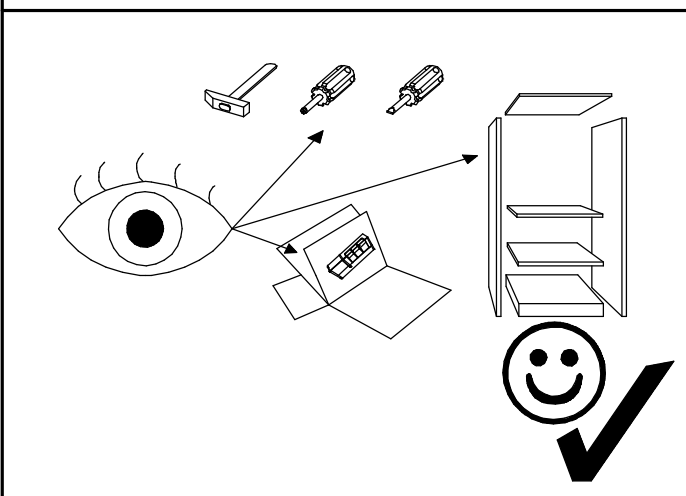
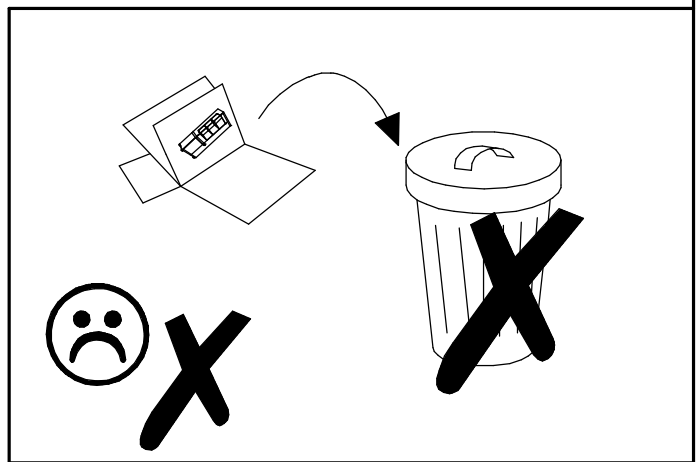
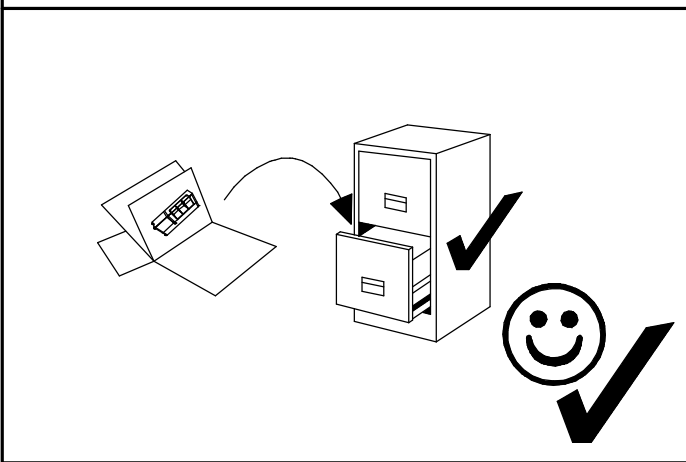
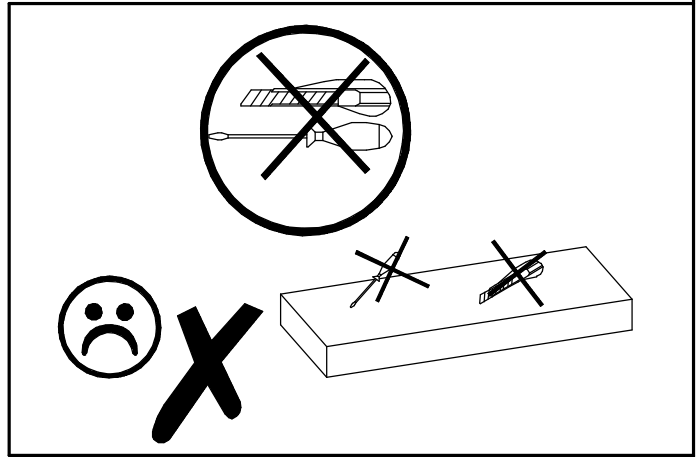
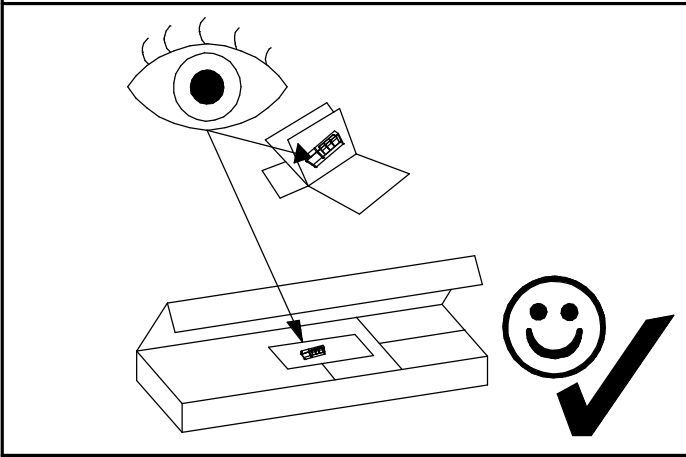
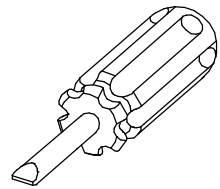
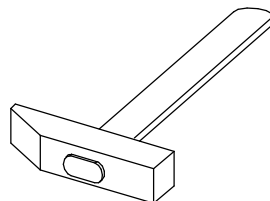
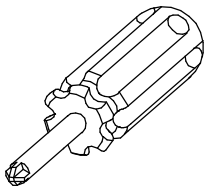
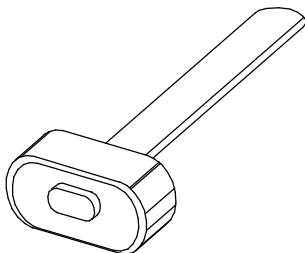
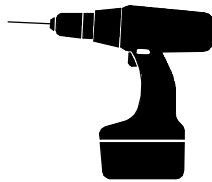
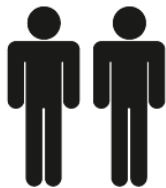
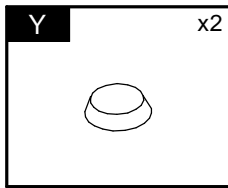
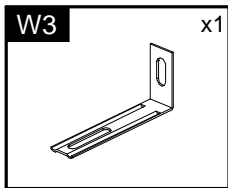
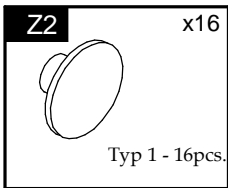
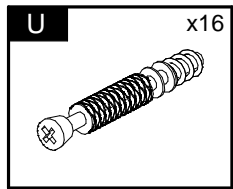
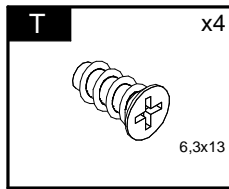
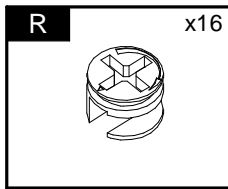
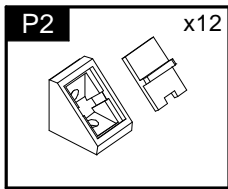
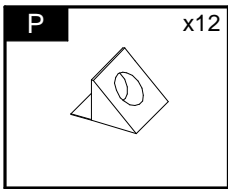
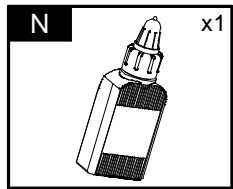
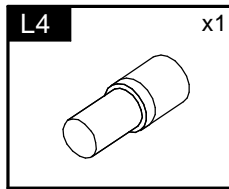
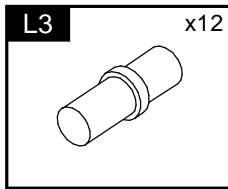
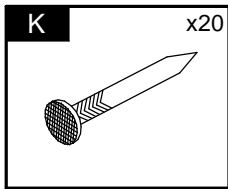
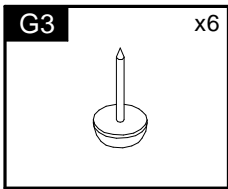
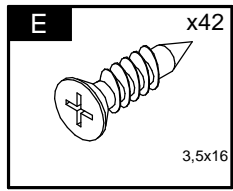
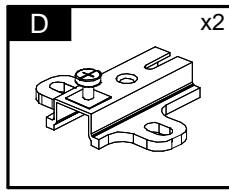
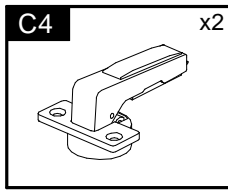
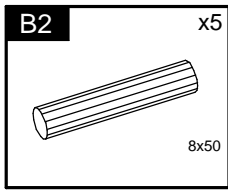
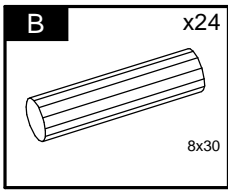
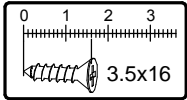
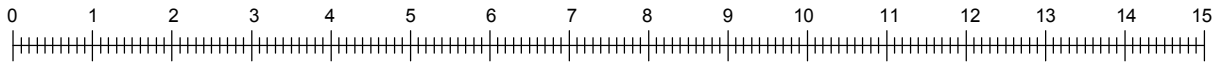


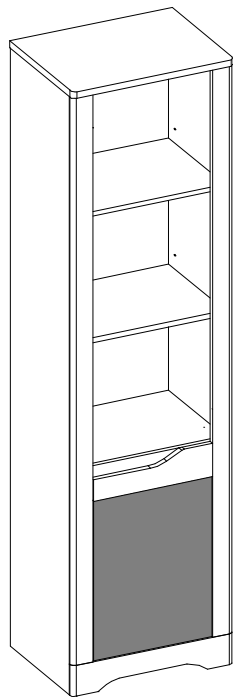
FIDEL

Typ R2

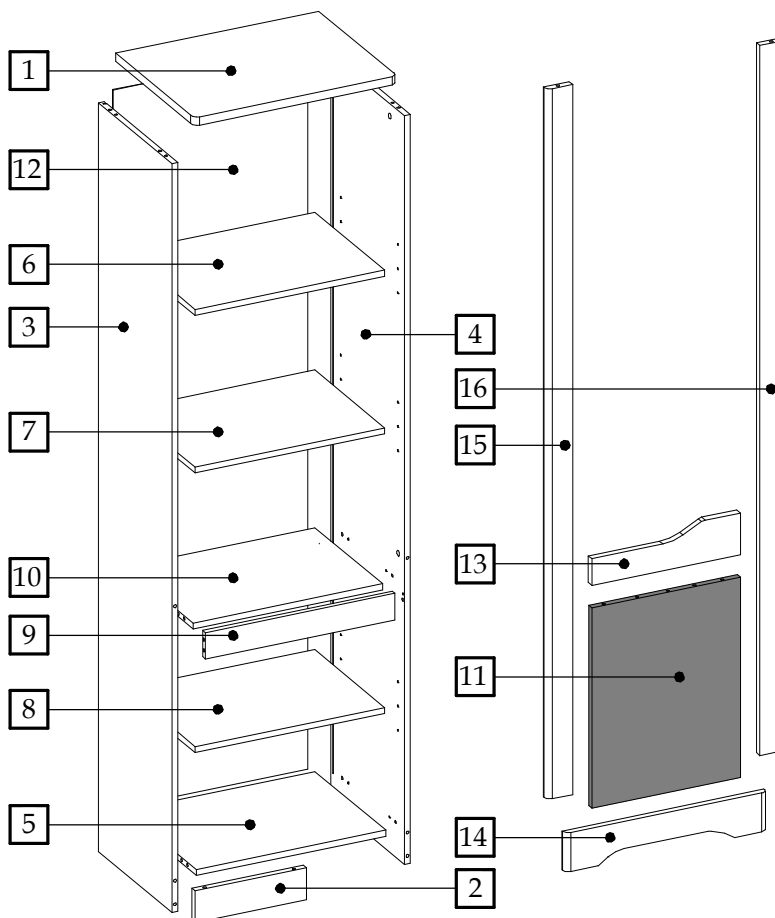


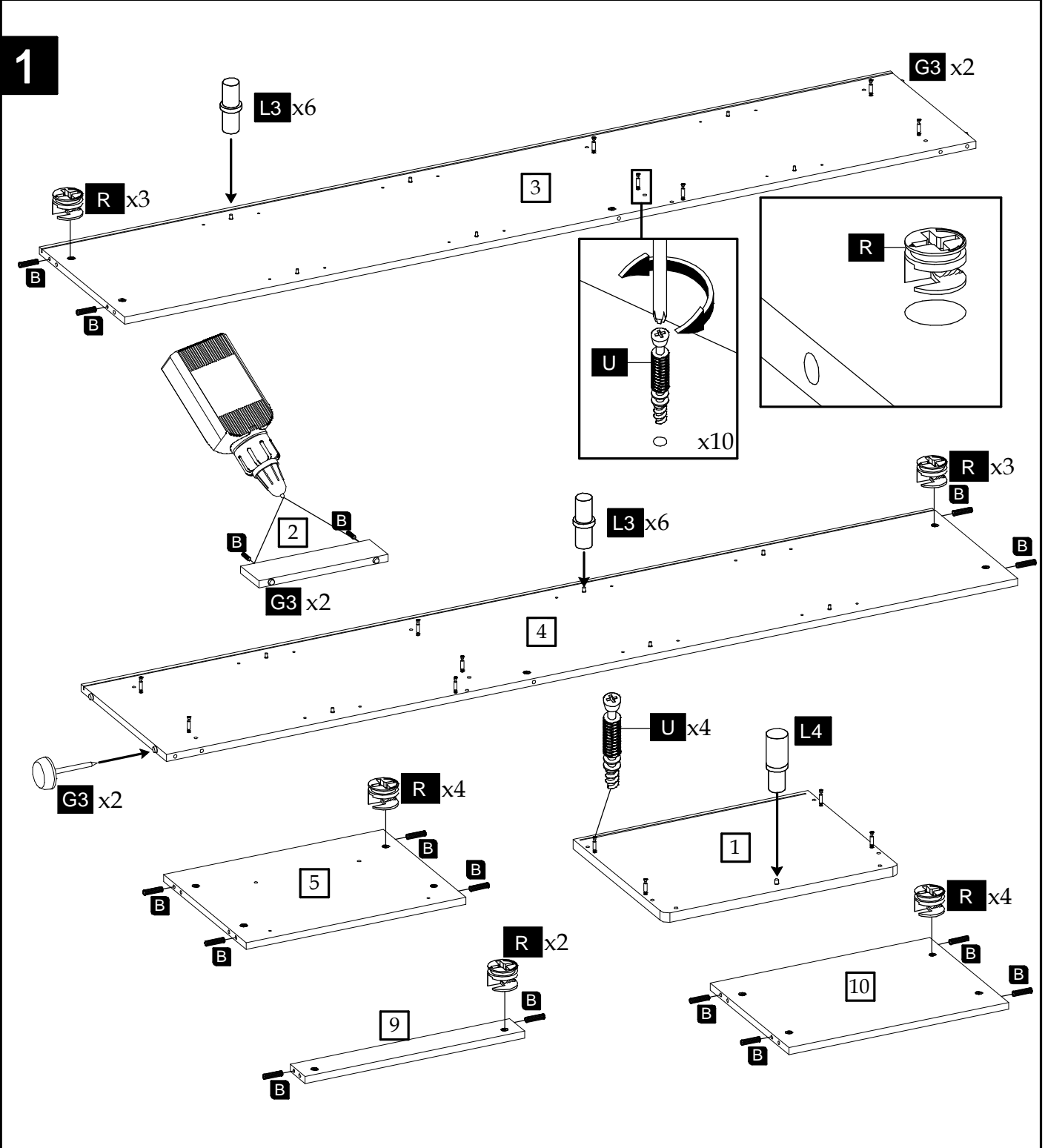




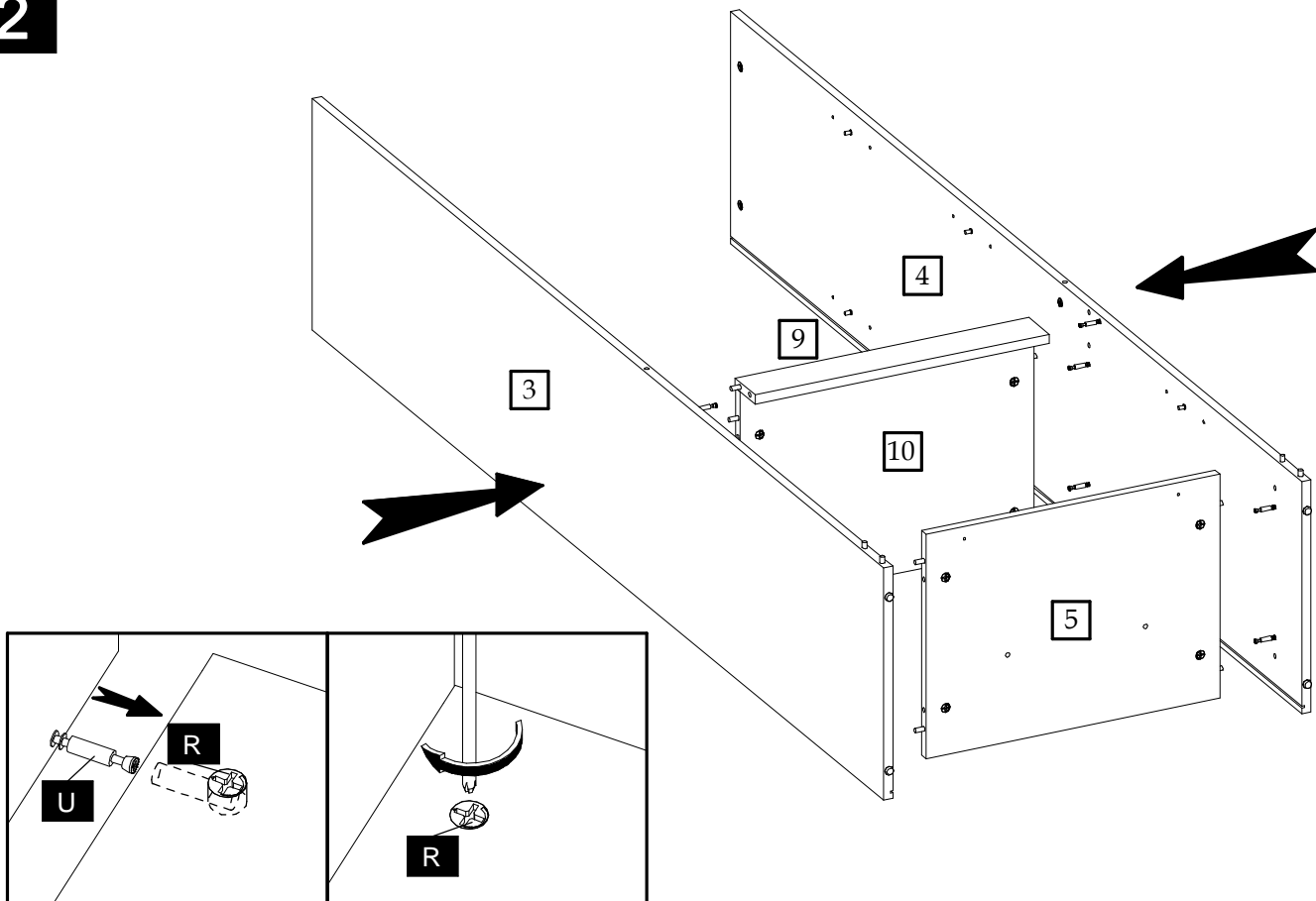


| Element symbol | Measurements | | | | Code | Paket |
|----------------|--------------|-------|----|---|-----------|-------|
| | | | | | | |
| 1 | 547 | 422 | 22 | 1 | 1002/2002 | 1/1 |
| 2 | 300 | 84 | 22 | 1 | 1008 | 1/1 |
| 3 | 1978 | 396 | 16 | 1 | 1003 | 1/1 |
| 4 | 1978 | 396 | 16 | 1 | 1004 | 1/1 |
| 5 | 510 | 382.5 | 16 | 1 | 1005 | 1/1 |
| 6 | 510 | 382 | 16 | 1 | N/A | 1/1 |
| 7 | 510 | 382 | 16 | 1 | N/A | 1/1 |
| 8 | 510 | 382 | 16 | 1 | N/A | 1/1 |
| 9 | 510 | 70 | 16 | 1 | 1025 | 1/1 |
| 10 | 510 | 365 | 16 | 1 | 1026 | 1/1 |
| 11 | 529 | 400 | 16 | 1 | 1020 | 1/1 |
| 12 | 1900 | 524 | 3 | 1 | 1030_v | 1/1 |
| 13 | 401 | 111 | 19 | 1 | 1011_v | 1/1 |
| 14 | 545 | 103 | 19 | 1 | 1008/3001 | 1/1 |
| 15 | 1878 | 72 | 19 | 1 | 1005/3002 | 1/1 |
| 16 | 1878 | 72 | 19 | 1 | 1005/3003 | 1/1 |

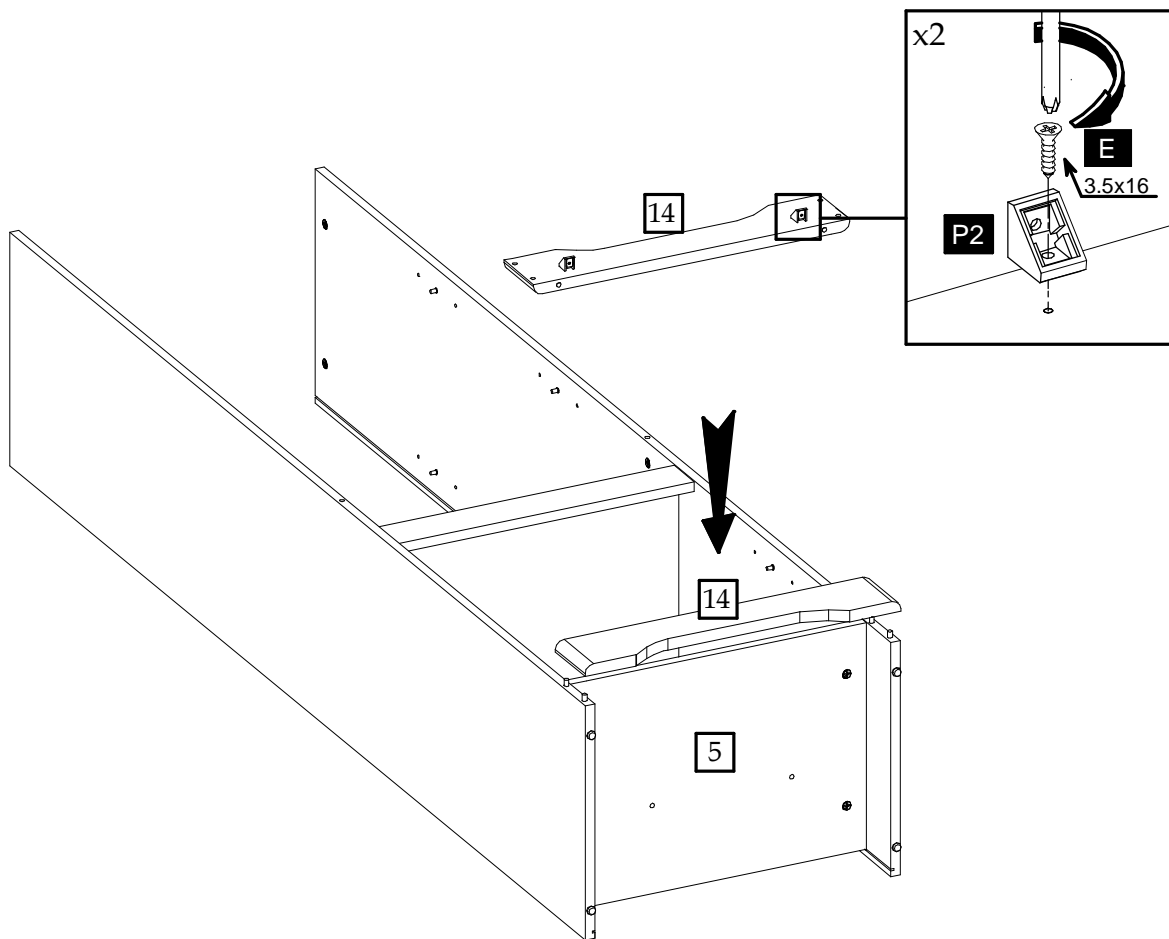


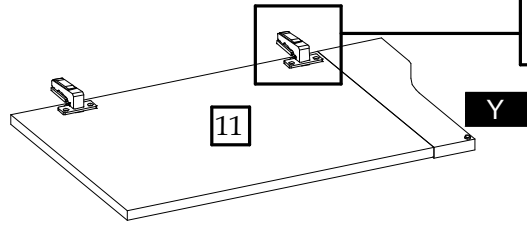
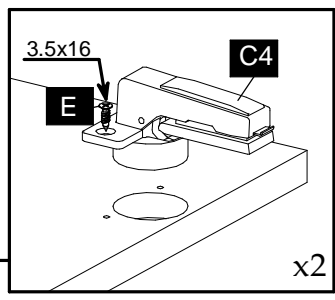
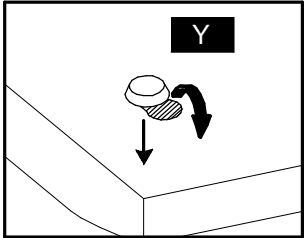
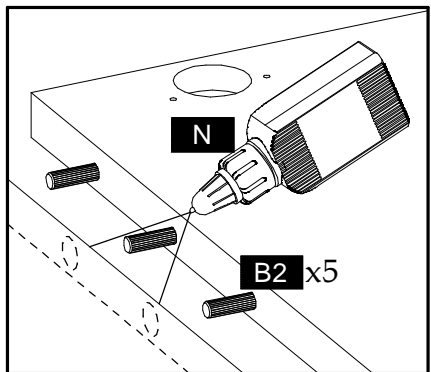
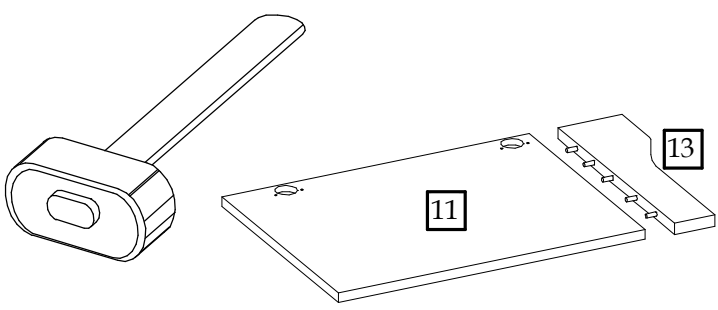
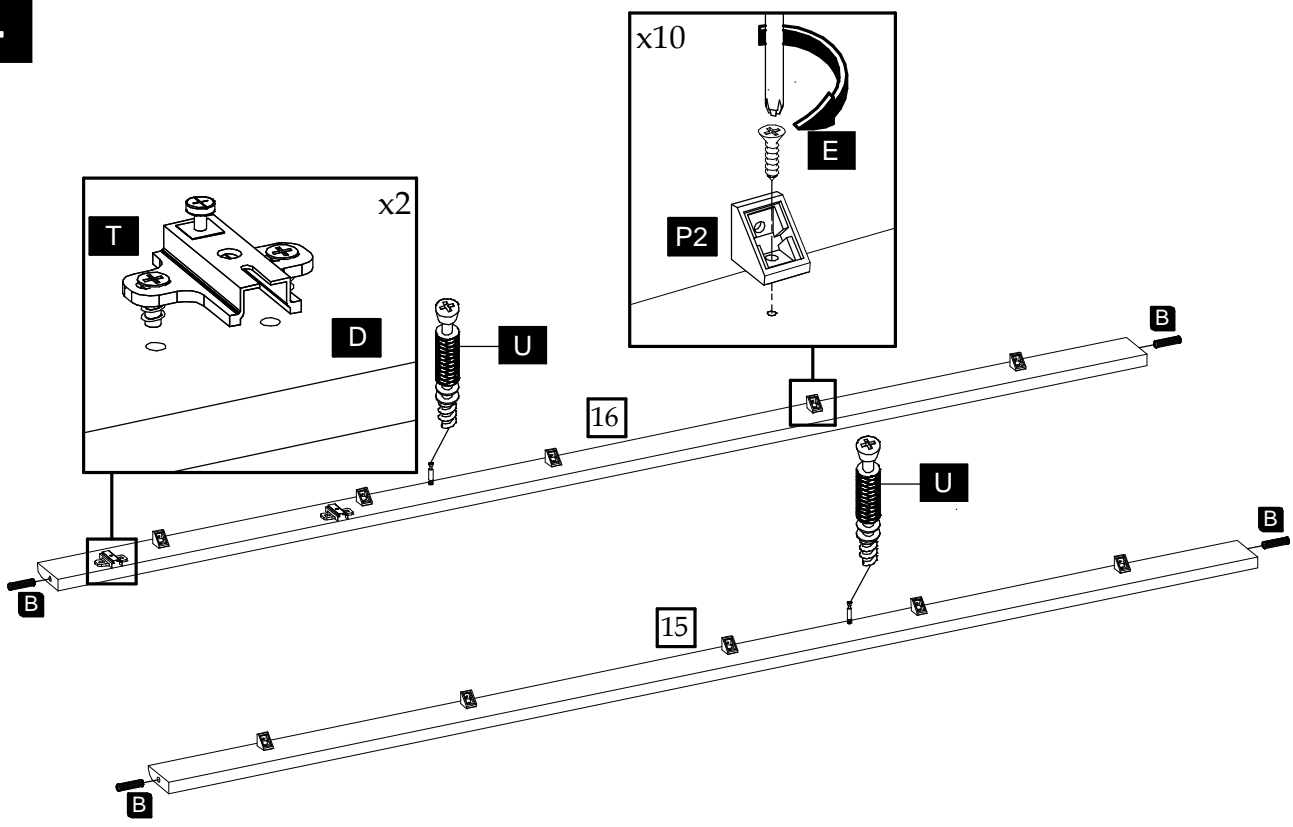


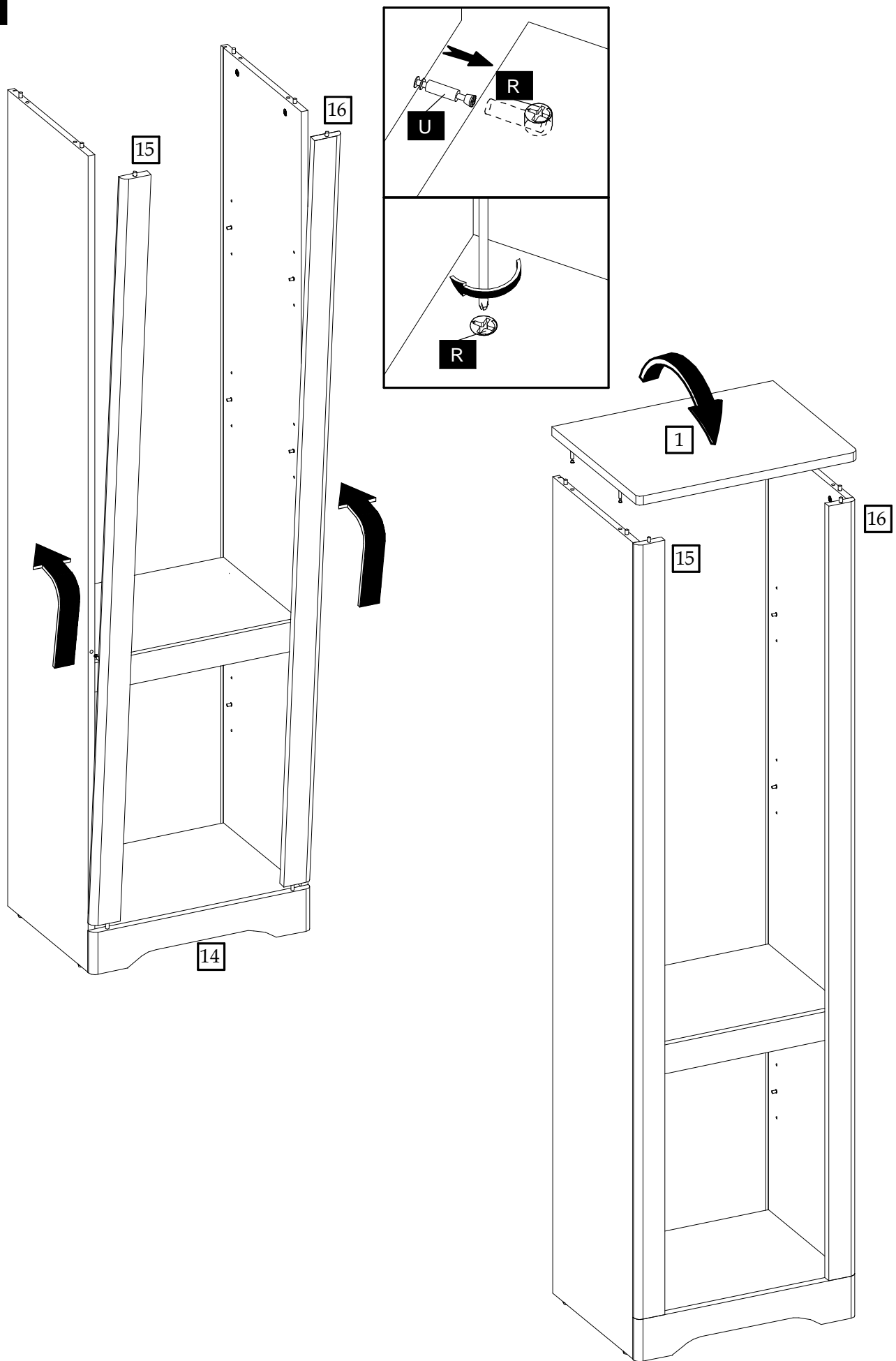
2



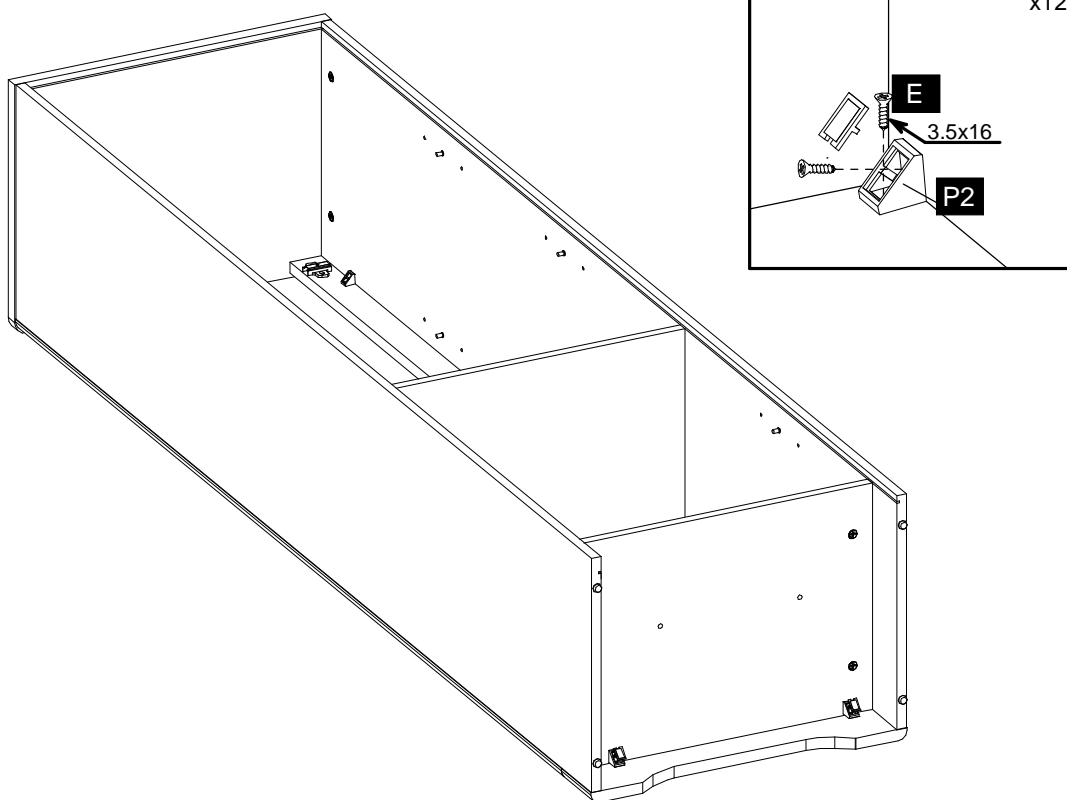
3







6



7

