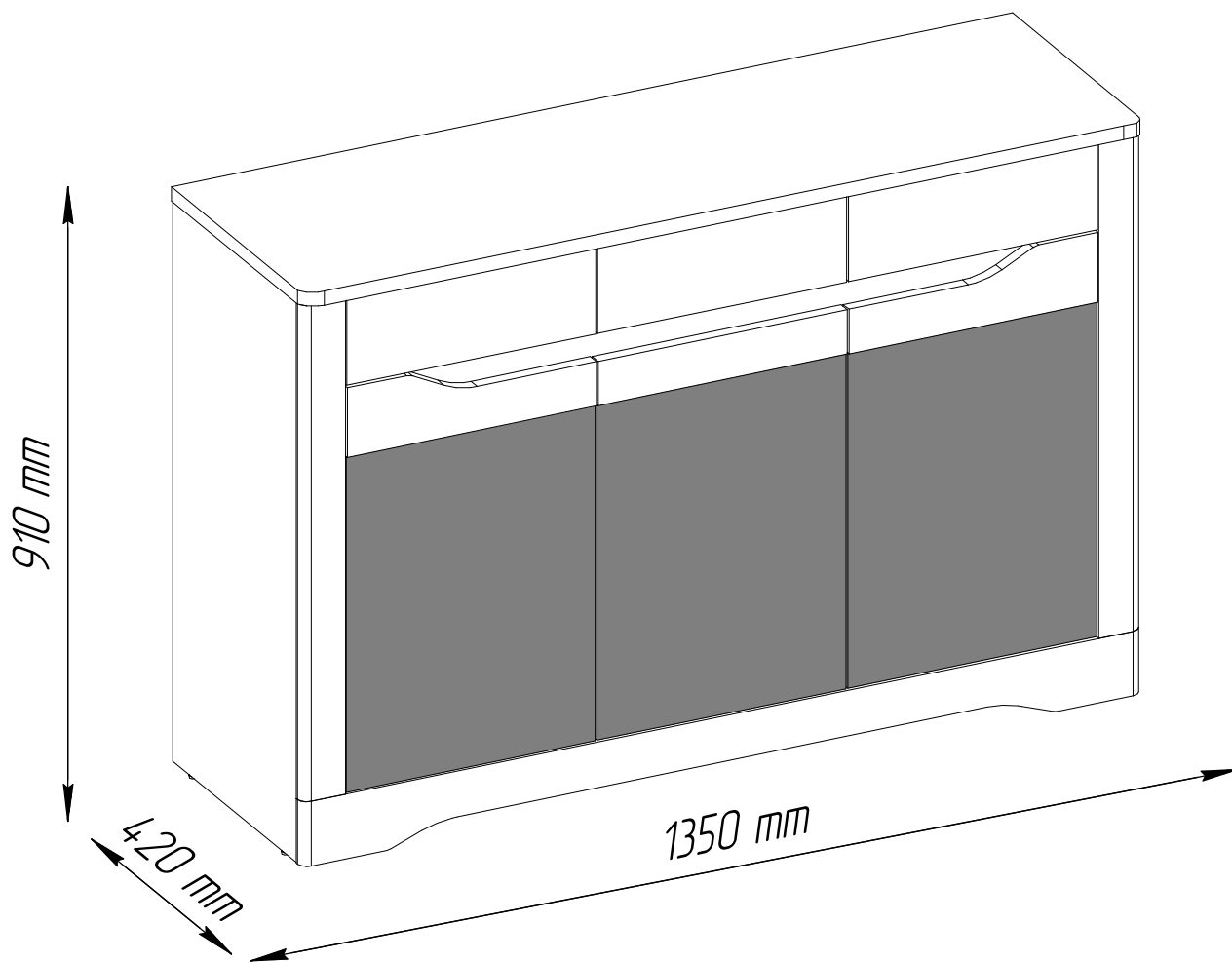
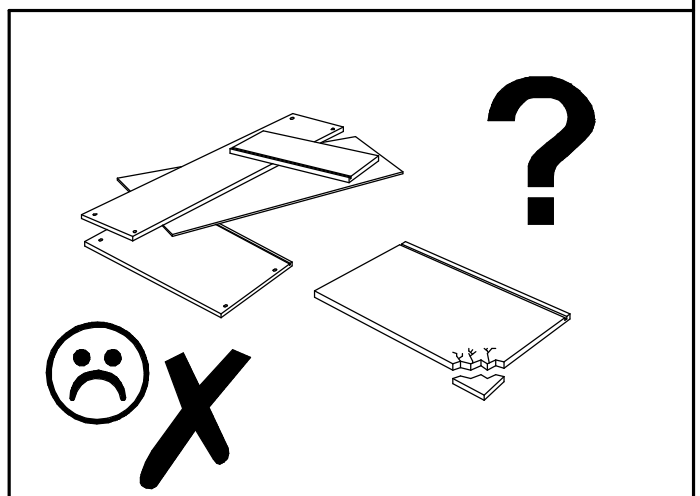
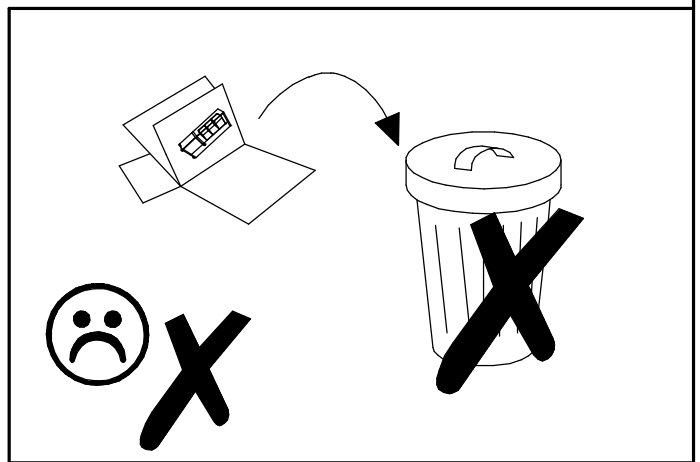
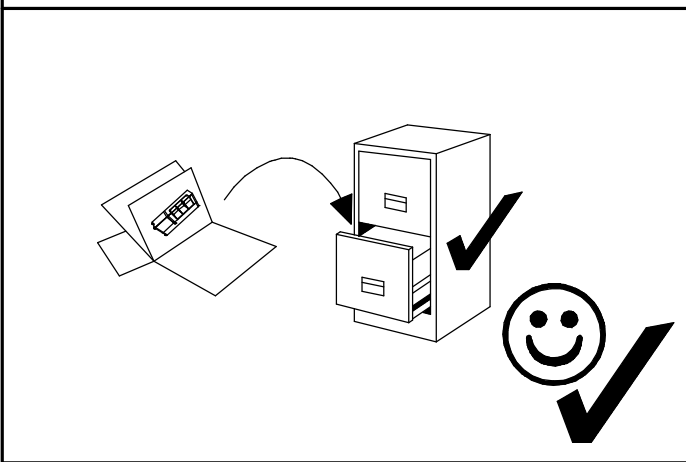
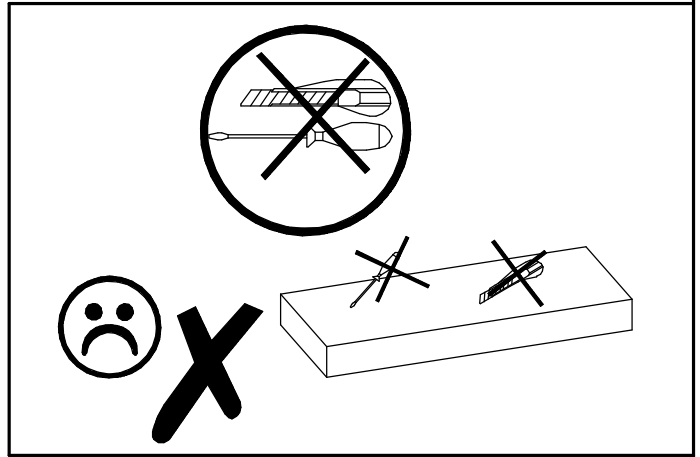
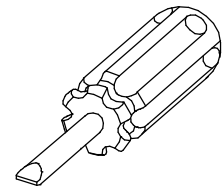
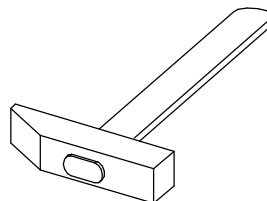
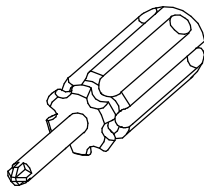
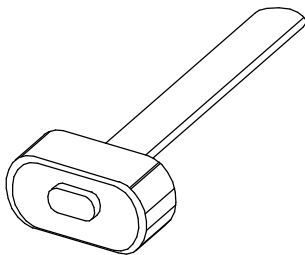
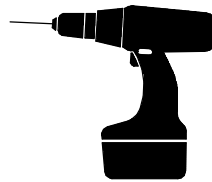
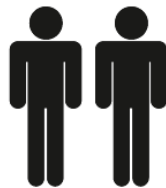
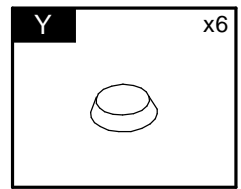
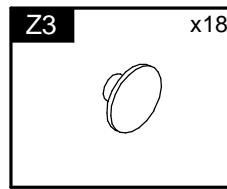
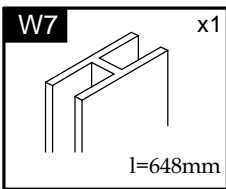
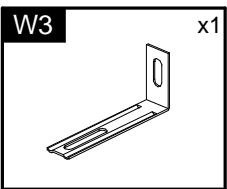
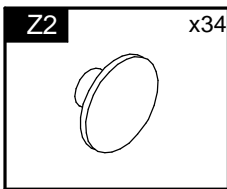
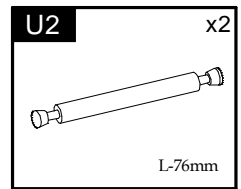
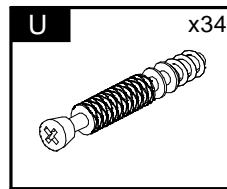
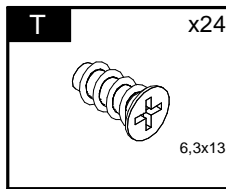
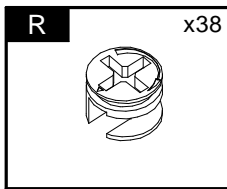
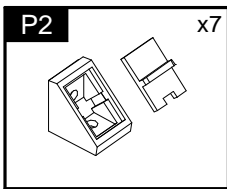
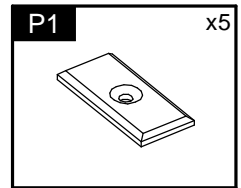
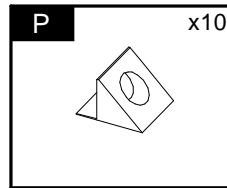
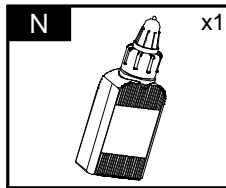
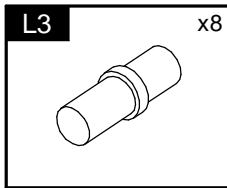
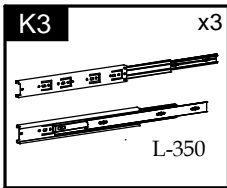
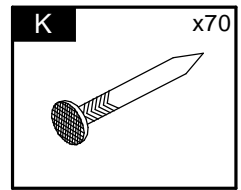
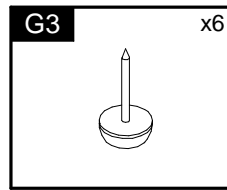
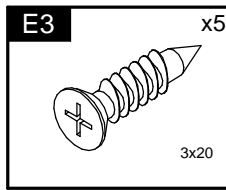
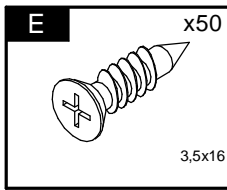
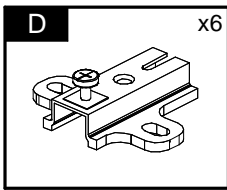
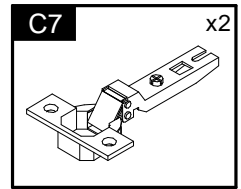
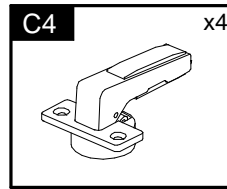
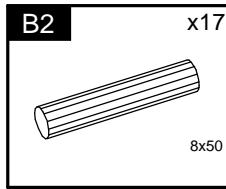
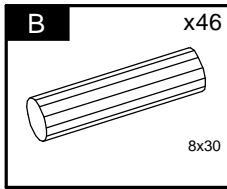
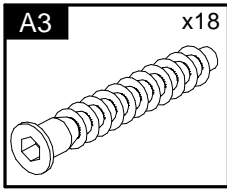
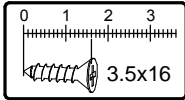
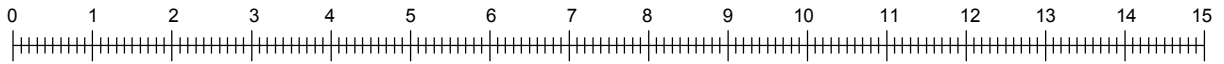


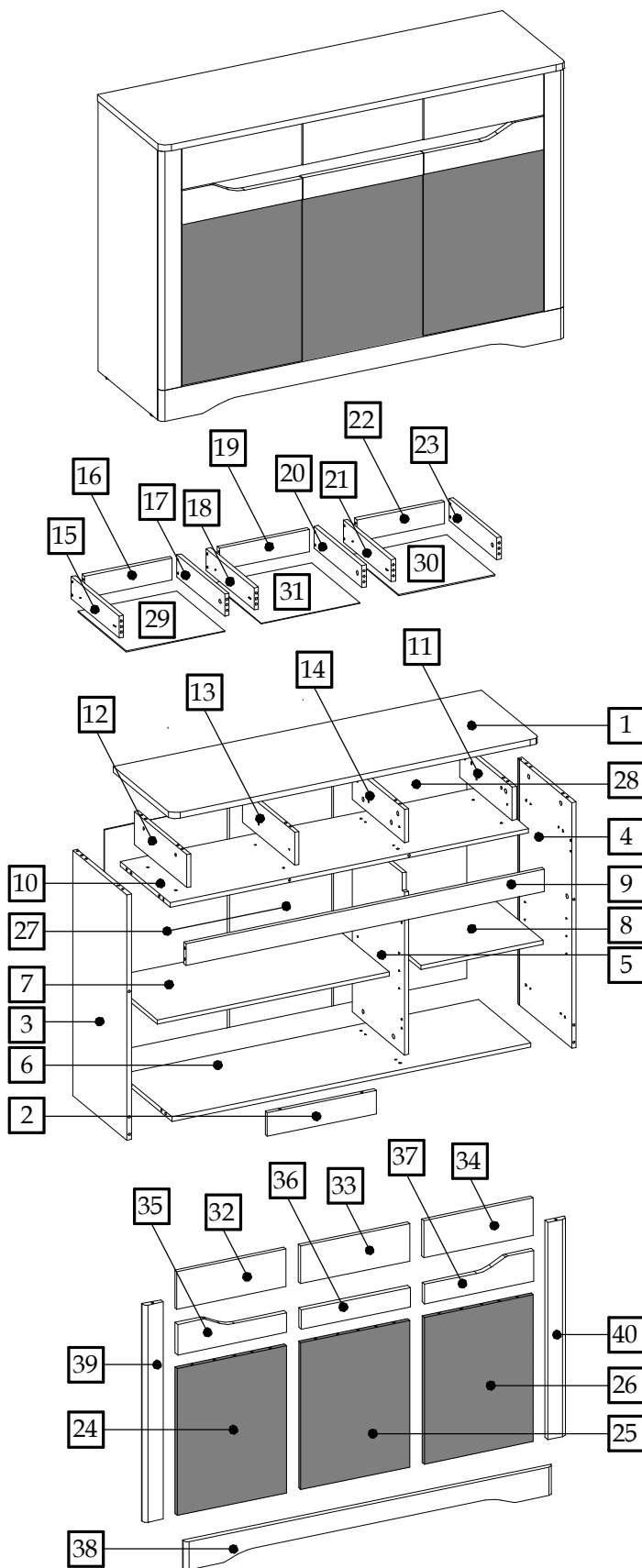
# FIDEL

## Typ E

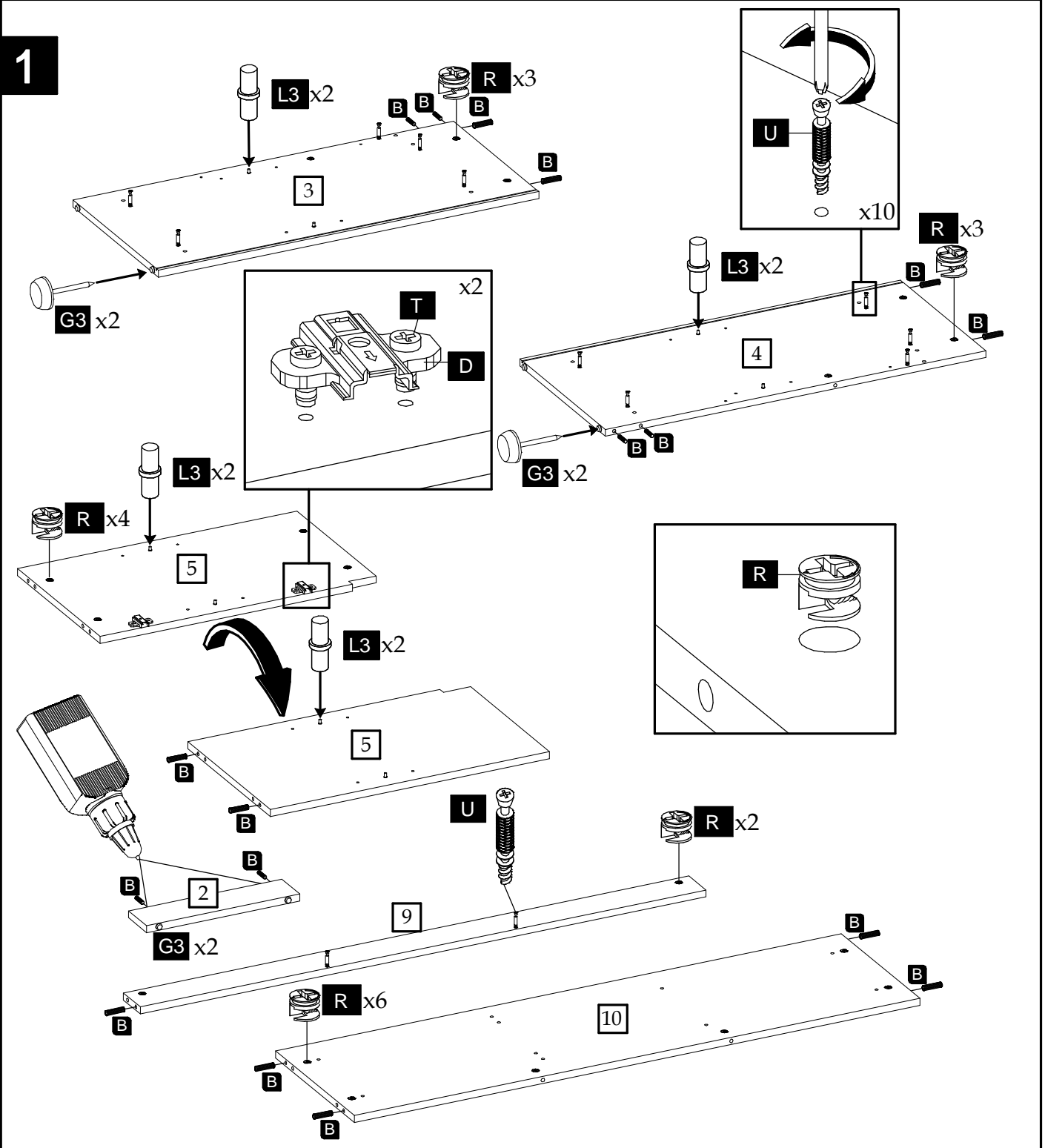




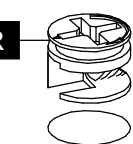
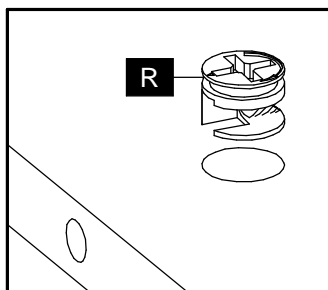




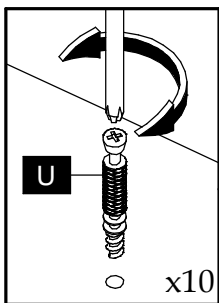
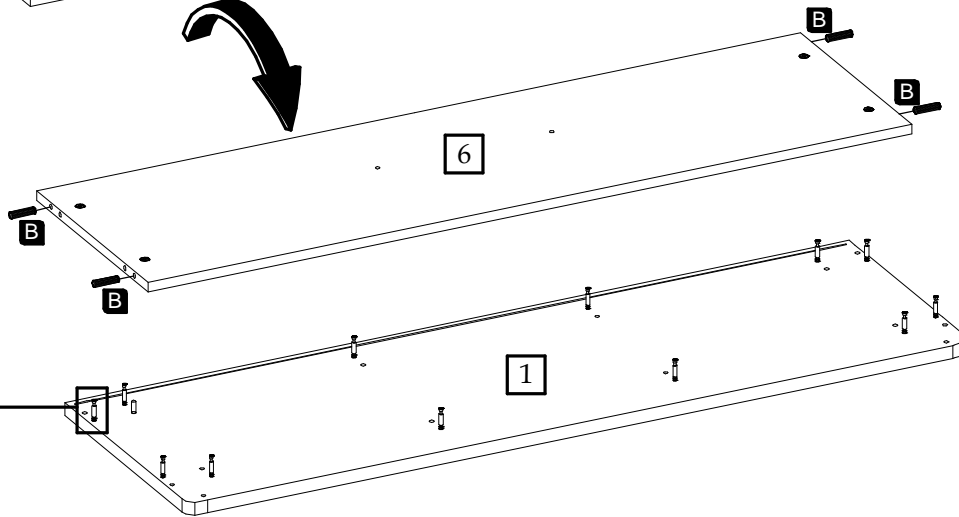
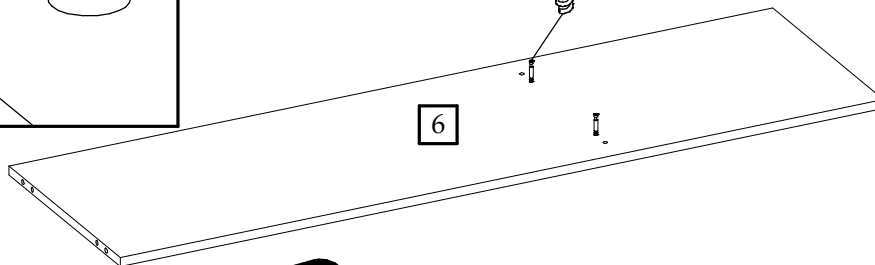
Element symbol	Measurements				Code	Paket
1	1351	422	22	1	1002/2002	1/2
2	400	84	22	1	1008	1/2
3	884	396	16	1	1028	1/2
4	884	396	16	1	1004	1/2
5	649	382	16	1	1039_v	1/2
6	1315	382	16	1	1005/2005	1/2
7	851.5	382	16	1	N/A	1/2
8	447.5	382	16	1	N/A	1/2
9	1315	79	16	1	1030	1/2
10	1315	365	16	1	1031	1/2
11	119	382	16	1	1032	1/2
12	119	382	16	1	1033	1/2
13	119	382	16	1	1048/2048	1/2
14	119	382	16	1	1054/2054	1/2
15	350	79.5	16	1	1044/2044	1/2
16	322	79.5	16	1	1045	1/2
17	350	79.5	16	1	1046/2046	1/2
18	350	79.5	16	1	1050/2050	1/2
19	329.5	79.5	16	1	1051	1/2
20	350	79.5	16	1	1052/2052	1/2
21	350	79.5	16	1	1056/2056	1/2
22	322	79.5	16	1	1057	1/2
23	350	79.5	16	1	1058/2058	1/2
24	529	400	16	1	1020	2/2
25	529	400	16	1	1022	2/2
26	529	400	16	1	1041	2/2
27	806	433	3	2	N/A	1/2
28	806	462	3	1	1060_v	1/2
29	355	355	3	1	N/A	1/2
30	355	355	3	1	N/A	1/2
31	361.5	355	3	1	N/A	1/2
32	402	137	19	1	1020/3001	2/2
33	402	137	19	1	1021/3002	2/2
34	402	137	19	1	1022/3003	1/2
35	401	111	19	1	1002_v	2/2
36	401	71	19	1	1017_v	2/2
37	401	111	19	1	1011_v	2/2
38	1351	103	19	1	1016/3007	1/2
39	784	70	19	1	1014/3008	1/2
40	784	70	19	1	1014/3009	1/2



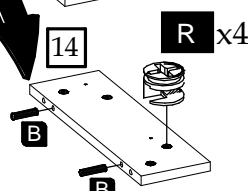
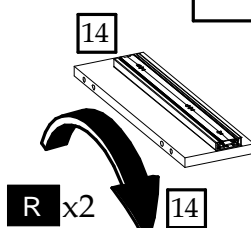
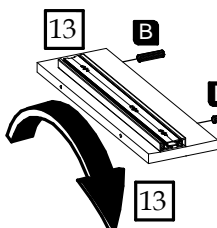
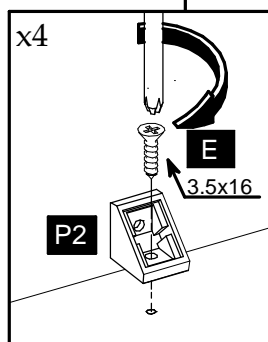
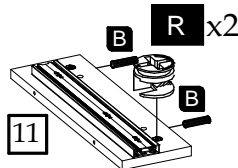
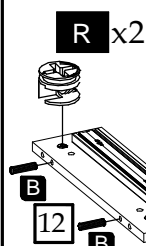
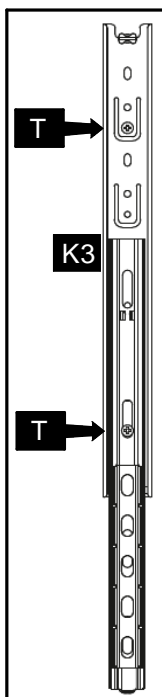
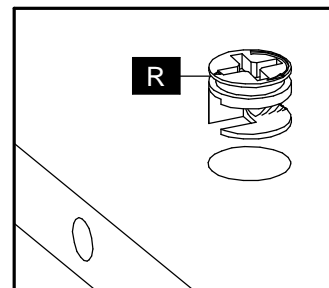
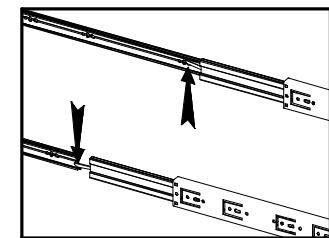
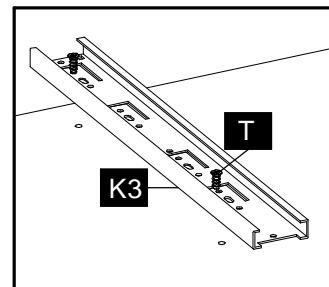
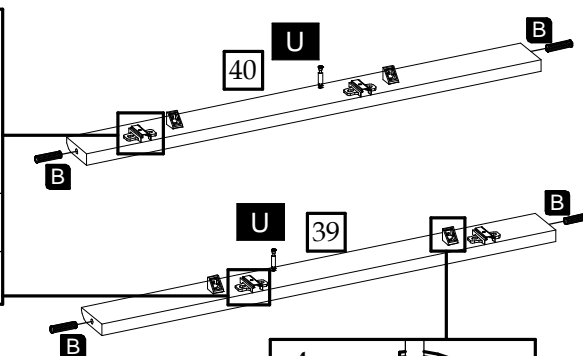
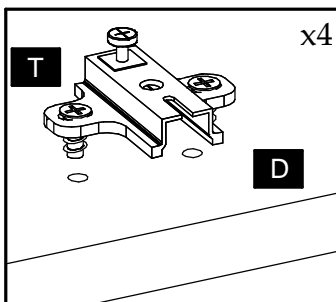
2



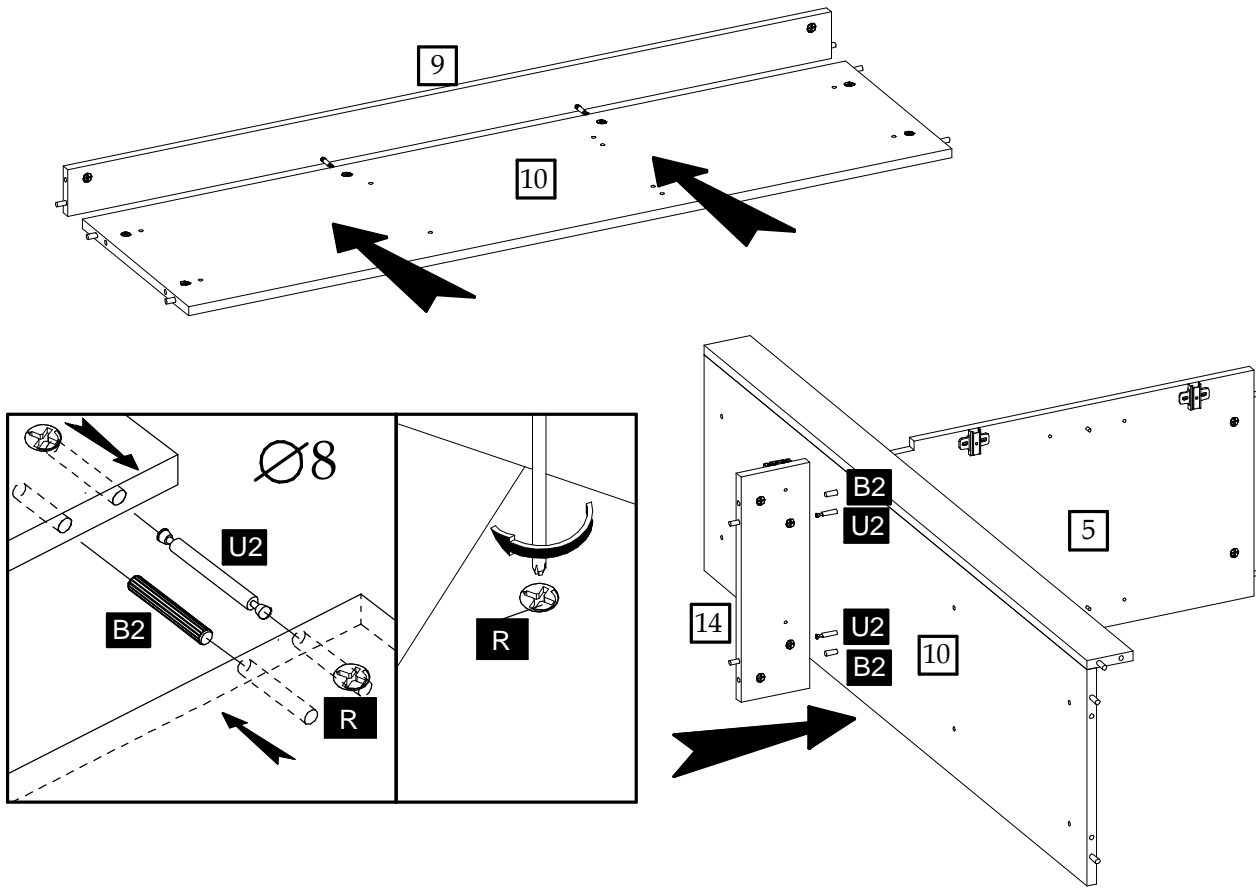
U x2



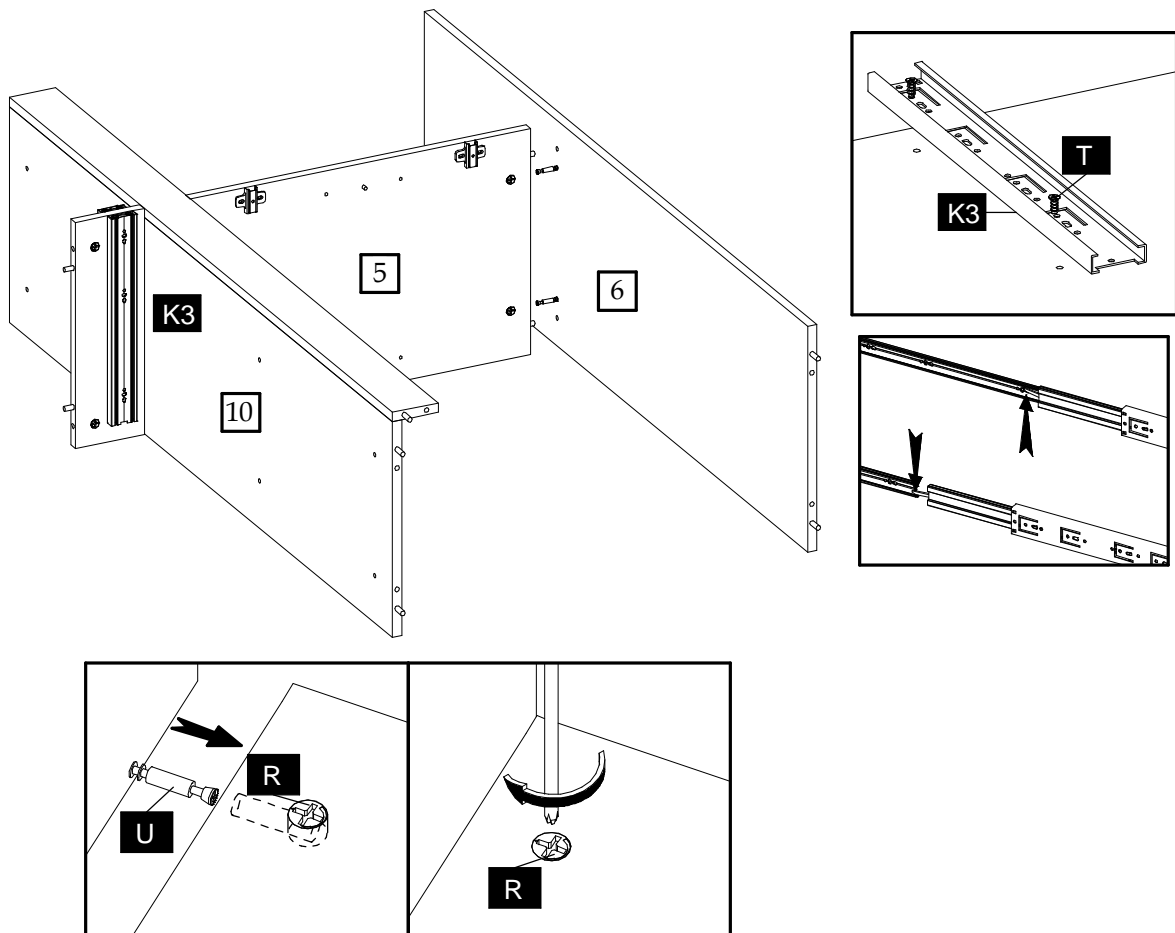
3



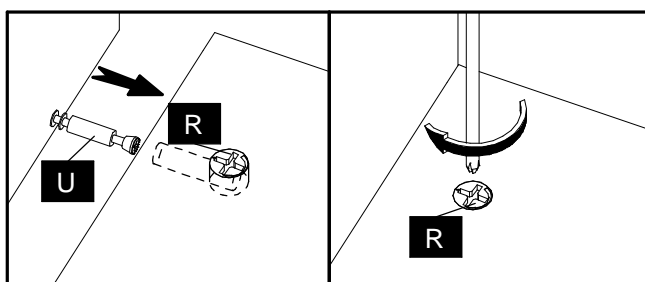
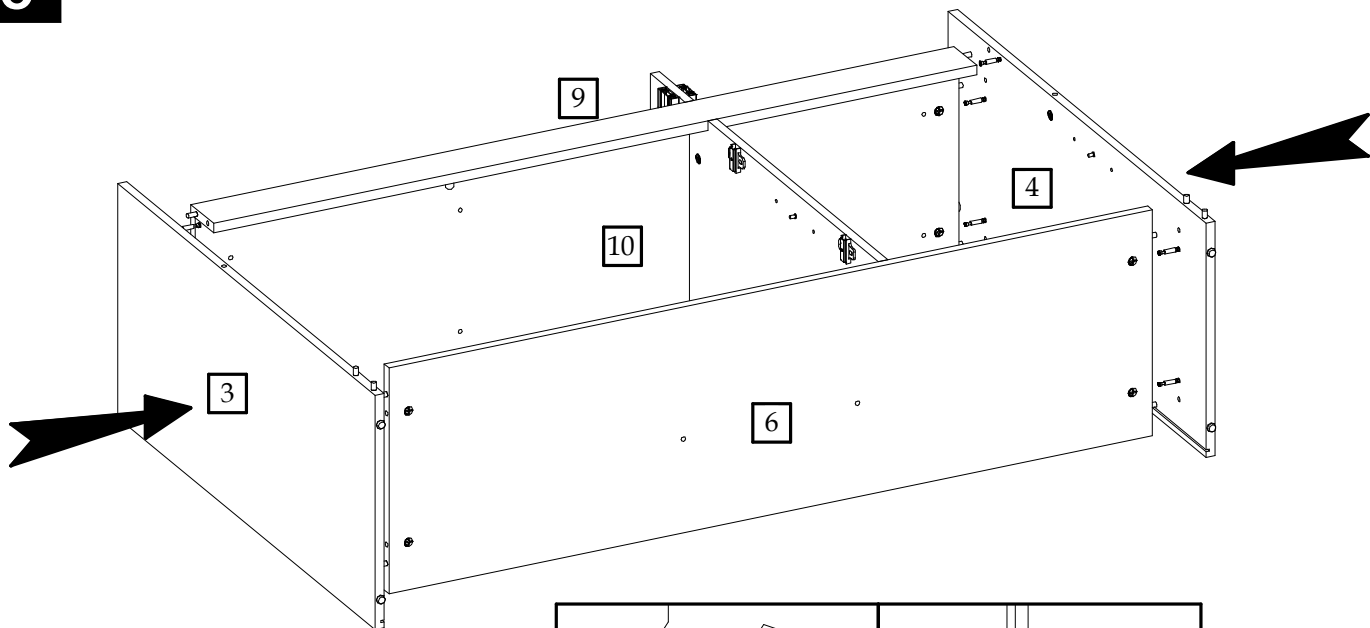
4



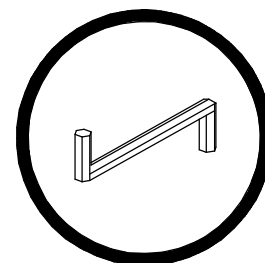
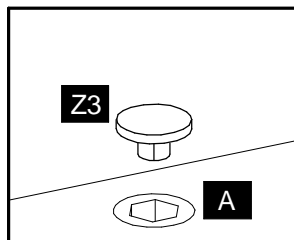
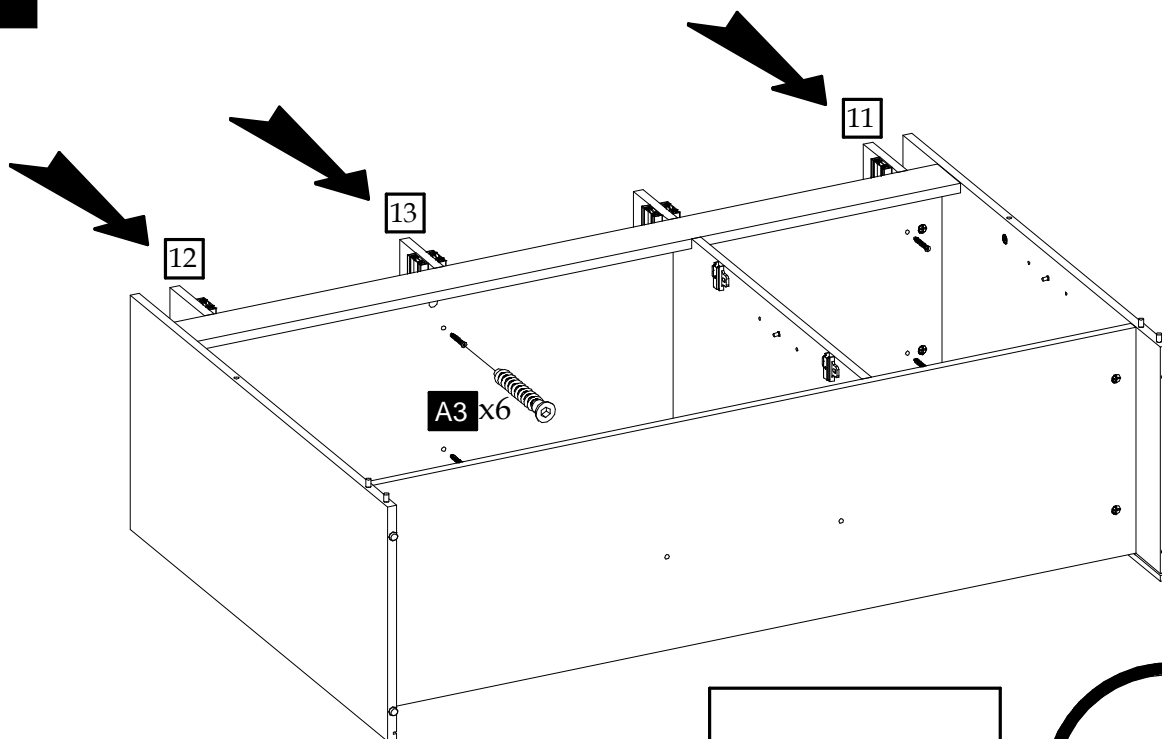
5



6

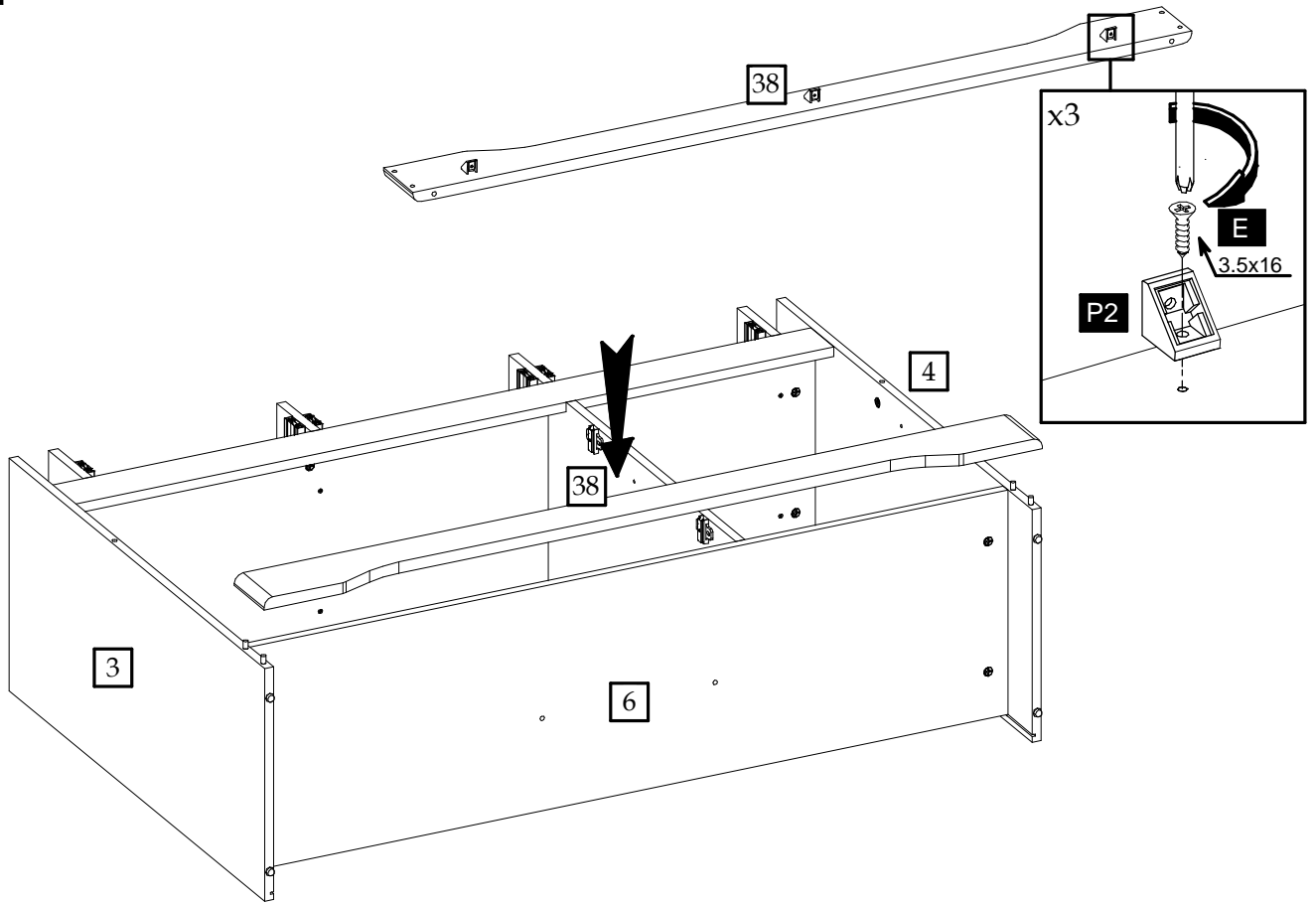


7

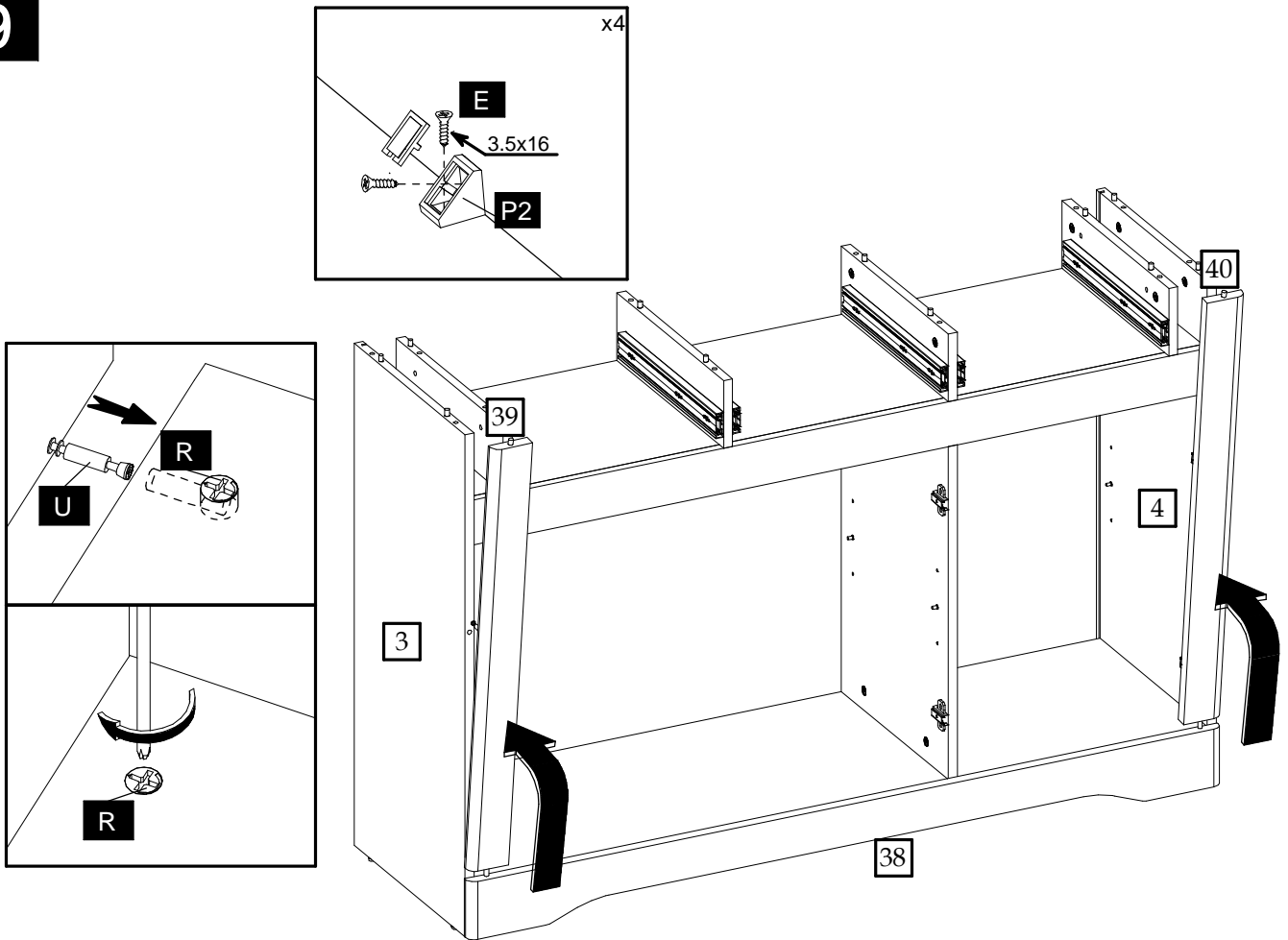




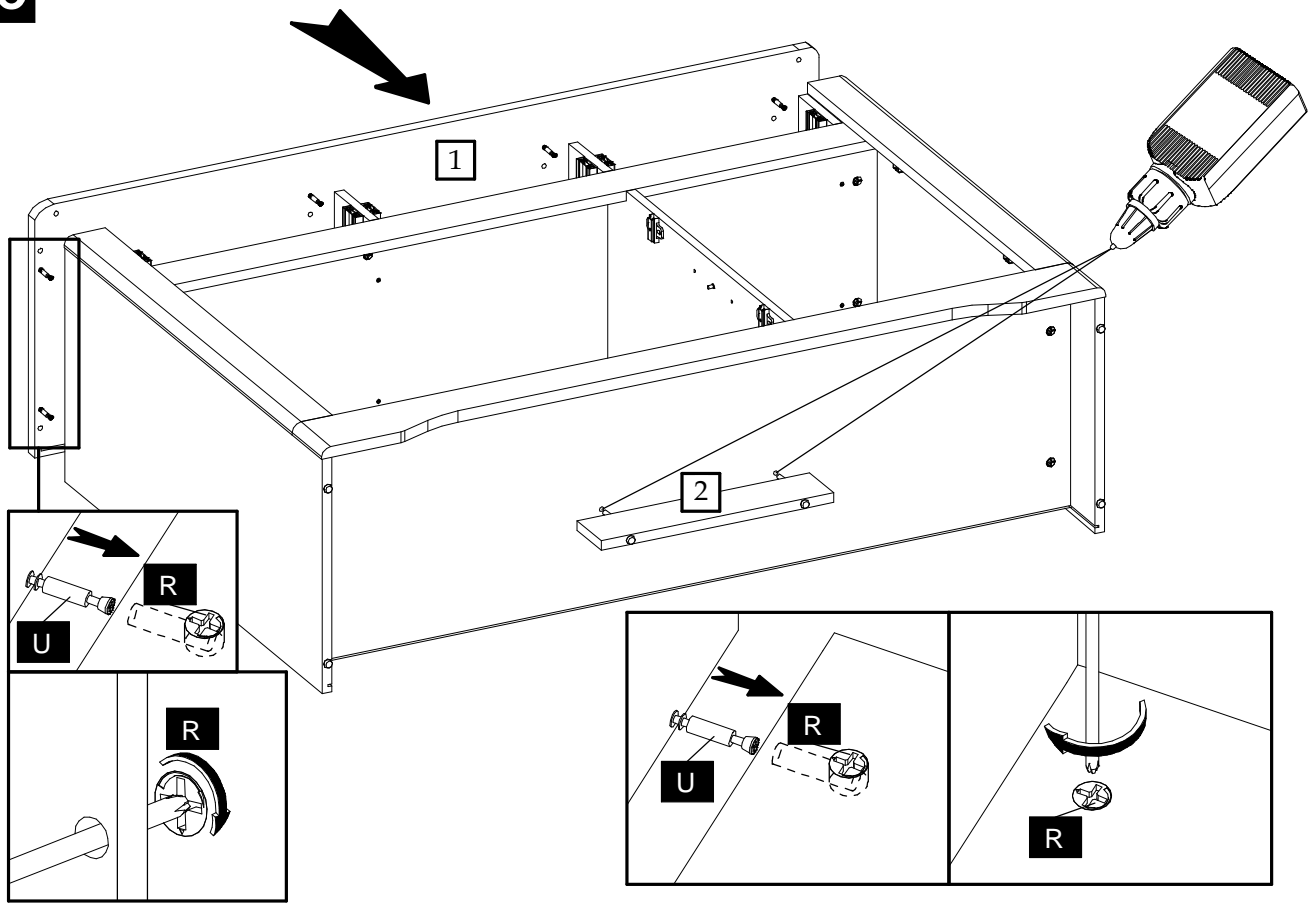
8



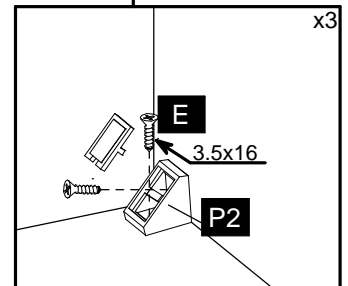
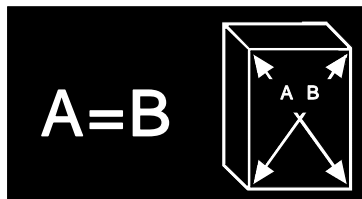
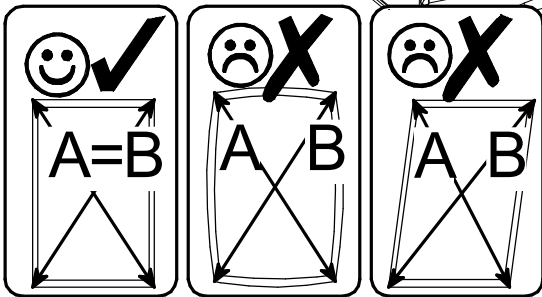
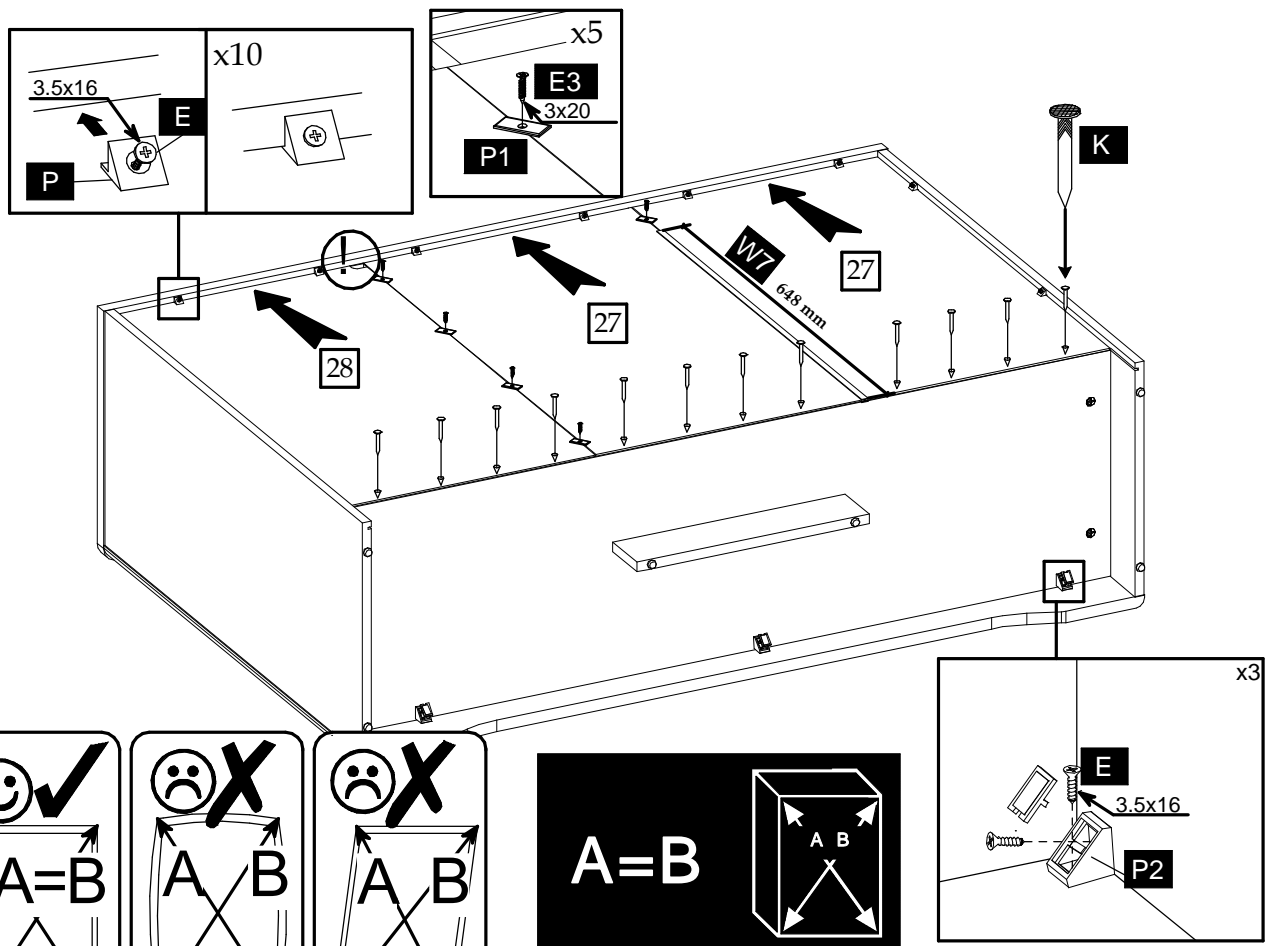
9



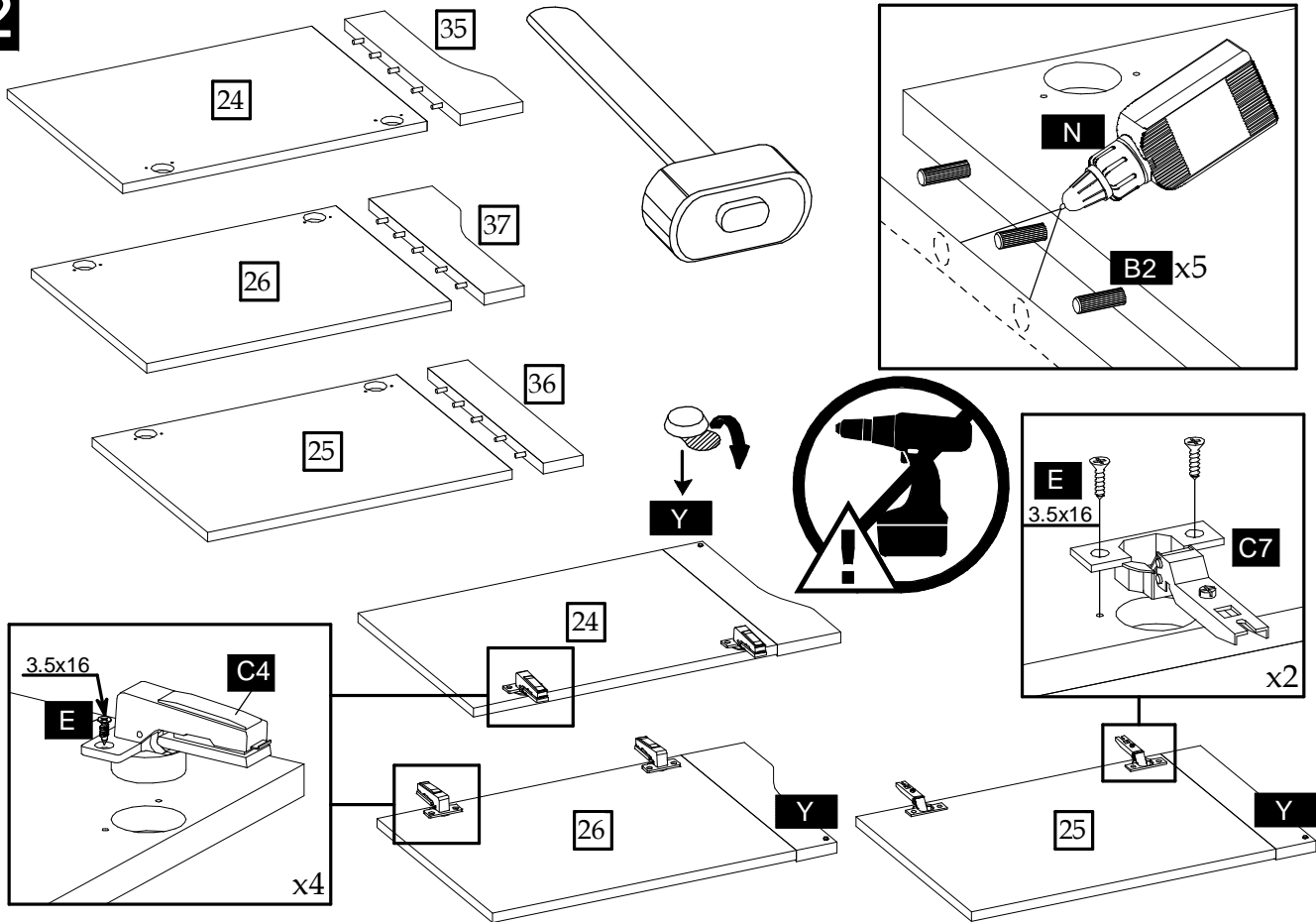
10



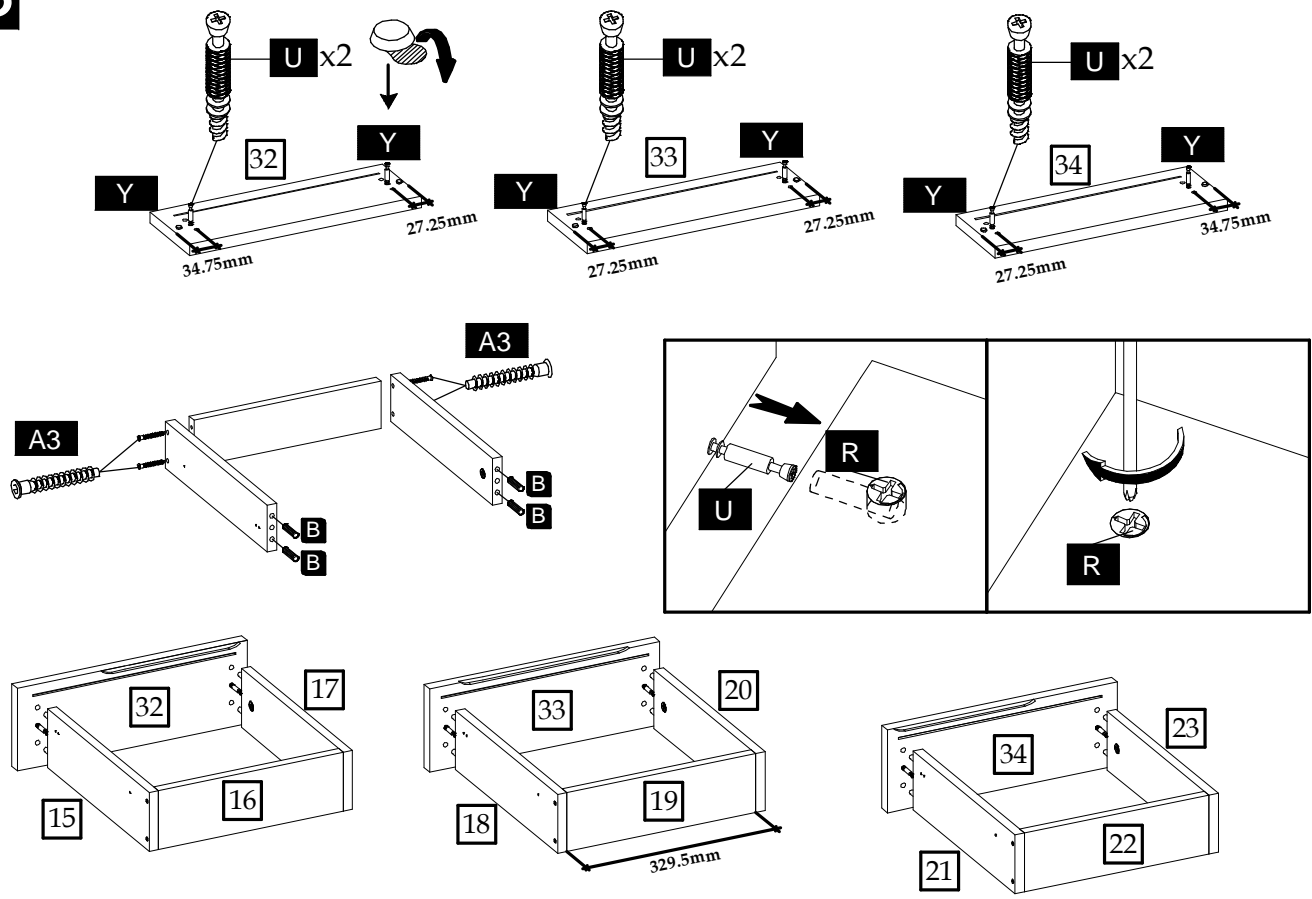
11

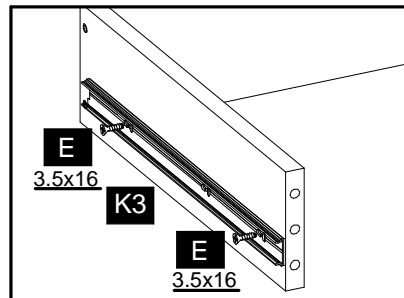
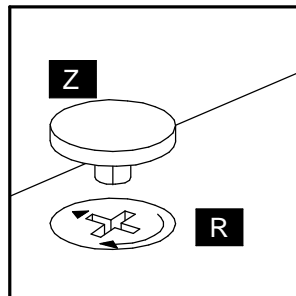
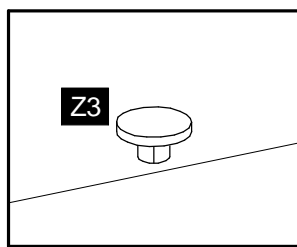
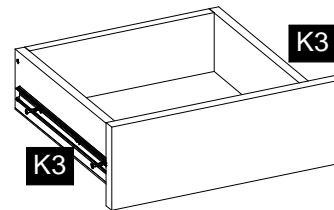
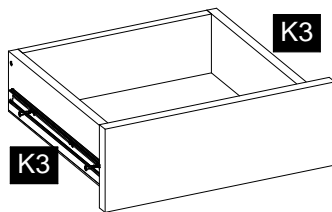
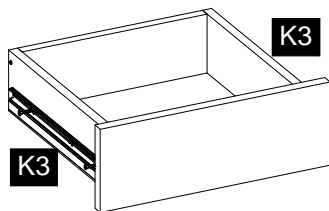
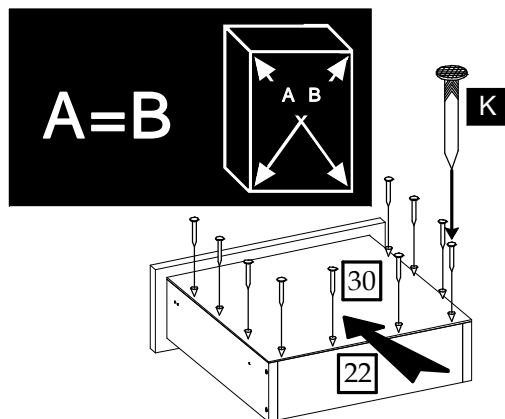
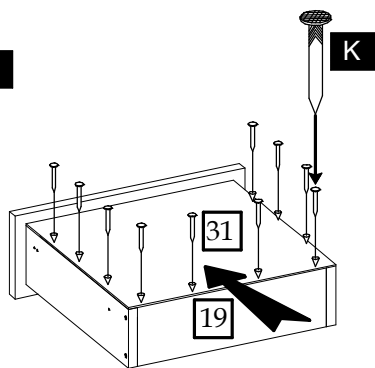
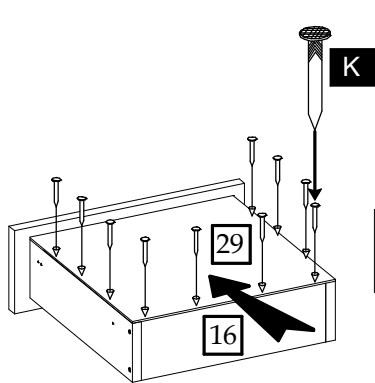


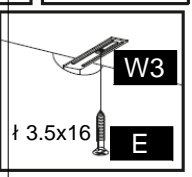
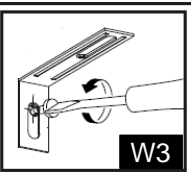
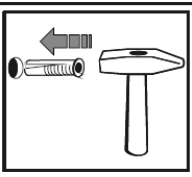
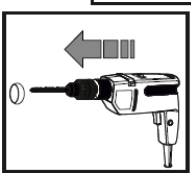
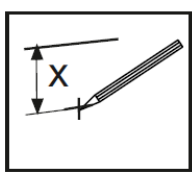
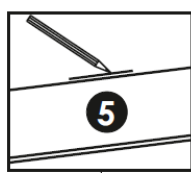
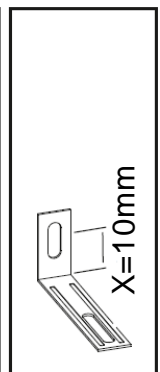
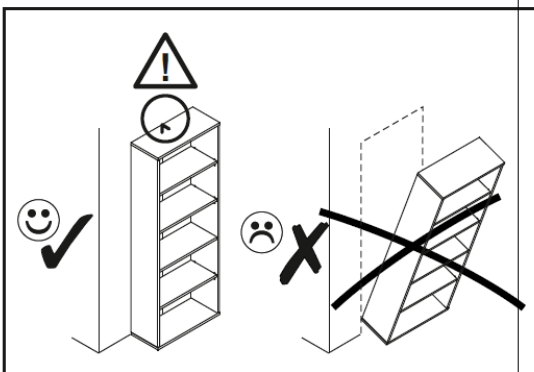
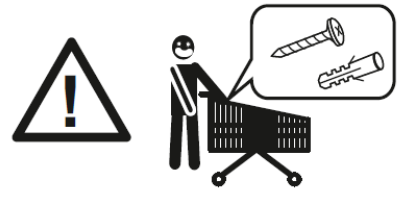
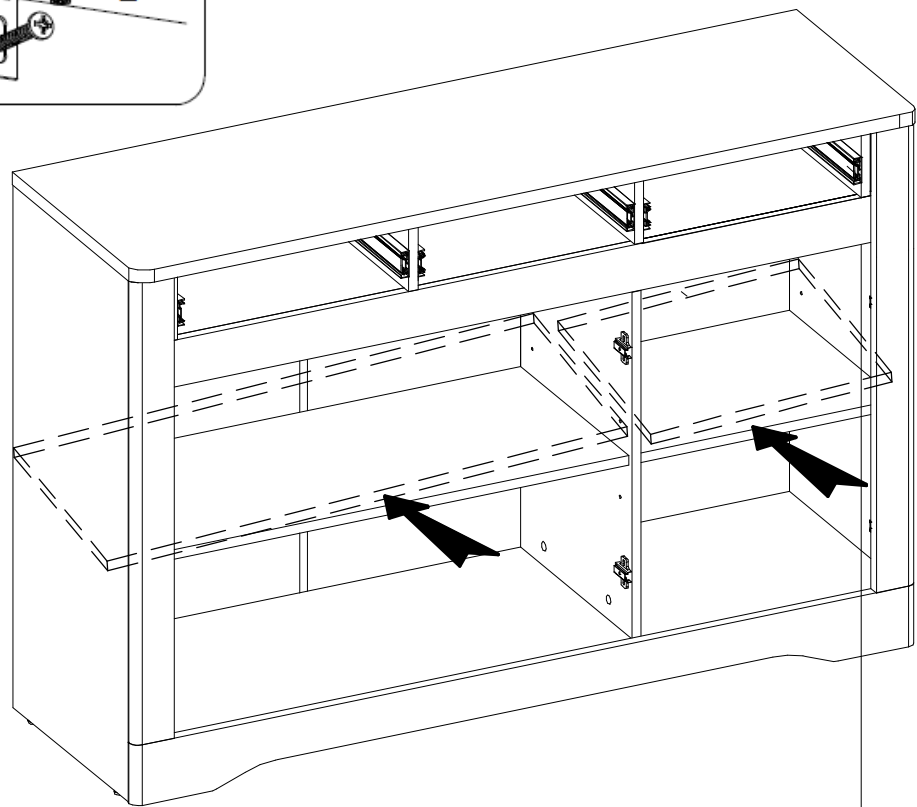
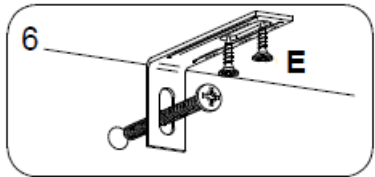
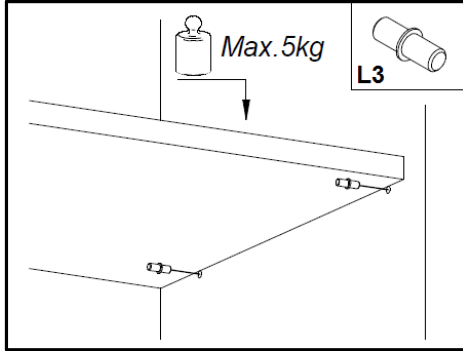
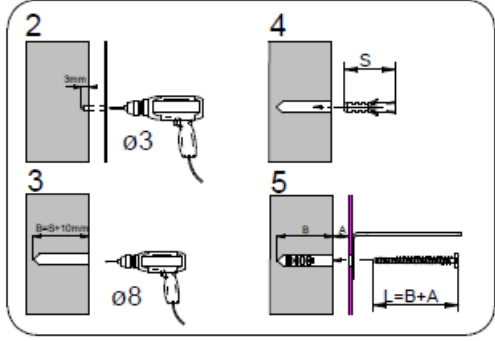
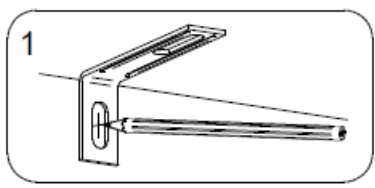
12



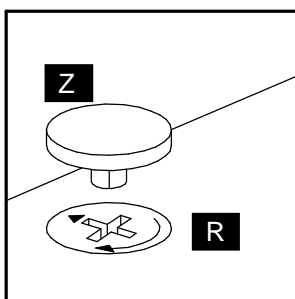
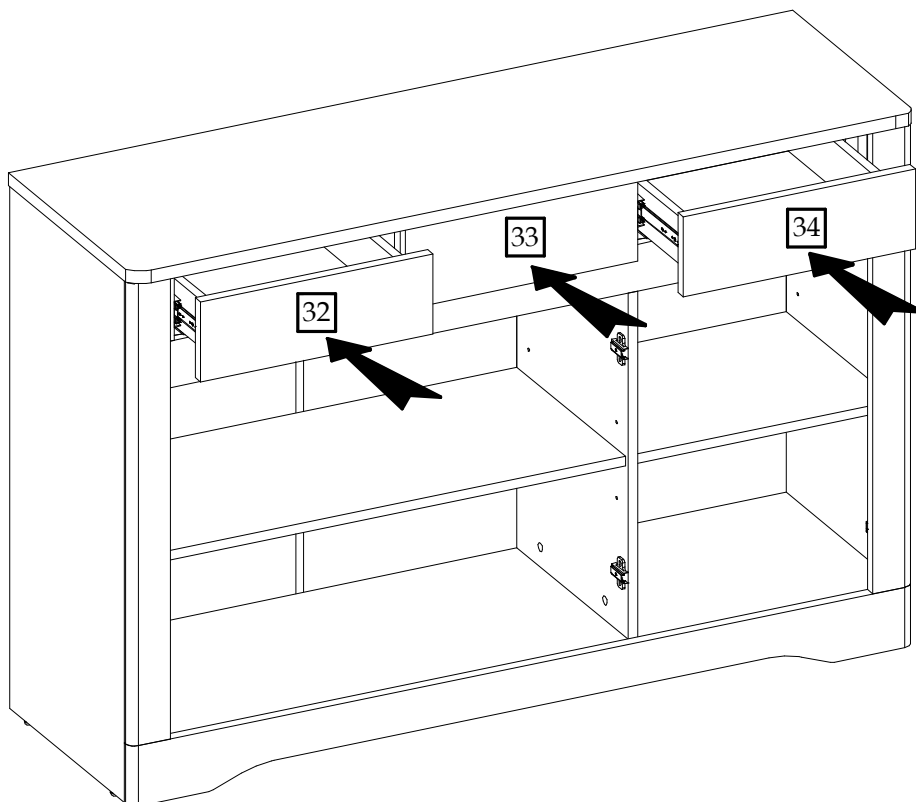
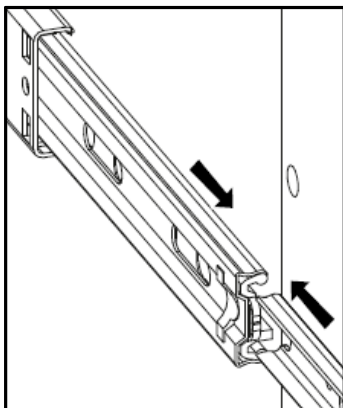
13







16



17

