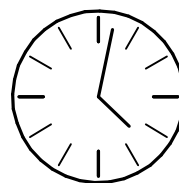


HILL

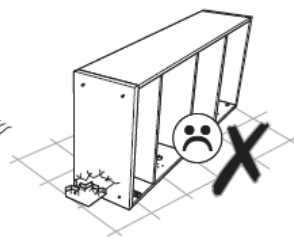
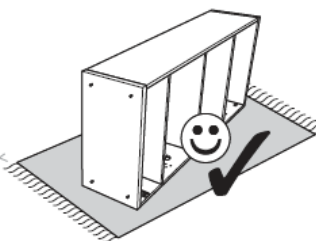
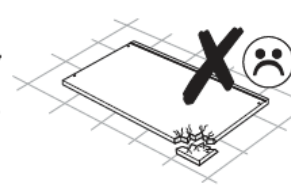
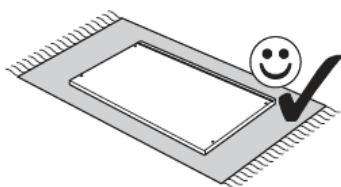
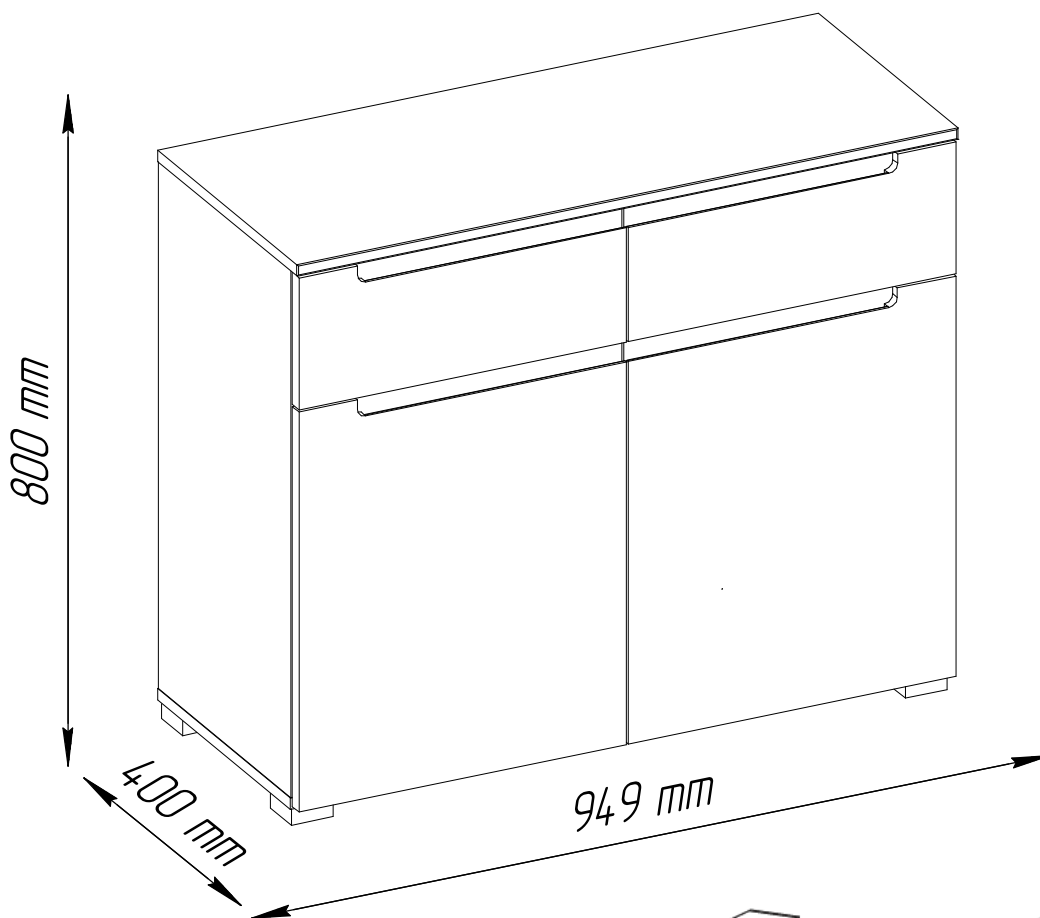
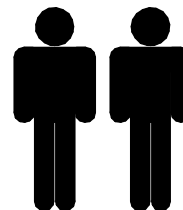
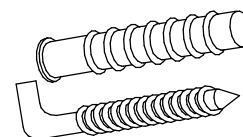
Typ K03

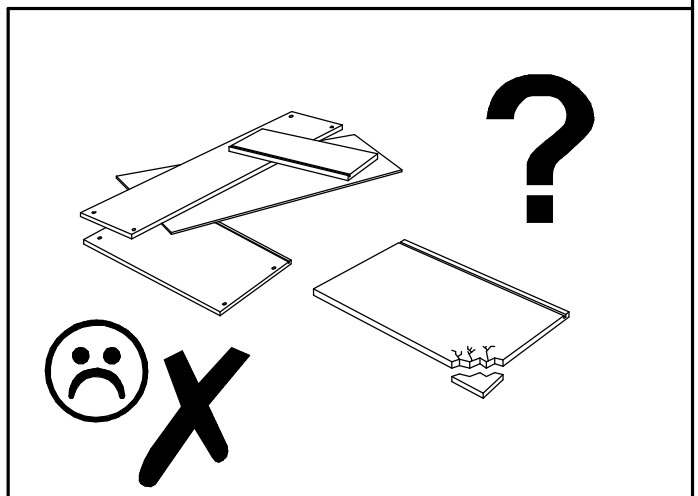
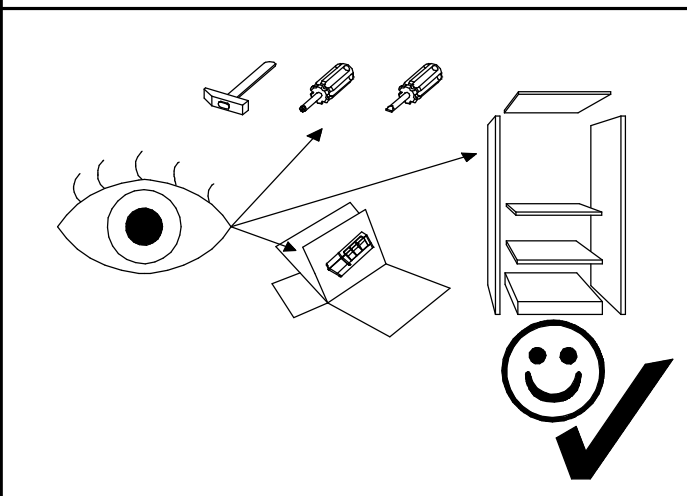
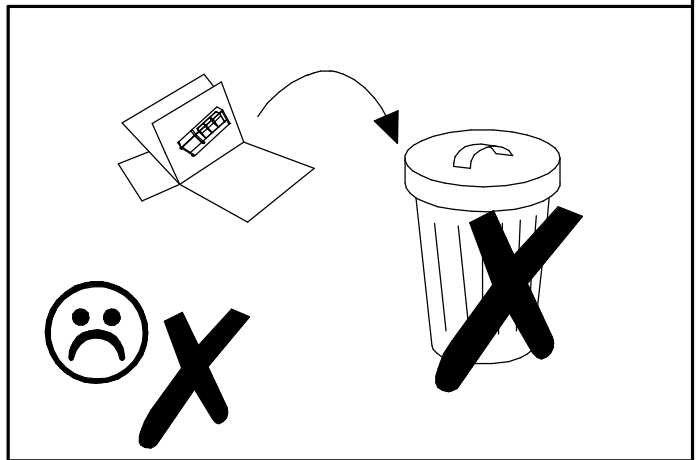
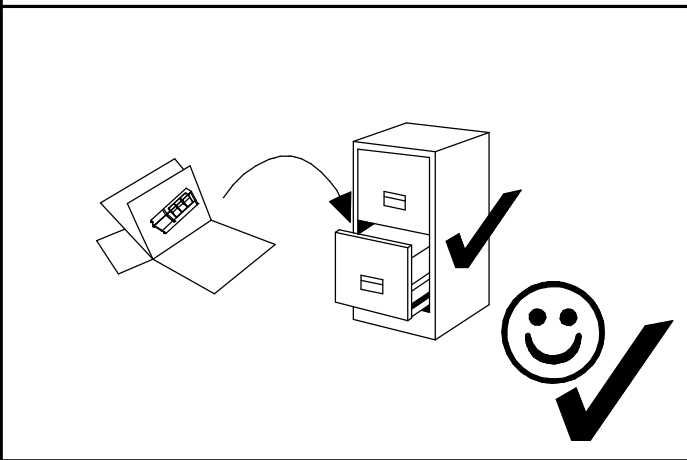
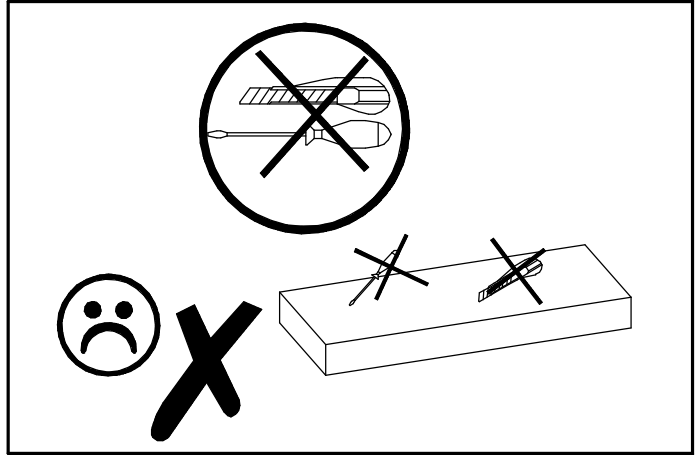
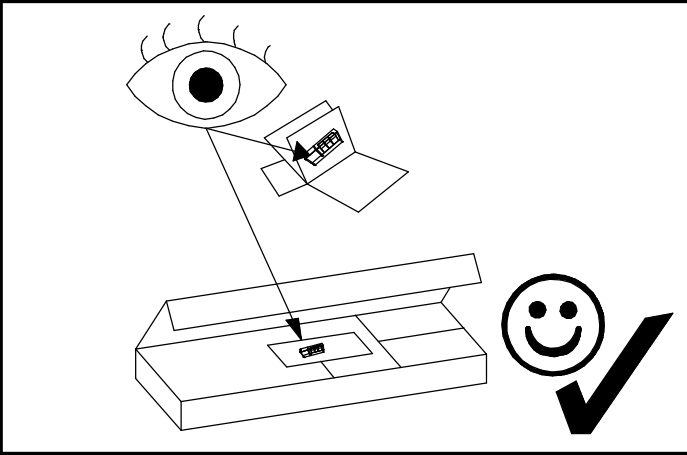
INDEKS 3315914

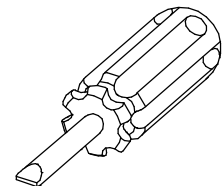
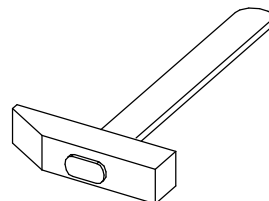
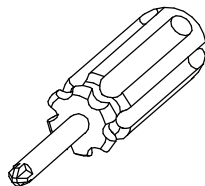
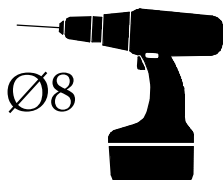
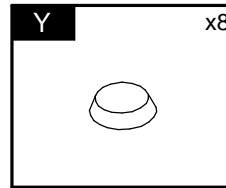
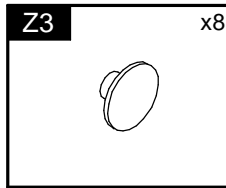
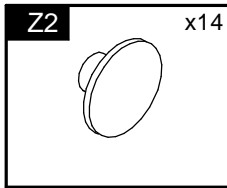
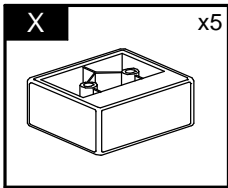
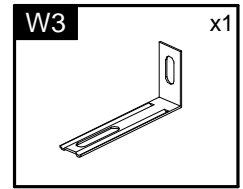
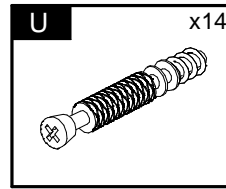
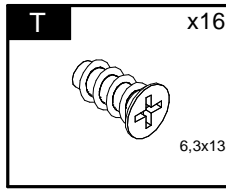
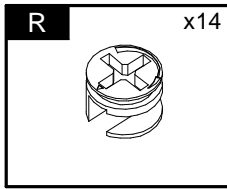
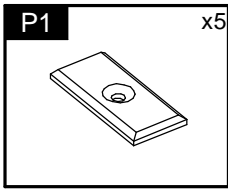
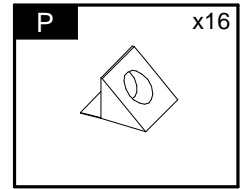
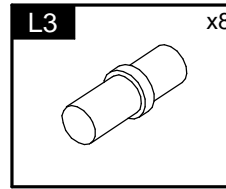
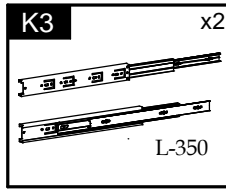
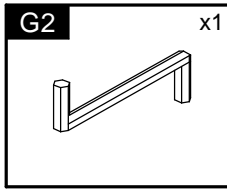
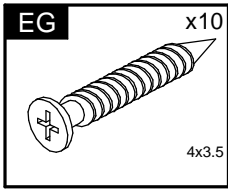
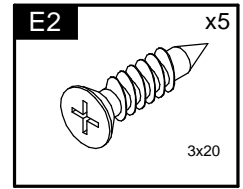
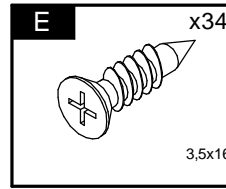
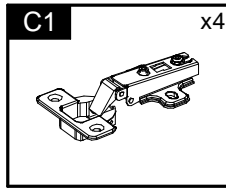
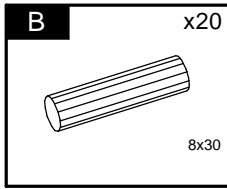
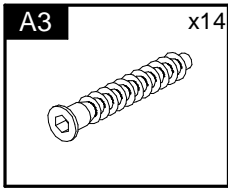
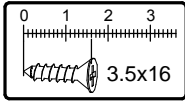
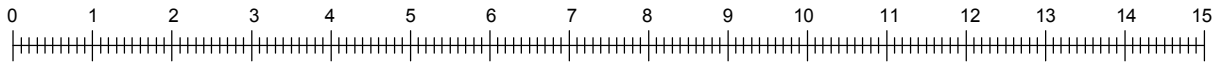
PL 36UO KOMODA HILL 03 2D2S
SK 36UO KOMODA HILL 03 2D2S
CZ komoda HILL 03 2D2S
HU Komyd HILL 03 2D2S

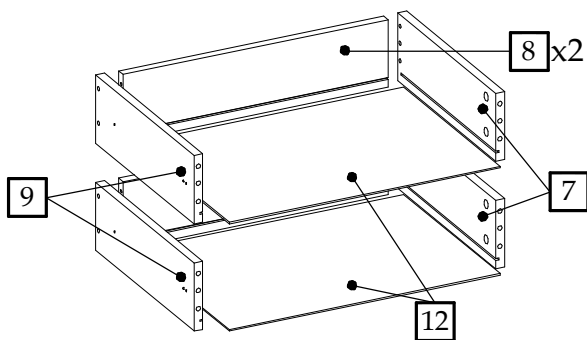
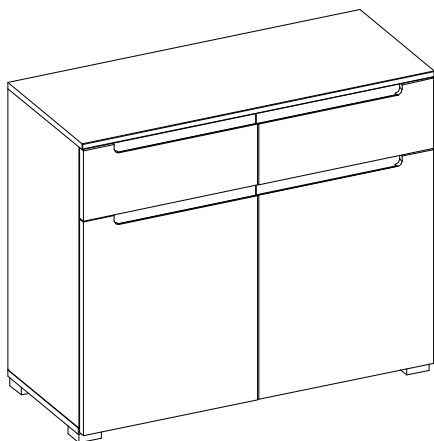


100 min

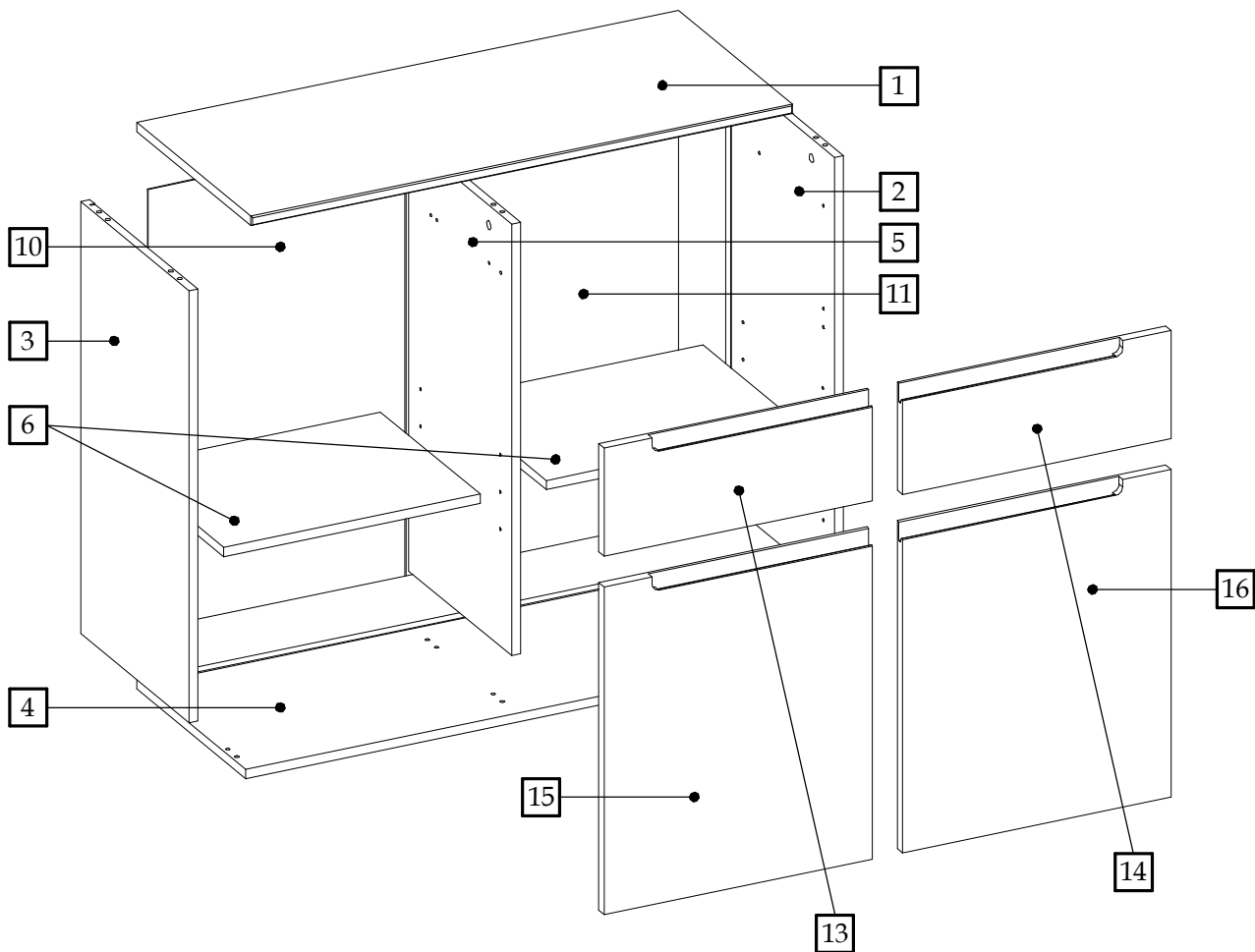






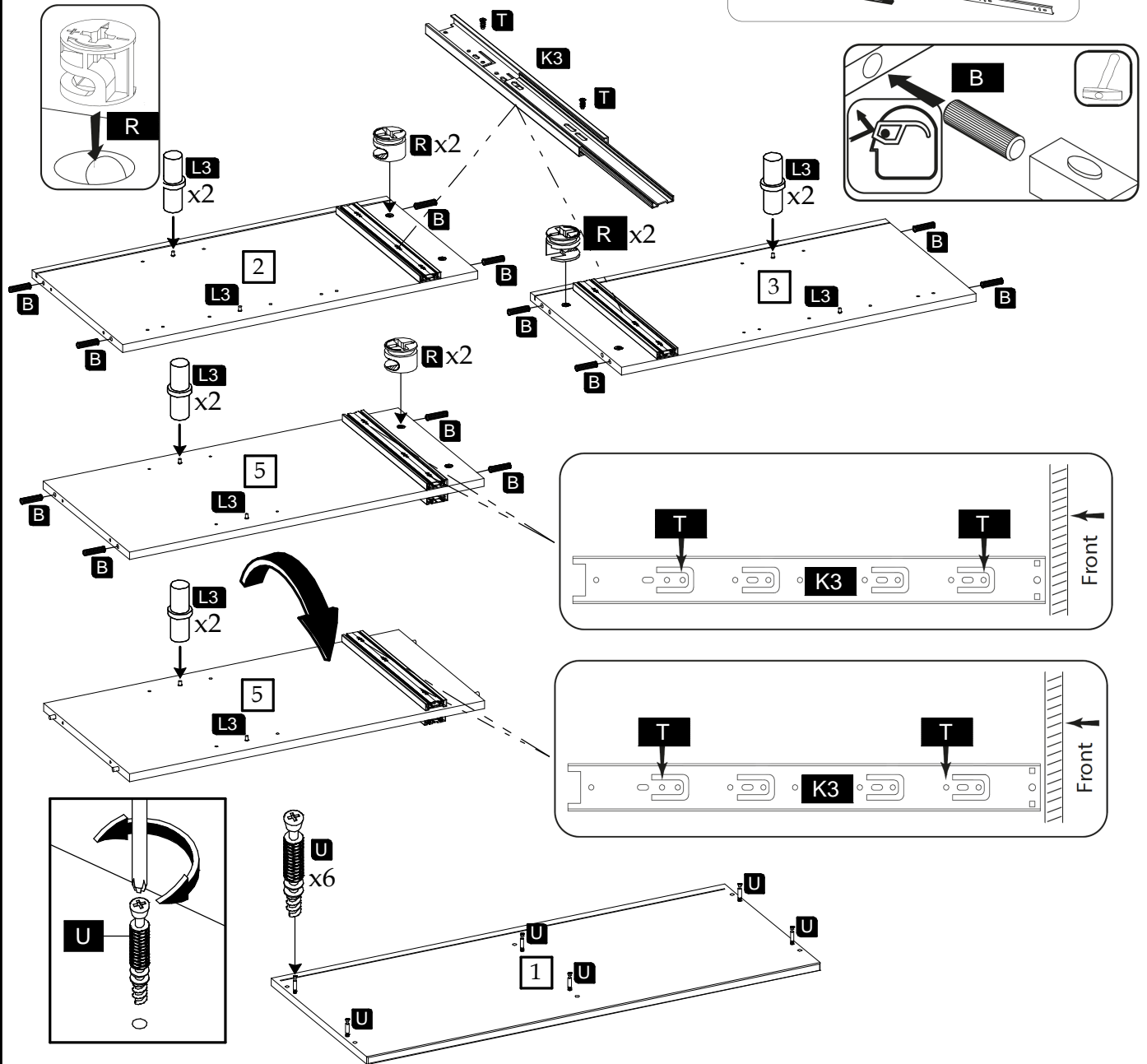
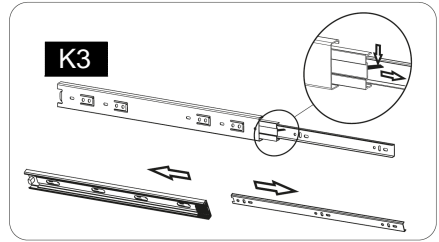
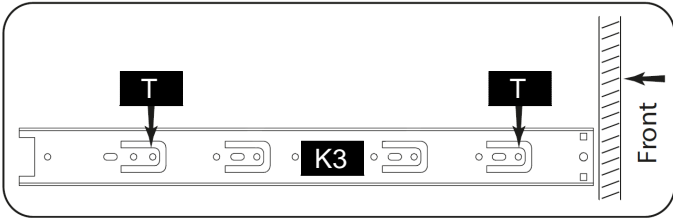


| Element Symbol Szimbólum | Rozmiar Rozmer Dimenzij Measurements | | | | Code Kod Kyd | Paket |
|--------------------------------|---|-----|----|---|--------------------|-------|
| 1 | 949 | 400 | 16 | 1 | 1004 | 1/2 |
| 2 | 743 | 379 | 16 | 1 | 1001 | 1/2 |
| 3 | 743 | 379 | 16 | 1 | 1002 | 1/2 |
| 4 | 949 | 380 | 16 | 1 | 1003/2003 | 1/2 |
| 5 | 743 | 359 | 16 | 1 | 1014/2014 | 1/2 |
| 6 | 449 | 349 | 16 | 2 | N/A | 1/2 |
| 7 | 350.5 | 120 | 16 | 2 | 1009/2009 | 1/2 |
| 8 | 392 | 119 | 16 | 2 | 1010 | 1/2 |
| 9 | 350.5 | 120 | 16 | 2 | 1011/2011 | 1/2 |
| 10 | 757 | 464 | 3 | 1 | N/A | 1/2 |
| 11 | 757 | 464 | 3 | 1 | 1040_v | 1/2 |
| 12 | 401 | 343 | 3 | 2 | N/A | 1/2 |
| 13 | 472 | 188 | 19 | 1 | 1004/3001 | 2/2 |
| 14 | 472 | 188 | 19 | 1 | 1005/3002 | 2/2 |
| 15 | 566 | 472 | 19 | 1 | 1006/3003 | 2/2 |
| 16 | 566 | 472 | 19 | 1 | 1007/3004 | 2/2 |

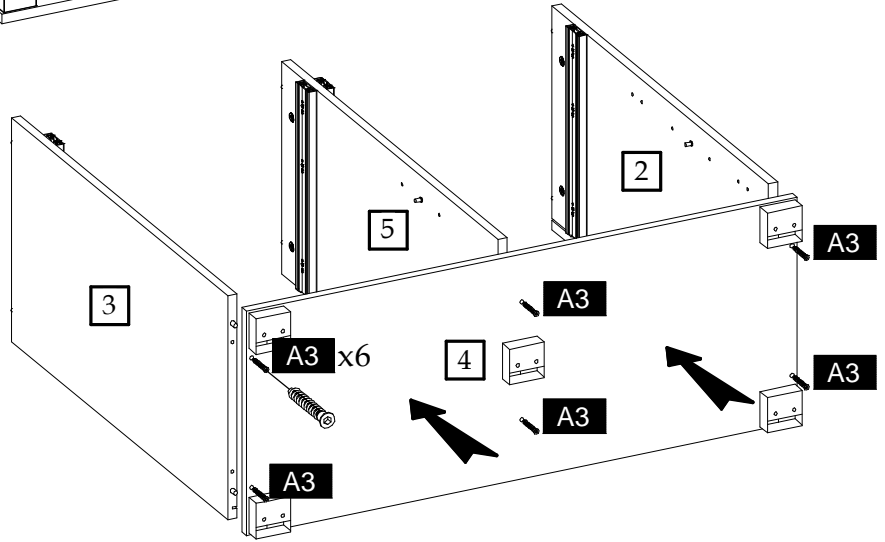
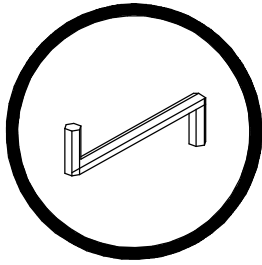
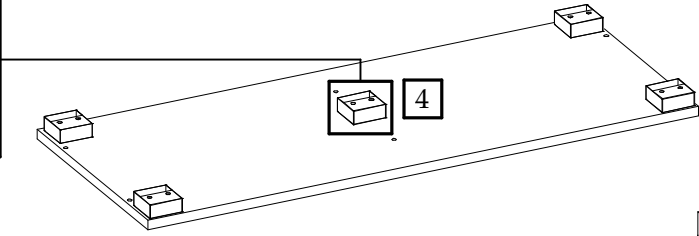
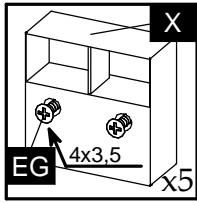




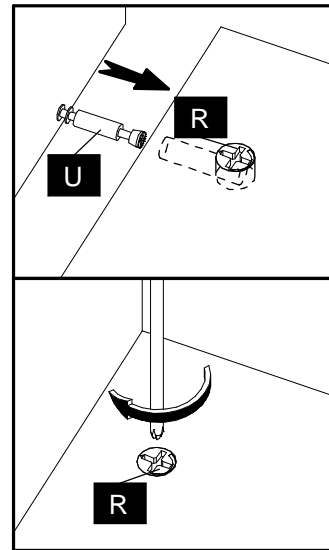
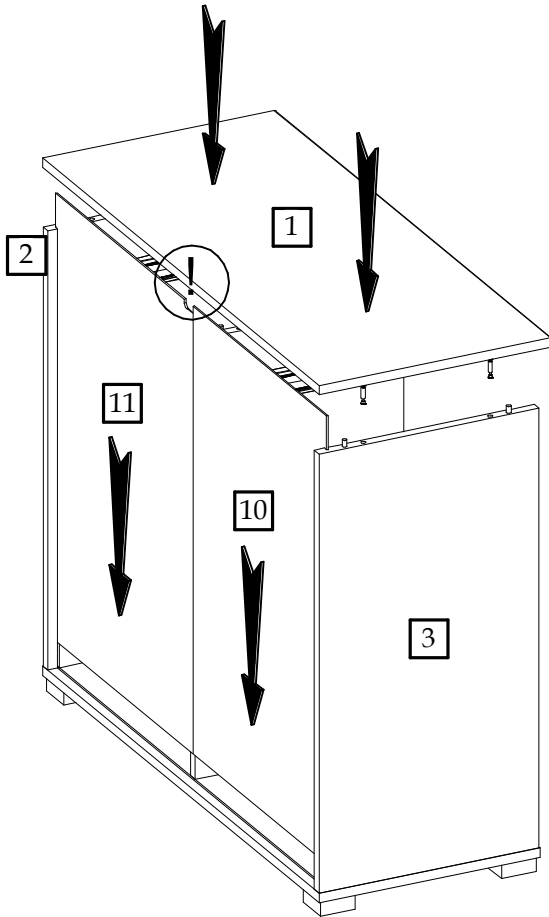
1



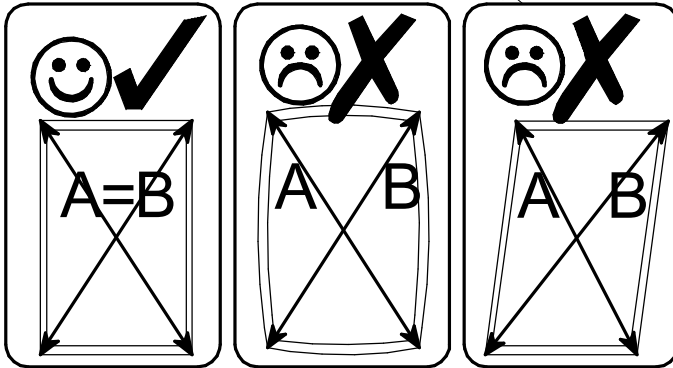
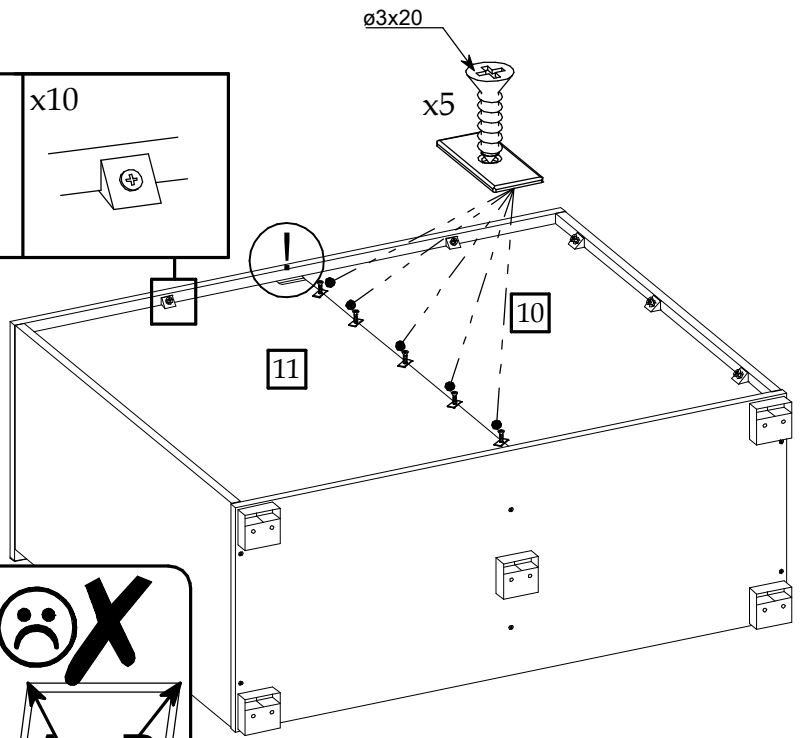
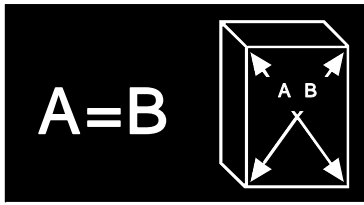
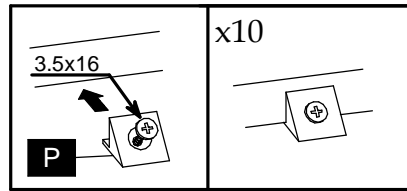
2



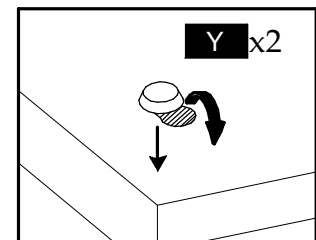
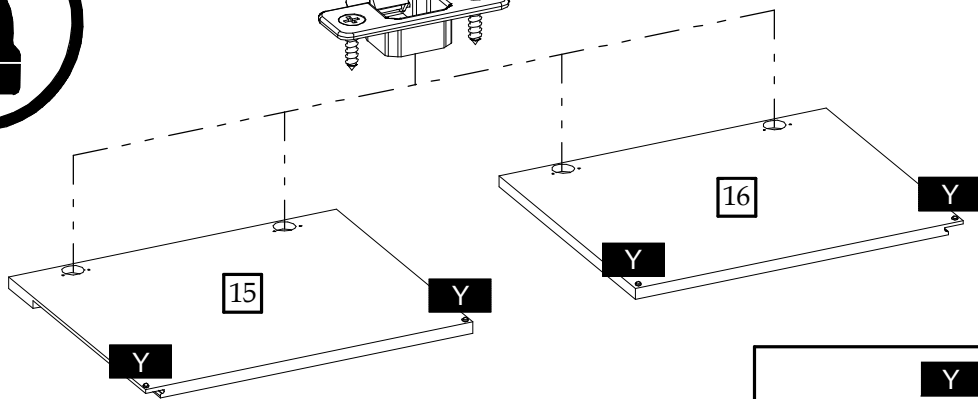
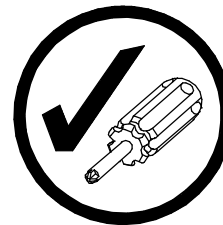
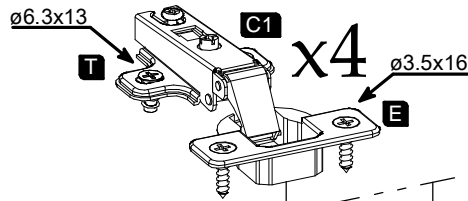
3

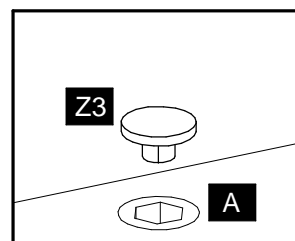
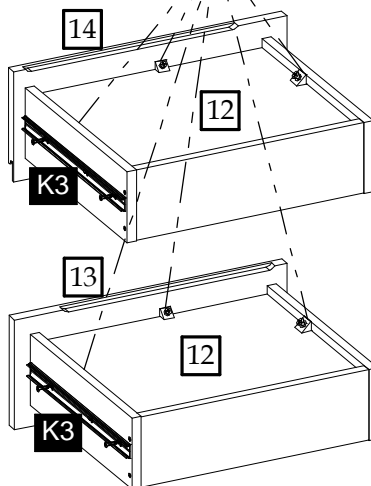
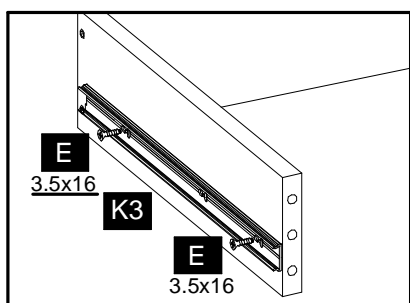
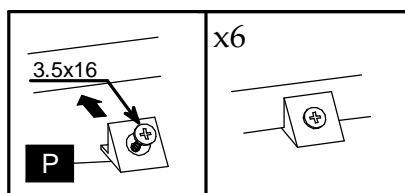
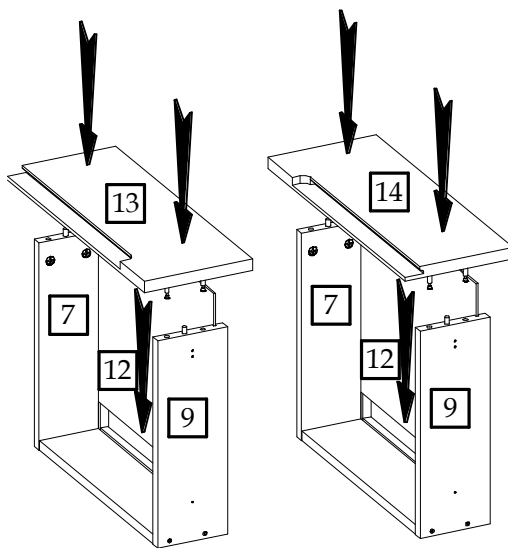
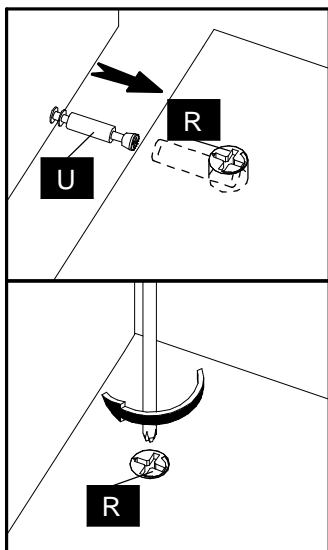
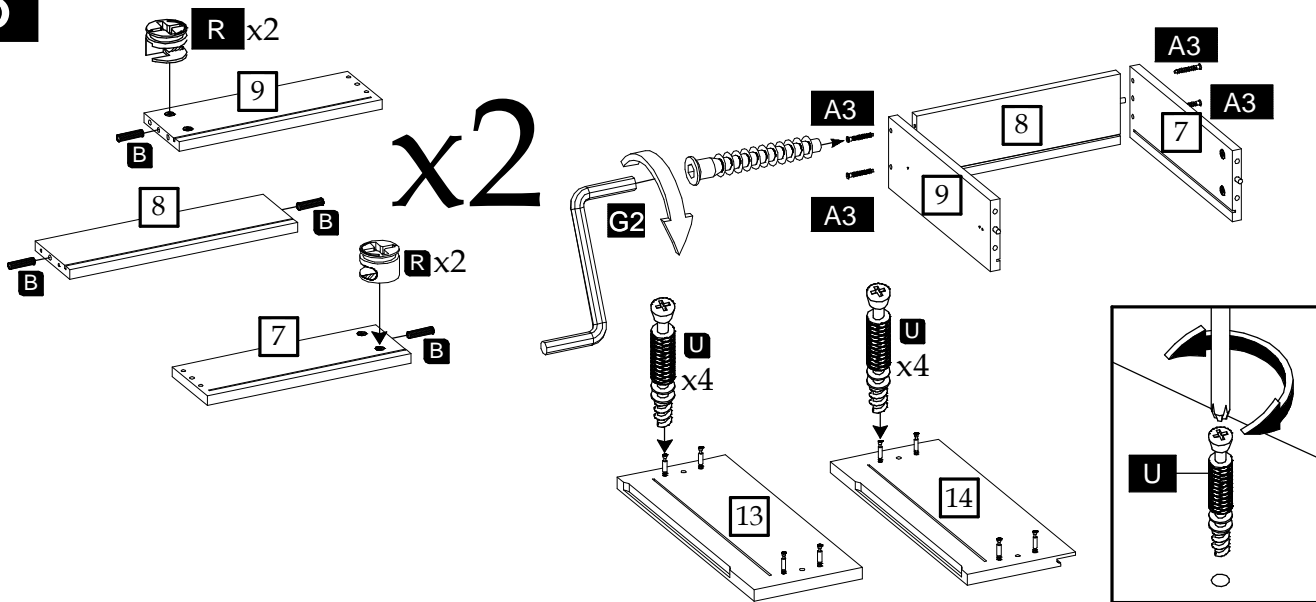


4

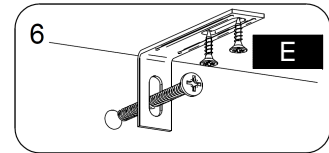
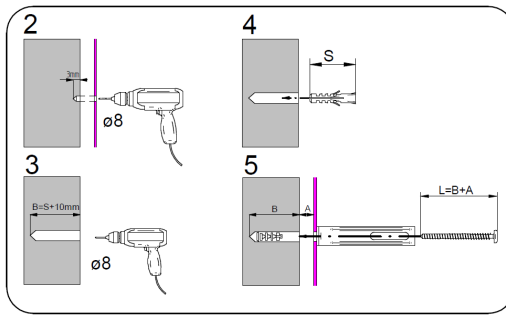
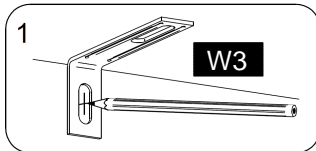
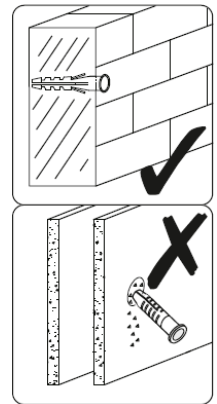
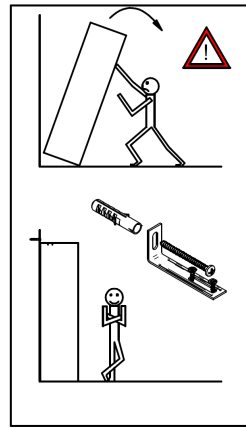
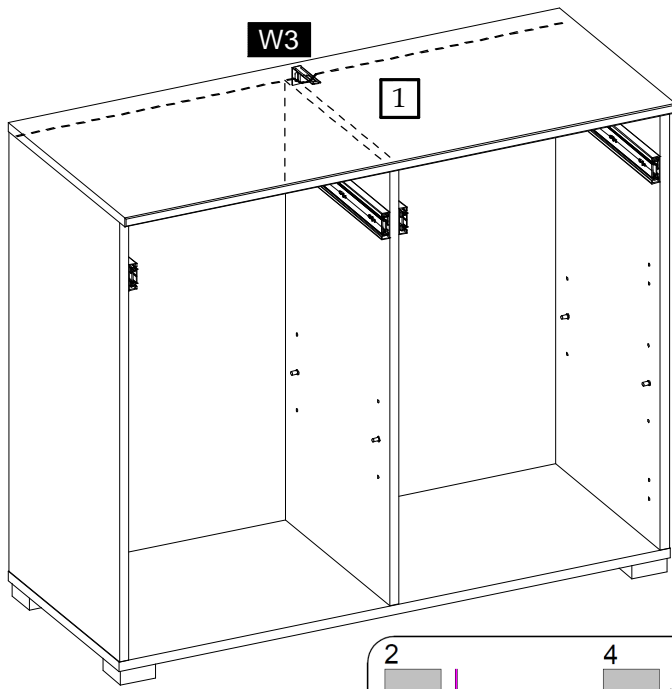


5

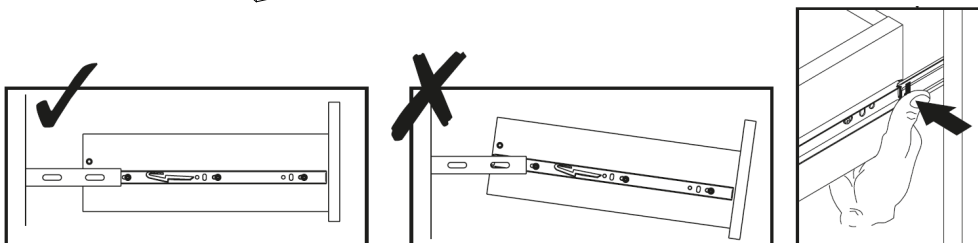
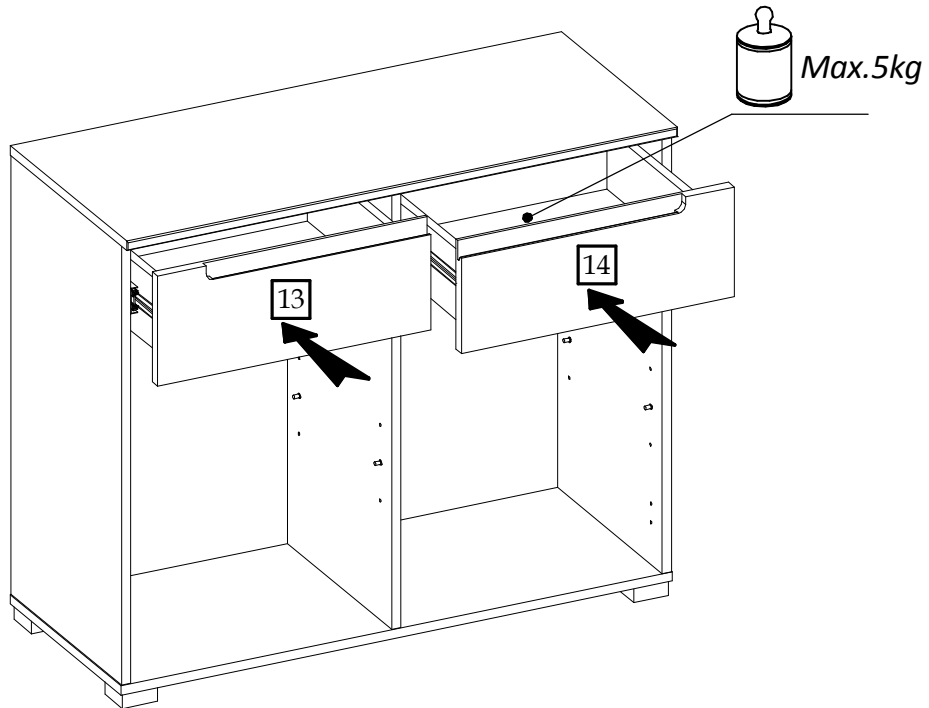




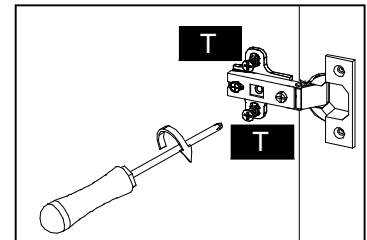
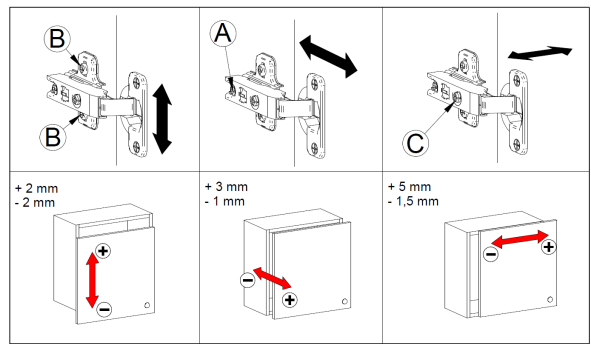
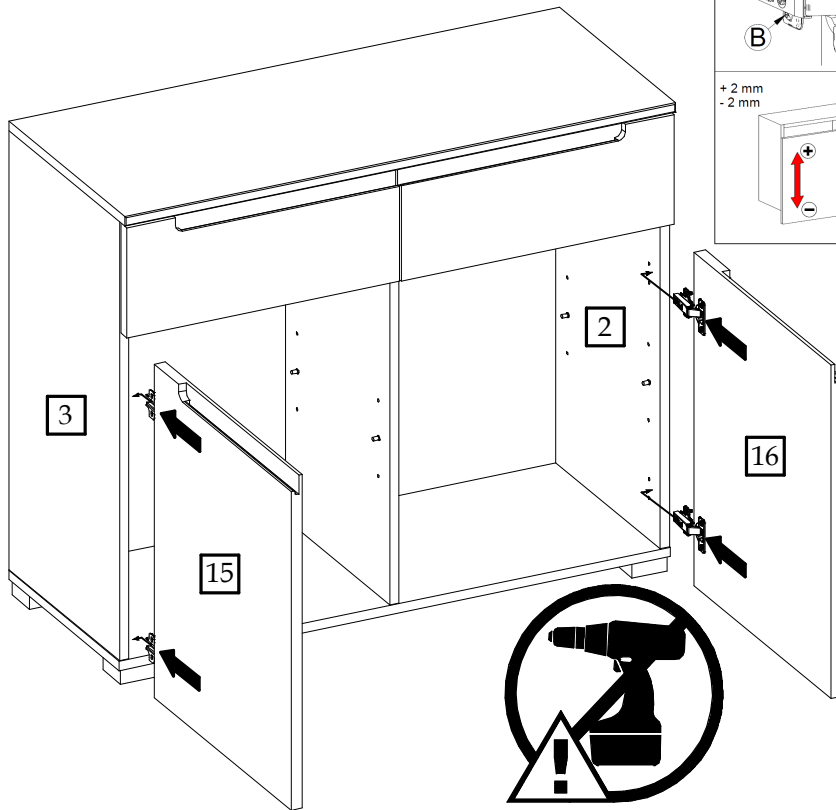
7



8



9



10

