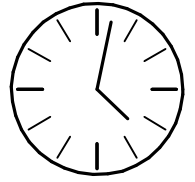
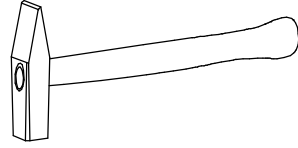
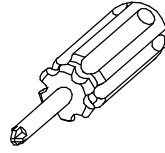
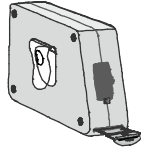
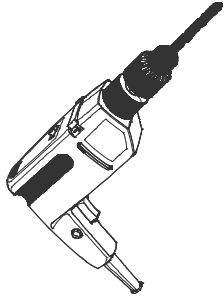
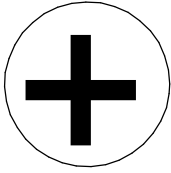
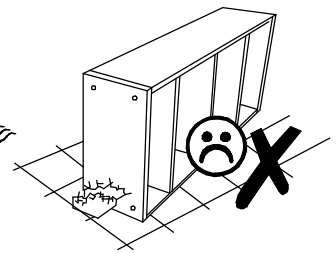
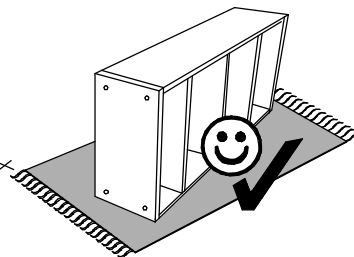
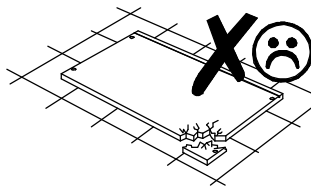
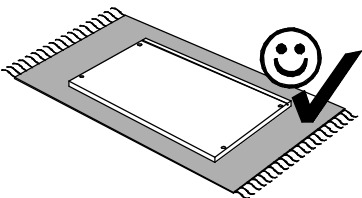
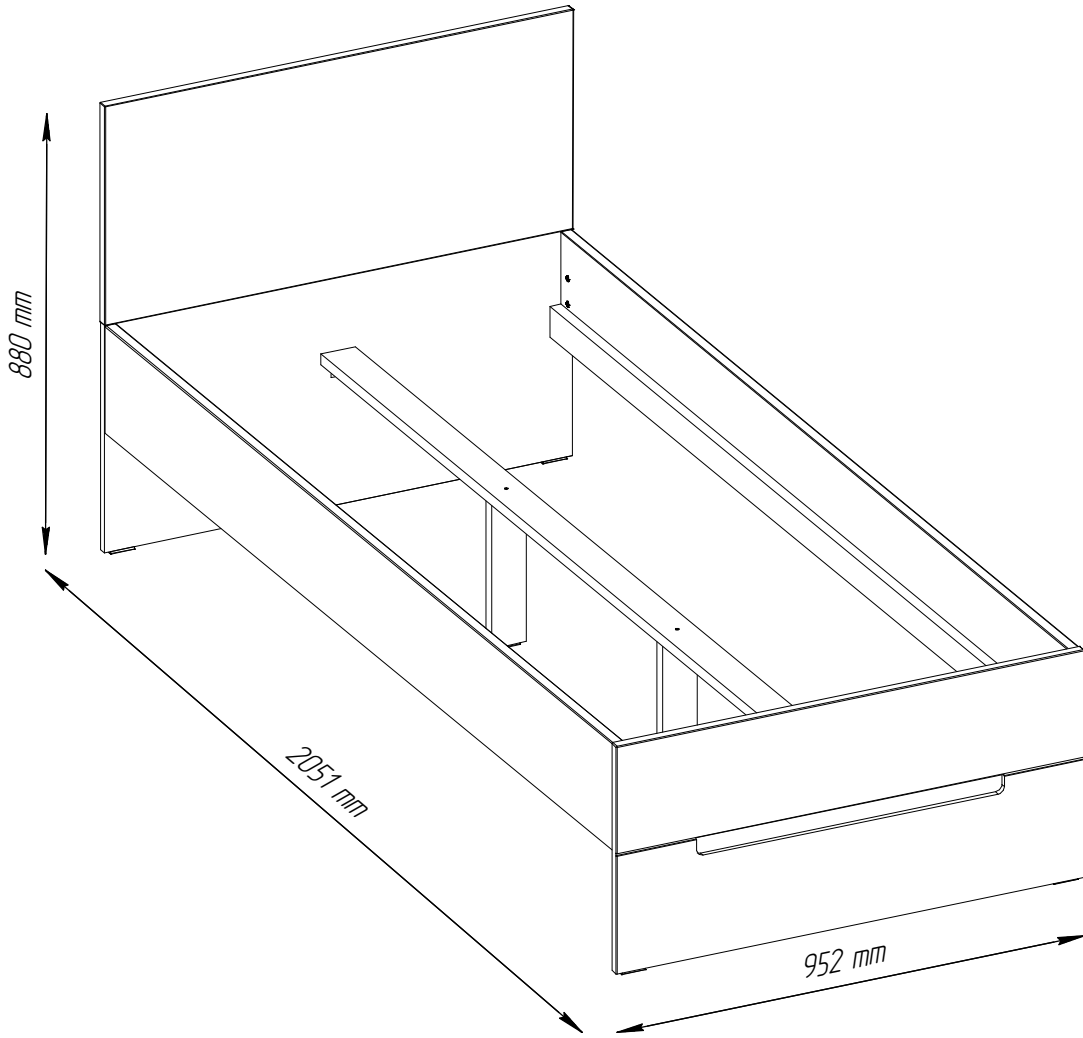
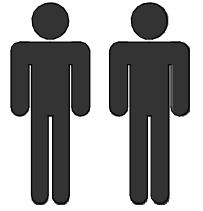
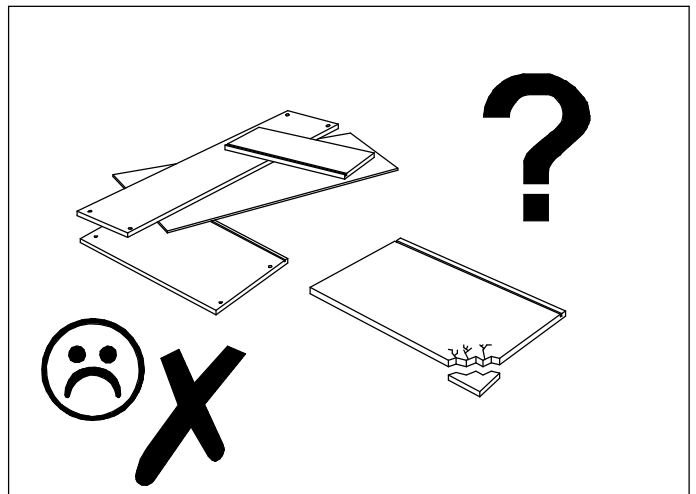
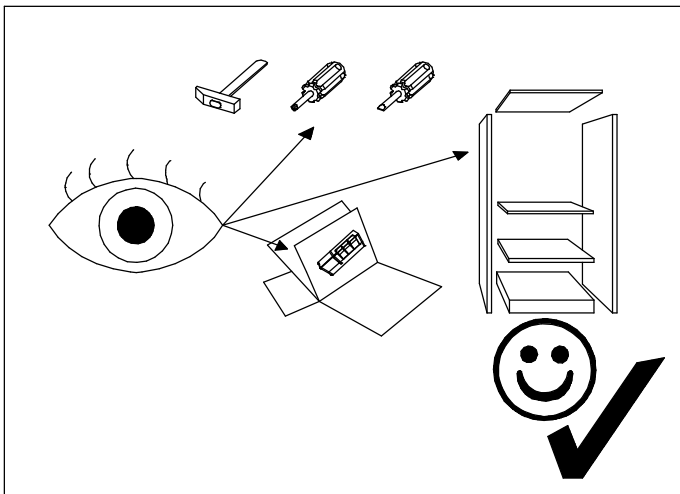
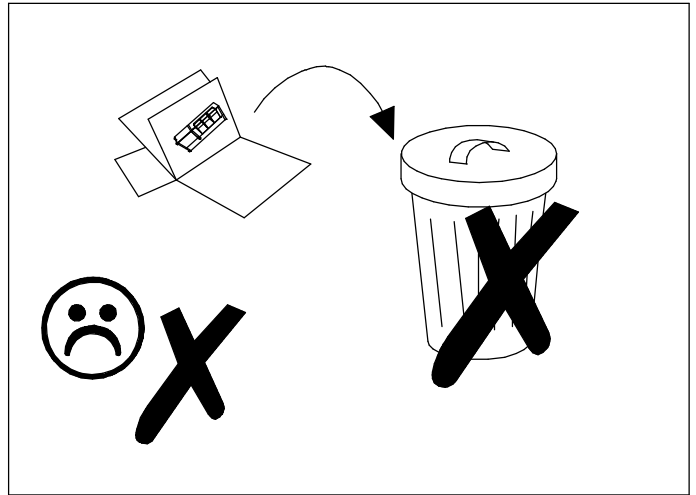
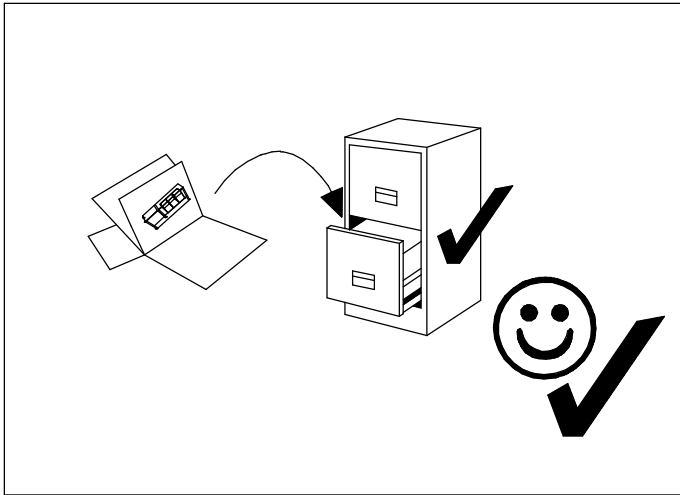
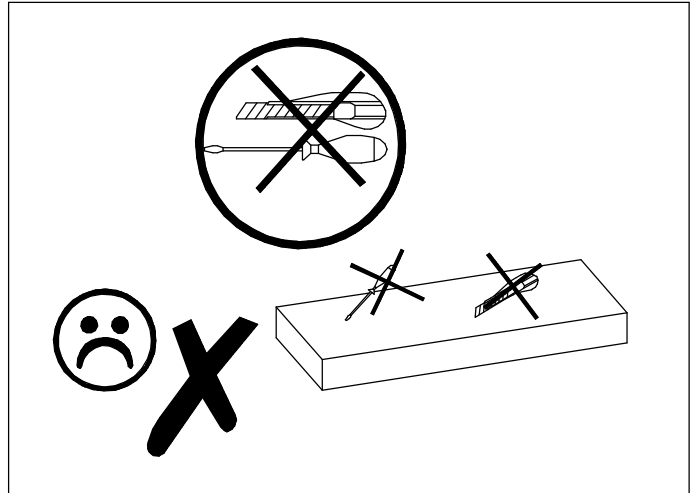
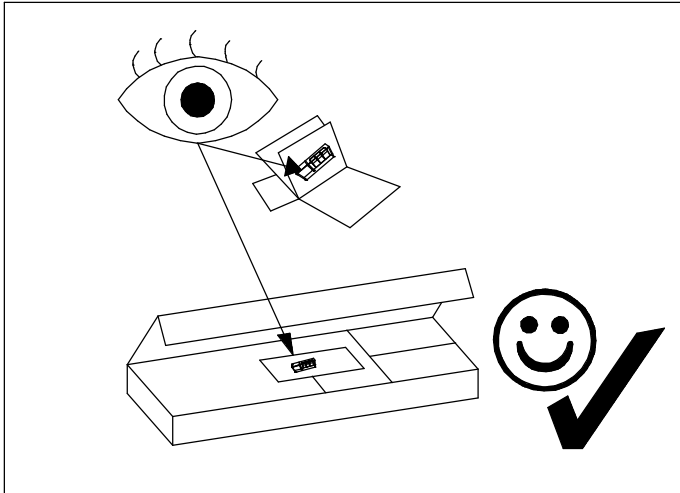


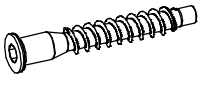


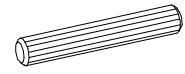
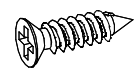
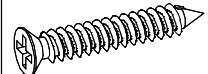

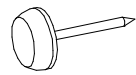




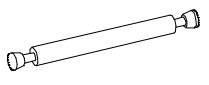
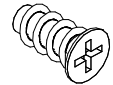
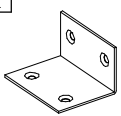
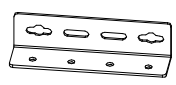

# HILL Z

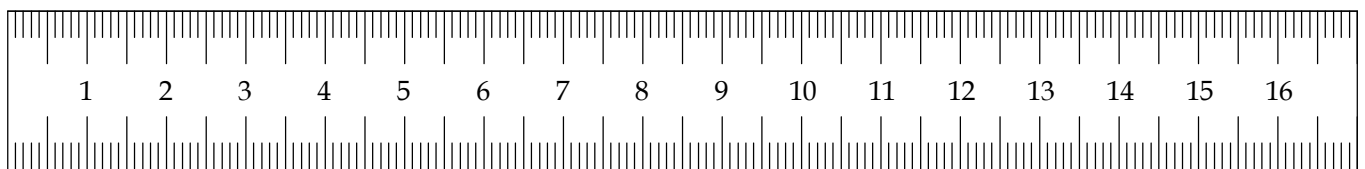
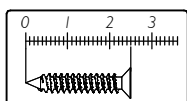
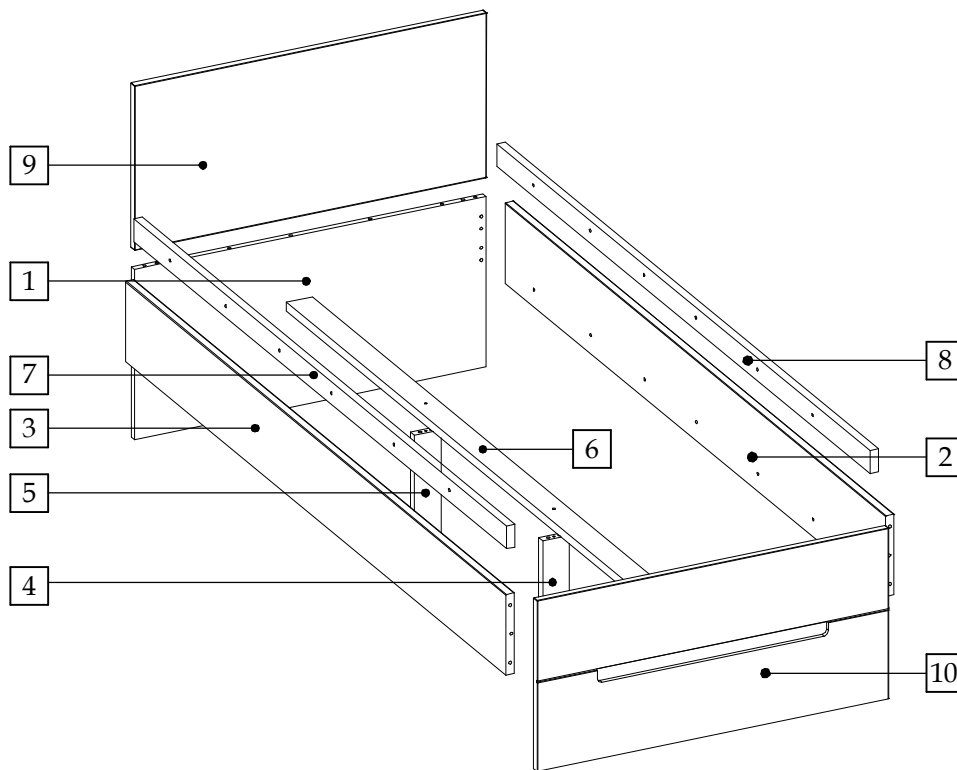


60 min



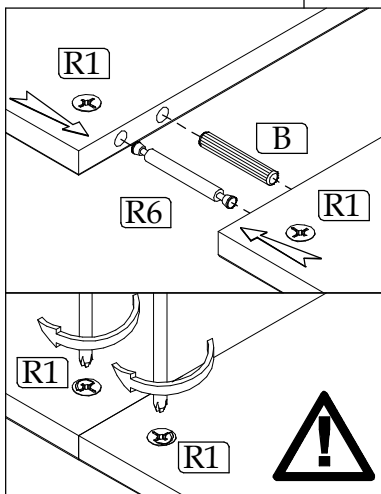
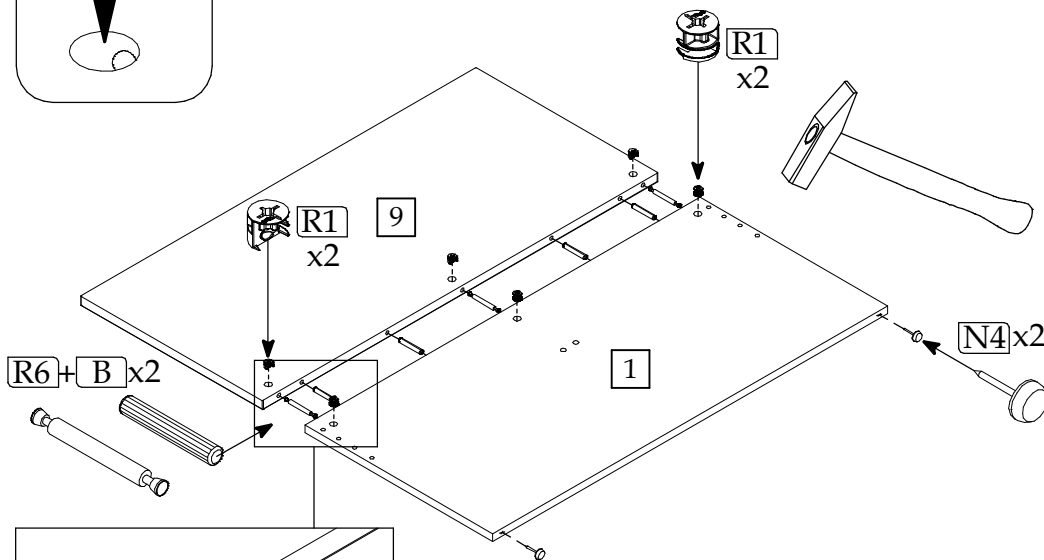
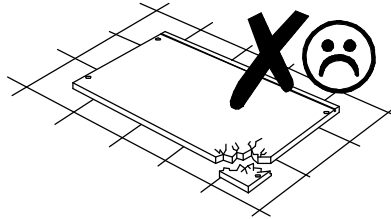
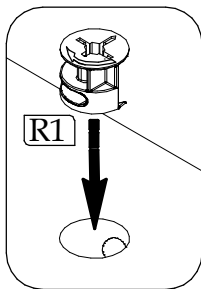
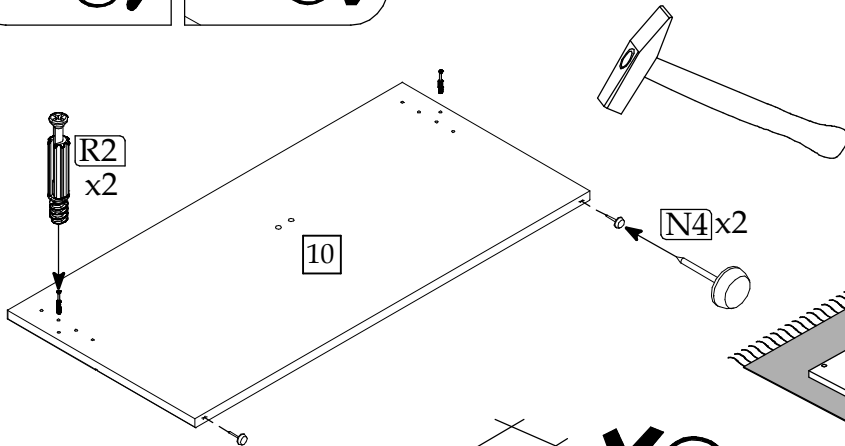
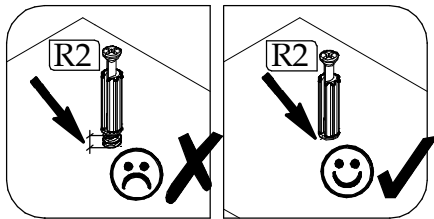


<b>A1</b> x8  6.4x50	<b>A3</b> x1  4mm	<b>B</b> x10  8x30	<b>B2</b> x4  8x50	<b>E</b> x8  3.5x16	<b>E5</b> x12  4x35
<b>E9</b> x4  M6x50	<b>N4</b> x6 	<b>Q</b> x4  M6 10x13	<b>R1</b> x8 	<b>Element symbol</b>   <b>Measurements</b>   <b>Code</b>   <b>Paket</b>	
<b>R2</b> x2  L-68mm	<b>R3</b> x6 	<b>R6</b> x3  L-68mm	<b>T</b> x16  6.3x13	<b>1</b>   952   445   16   1   1003   2/2	
<b>Y1</b> x2 	<b>Y2</b> x2 	<b>Z3</b> x6 		<b>2</b>   2016   210   22   1   1004   1/2	
				<b>3</b>   2016   210   22   1   1013   1/2	
				<b>4</b>   280   70   22   1   1016   1/2	
				<b>5</b>   280   70   22   1   1017   1/2	
				<b>6</b>   2016   70   22   1   1011   1/2	
				<b>7</b>   1976   60   22   1   1010   1/2	
				<b>8</b>   1976   60   22   1   1012   1/2	
				<b>9</b>   954   432   22   1   1031/3001   2/2	
				<b>10</b>   954   447   16   1   1032/3002   2/2	

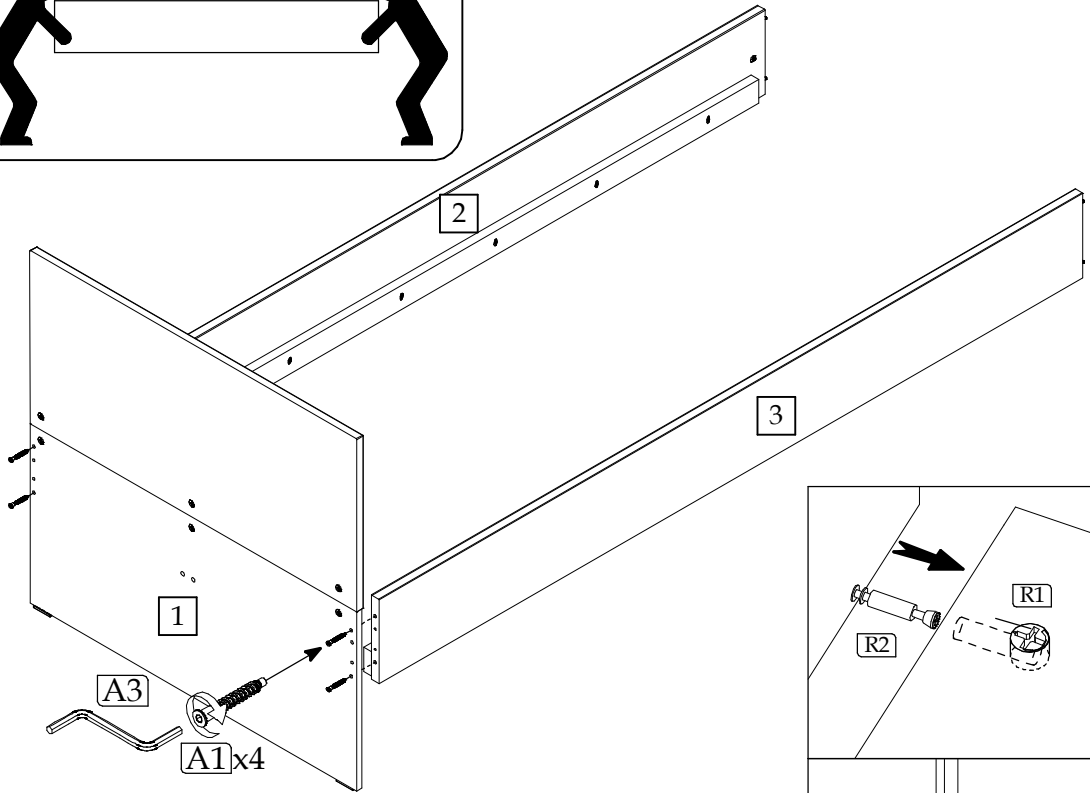
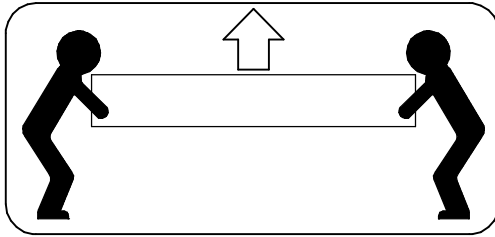




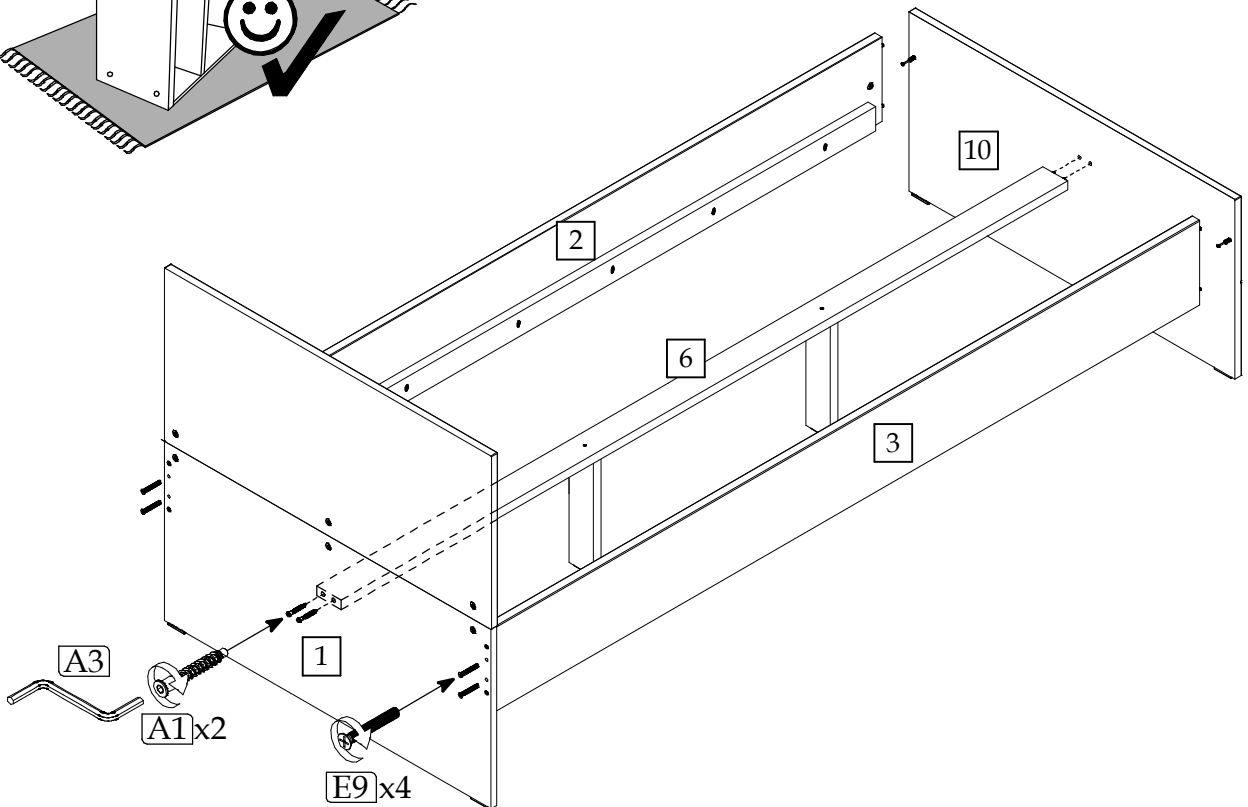
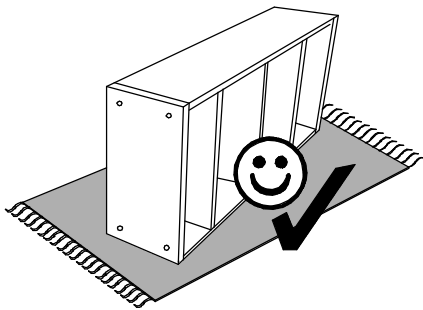
▶ 2



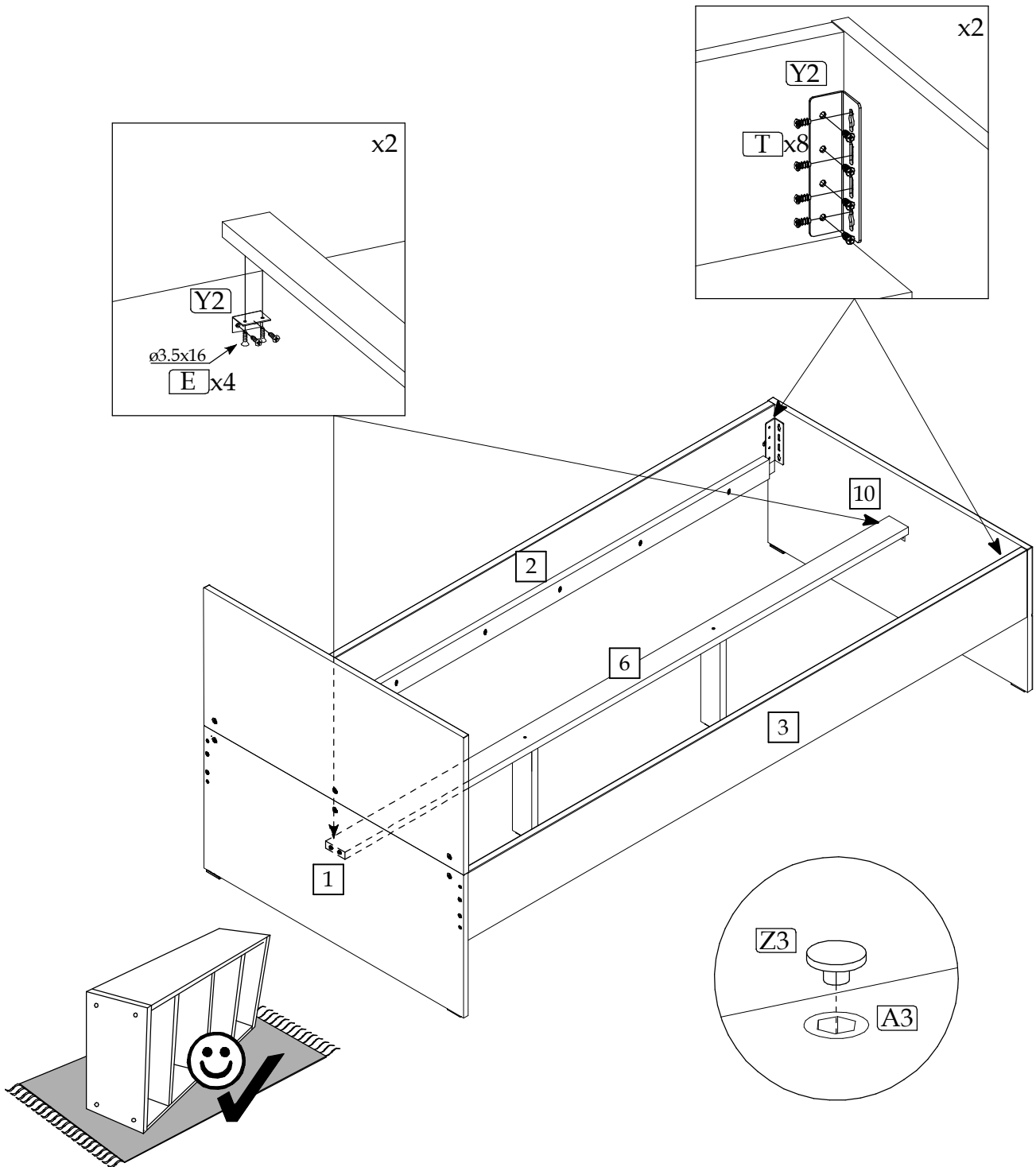
▶ 3



▶ 4



► 5



▶ 6

