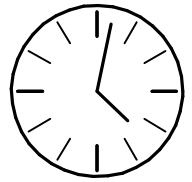
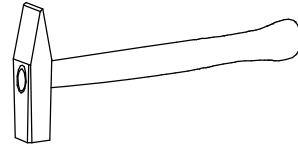
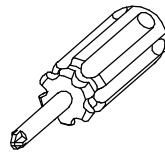
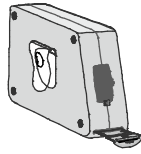
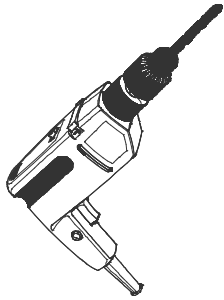
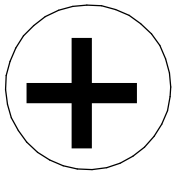
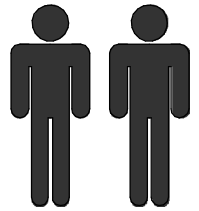


HILL Z2



60 min



INDEX 3371241



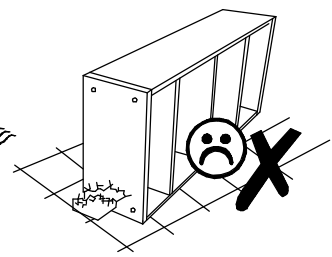
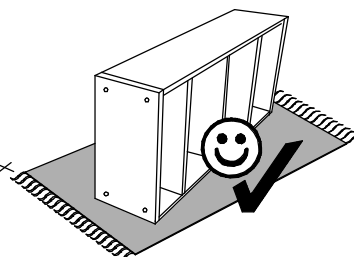
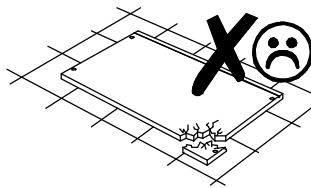
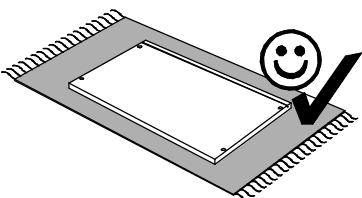
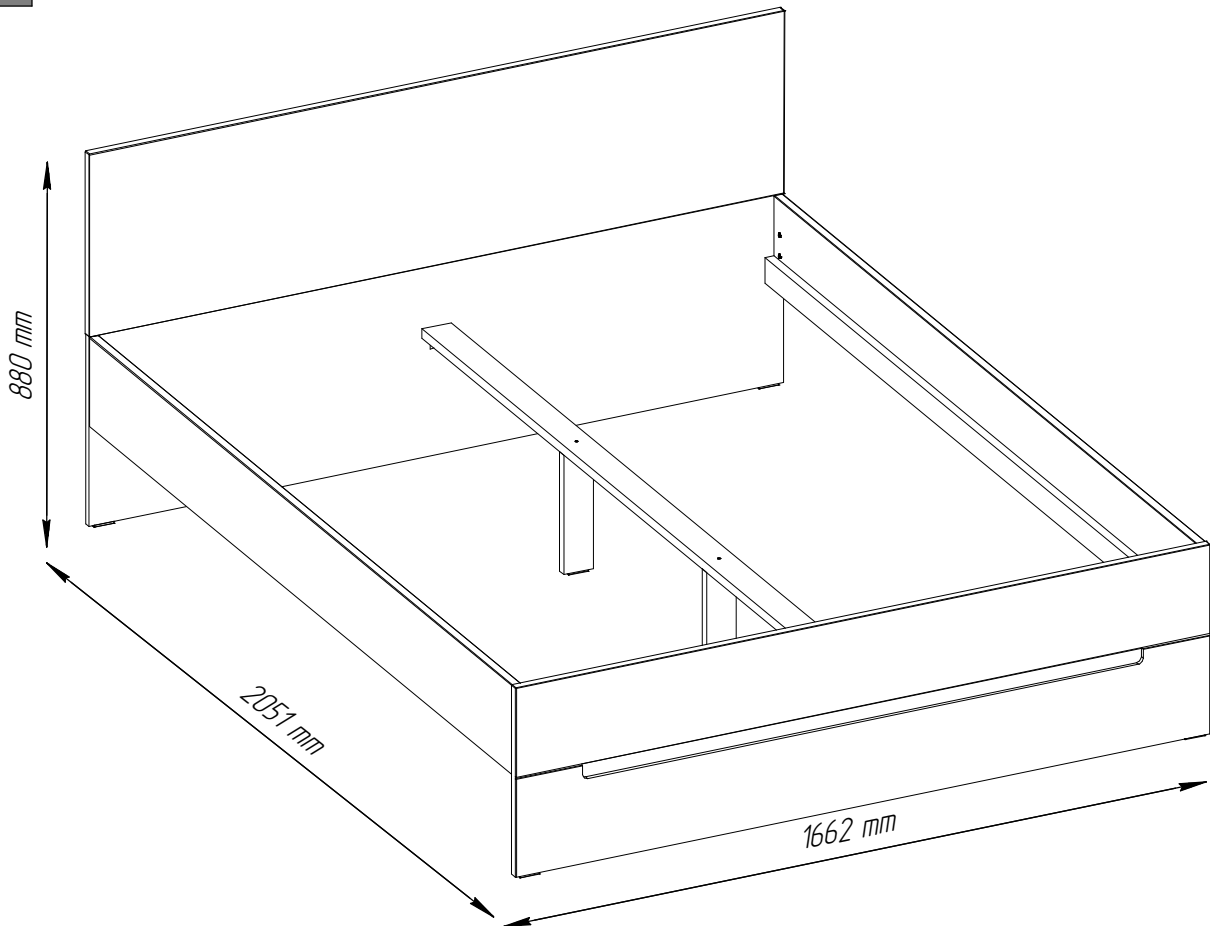
PL: 36UO+ŁÓŻKO HILL Z2 160X200

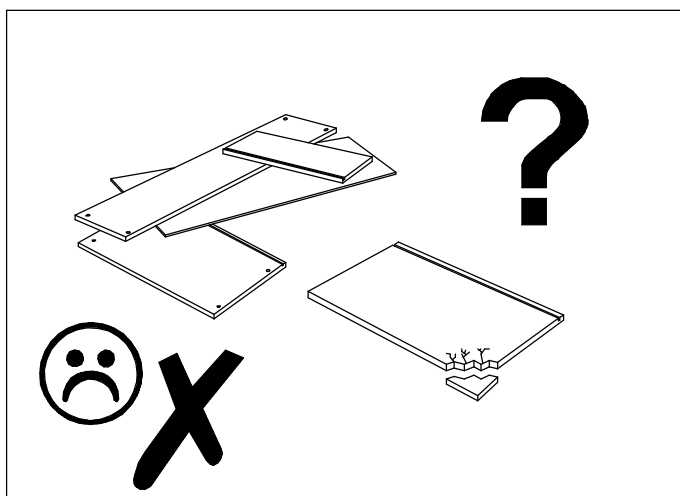
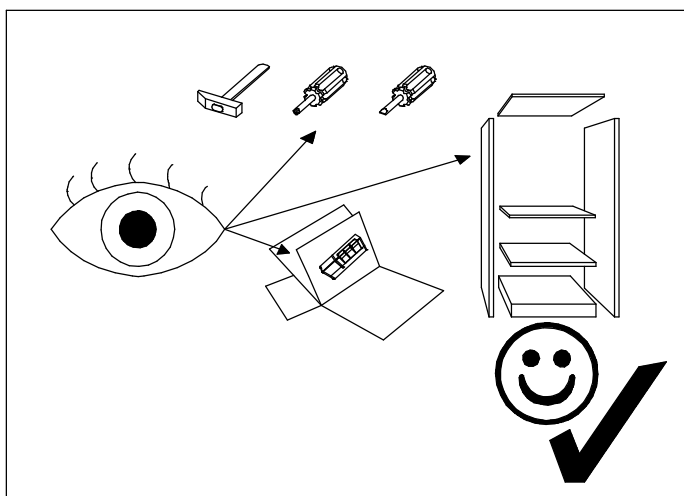
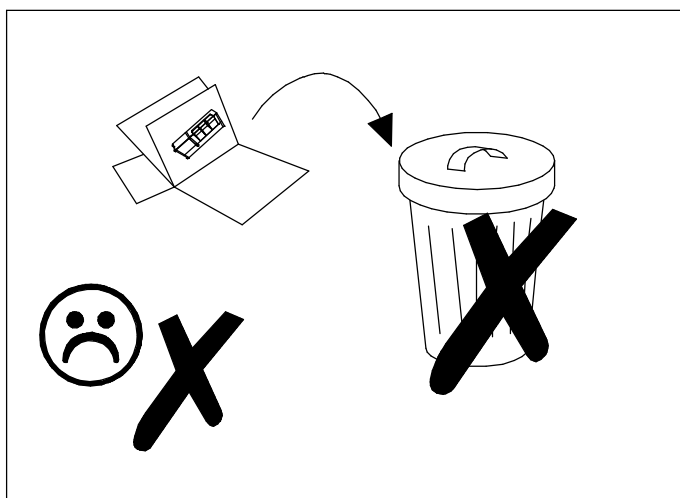
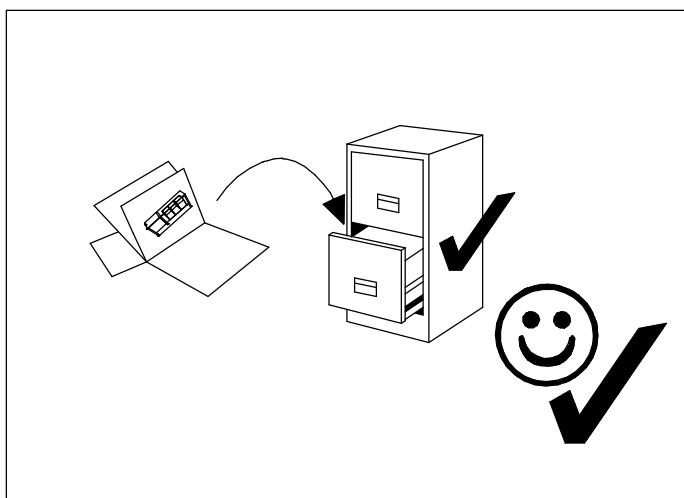
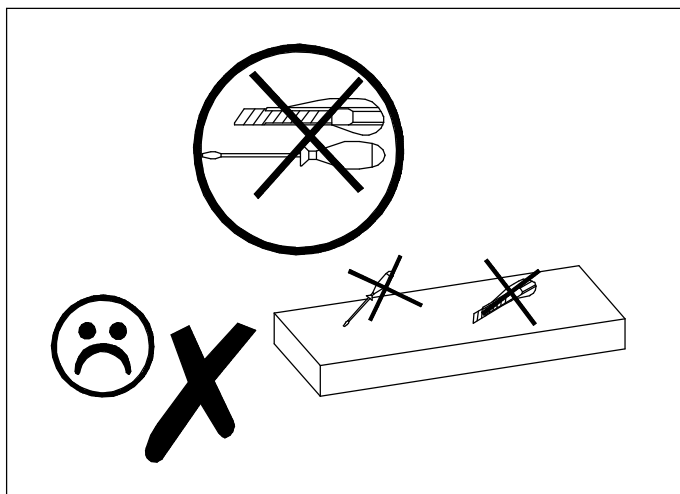
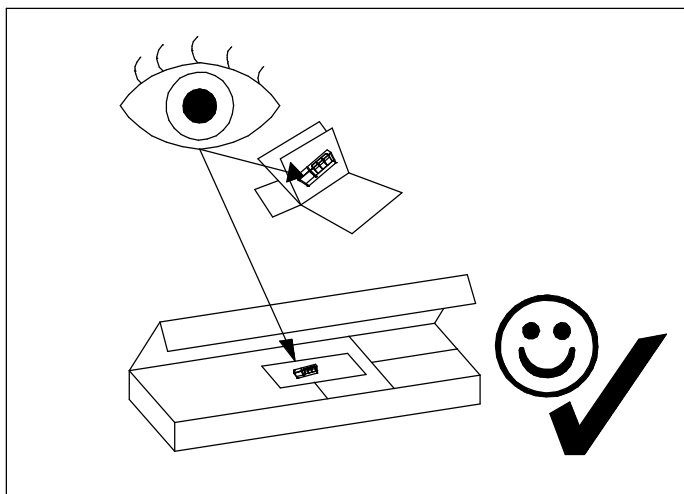


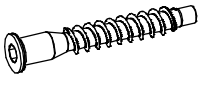


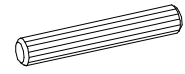
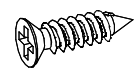
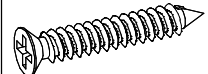

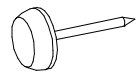




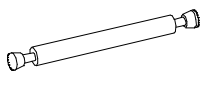
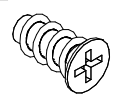
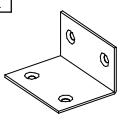
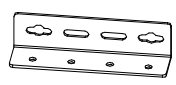

SK: 36UO+POSTEĽ HILL Z2 160X200



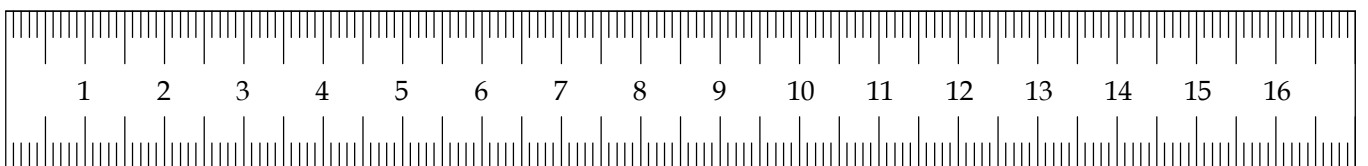
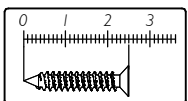
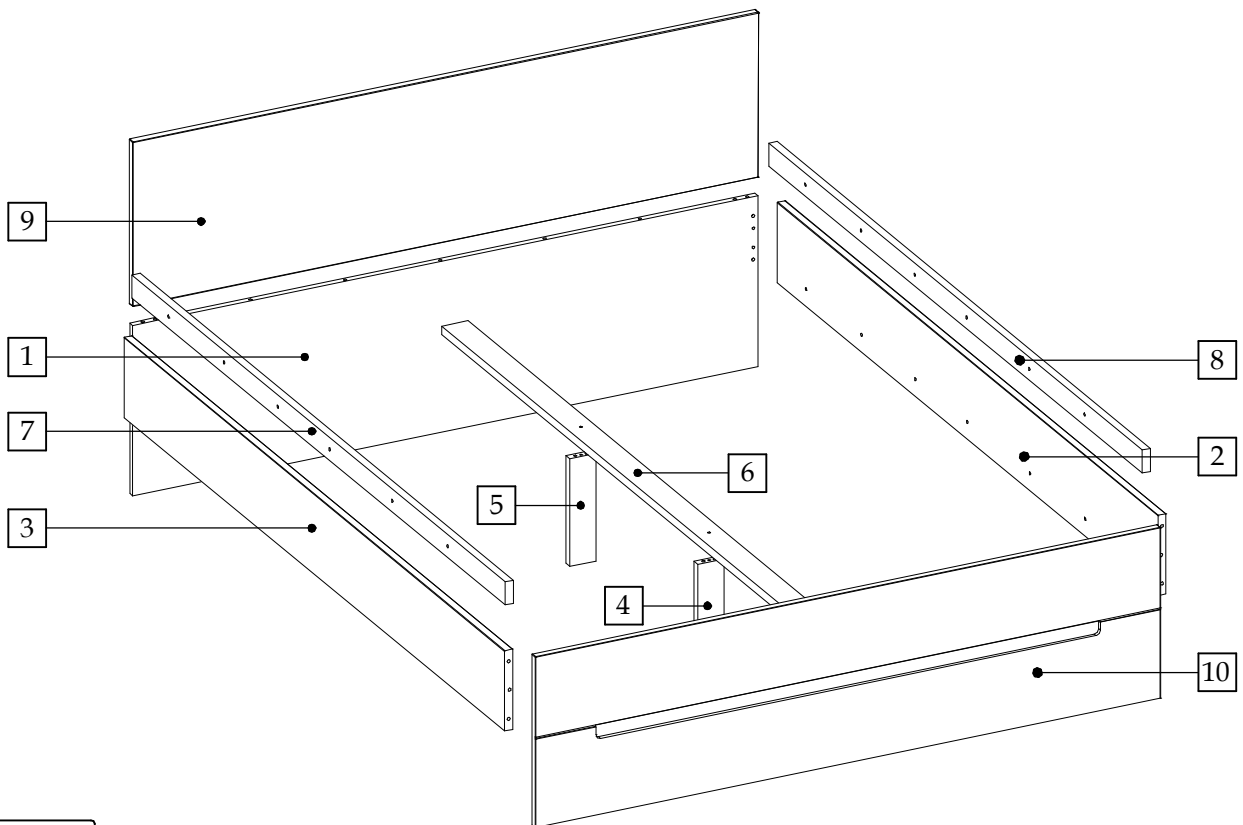
CZ: 36UO+POSTEL HILL Z2 160X200



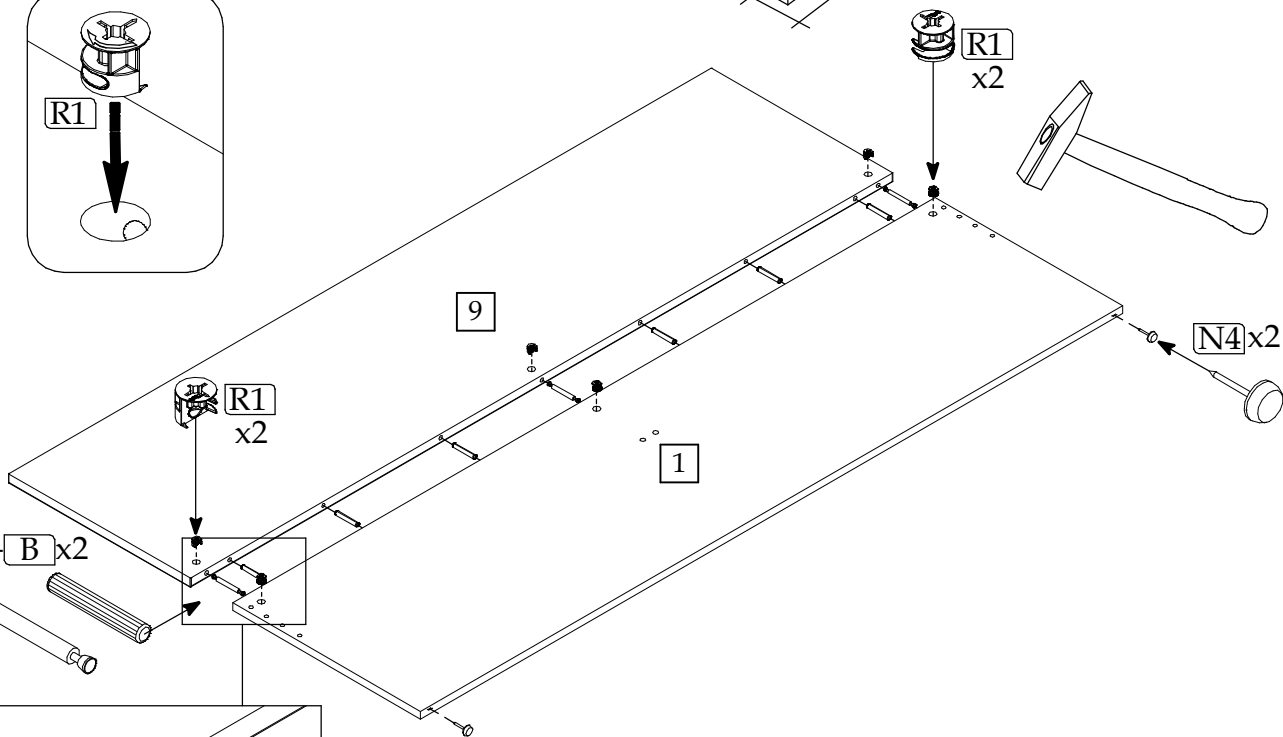
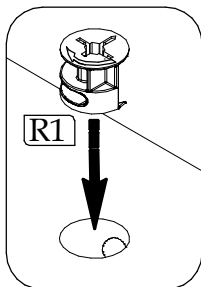
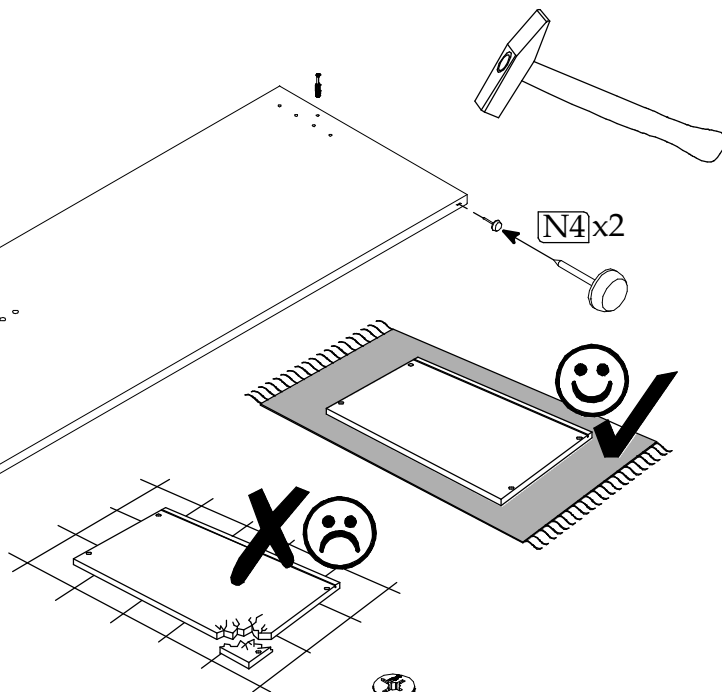
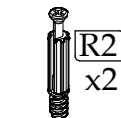
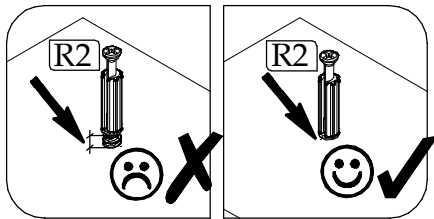


A1 x8  6.4x50	A3 x1  4mm	B x10  8x30	B2 x6  8x50	E x8  3.5x16	E5 x12  4x35
E9 x4  M6x50	N4 x6 	Q x4  M6 10x13	R1 x8 		
R2 x2 	R3 x6 	R6 x3  L-68mm	T x16  6.3x13		
Y1 x2 	Y2 x2 	Z3 x6 			

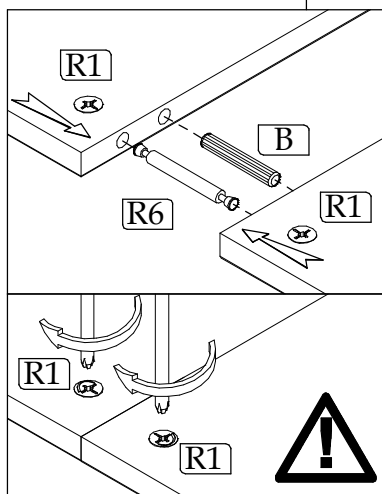
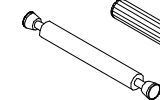
Element symbol	Measurements				Code	Paket
	1	2	3	4		
1	1662	445	16	1	1003	2/2
2	2016	210	22	1	1004	1/2
3	2016	210	22	1	1013	1/2
4	280	70	22	1	1016	1/2
5	280	70	22	1	1017	1/2
6	2016	70	22	1	1011	1/2
7	1976	60	22	1	1010	1/2
8	1976	60	22	1	1012	1/2
9	1664	432	22	1	1031/3001	2/2
10	1664	447	16	1	1032/3002	2/2



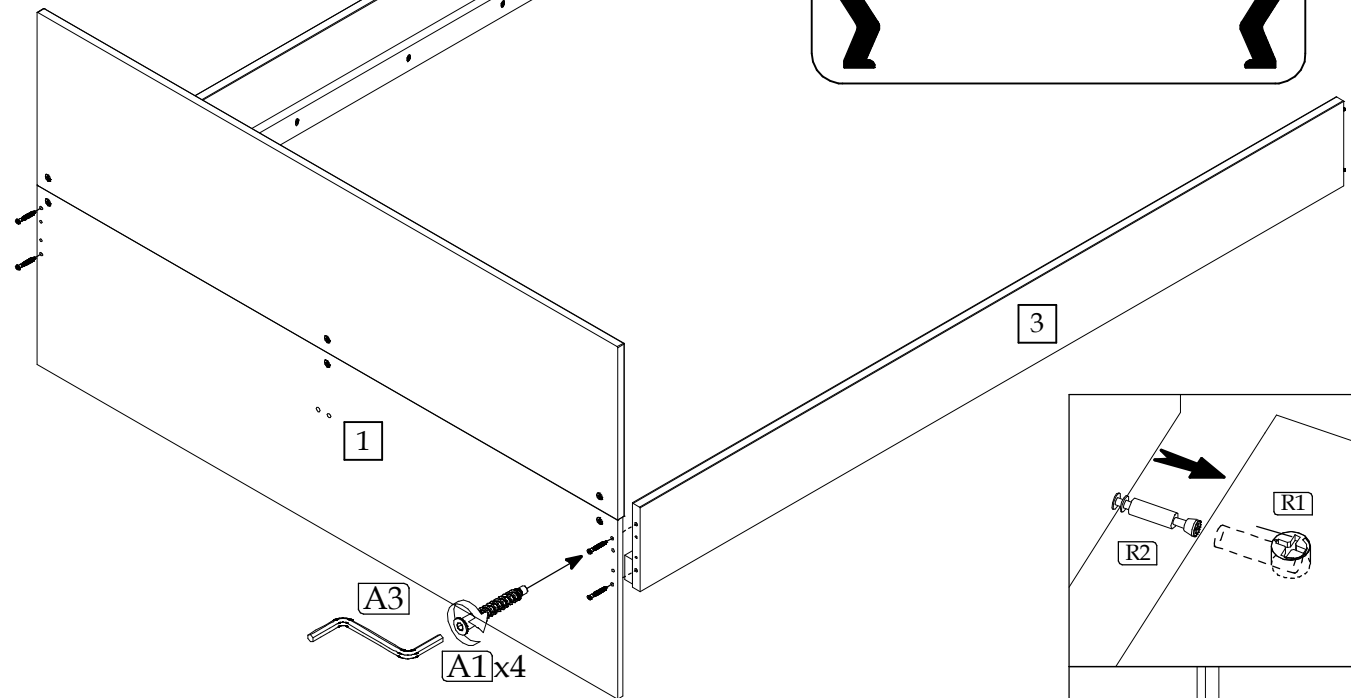
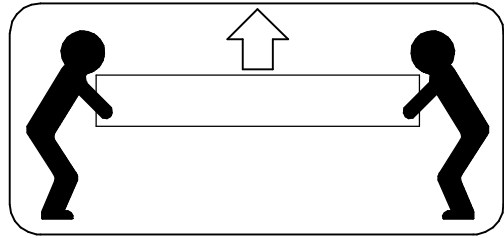
▶ 2



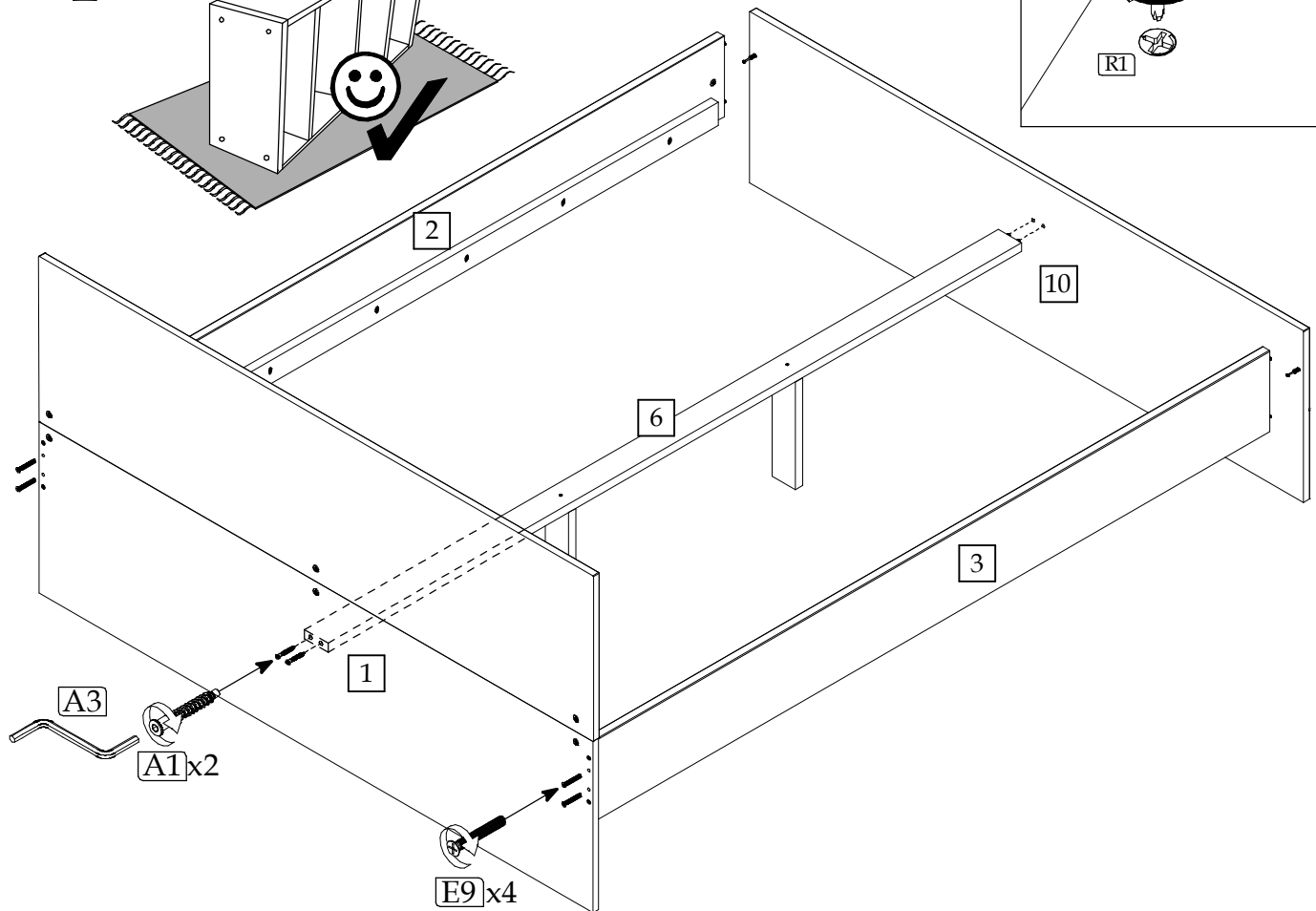
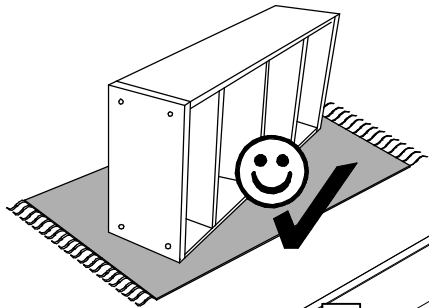
R6 + B x2



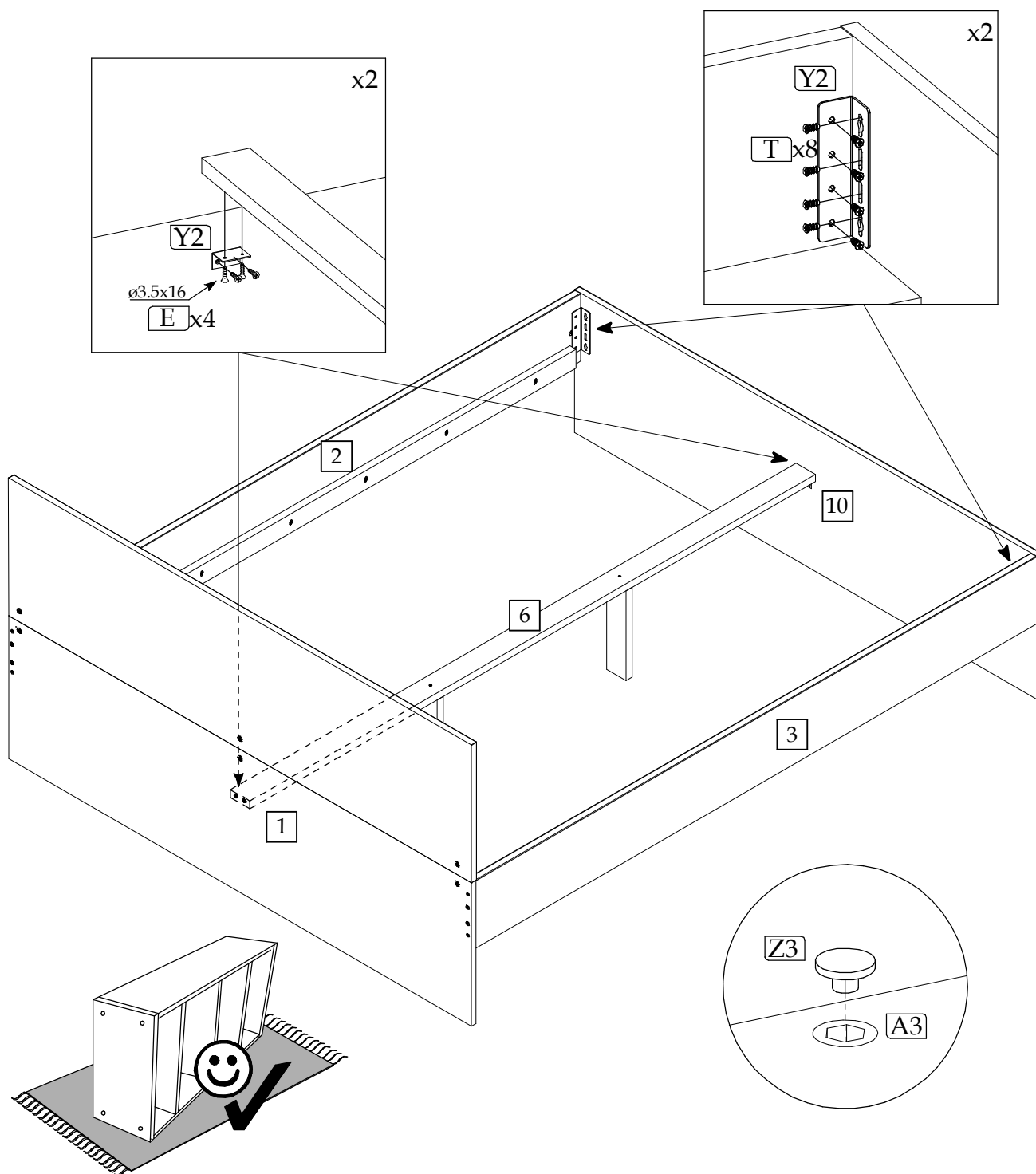
▶ 3



▶ 4



► 5



▶ 6

