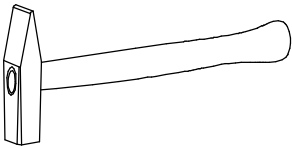
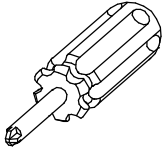
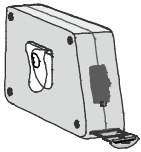
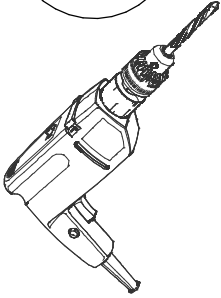
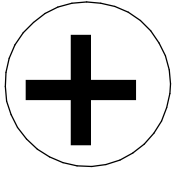
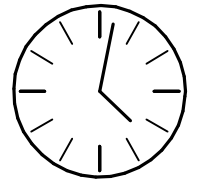
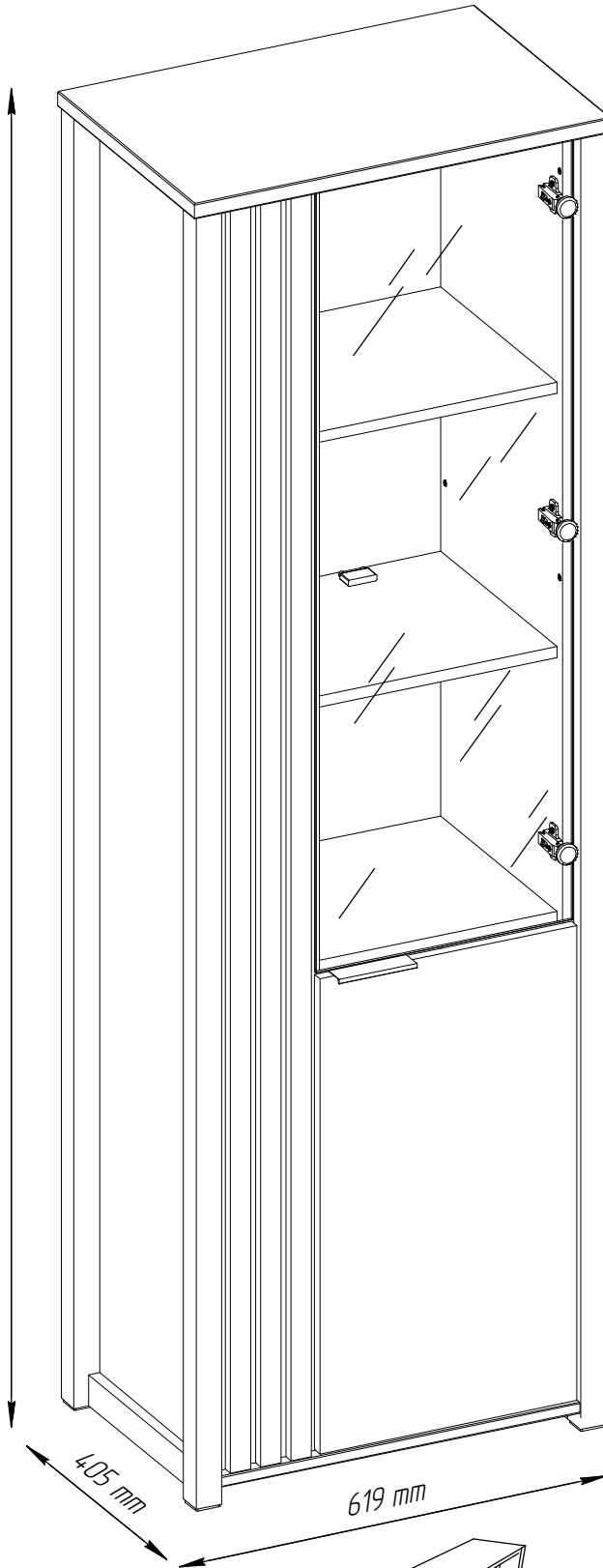


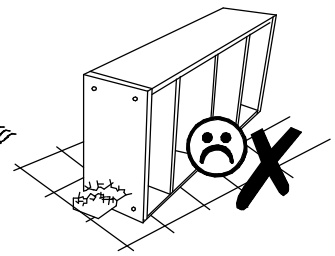
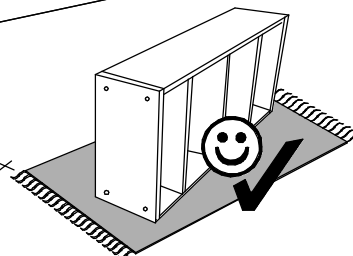
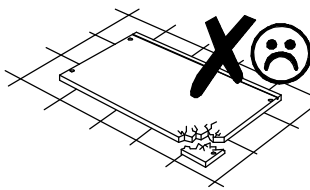
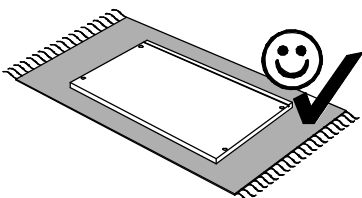
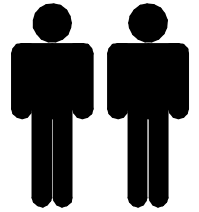
HELIX A2

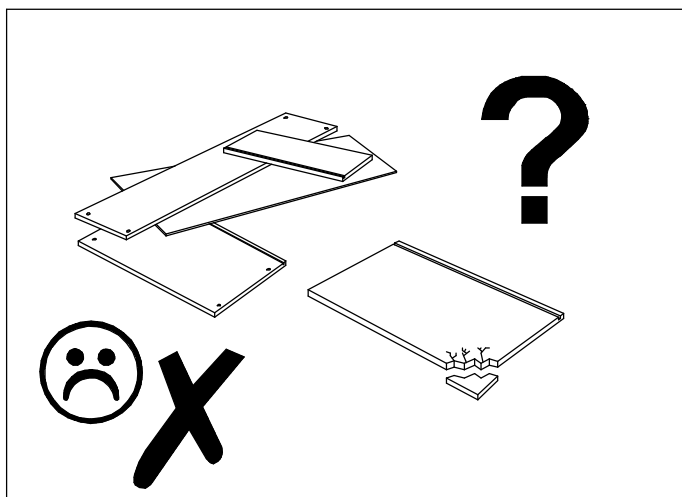
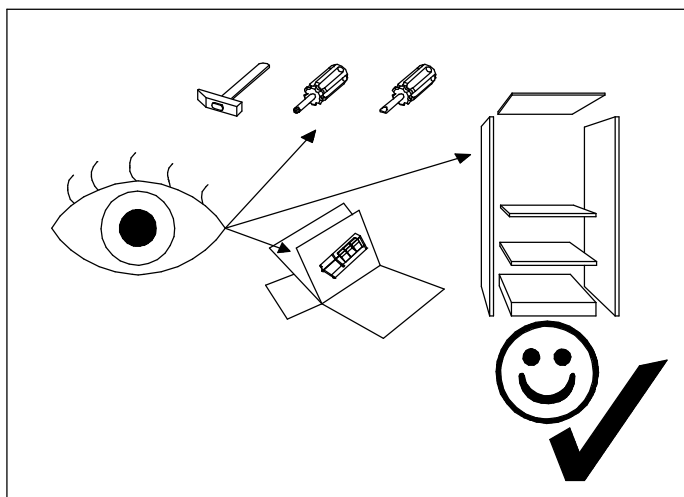
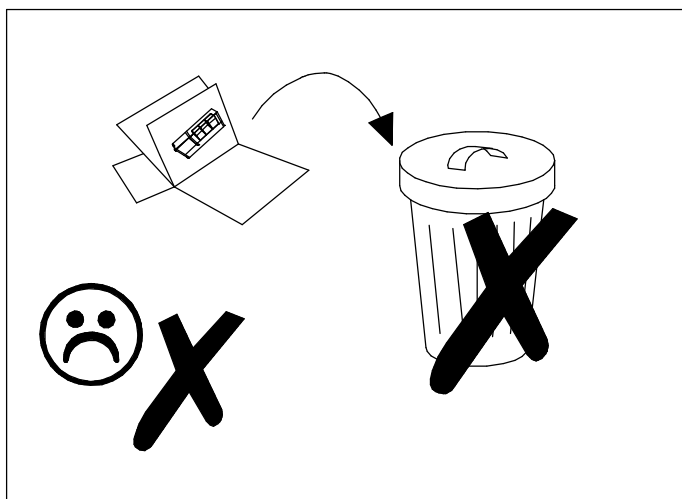
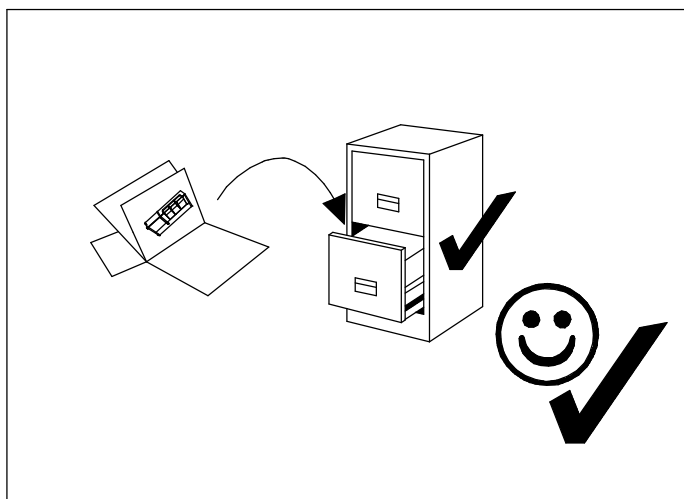
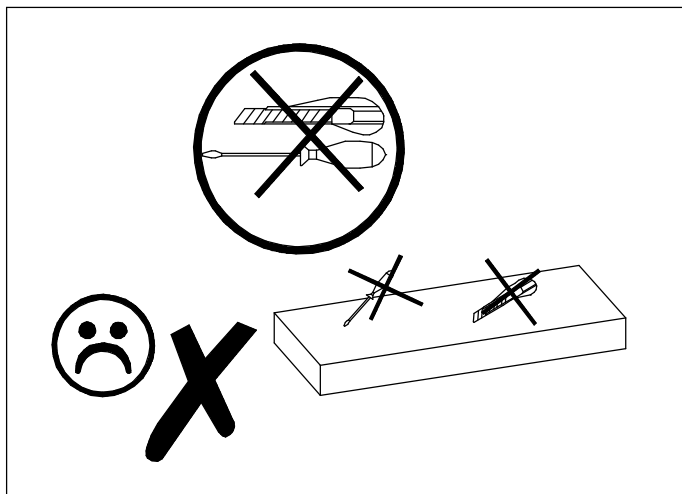
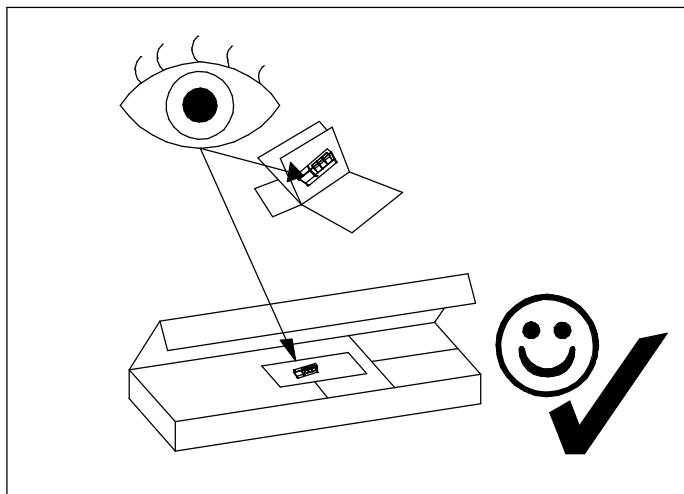


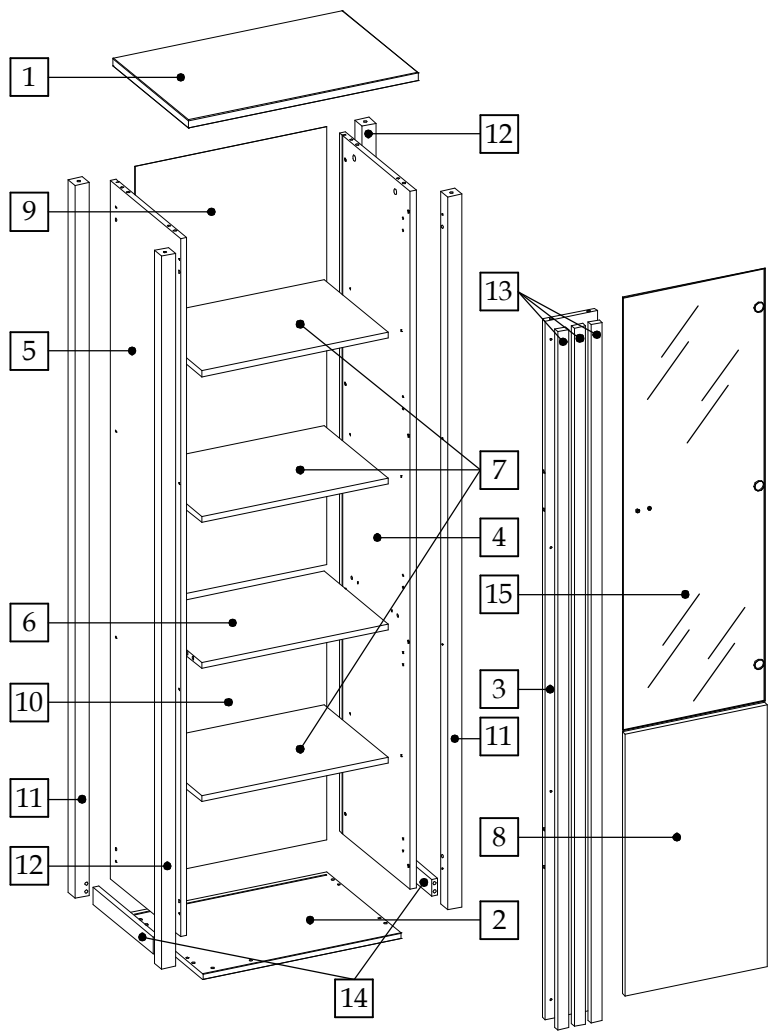
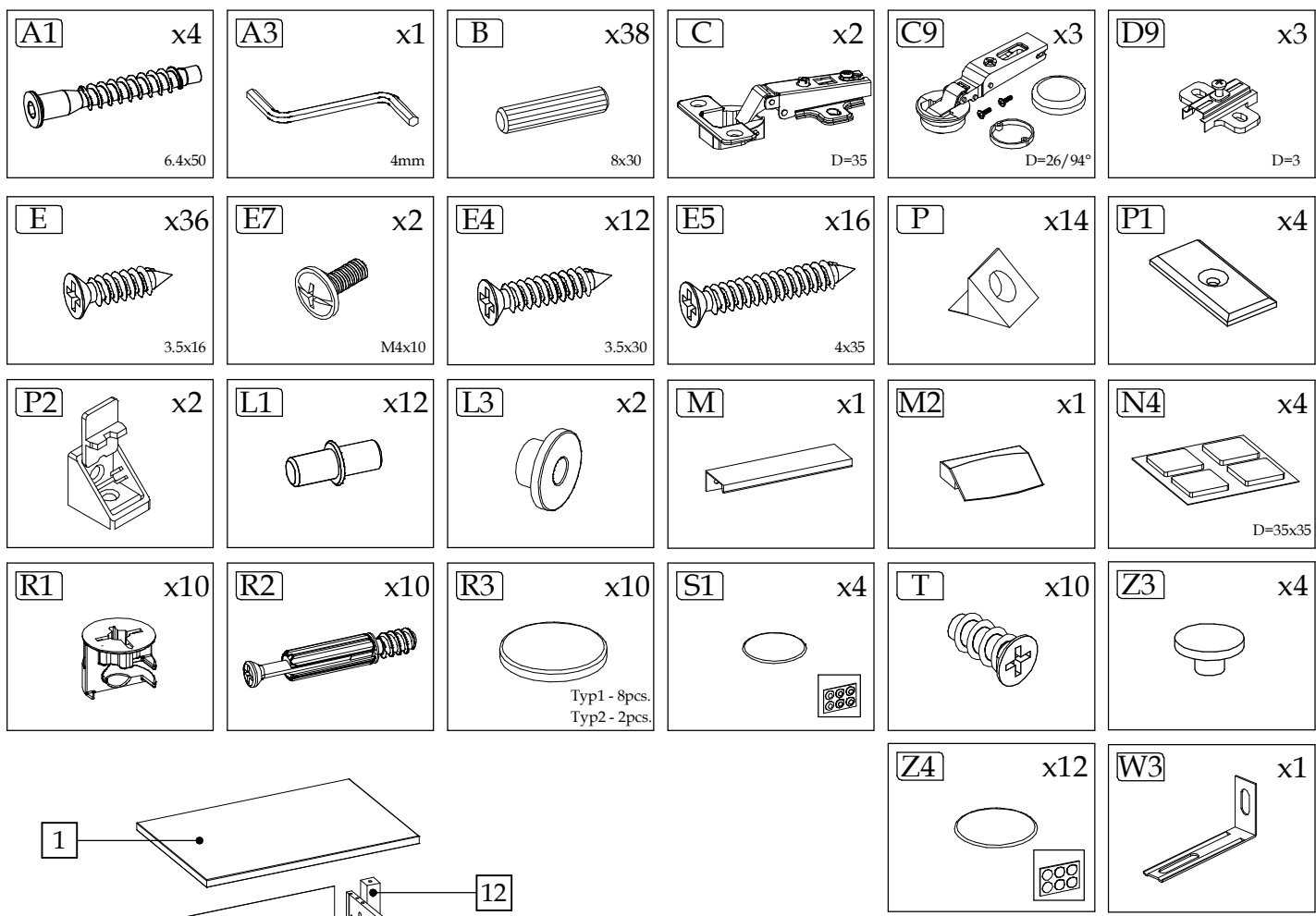
1910 mm



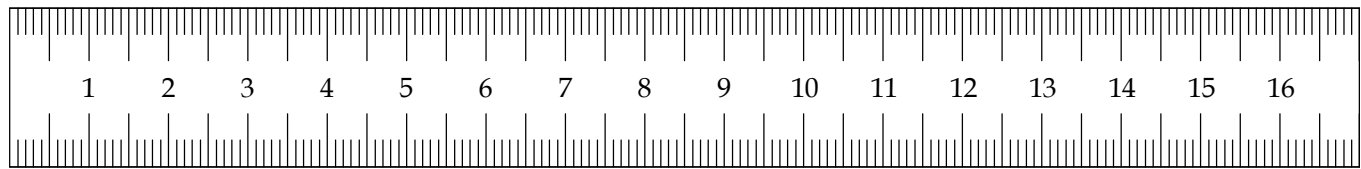
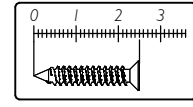
100 min



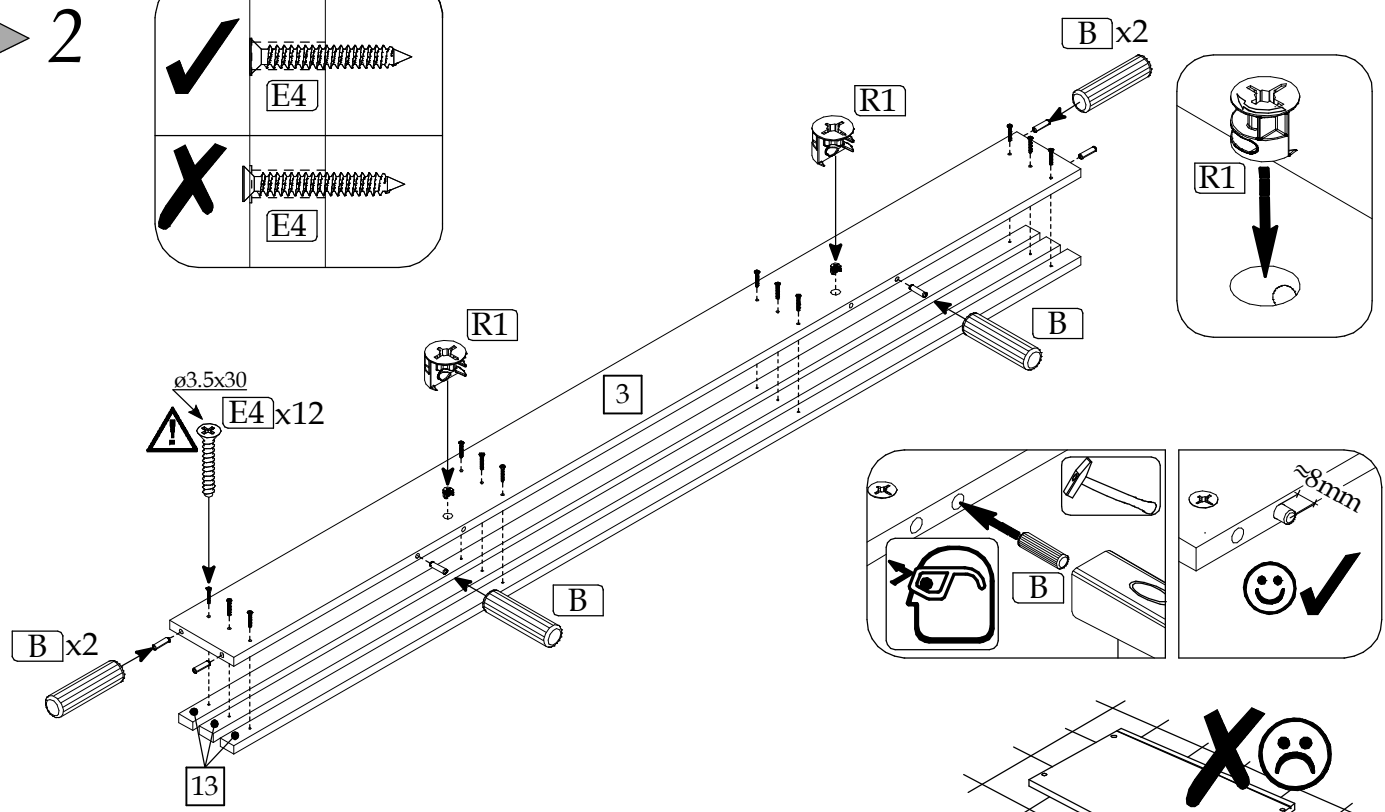
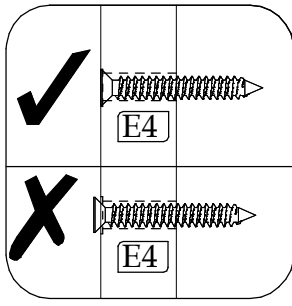




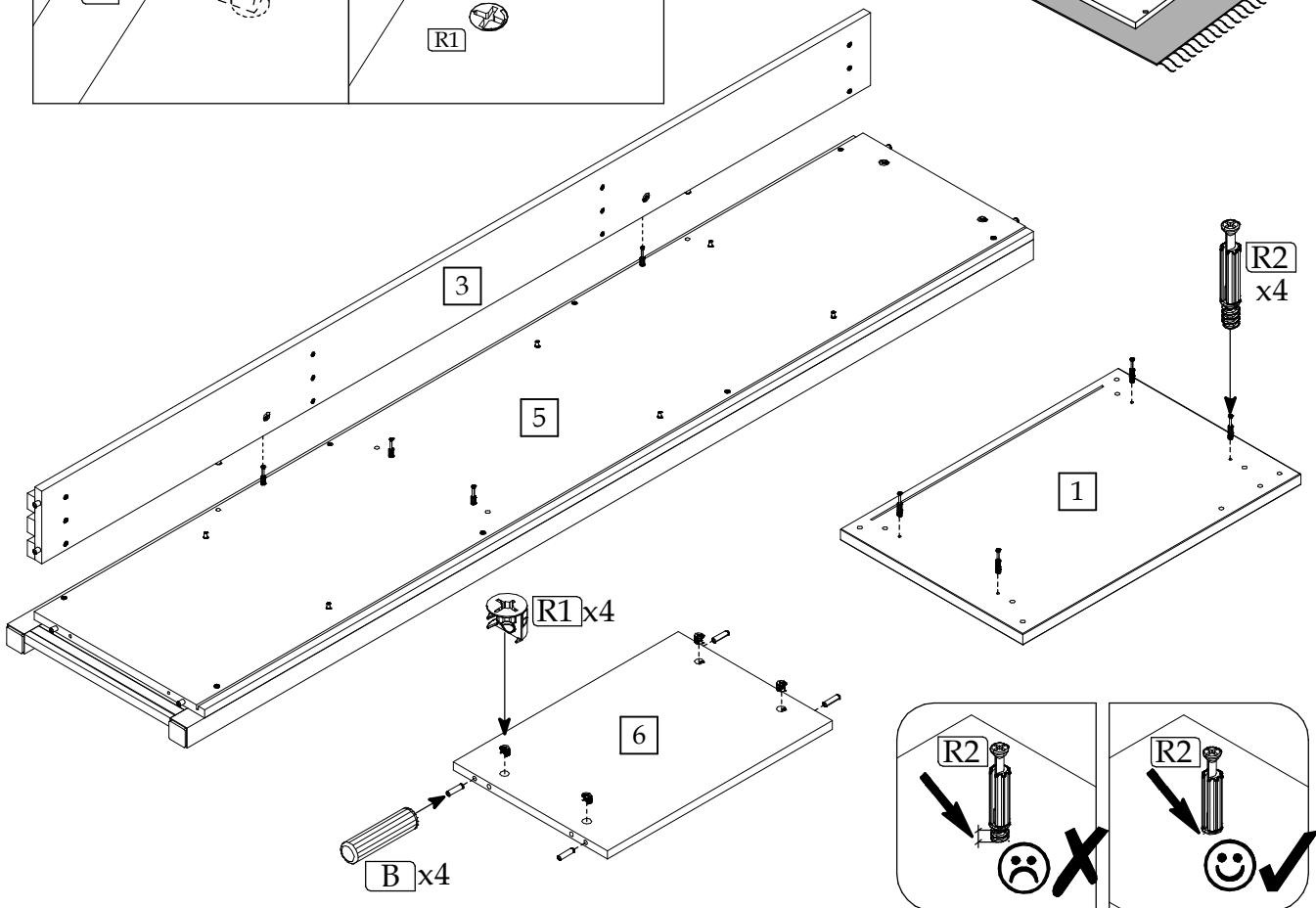
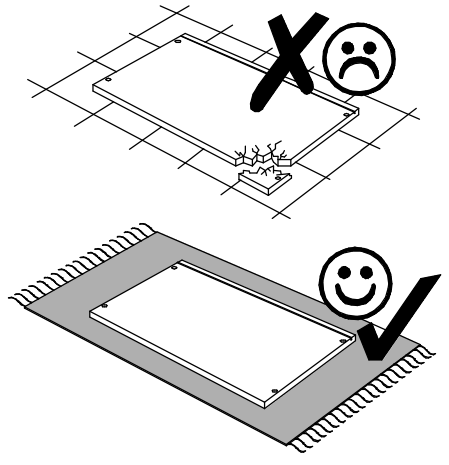
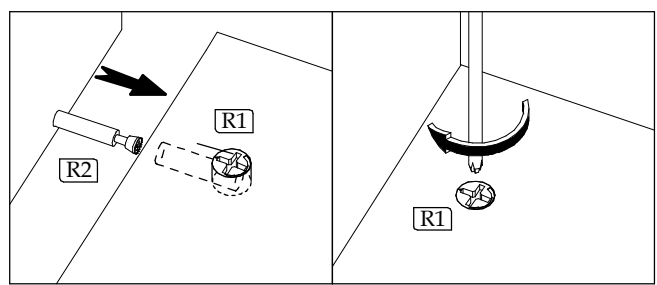
Element symbol	Measurements				Code	Pack
1	619	405	22	1	1001	1/3
2	533	398	16	1	1012	1/3
3	140	1844	16	1	1009	1/3
4	1844	379	16	1	1010	1/3
5	1844	379	16	1	1011	1/3
6	501	343	16	1	1027	1/3
7	501	343	16	3	N/A	1/3
8	692	382	16	1	1029	1/3
9	1155	515	3	1	N/A	1/3
10	703	515	3	1	N/A	1/3
11	1883	38	38	2	P38_1883x38_T1	2/3
12	1883	38	38	2	P38_1883x38_T2	2/3
13	1844	30	16	3	P16_1844x30x16	1/3
14	324	45	16	2	P16_324x45x16	1/3
15	1143	382	4	1	Glass	3/3



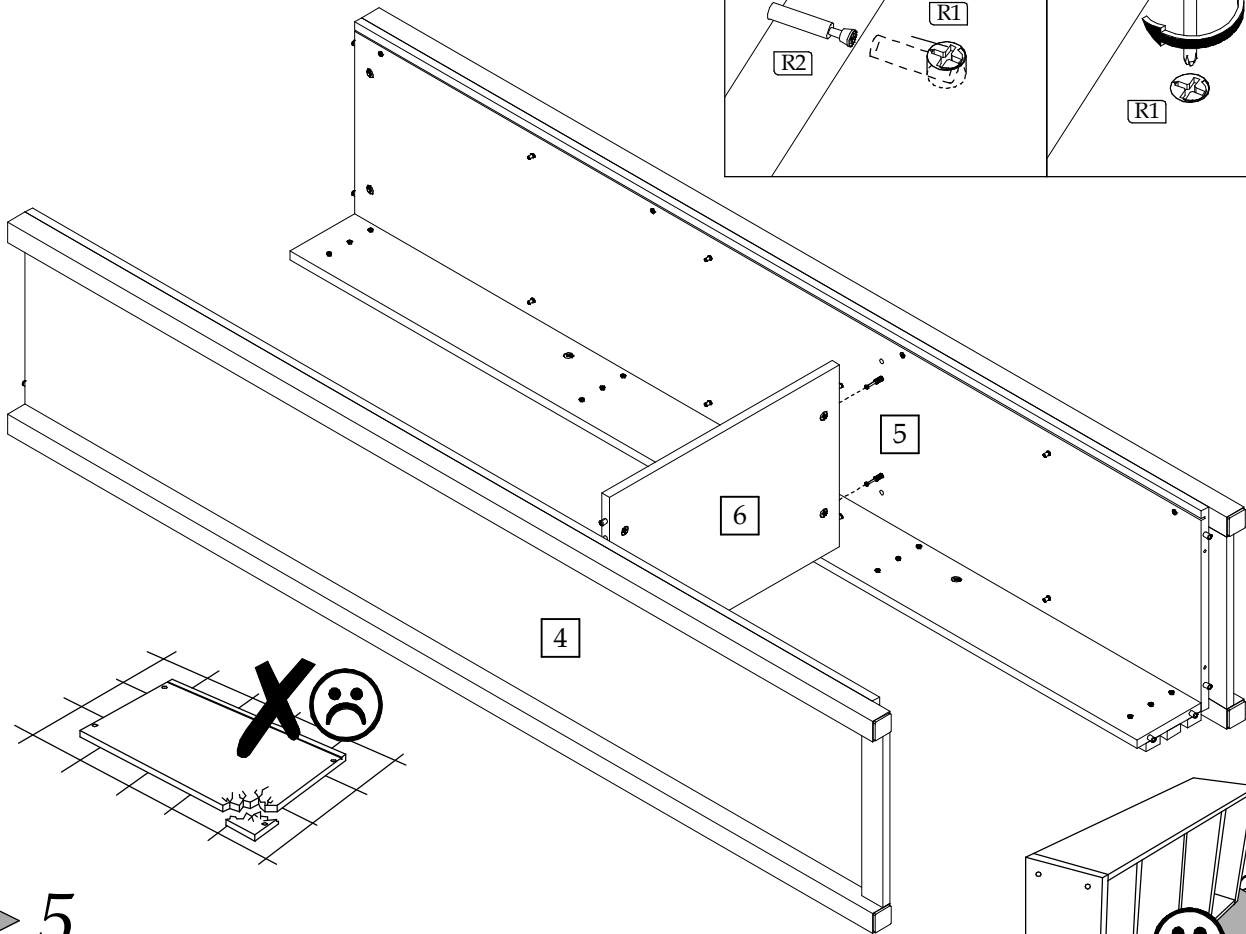
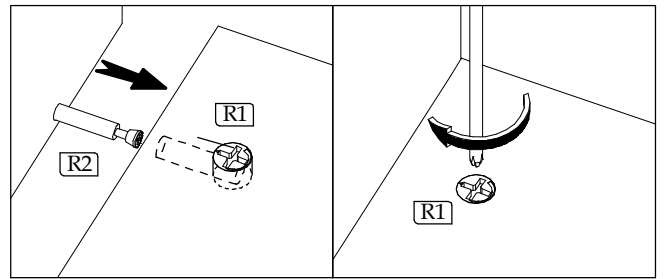
▶ 2



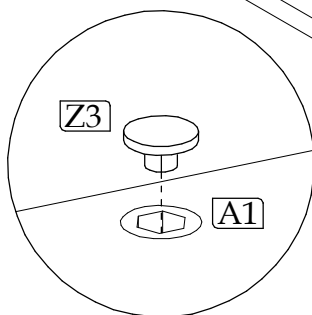
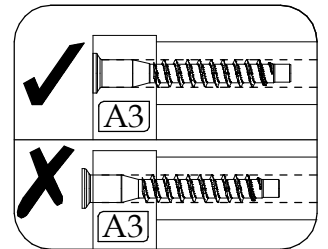
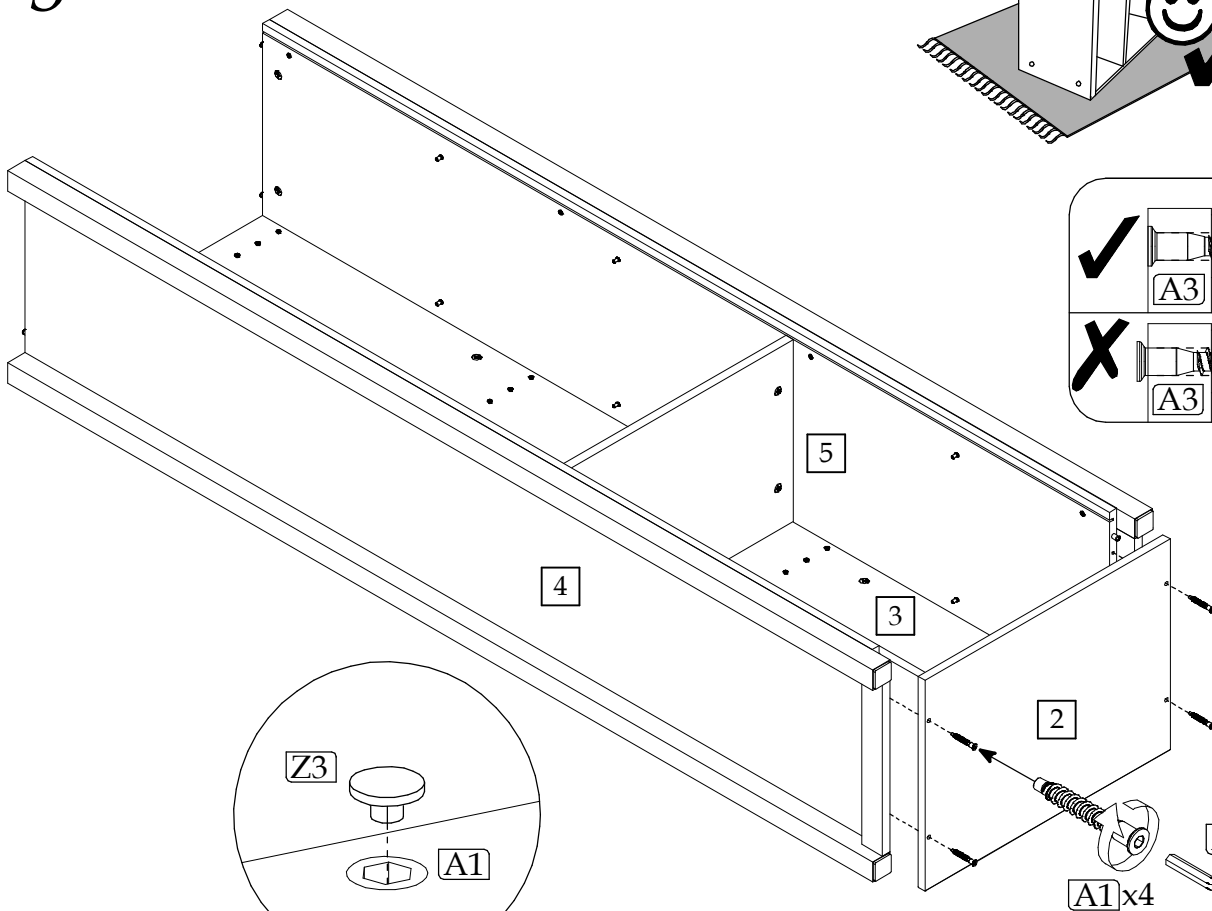
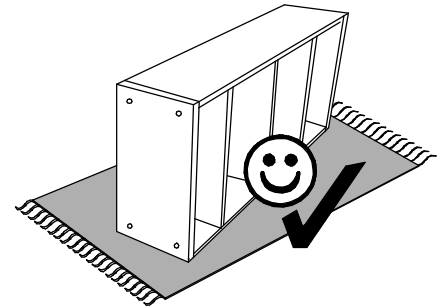
▶ 3



▶ 4



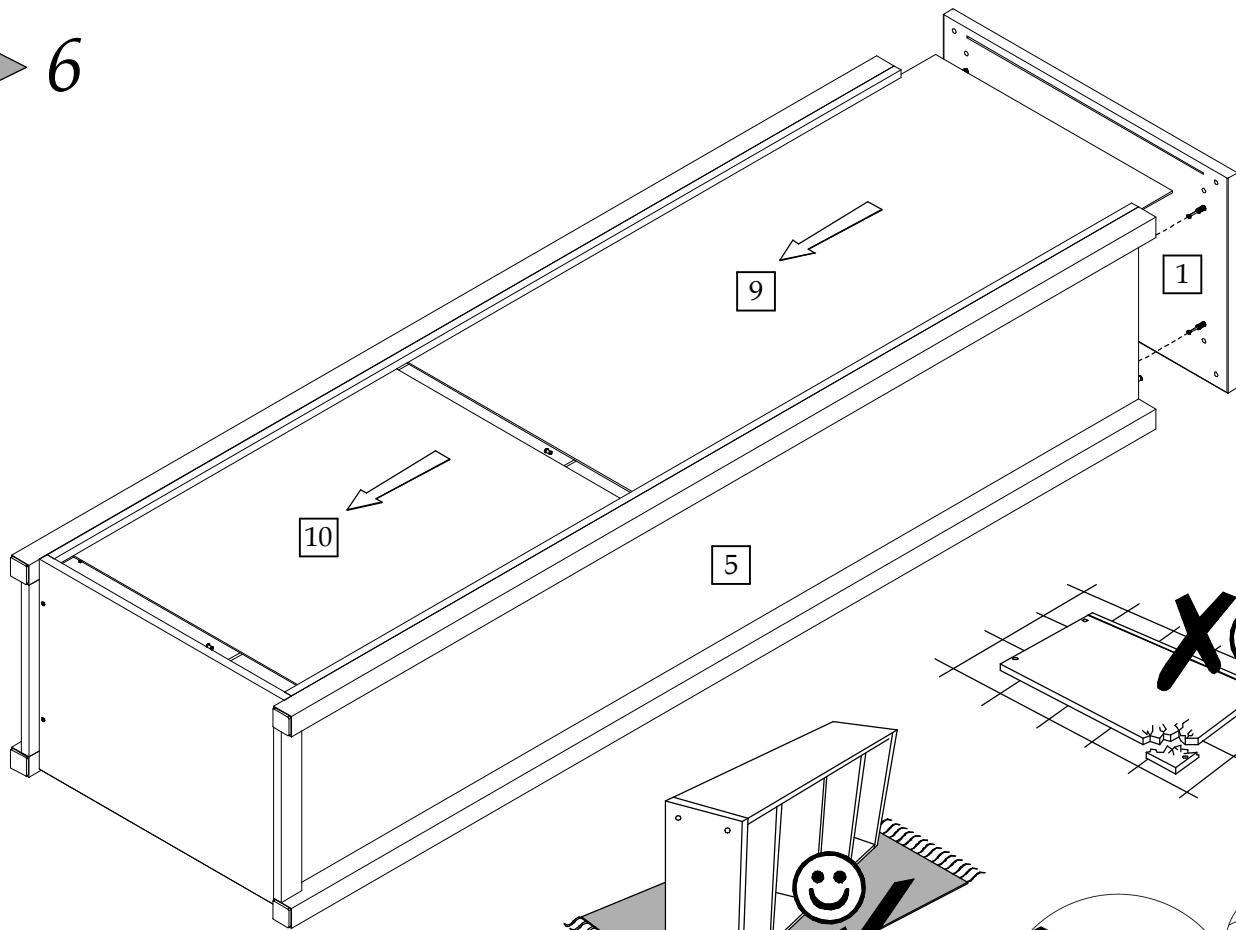
▶ 5



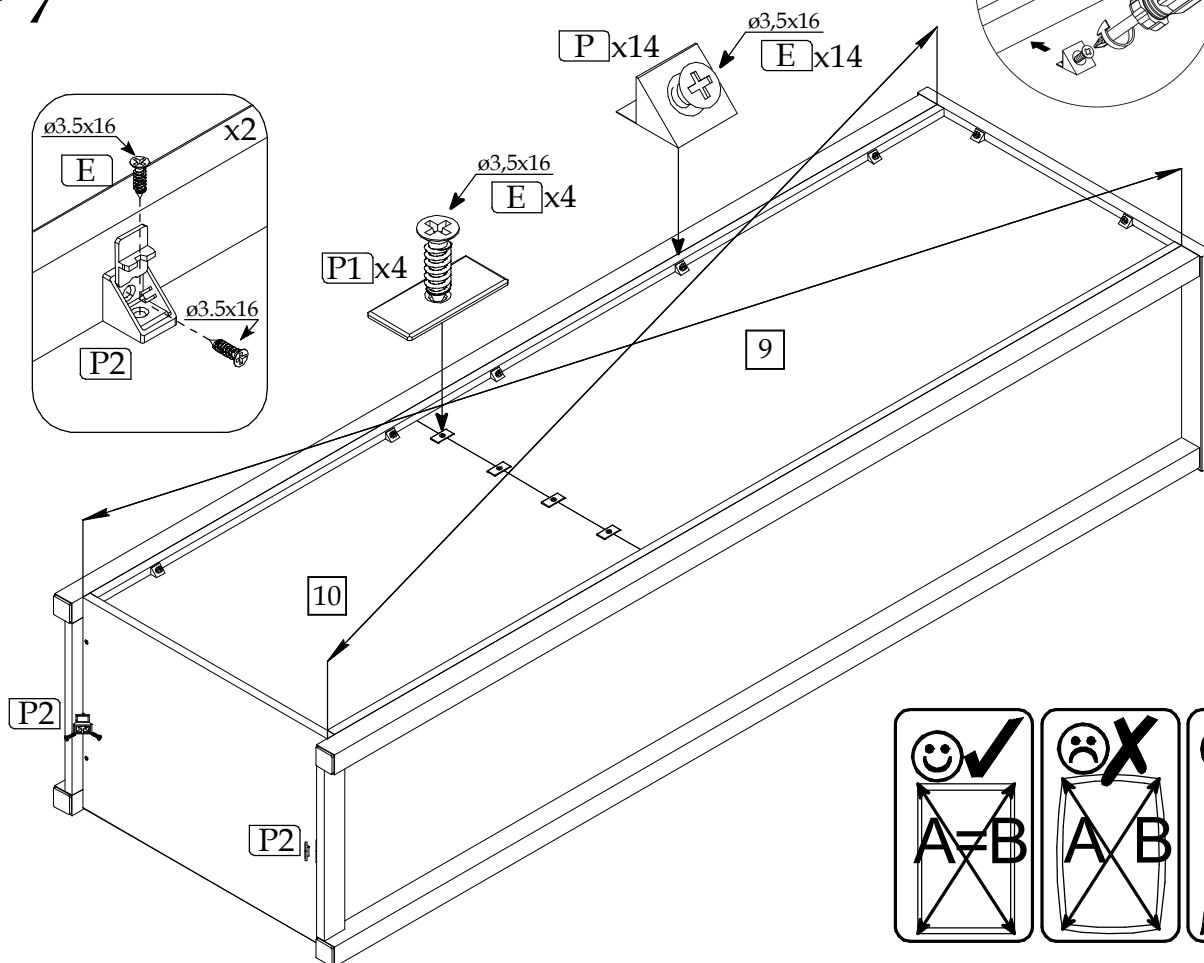
A1 x4

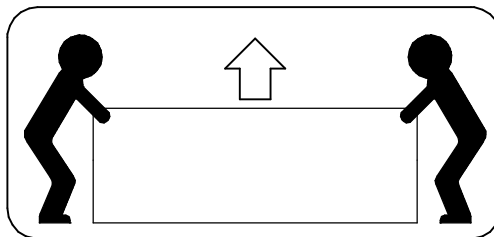
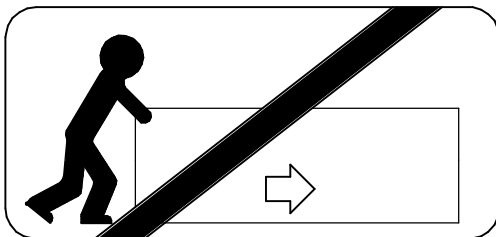
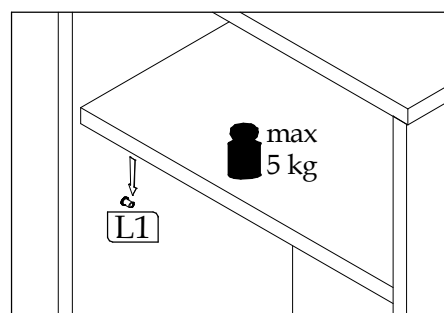
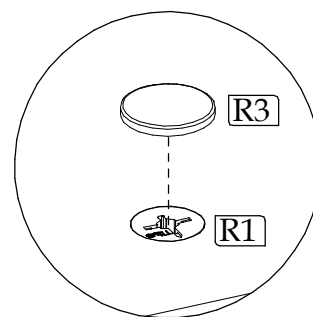
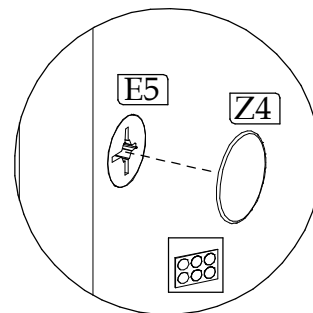
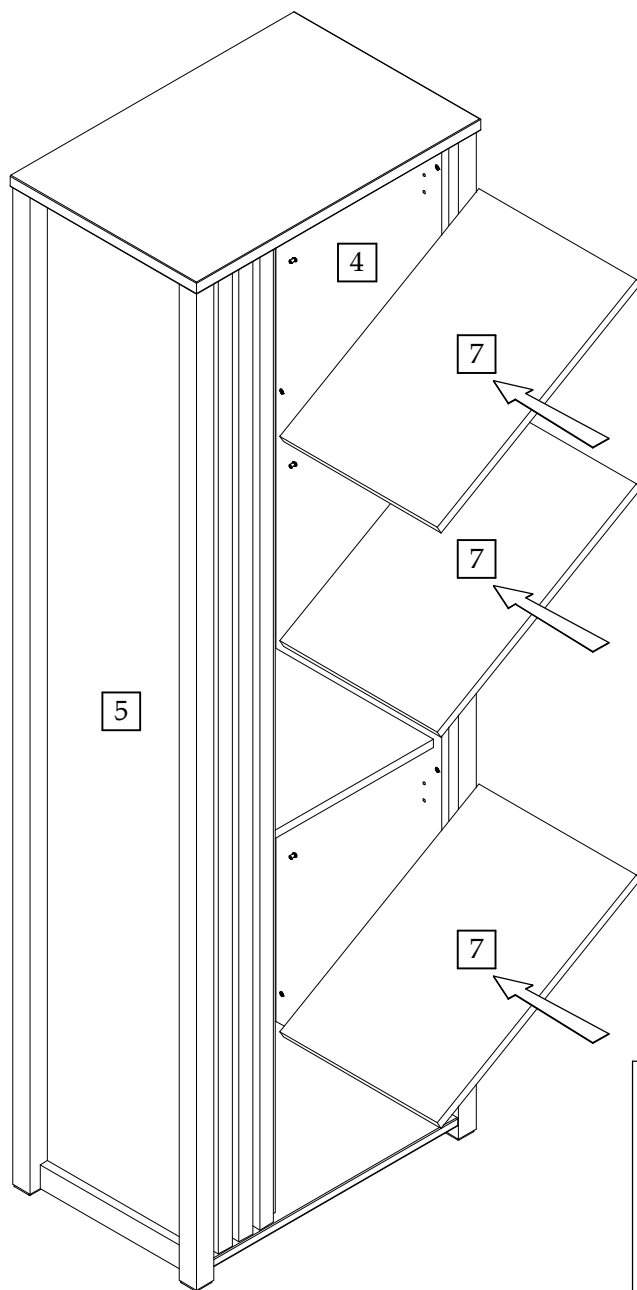
A3

▶ 6

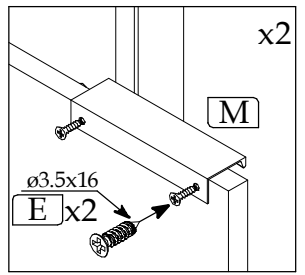
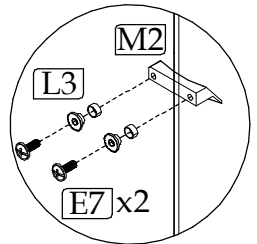
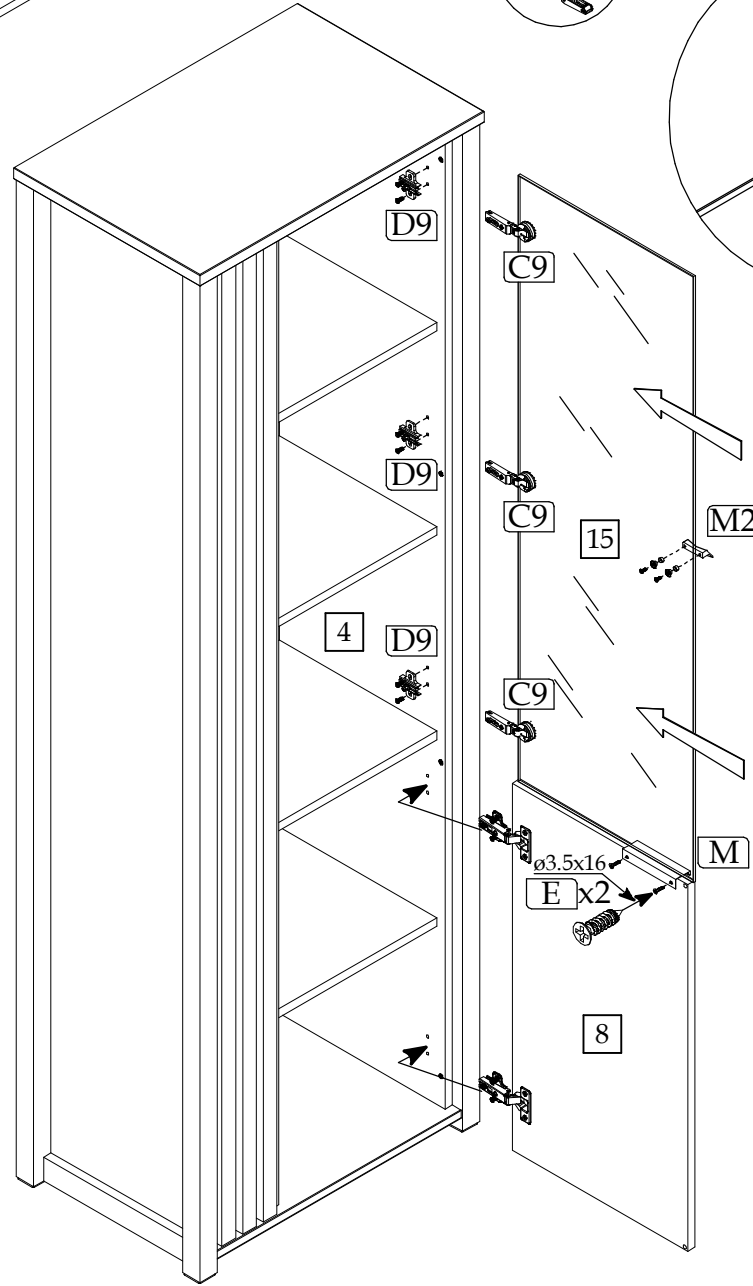
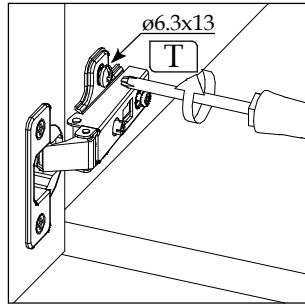
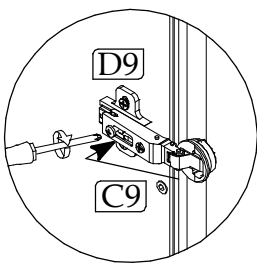
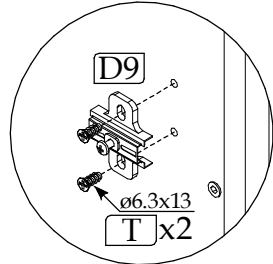
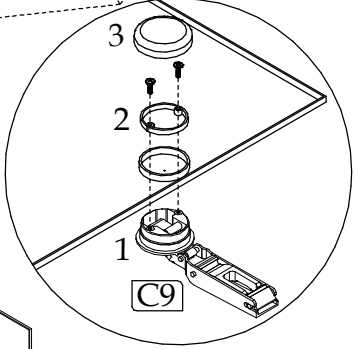
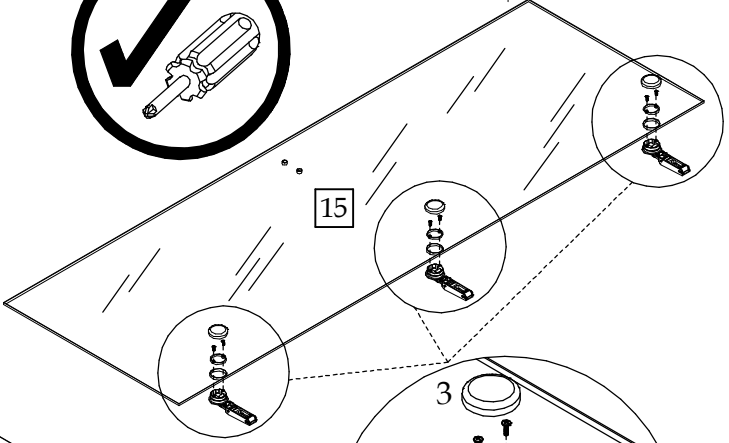
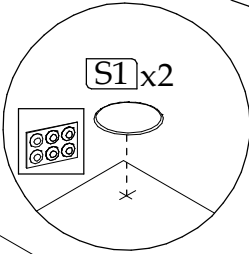
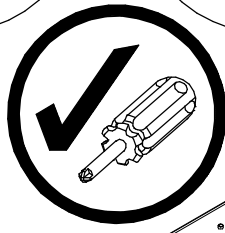
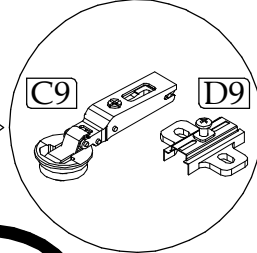
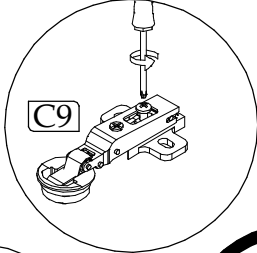
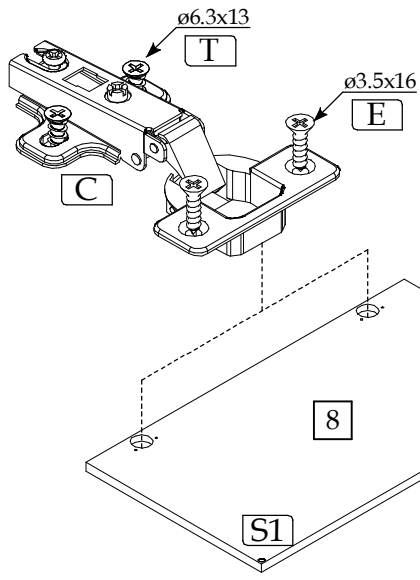


▶ 7





9



▶ 10

