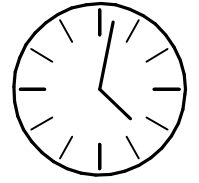
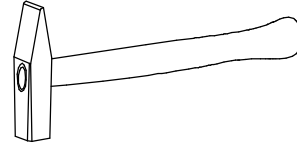
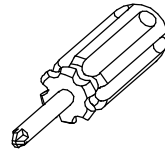
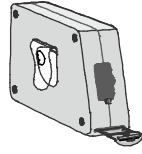
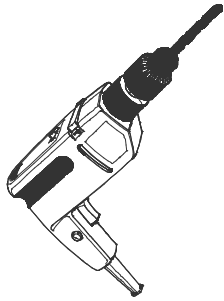
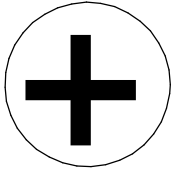
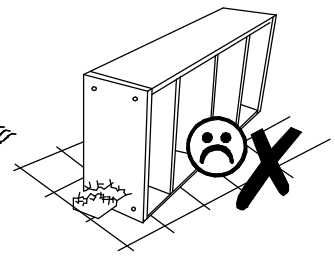
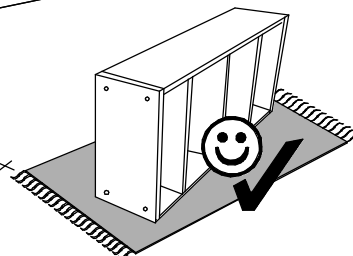
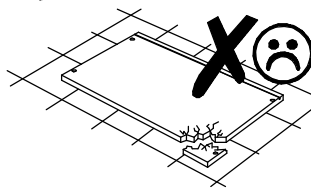
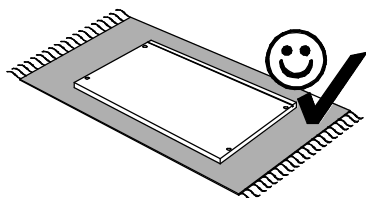
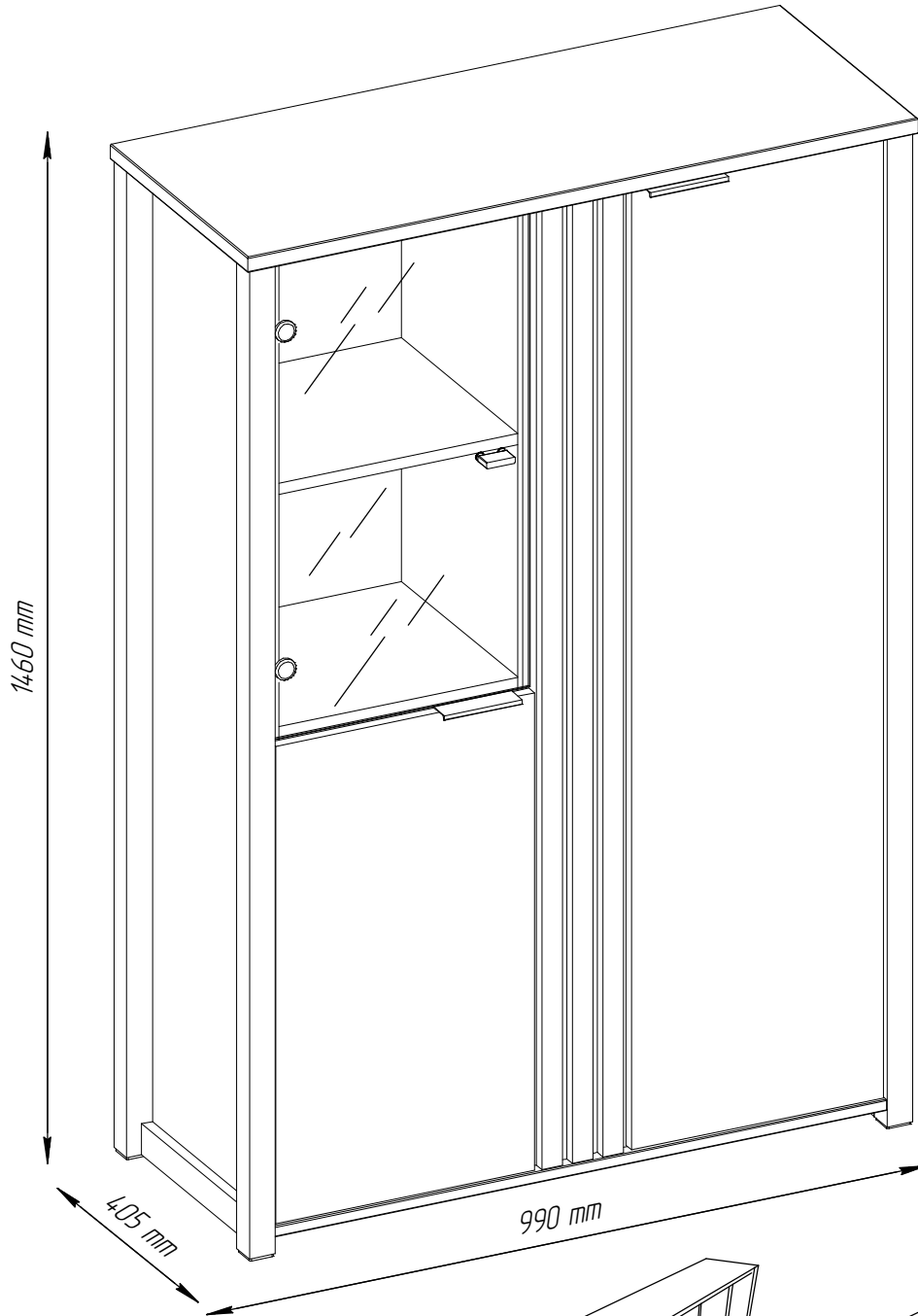
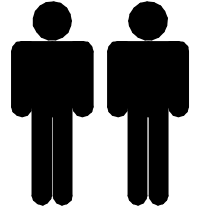
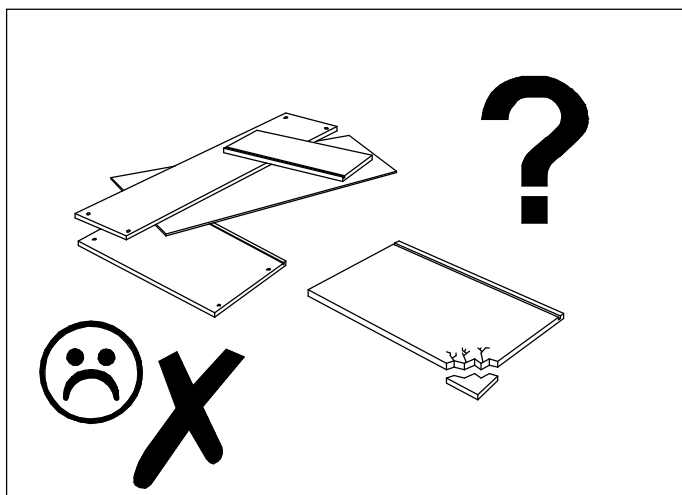
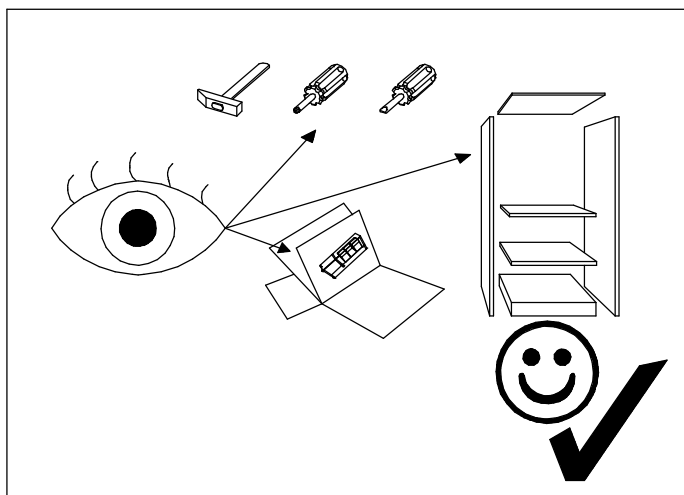
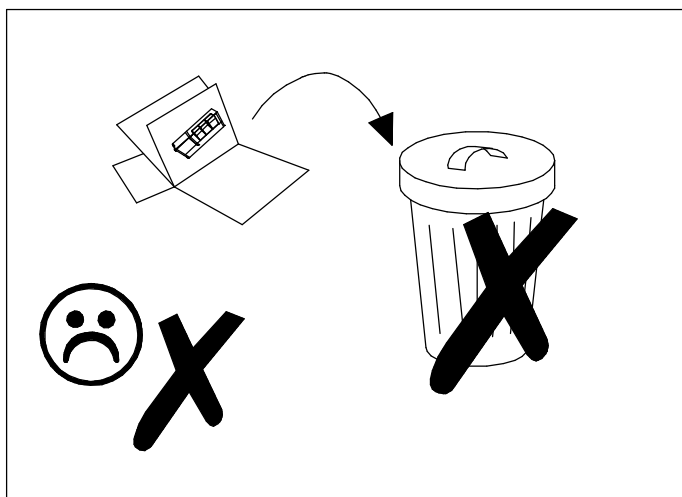
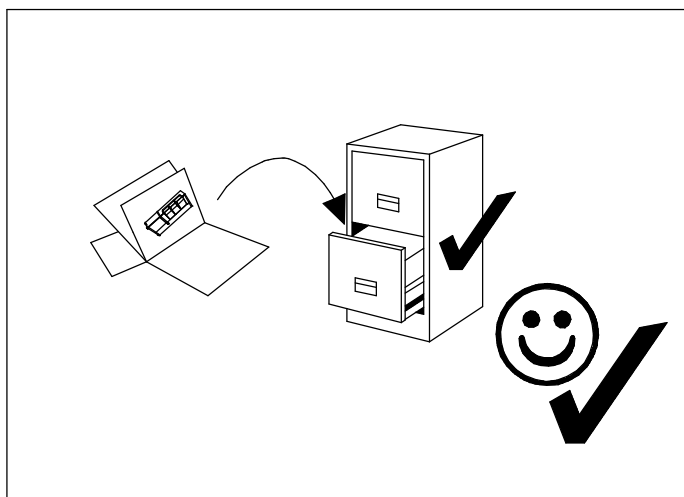
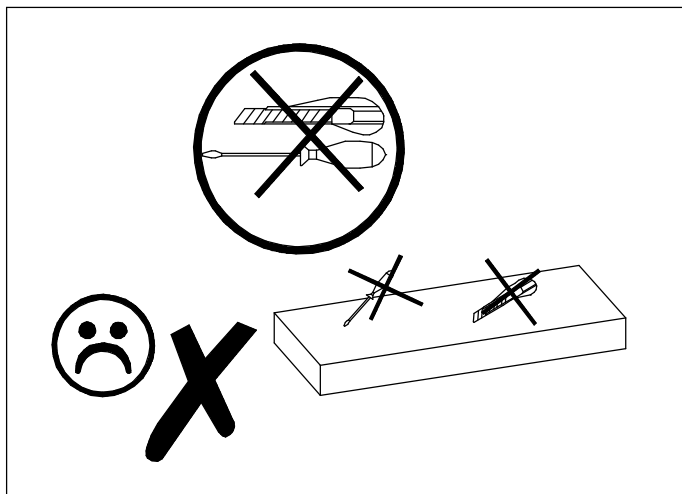
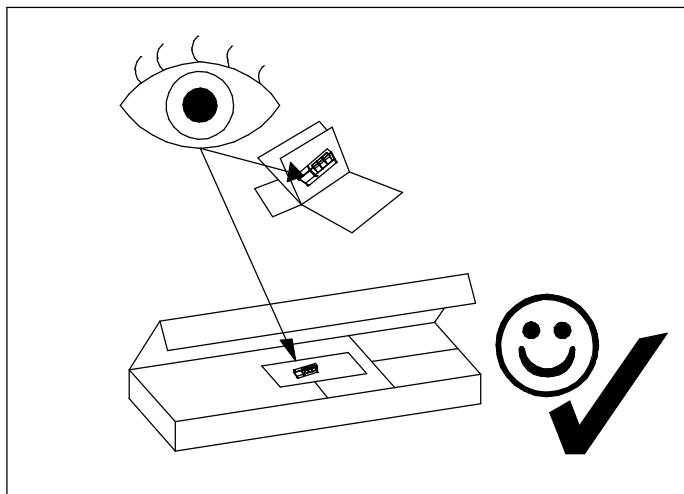


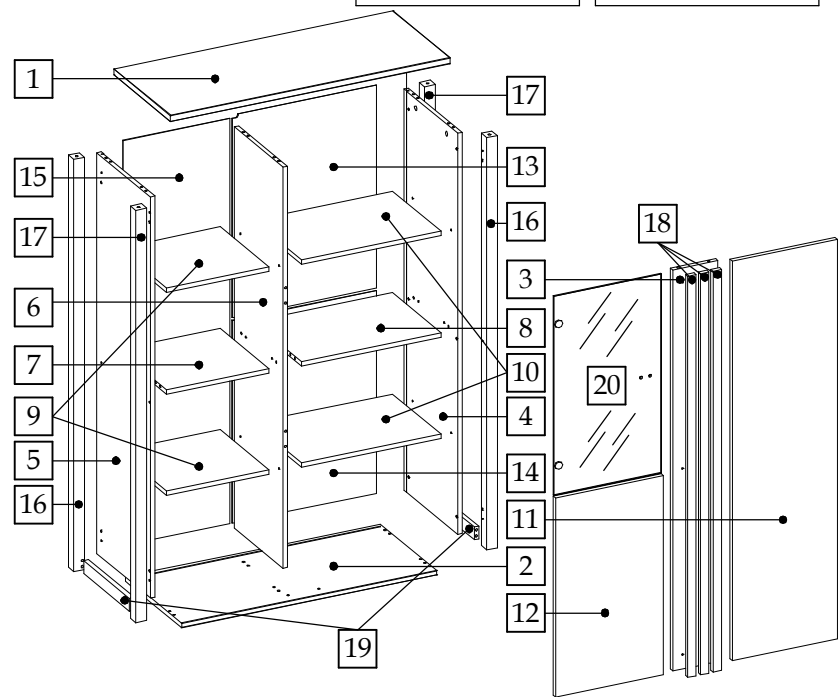
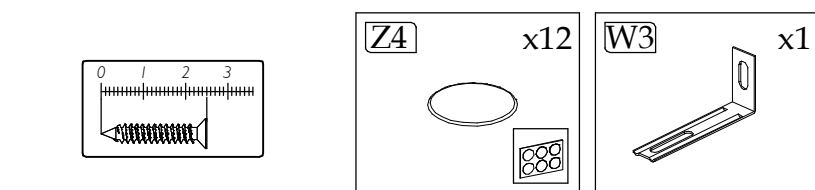
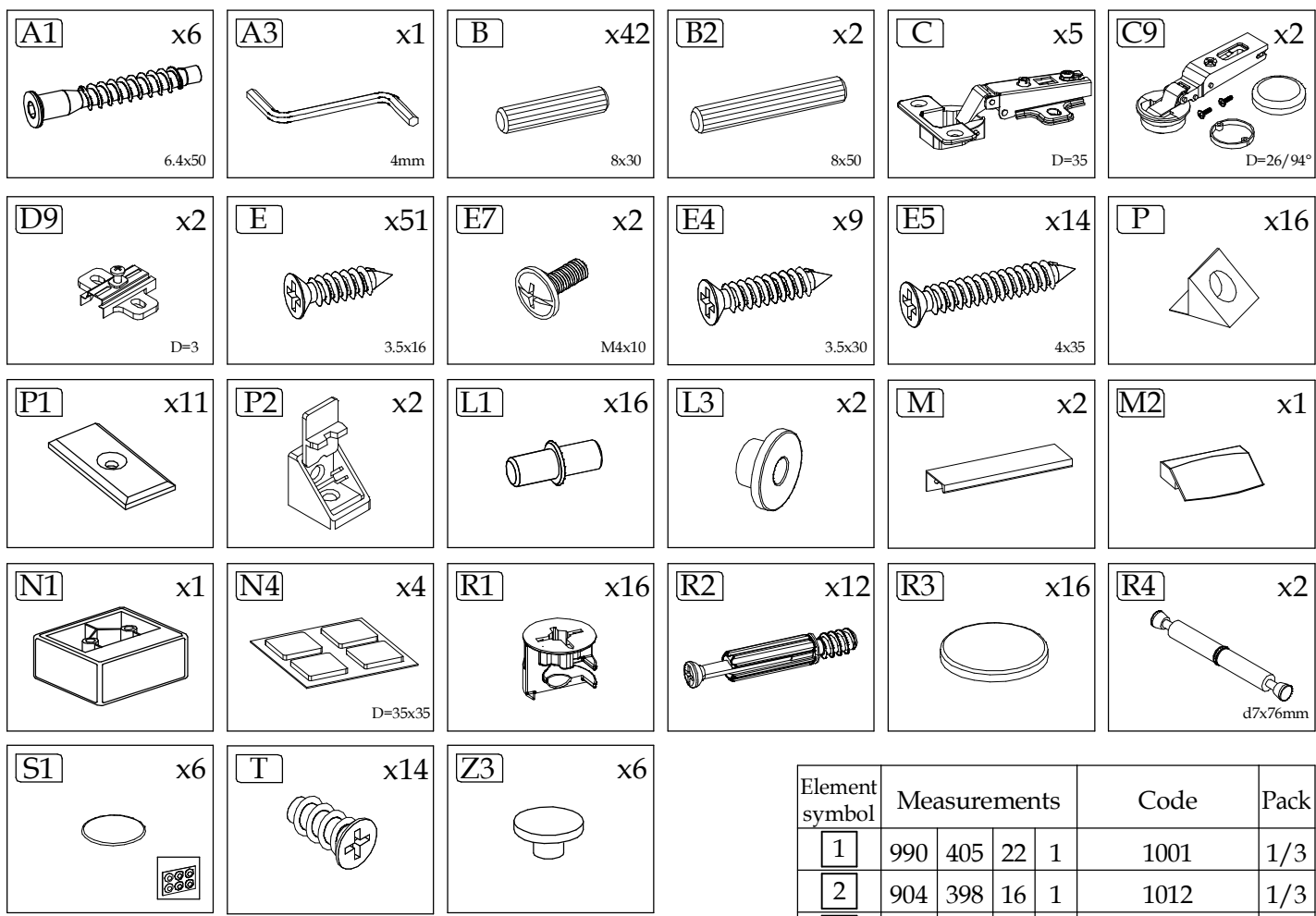
HELIX C



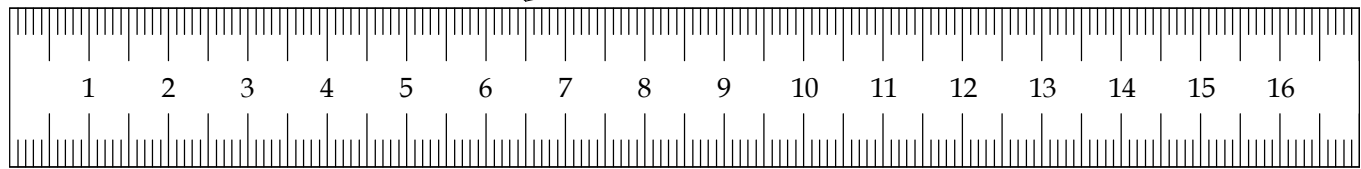
120 min

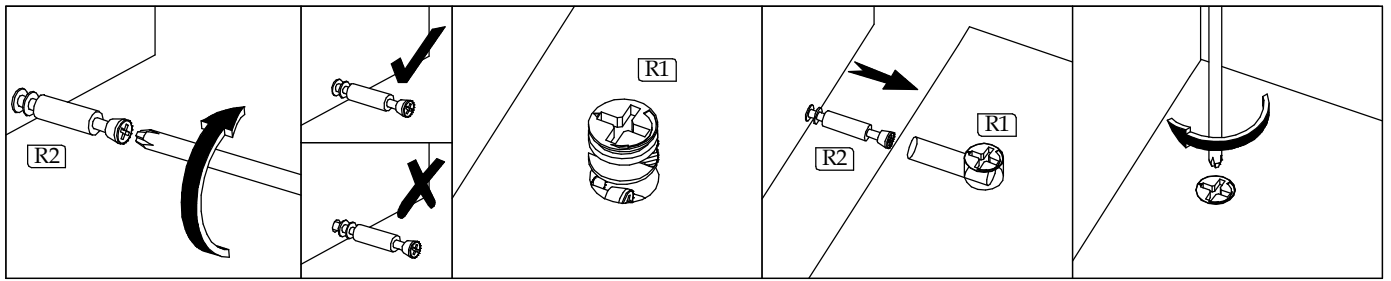




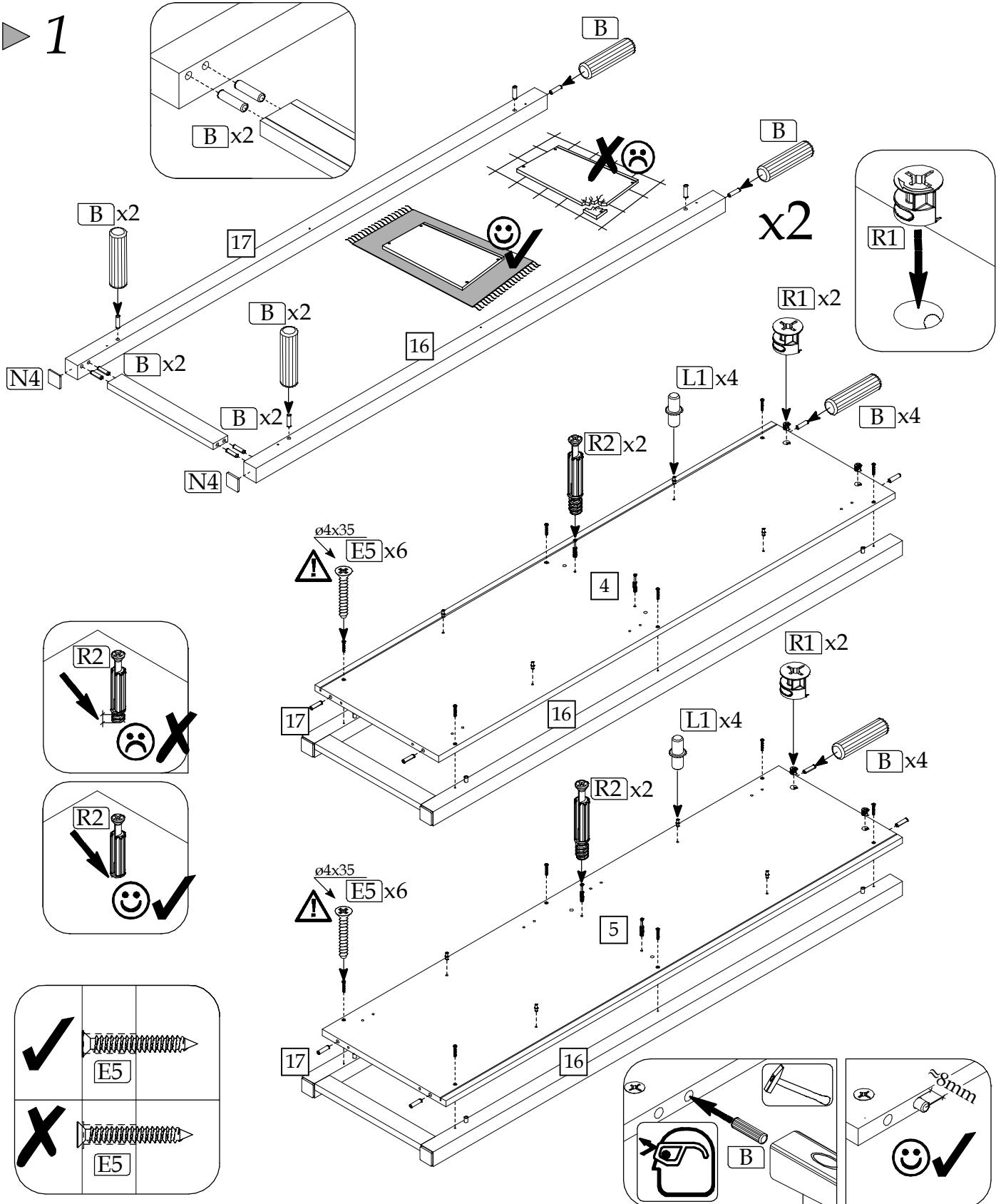


Element symbol	Measurements				Code	Pack
	1	2	3	4		
1	990	405	22	1	1001	1/3
2	904	398	16	1	1012	1/3
3	160	1394	16	1	1009	1/3
4	1394	378	16	1	1010	1/3
5	1394	378	16	1	1011	1/3
6	1394	344	16	1	1017	1/3
7	362	343	16	1	1014	1/3
8	494	343	16	1	1018	1/3
9	362	343	16	2	N/A	1/3
10	494	343	16	2	N/A	1/3
11	1388	372	16	1	1024	1/3
12	692	382	16	1	1026	1/3
13	704	509	3	1	1021_v	1/3
14	704	509	3	1	N/A	1/3
15	1408	377	3	1	N/A	1/3
16	1433	38	38	2	P38_1433x38_T1	2/3
17	1433	38	38	2	P38_1433x38_T2	2/3
18	1394	30	16	3	P16_1394x30x16	1/3
19	324	45	16	2	P16_324x45x16	1/3
20	692	382	4	1	Glass	3/3

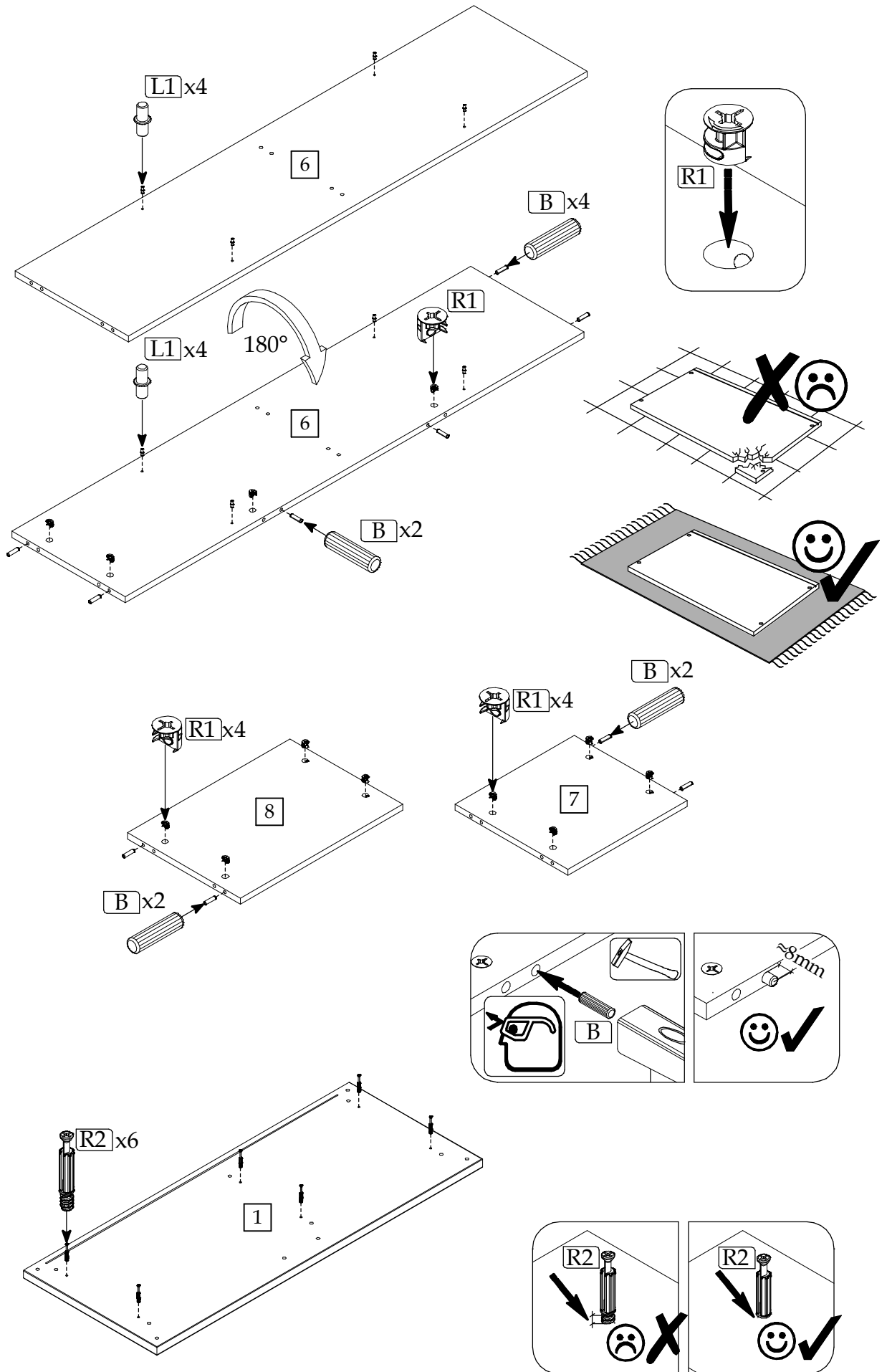




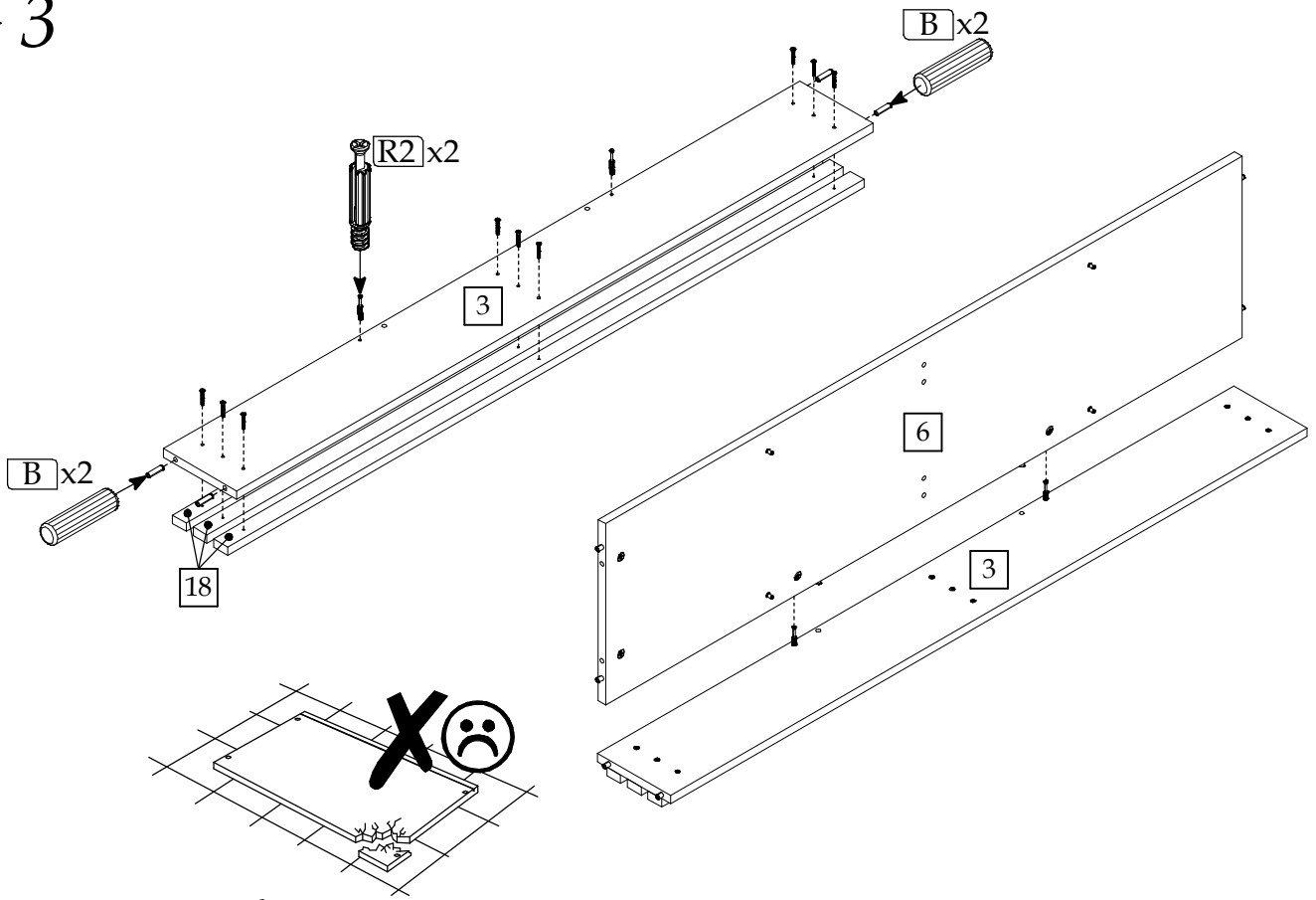
▶ 1



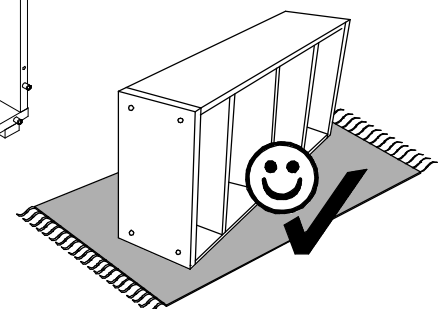
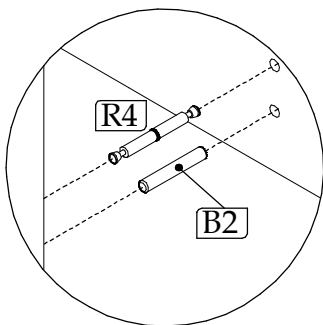
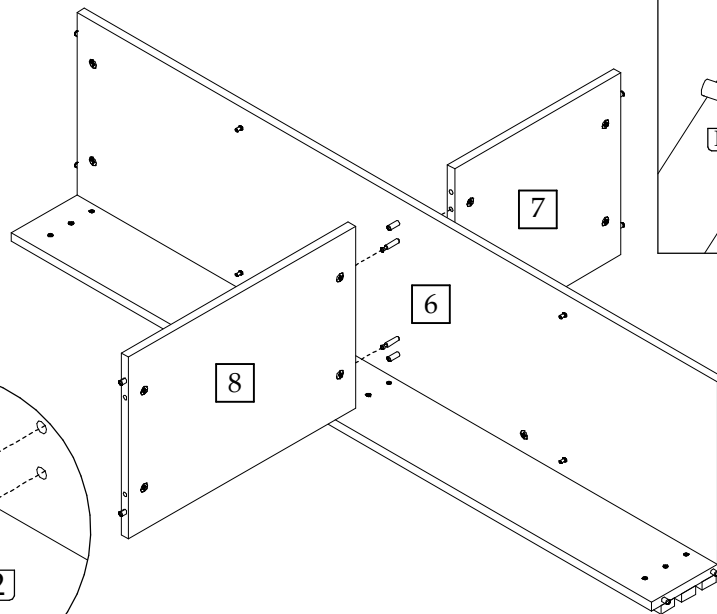
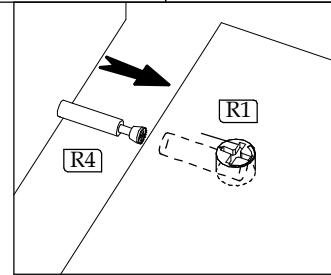
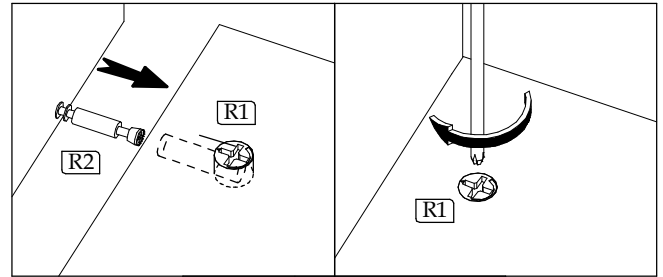
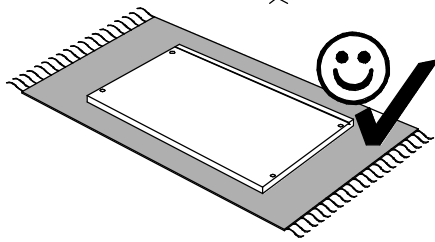
▶ 2



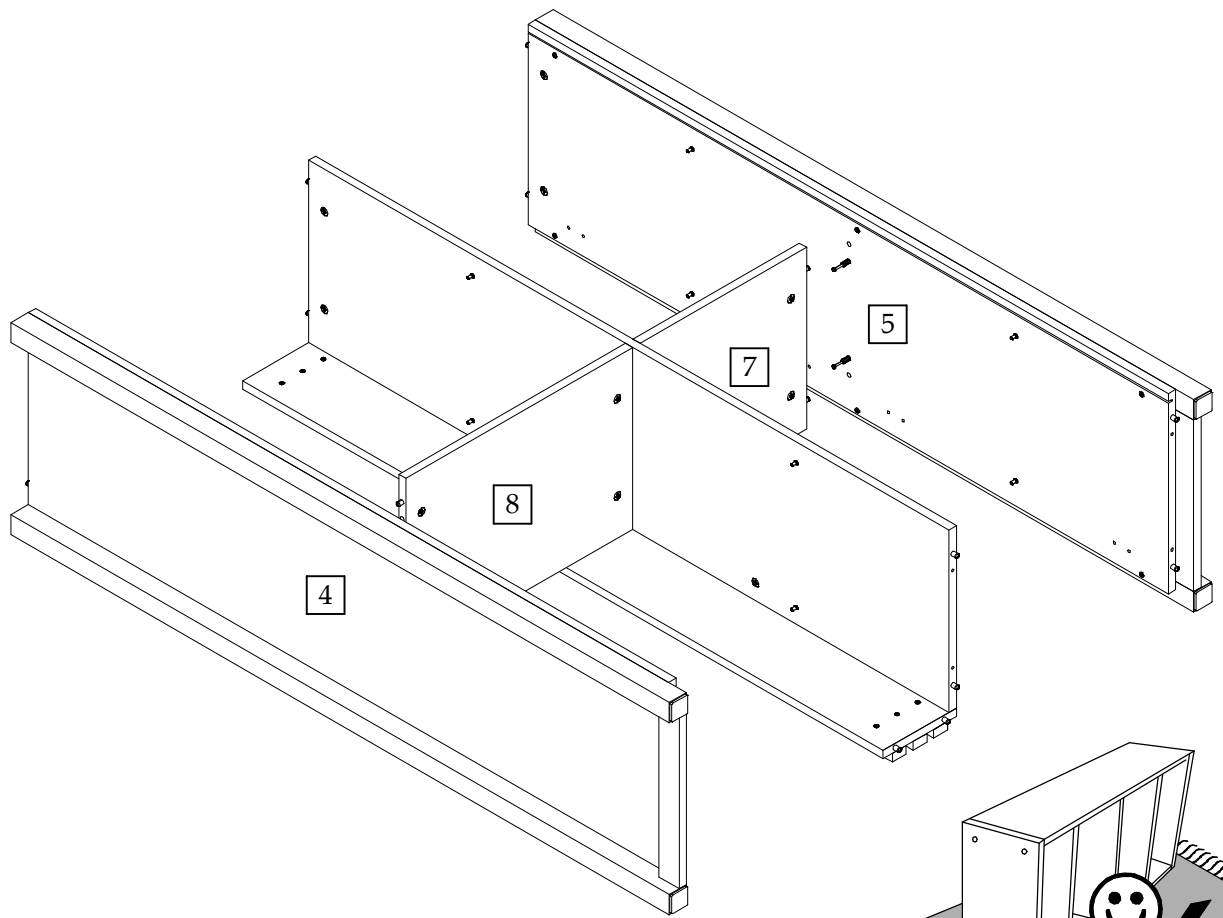
▶ 3



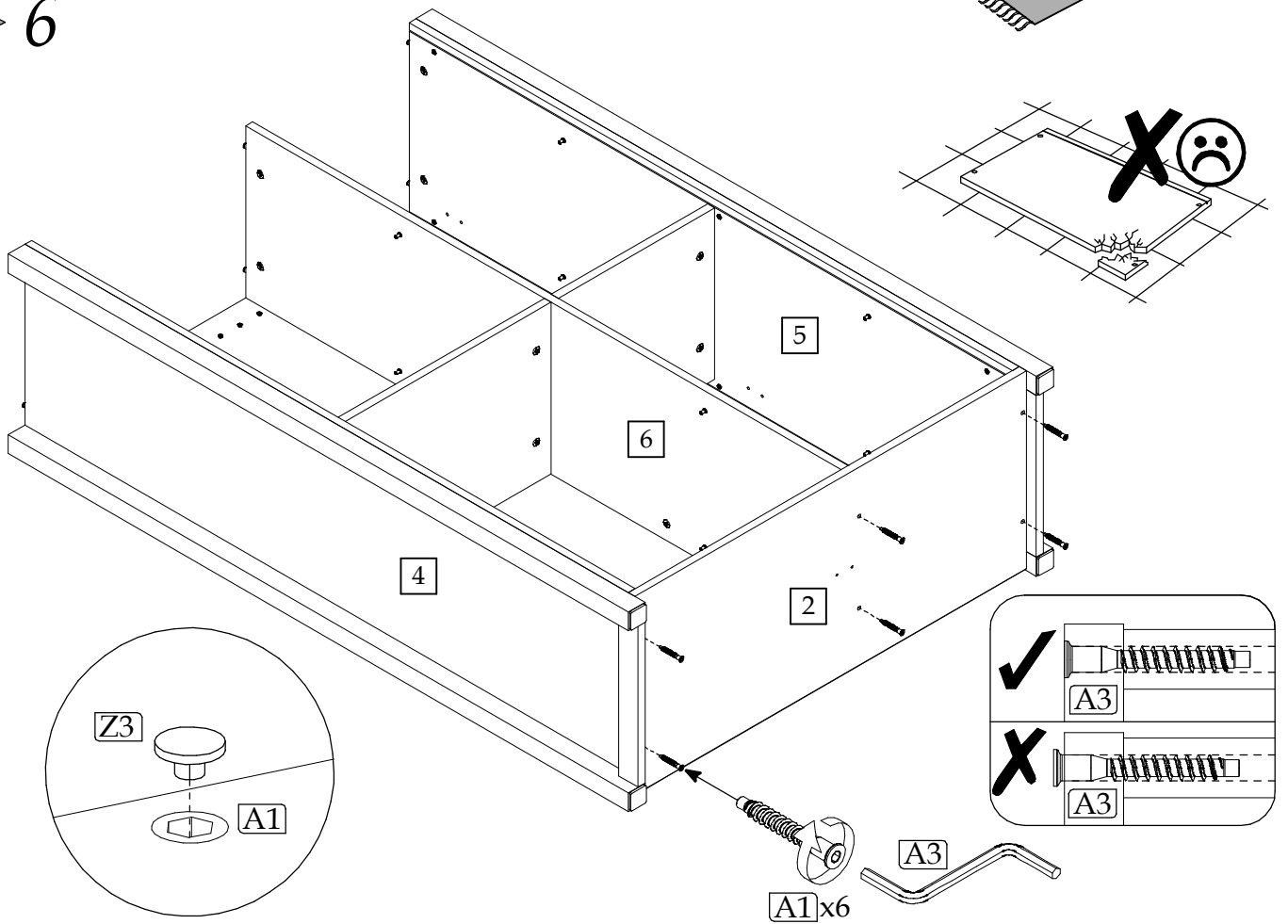
▶ 4



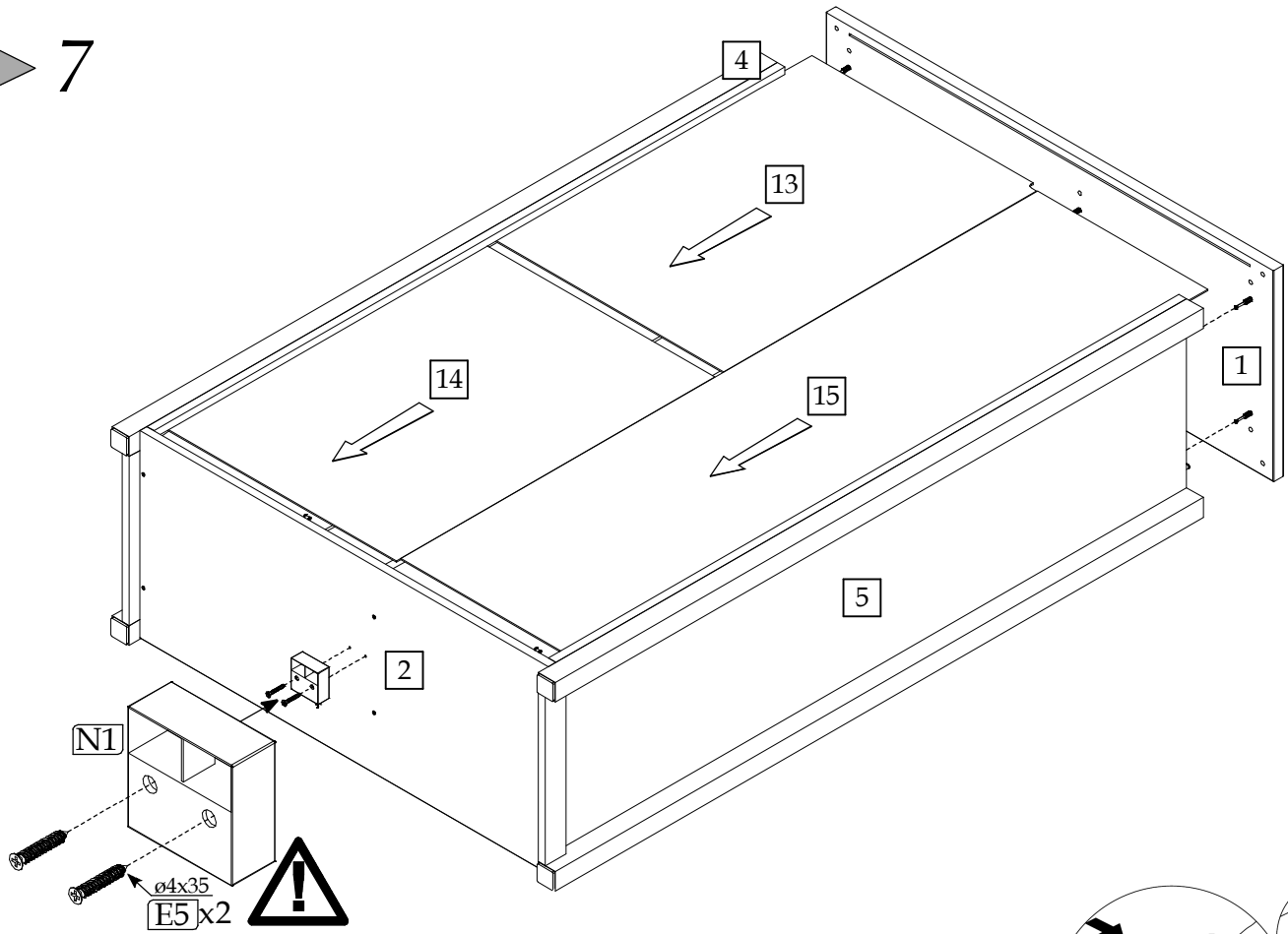
▶ 5



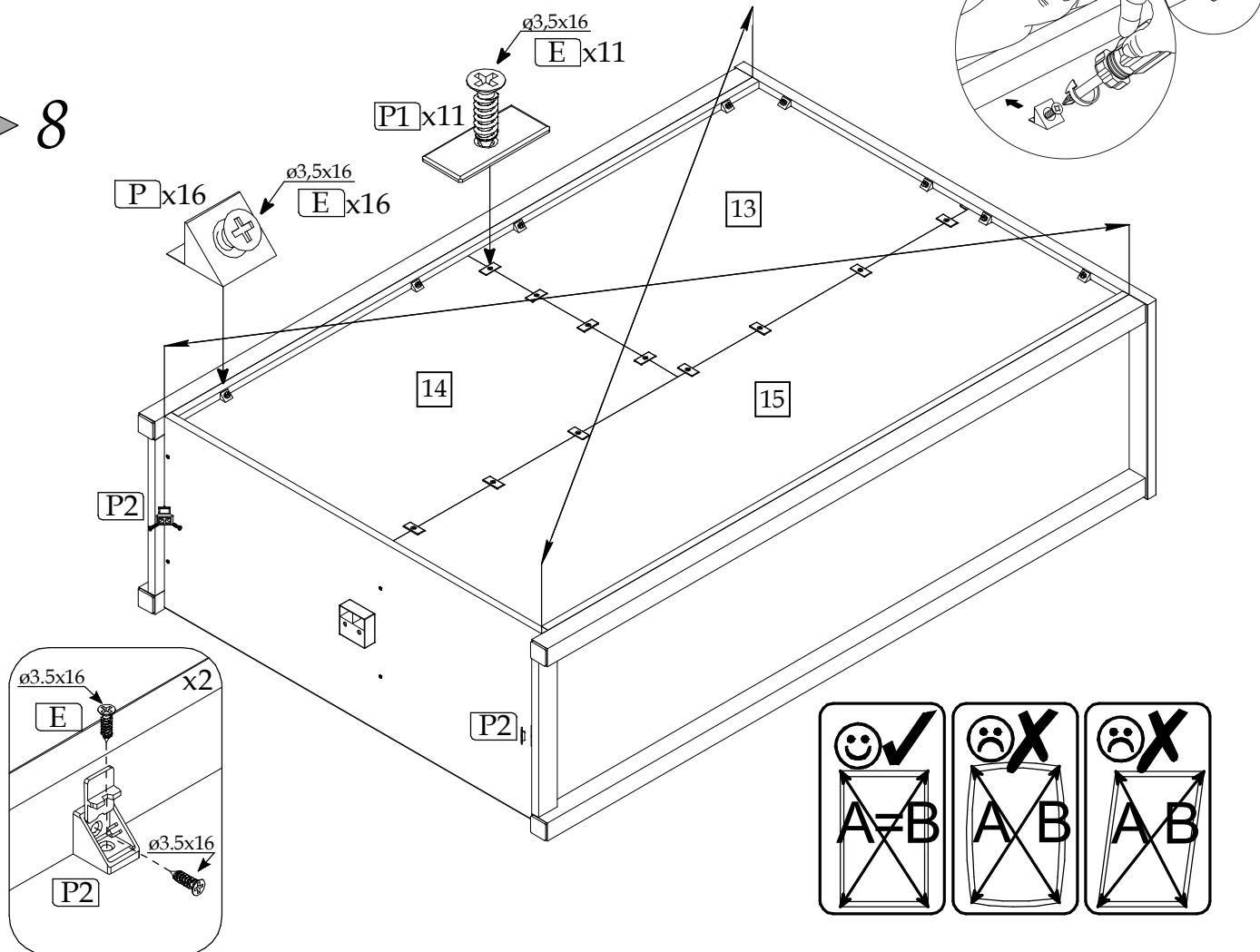
▶ 6



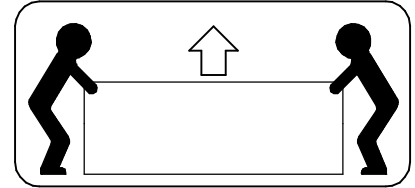
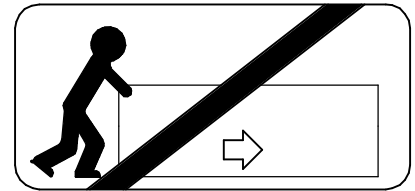
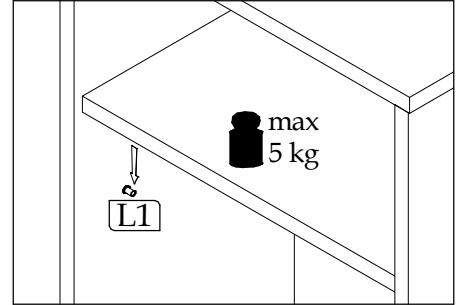
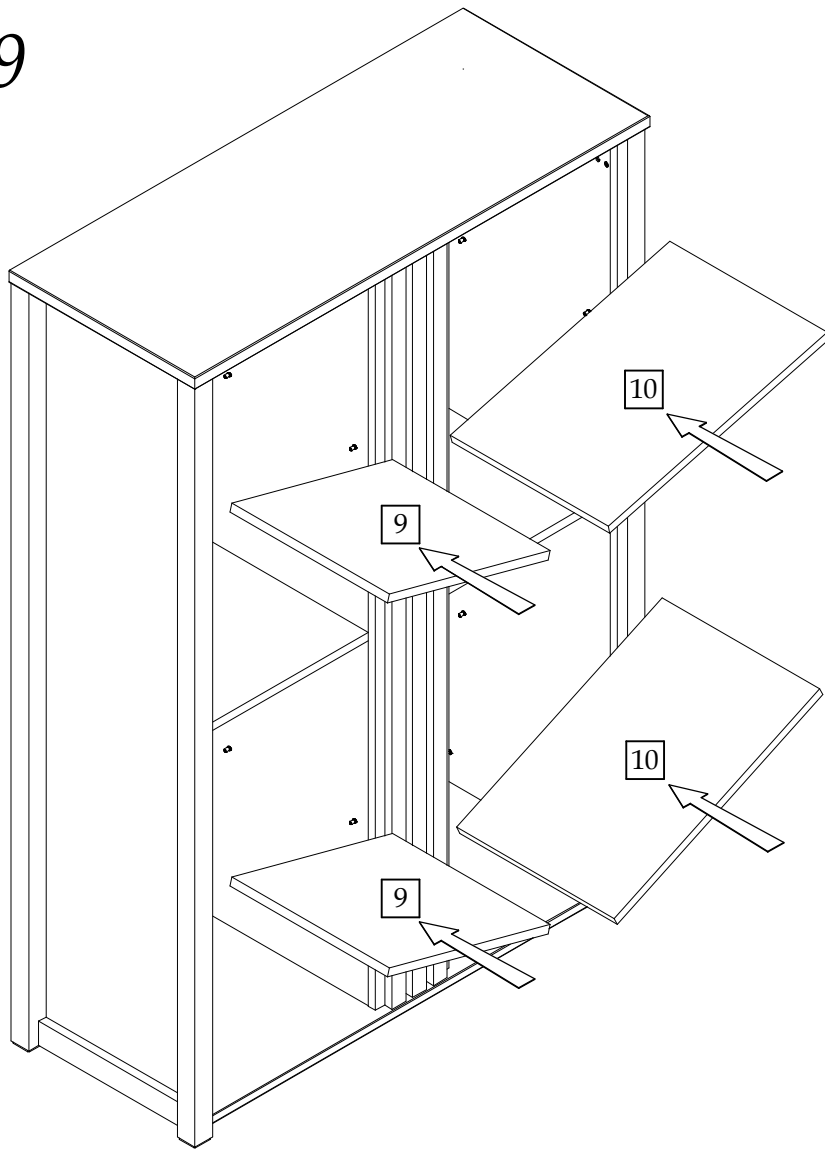
▶ 7



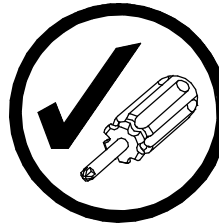
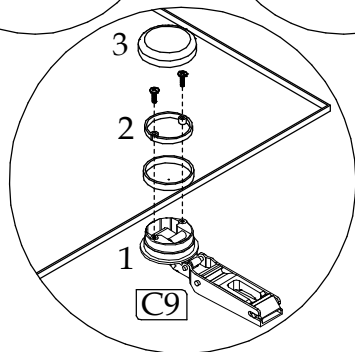
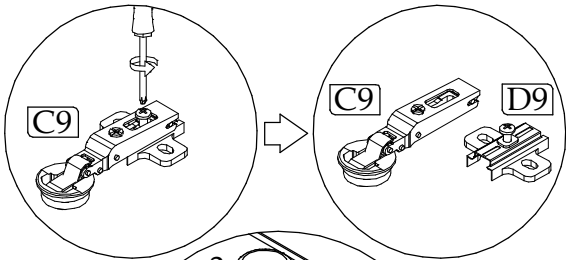
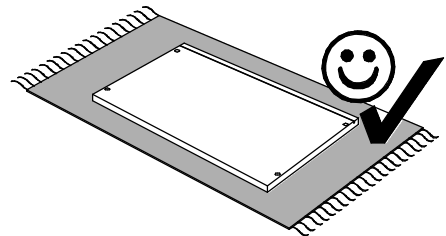
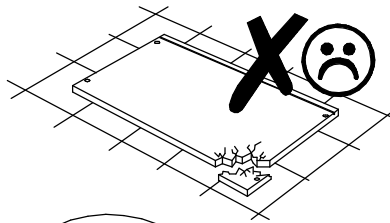
▶ 8



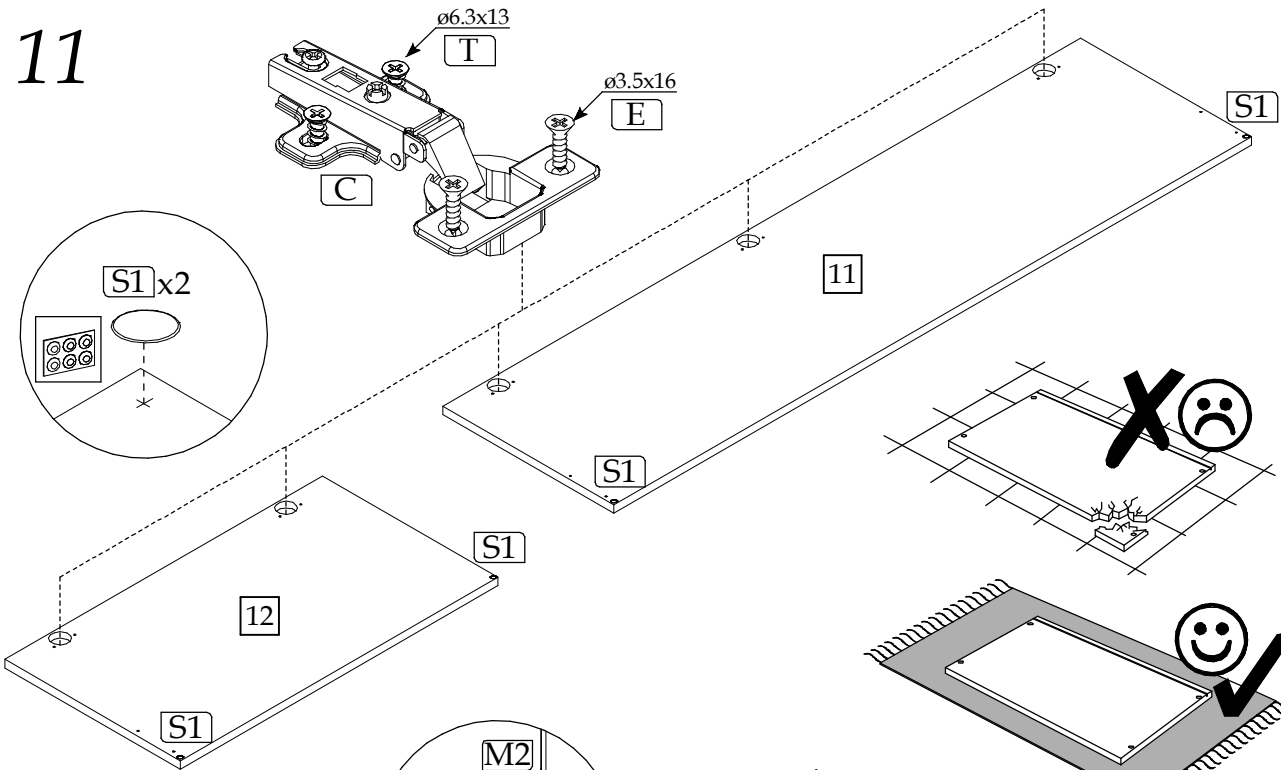
▶ 9



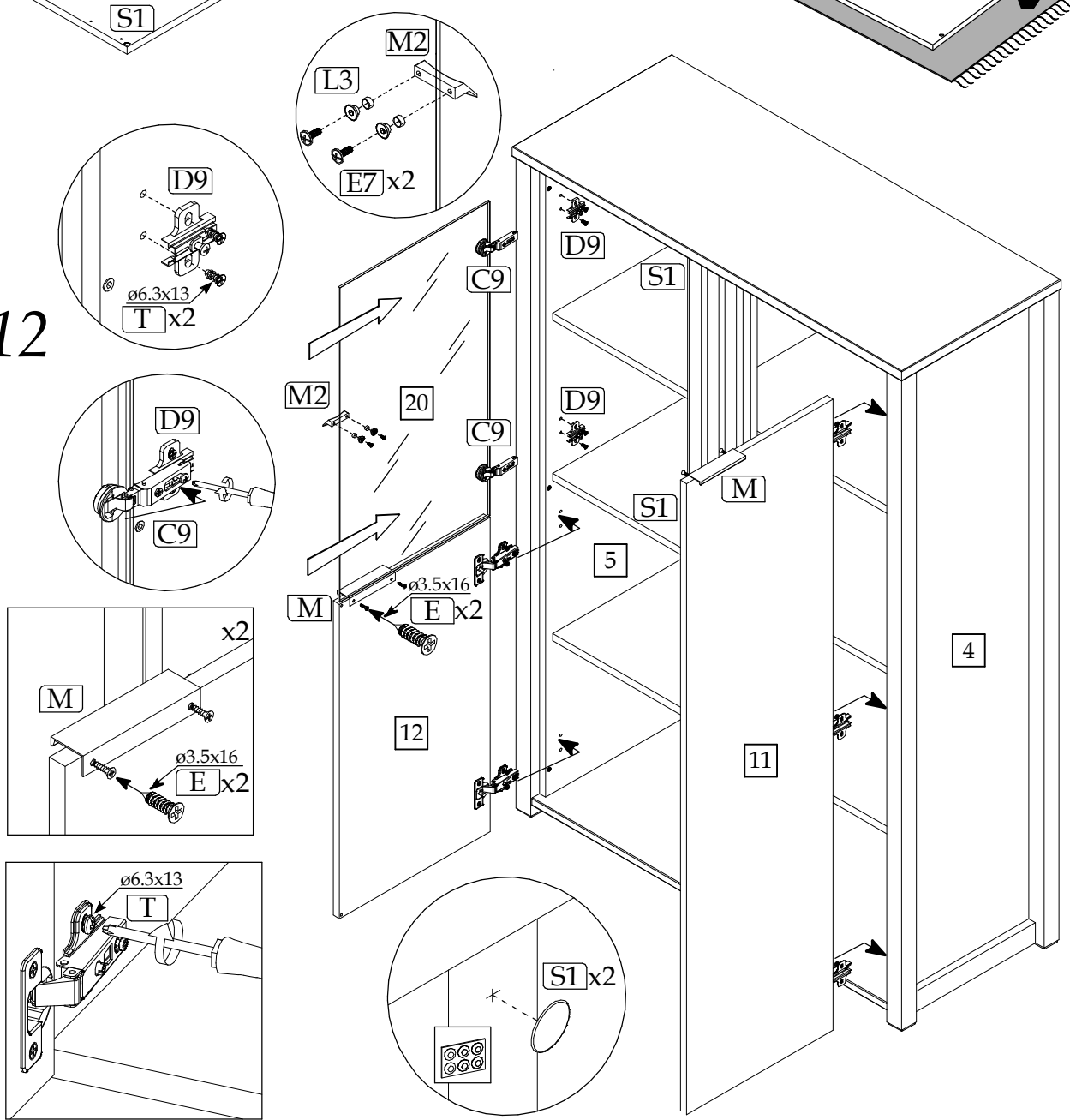
▶ 10



▶ 11



▶ 12



▶ 13

