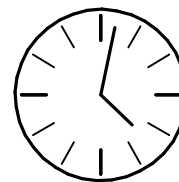
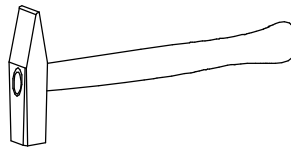
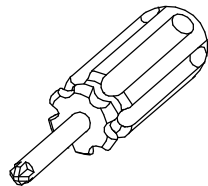
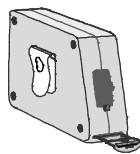
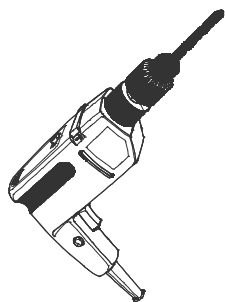
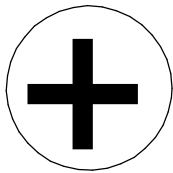
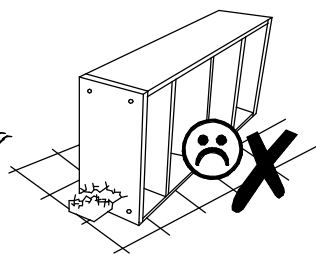
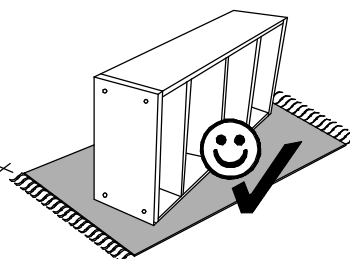
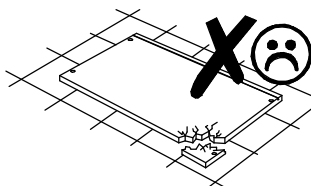
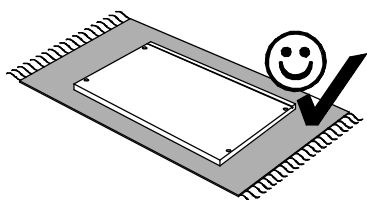
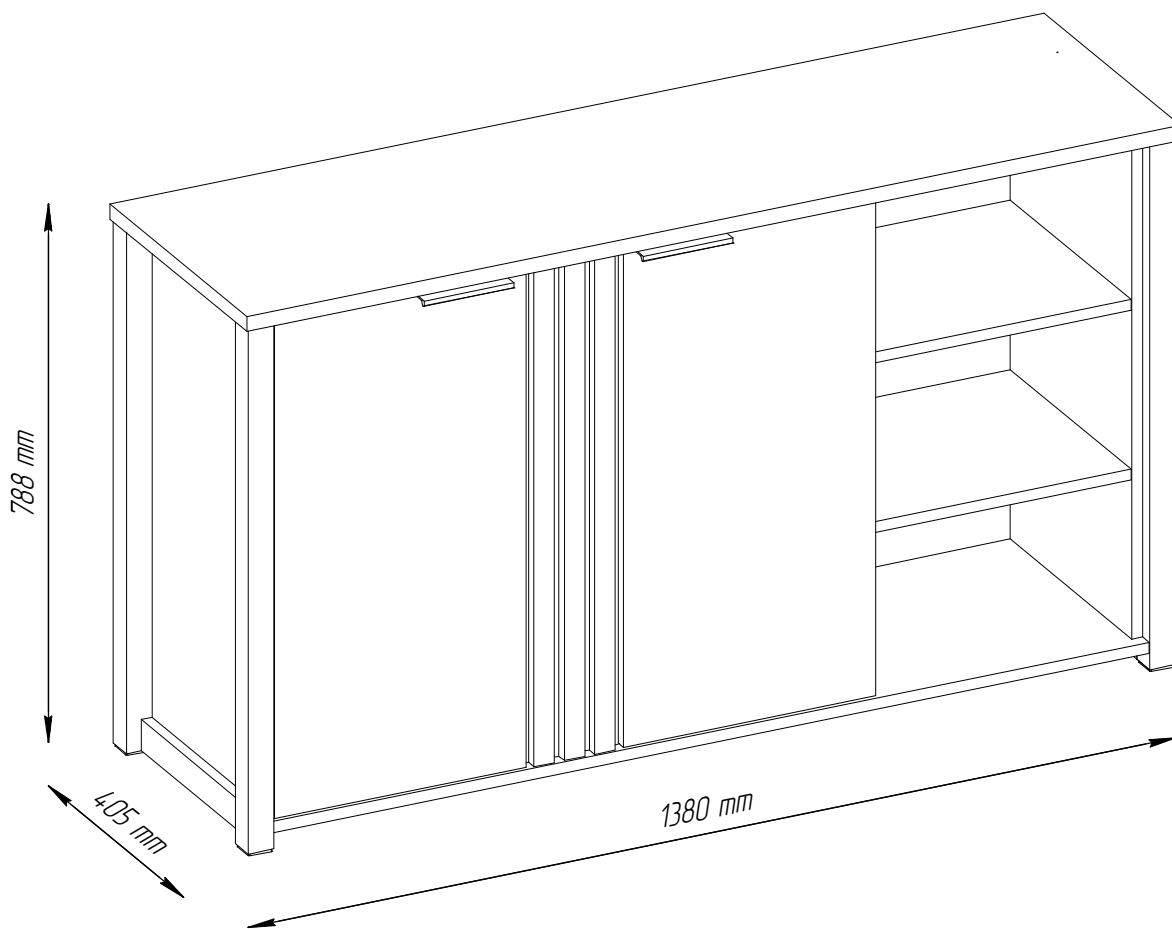
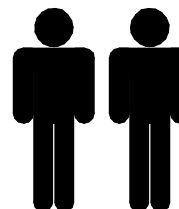
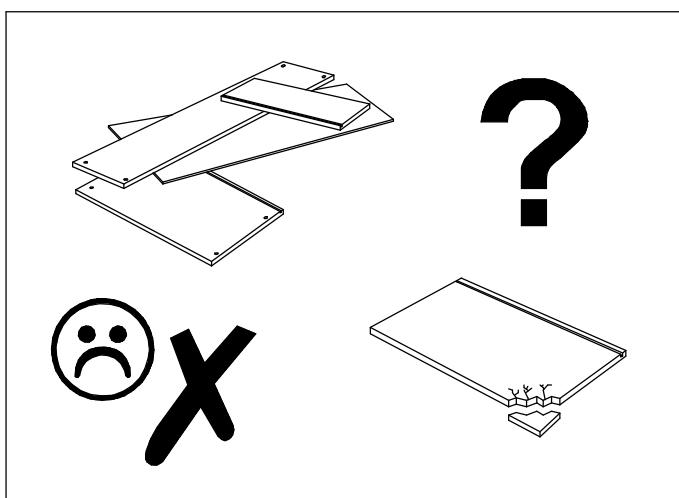
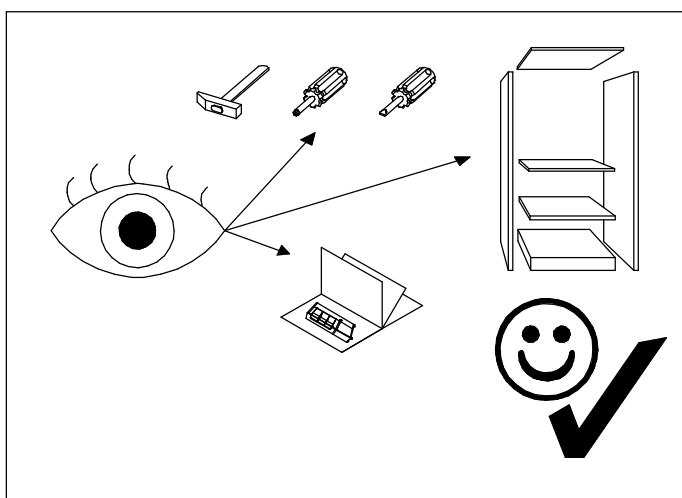
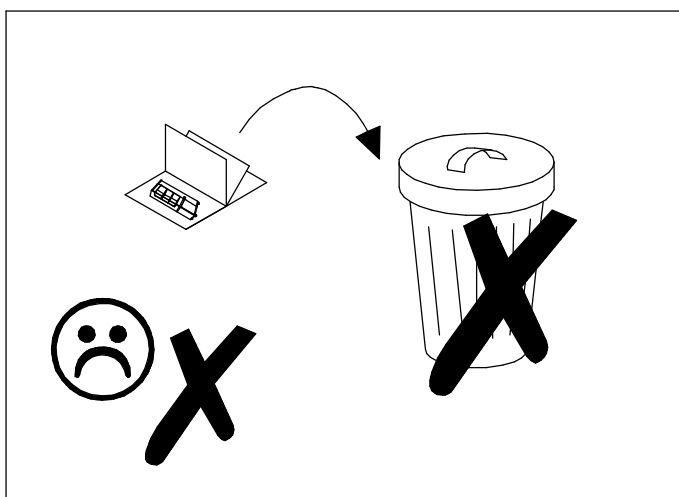
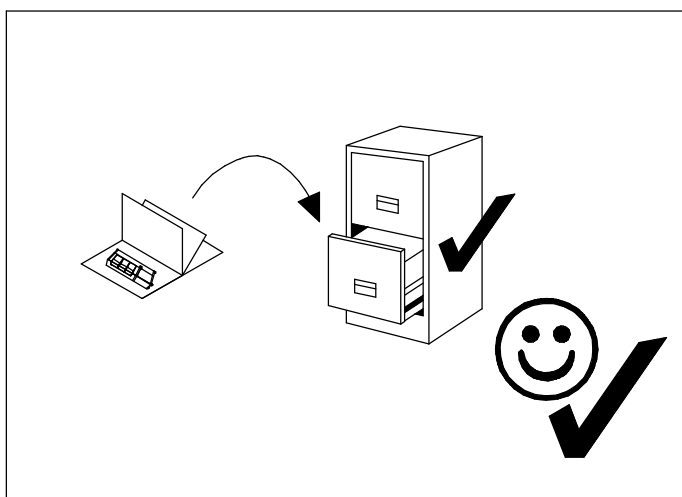
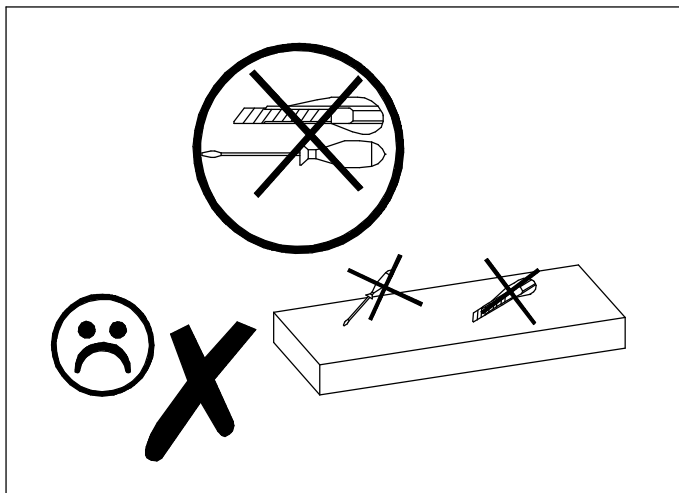
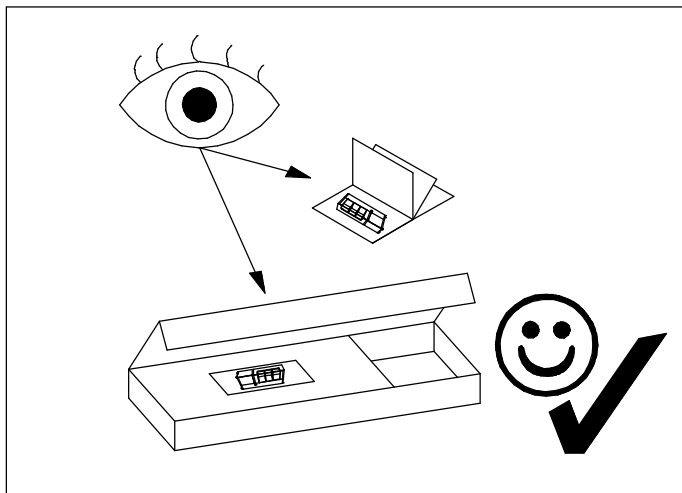


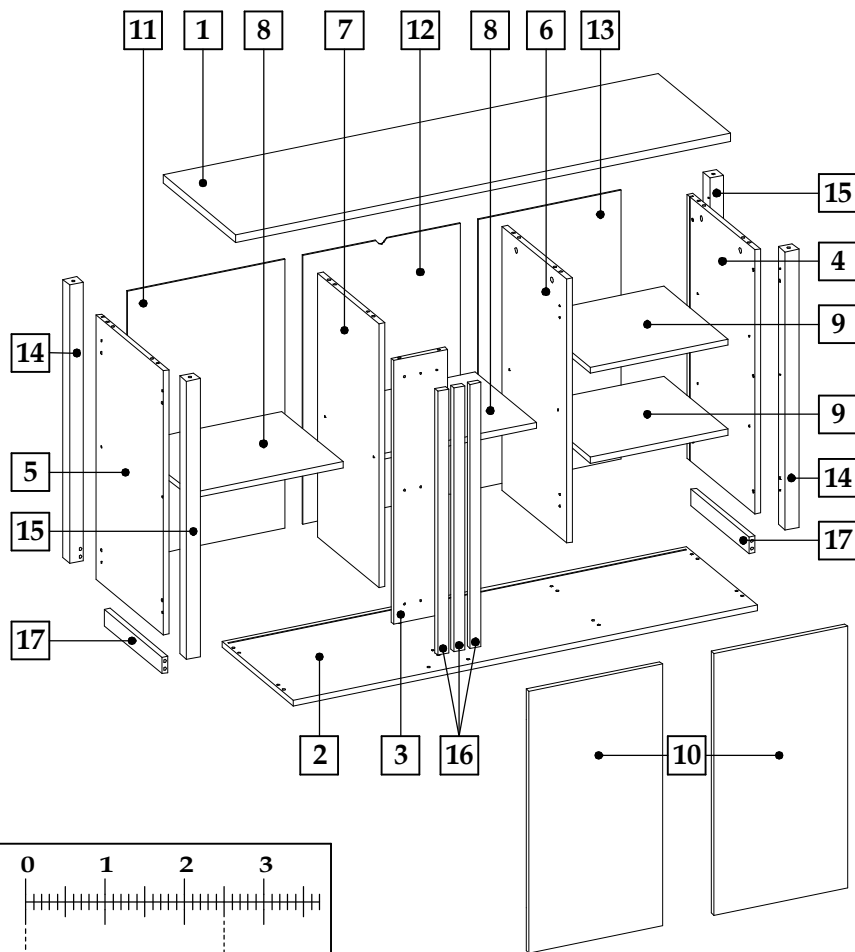
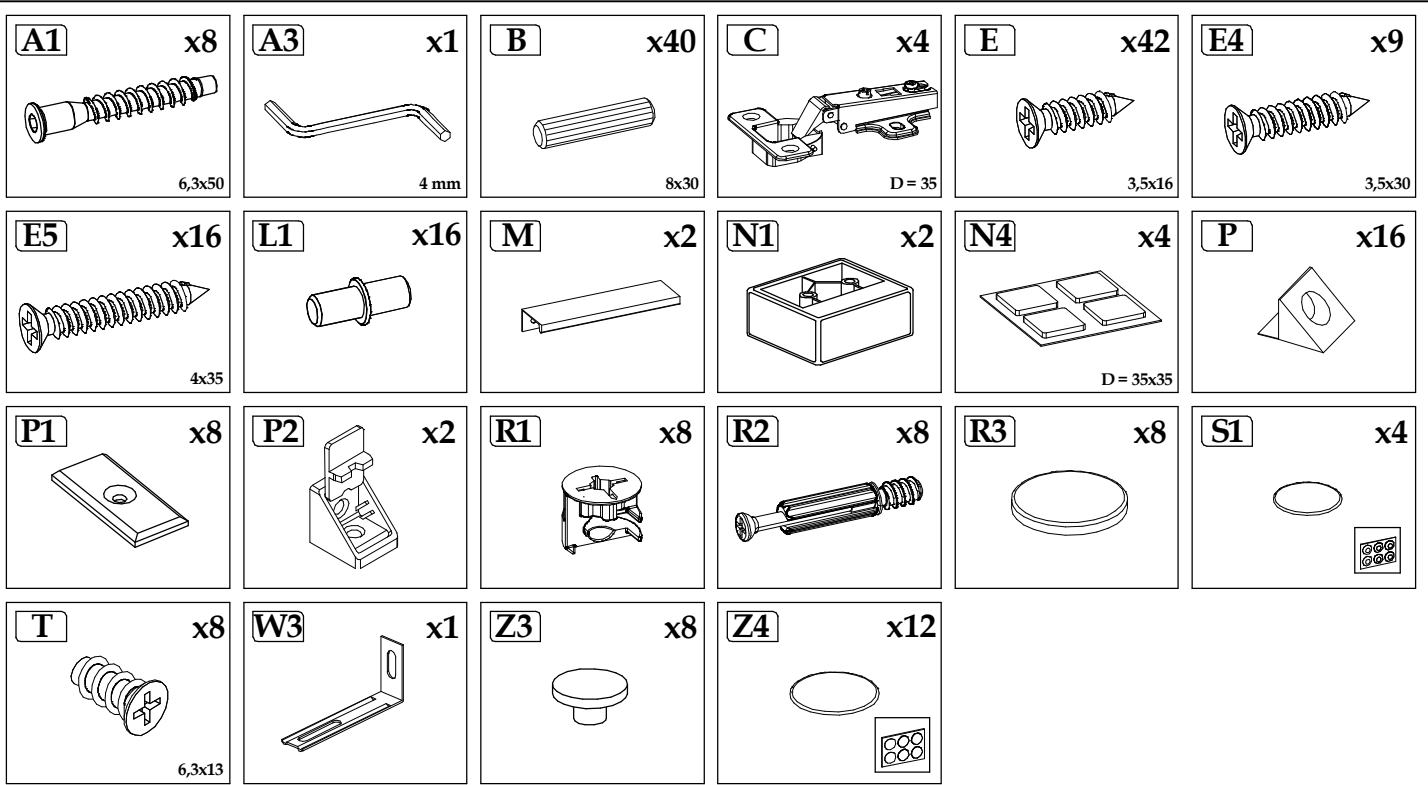
HELIX E



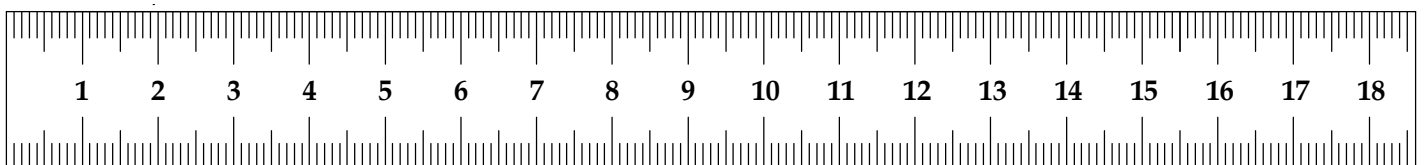
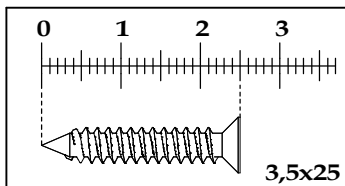
100 min

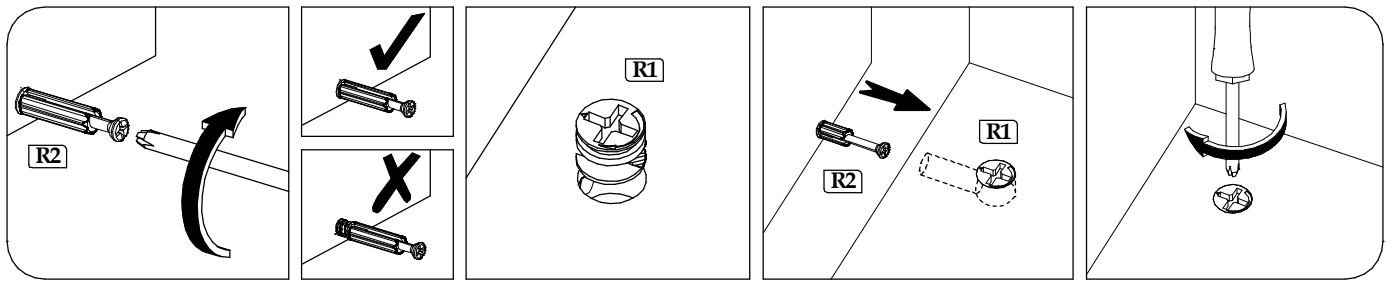




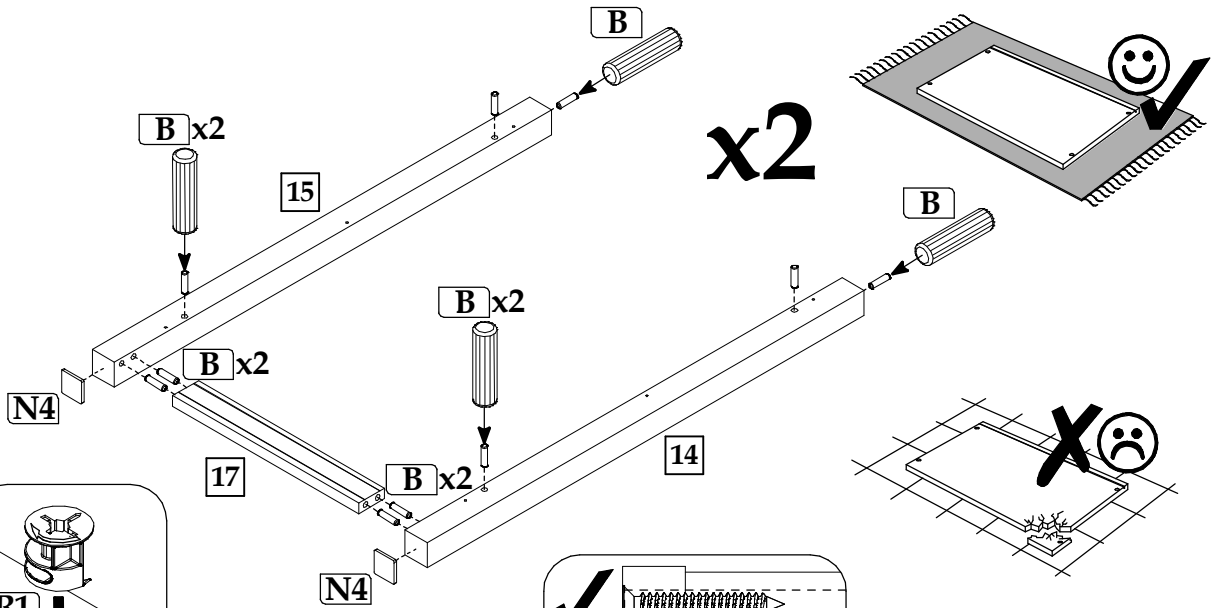
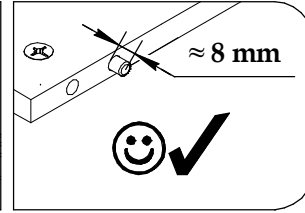
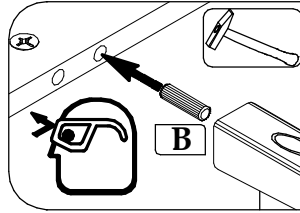
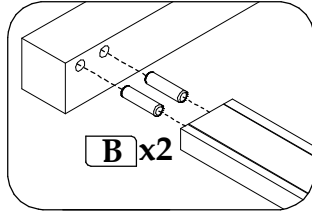


Element symbol	Measurements				Code	Pack
1	1380	405	22	1	1001	1/ 2
2	1294	398	16	1	1013	1/ 2
3	160	722	16	1	1009	1/ 2
4	722	397	16	1	1011	2/ 2
5	722	378	16	1	1012	2/ 2
6	722	360	16	1	1018	2/ 2
7	722	344	16	1	1016	2/ 2
8	423	343	16	2	N/ A	1/ 2
9	384	359	16	2	N/ A	1/ 2
10	716	372	16	1	1005/ 1010	1/ 2
11	736	438	3	1	N/ A	2/ 2
12	736	438	3	1	1051_v	2/ 2
13	736	399	3	1	N/ A	2/ 2
14	761	38	38	2	P38_761x38_T1	1/ 2
15	761	38	38	2	P38_761x38_T2	1/ 2
16	722	30	16	3	P16_722x30x16	1/ 2
17	324	45	16	2	P16_324x45x16	1/ 2

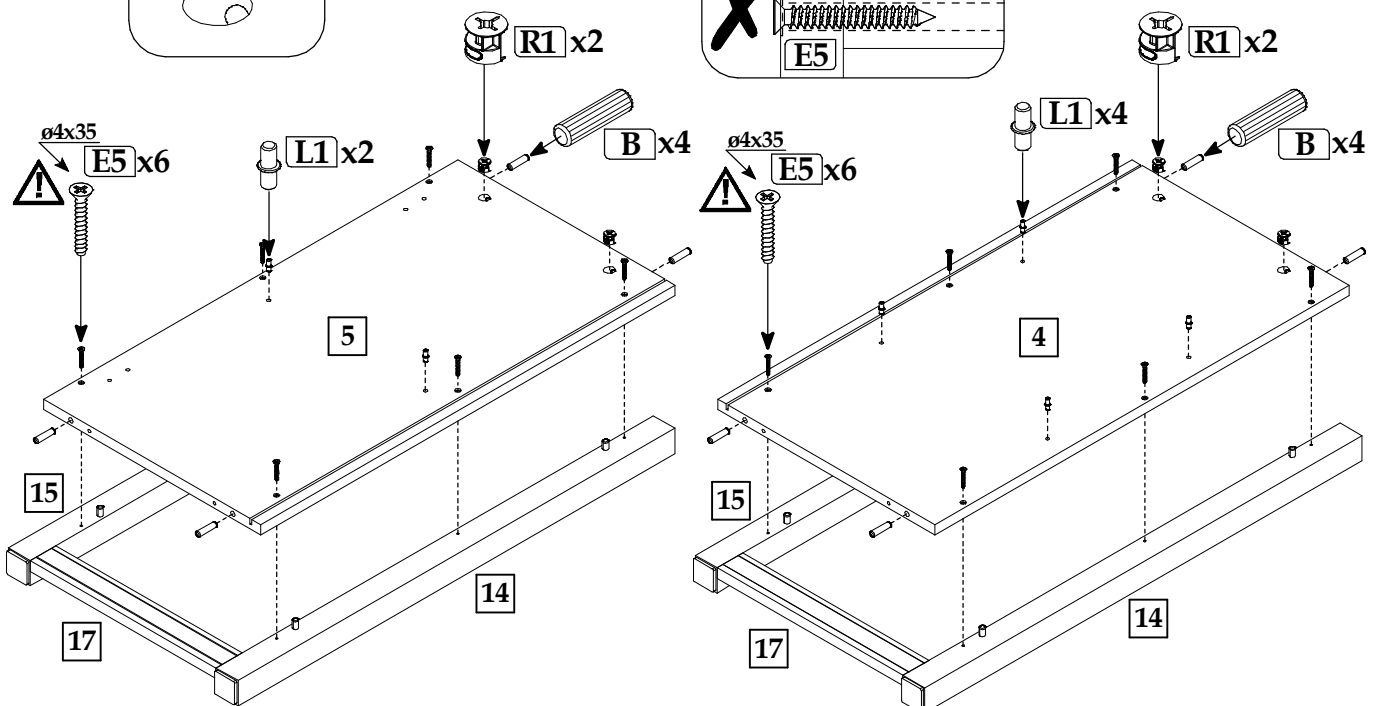
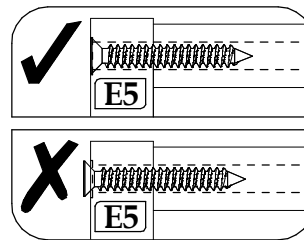
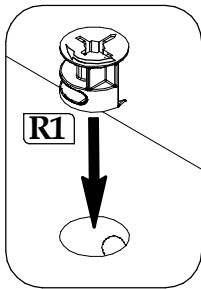




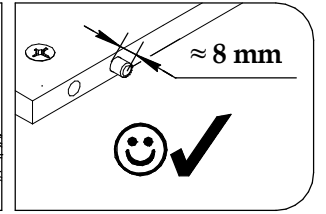
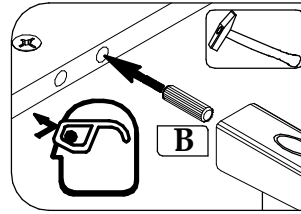
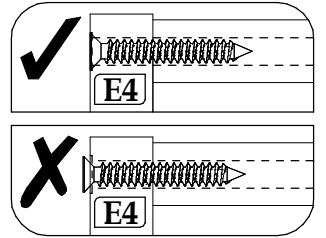
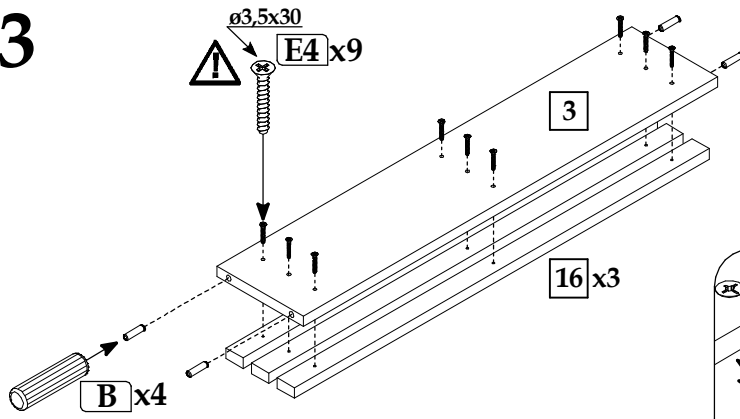
▶ 1



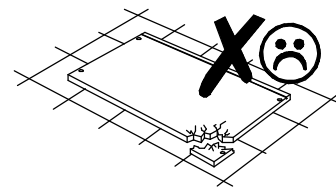
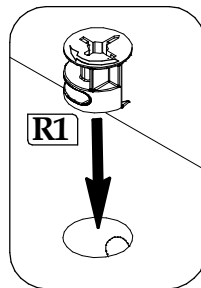
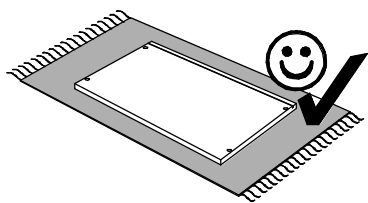
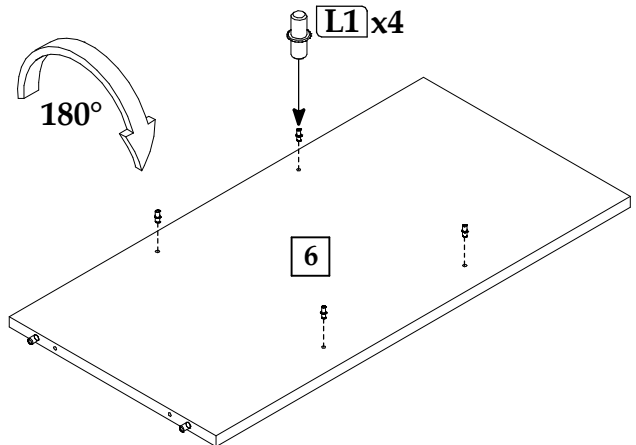
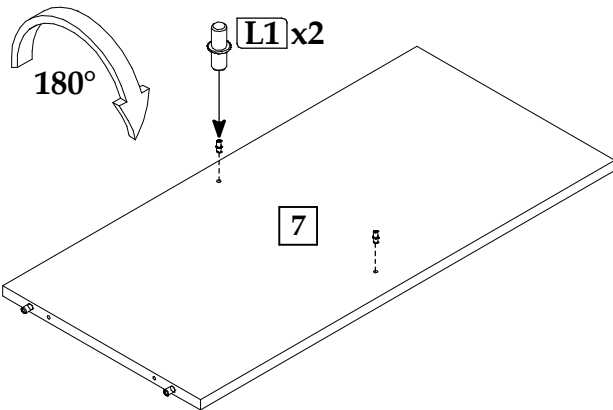
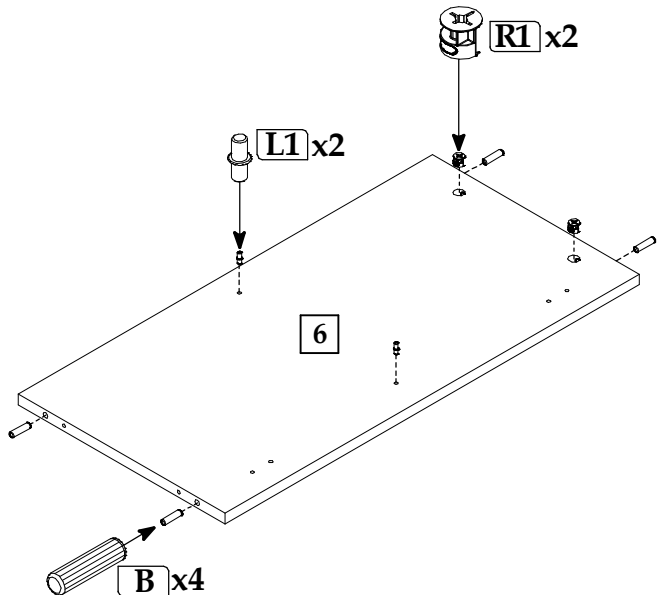
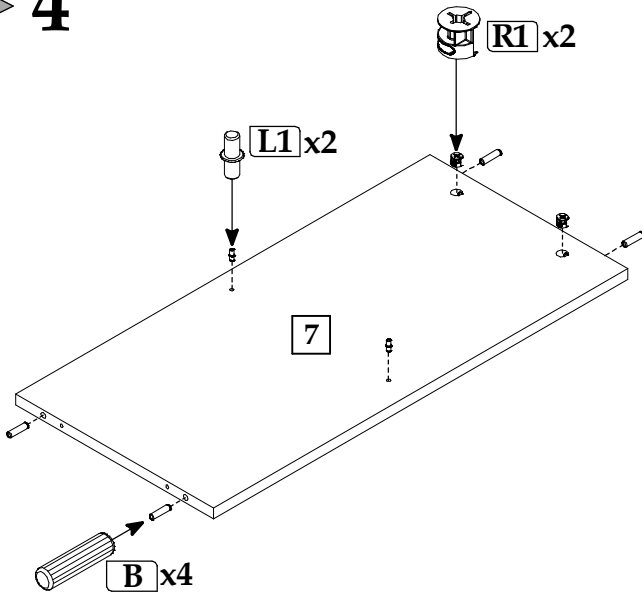
▶ 2



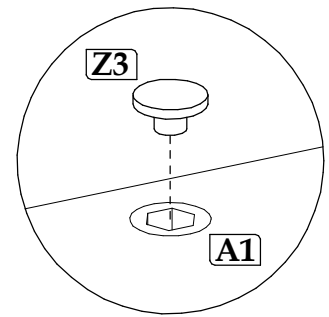
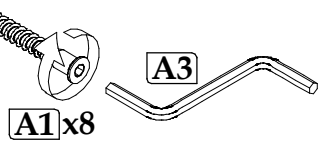
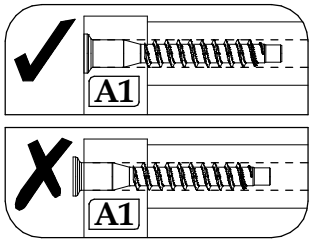
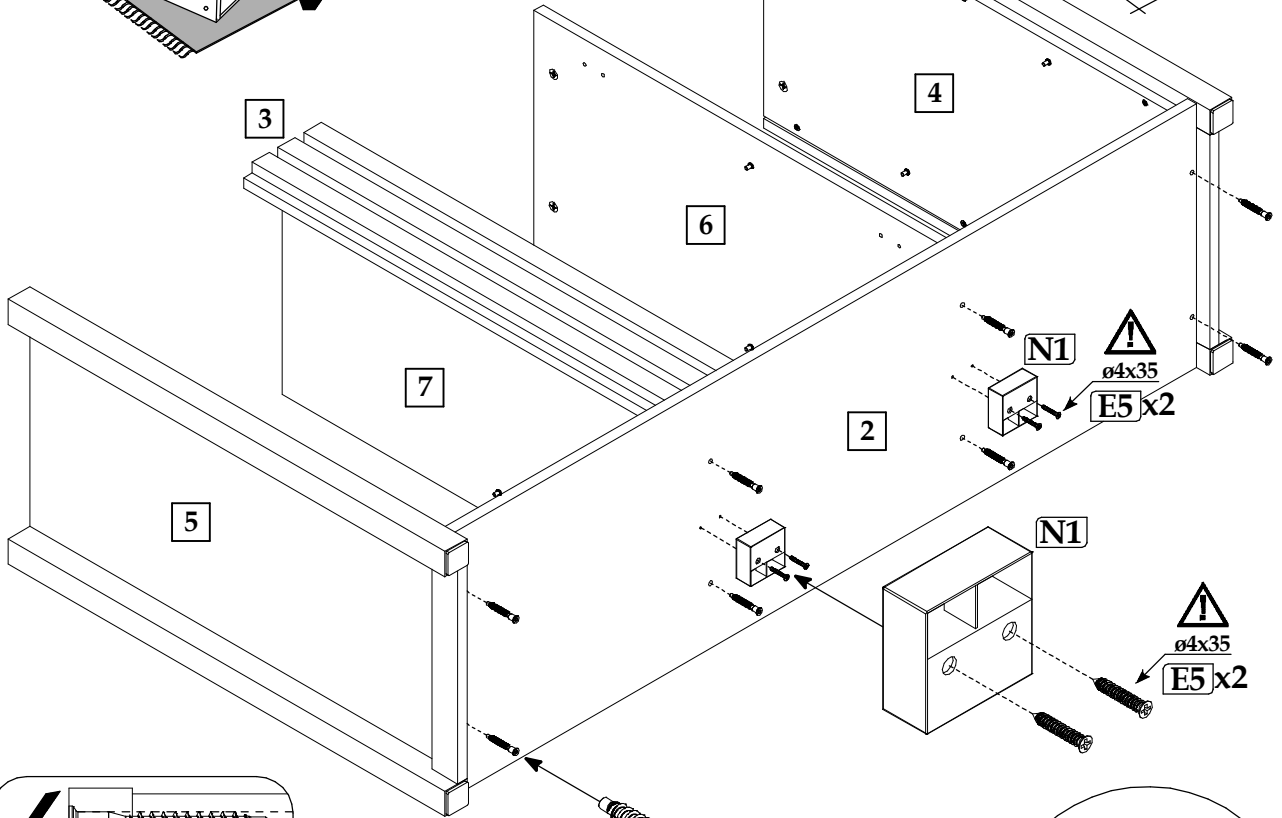
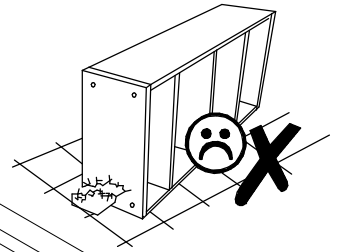
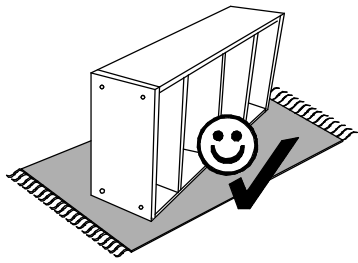
▶ 3



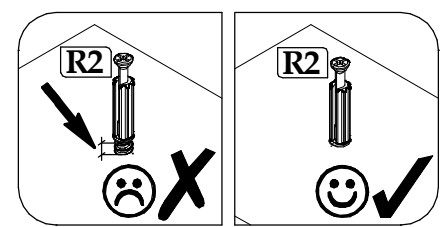
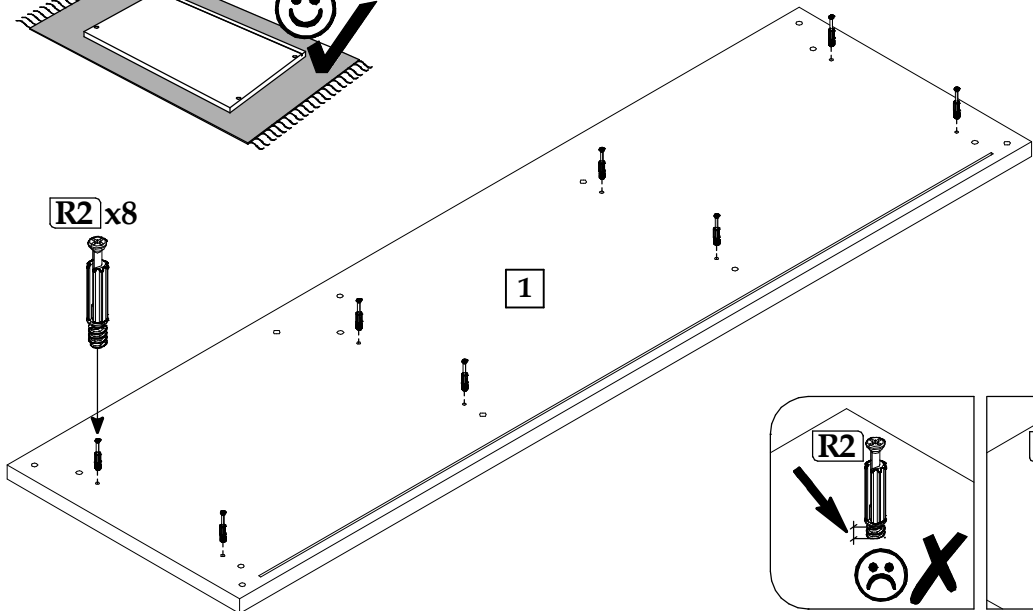
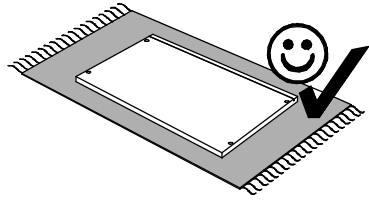
▶ 4



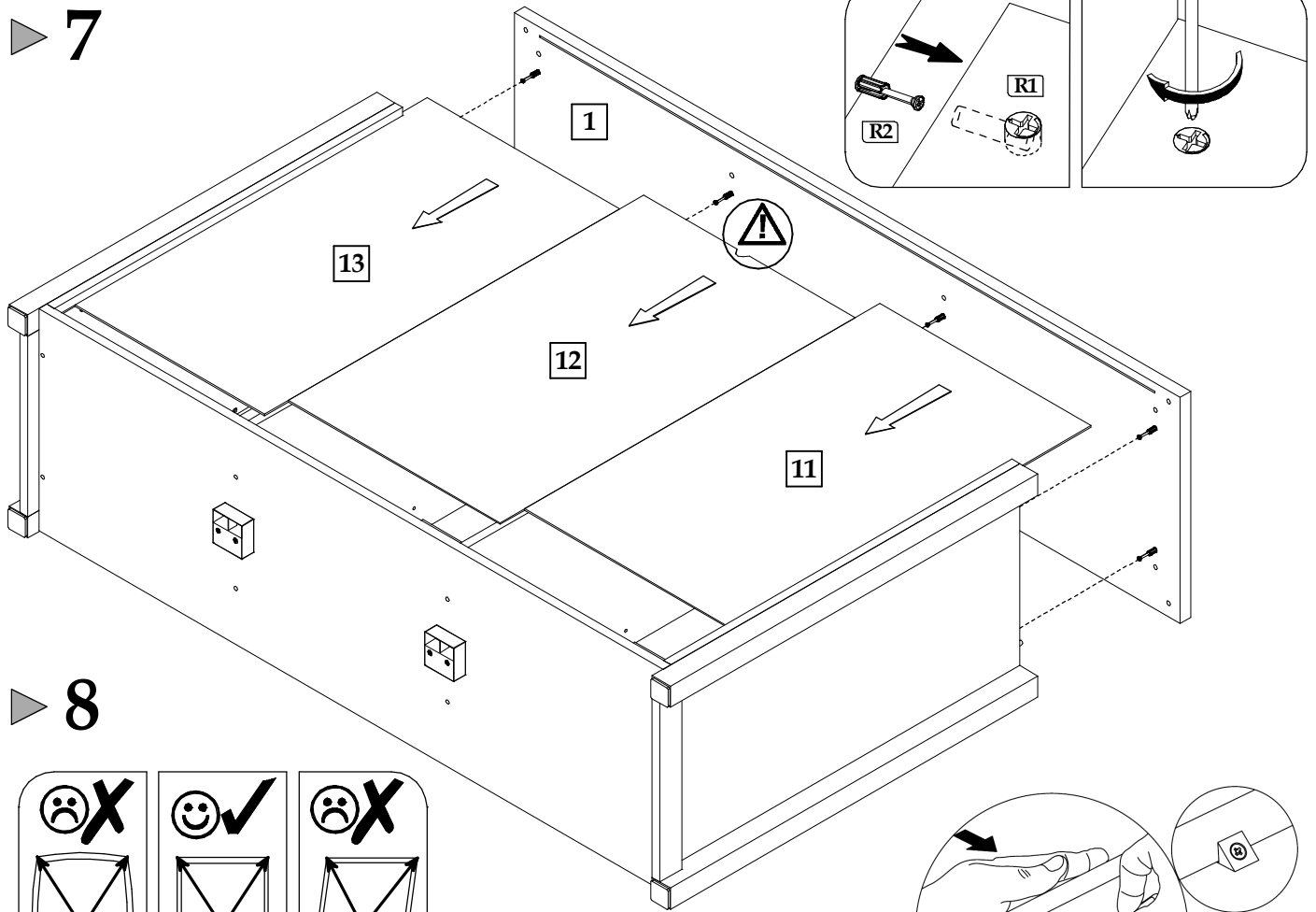
▶ 5



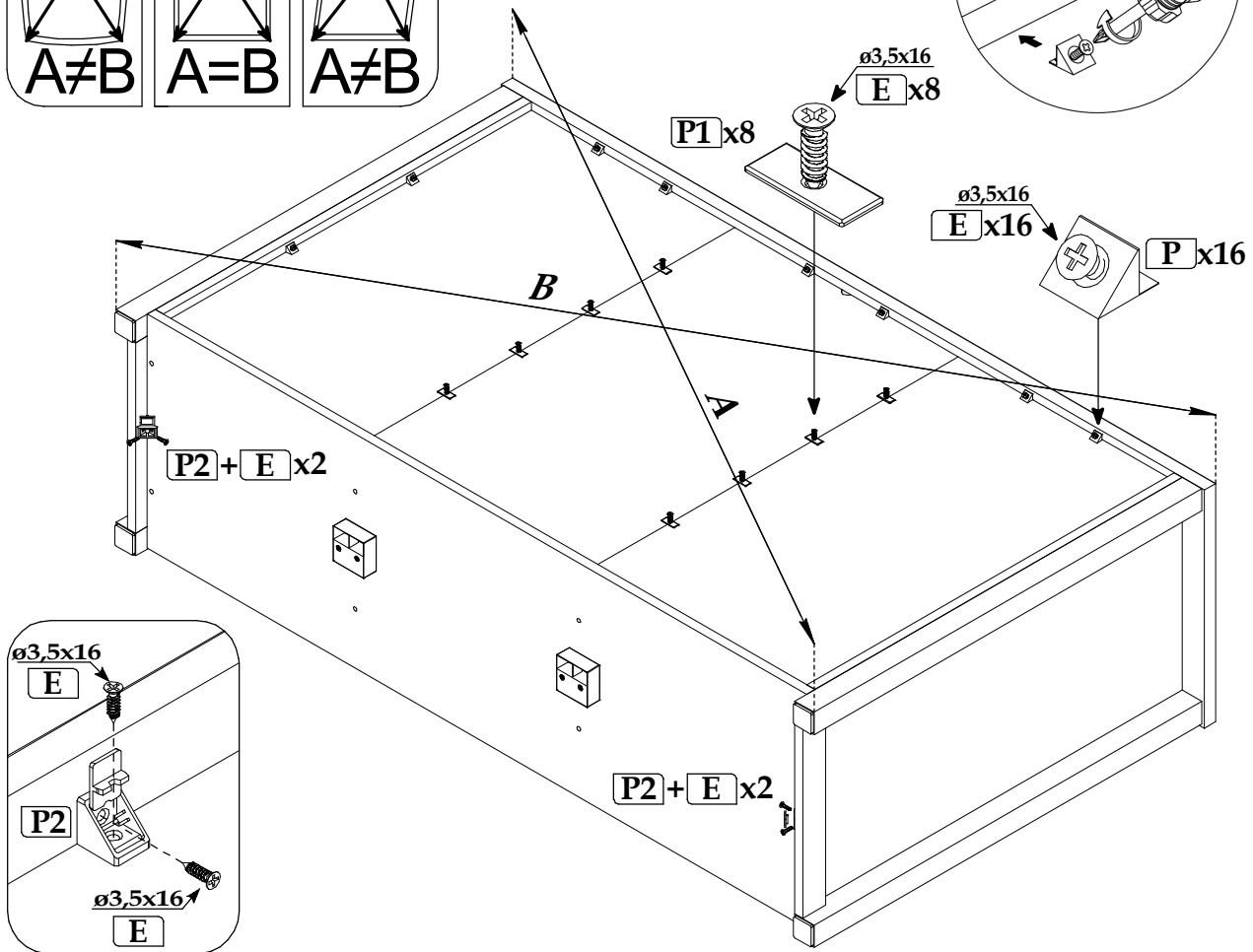
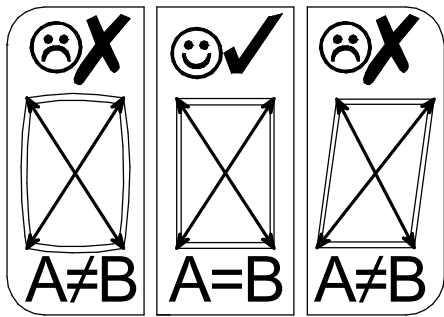
▶ 6



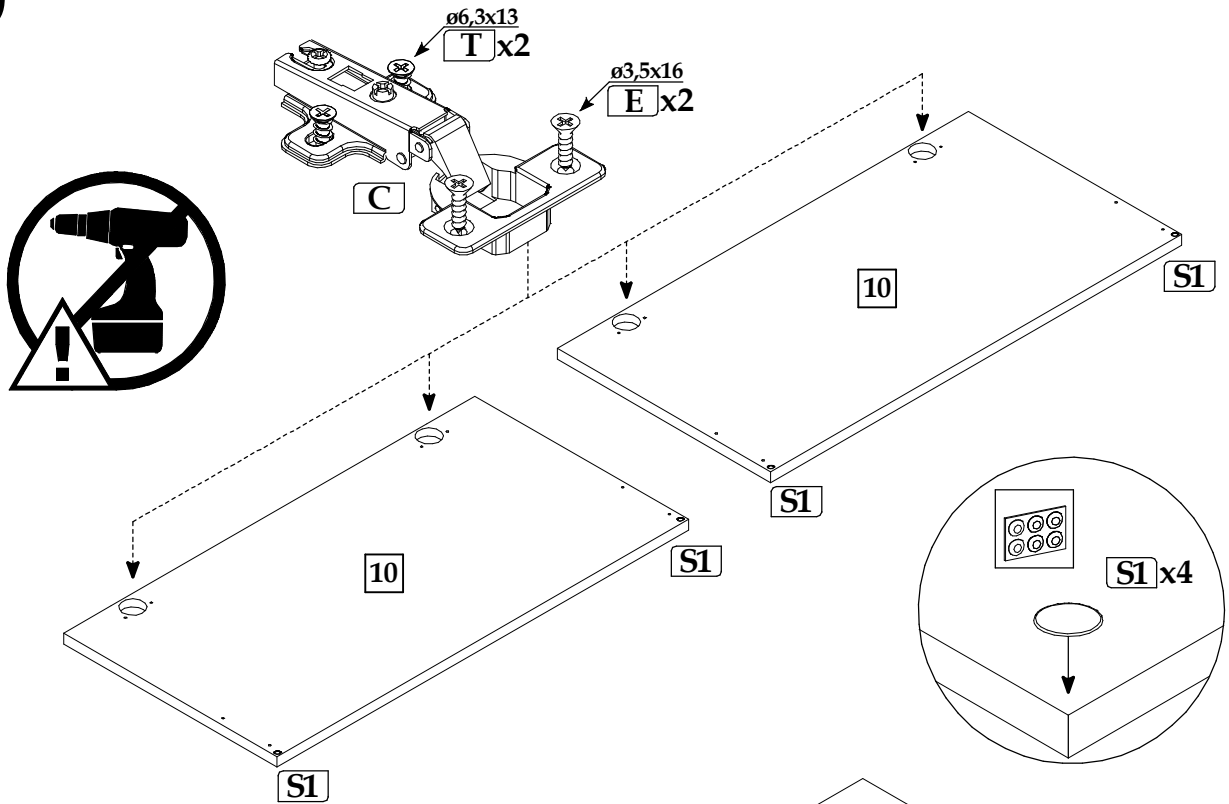
7



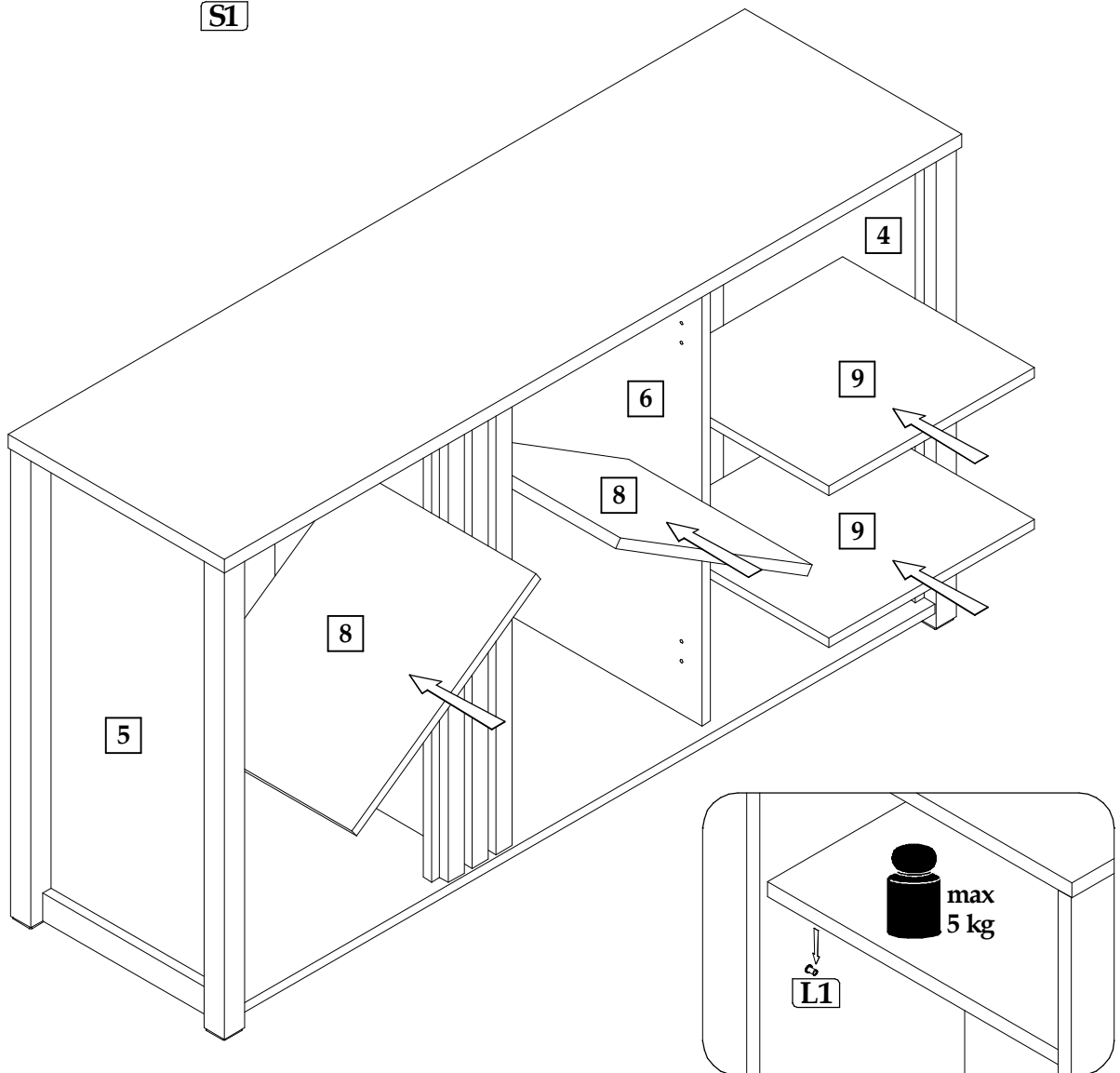
8



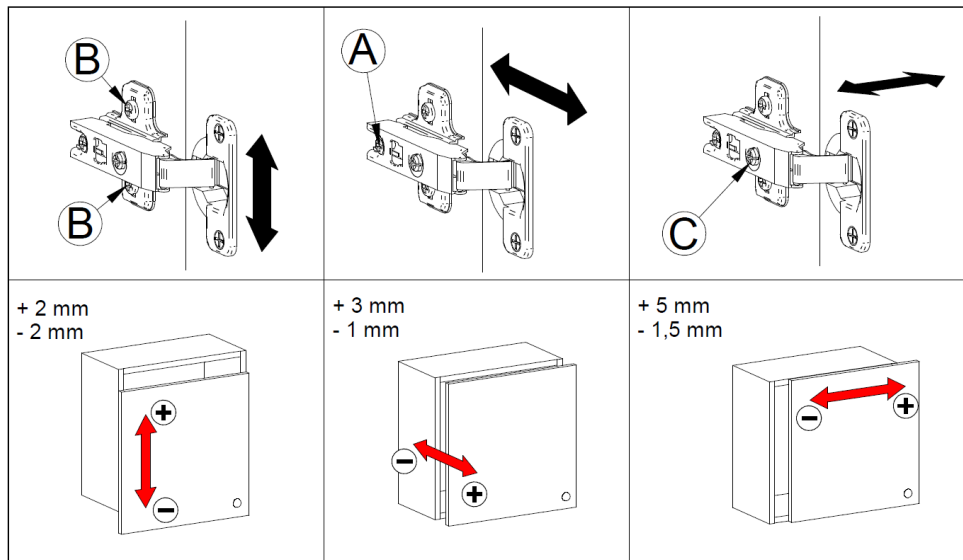
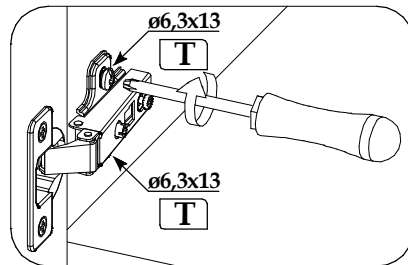
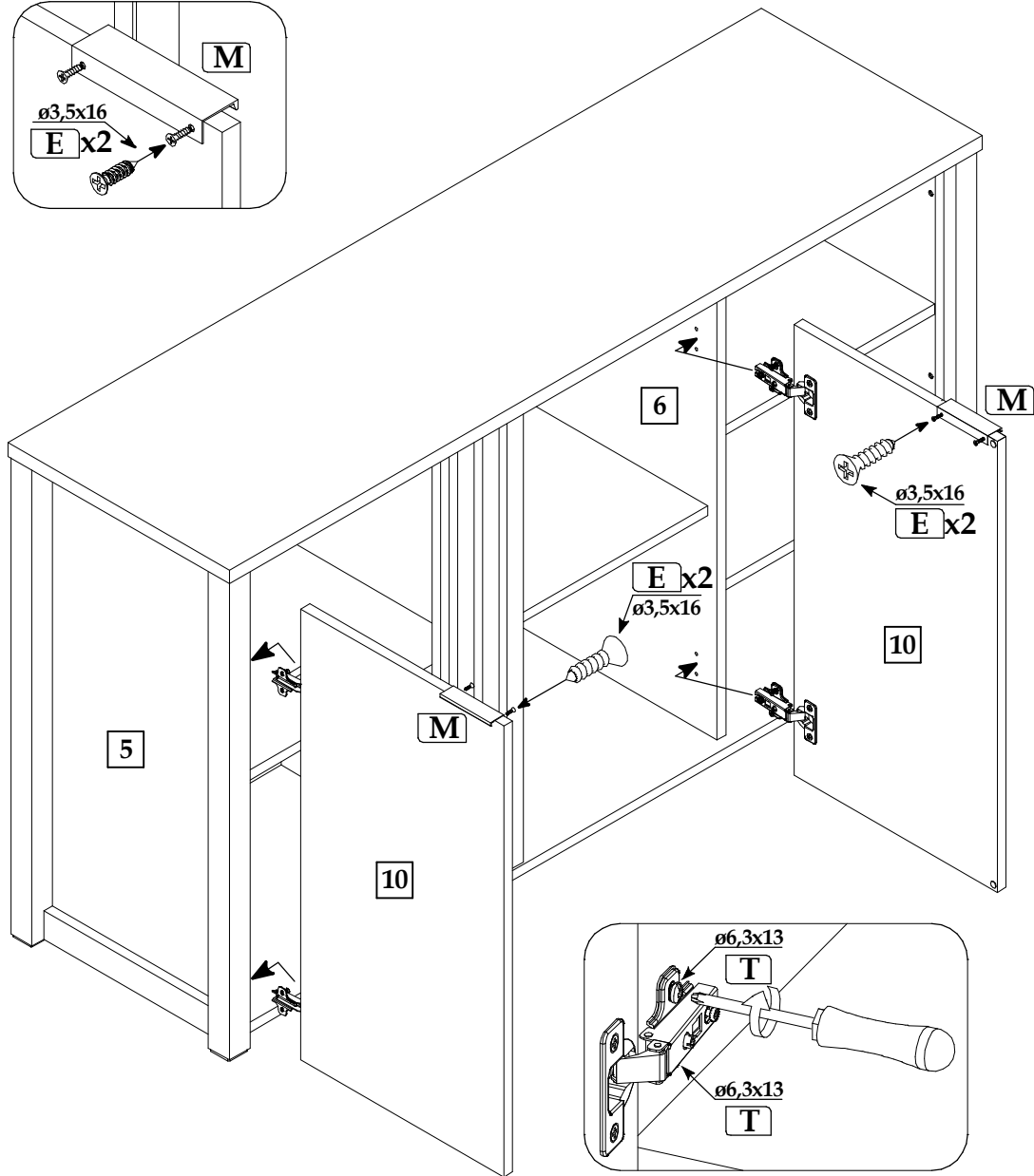
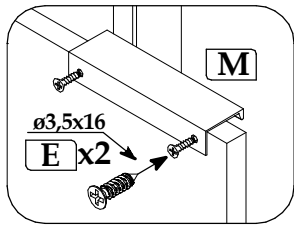
▶ 9



▶ 10



▶ 11



▶ 12

