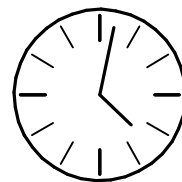
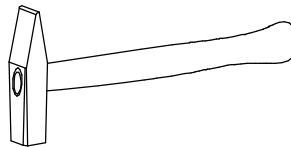
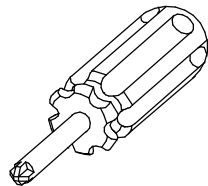
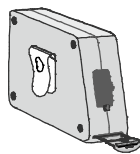
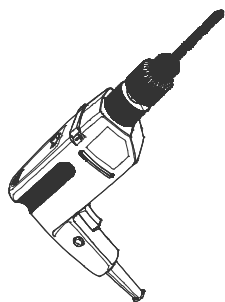
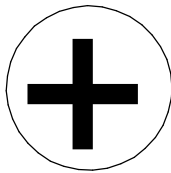
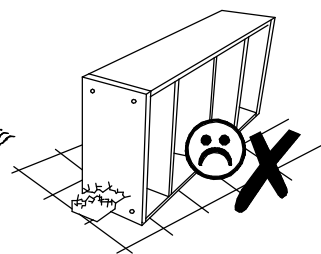
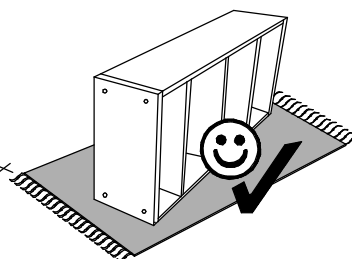
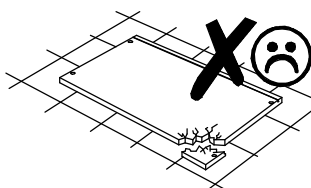
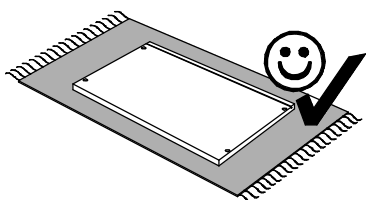
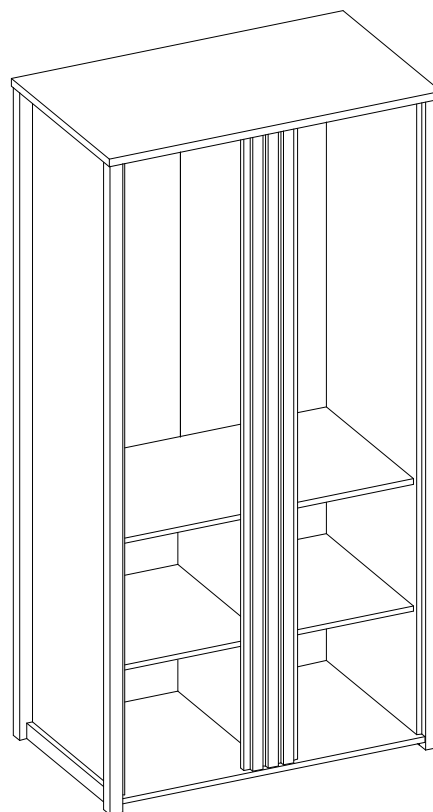
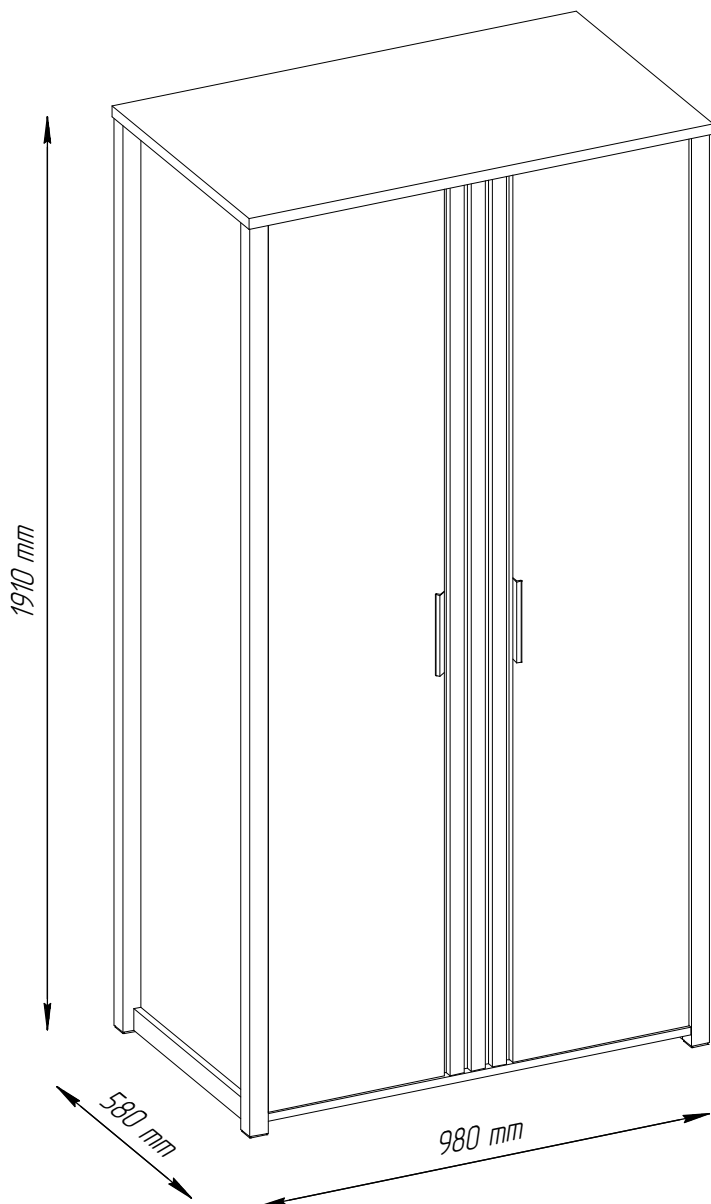
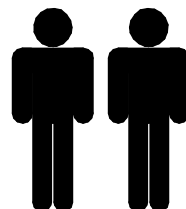
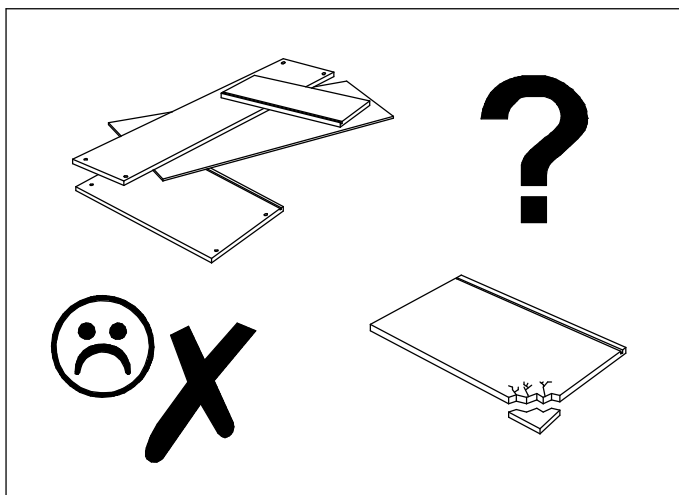
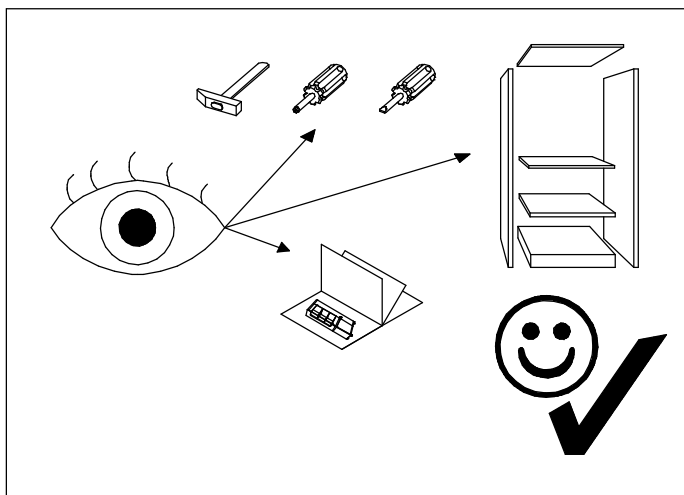
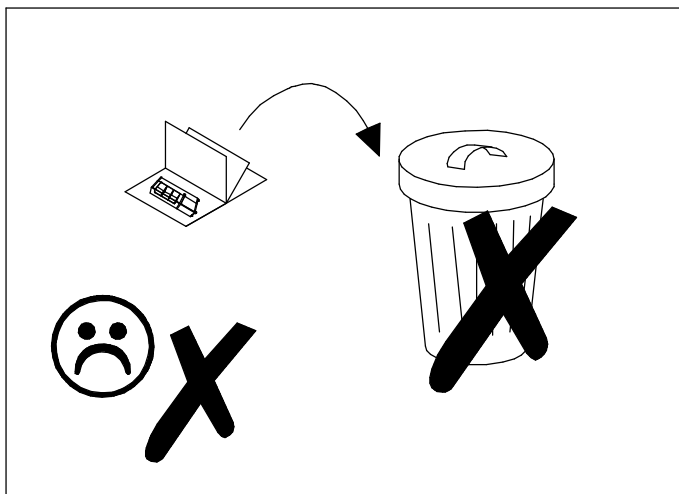
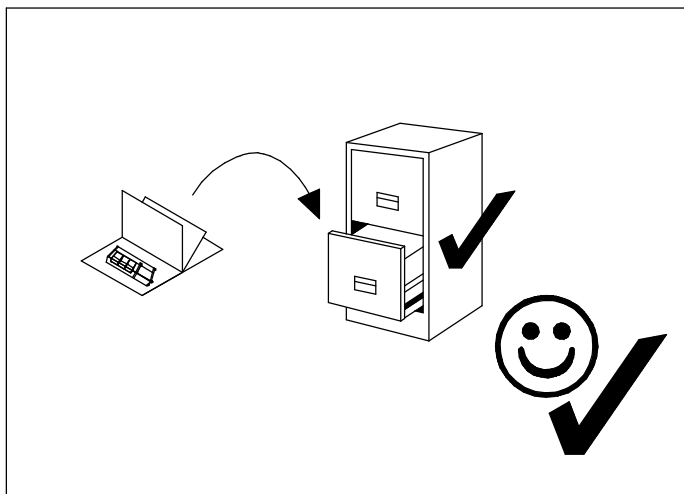
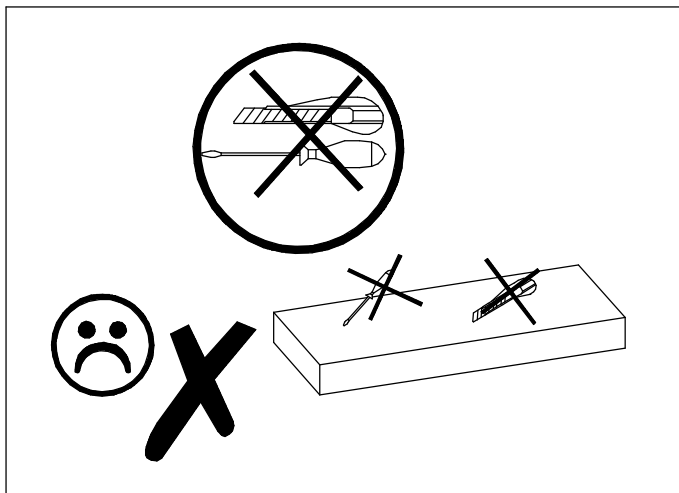
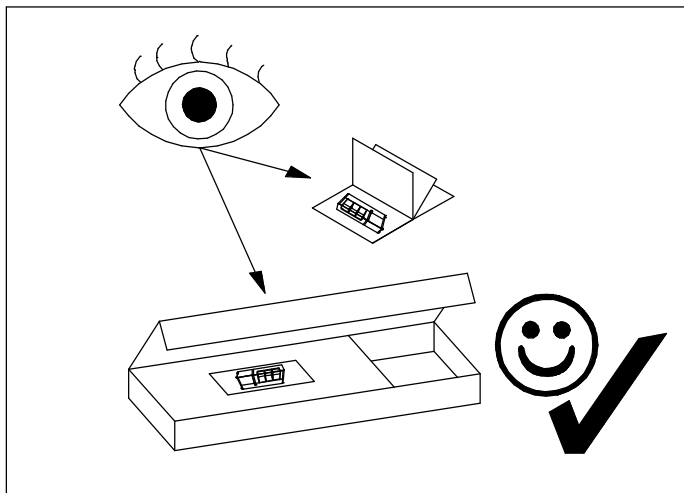


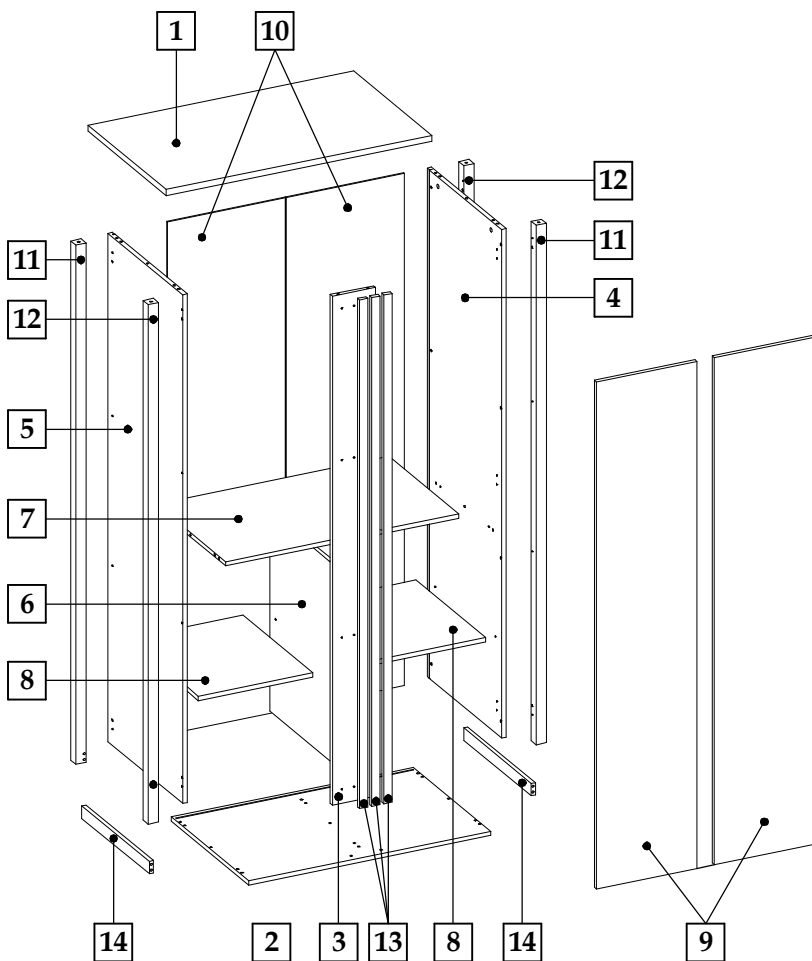
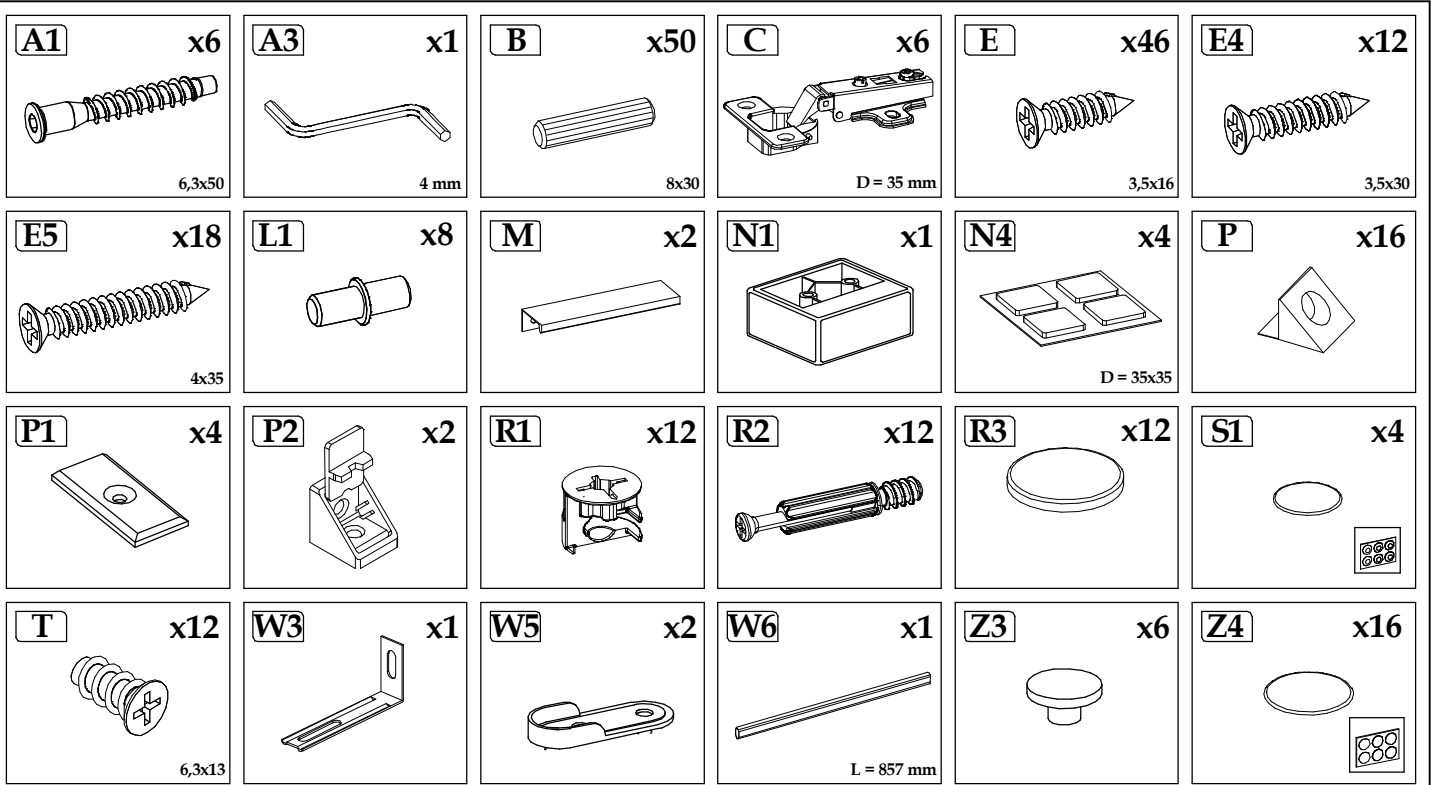
HELIX F



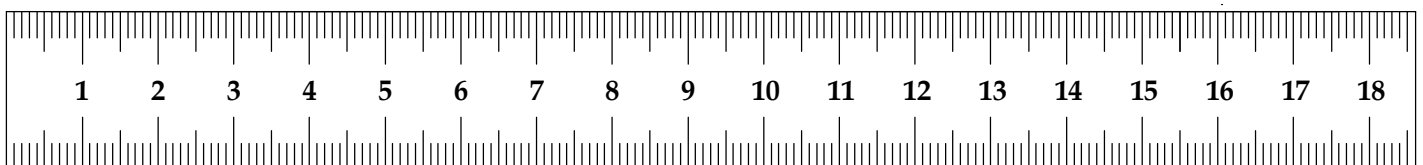
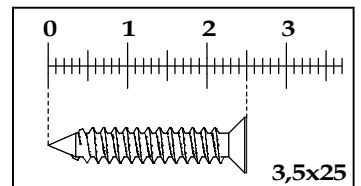
100 min

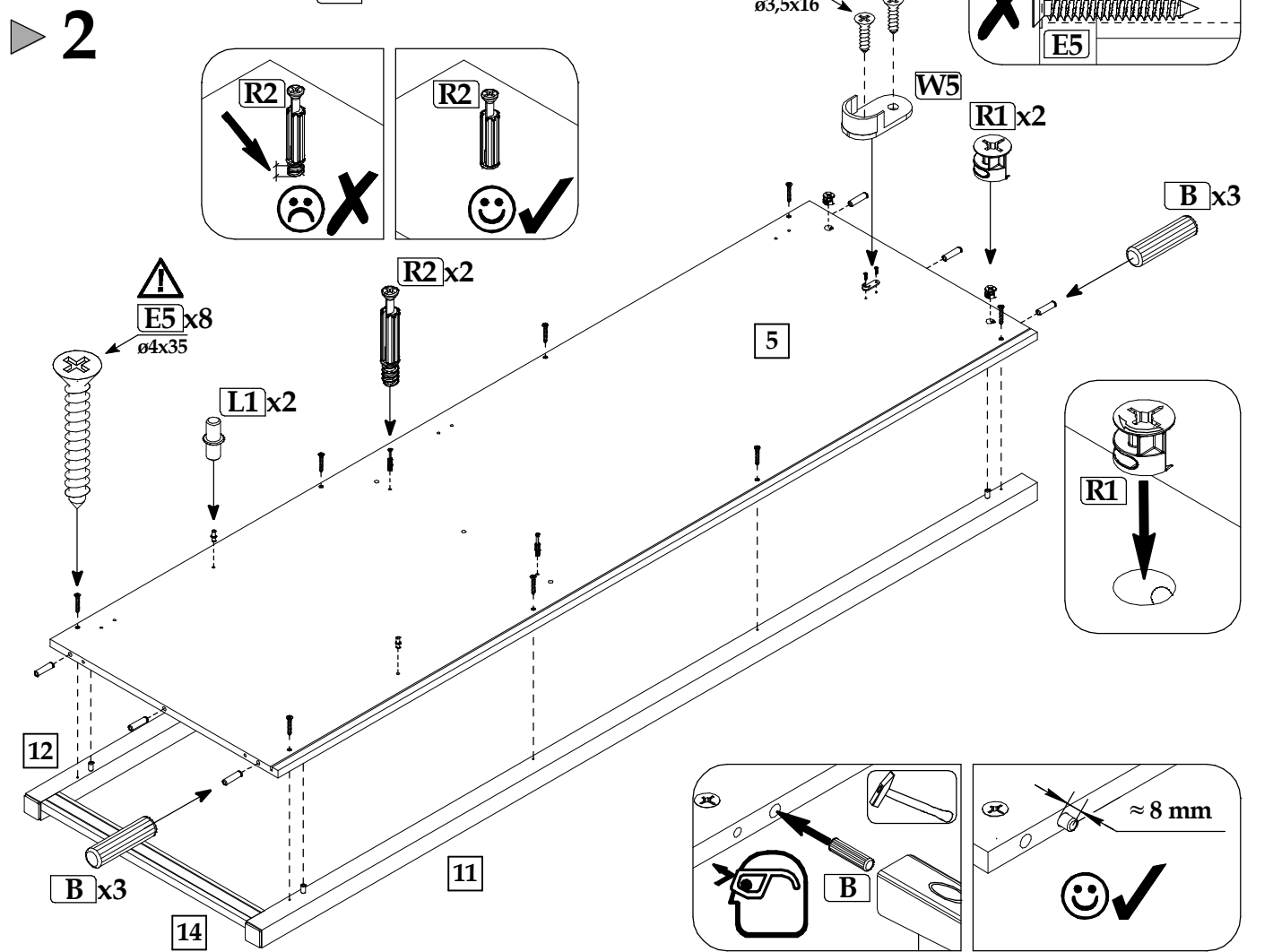
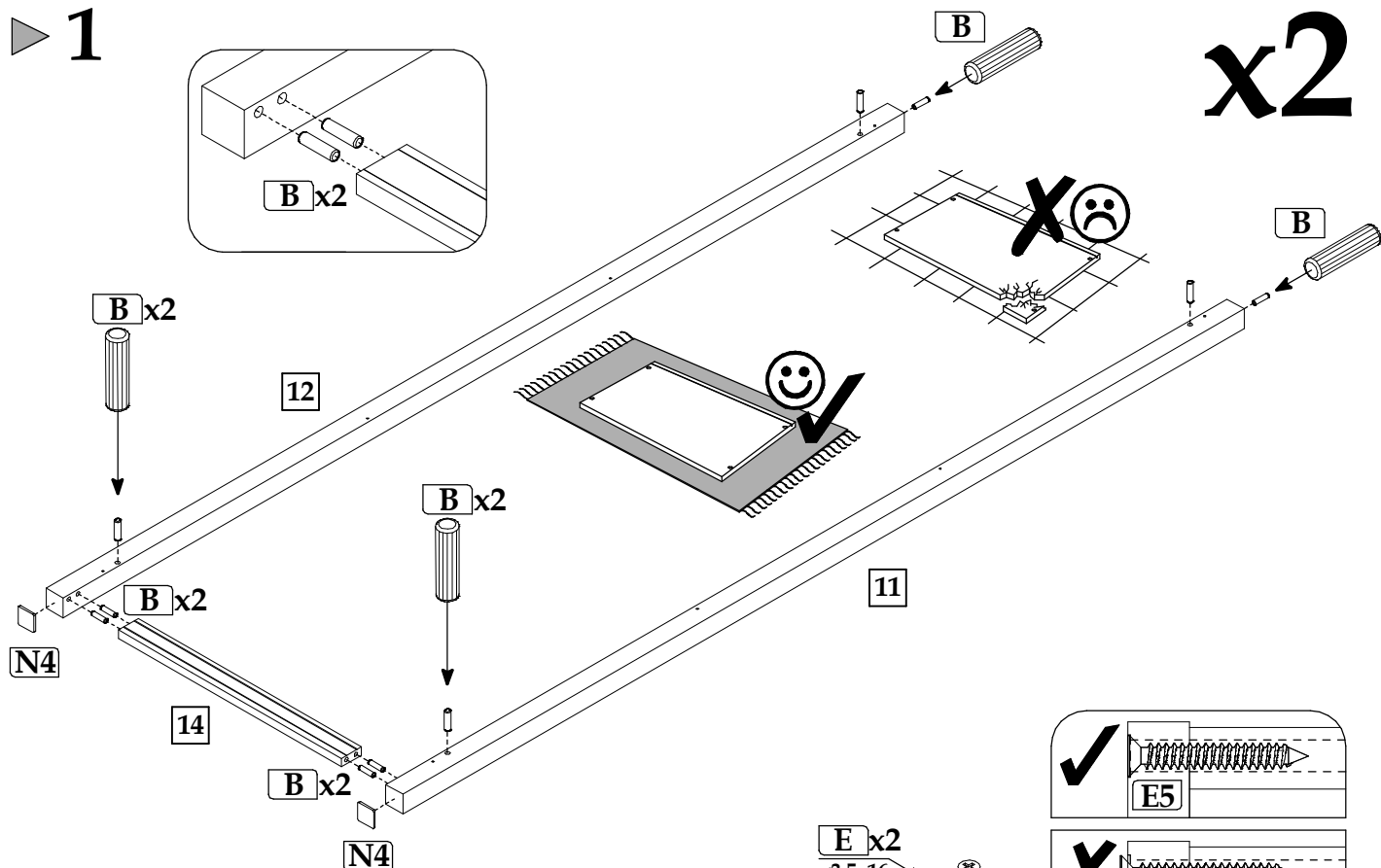




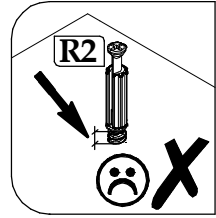
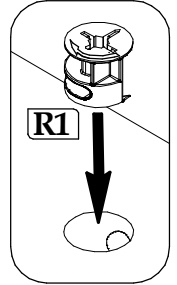
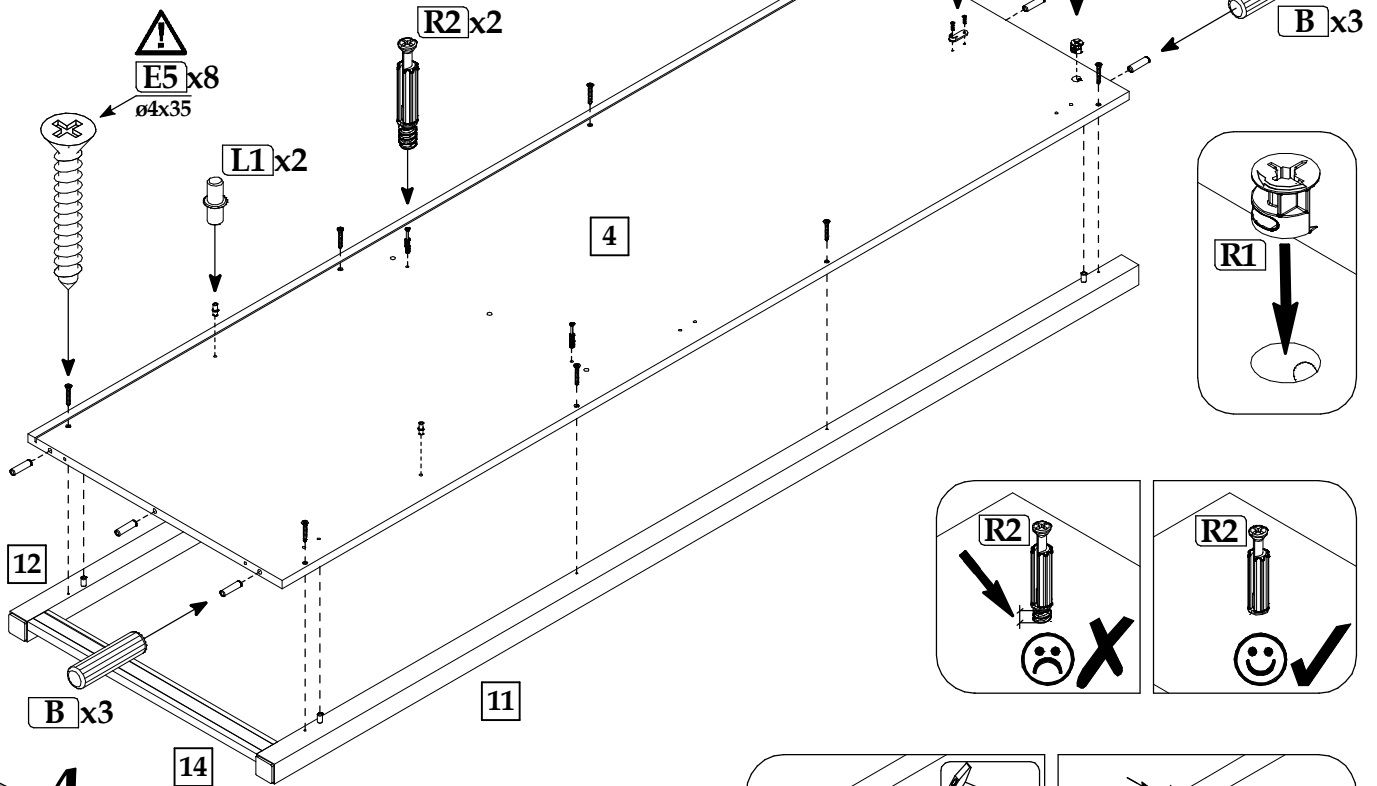
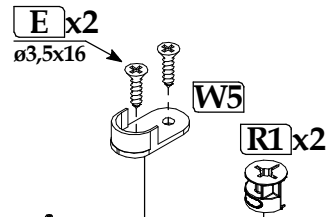
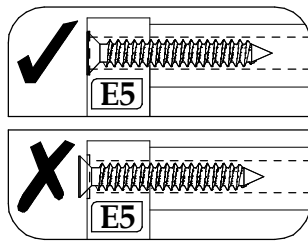


Element symbol	Measurements				Code	Pack
	1	2	3	4		
1	980	580	22	1	1001	1/ 3
2	894	573	16	1	1013	1/ 3
3	160	1844	16	1	1009	2/ 3
4	1844	553	16	1	1011	2/ 3
5	1844	553	16	1	1012	2/ 3
6	720	519	16	1	1016	1/ 3
7	862	518	16	1	1028	1/ 3
8	423	518	16	2	N/ A	1/ 3
9	1838	372	16	2	1005/ 1010	2/ 3
10	1858	440	3	2	N/ A	2/ 3
11	1883	38	38	2	P38_1883x38_T1	3/ 3
12	1883	38	38	2	P38_1883x38_T2	3/ 3
13	1844	30	16	3	P16_1844x30x16	2/ 3
14	499	45	16	2	P16_499x45x16	1/ 3



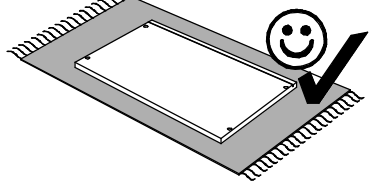
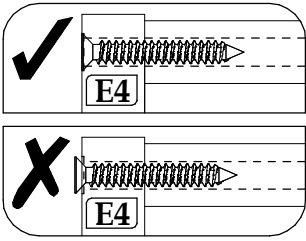
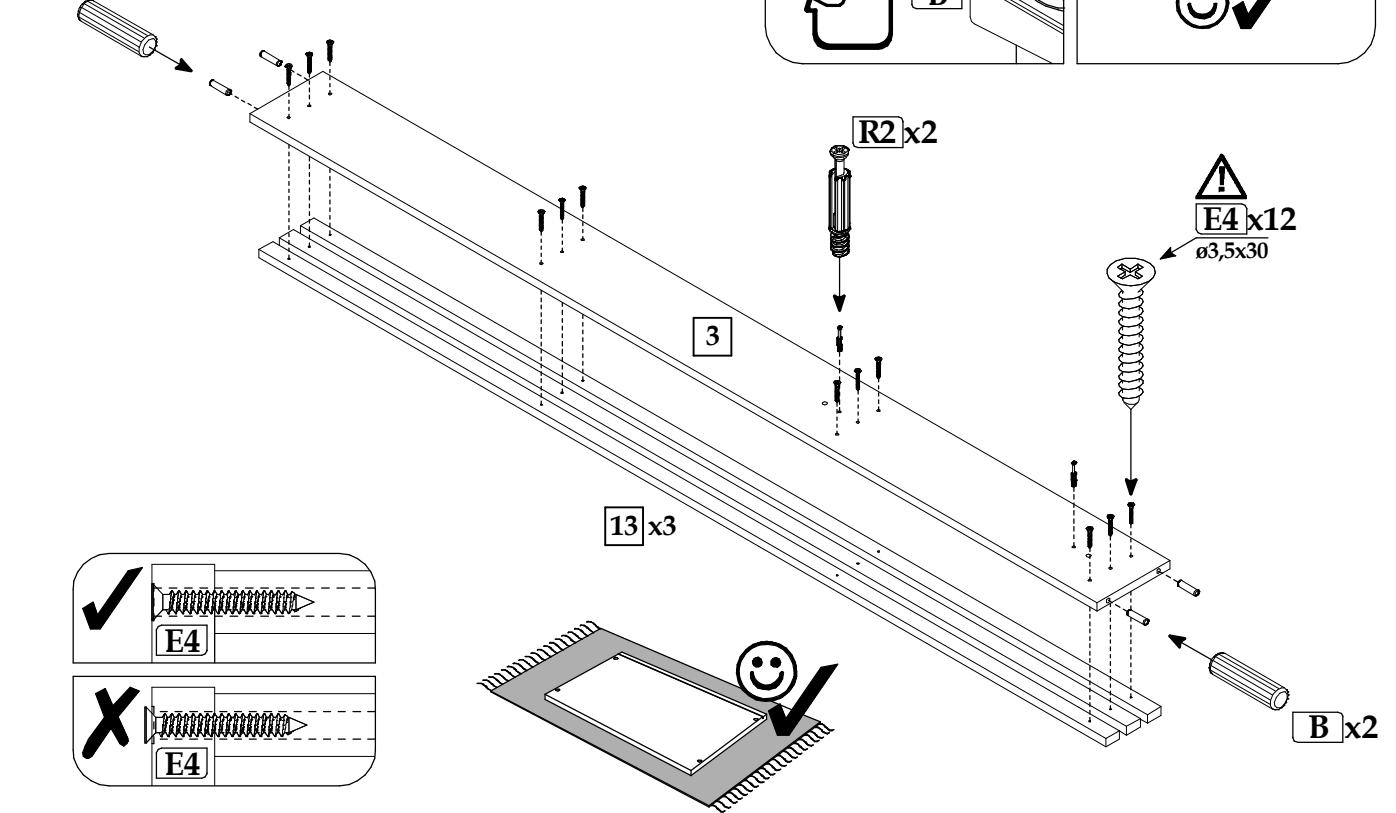
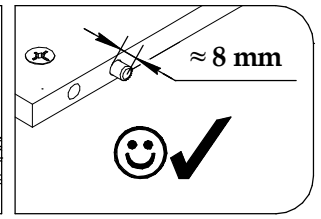
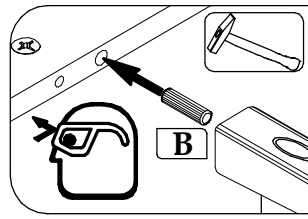


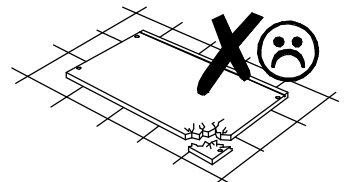
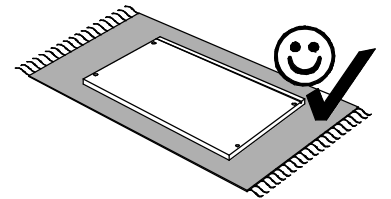
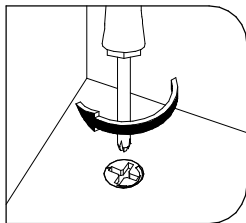
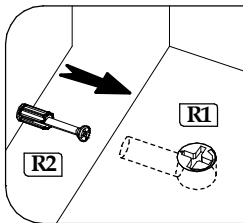
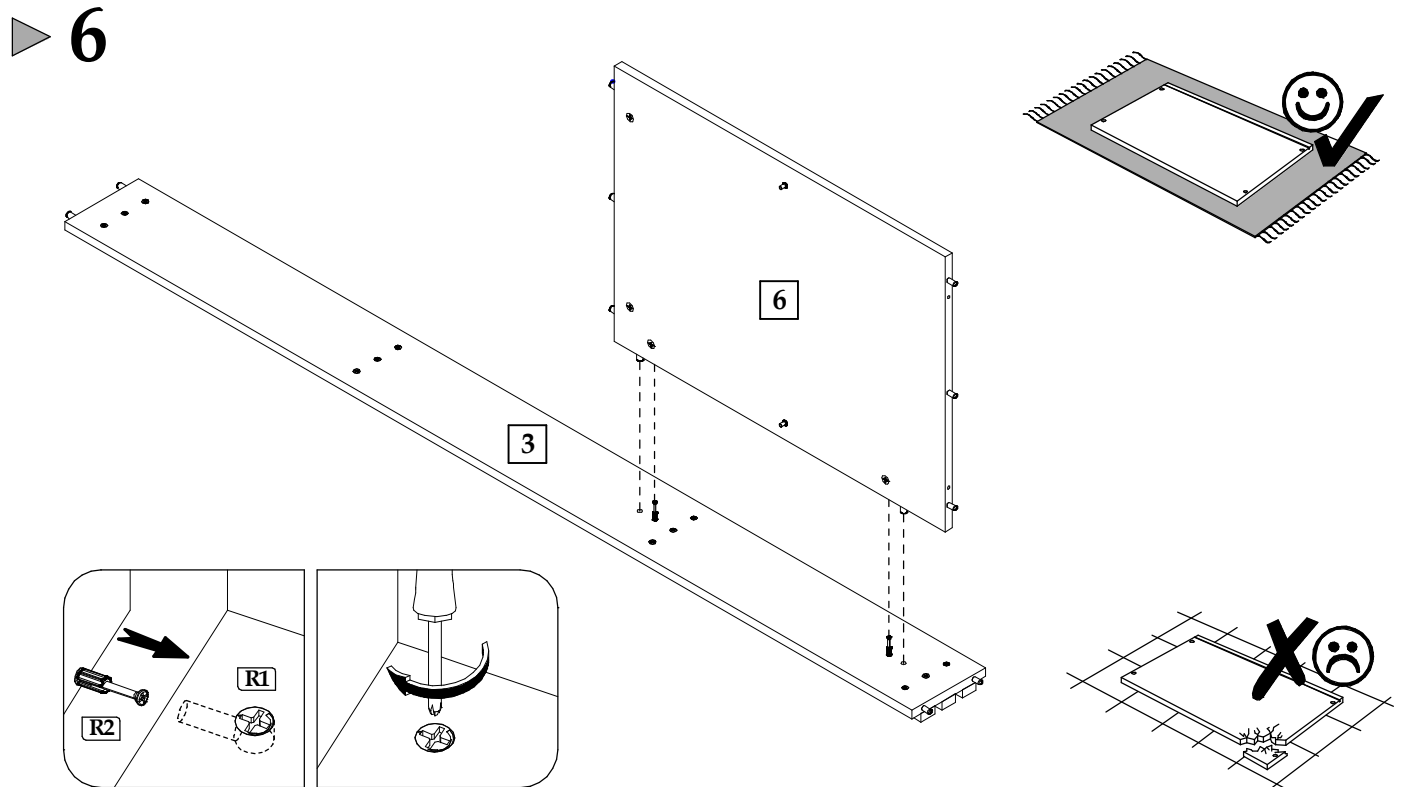
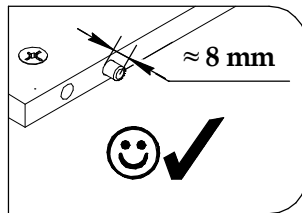
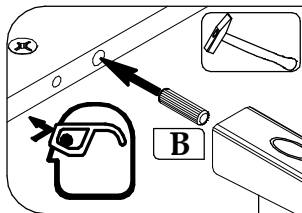
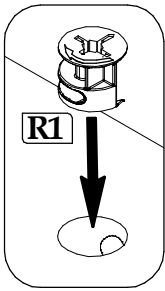
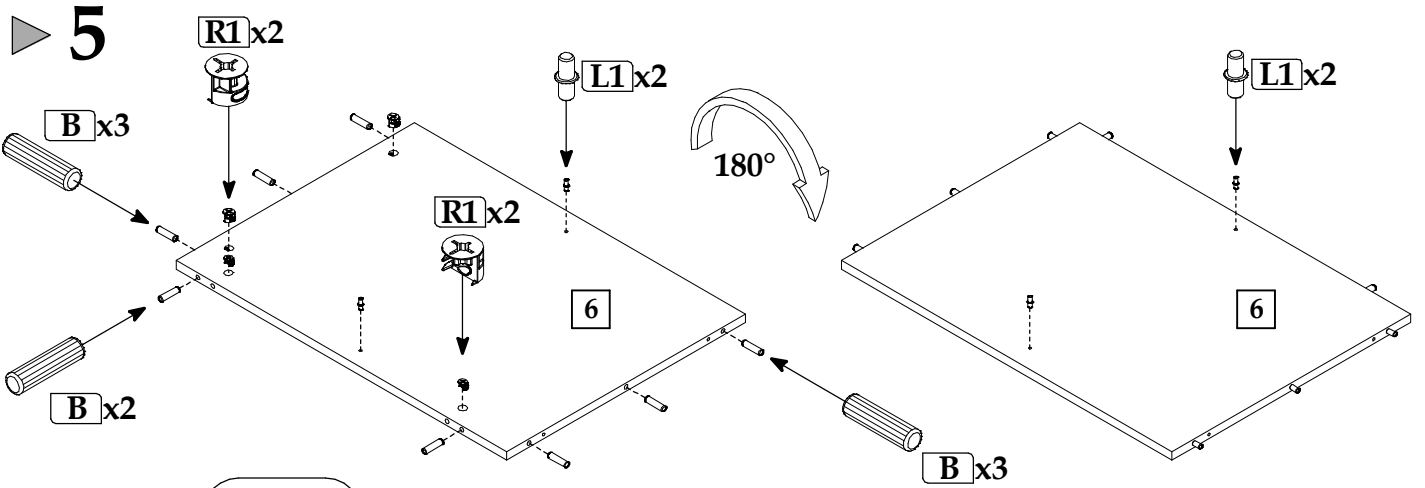
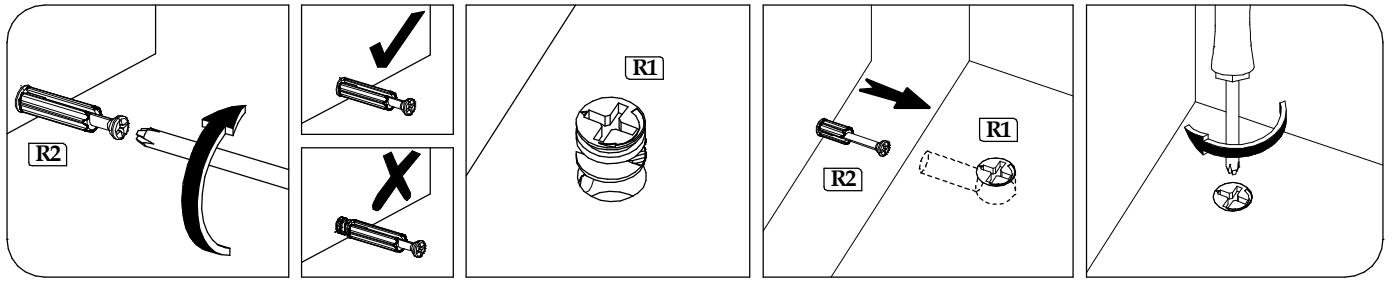
▶ 3

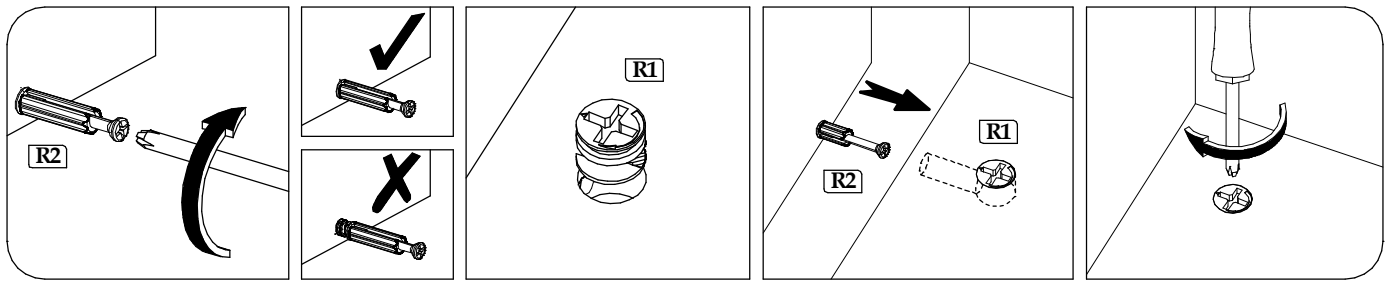


▶ 4

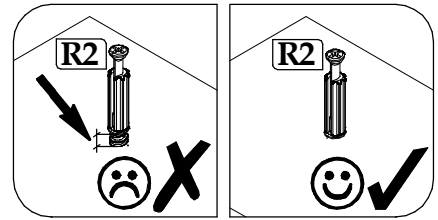
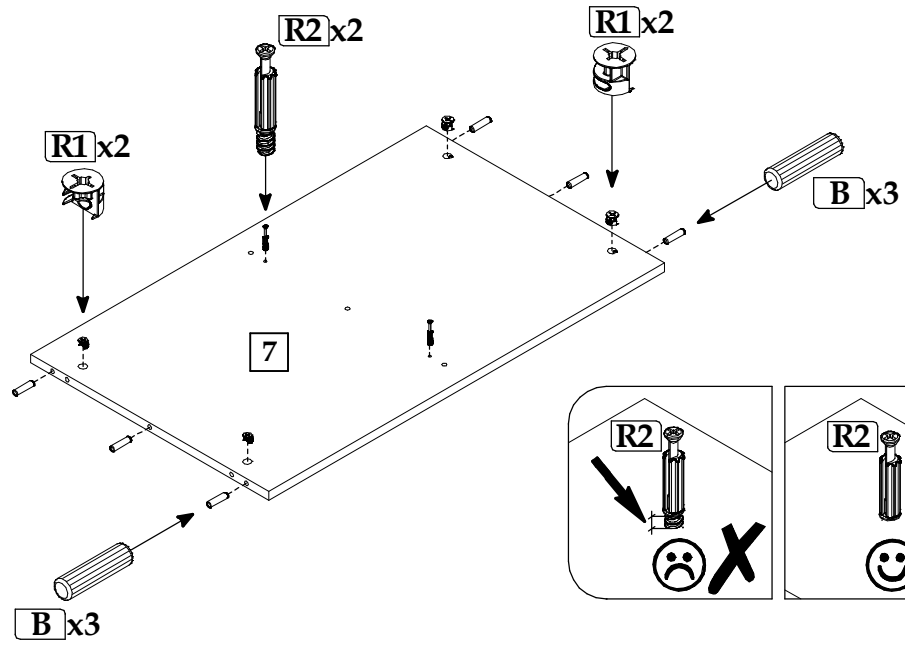
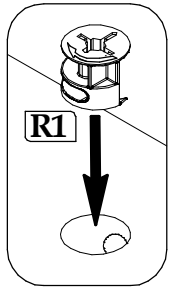
B x2



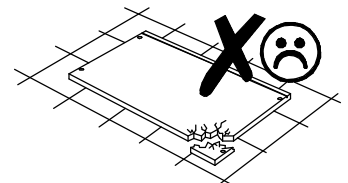
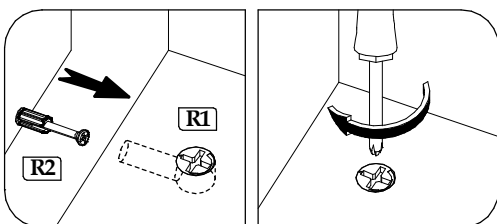
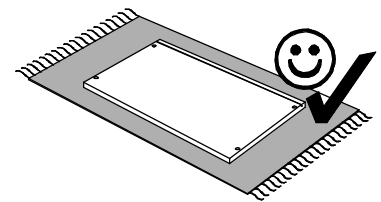
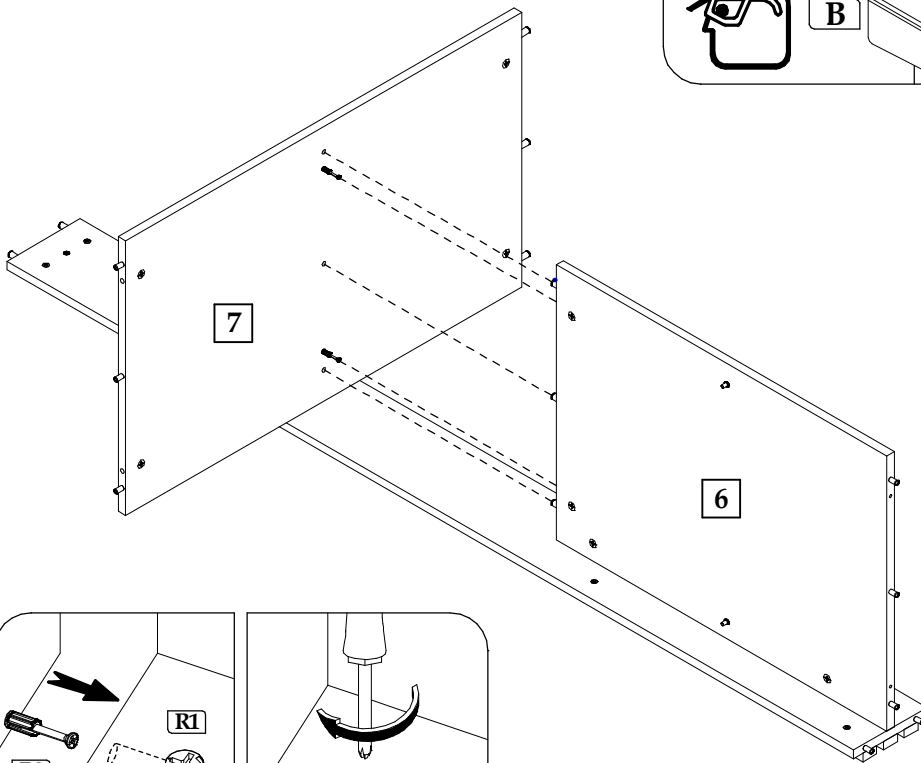
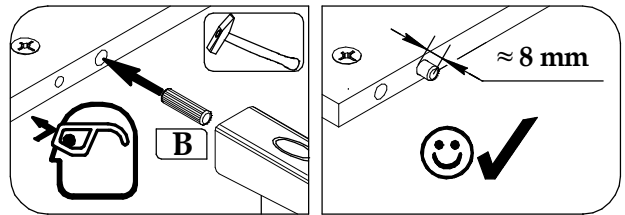




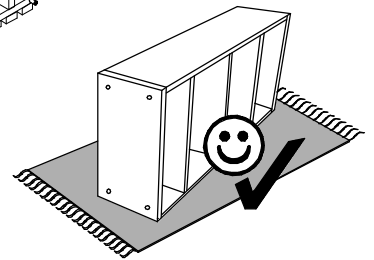
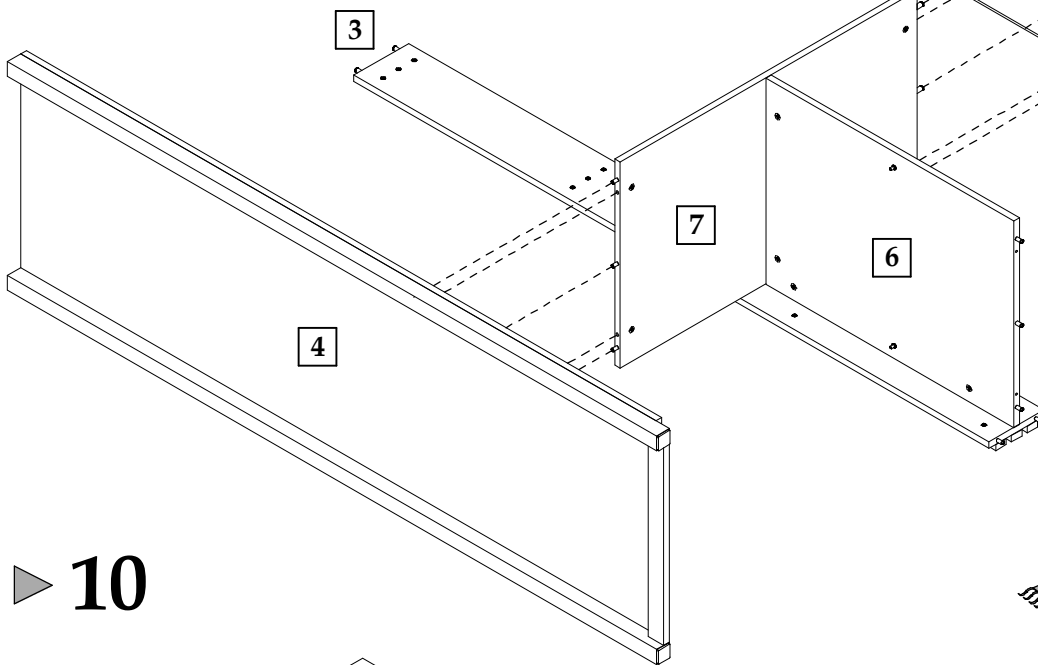
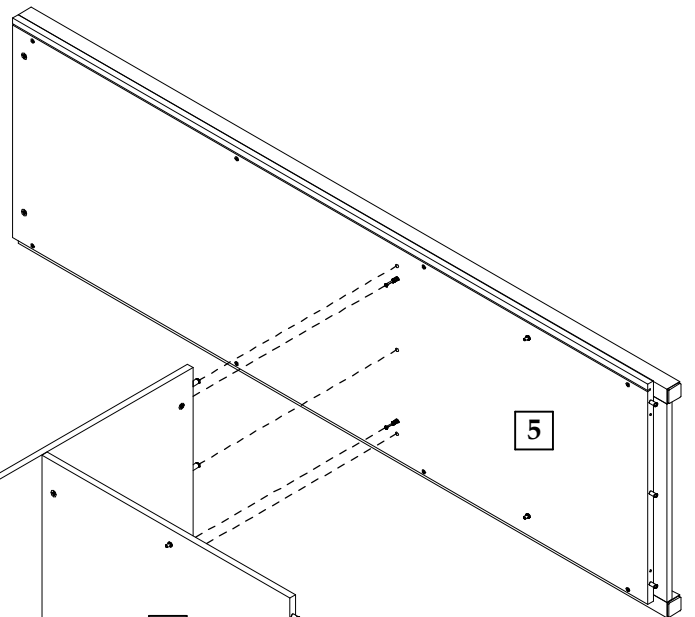
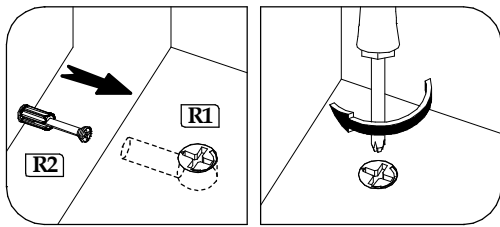
▶ 7



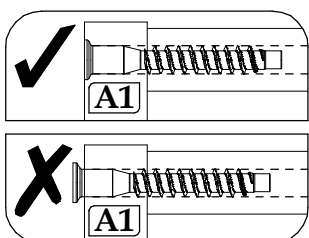
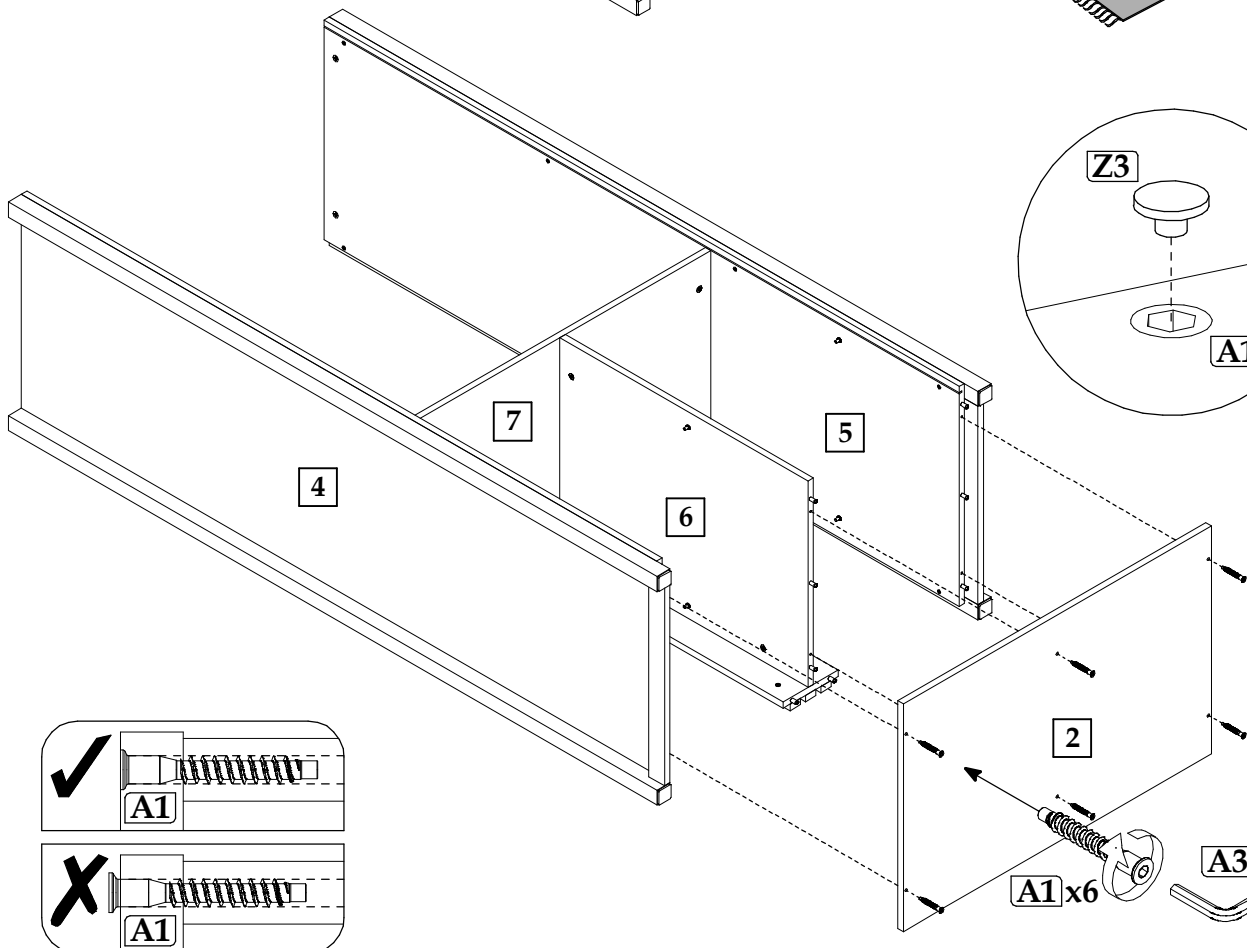
▶ 8

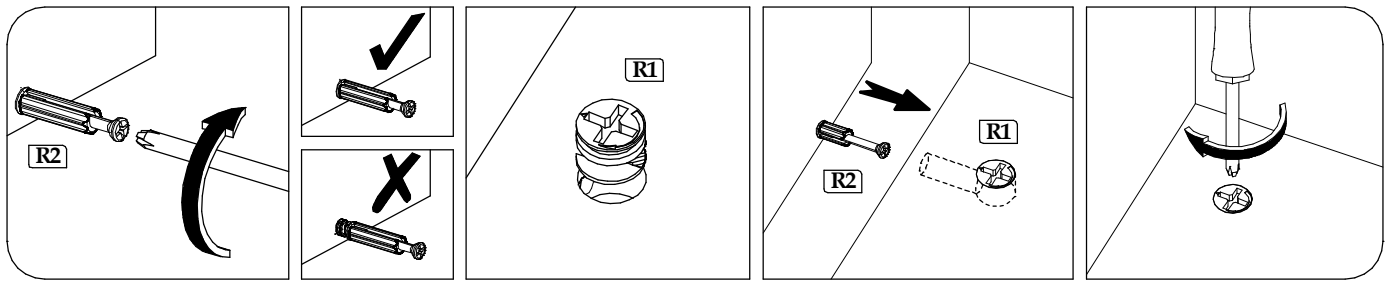


▶ 9

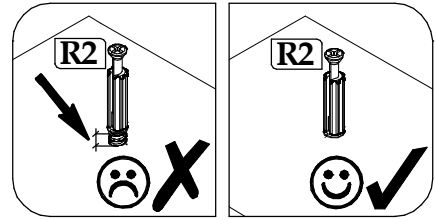
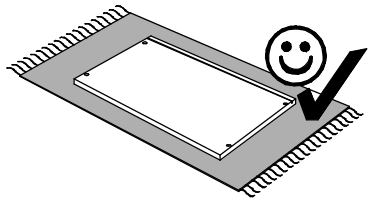


▶ 10

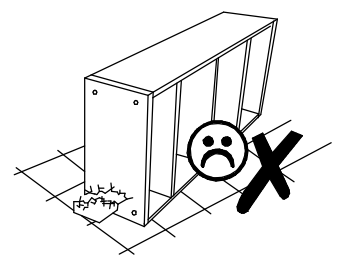
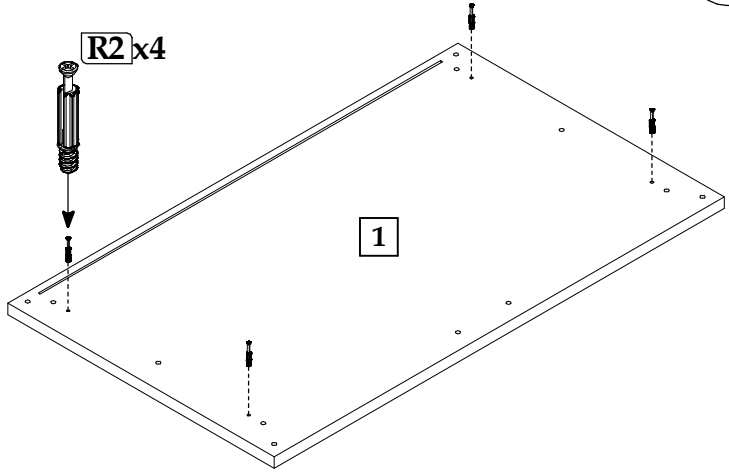




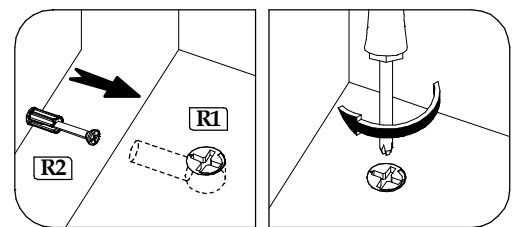
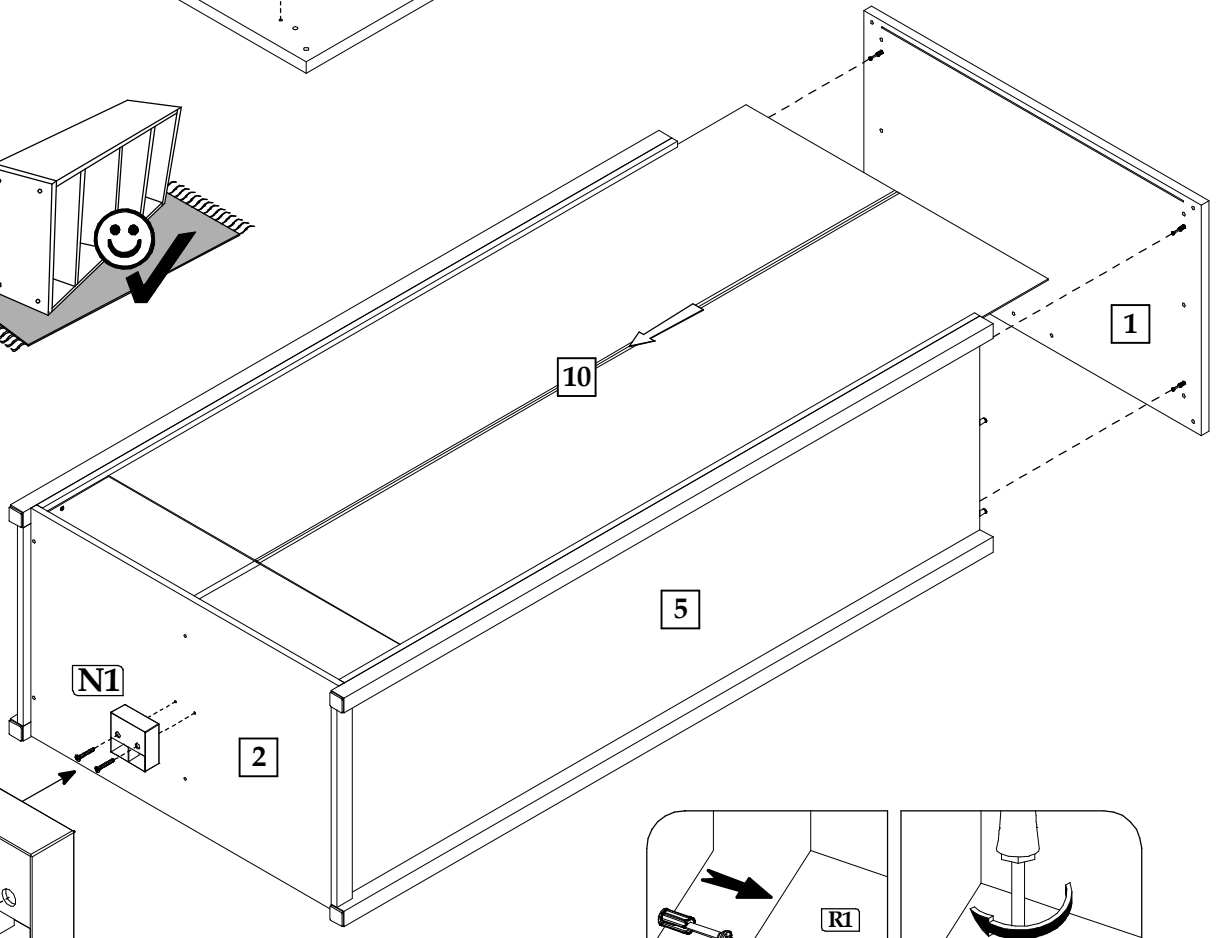
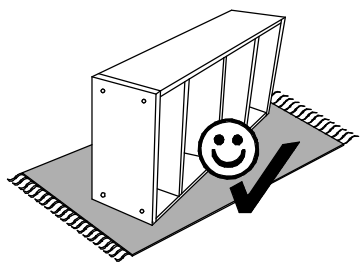
▶ 11



R2 x4

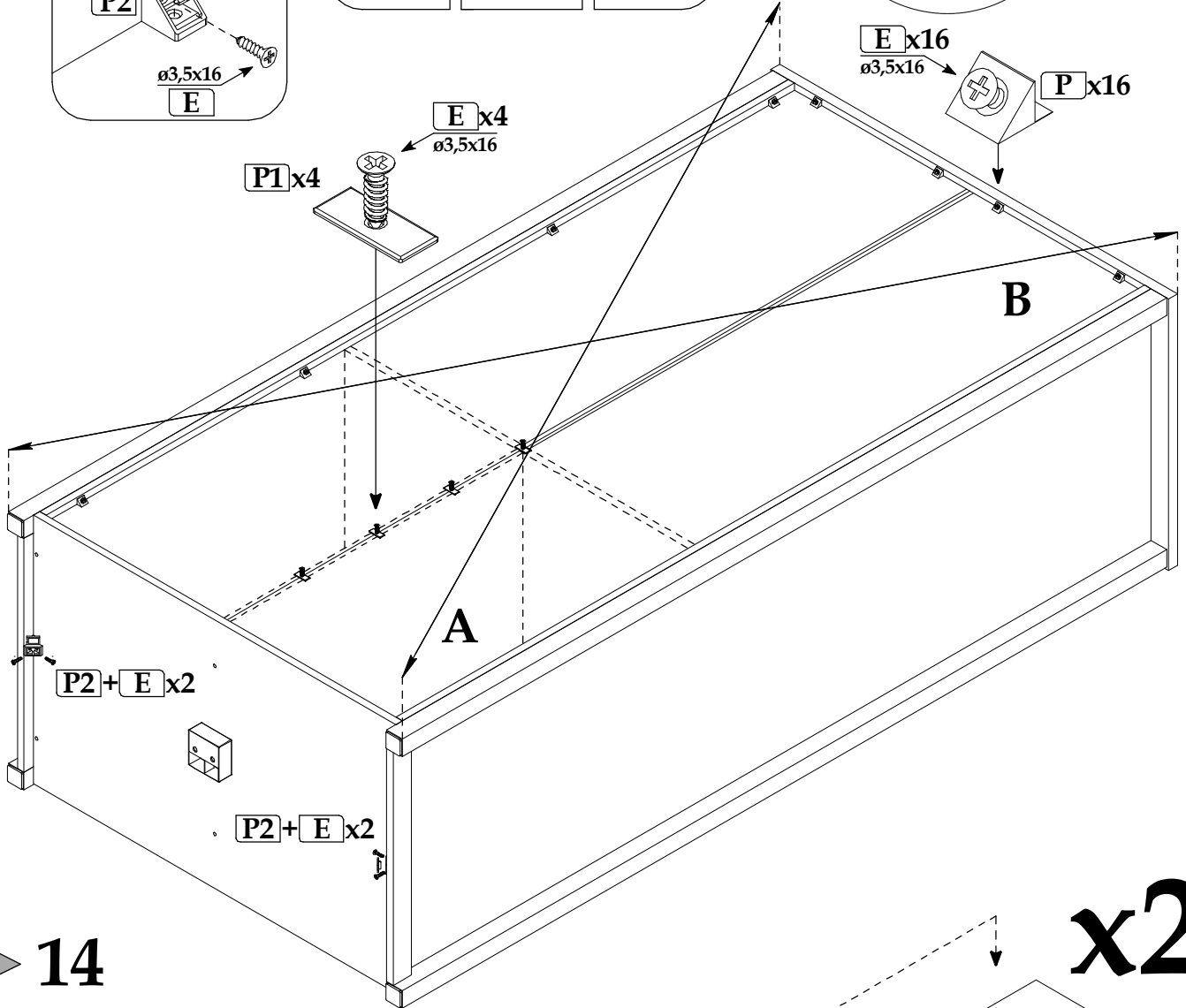
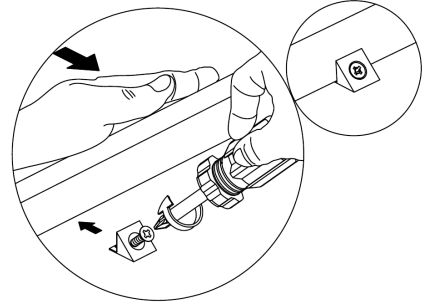
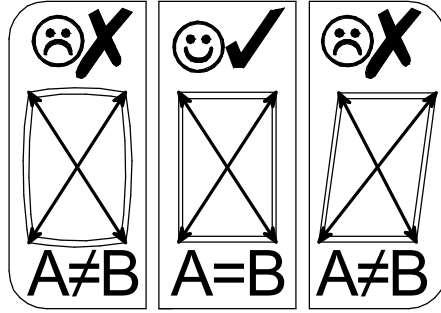
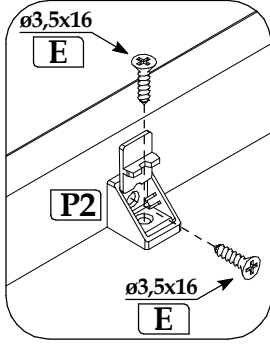


▶ 12

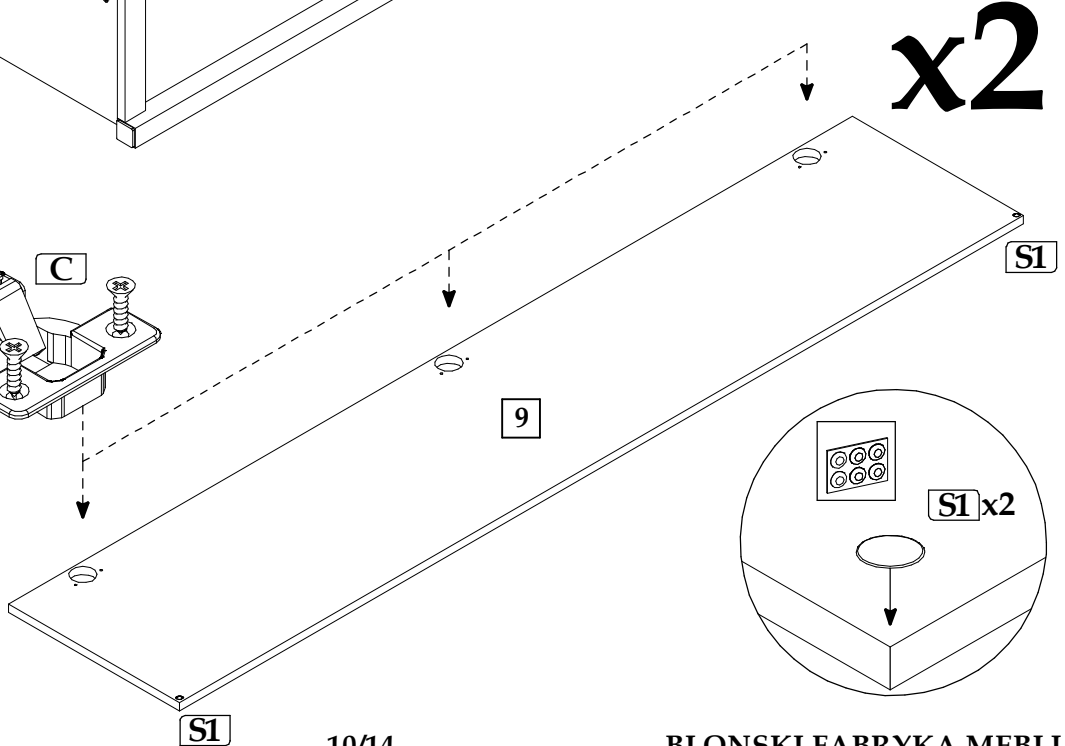
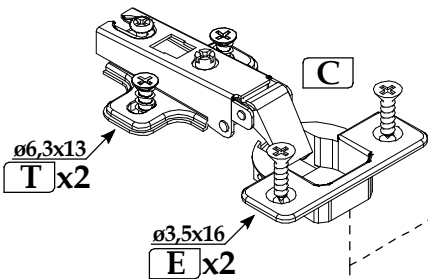


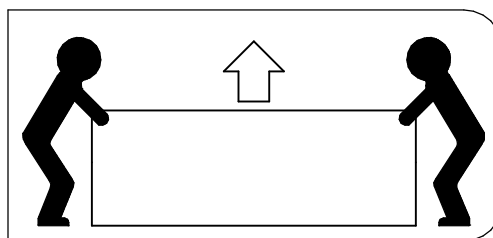
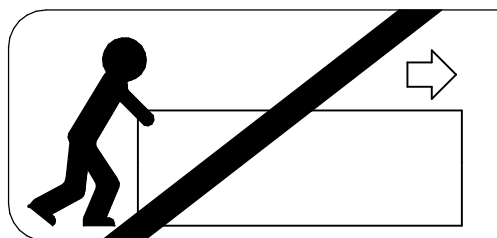
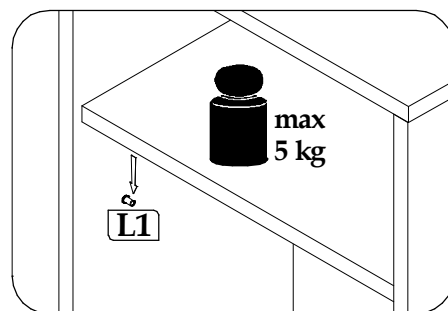
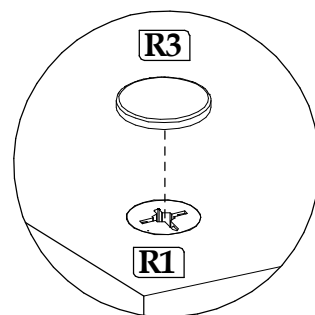
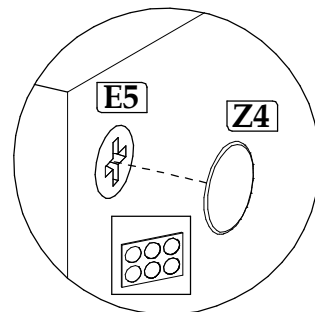
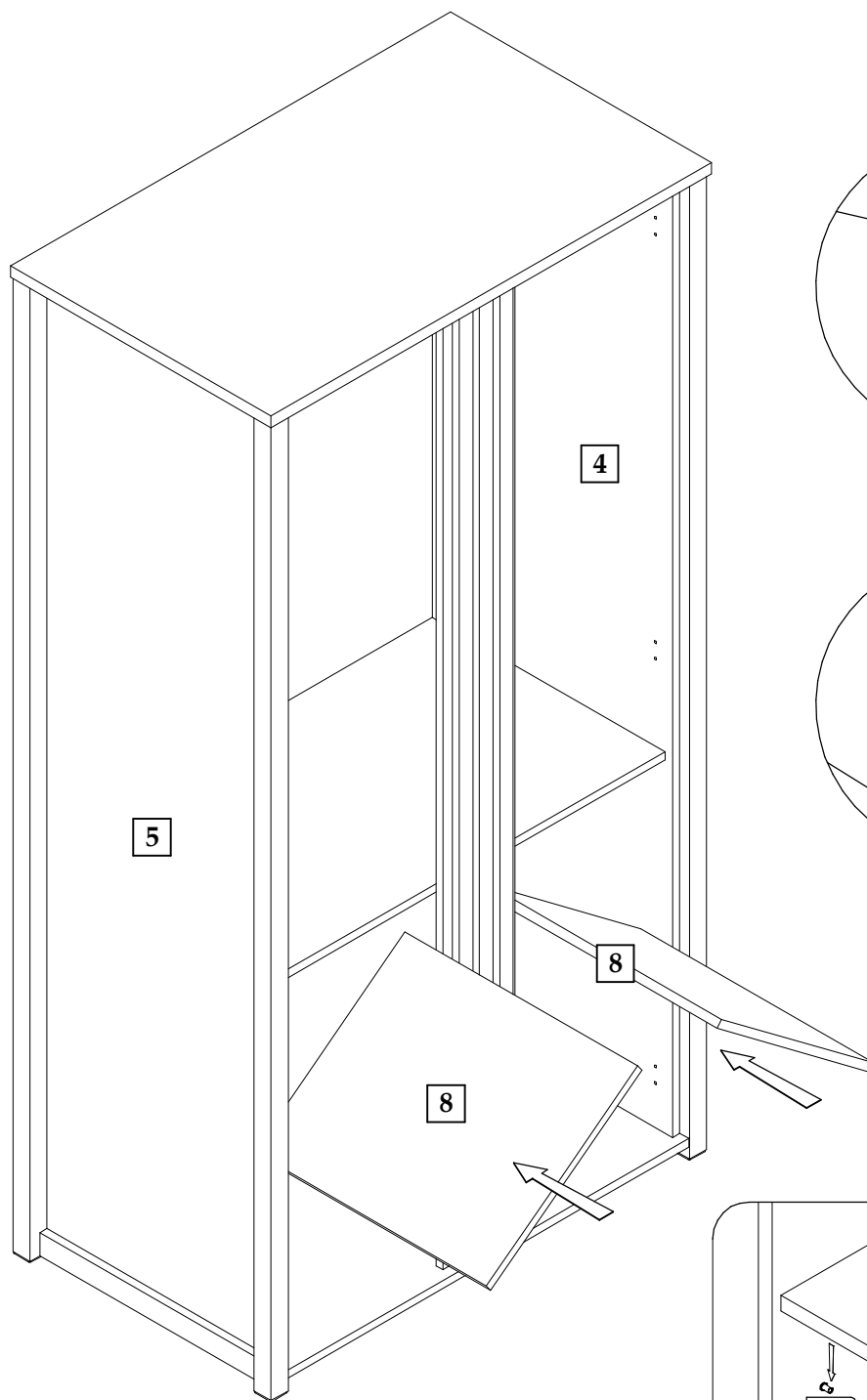
⚠ $\phi 4 \times 35$
E5 x2

▶ 13

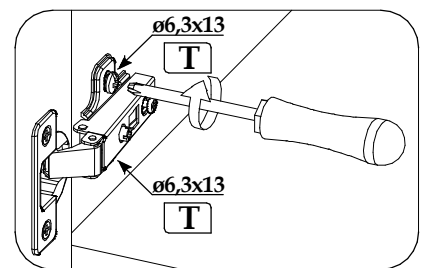
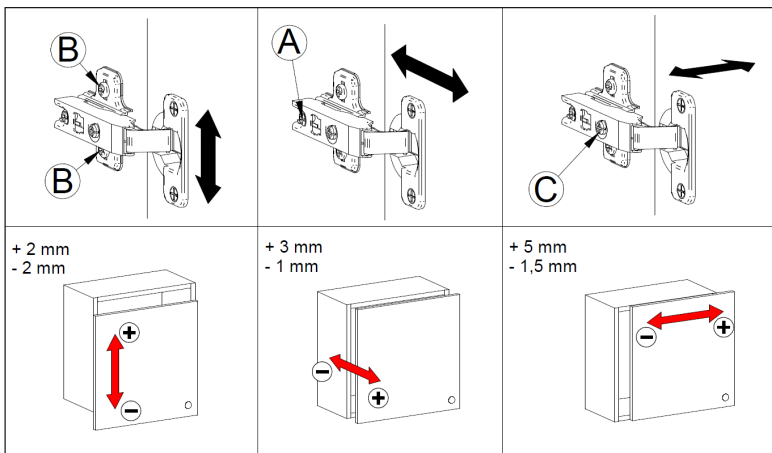
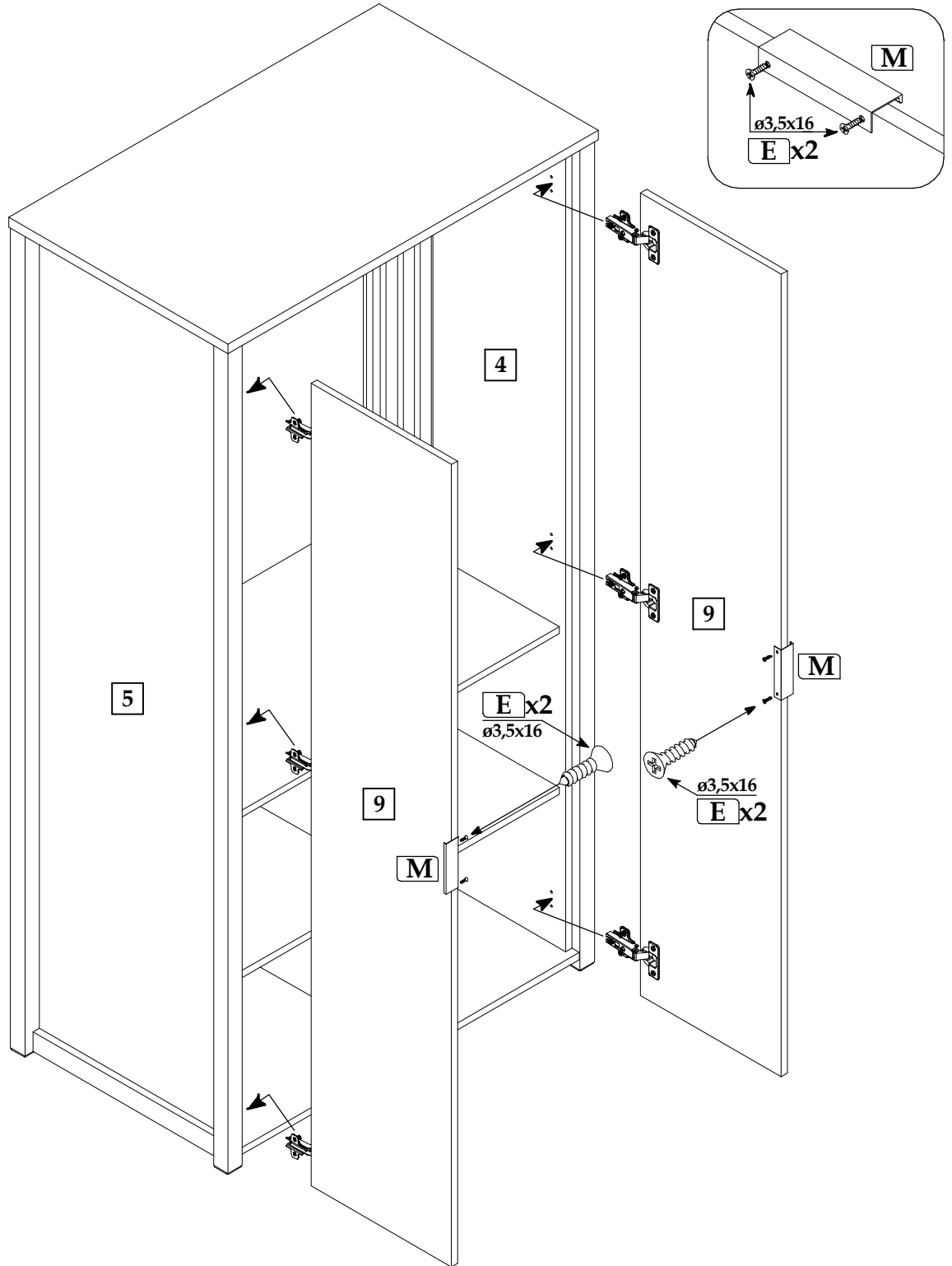


▶ 14





▶ 16



▶ 17

