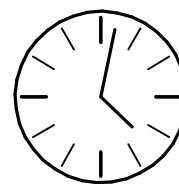
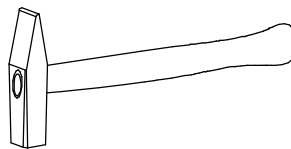
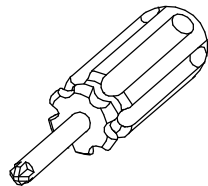
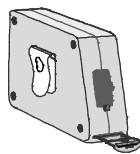
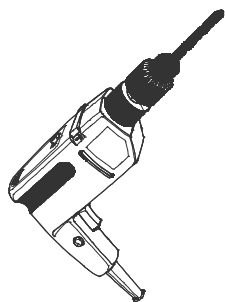
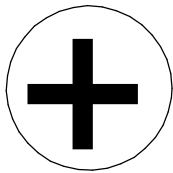
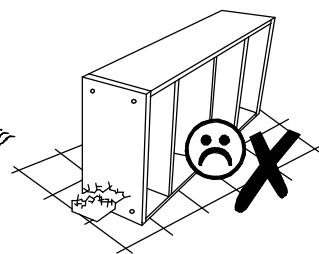
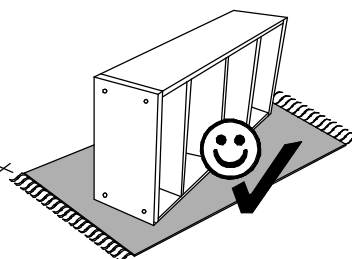
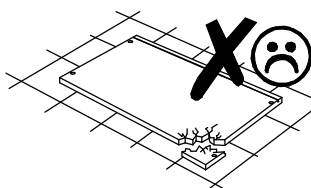
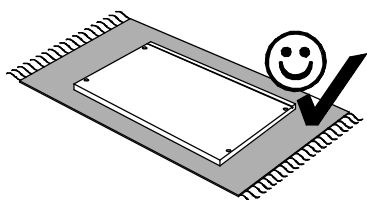
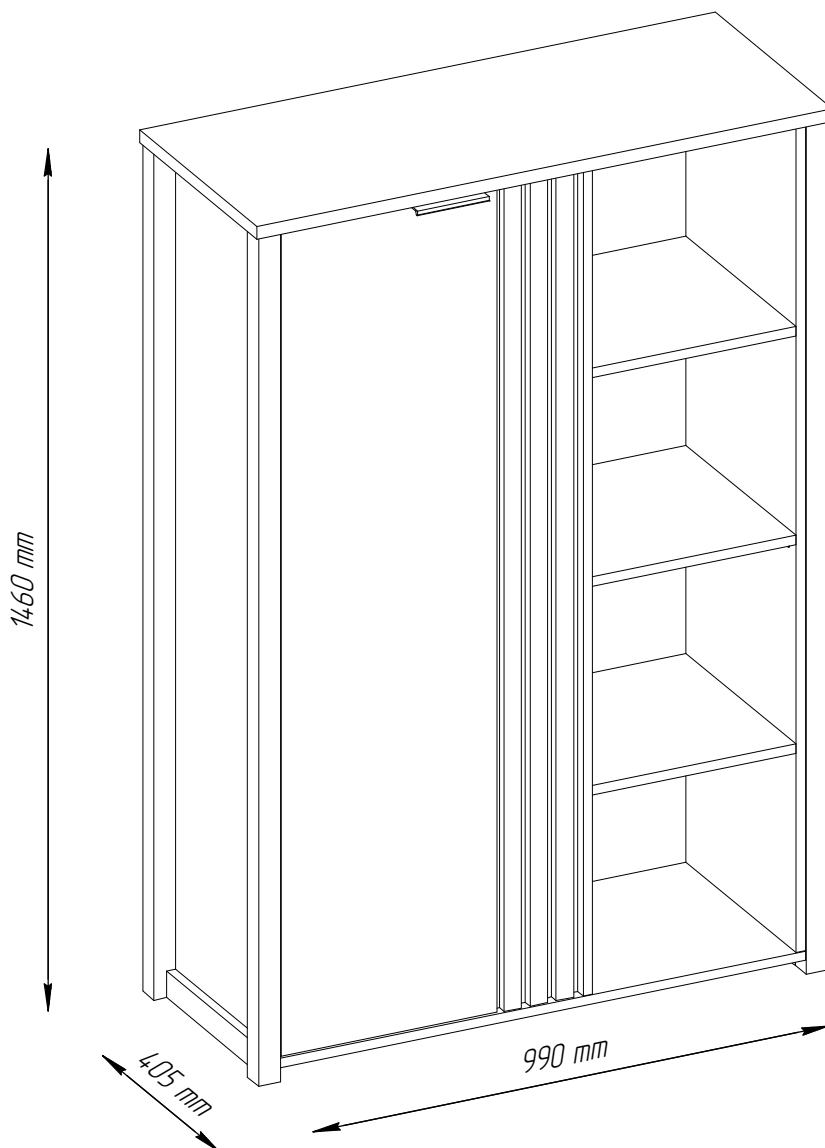
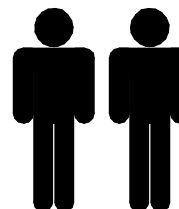
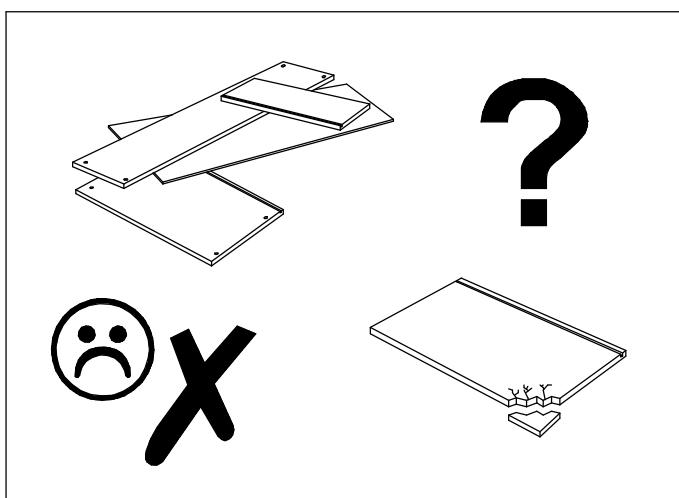
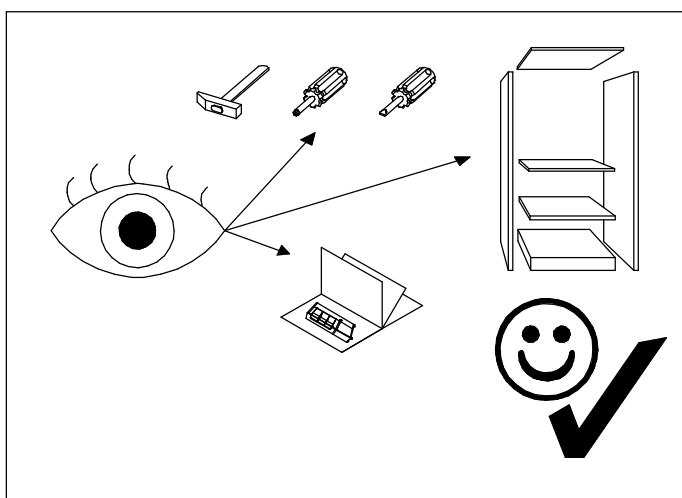
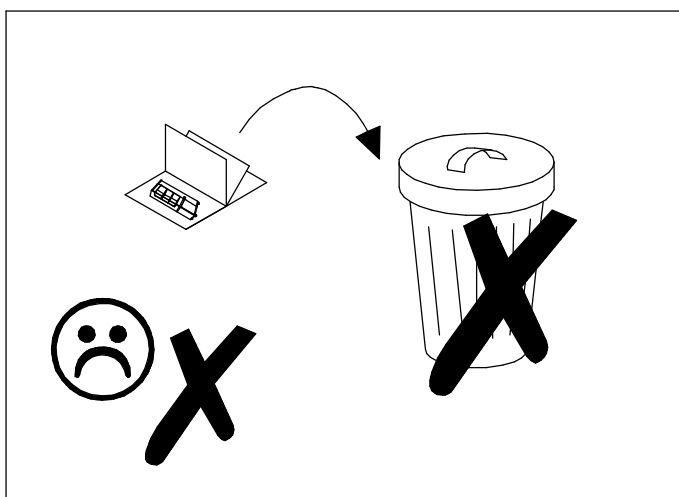
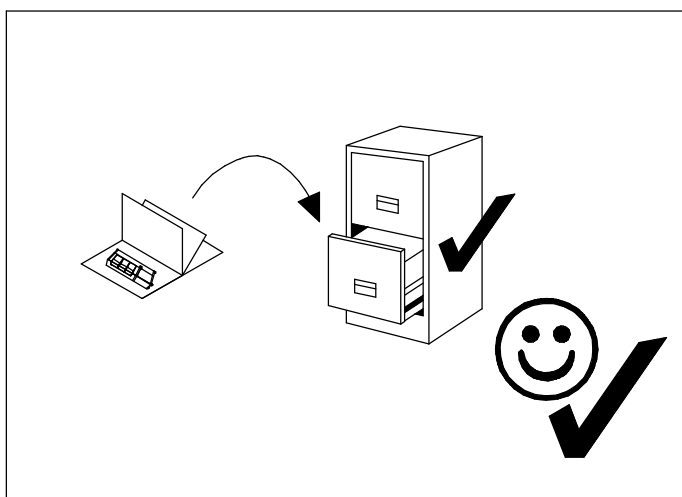
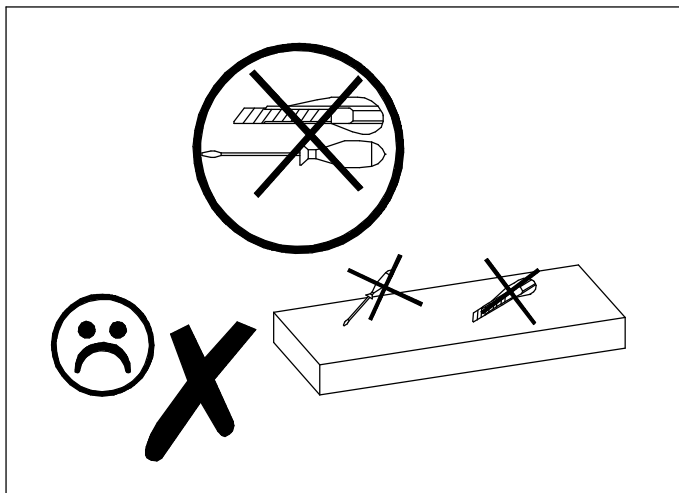
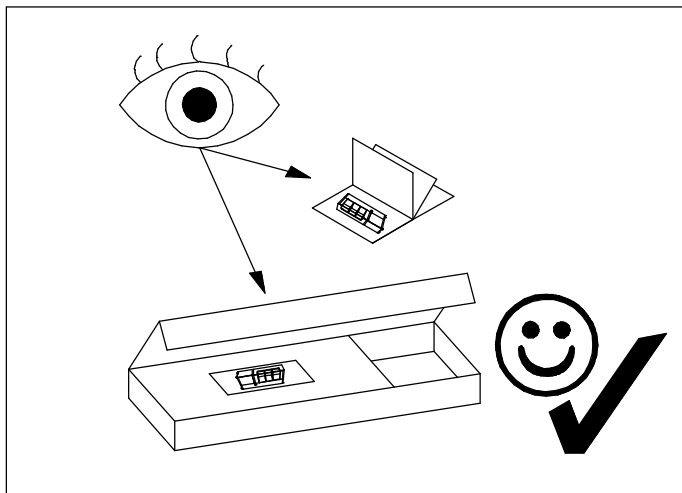


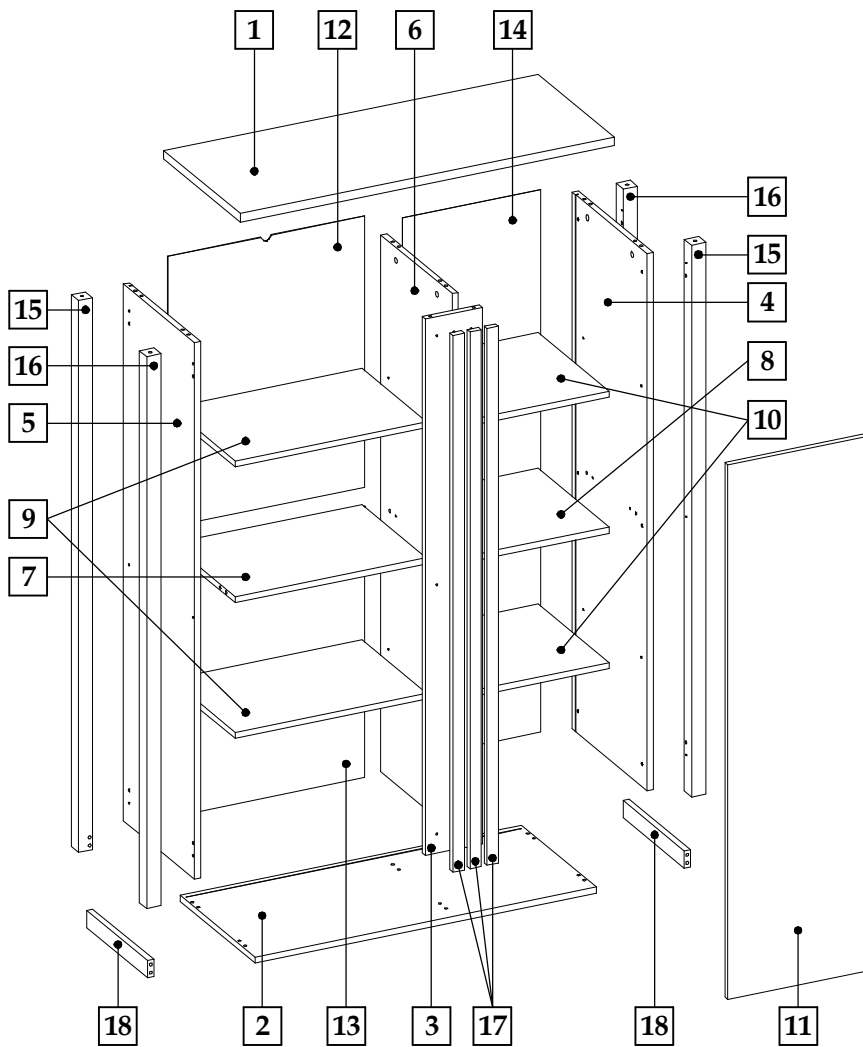
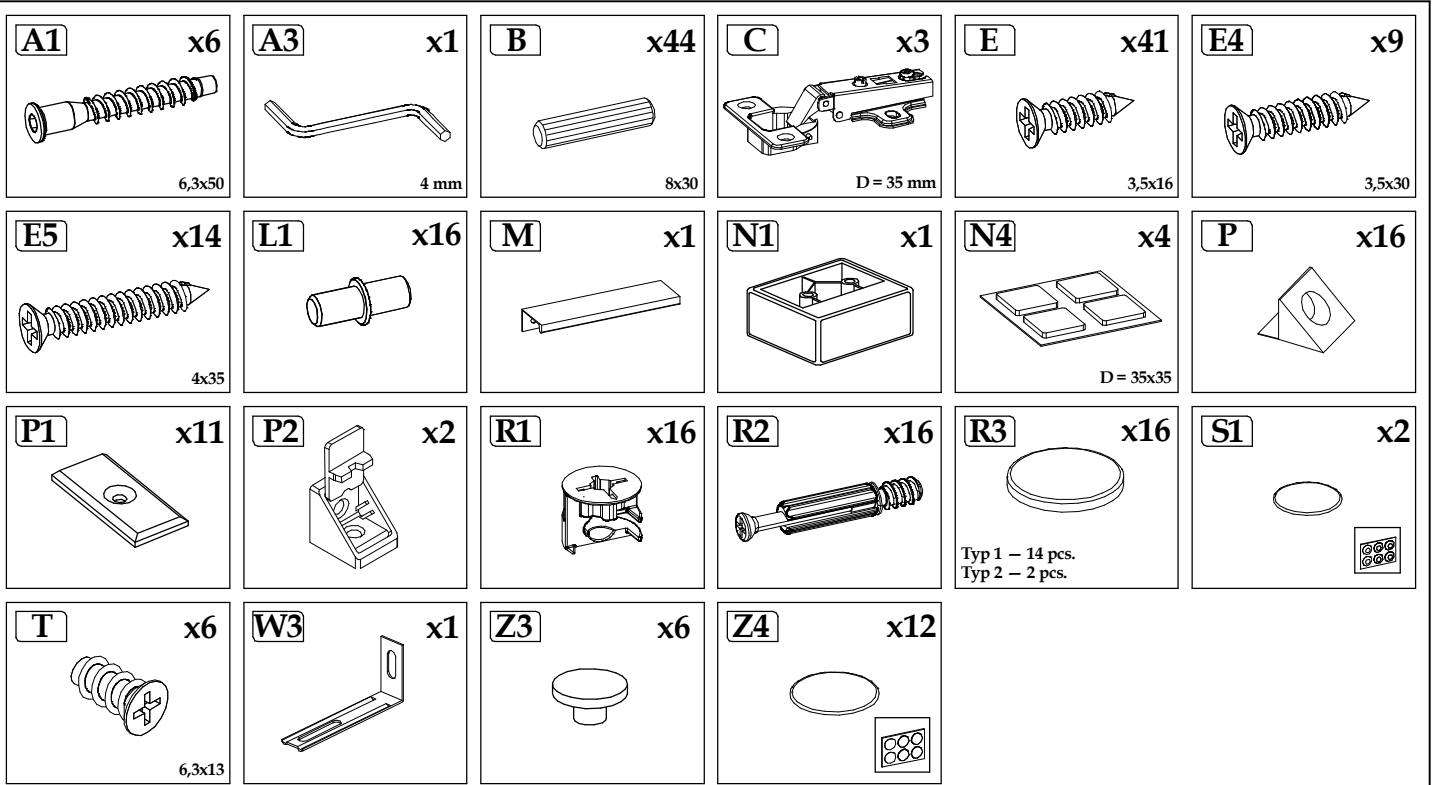
HELIX I



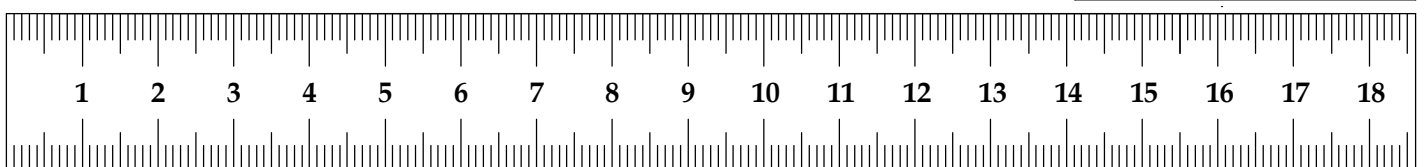
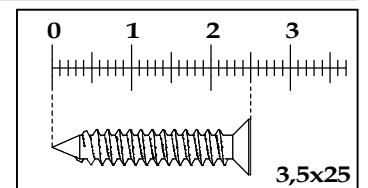
80 min



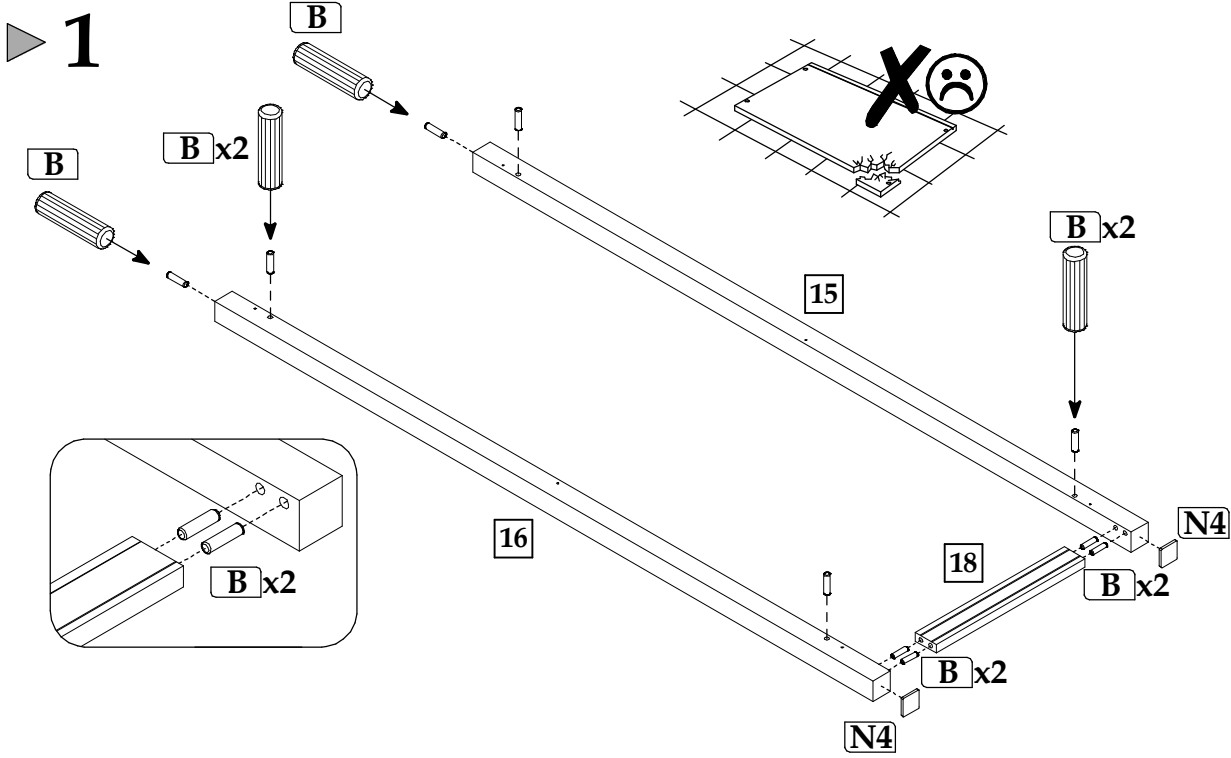




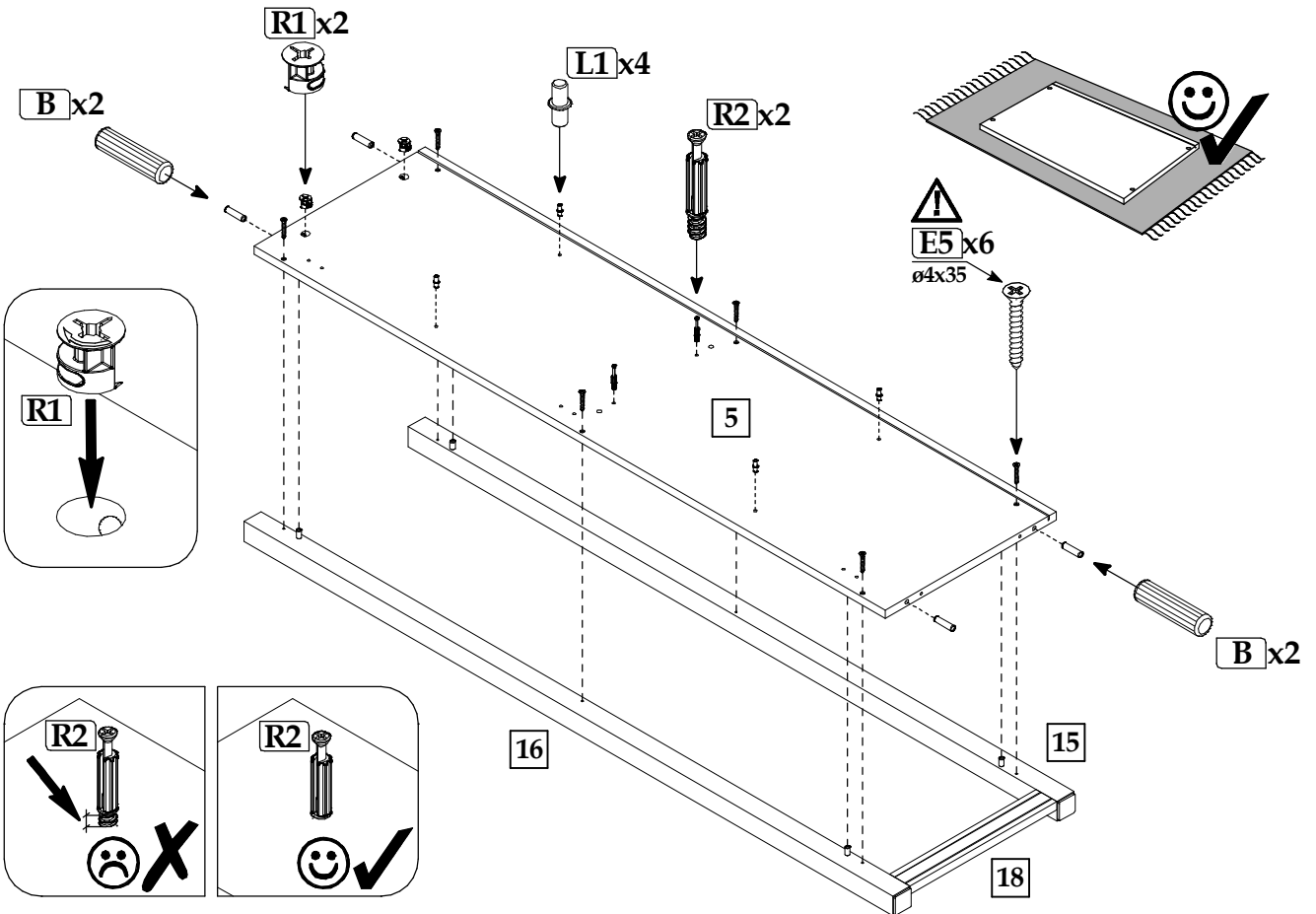
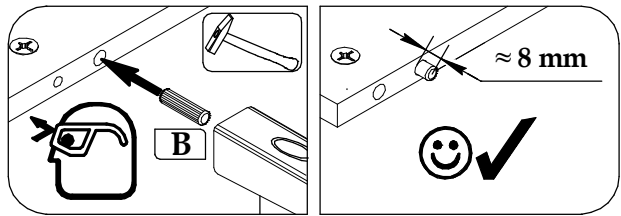
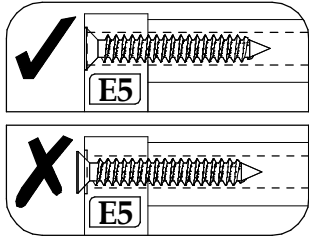
Element symbol	Measurements				Code	Pack
	1	2	3	4		
1	990	405	22	1	1001	1/ 2
2	904	398	16	1	1012	1/ 2
3	155	1394	16	1	1009	1/ 2
4	1394	397	16	1	1010	1/ 2
5	1394	378	16	1	1011	1/ 2
6	1394	379	16	1	1017	1/ 2
7	506	343	16	1	1014	1/ 2
8	350	378	16	1	1018	1/ 2
9	506	343	16	2	N/ A	1/ 2
10	350	378	16	2	N/ A	1/ 2
11	1388	372	16	1	1005	1/ 2
12	704	521	3	1	1020_v	1/ 2
13	704	521	3	1	N/ A	1/ 2
14	1408	365	3	1	N/ A	1/ 2
15	1433	38	38	2	P38_1433x38_T1	2/ 2
16	1433	38	38	2	P38_1433x38_T2	2/ 2
17	1394	30	16	3	P16_1394x30x16	1/ 2
18	324	45	16	2	P16_324x45x16	1/ 2



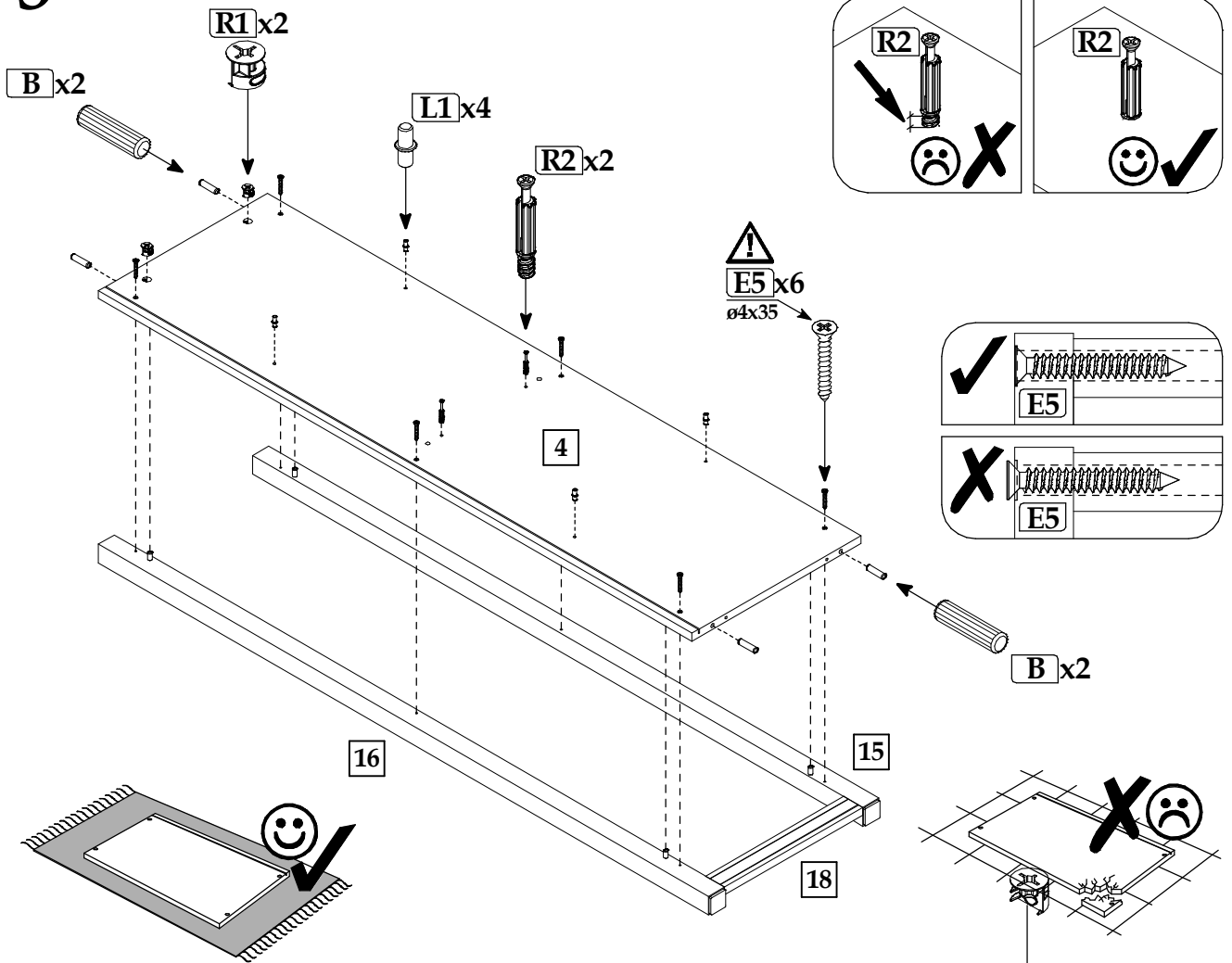
x2



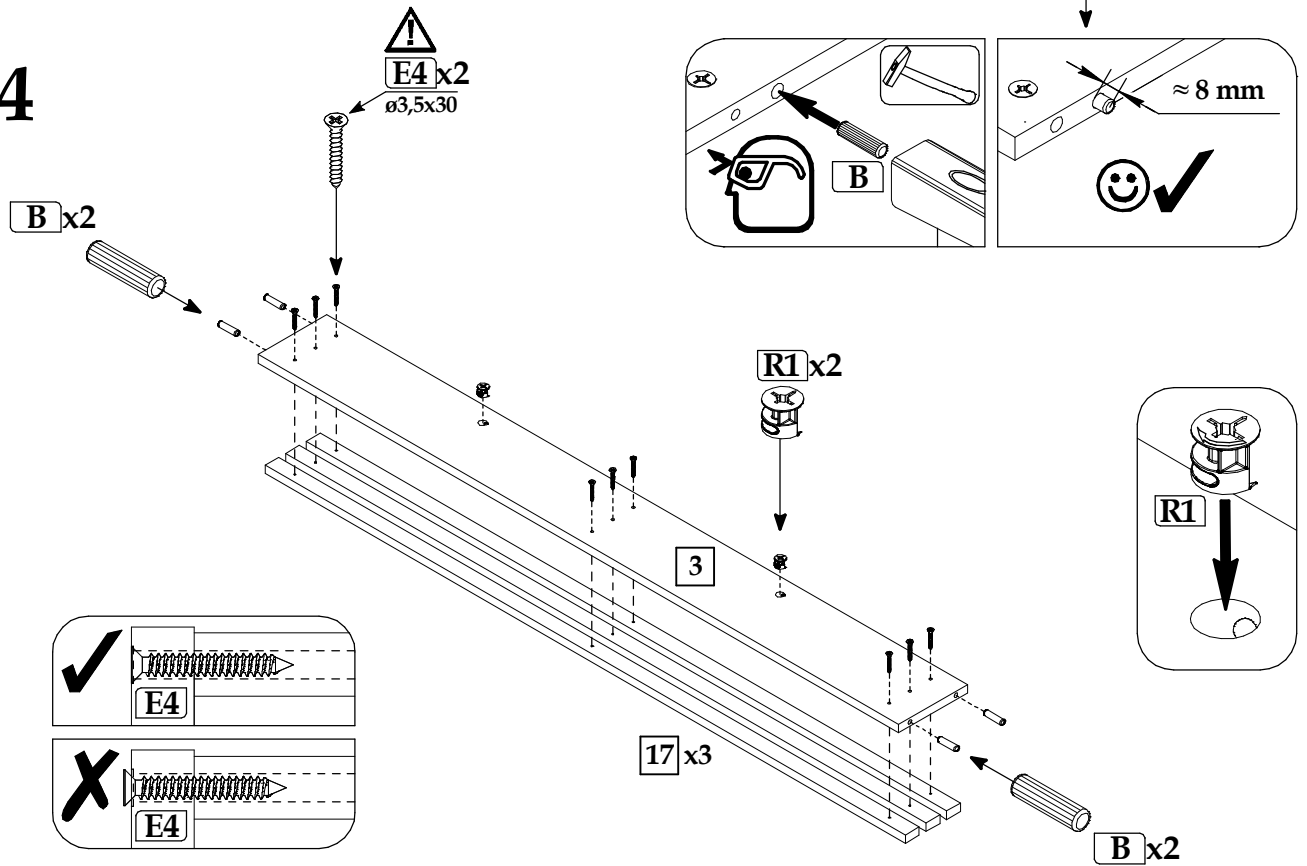
2



▶ 3



▶ 4

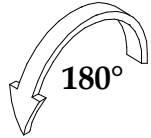
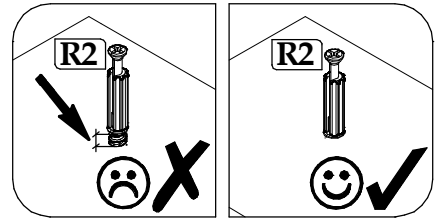


5

B x2

L1 x4

R2 x2

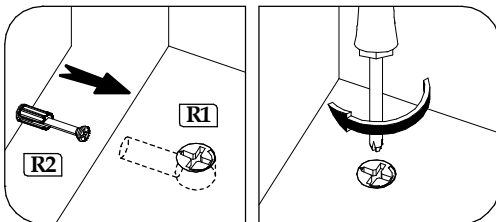
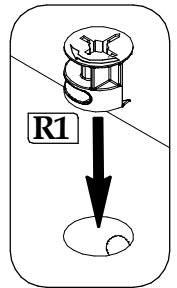


L1 x4

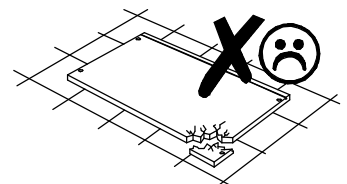
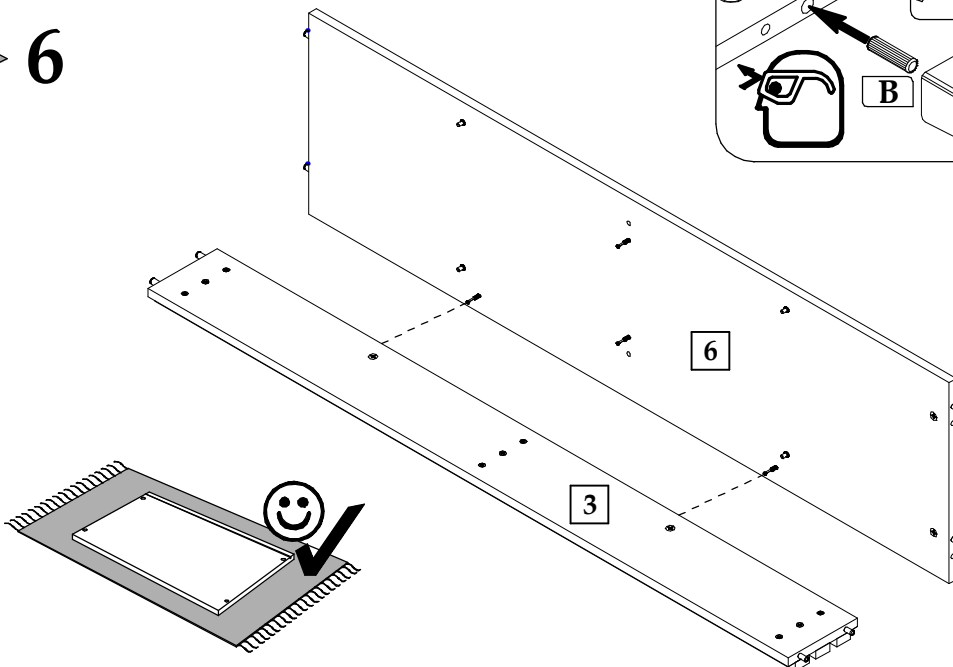
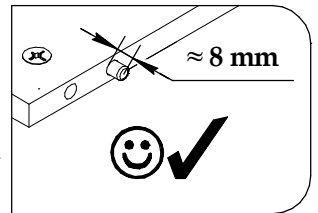
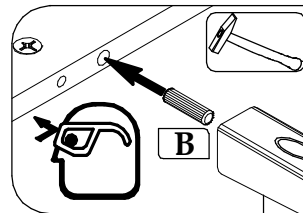
R2 x4

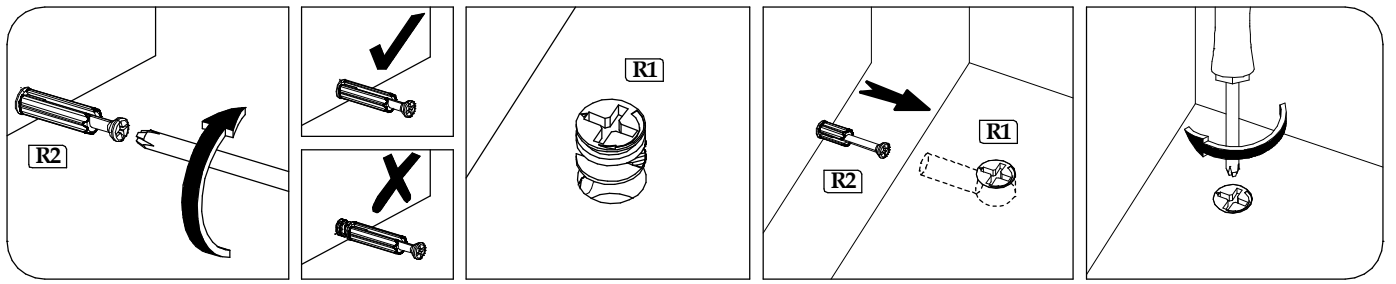
B x2

R1 x2

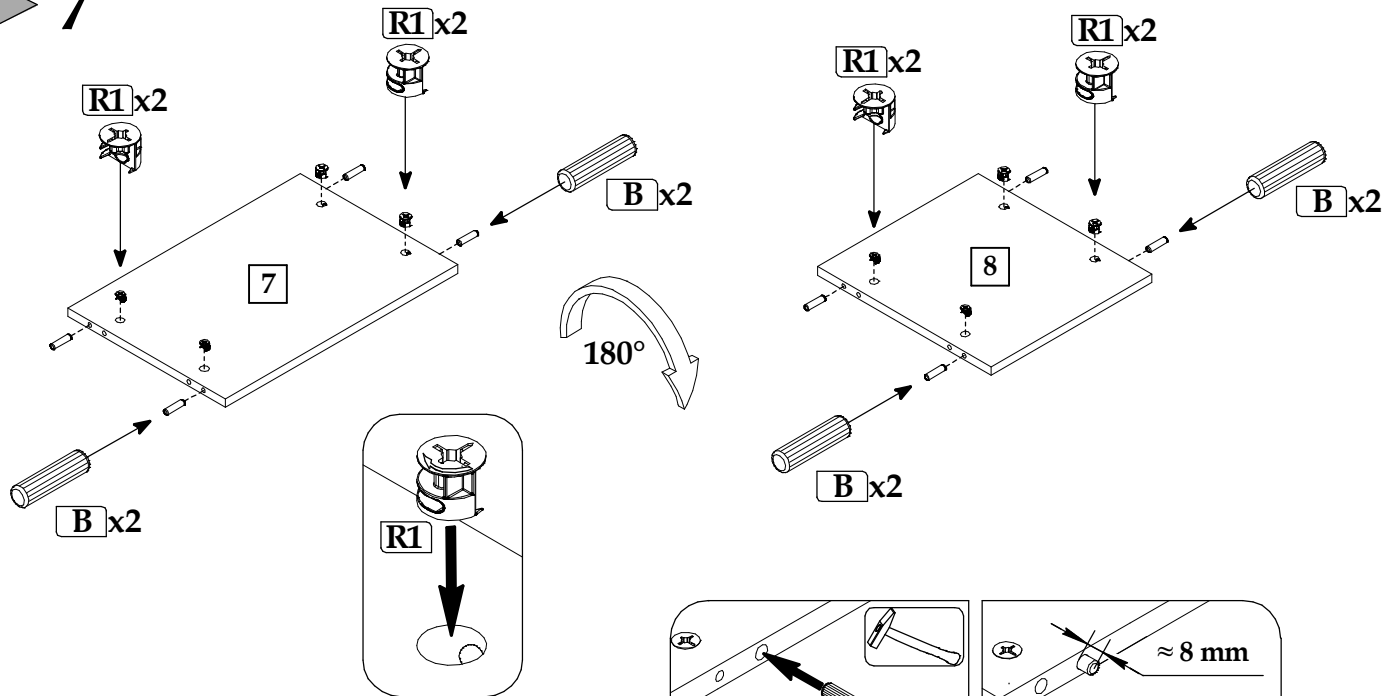


6

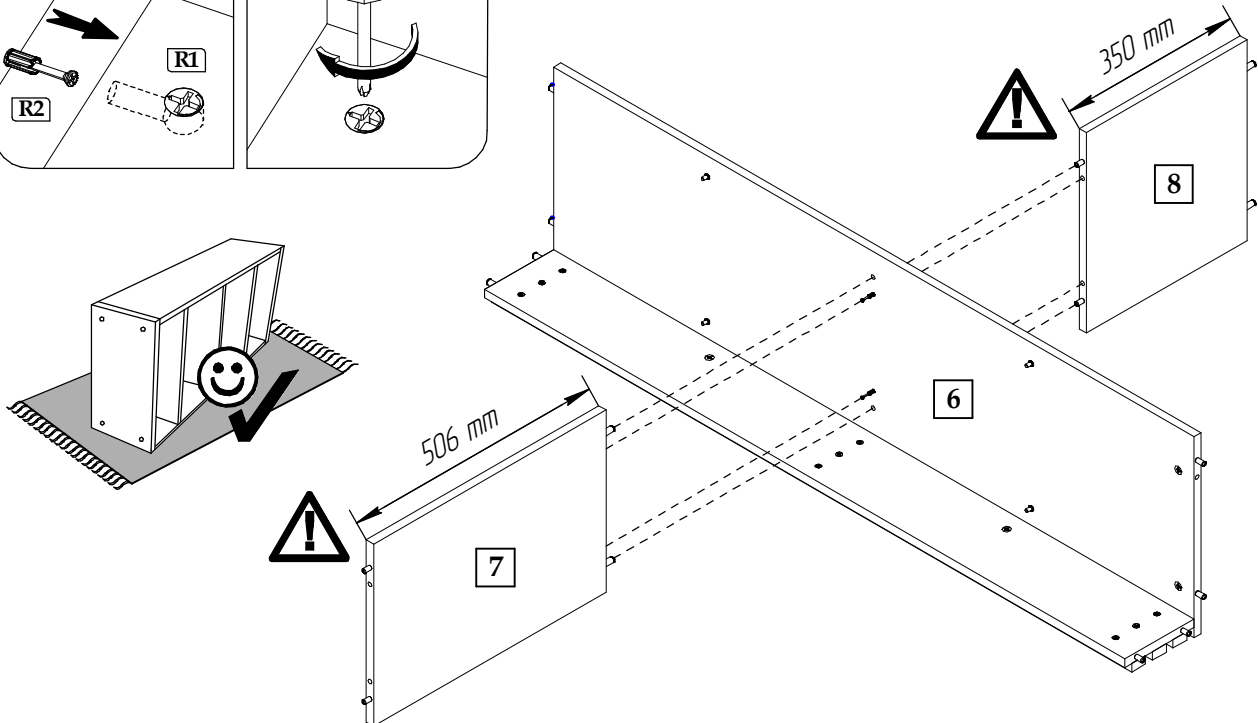
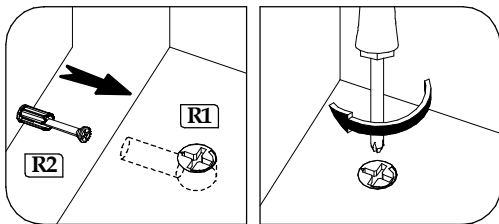
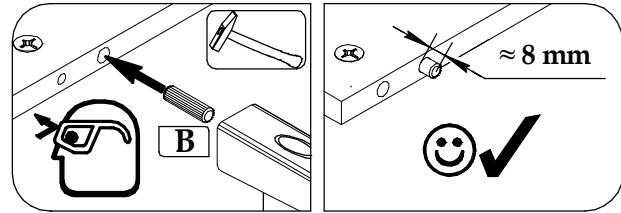


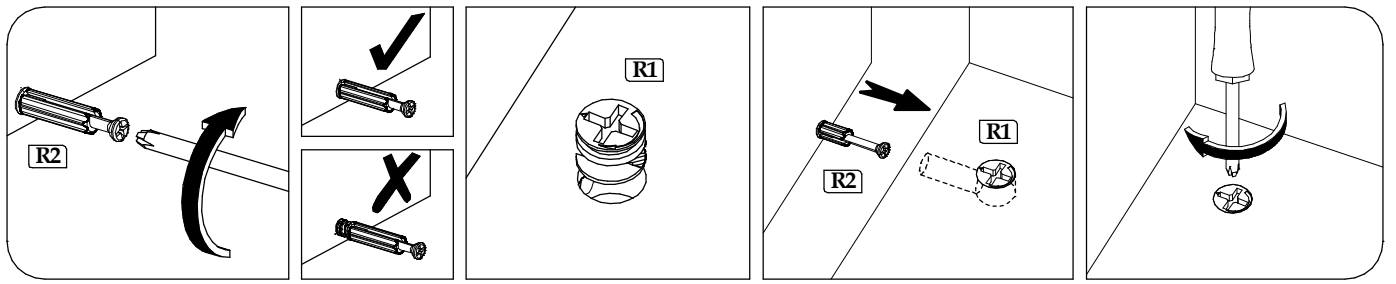


▶ 7

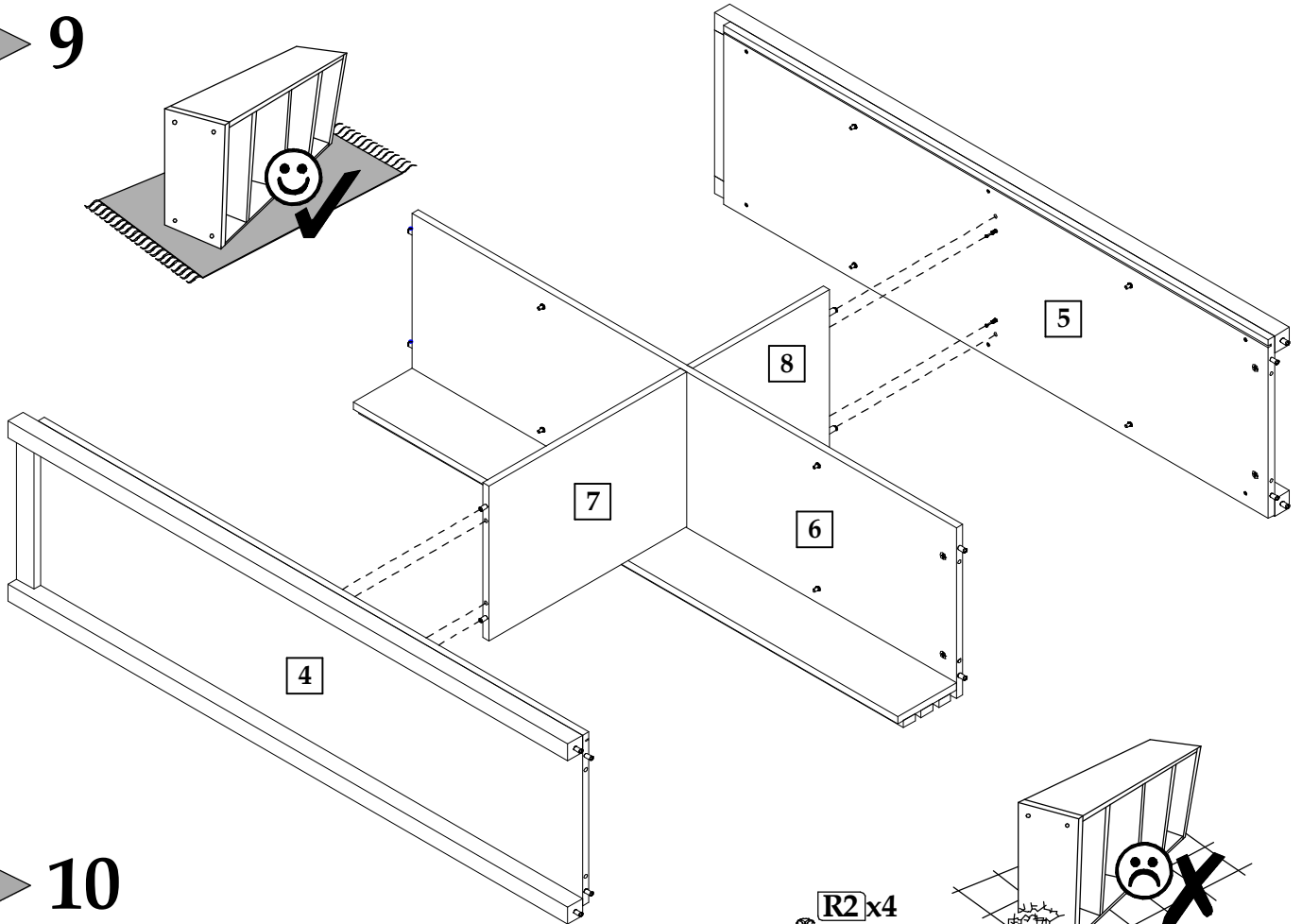
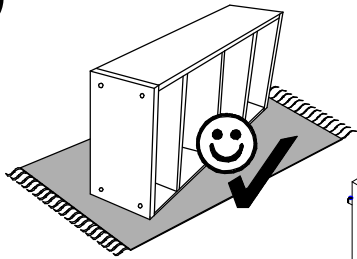


▶ 8

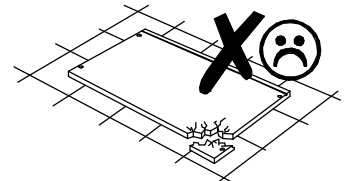
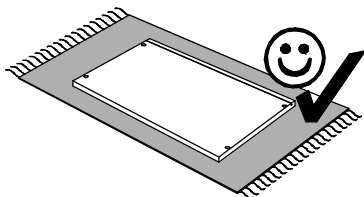
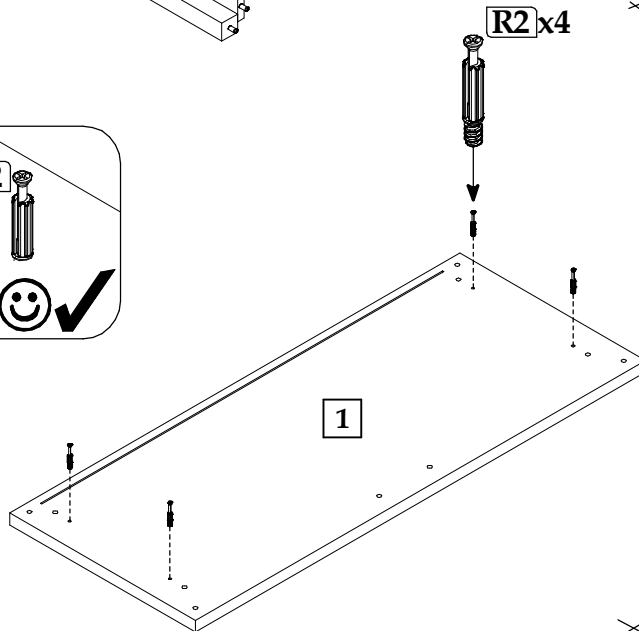
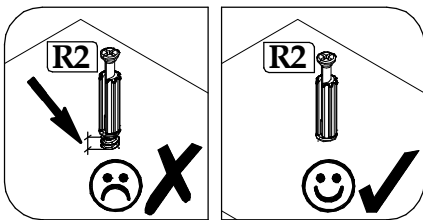
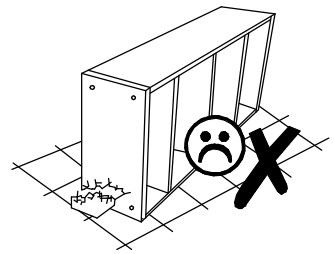




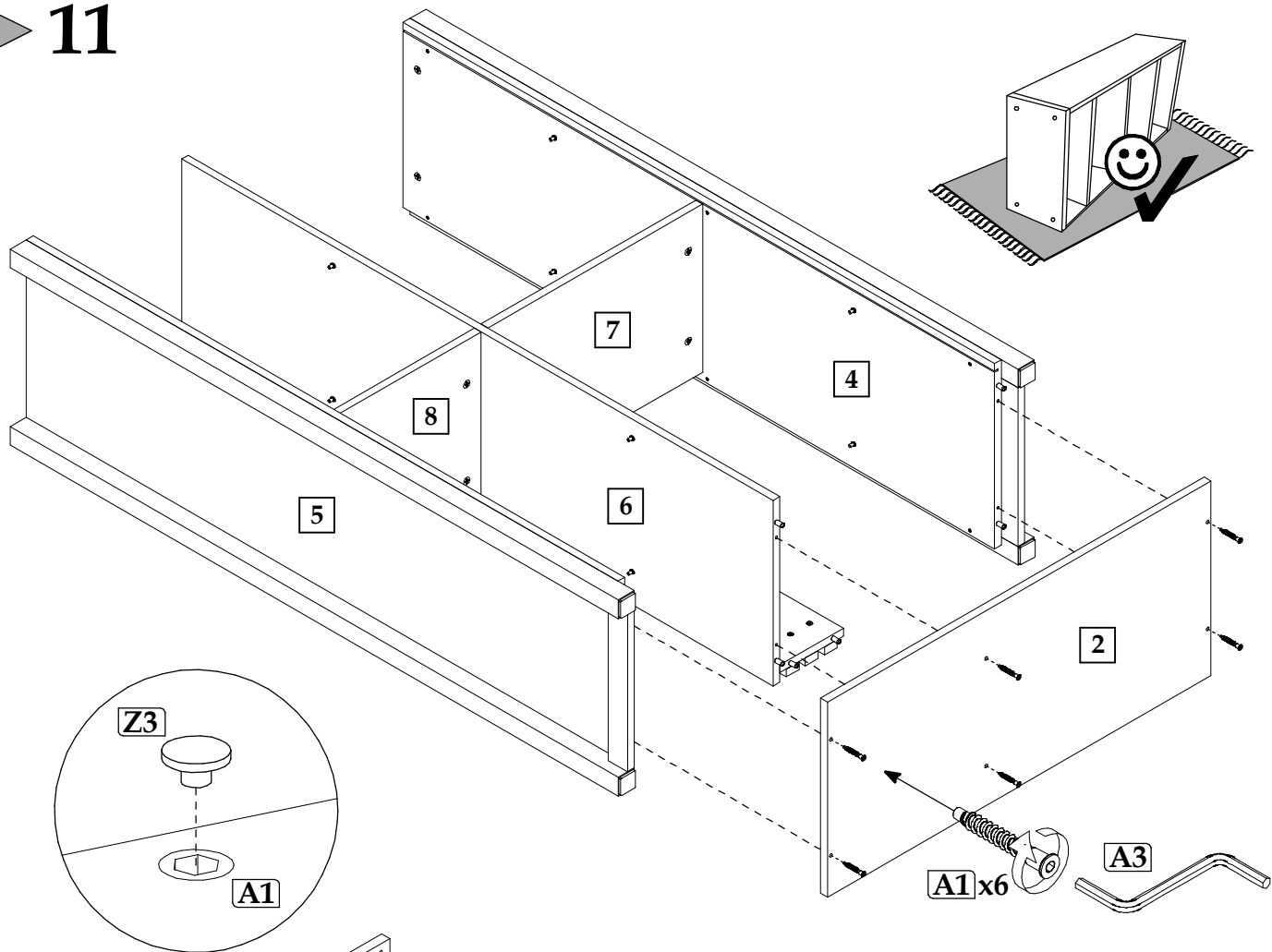
▶ 9



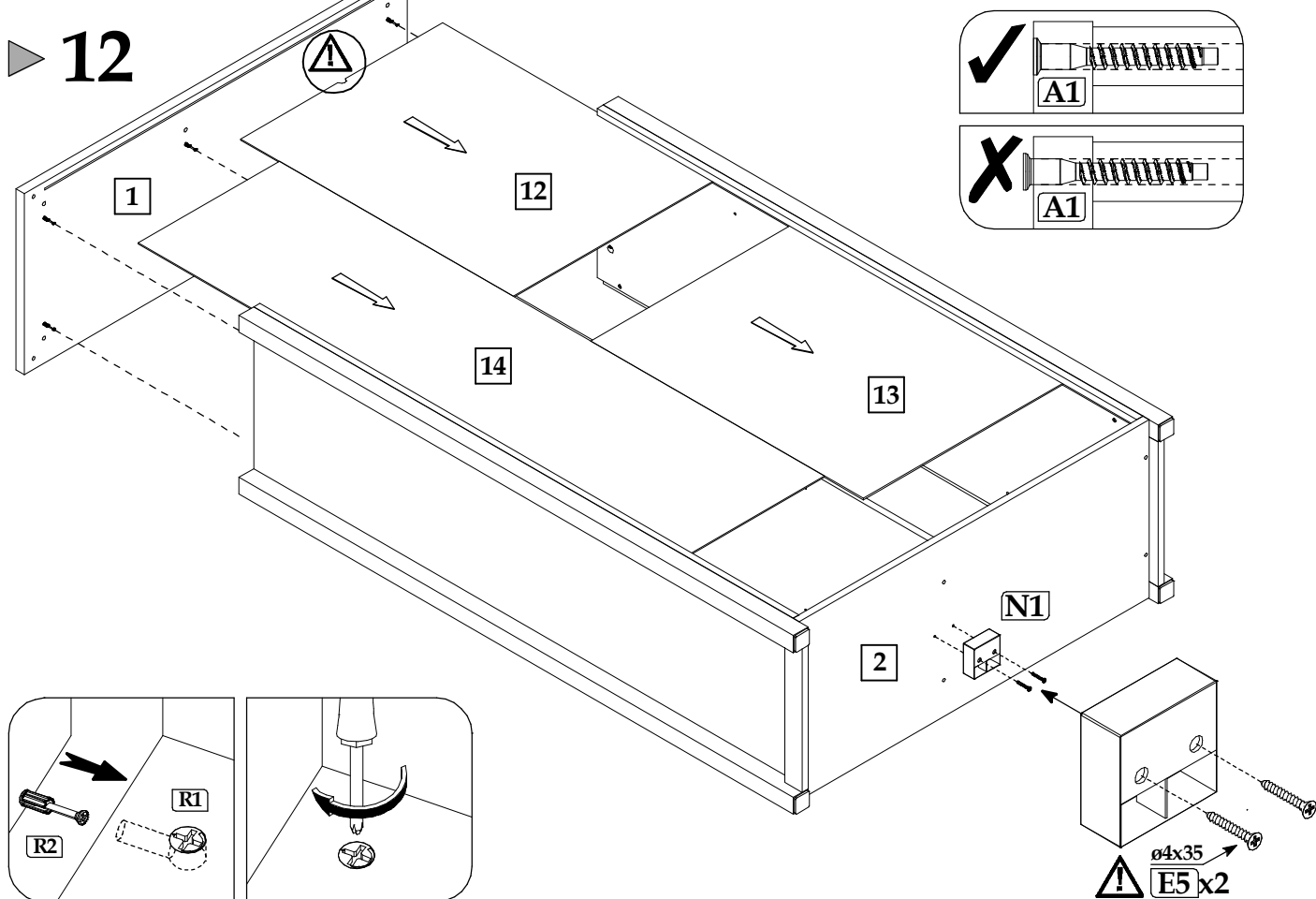
▶ 10



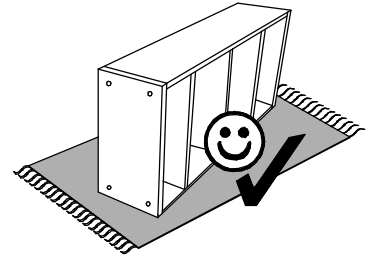
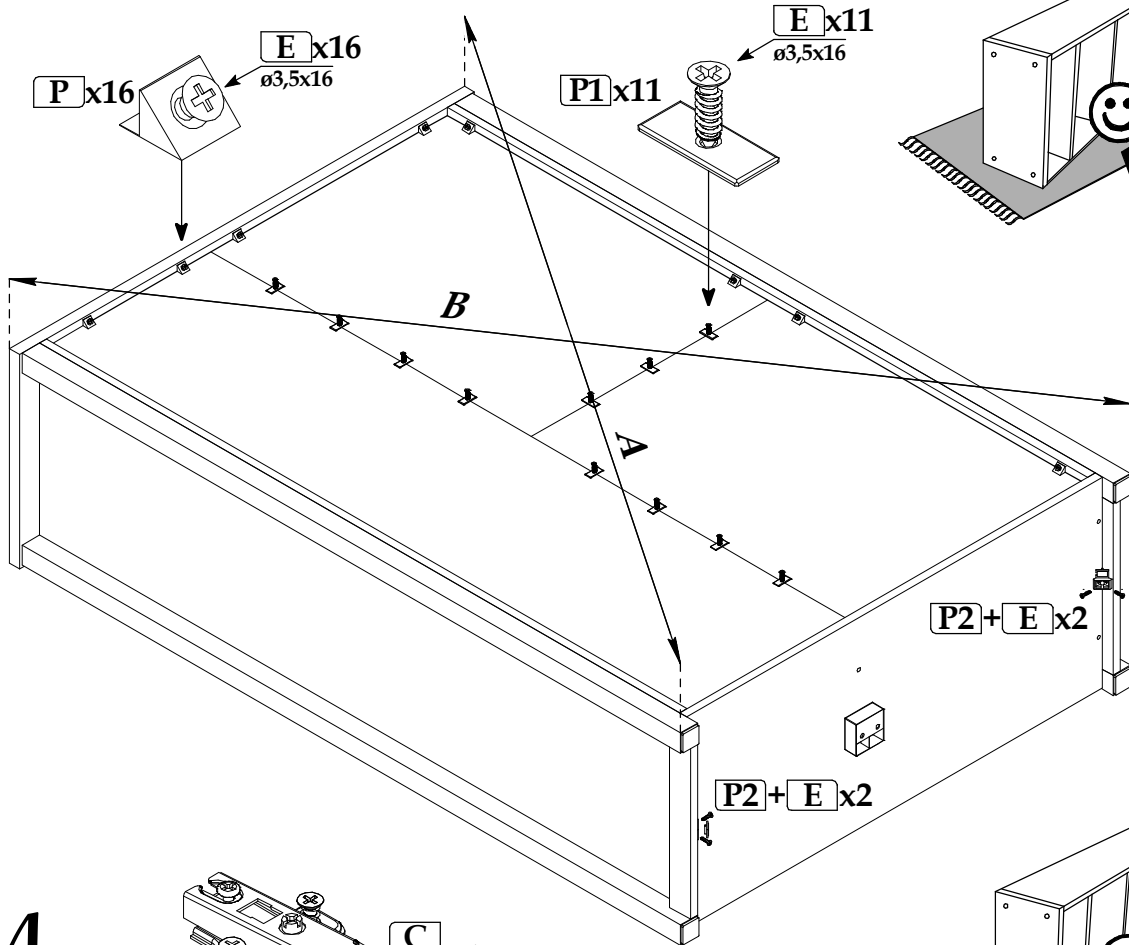
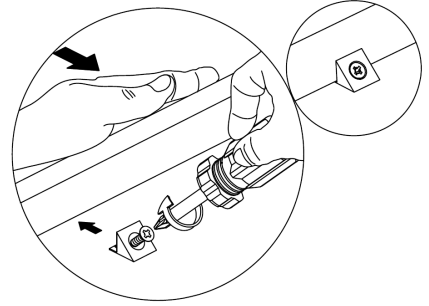
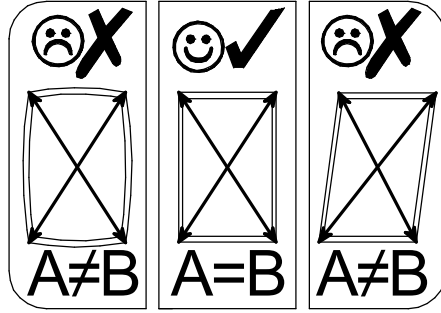
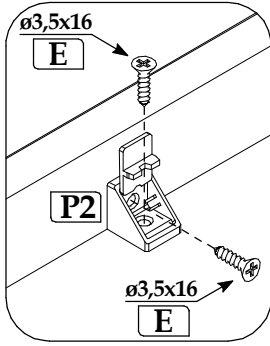
▶ 11



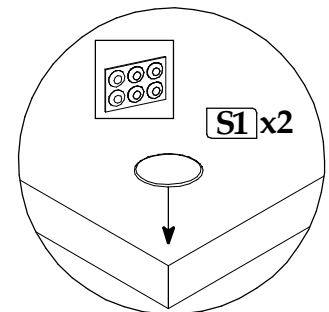
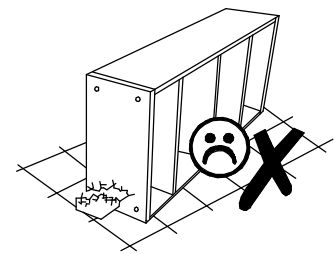
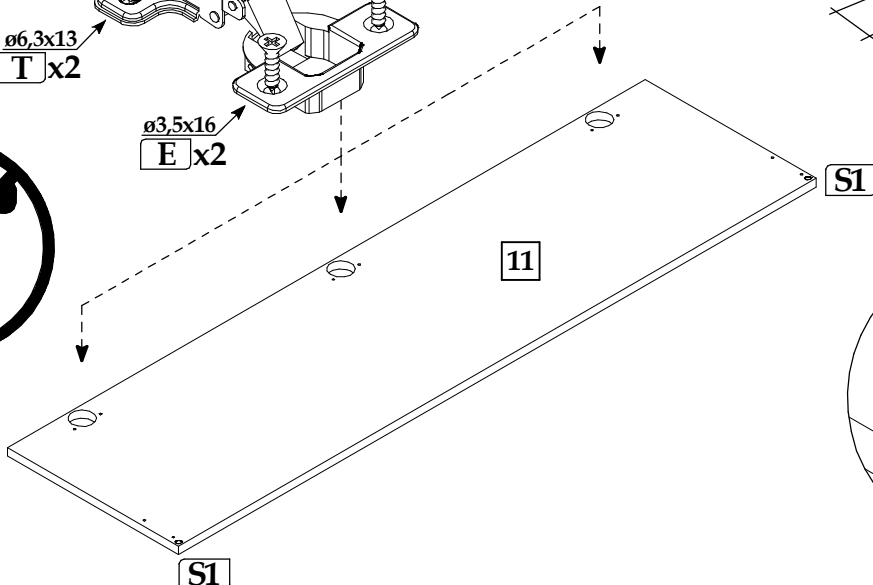
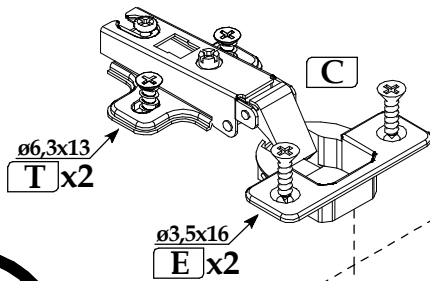
▶ 12



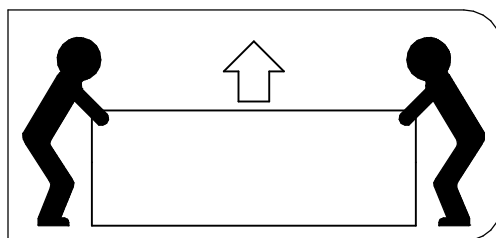
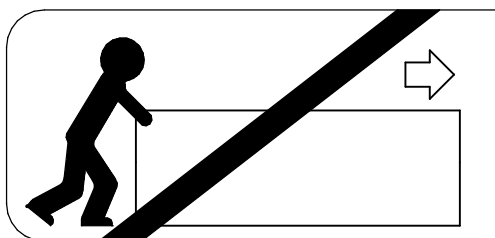
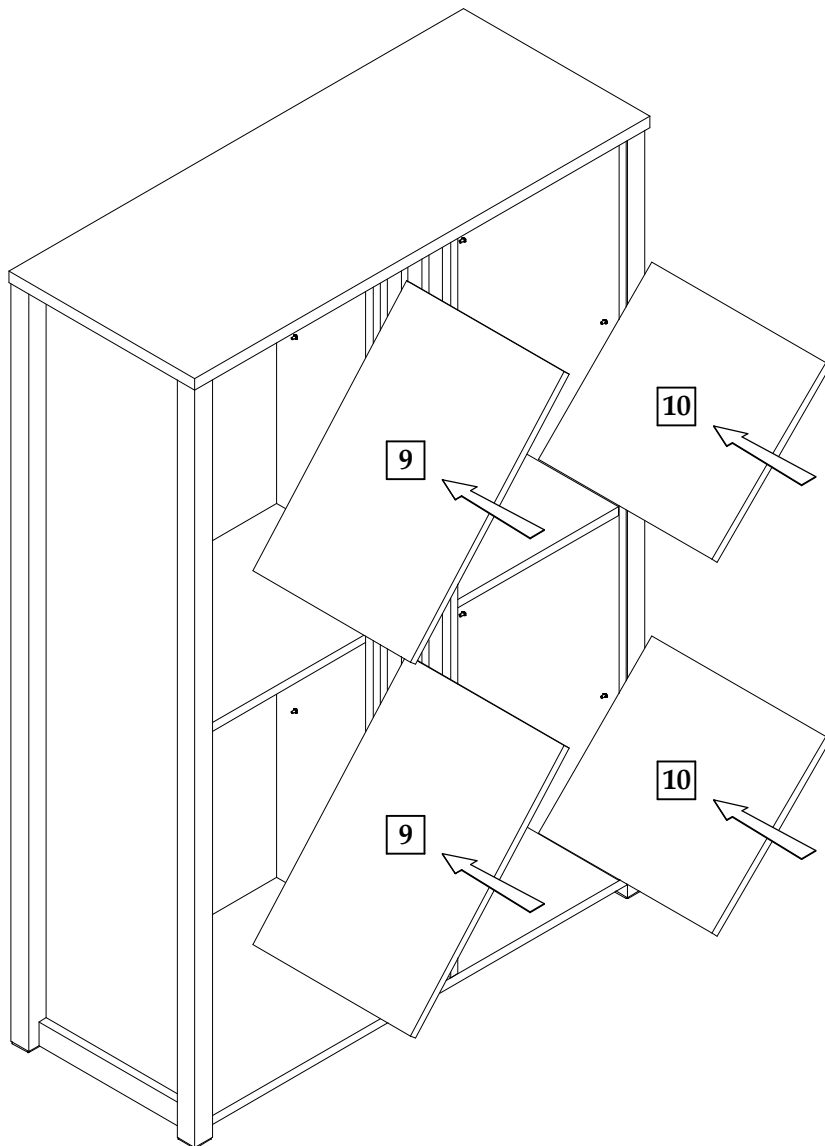
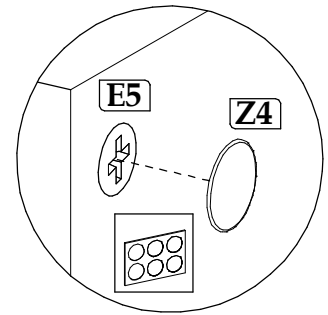
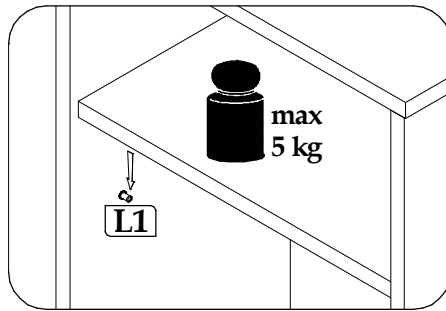
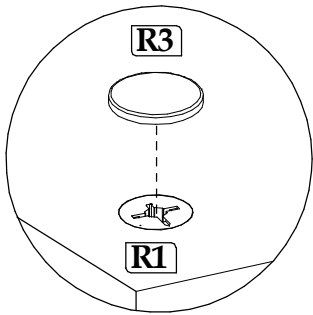
▶ 13



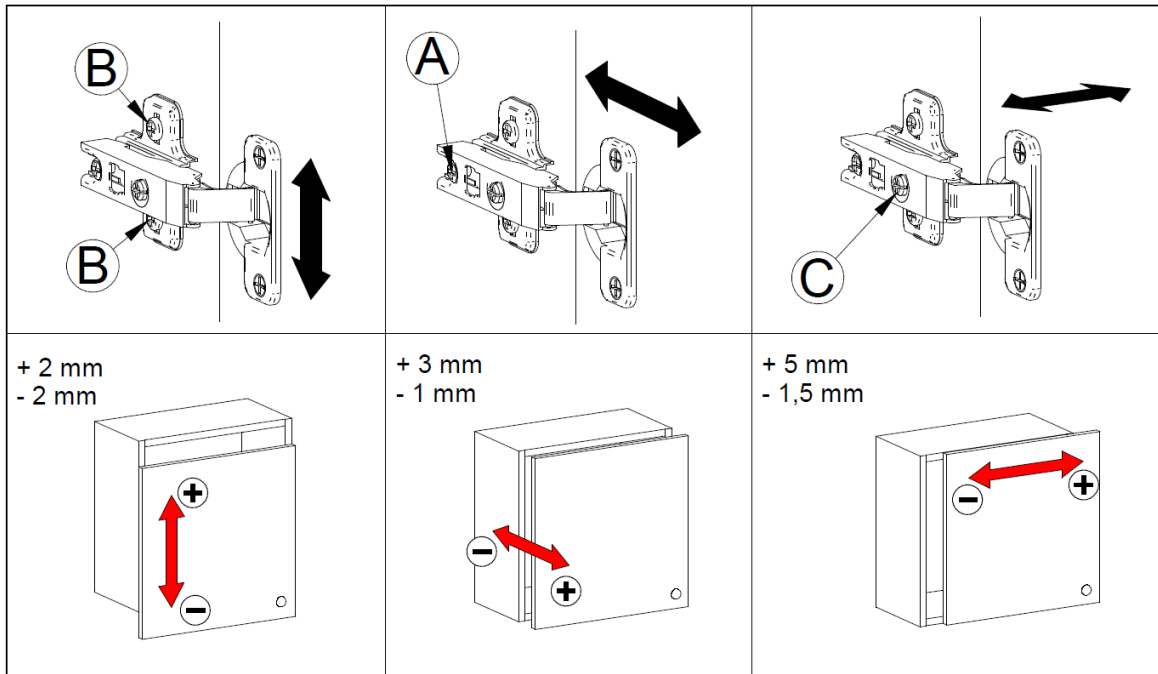
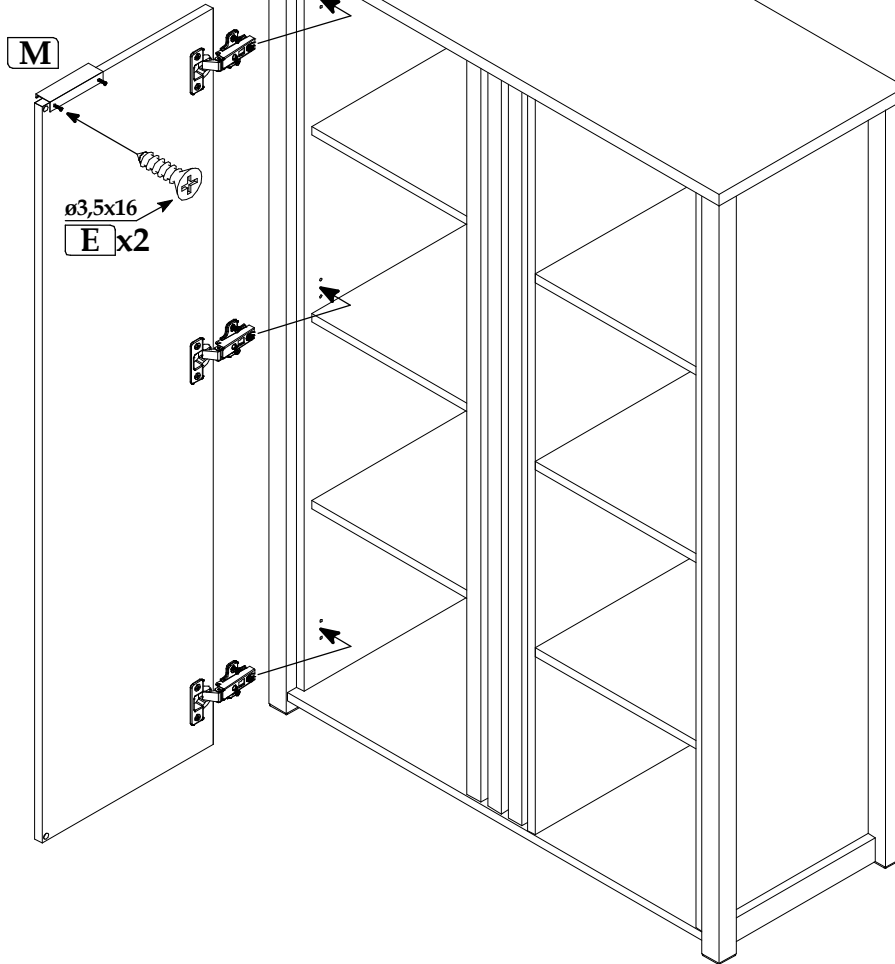
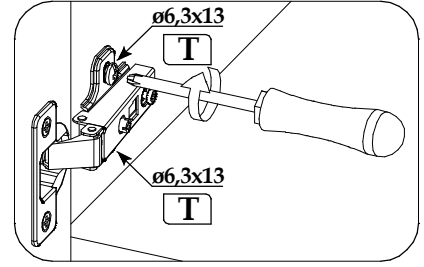
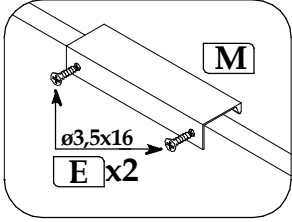
▶ 14



▶ 15



▶ 16



▶ 17

