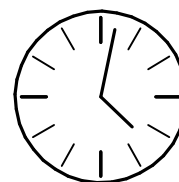
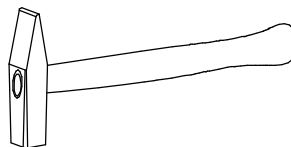
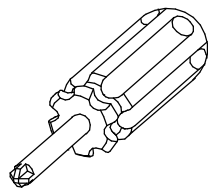
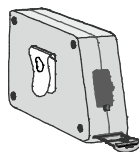
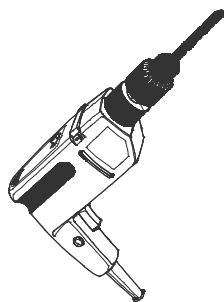
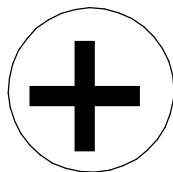
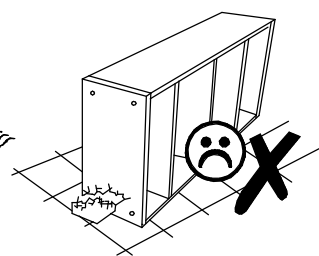
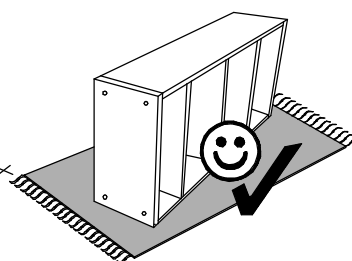
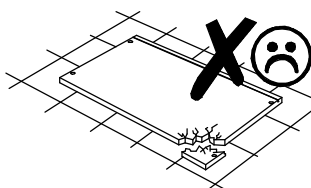
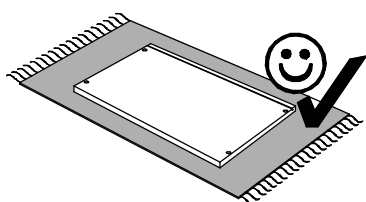
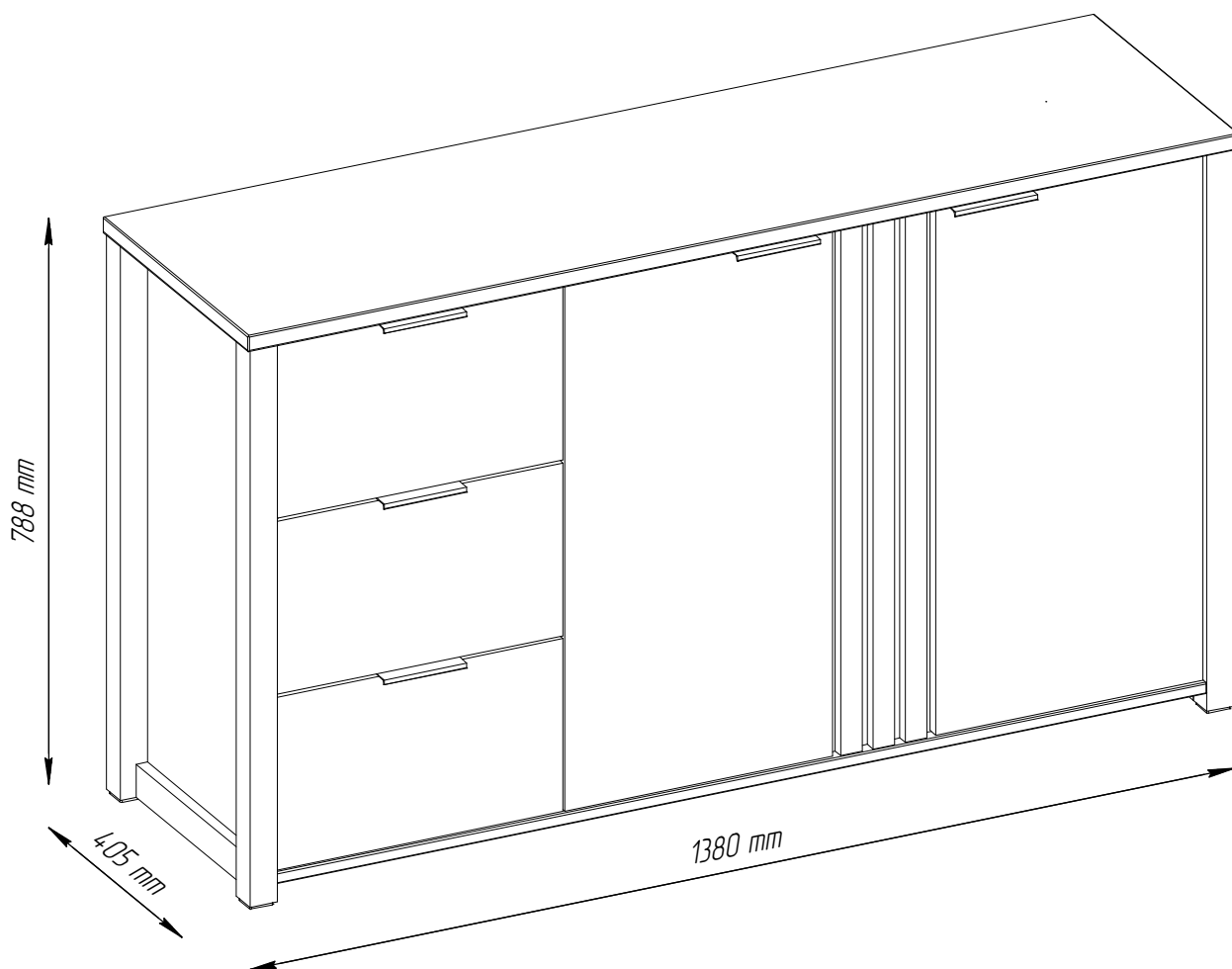
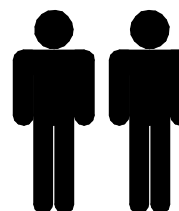
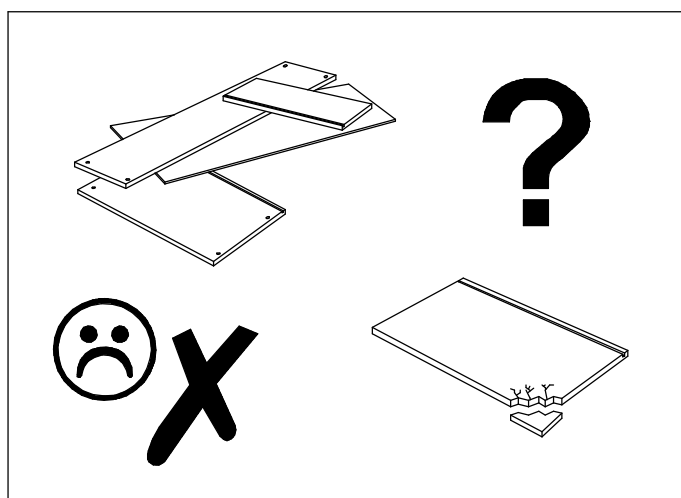
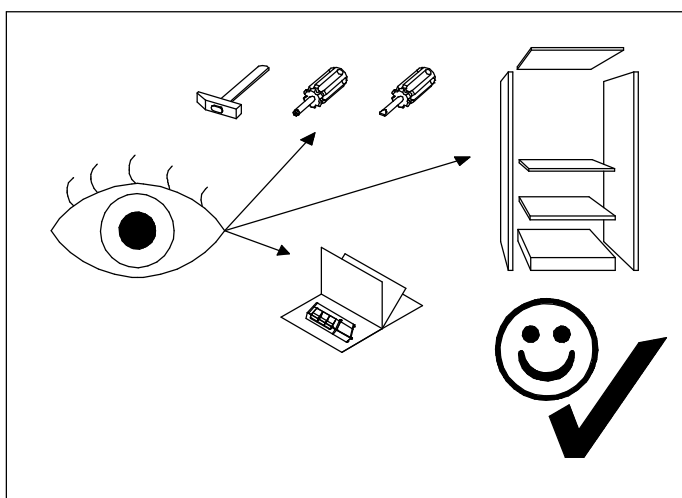
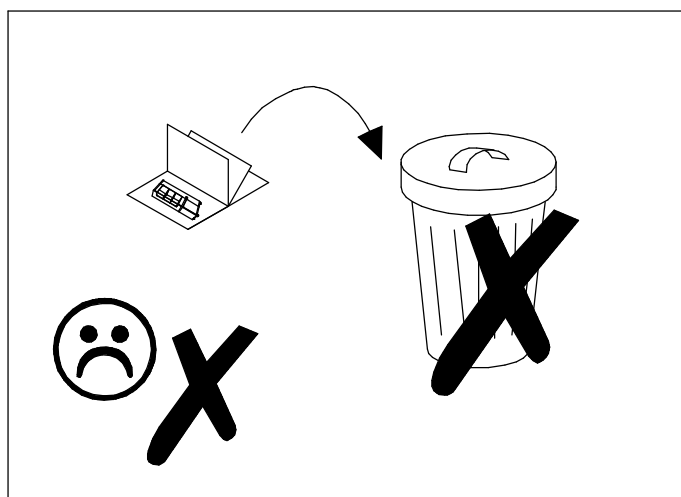
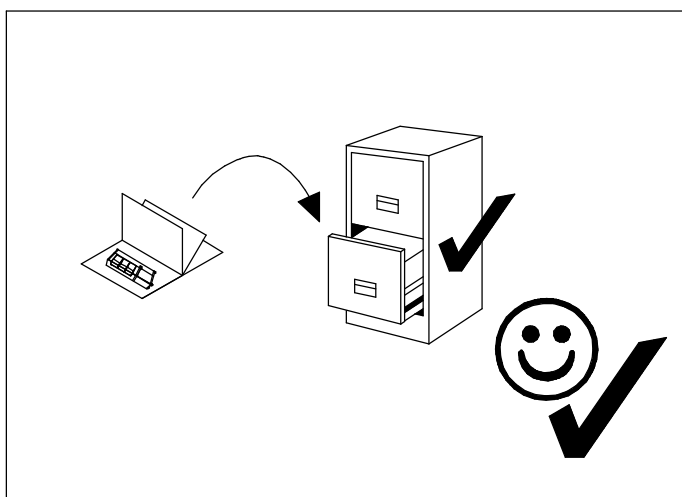
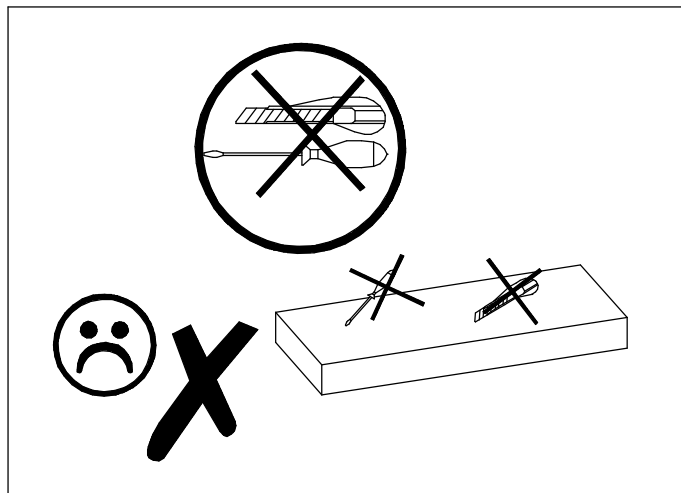
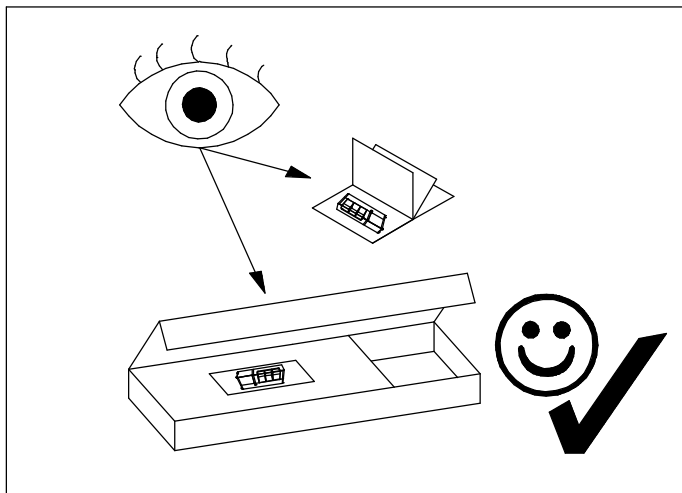


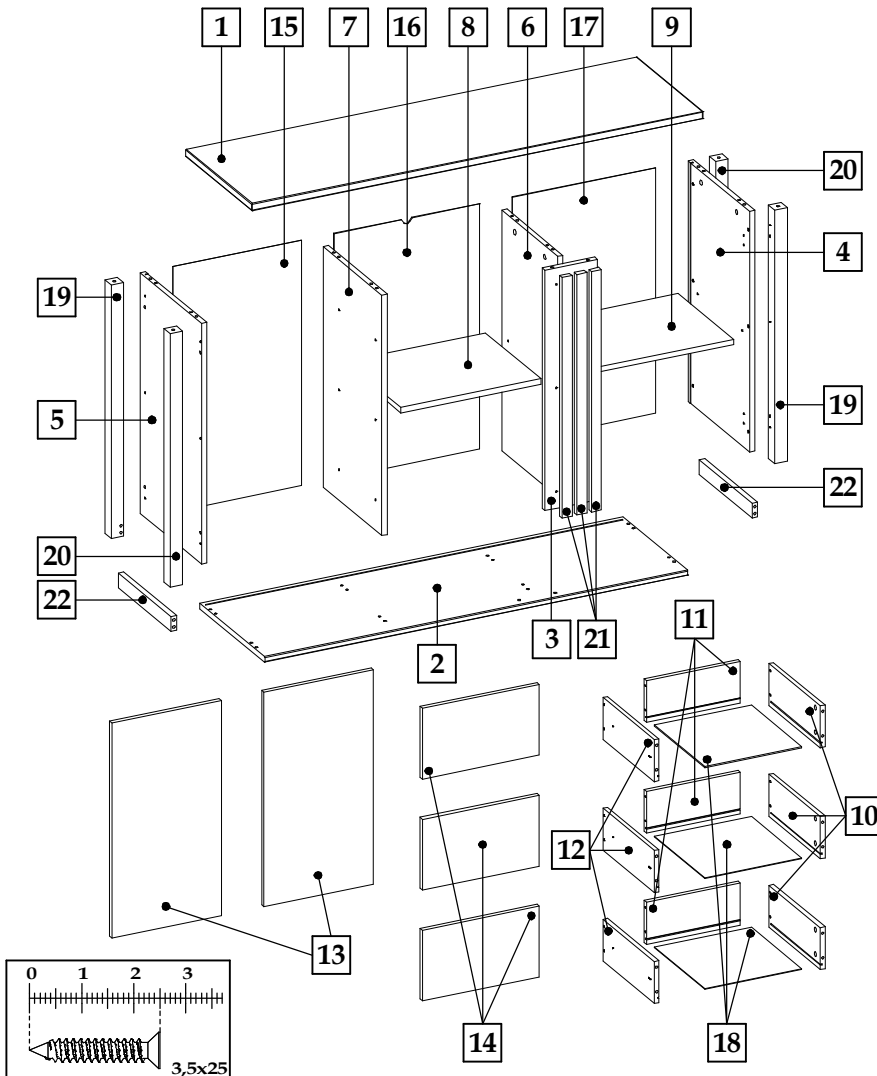
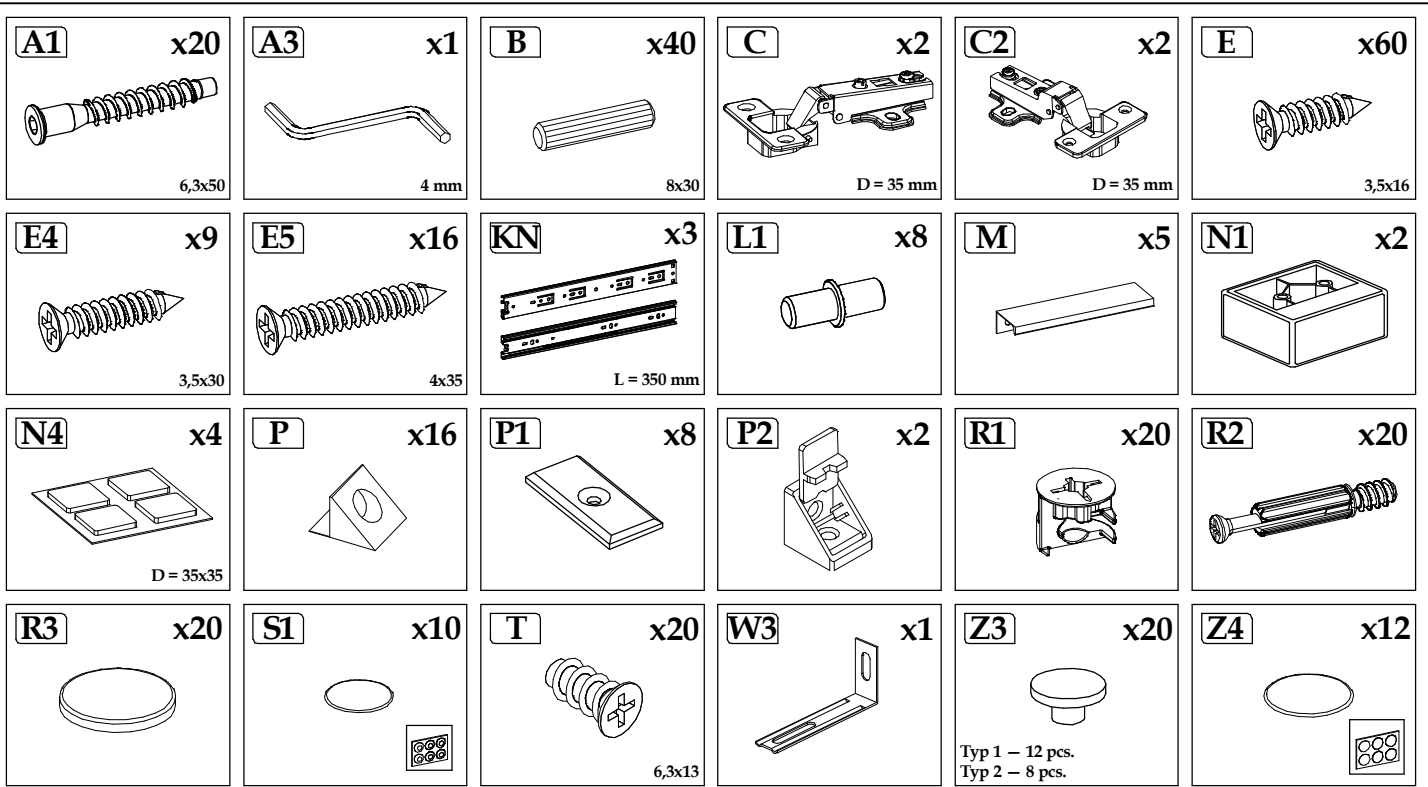
HELIX K



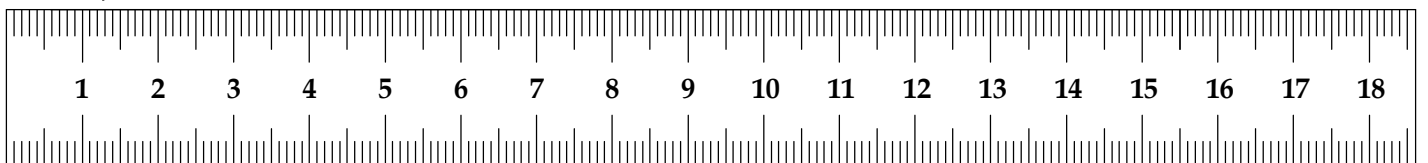
100 min

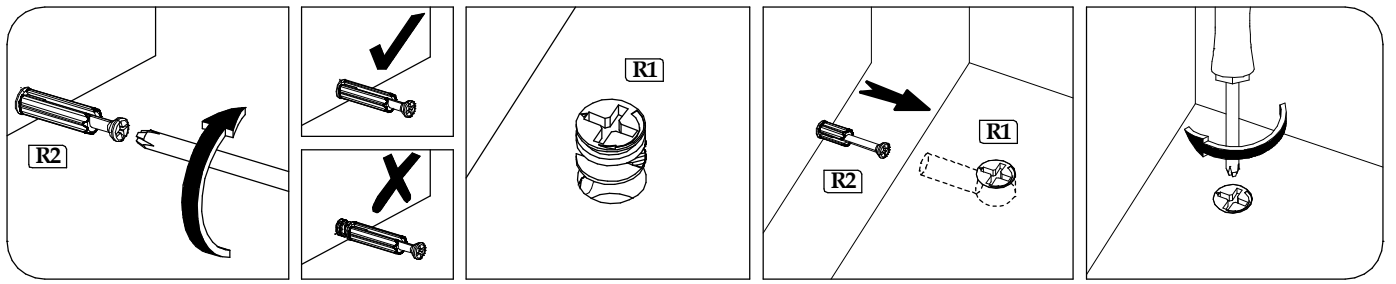




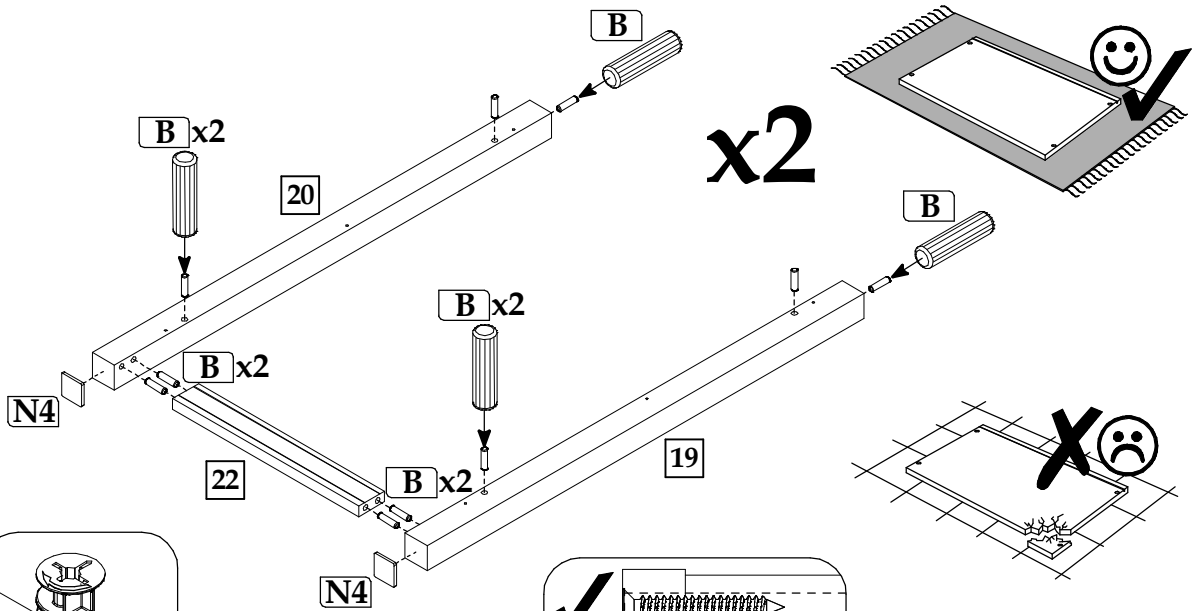
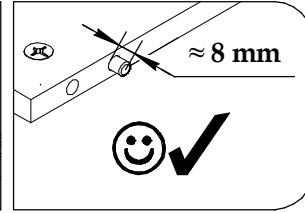
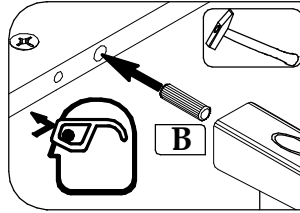
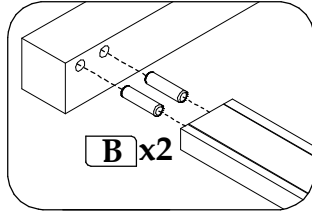


Element symbol	Measurements				Code	Pack
	1	2	3	4		
1	1380	405	22	1	1001	1/ 2
2	1294	398	16	1	1013	1/ 2
3	160	722	16	1	1009	2/ 2
4	722	378	16	1	1011	2/ 2
5	722	378	16	1	1012	2/ 2
6	722	341	16	1	1042	1/ 2
7	722	360	16	1	1018	1/ 2
8	430	335	16	1	N/ A	1/ 2
9	423	335	16	1	N/ A	1/ 2
10	351	140	16	3	1027/ 1032/ 1037	1/ 2
11	320	139	16	3	1028/ 1033/ 1038	1/ 2
12	351	140	16	3	1029/ 1034/ 1039	1/ 2
13	716	372	16	2	1024/ 1025	2/ 2
14	397	236	16	3	1026/ 1031/ 1036	1/ 2
15	736	392	3	1	N/ A	2/ 2
16	736	445	3	1	1050	2/ 2
17	736	438	3	1	N/ A	2/ 2
18	330	344	3	3	N/ A	2/ 2
19	761	38	38	2	P38_761x38_T1	2/ 2
20	761	38	38	2	P38_761x38_T2	2/ 2
21	722	30	16	3	P16_722x30x16	2/ 2
22	324	45	16	2	P16_324x45x16	1/ 2

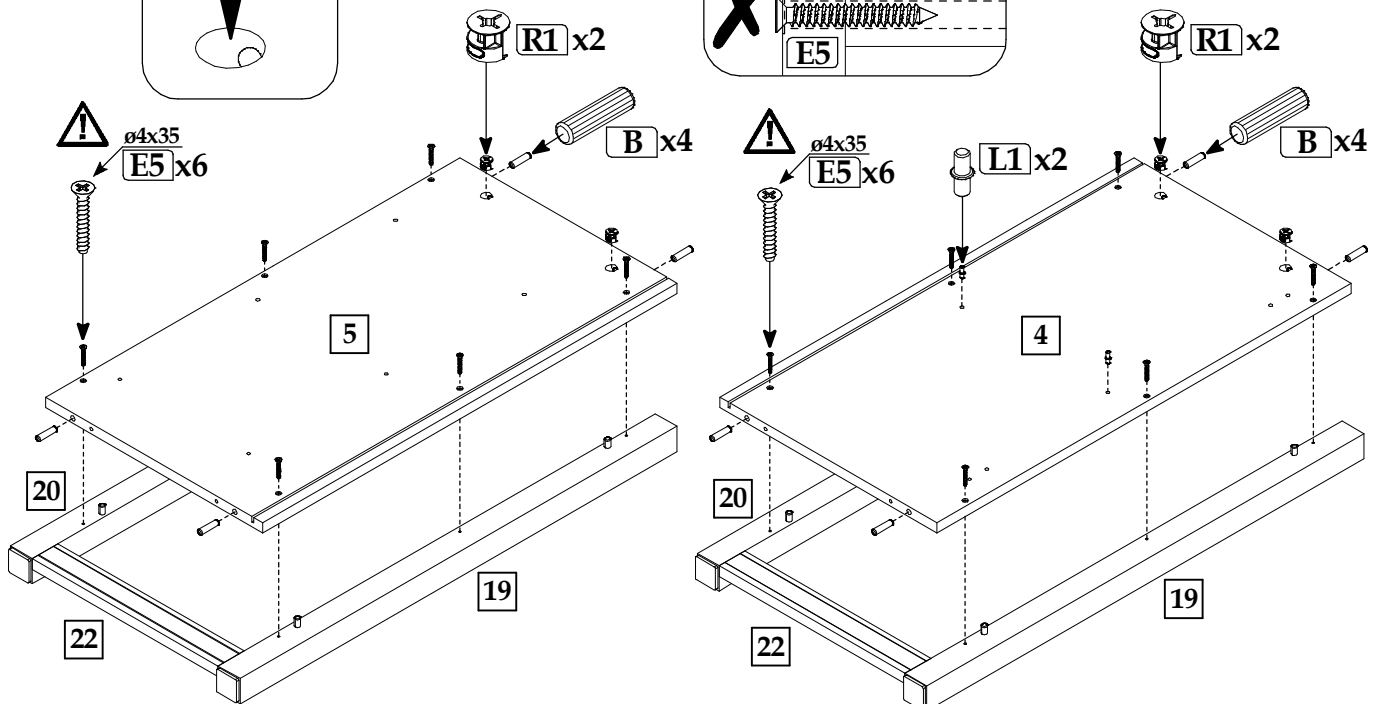
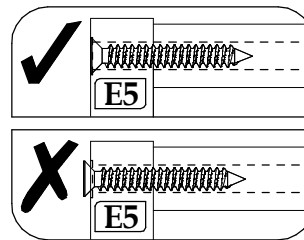
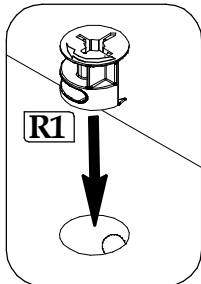




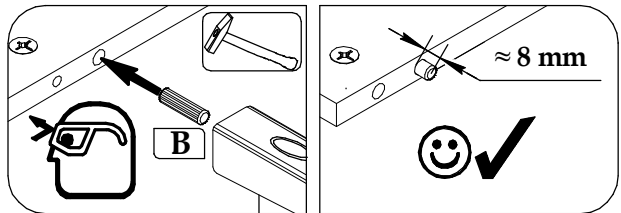
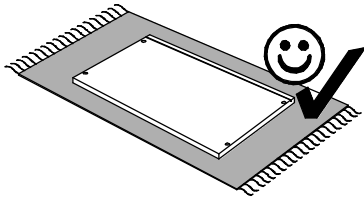
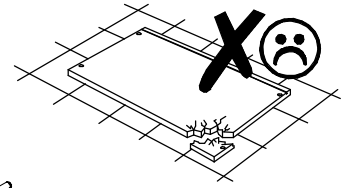
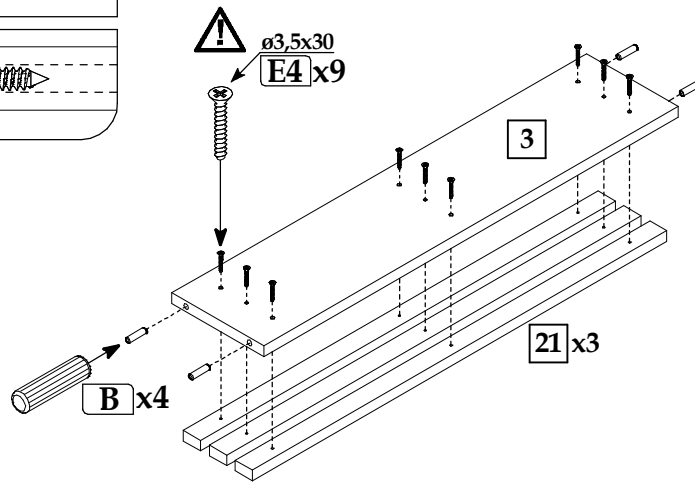
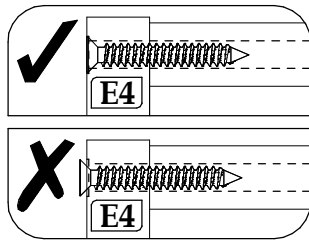
▶ 1



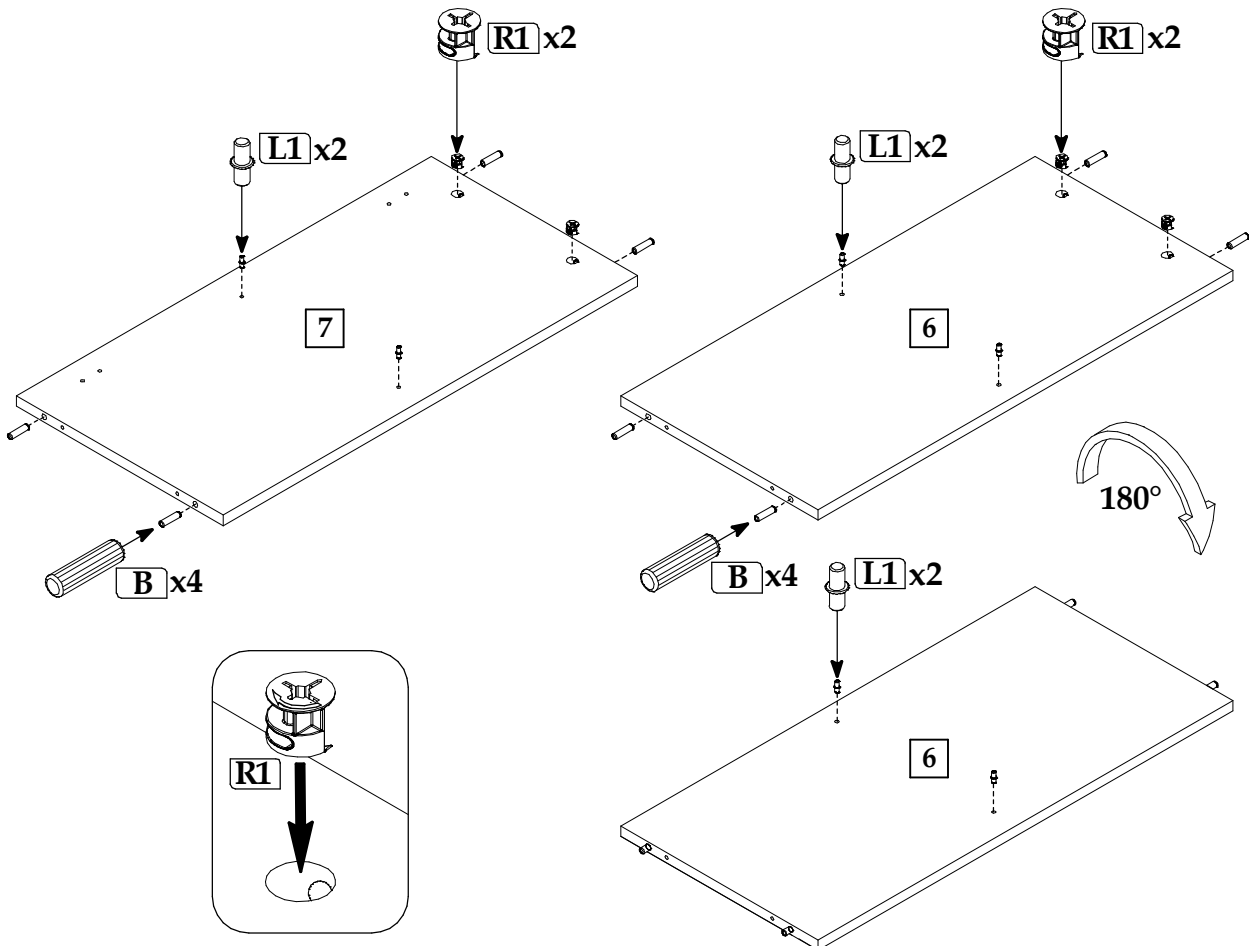
▶ 2

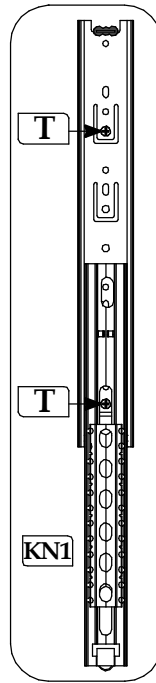
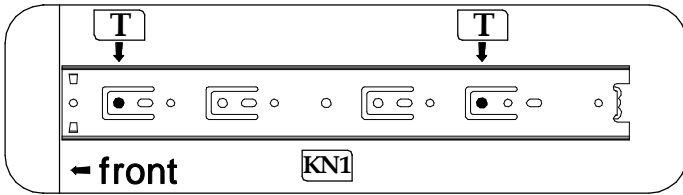
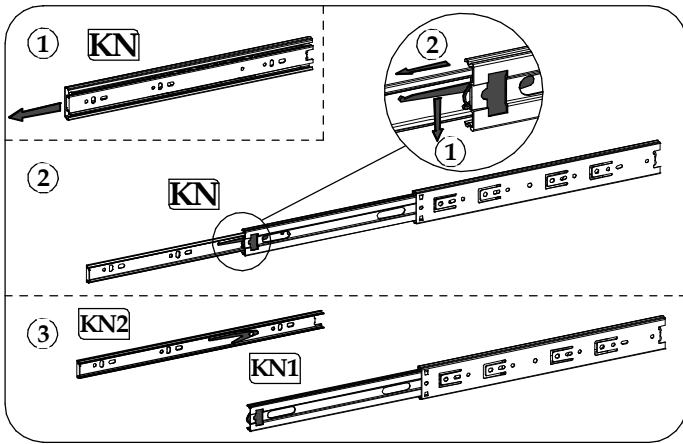


▶ 3

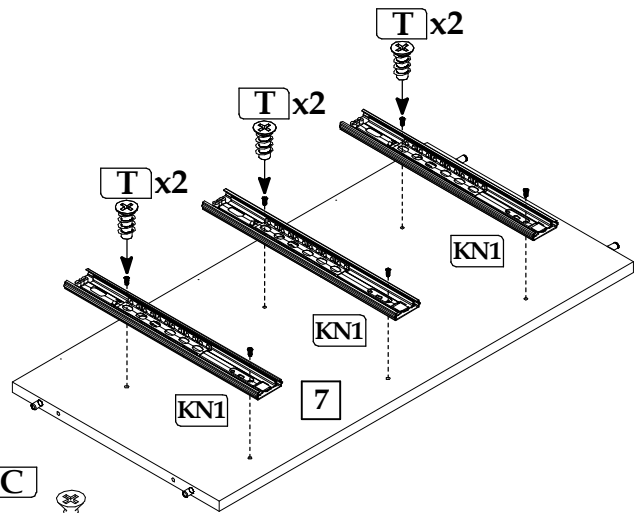
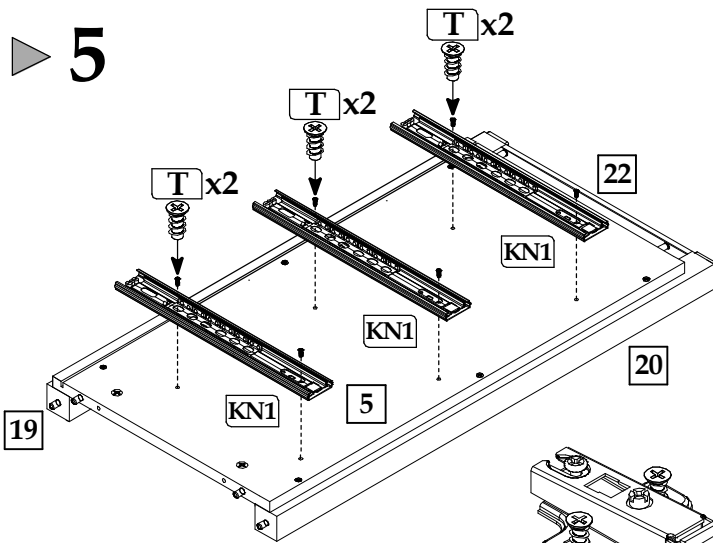


▶ 4

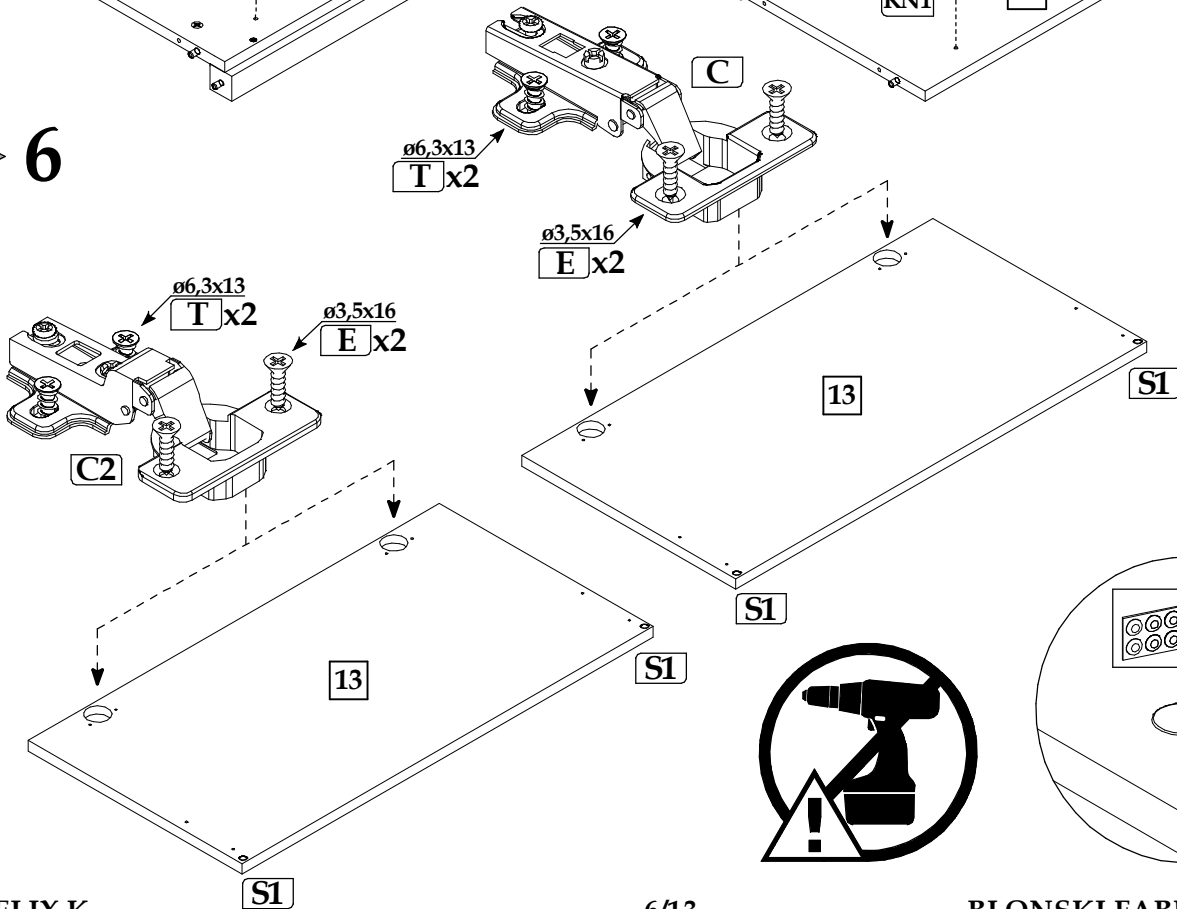




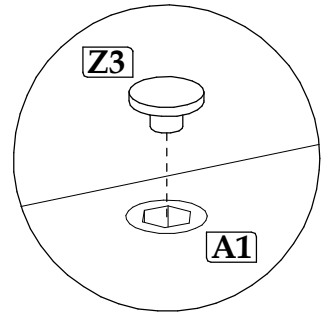
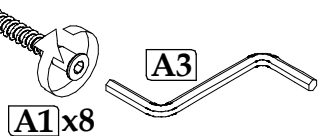
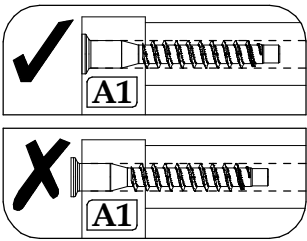
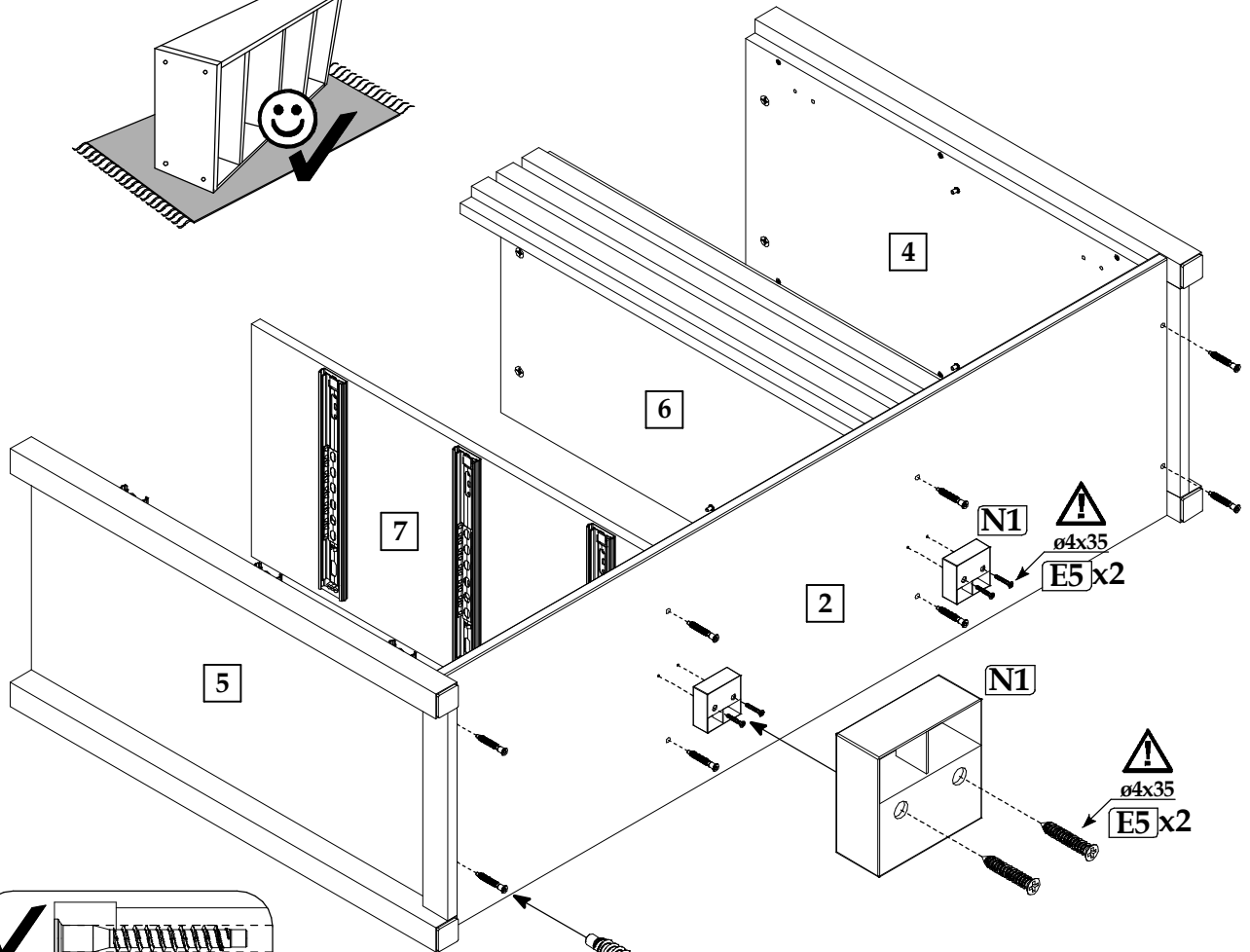
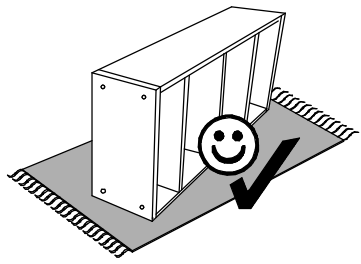
▶ 5



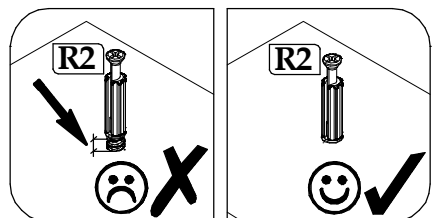
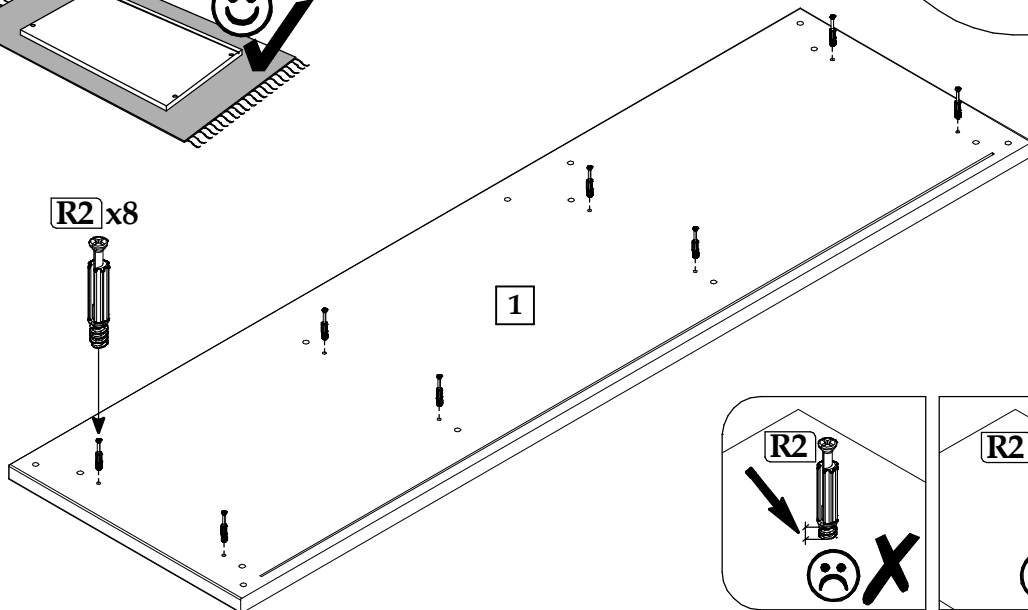
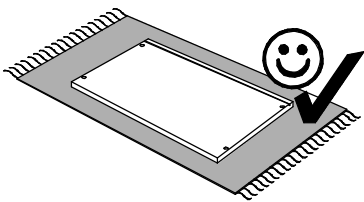
▶ 6



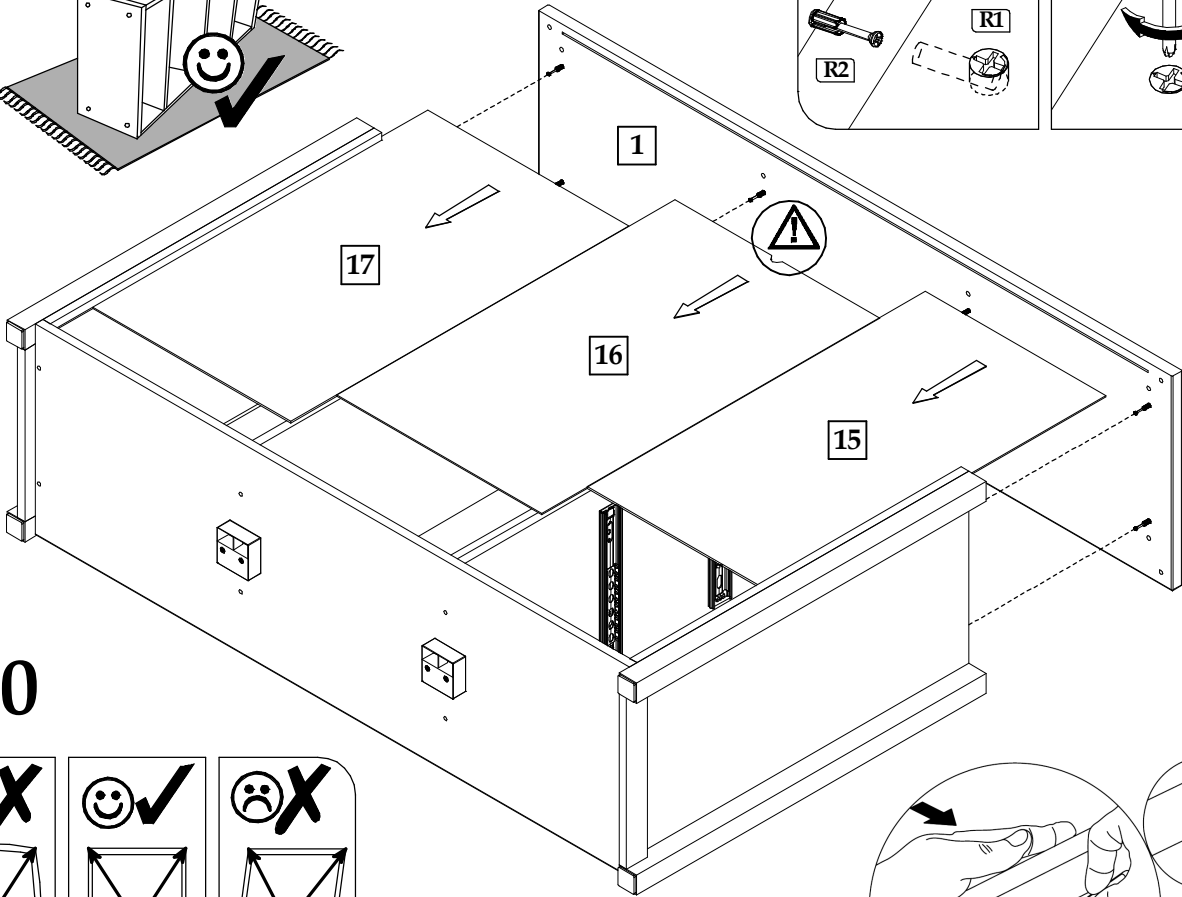
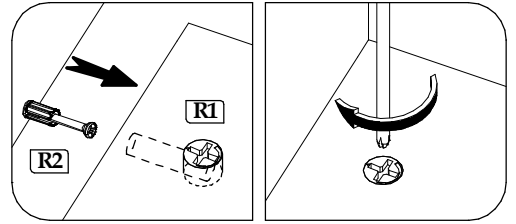
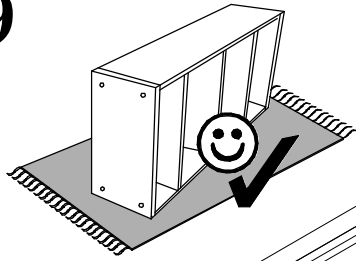
▶ 7



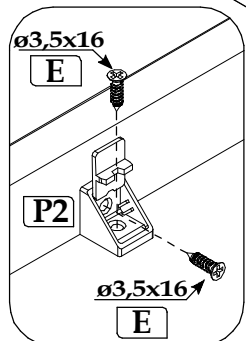
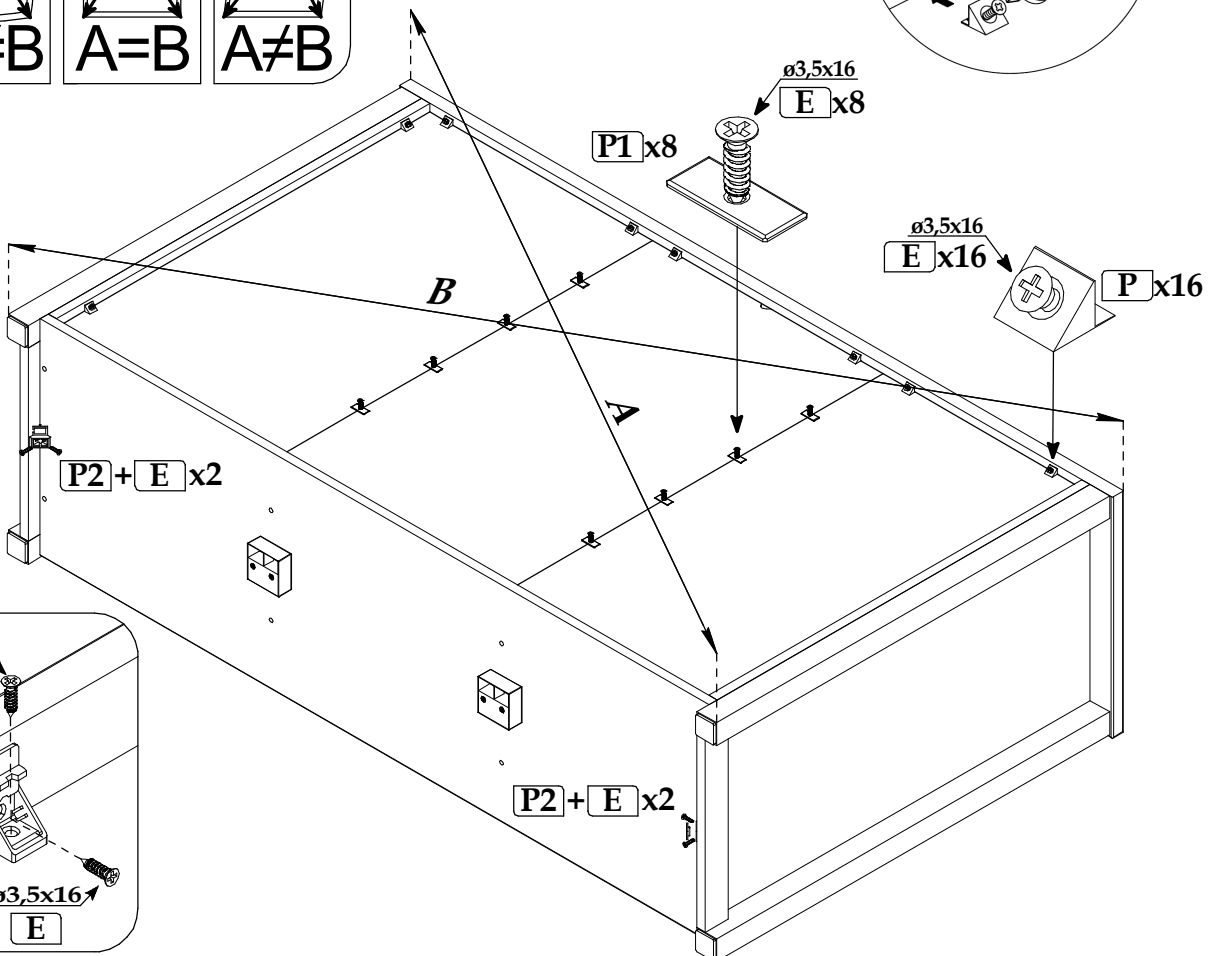
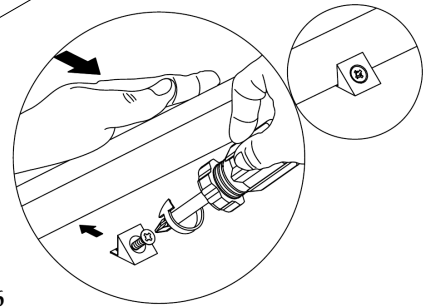
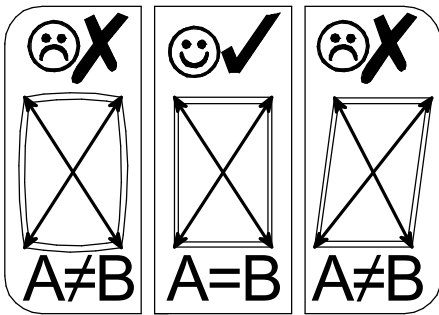
▶ 8



▶ 9

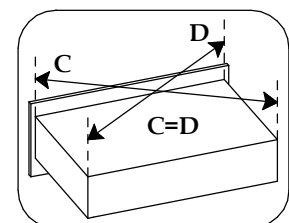
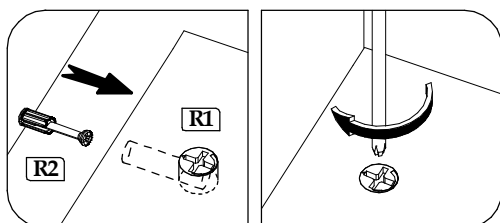
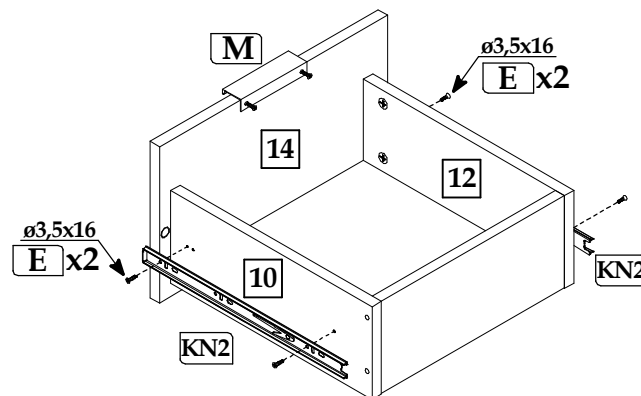
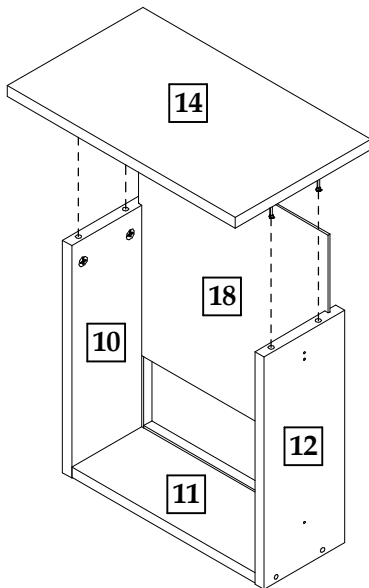
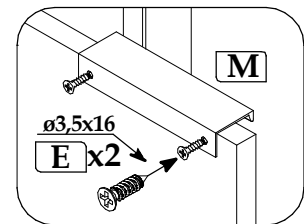
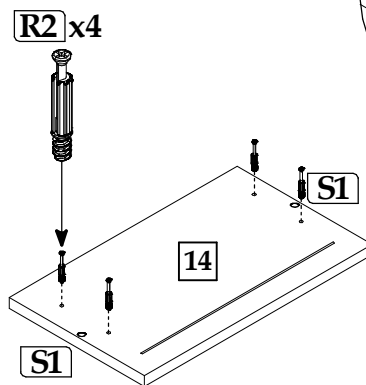
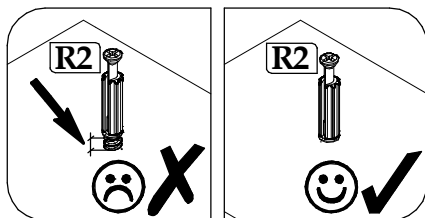
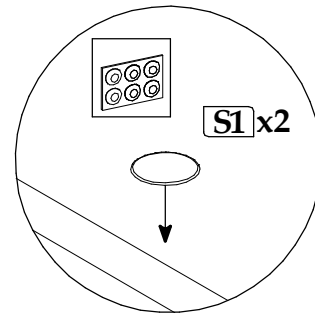
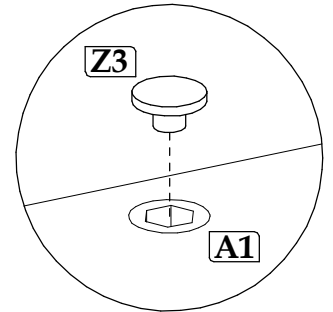
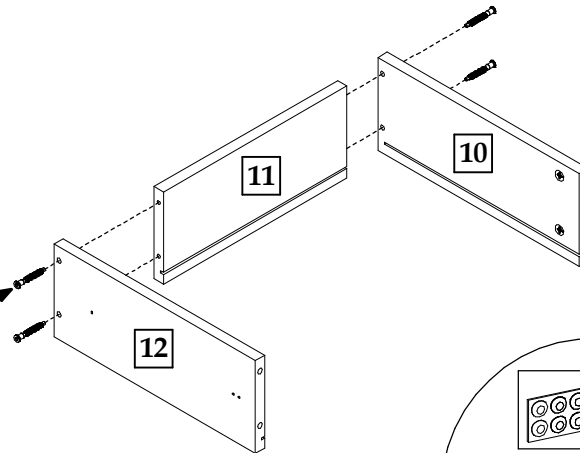
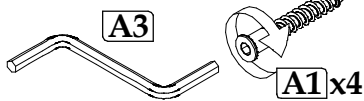
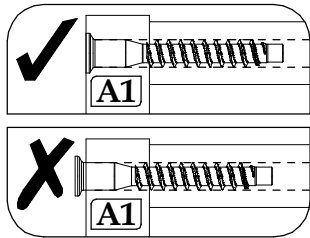
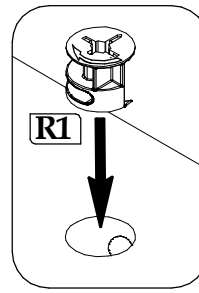
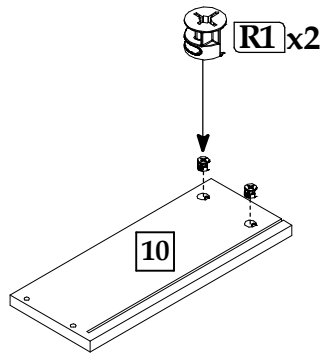
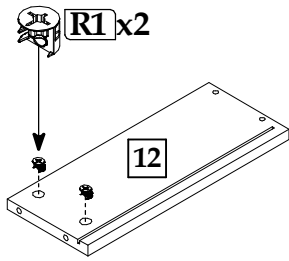


▶ 10

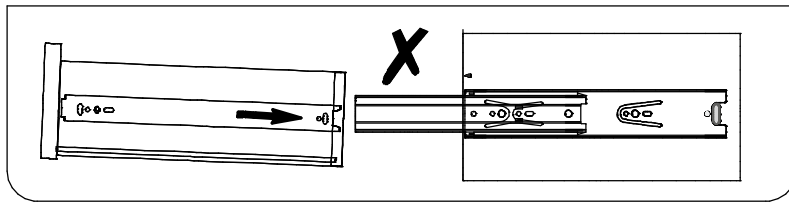
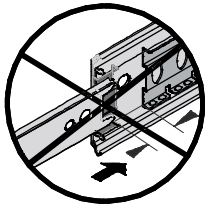
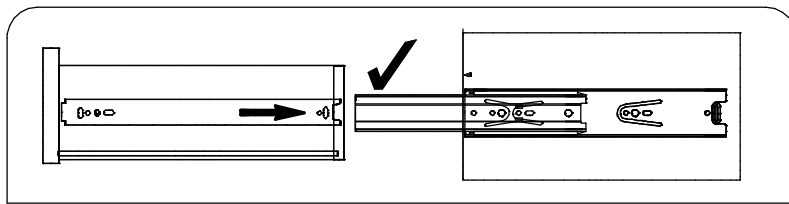
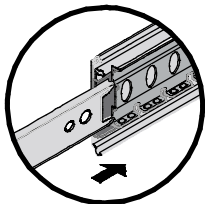
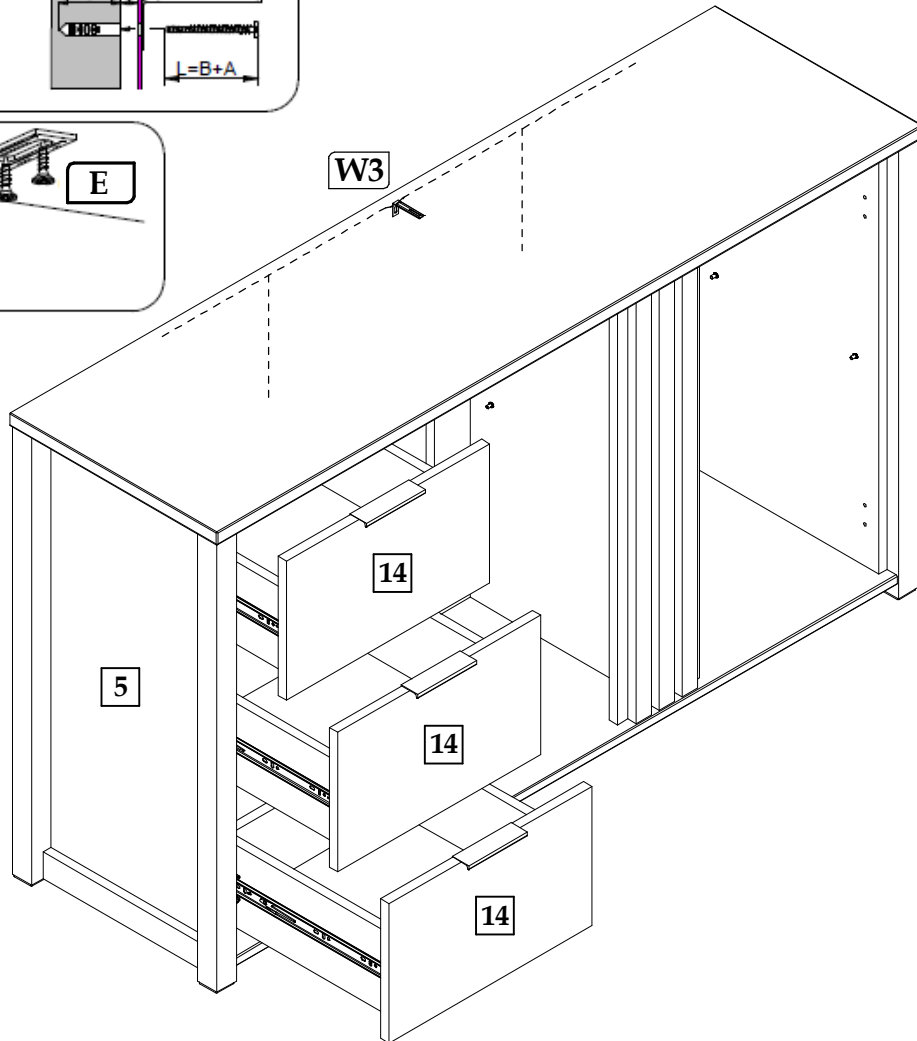
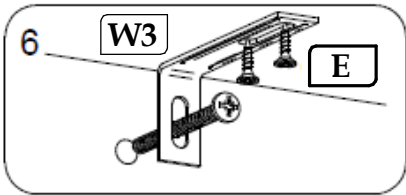
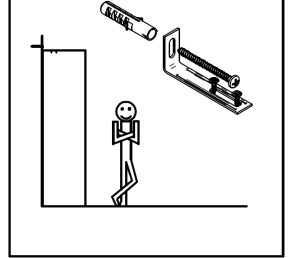
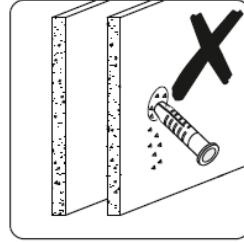
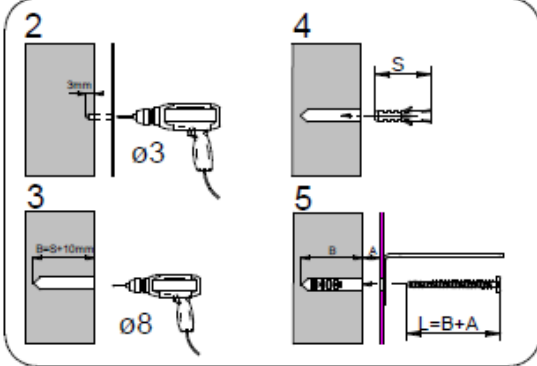
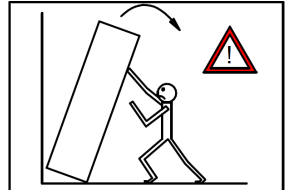
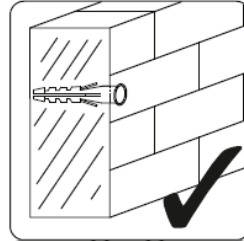
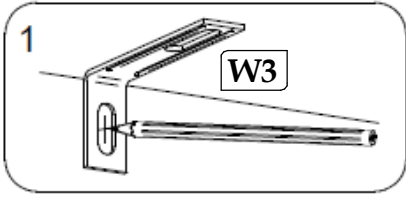


▶ 11

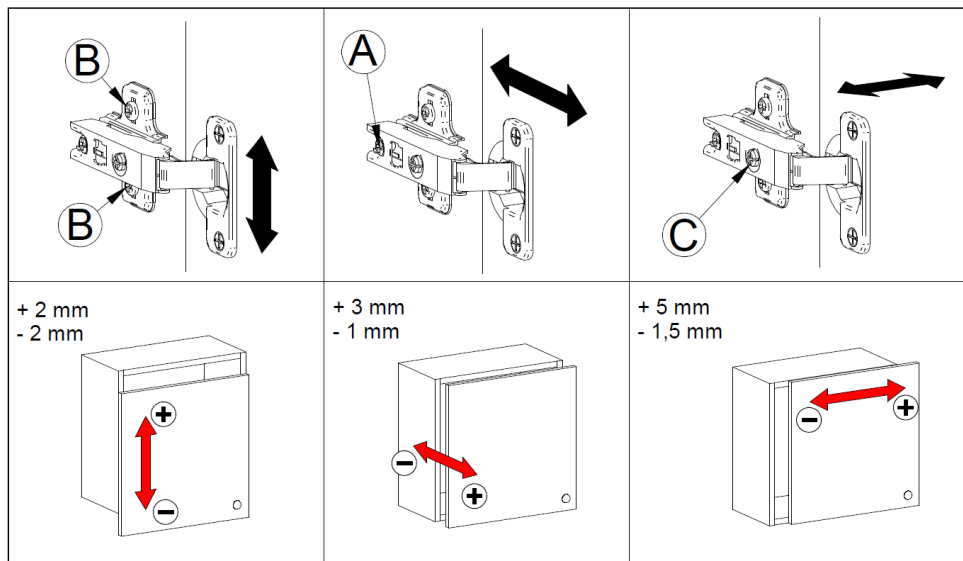
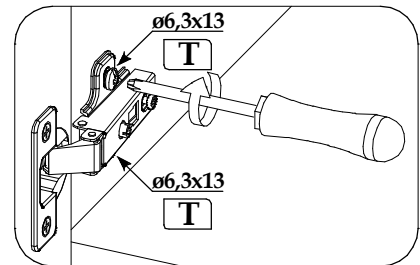
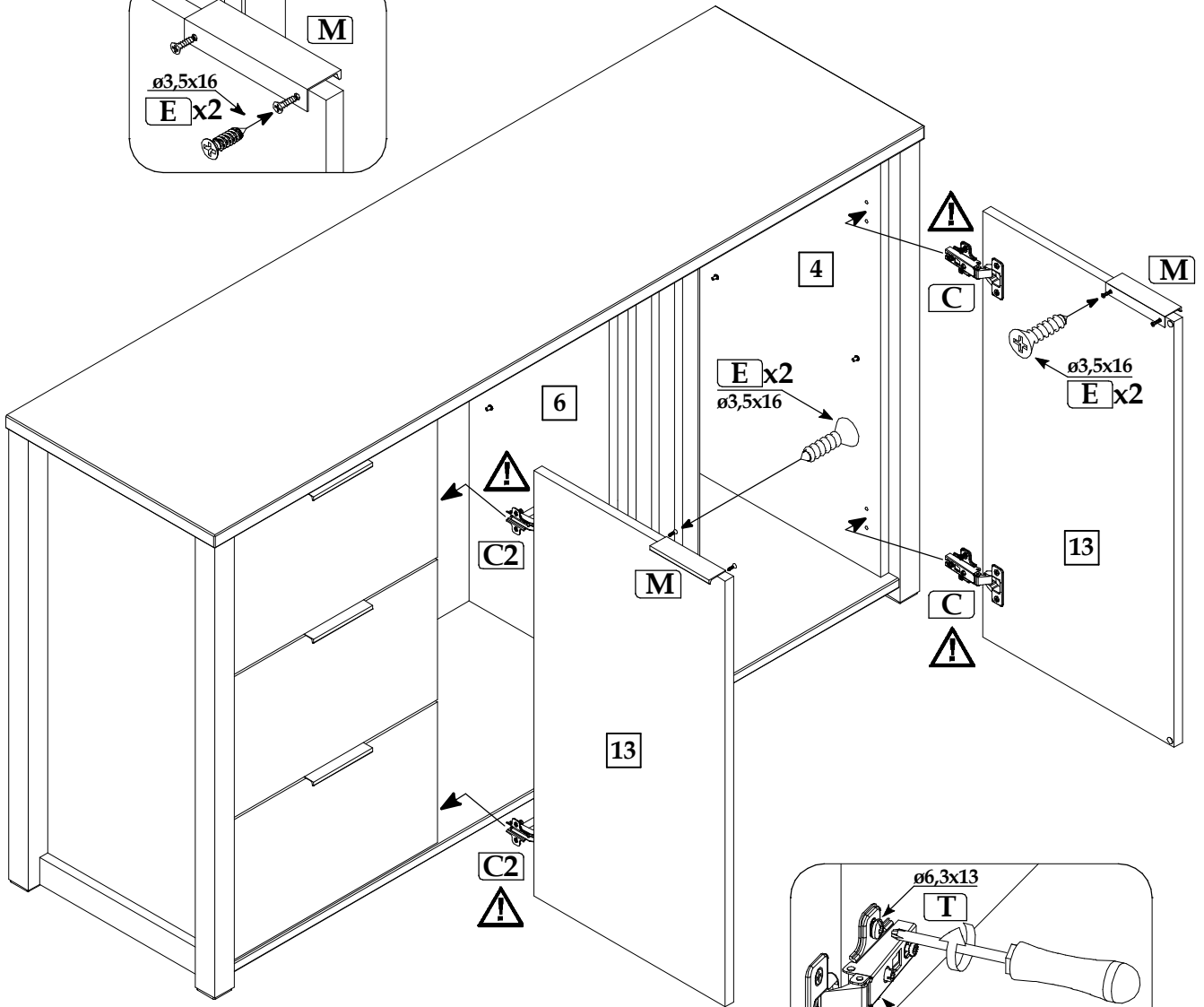
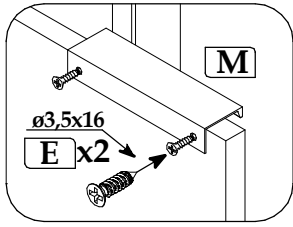
x3



▶ 12



▶ 13



▶ 14

