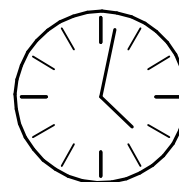
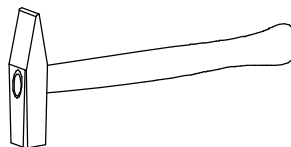
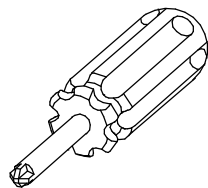
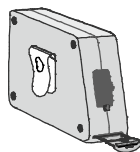
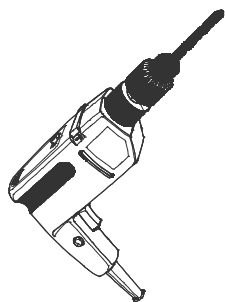
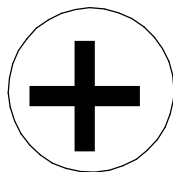
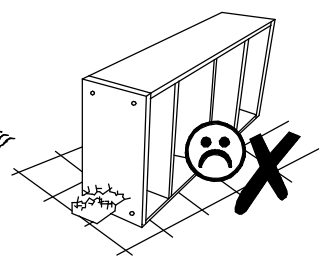
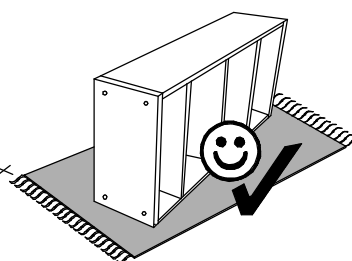
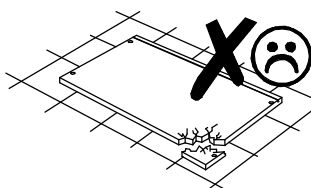
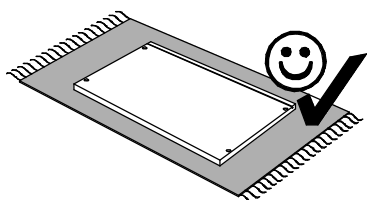
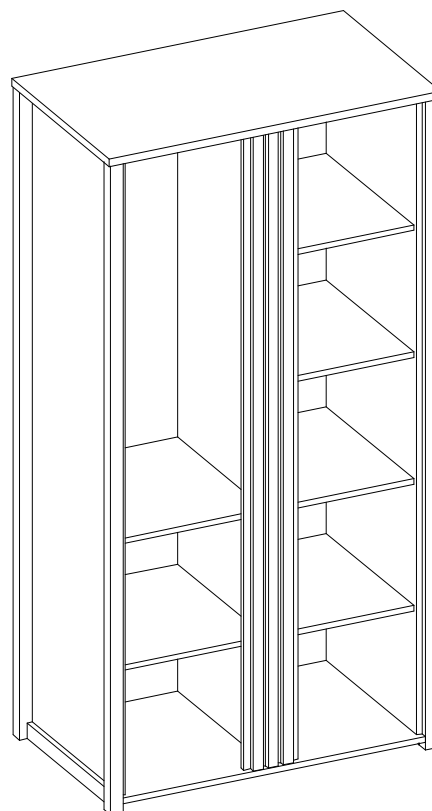
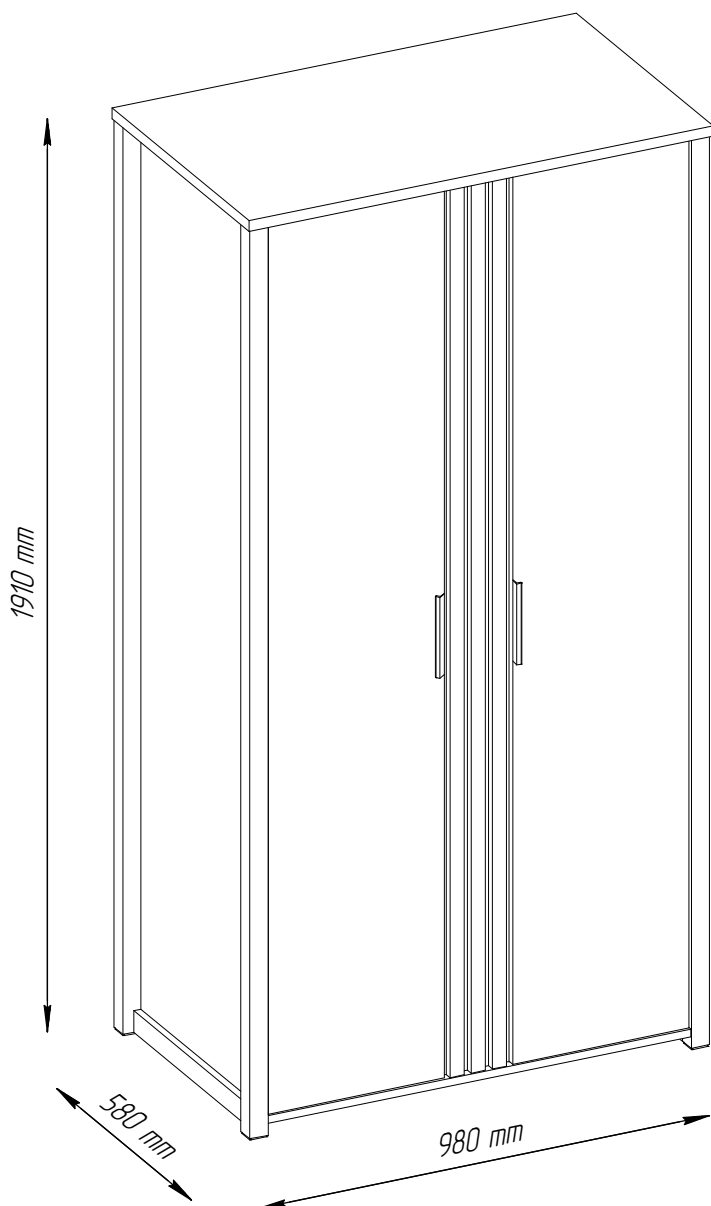
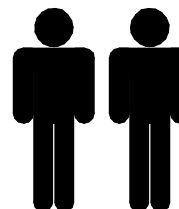
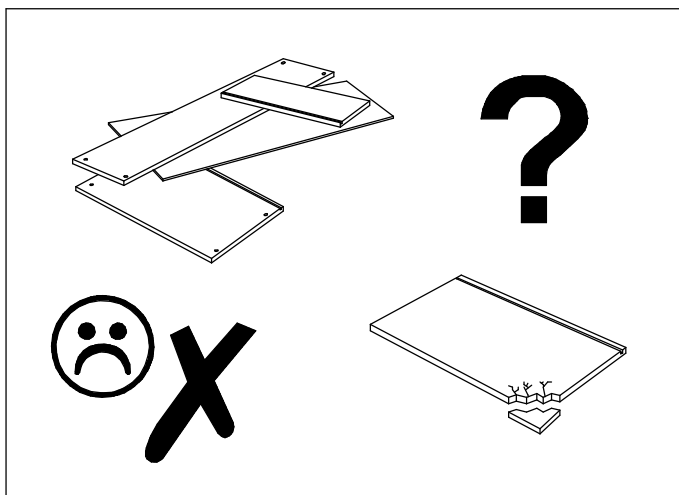
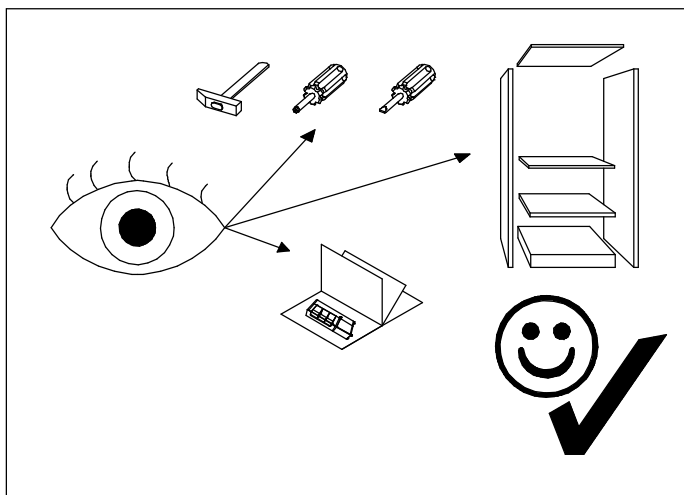
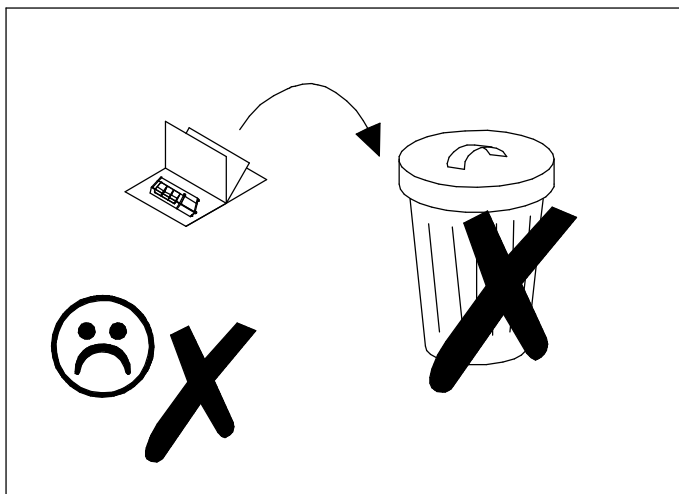
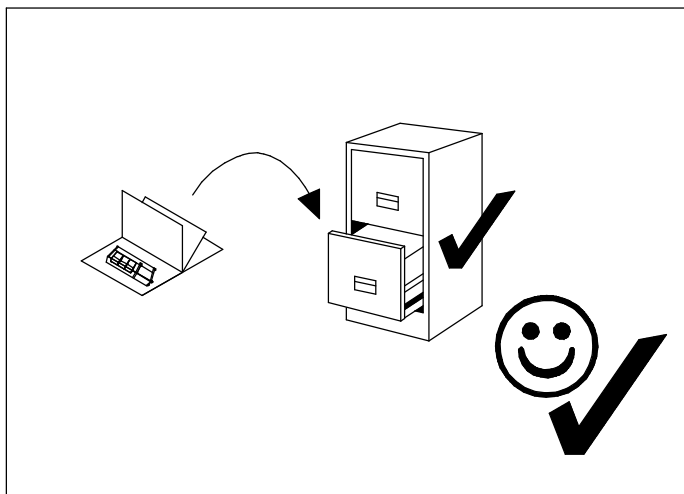
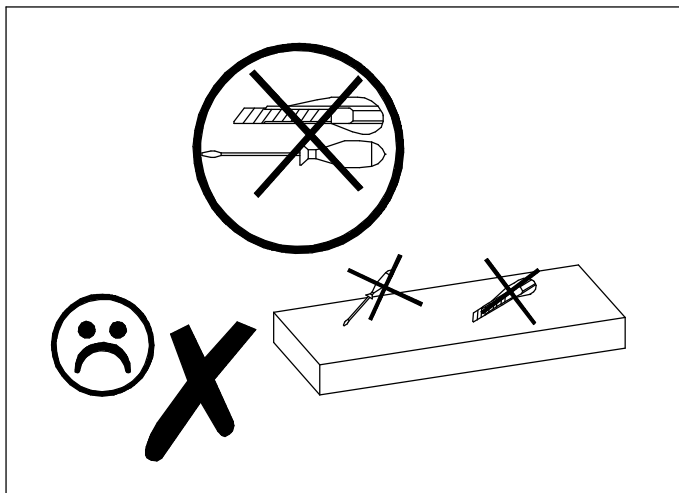
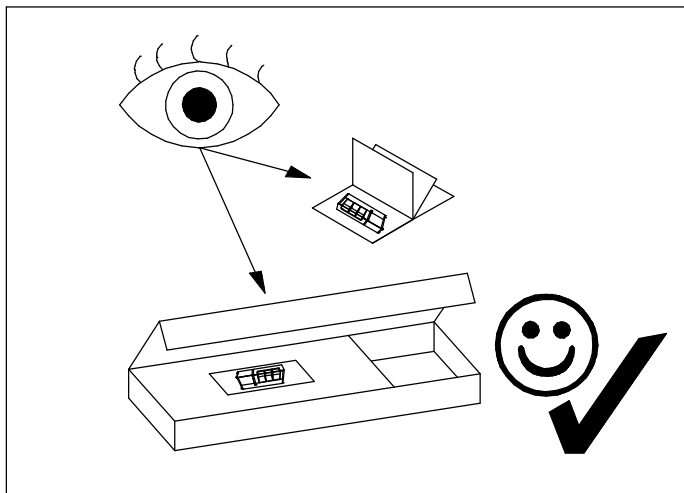


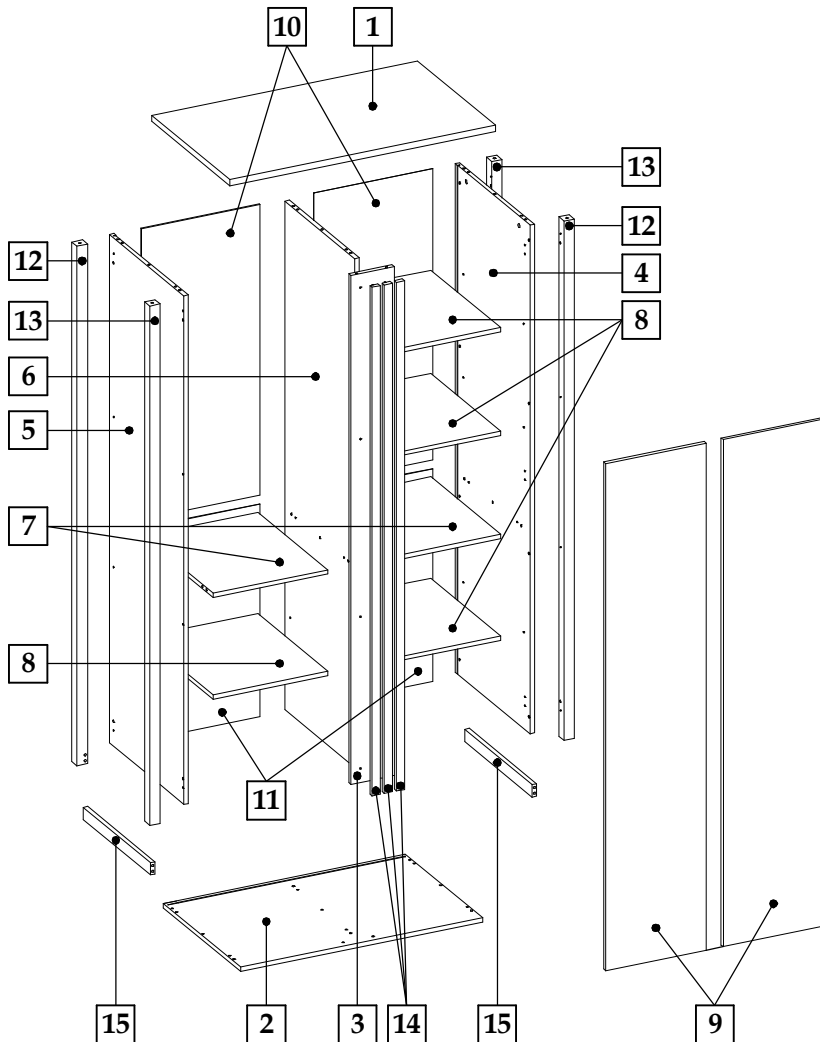
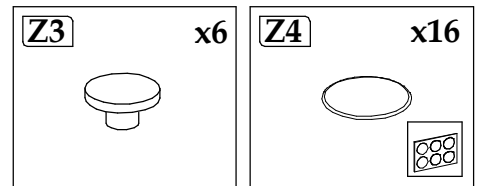
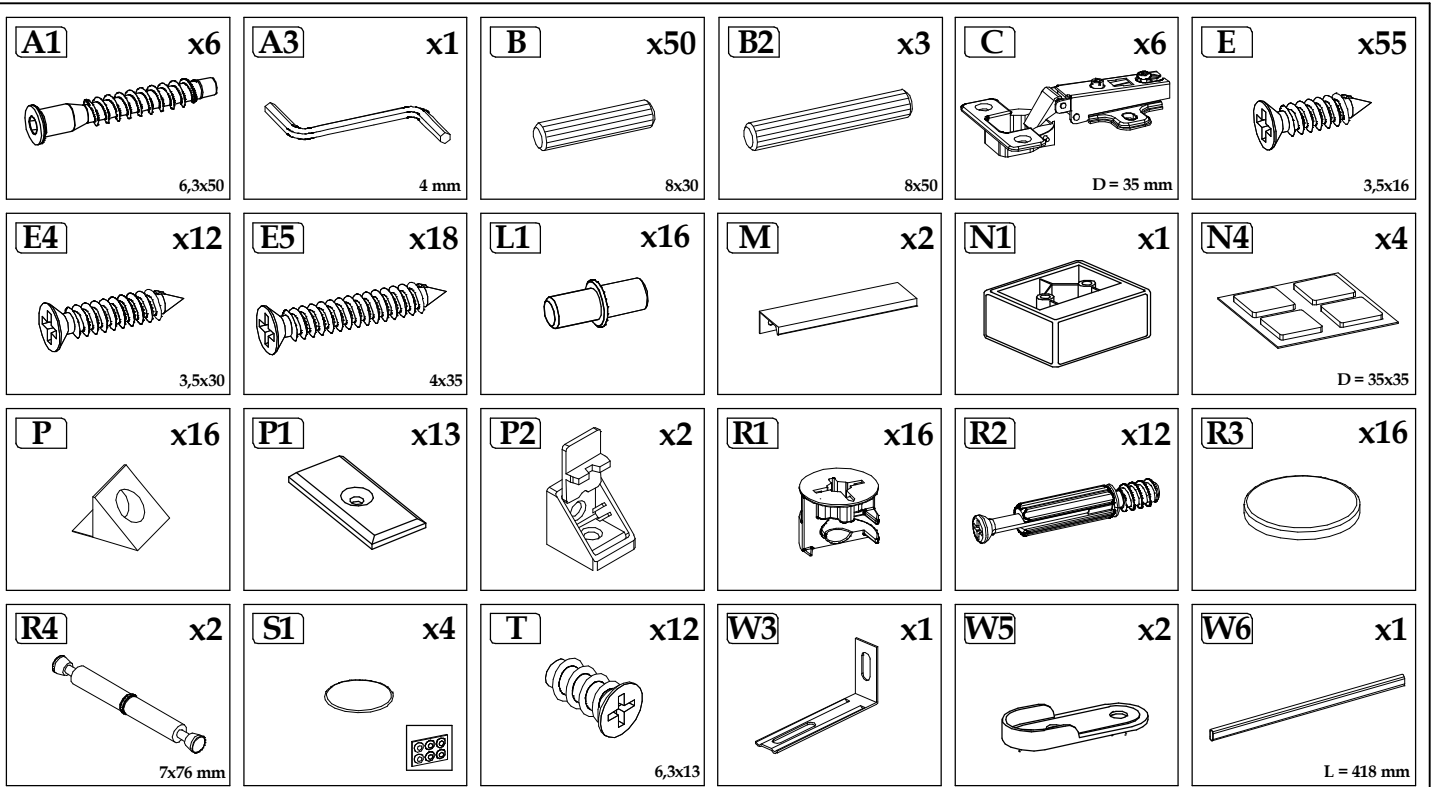
# HELIX Q



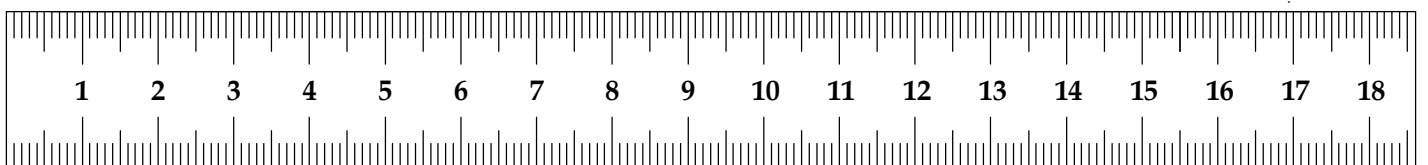
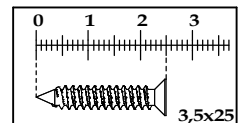
100 min

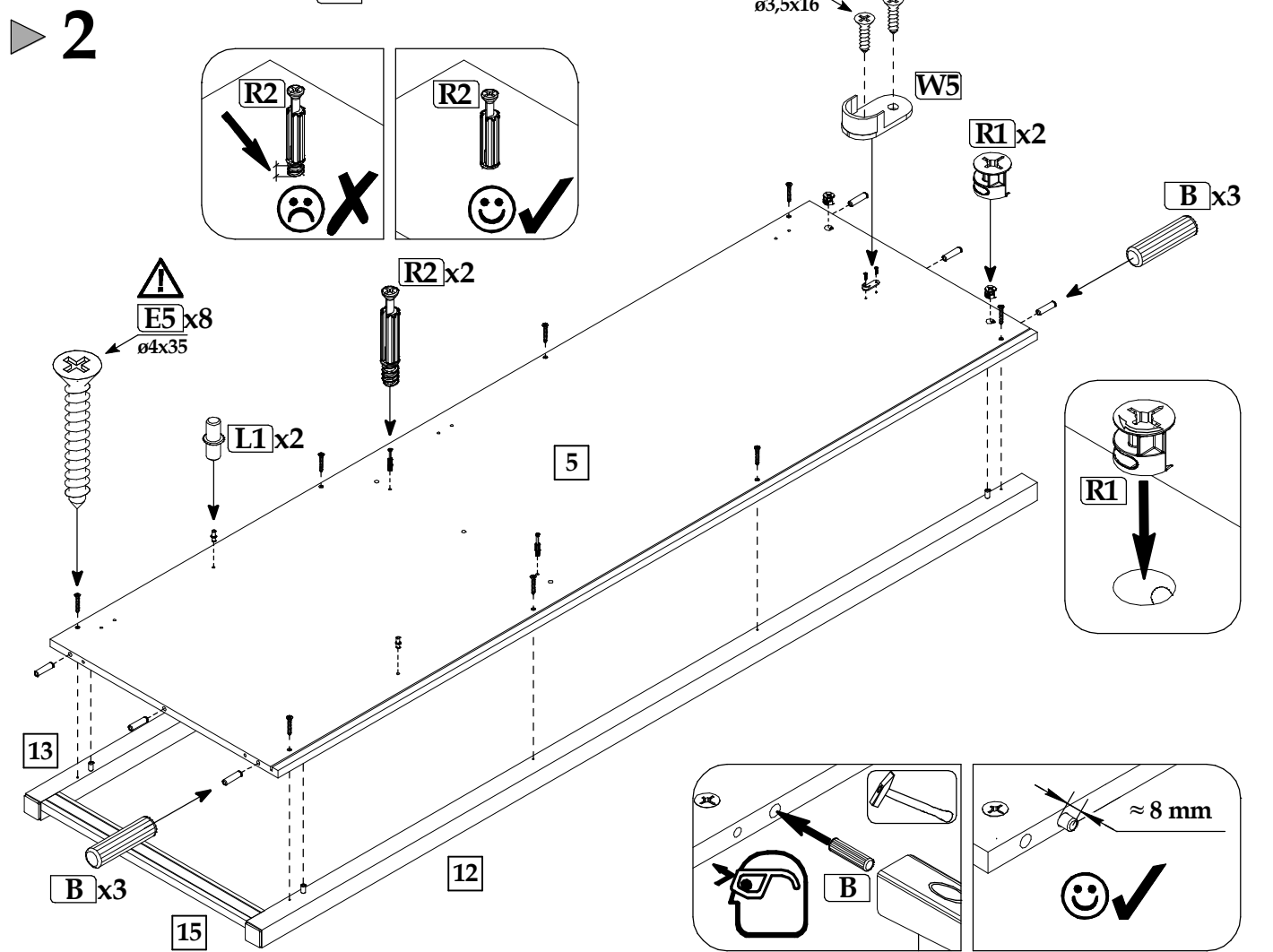
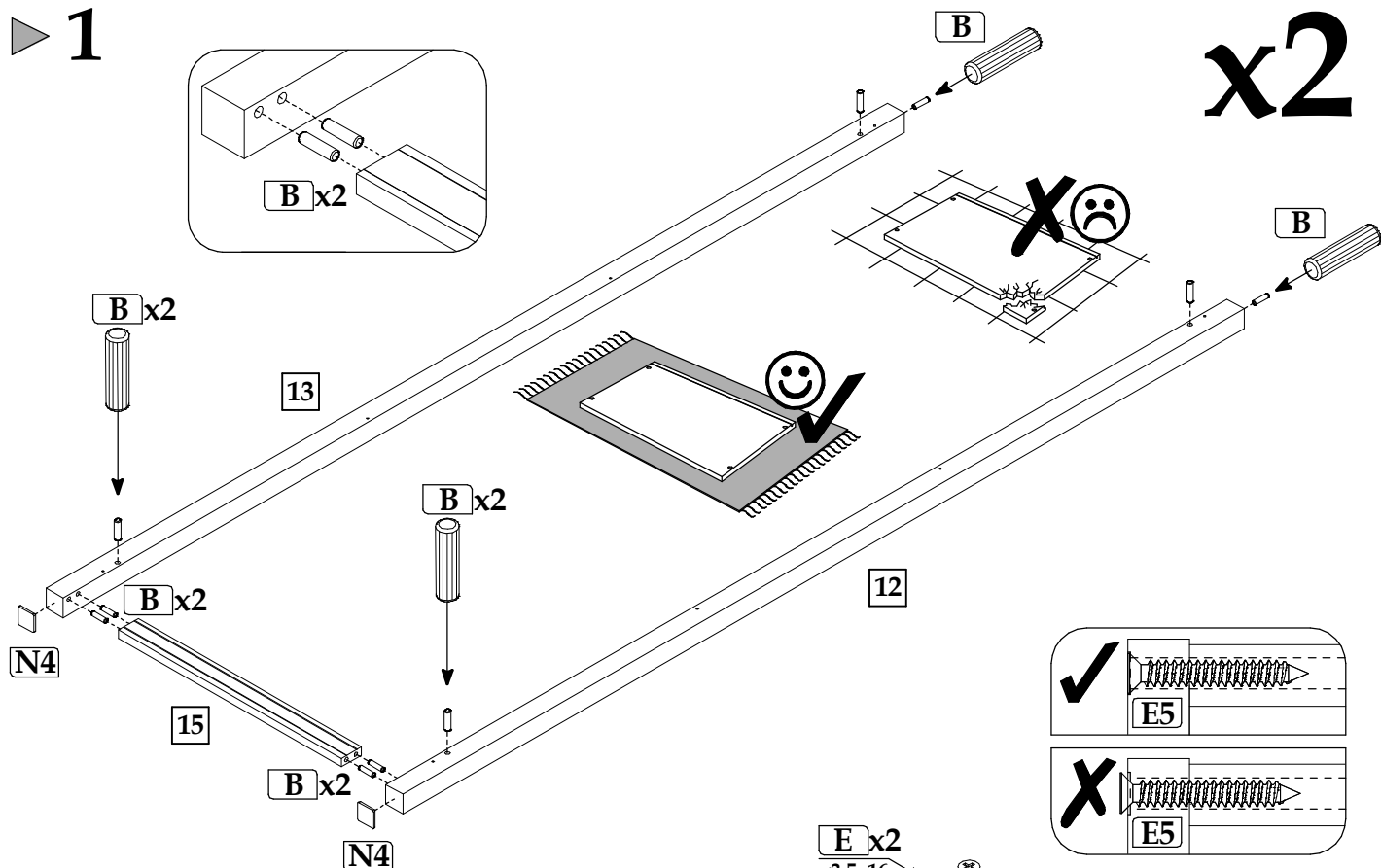




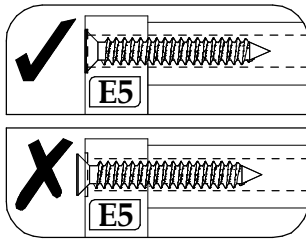


Element symbol	Measurements				Code	Pack
1	980	580	22	1	1001	1/ 3
2	894	573	16	1	1013	1/ 3
3	160	1844	16	1	1009	2/ 3
4	1844	553	16	1	1011	2/ 3
5	1844	553	16	1	1012	2/ 3
6	1844	519	16	1	1018	2/ 3
7	423	518	16	2	1019/ 1024	1/ 3
8	423	518	16	4	N/ A	1/ 3
9	1838	372	16	2	1005/ 1010	2/ 3
10	1122	438	3	2	N/ A	2/ 3
11	735	438	3	2	N/ A	2/ 3
12	1883	38	38	2	P38_1883x38_T1	3/ 3
13	1883	38	38	2	P38_1883x38_T2	3/ 3
14	1844	30	16	3	P16_1844x30x16	2/ 3
15	499	45	16	2	P16_499x45x16	1/ 3

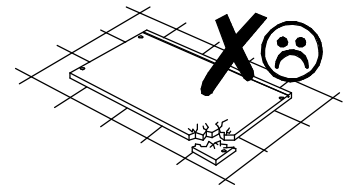




▶ 3



R1 x2



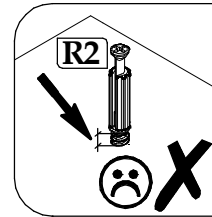
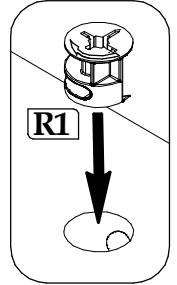
⚠  
E5 x8  
ø4x35

R2 x2

B x3

L1 x8

4



13  
B x3

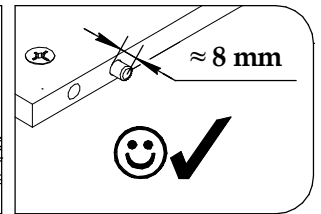
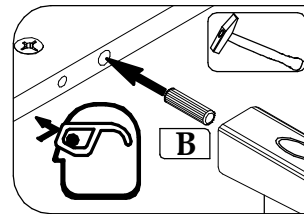
12

15

▶ 4

B x2

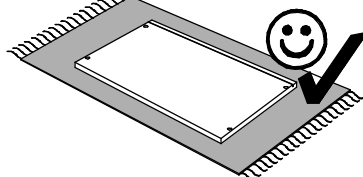
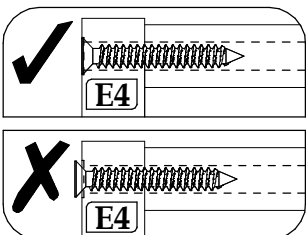
R2 x2



⚠  
E4 x12  
ø3,5x30

3

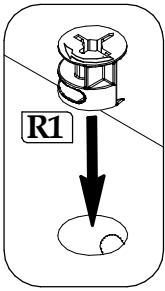
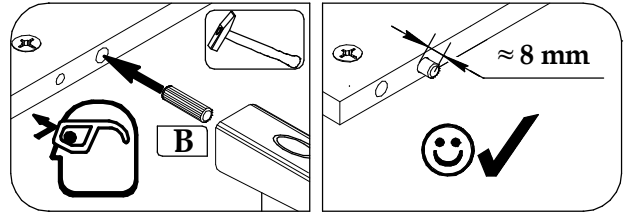
13 x3



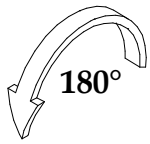
B x2

▶ 5

**E** x2  
ø3,5x16  
**W5**



**R1** x2



180°

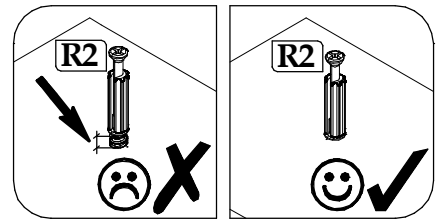
6

**L1** x2

**B** x6

**L1** x6

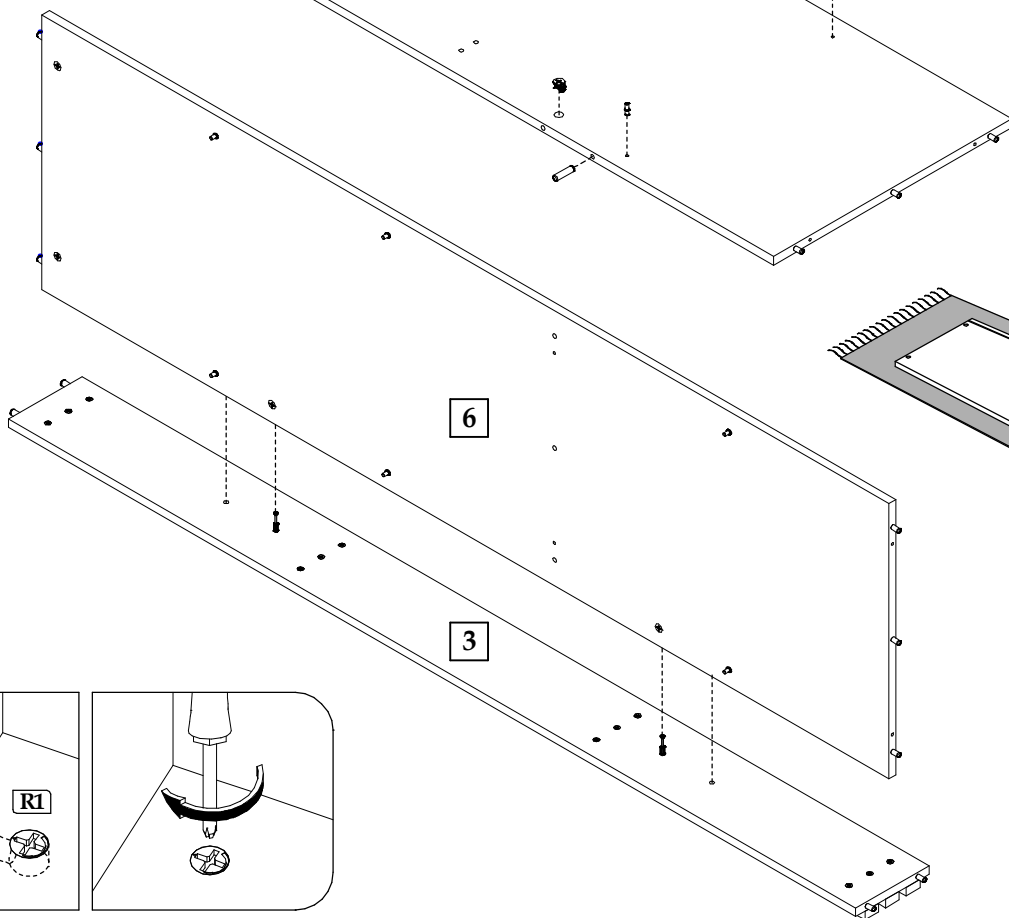
**R1** x2



**B** x2

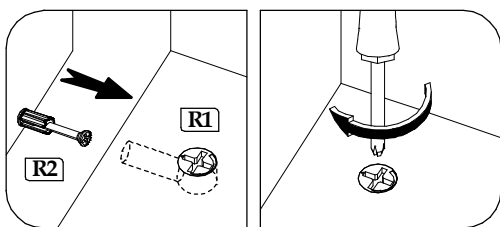
6

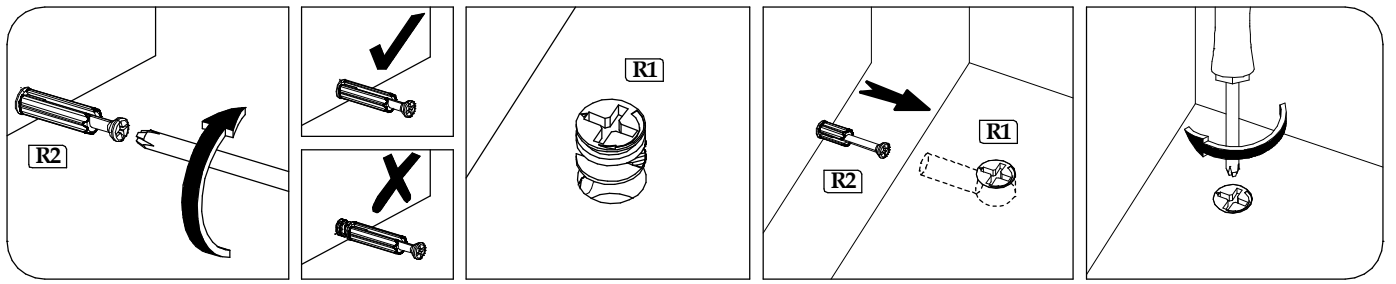
▶ 6



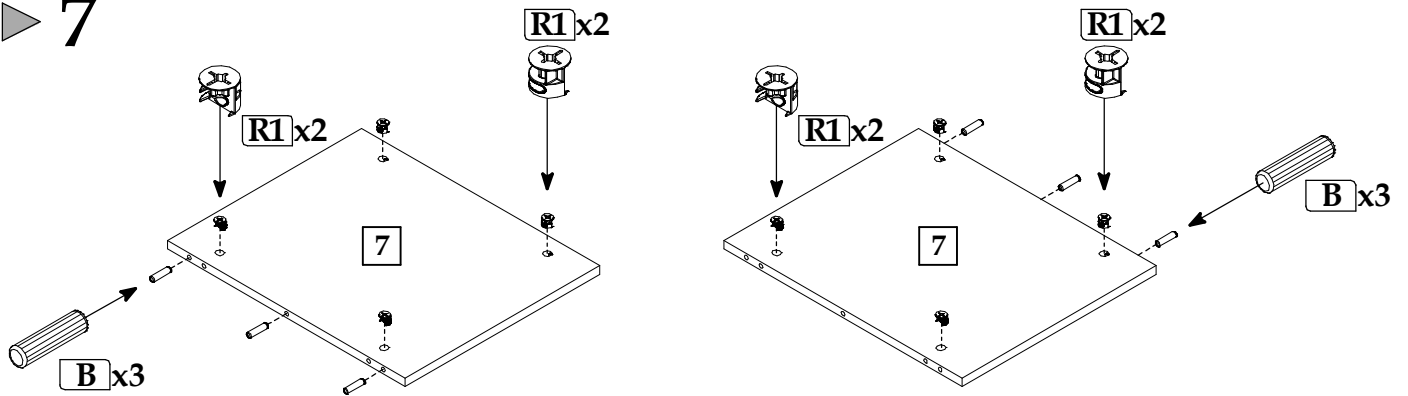
6

3

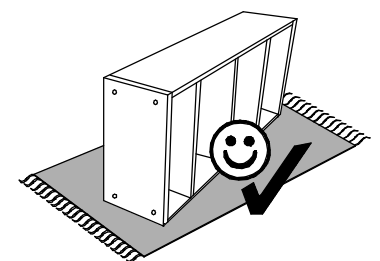
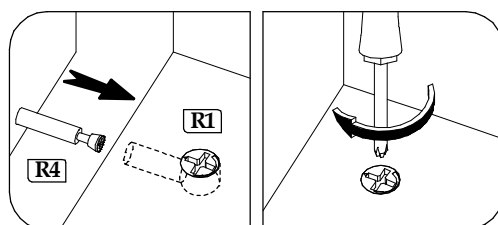
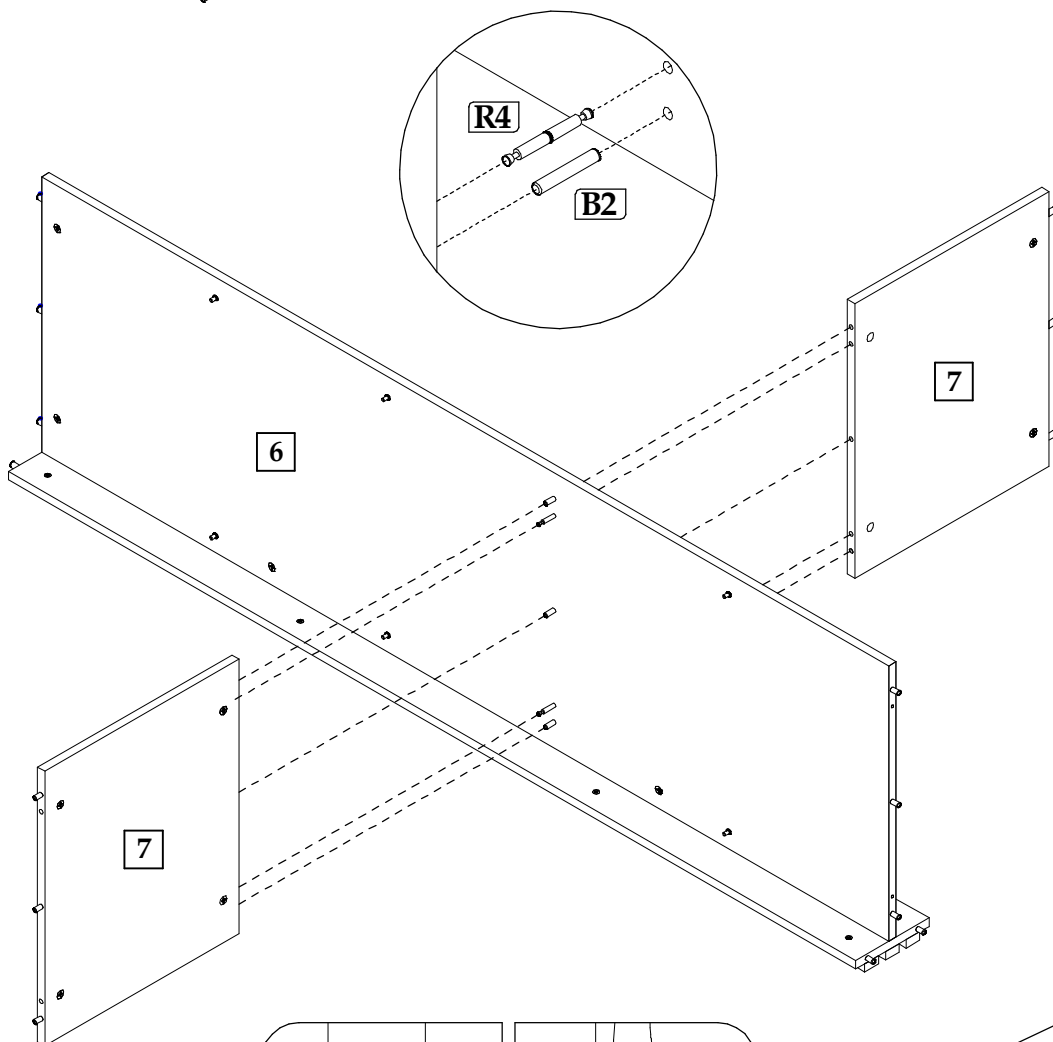


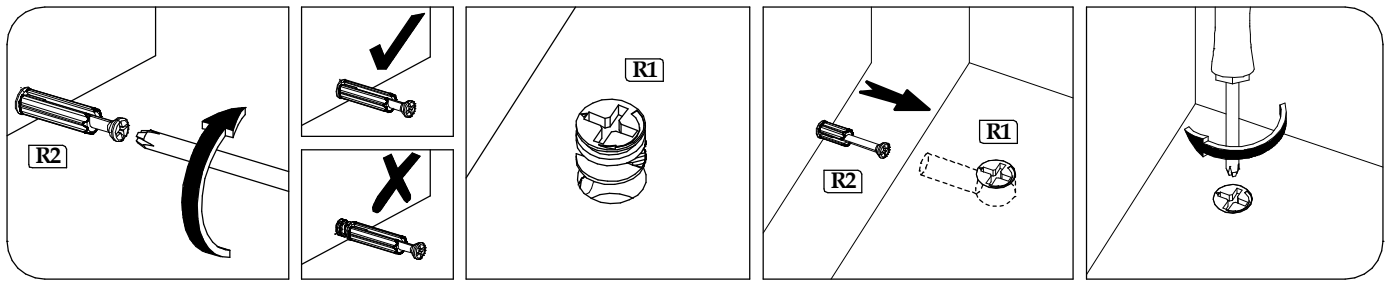


▶ 7

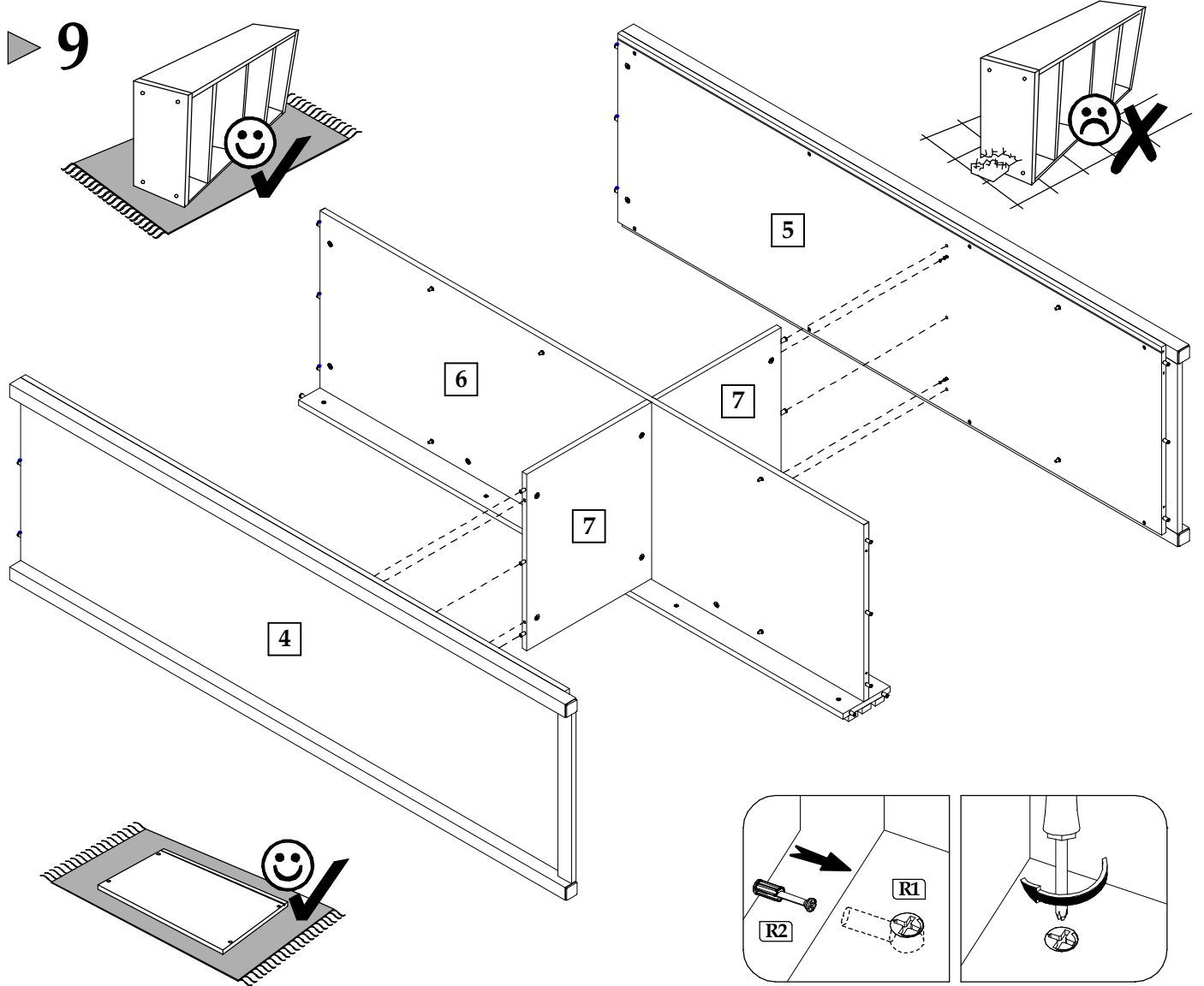


▶ 8

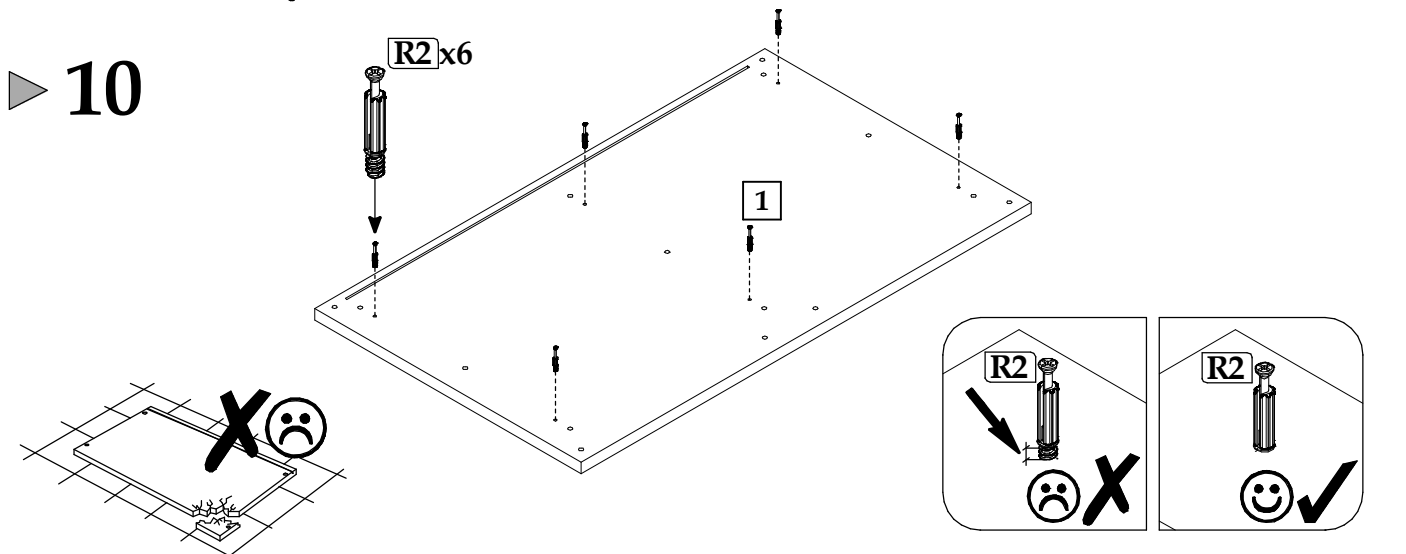




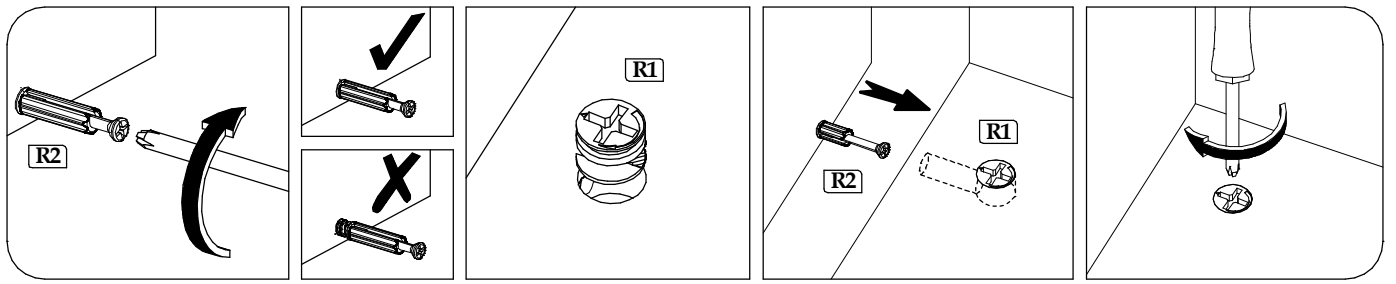
▶ 9



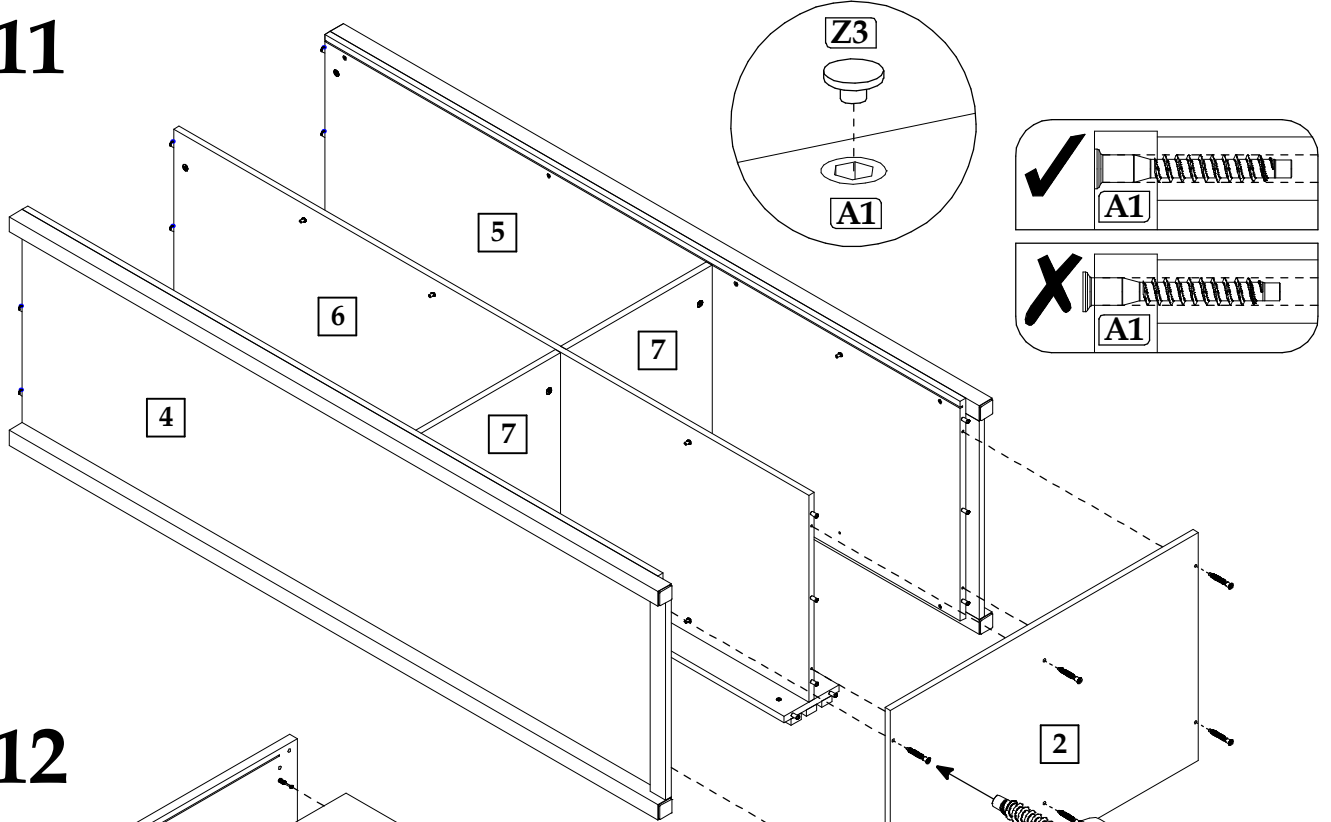
▶ 10



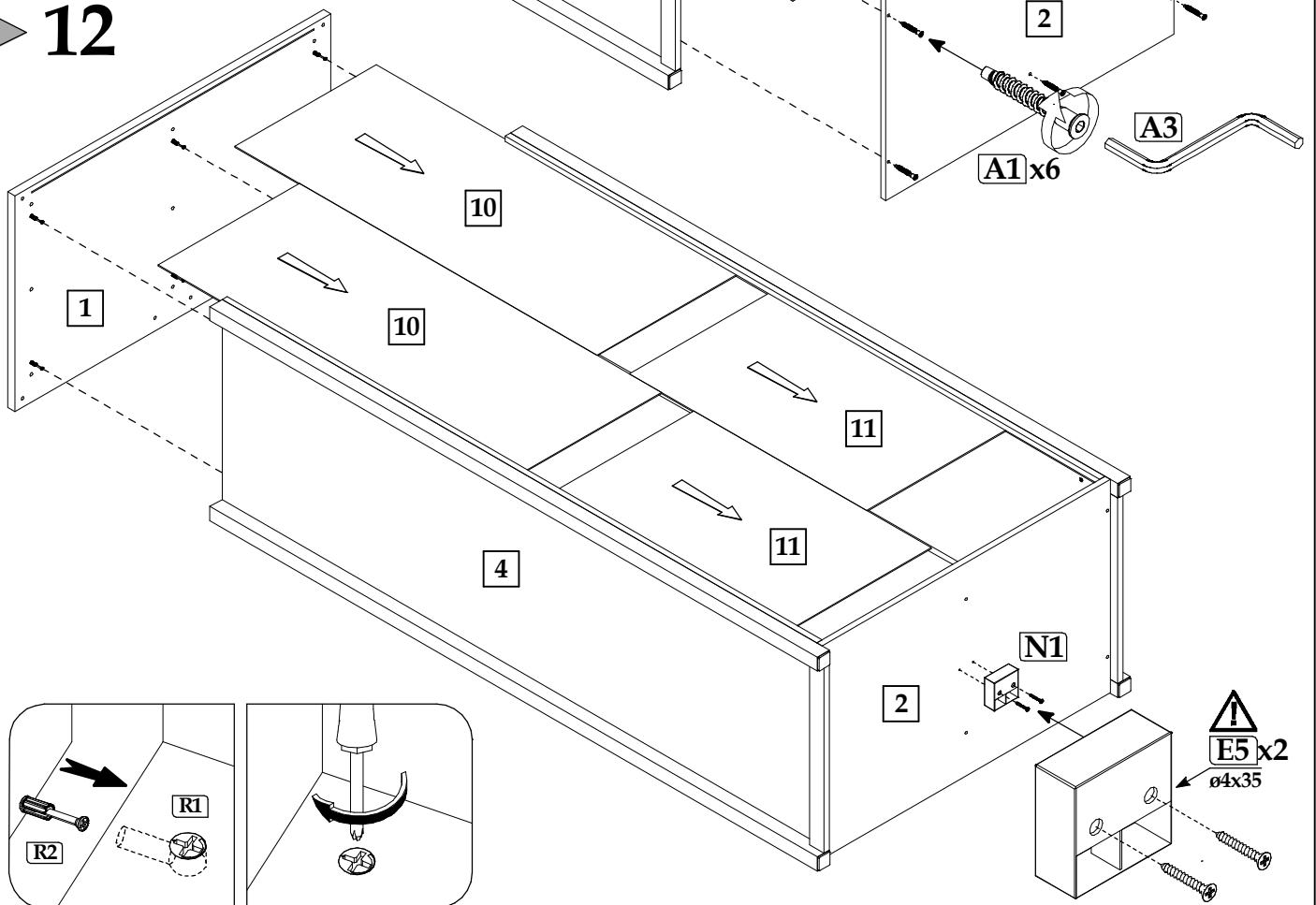




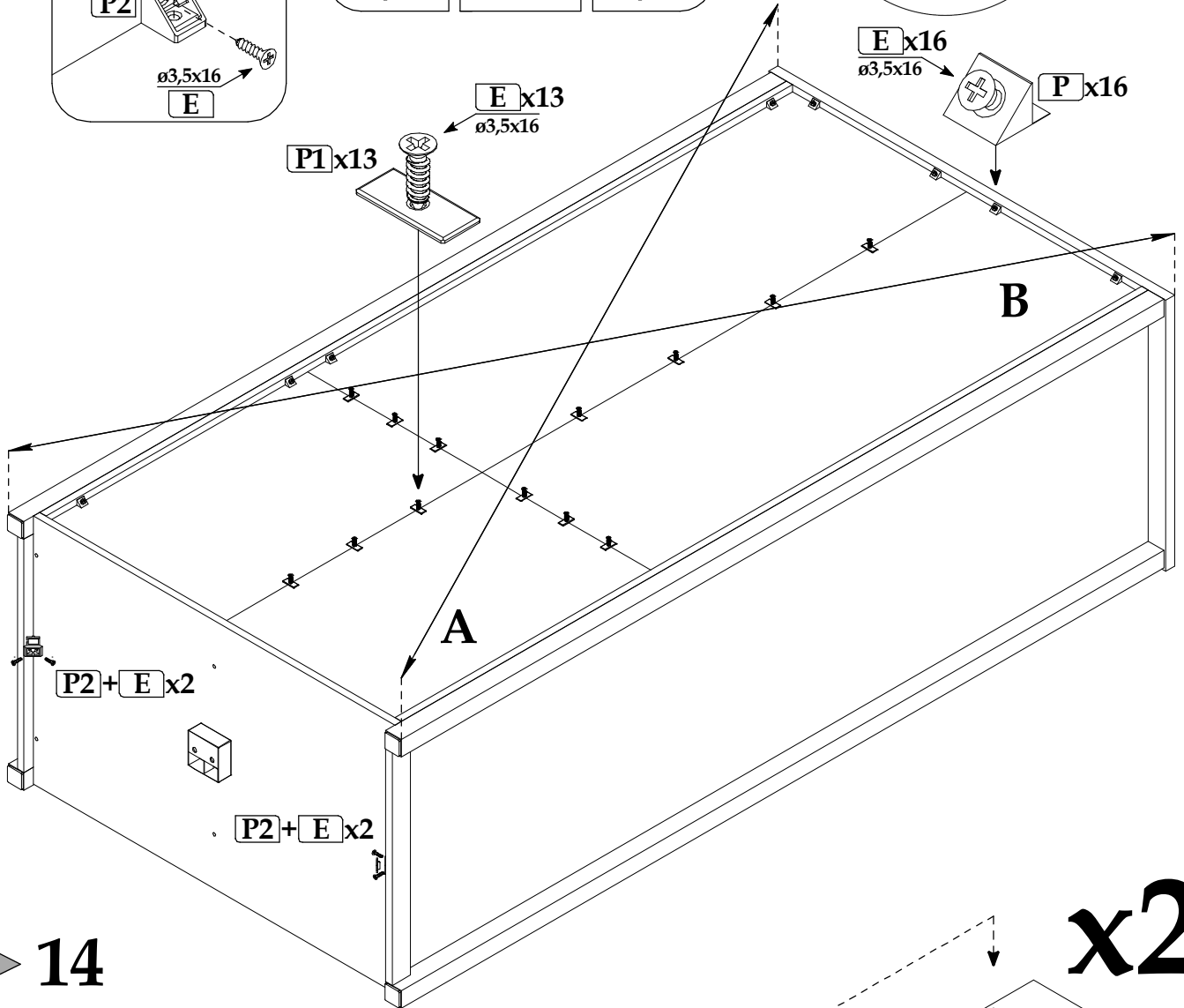
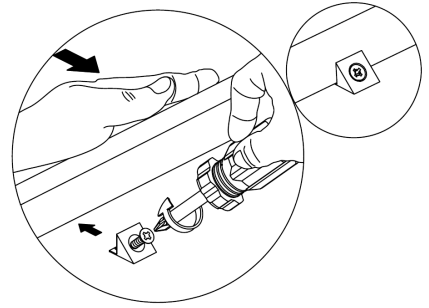
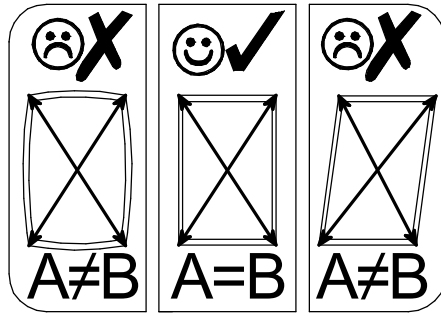
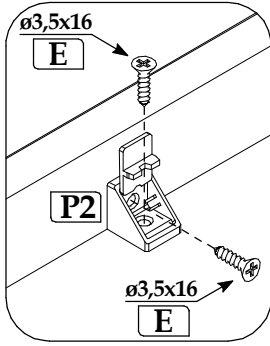
▶ 11



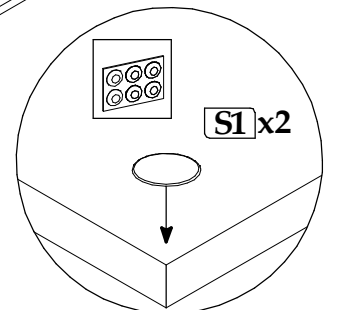
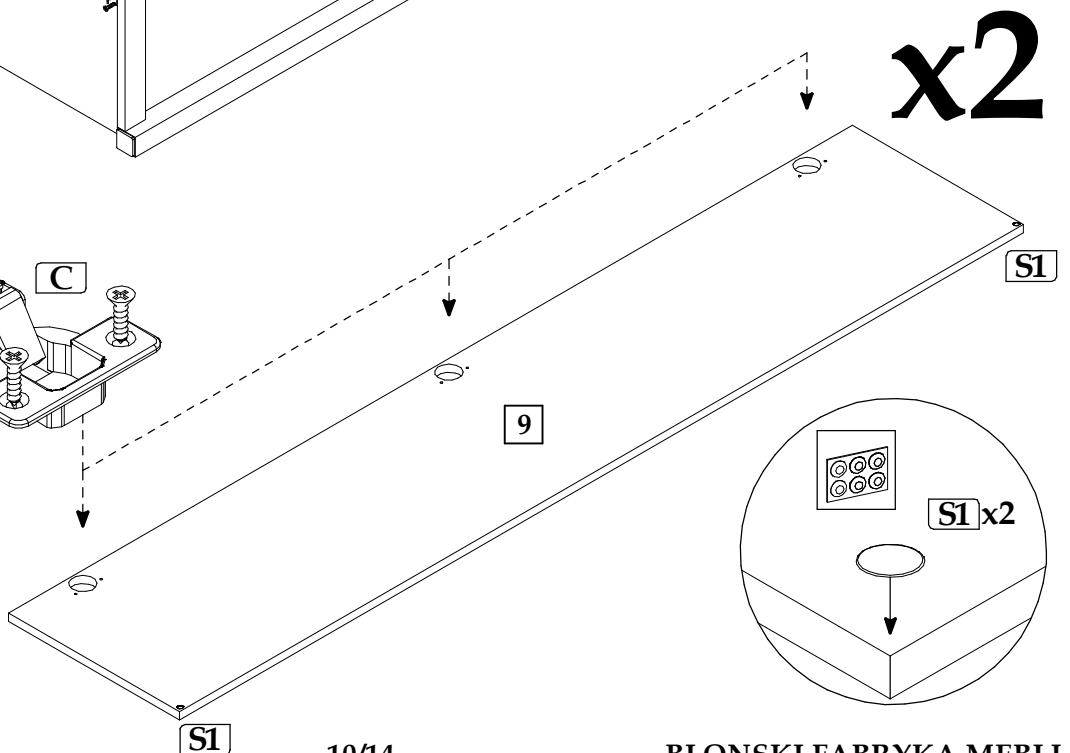
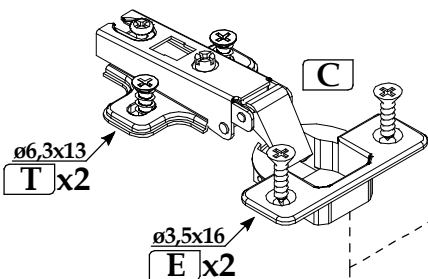
▶ 12

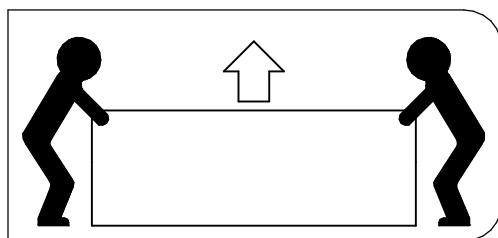
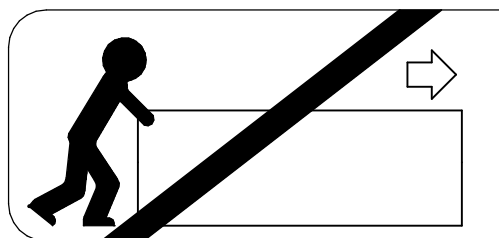
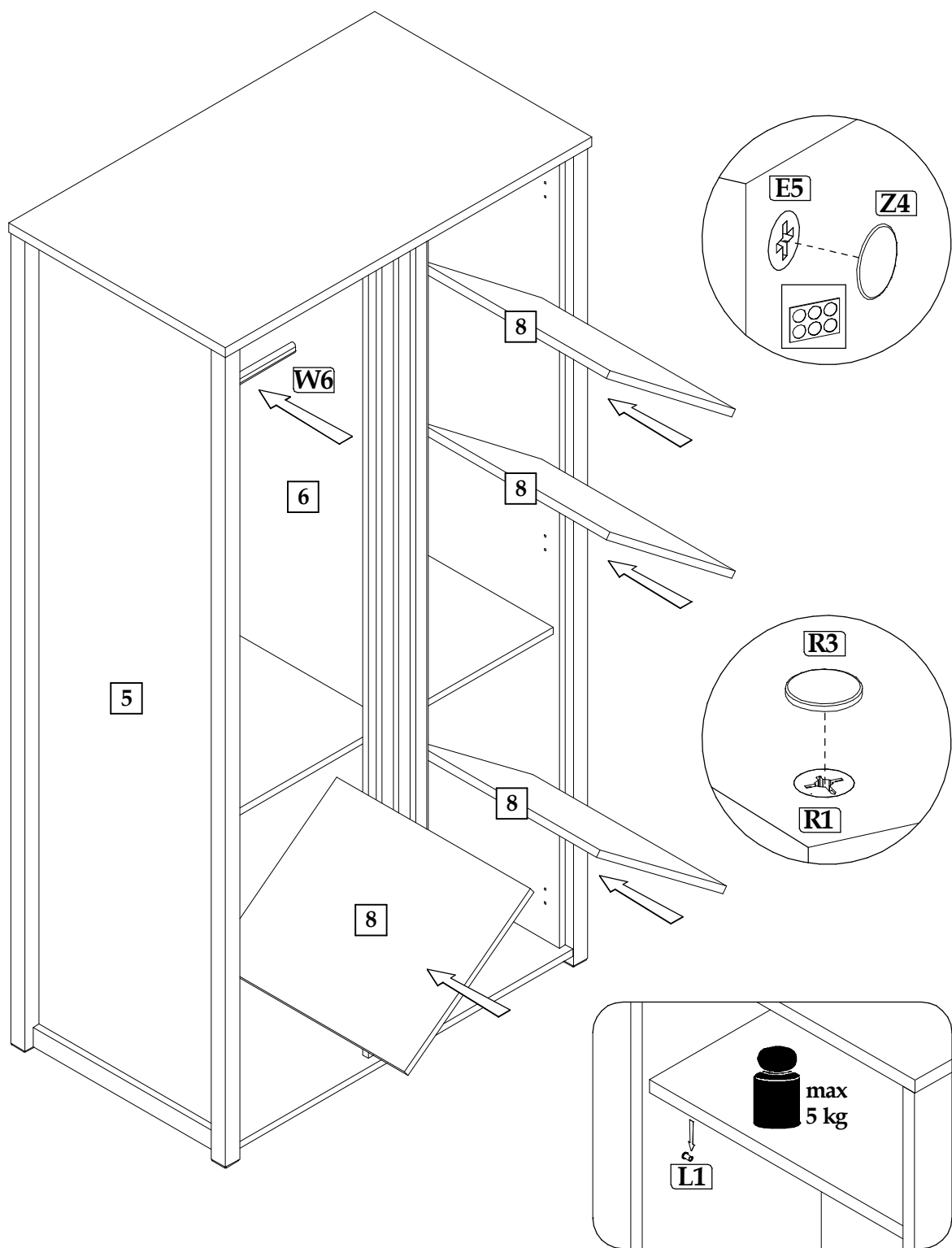


# ▶ 13

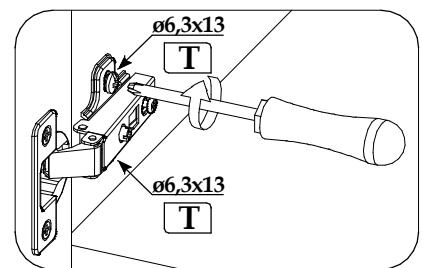
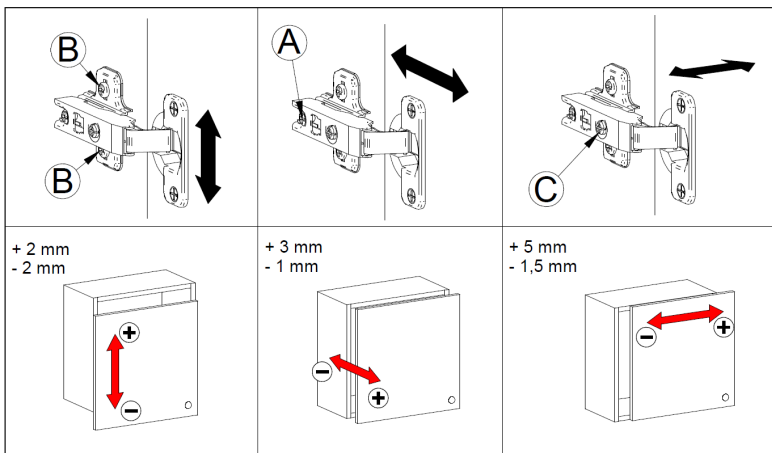
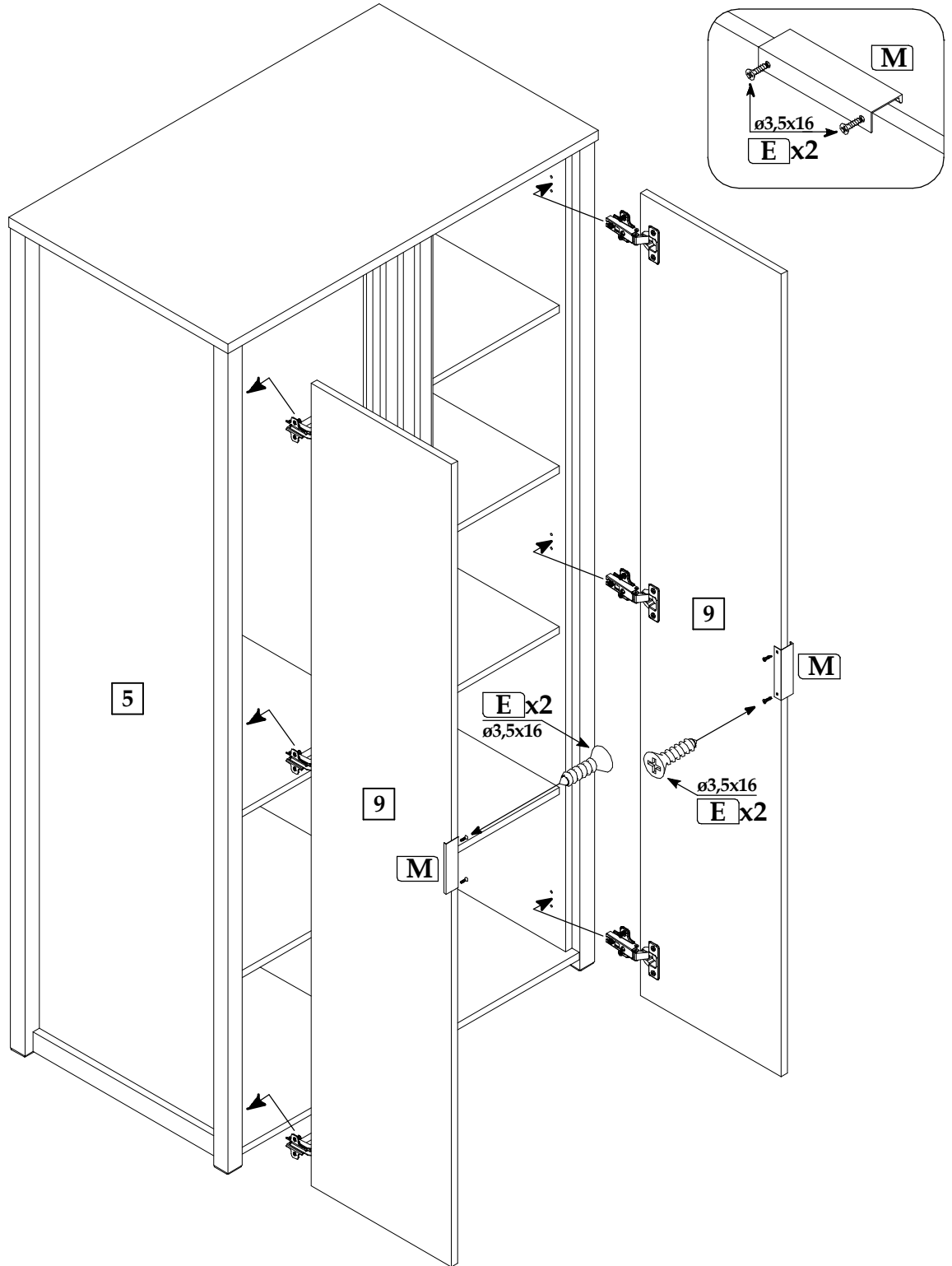


# ▶ 14





▶ 16



▶ 17

