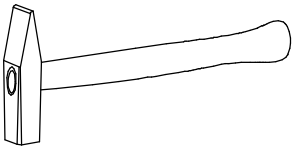
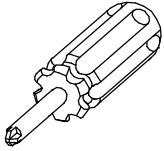
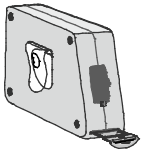
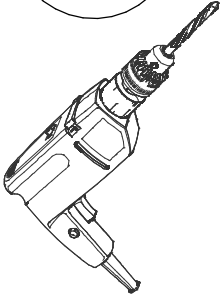
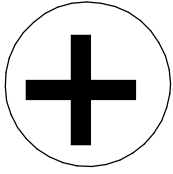
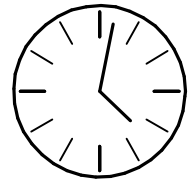
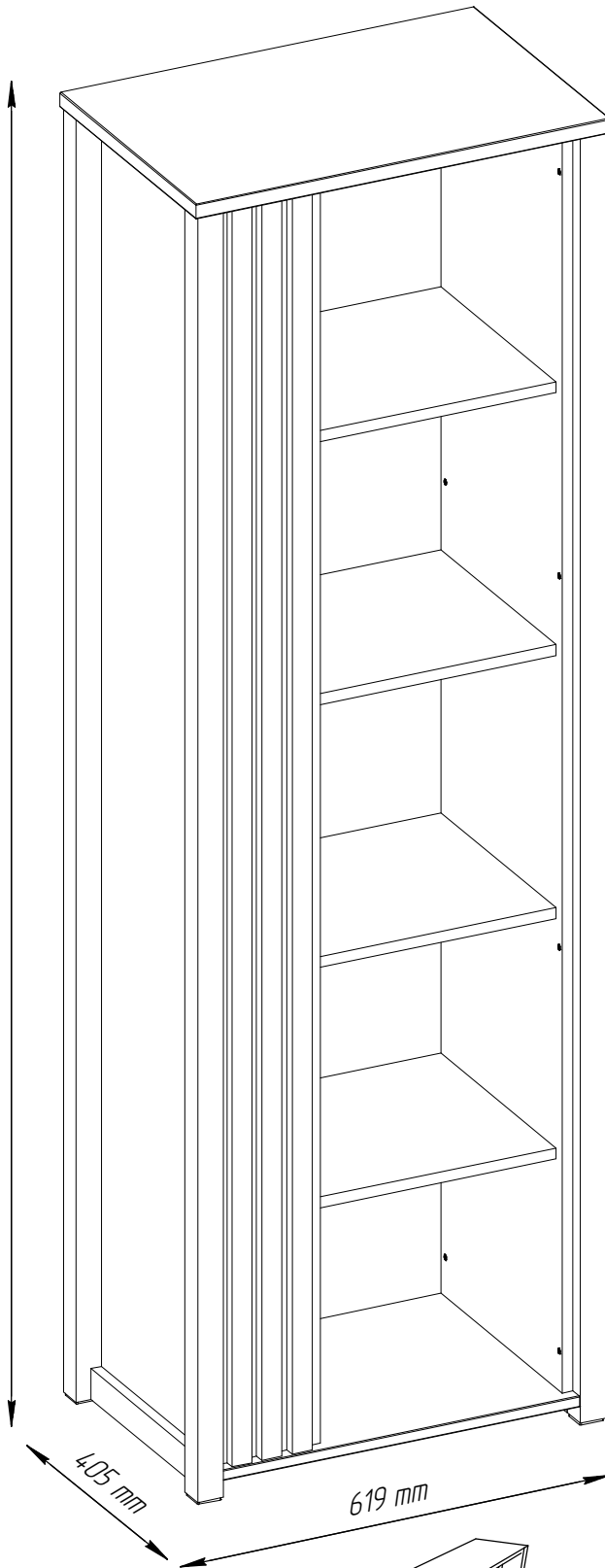


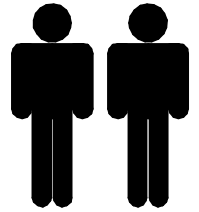
HELIX R2



1910 mm

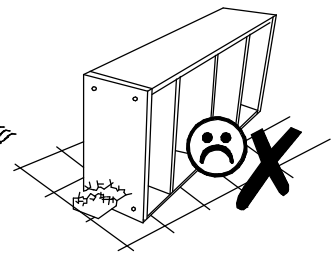
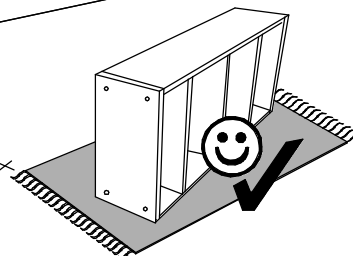
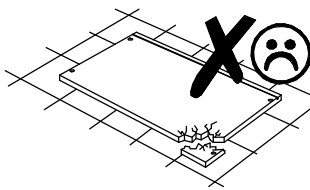
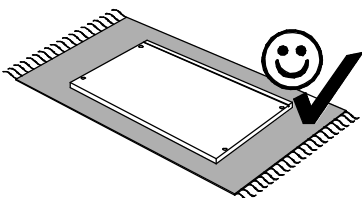


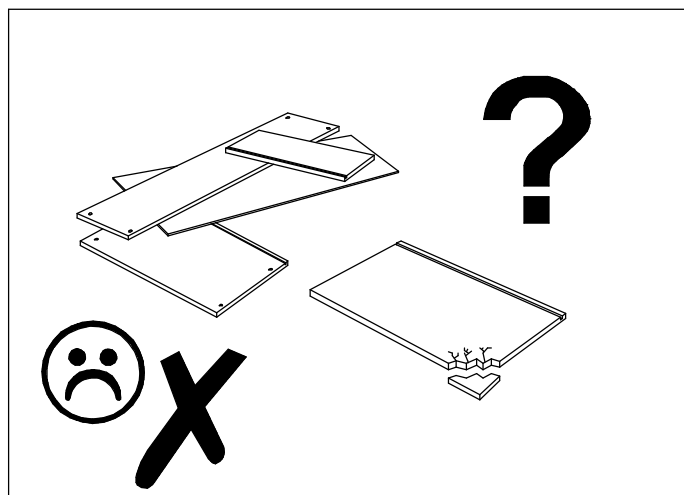
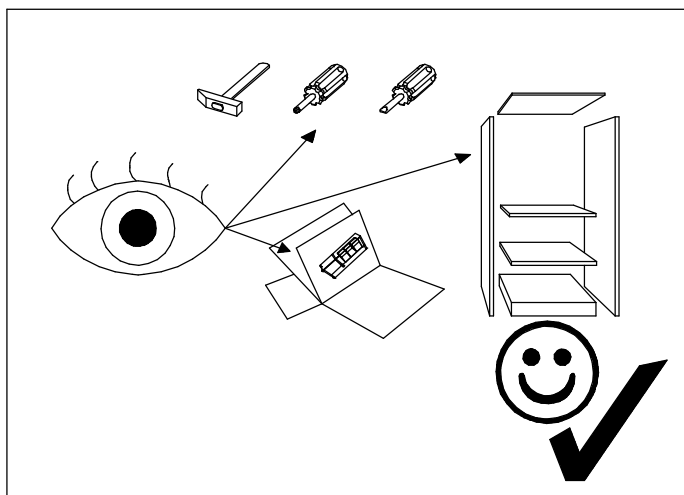
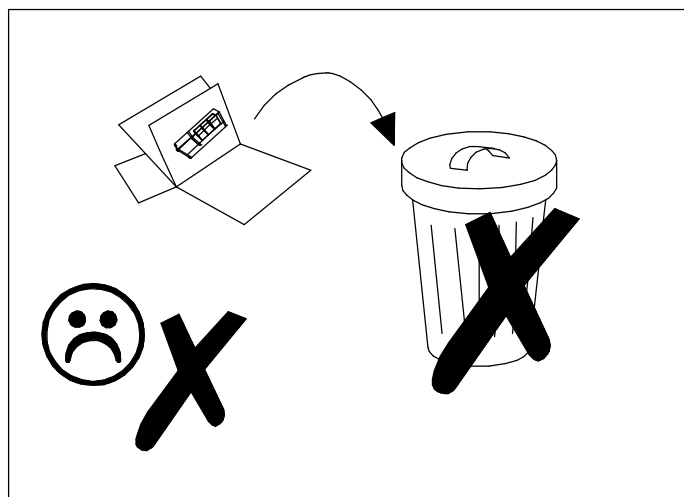
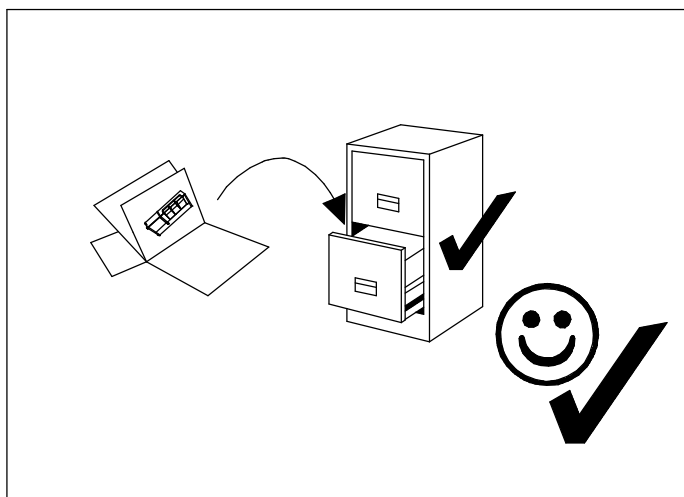
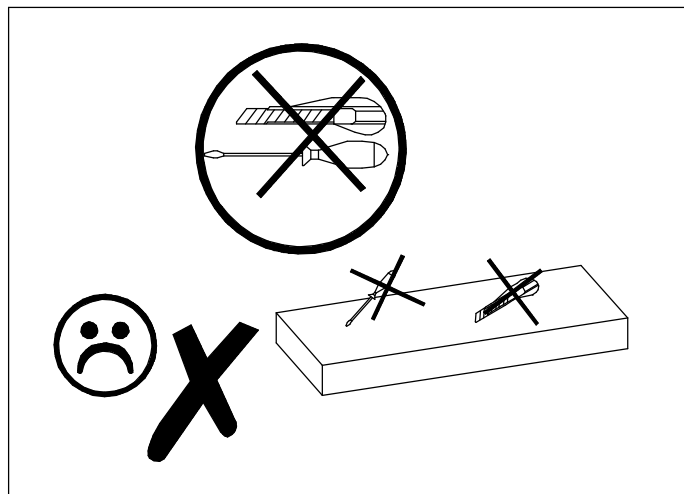
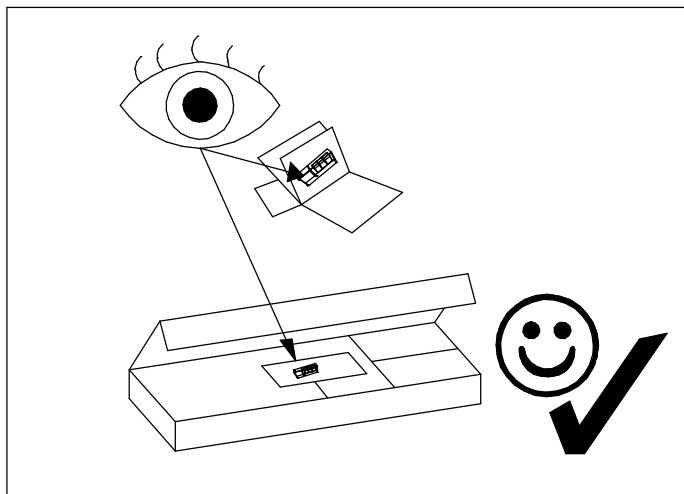
80 min

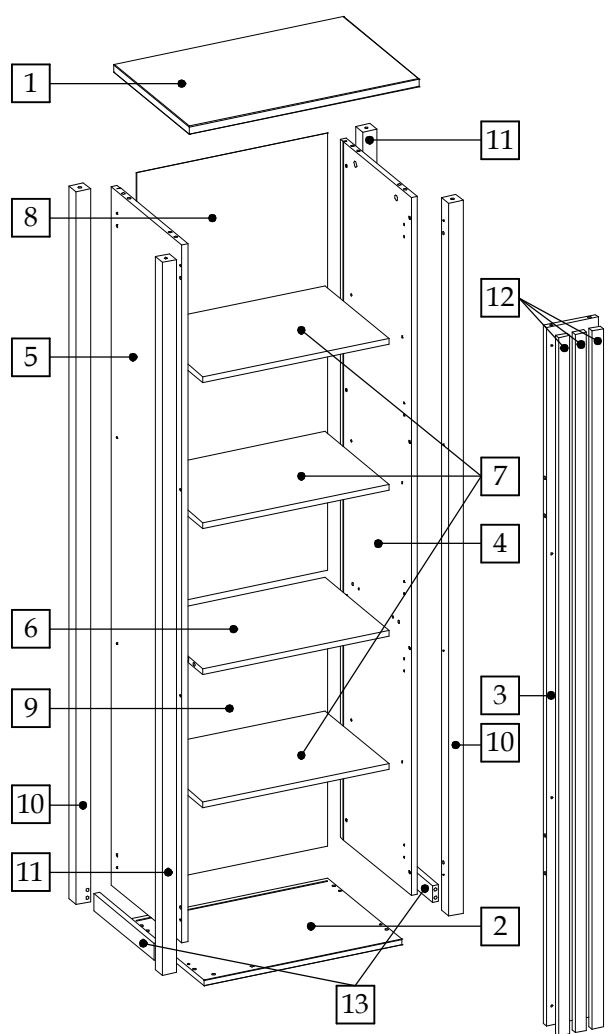
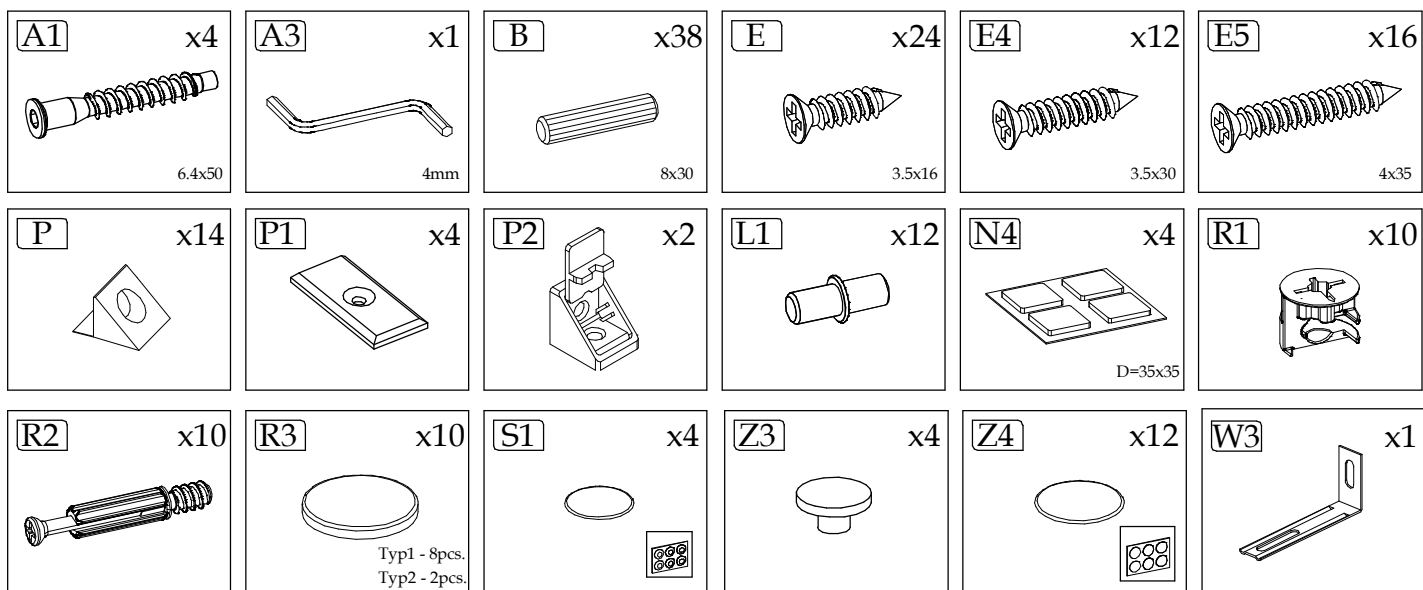


405 mm

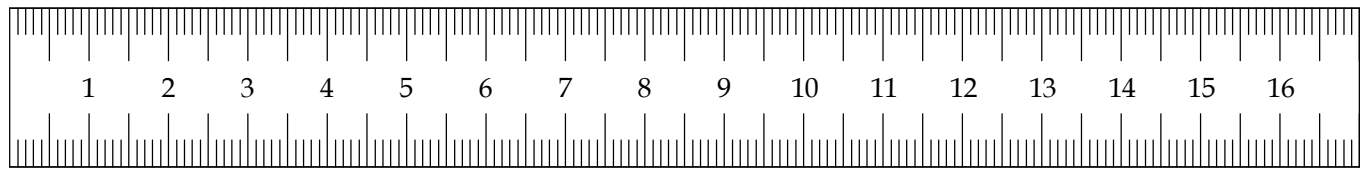
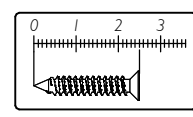
619 mm

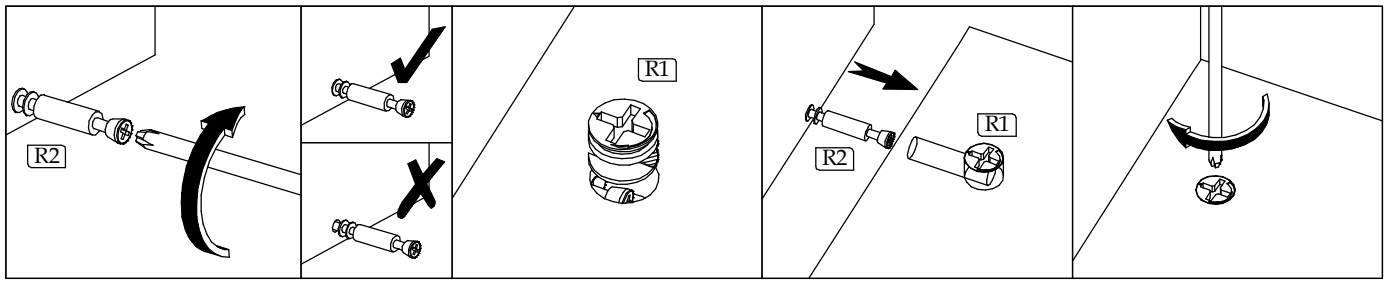




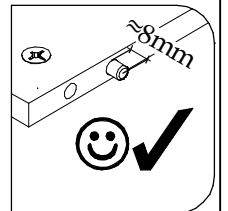
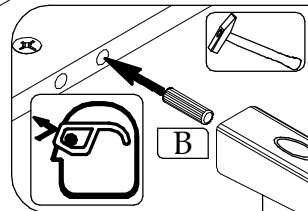
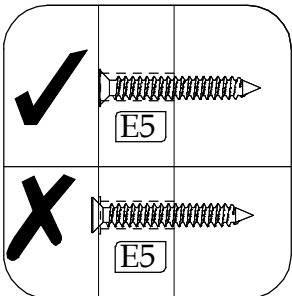
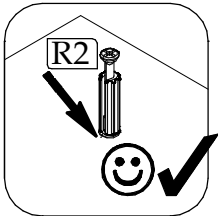
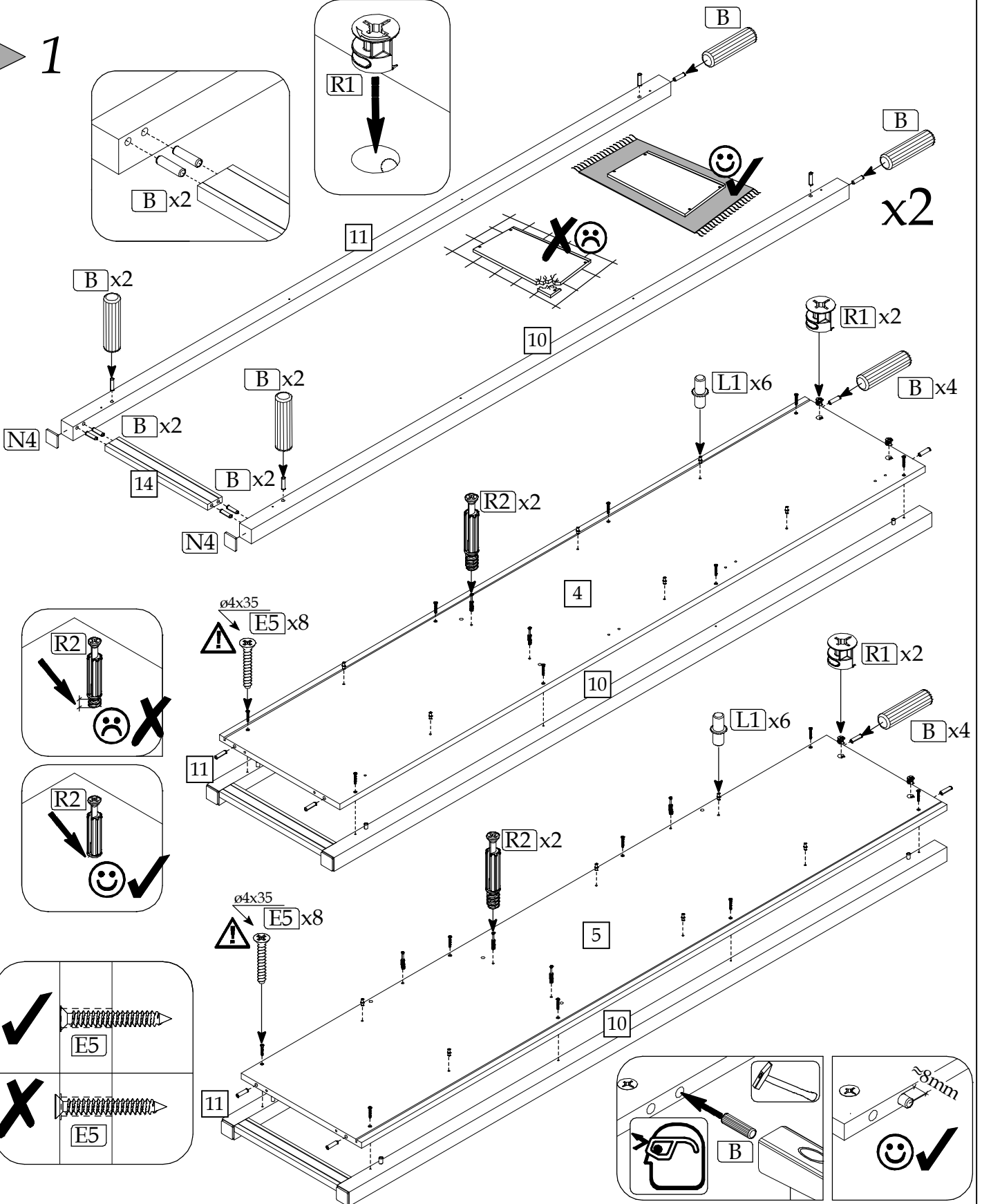
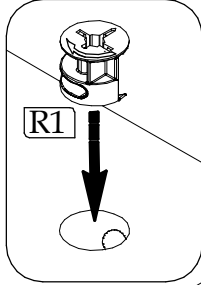
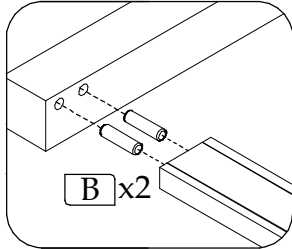


Element symbol	Measurements				Code	Pack
1	619	405	22	1	1001	1/2
2	533	398	16	1	1012	1/2
3	140	1844	16	1	1009	1/2
4	1844	379	16	1	1010	1/2
5	1844	379	16	1	1011	1/2
6	501	343	16	1	1027	1/2
7	501	343	16	3	N/A	1/2
8	1155	515	3	1	N/A	1/2
9	703	515	3	1	N/A	1/2
10	1883	38	38	2	P38_1883x38_T1	2/2
11	1883	38	38	2	P38_1883x38_T2	2/2
12	1844	30	16	3	P16_1844x30x16	1/2
13	324	45	16	2	P16_324x45x16	1/2

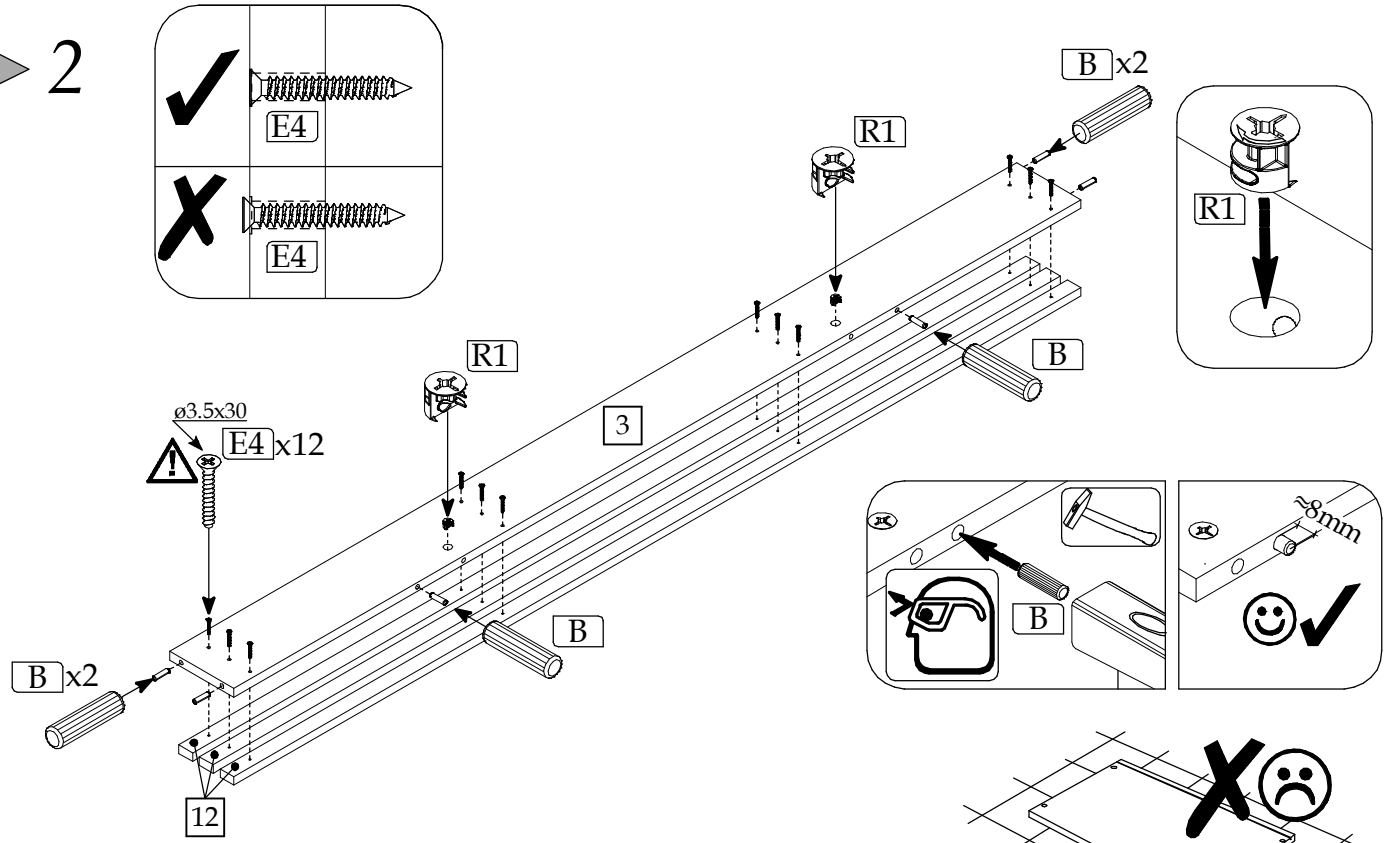
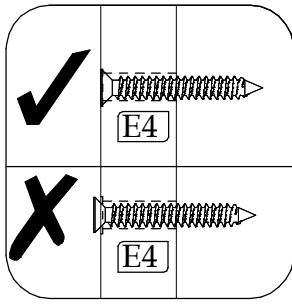




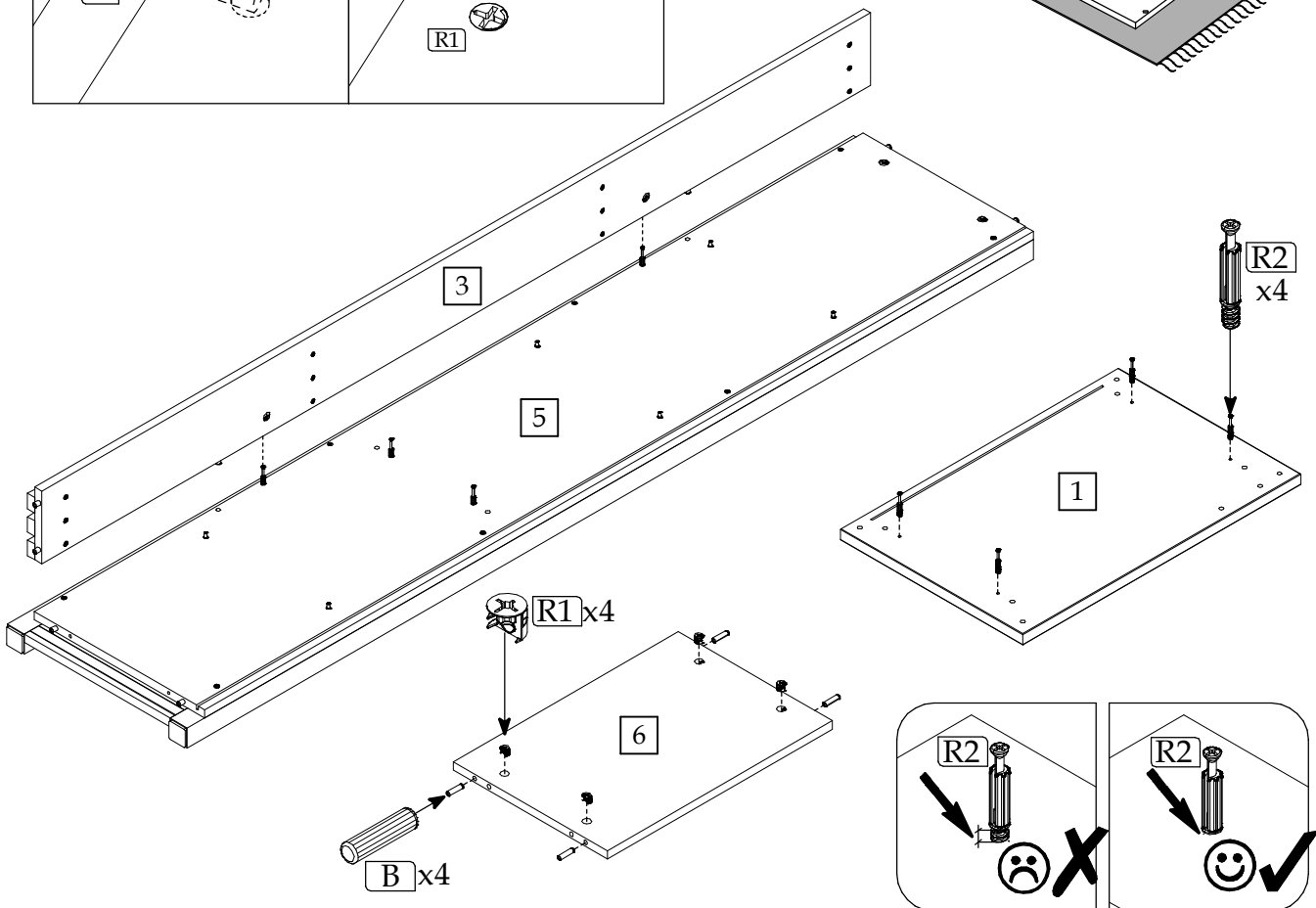
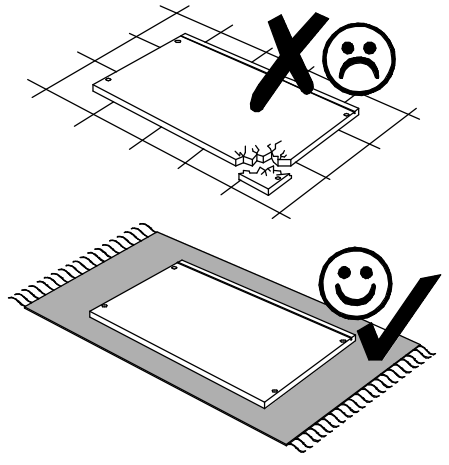
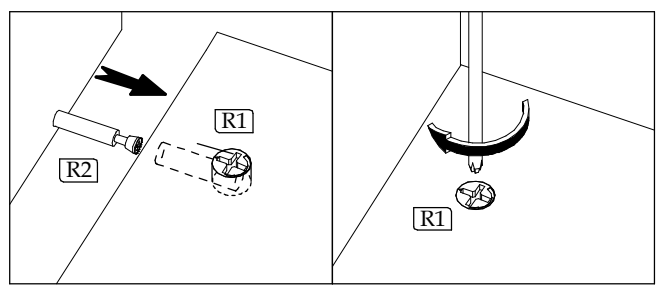
▶ 1



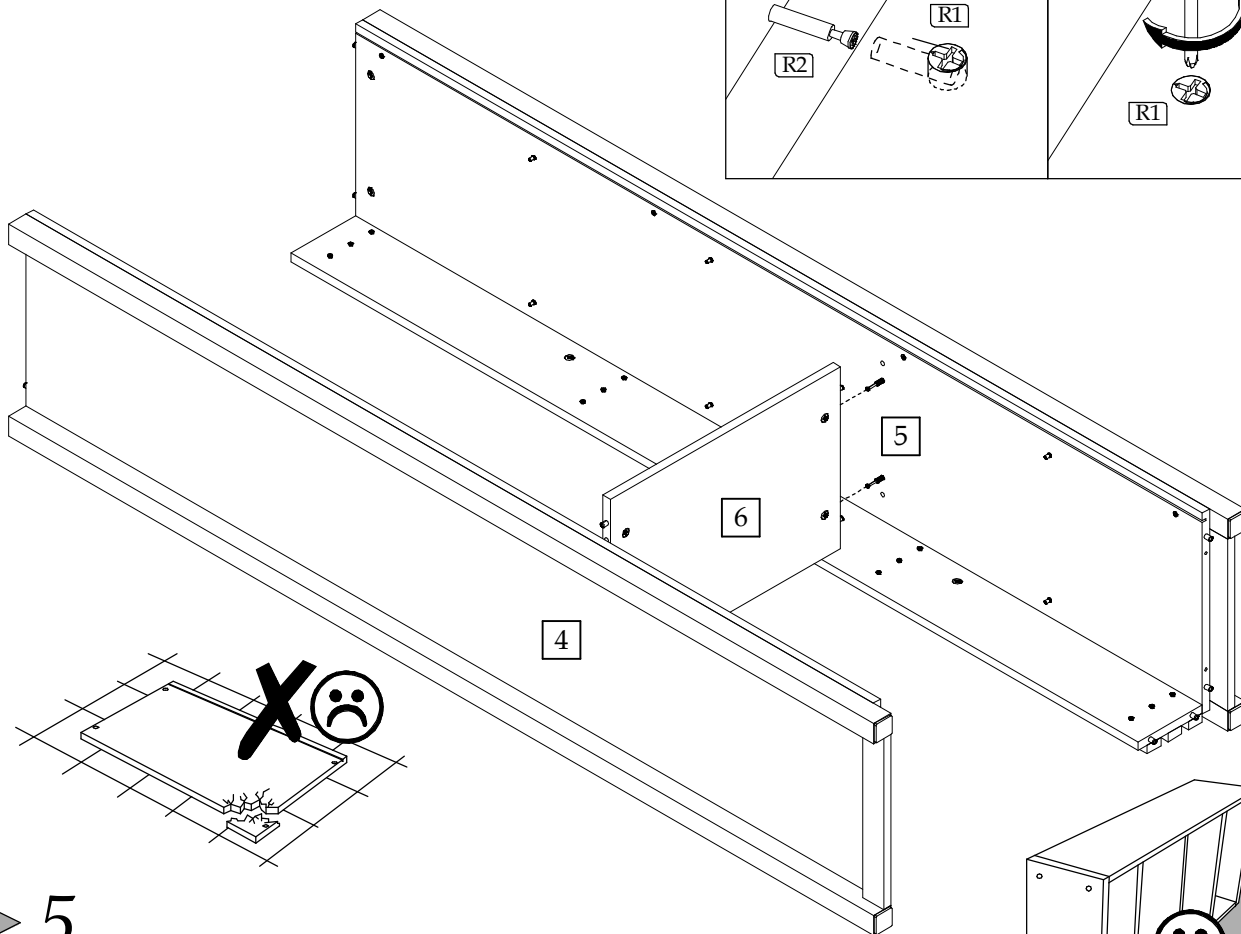
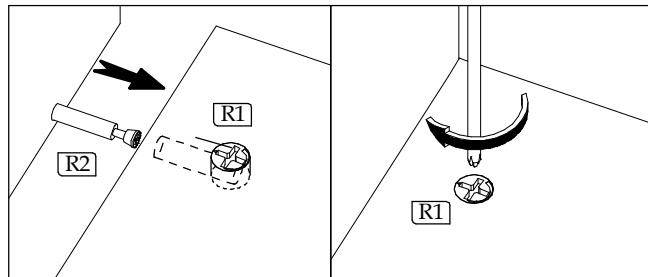
▶ 2



▶ 3



▶ 4



▶ 5

