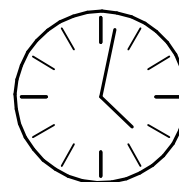
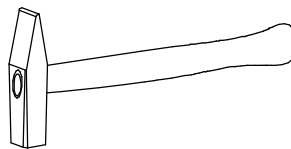
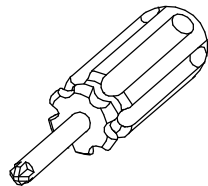
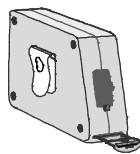
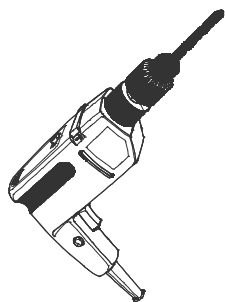
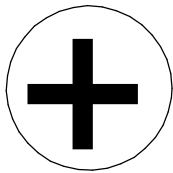
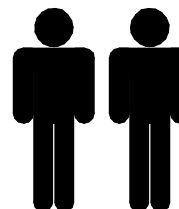


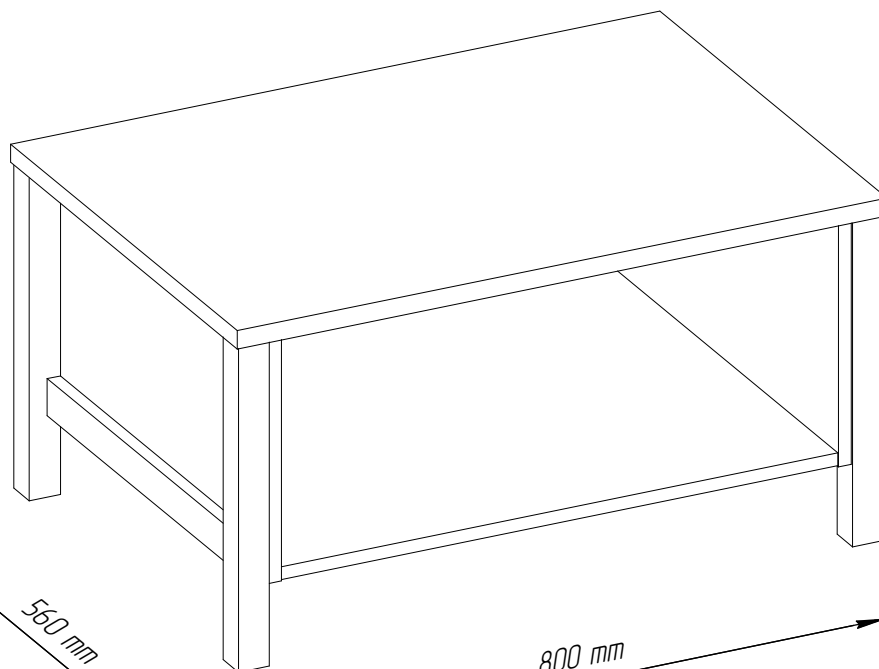
HELIX T



60 min

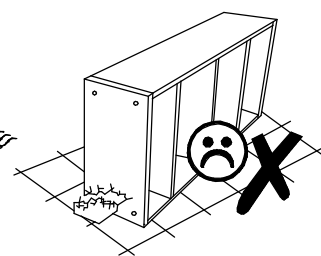
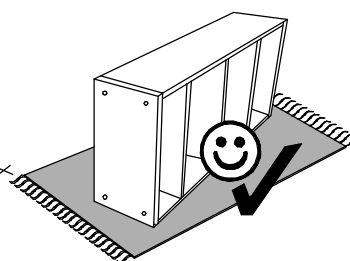
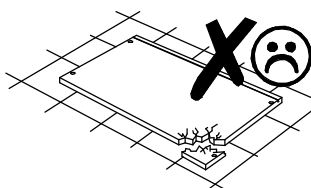
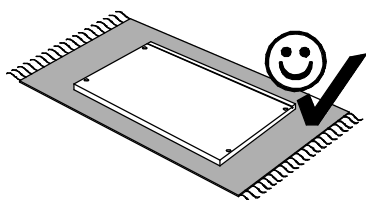


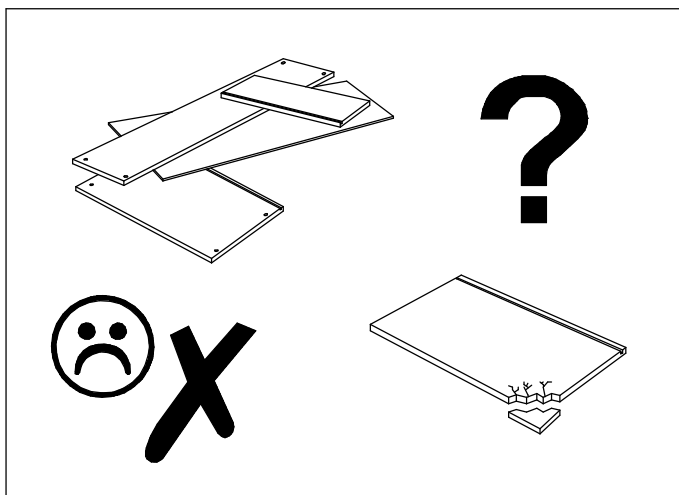
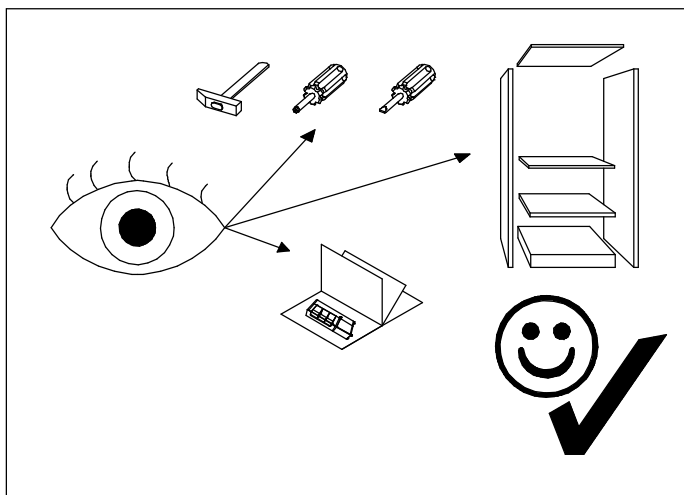
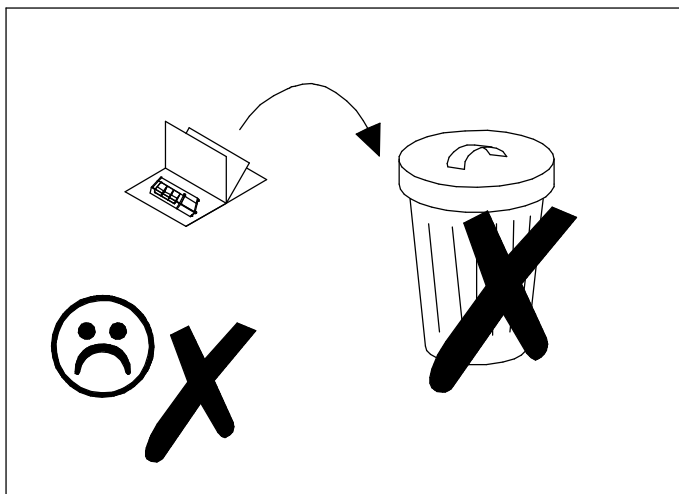
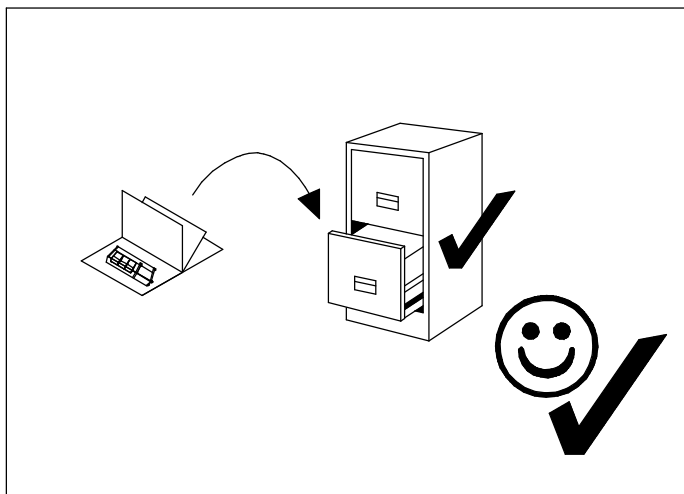
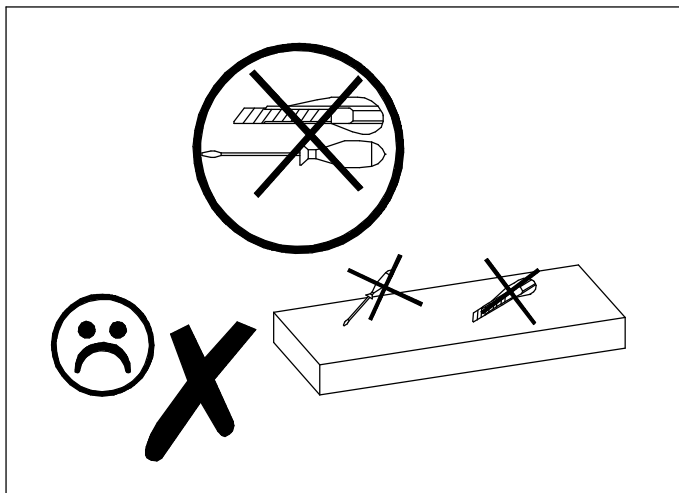
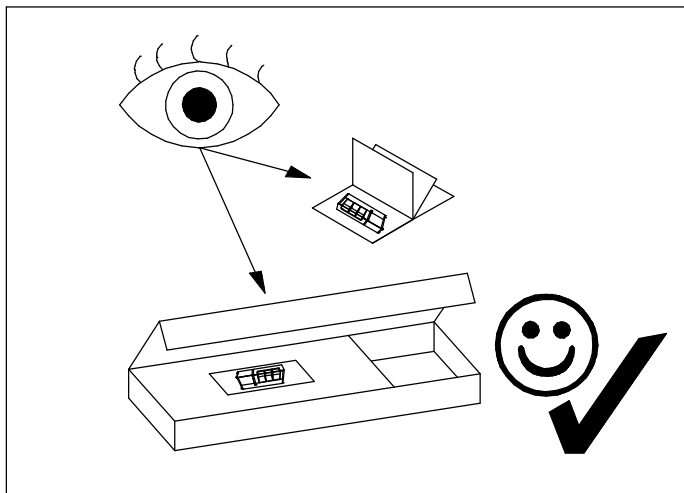
420 mm

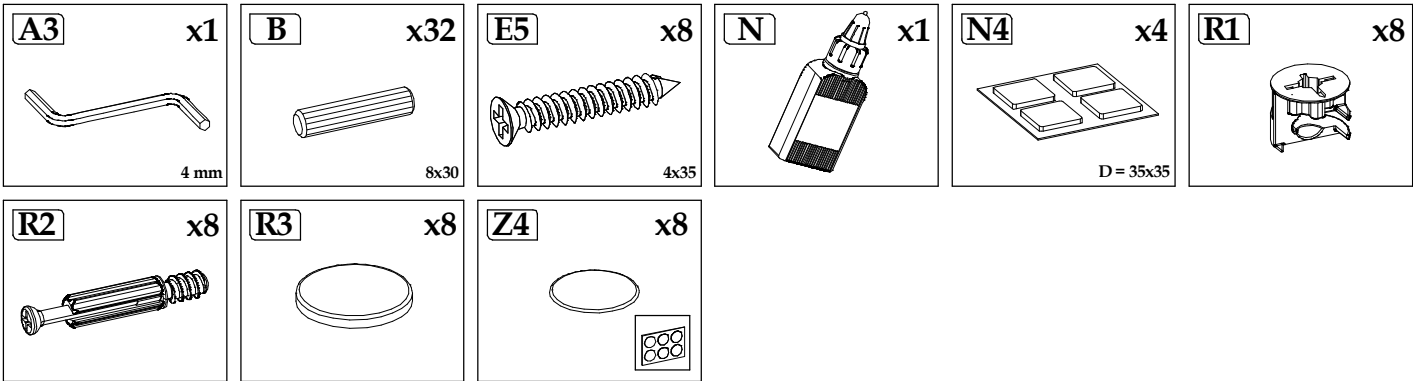


560 mm

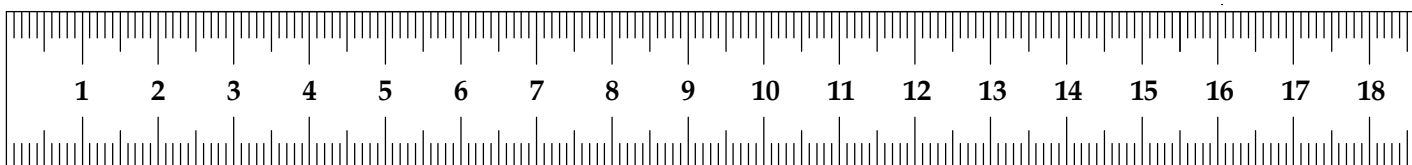
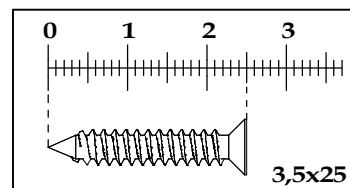
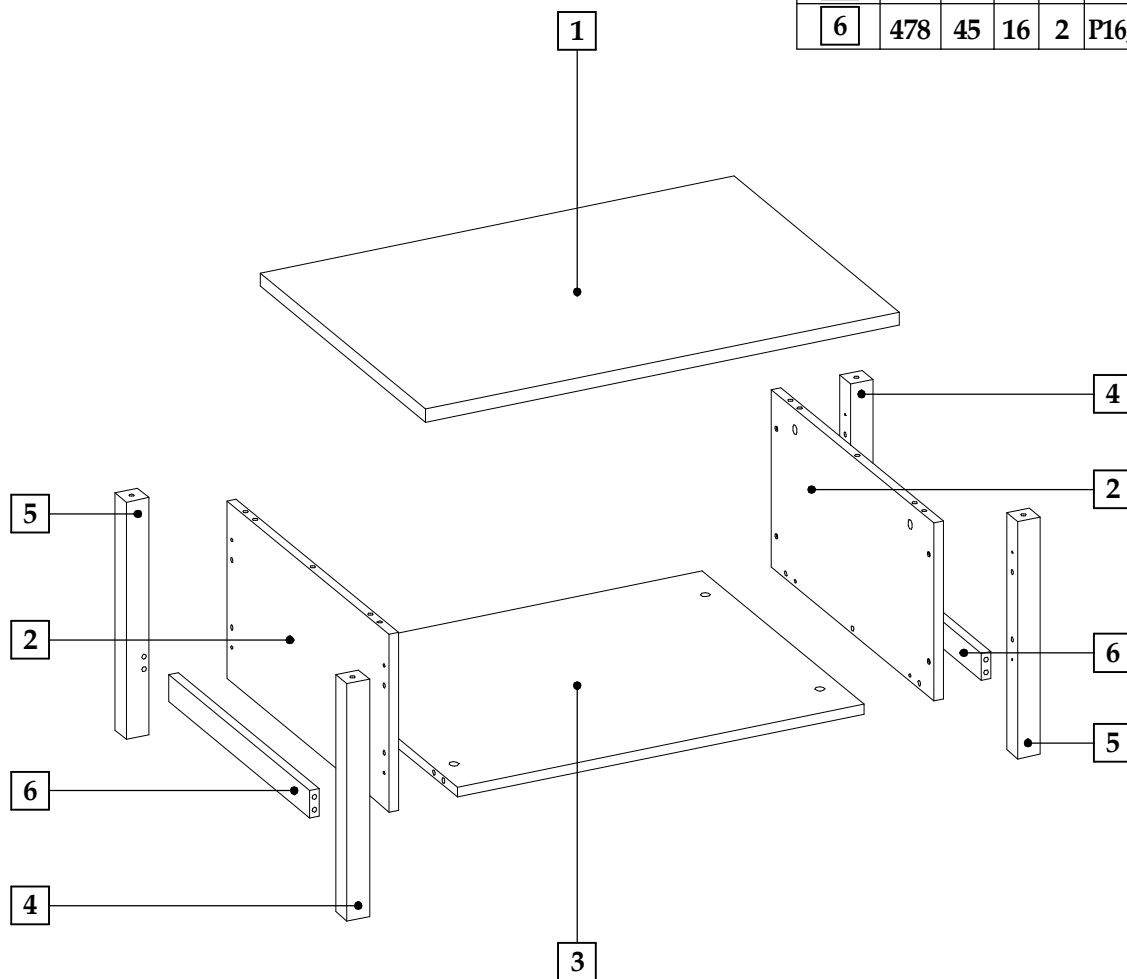
800 mm





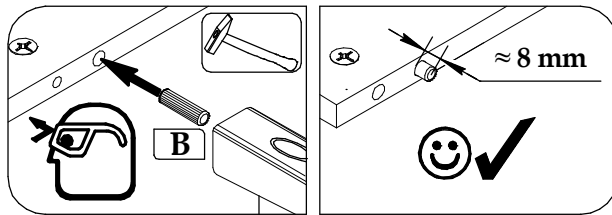
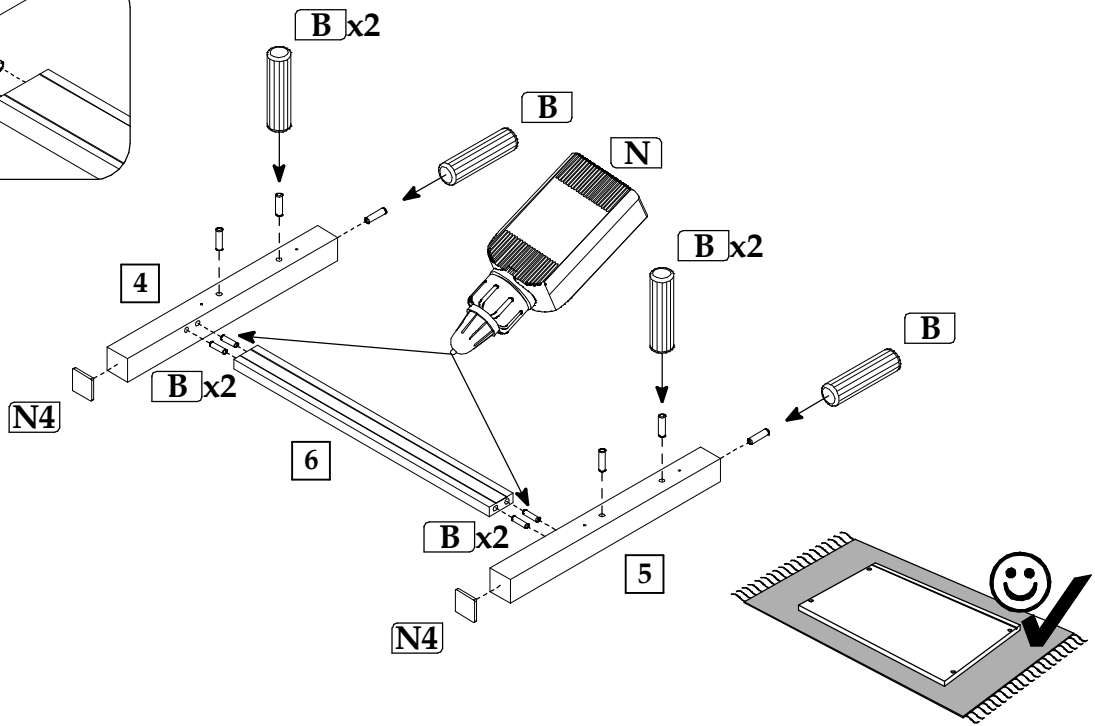
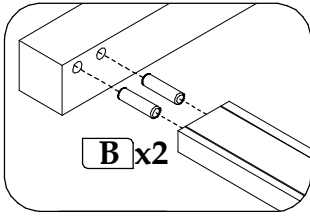


Element symbol	Measurements				Code	Pack
1	800	560	22	1	1001	1/ 1
2	294	550	16	2	1053/ 1054	1/ 1
3	686	548	16	1	1055	1/ 1
4	393	38	38	2	P38_393x38_T1	1/ 1
5	393	38	38	2	P38_393x38_T2	1/ 1
6	478	45	16	2	P16_478x45x16	1/ 1



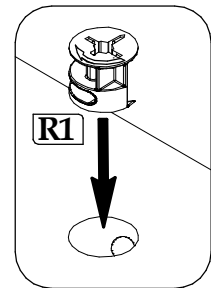
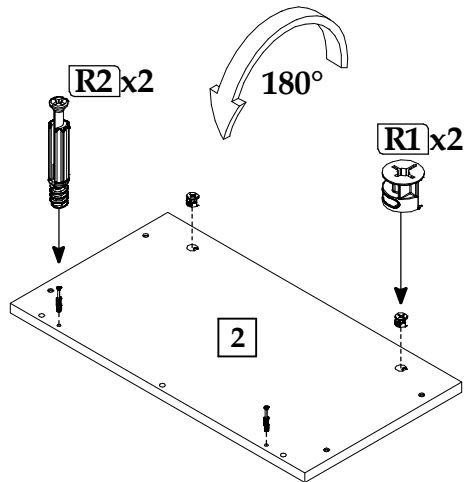
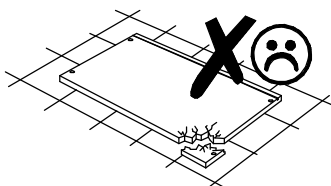
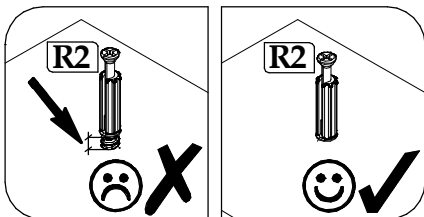
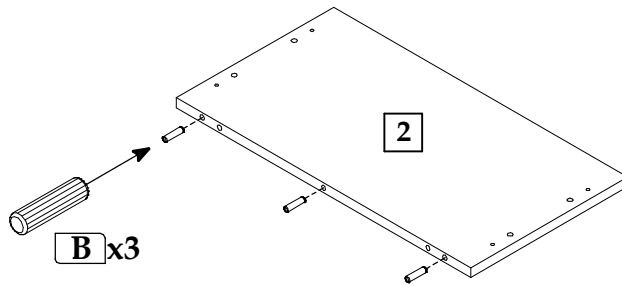
▶ 1

x2



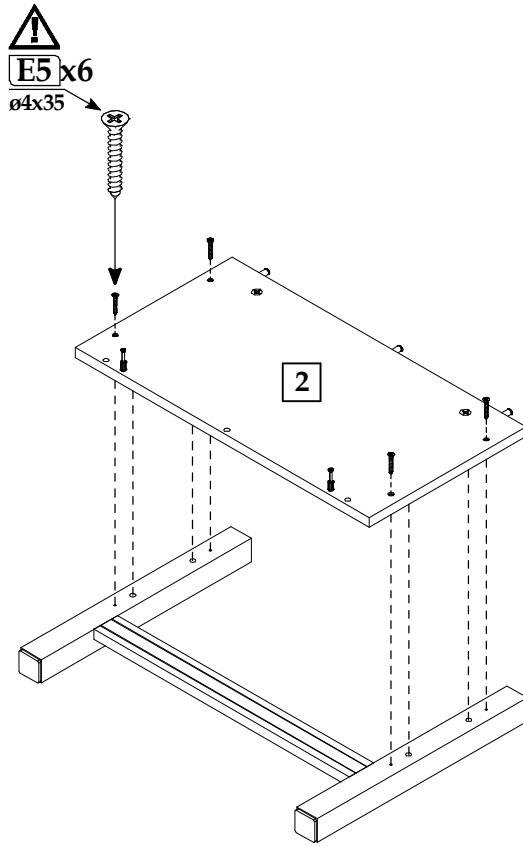
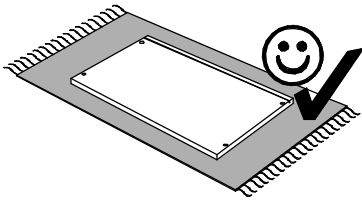
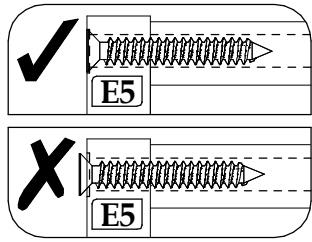
▶ 2

x2

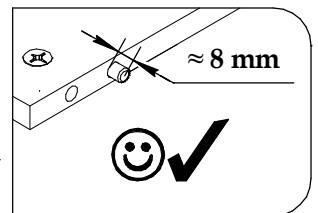
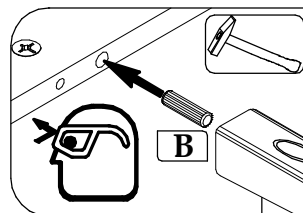
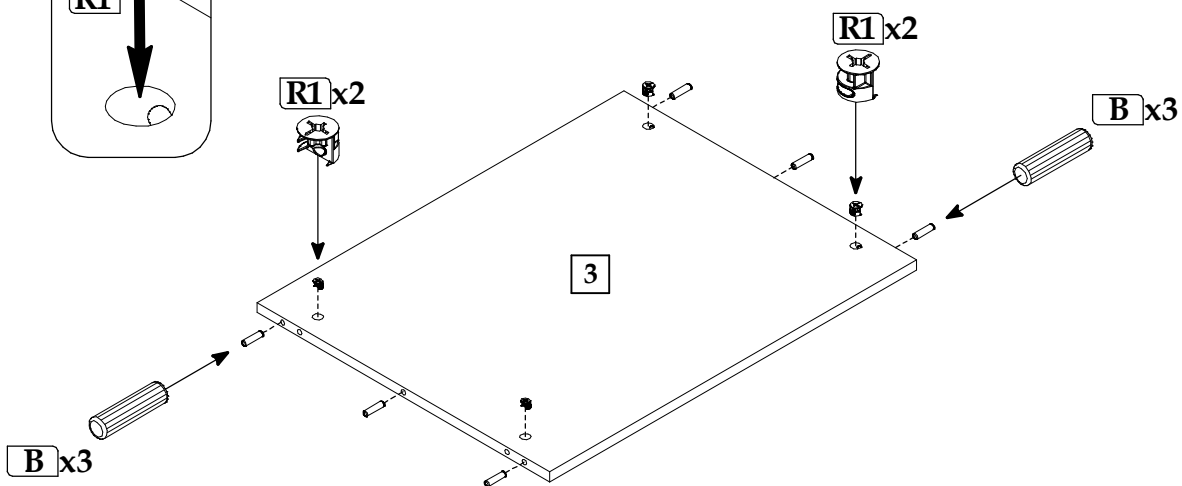
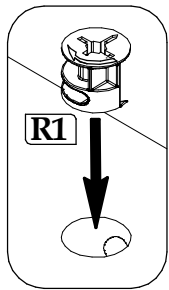
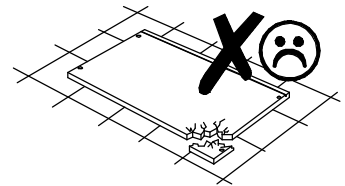


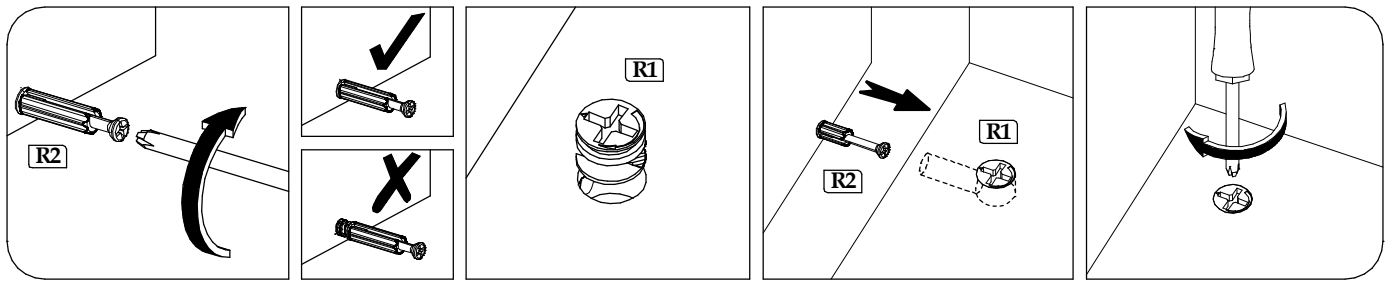
▶ 3

x2

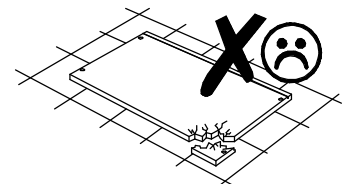
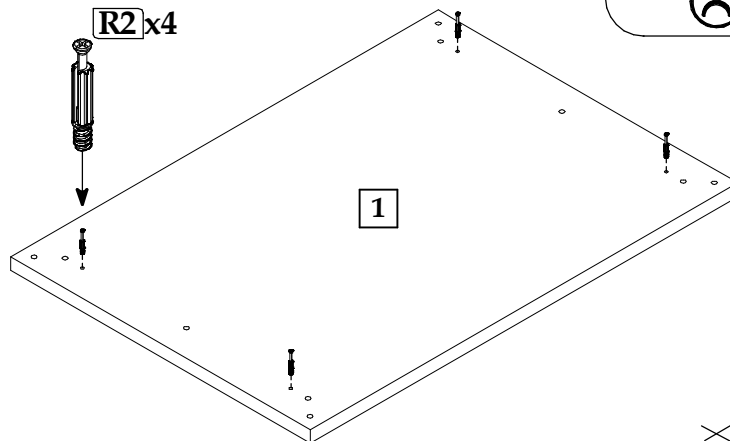
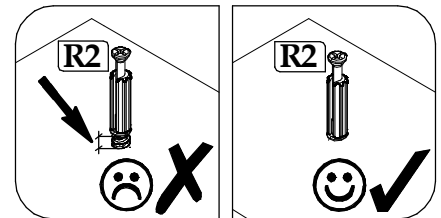
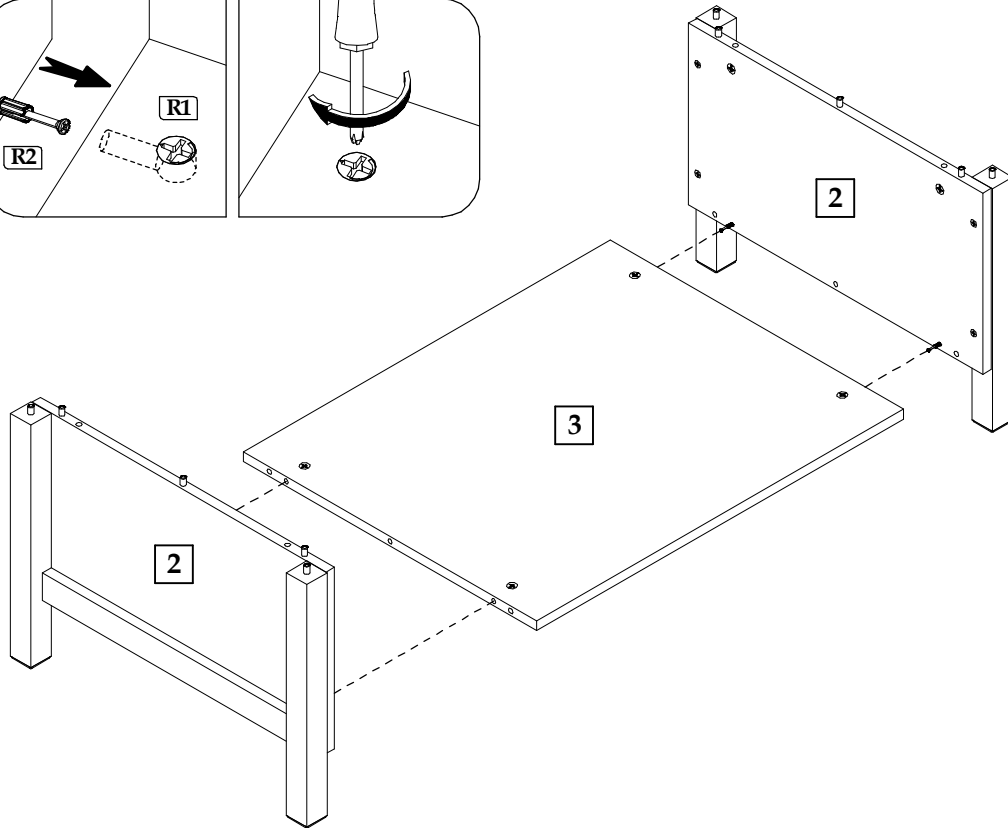
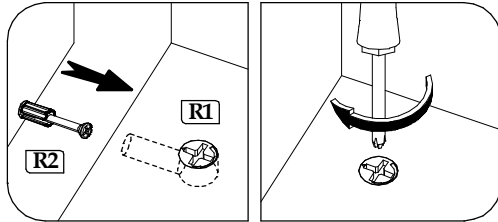


▶ 4

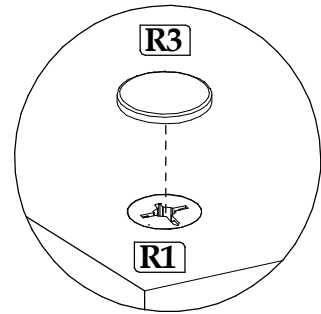
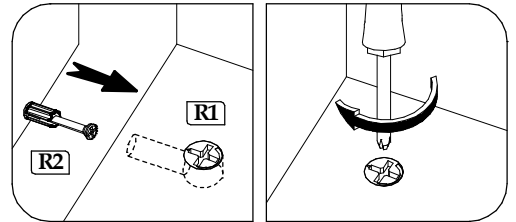
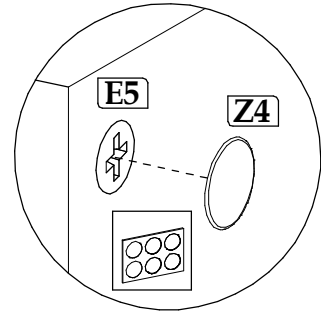
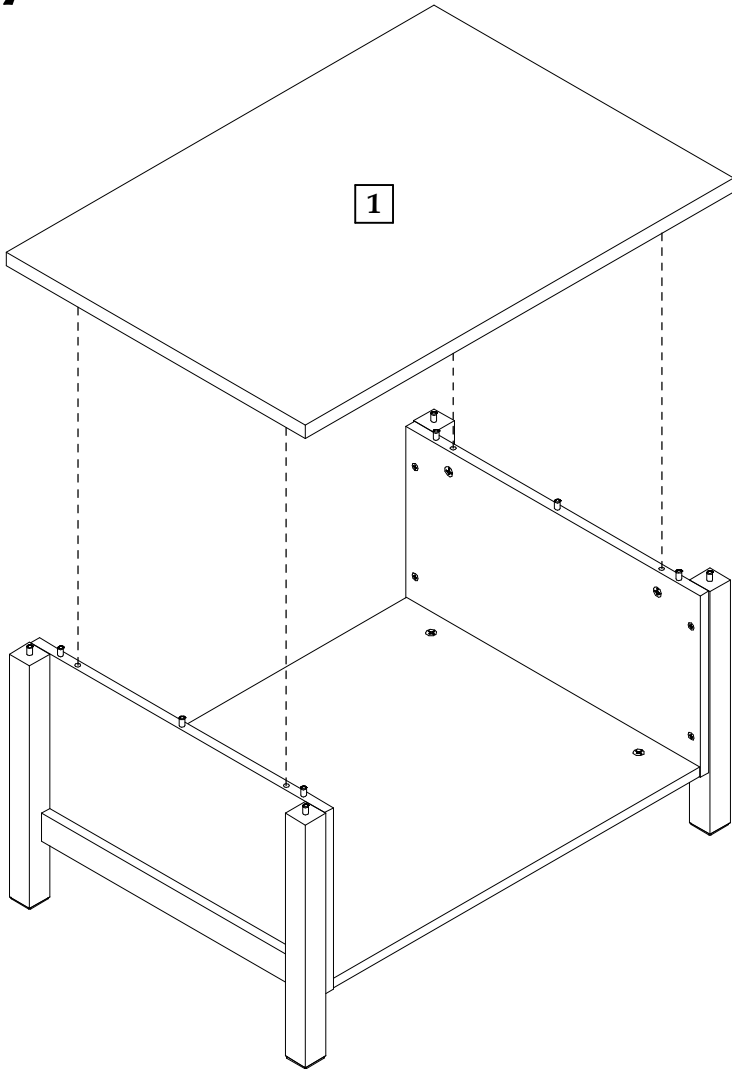




▶ 5



▶ 7



▶ 8

