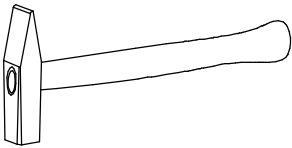
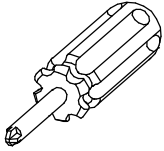
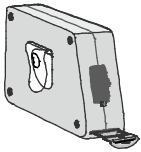
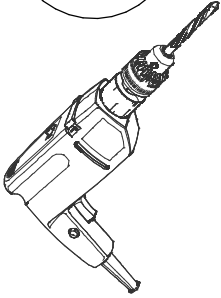
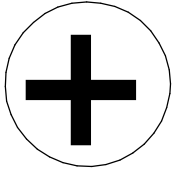
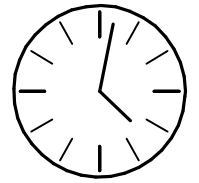
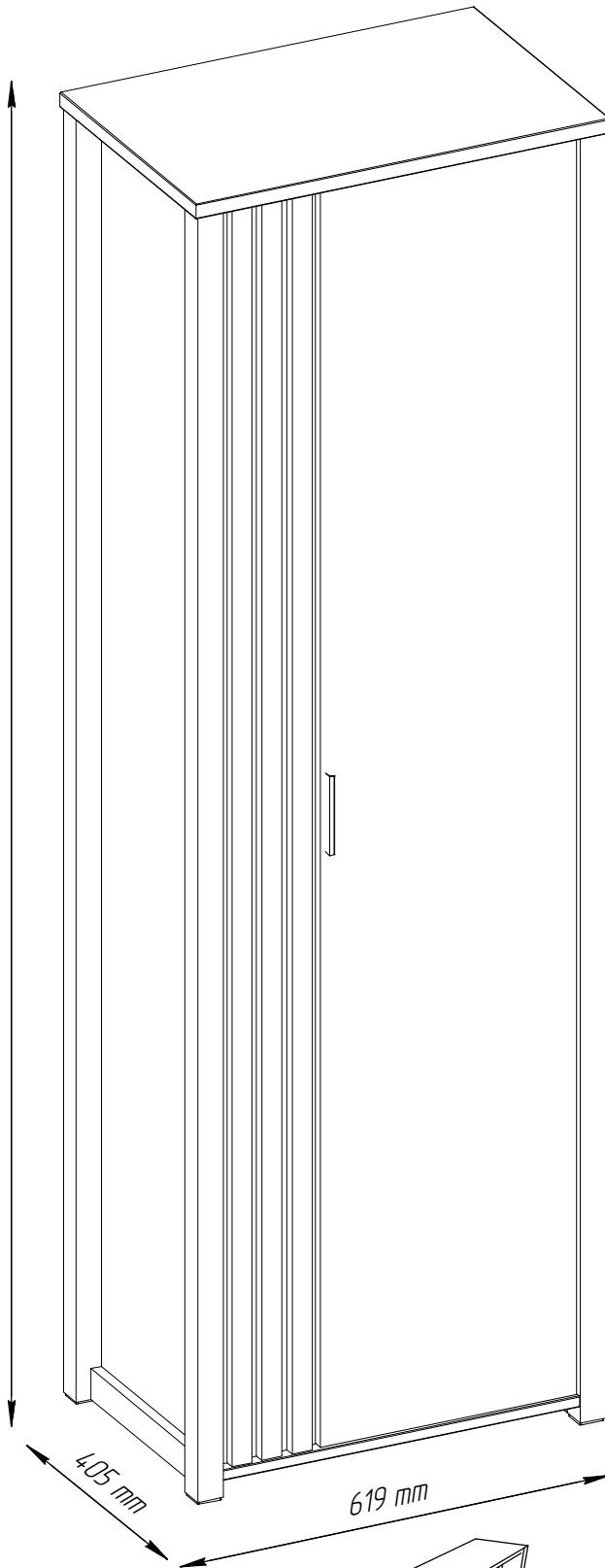


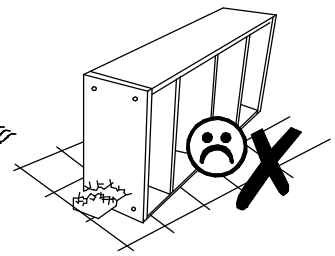
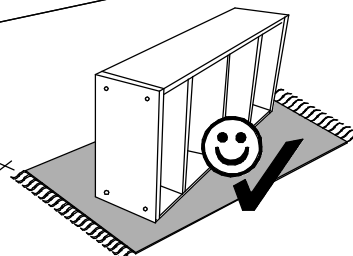
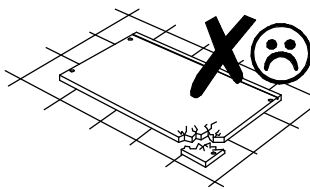
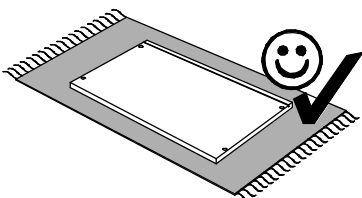
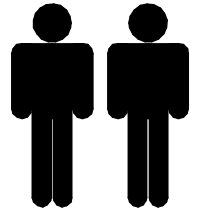
# HELIX V2

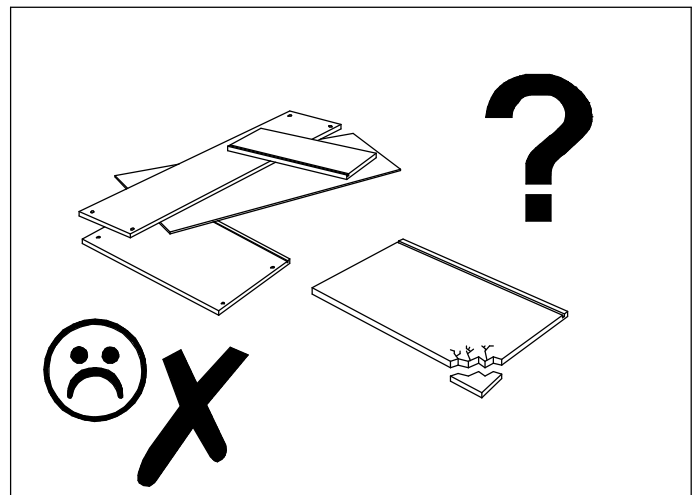
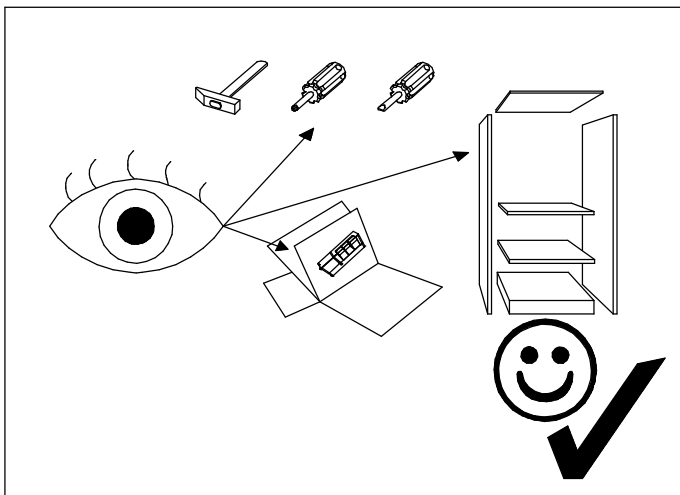
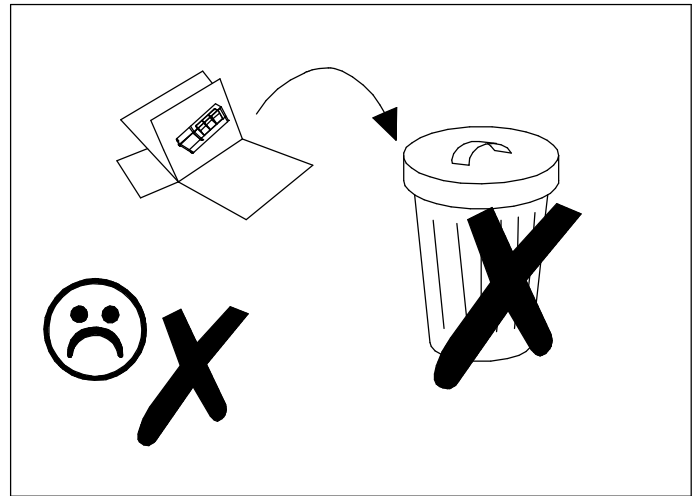
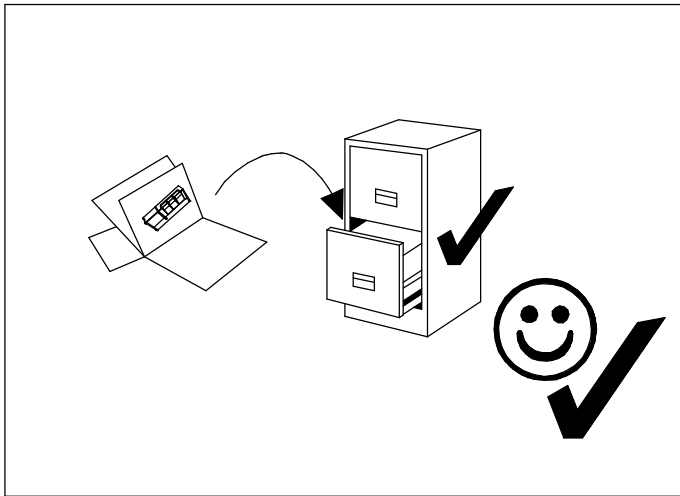
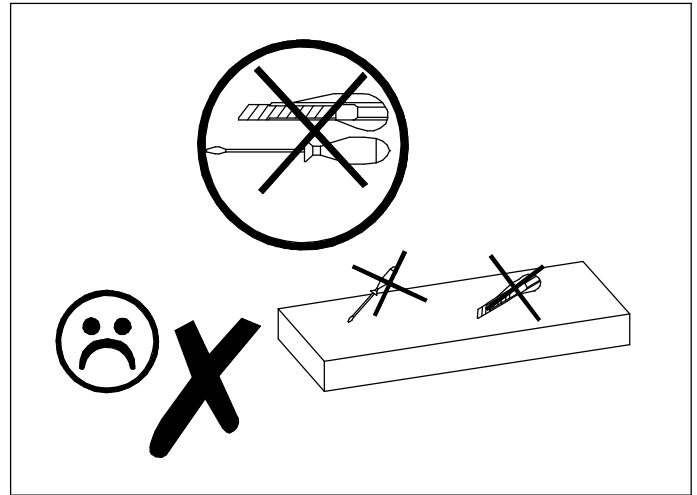
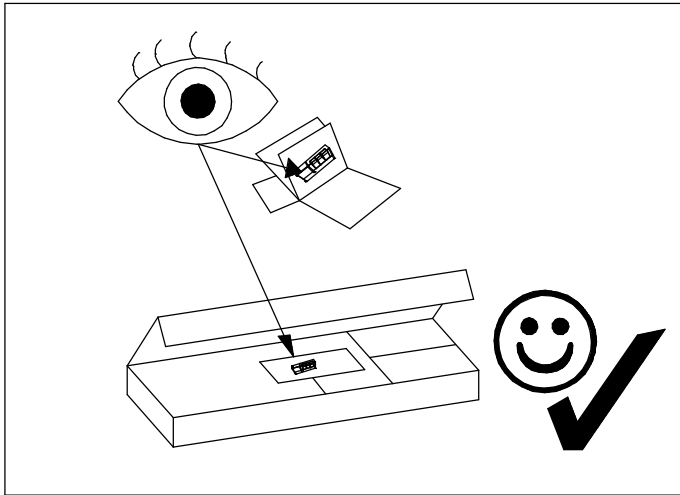


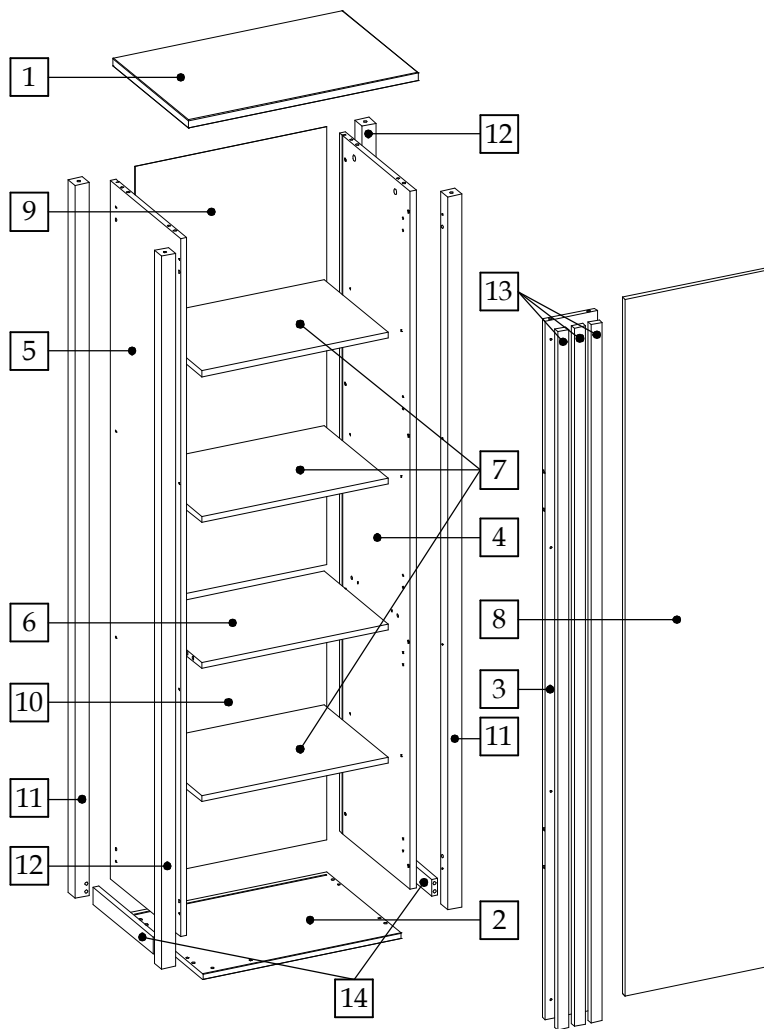
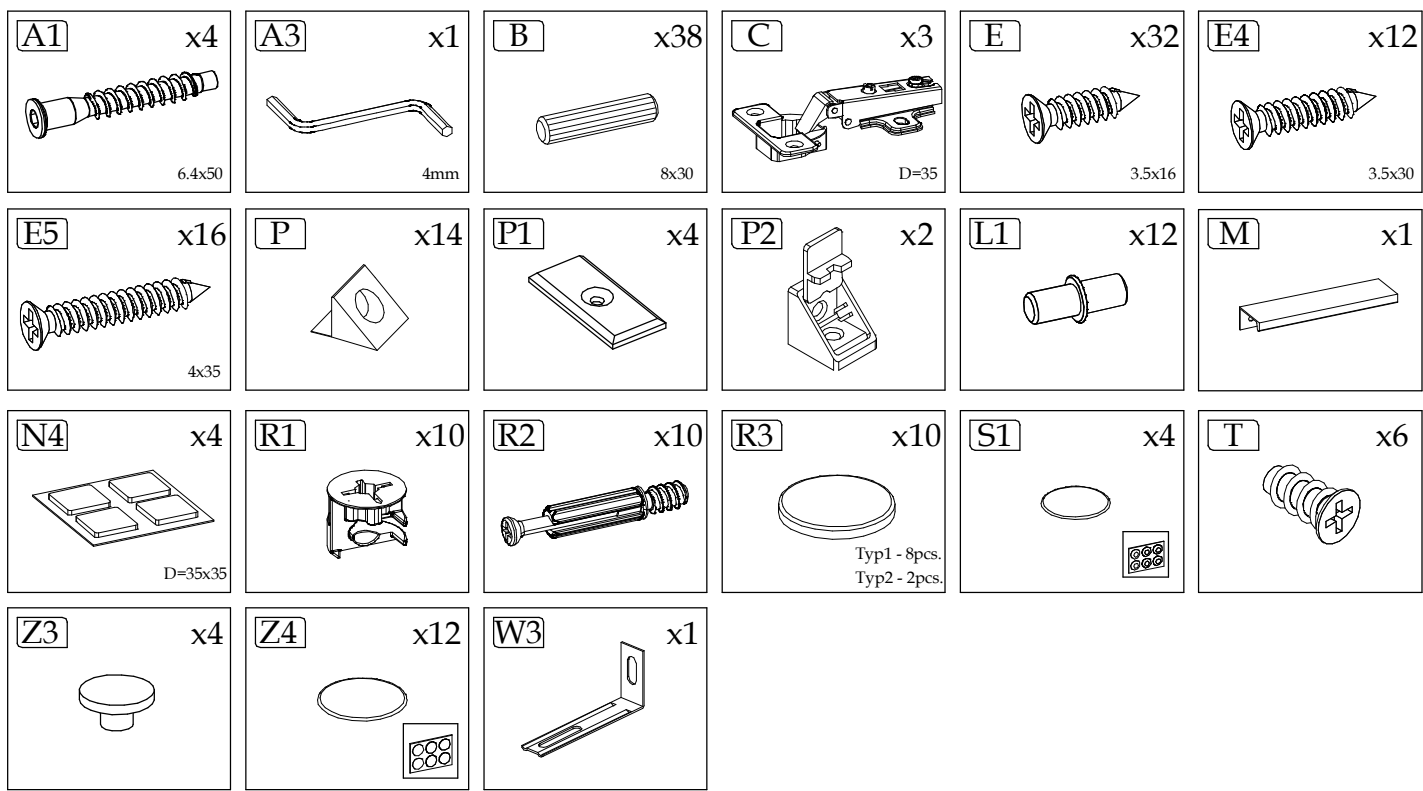
1910 mm



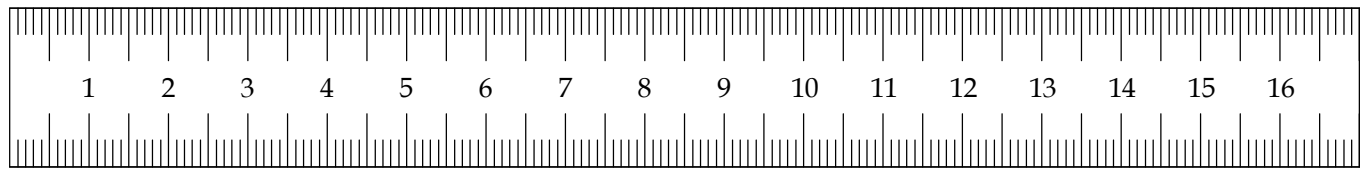
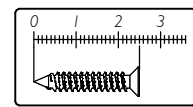
100 min

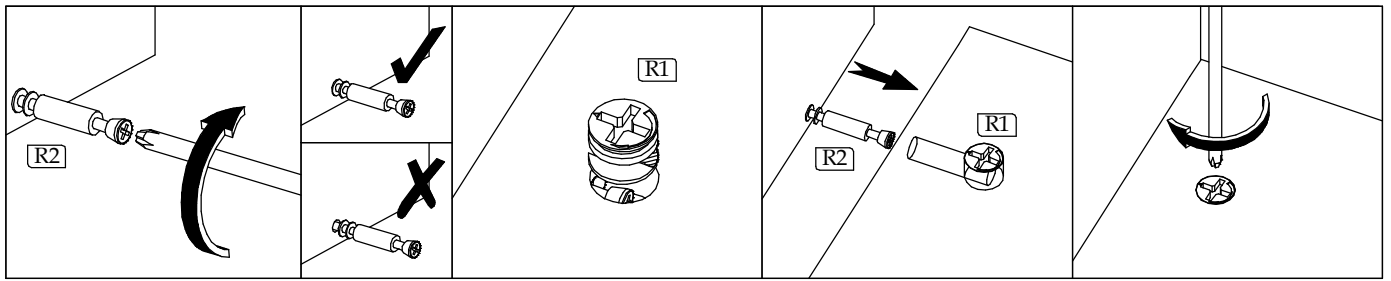




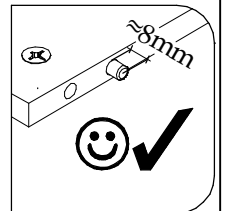
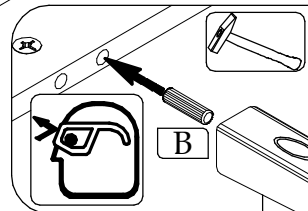
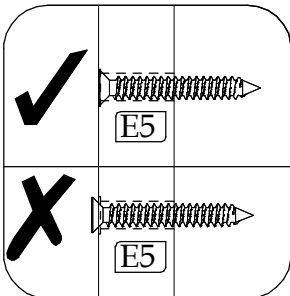
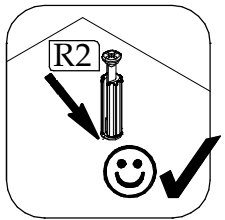
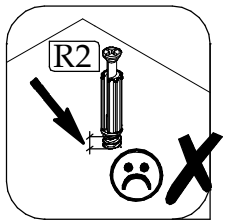
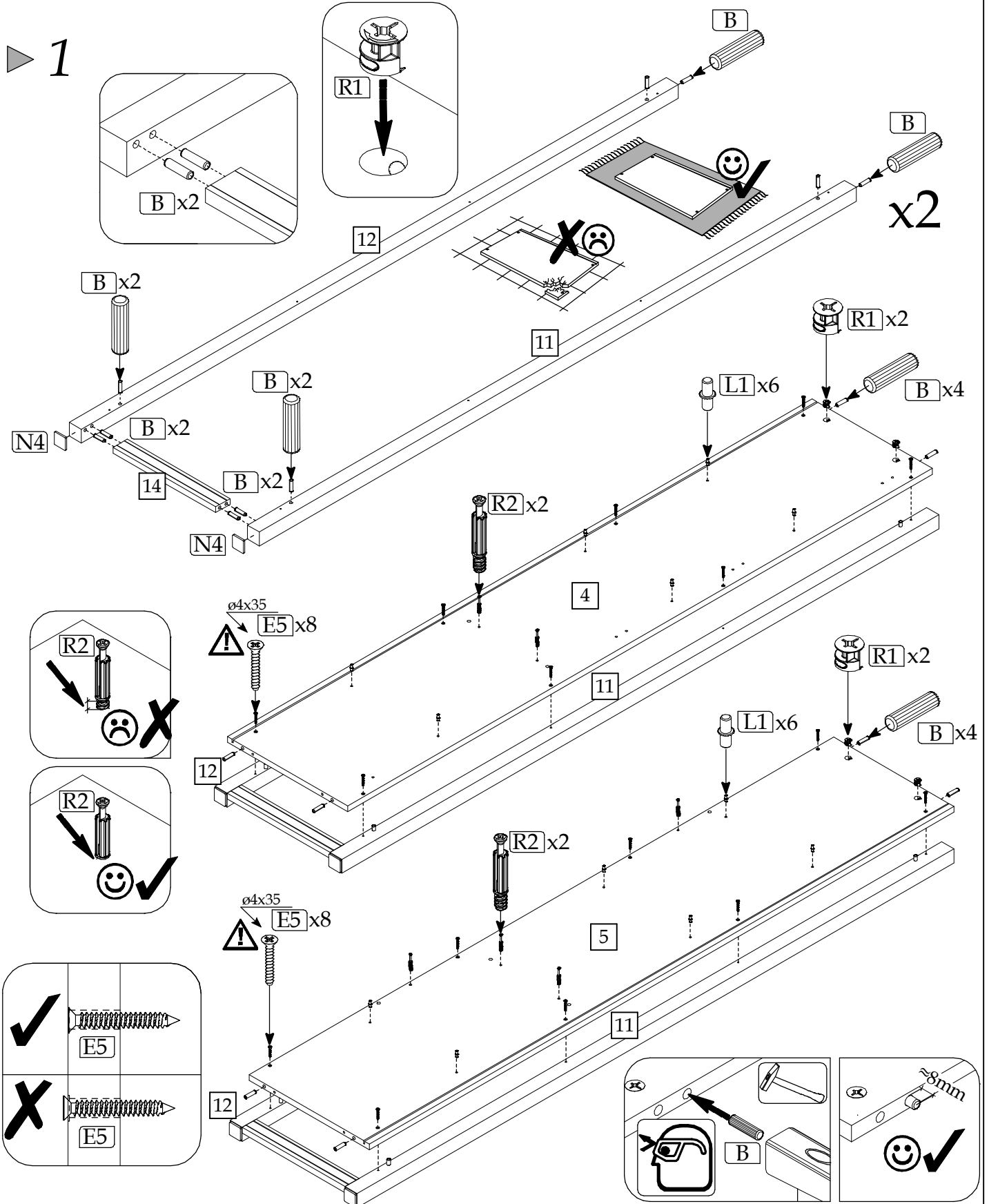


Element symbol	Measurements				Code	Pack
1	619	405	22	1	1001	1/2
2	533	398	16	1	1012	1/2
3	140	1844	16	1	1009	1/2
4	1844	379	16	1	1010	1/2
5	1844	379	16	1	1011	1/2
6	501	343	16	1	1027	1/2
7	501	343	16	3	N/A	1/2
8	1839	382	16	1	1024	1/2
9	1155	515	3	1	N/A	1/2
10	703	515	3	1	N/A	1/2
11	1883	38	38	2	P38_1883x38_T1	2/2
12	1883	38	38	2	P38_1883x38_T2	2/2
13	1844	30	16	3	P16_1844x30x16	1/2
14	324	45	16	2	P16_324x45x16	1/2

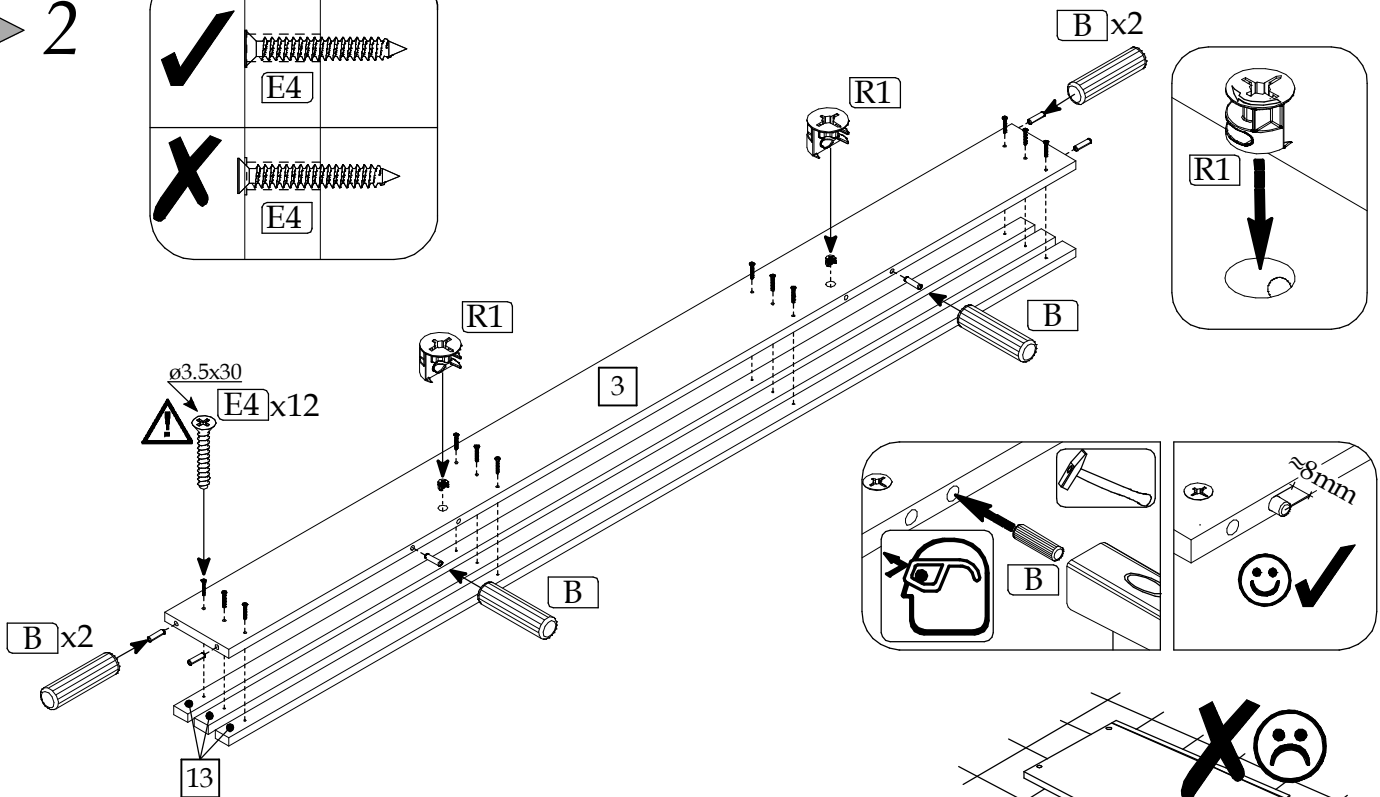
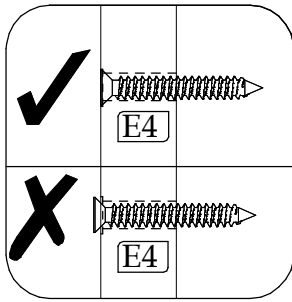




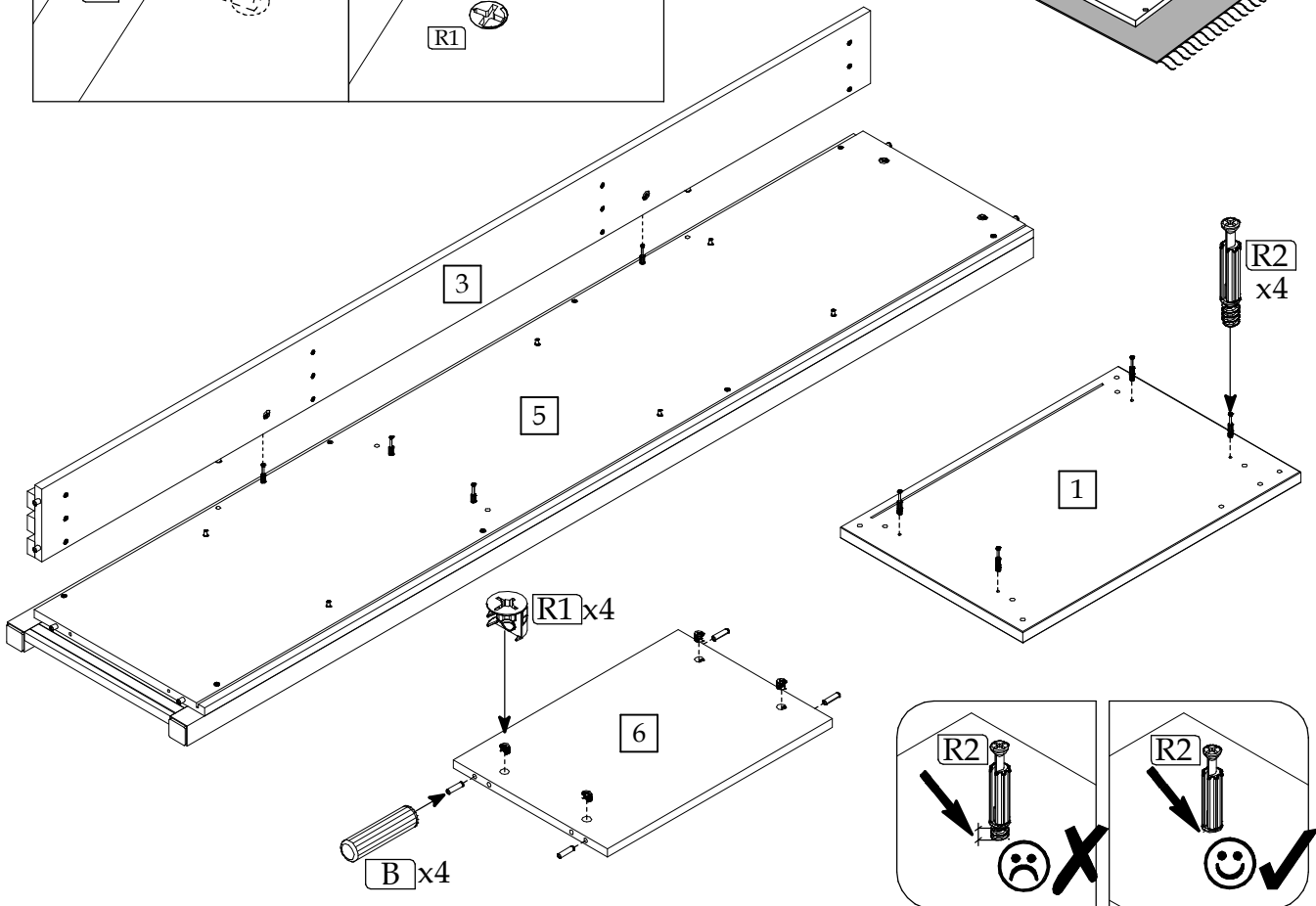
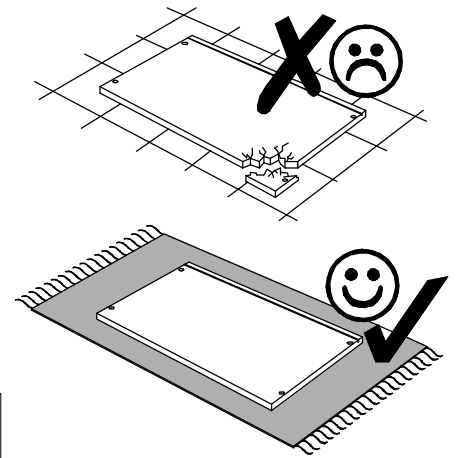
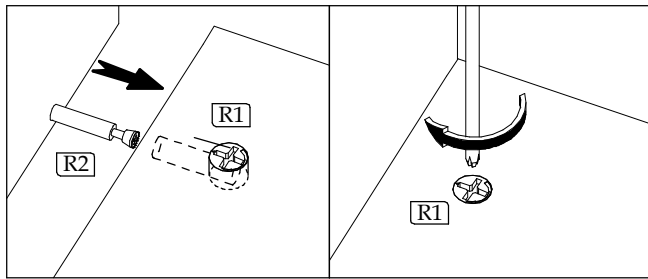
▶ 1



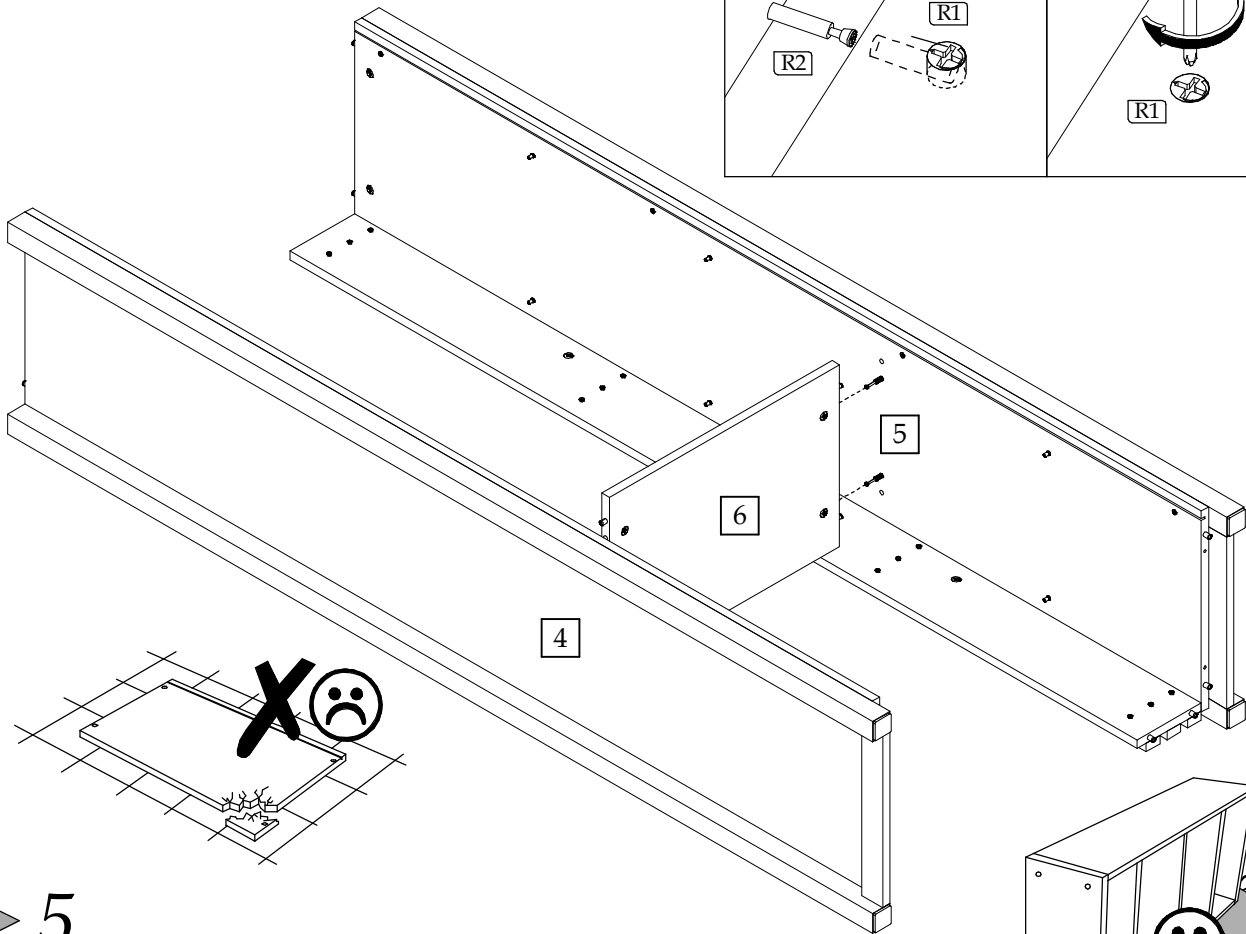
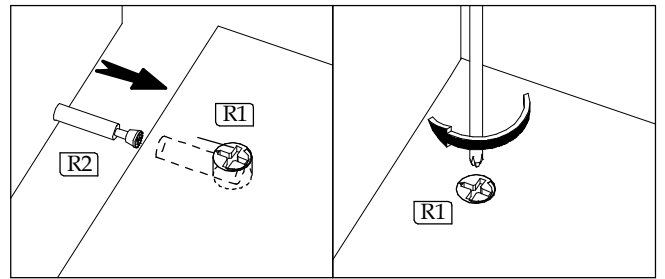
▶ 2



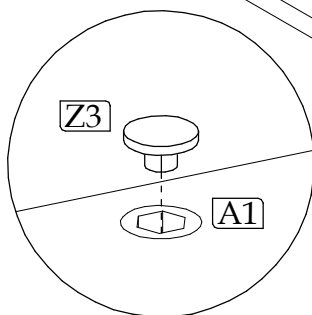
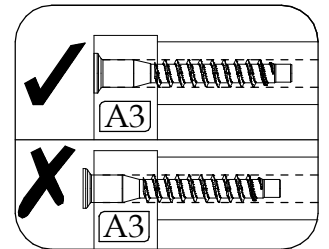
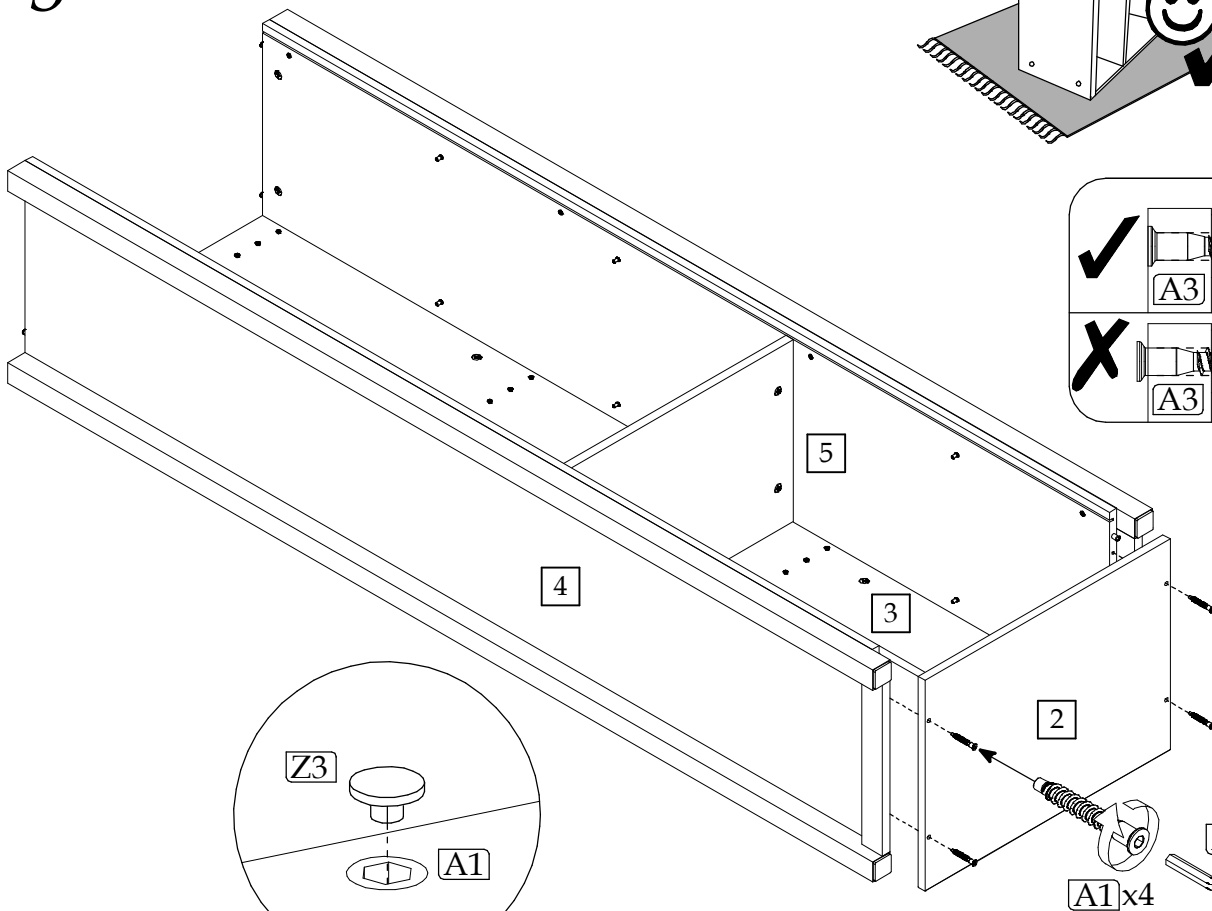
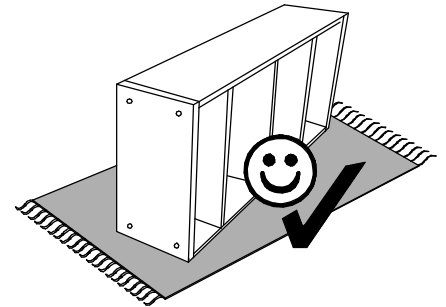
▶ 3



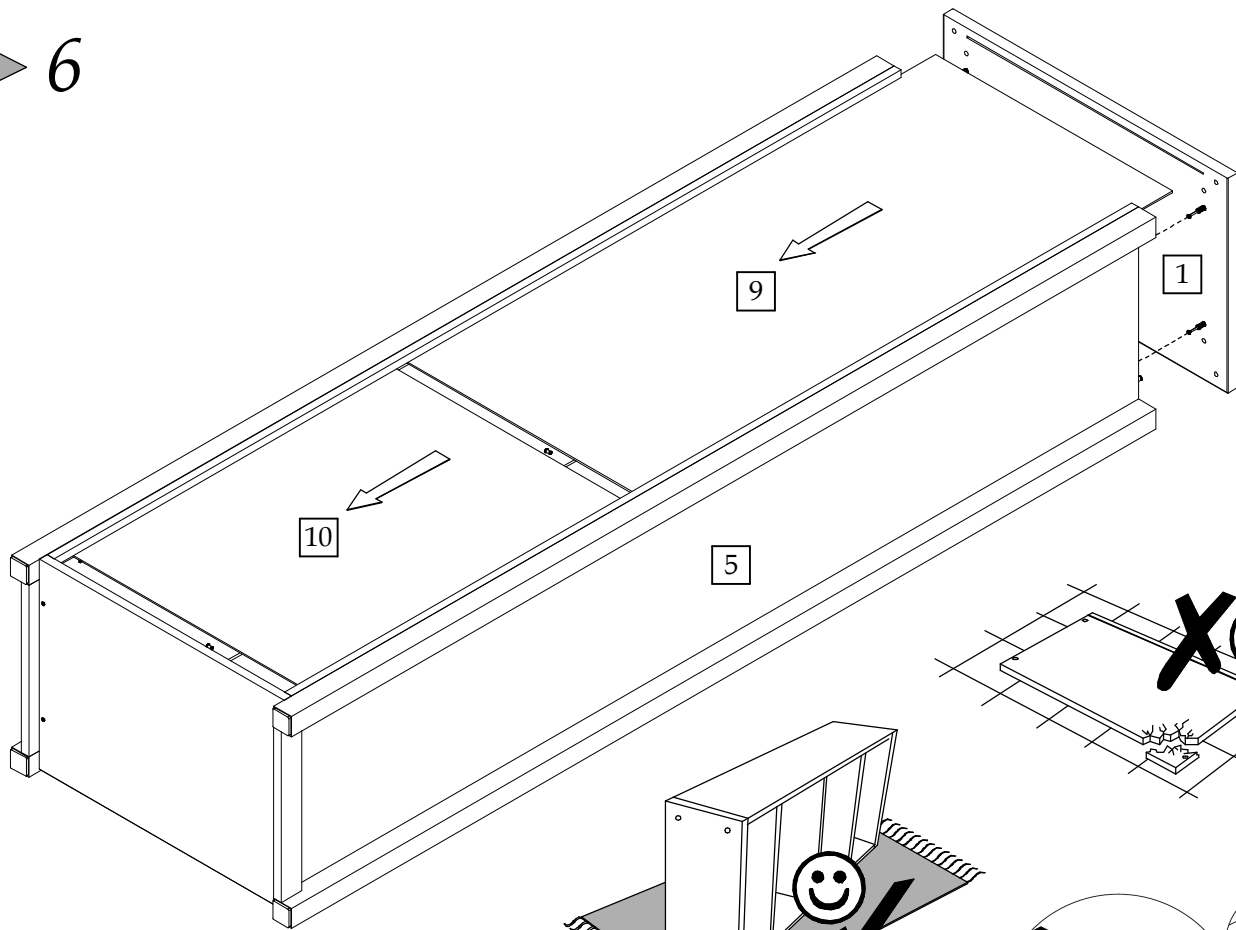
▶ 4



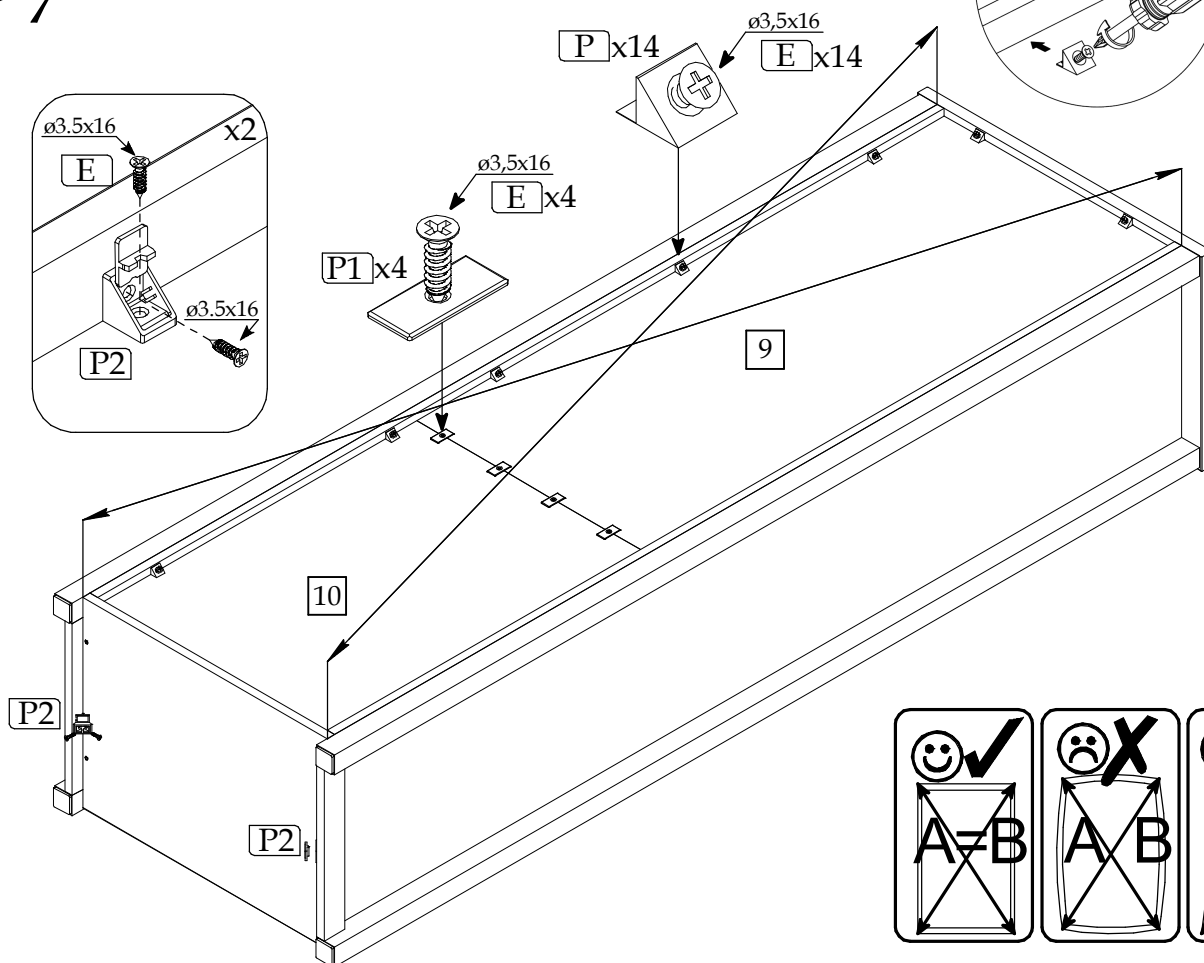
▶ 5

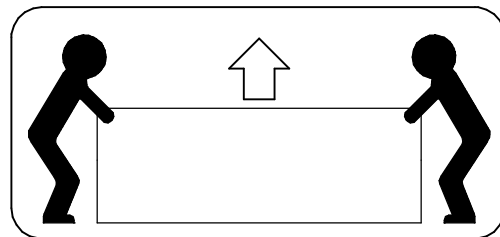
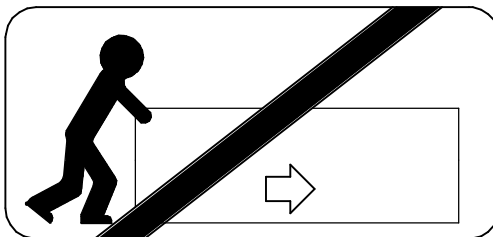
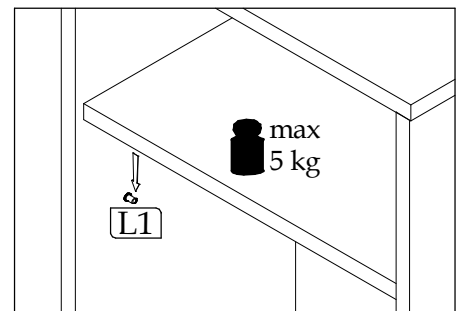
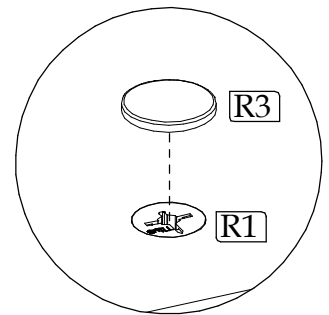
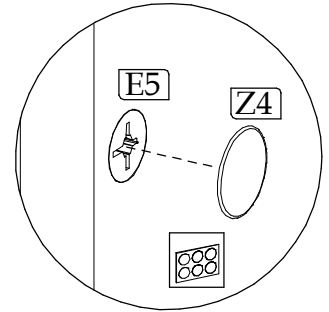
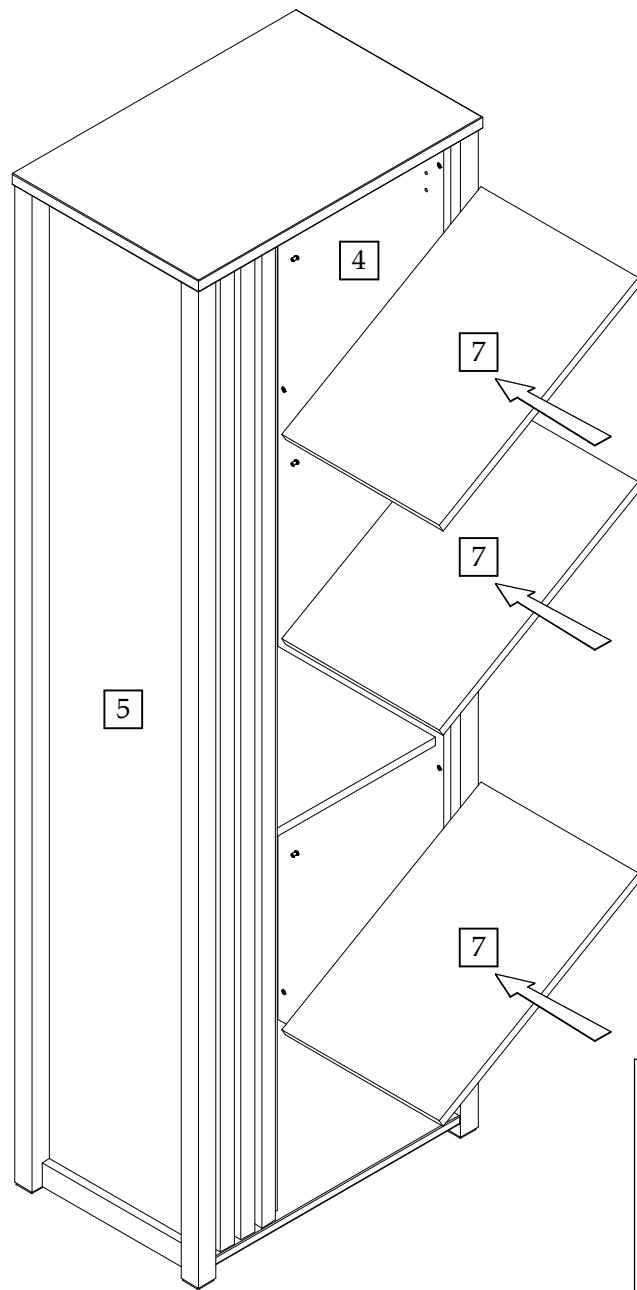


▶ 6



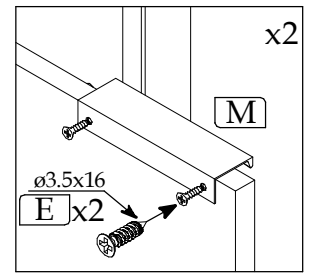
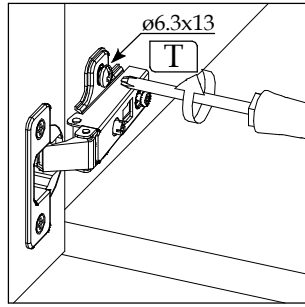
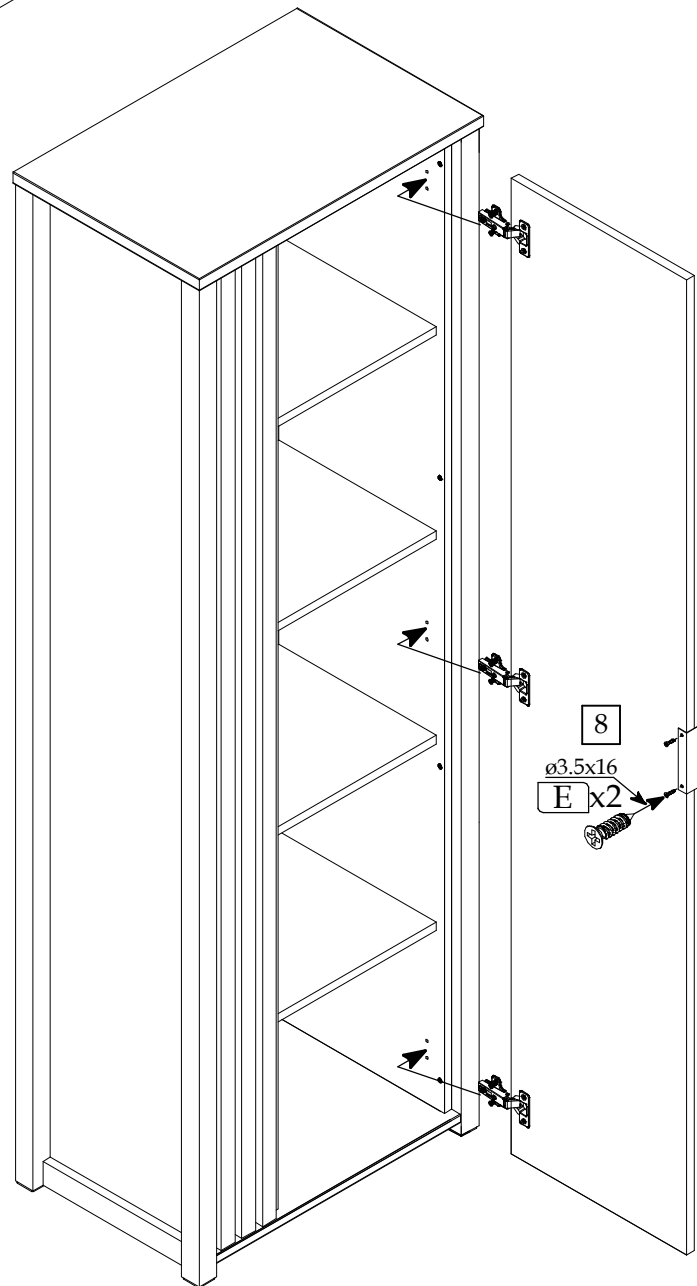
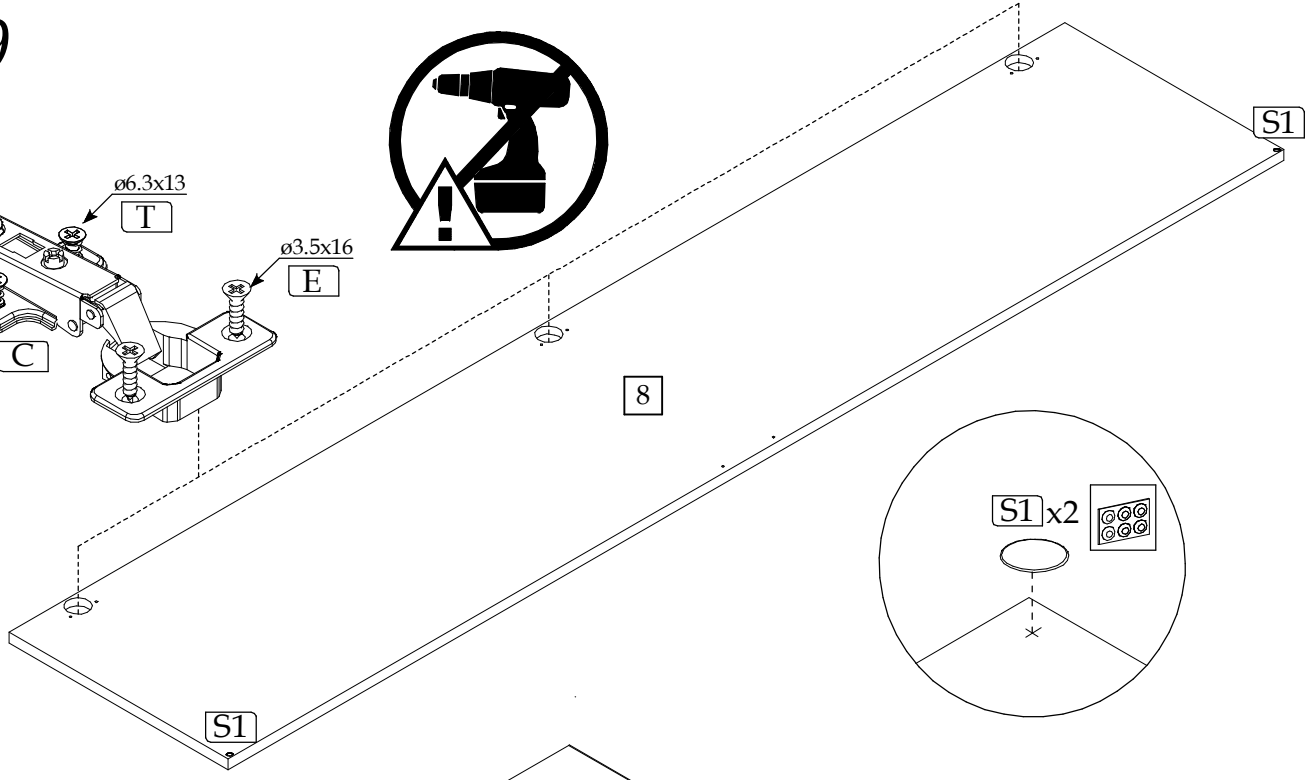
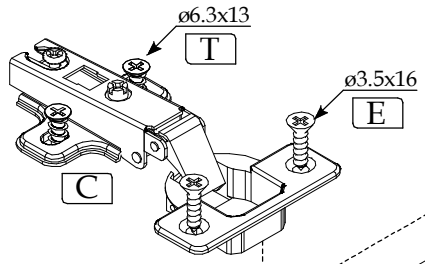
▶ 7







▶ 9



▶ 10

