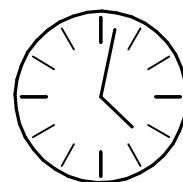
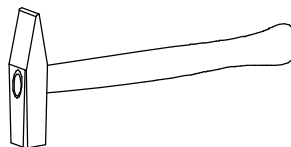
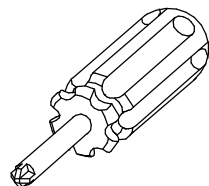
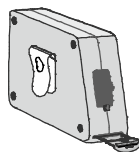
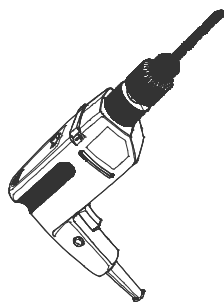
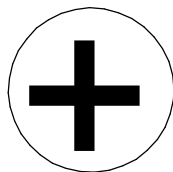
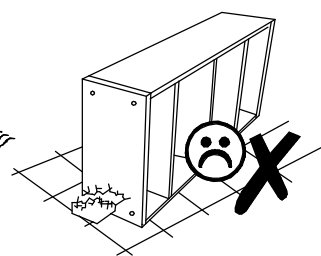
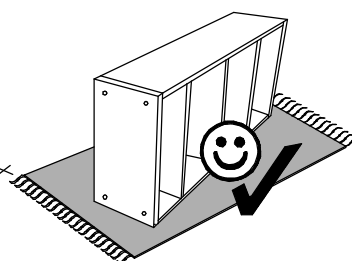
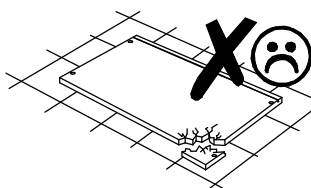
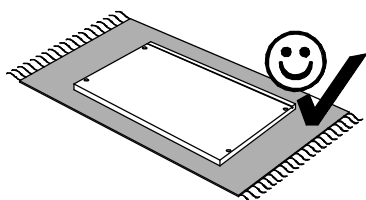
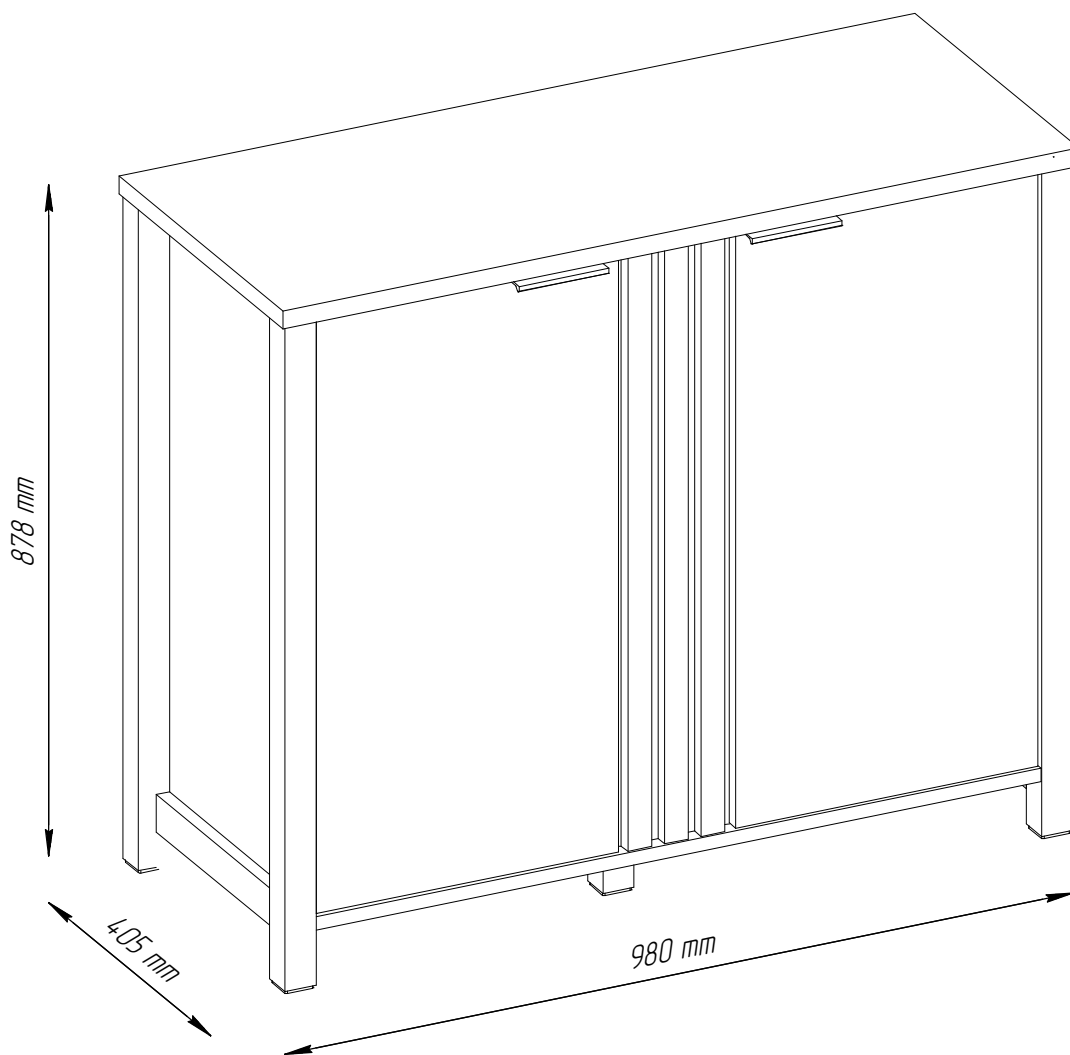
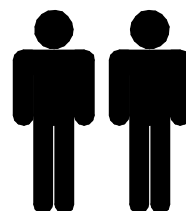
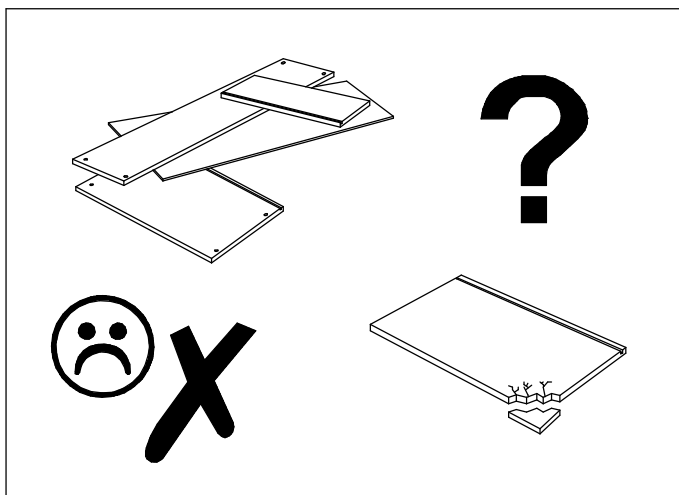
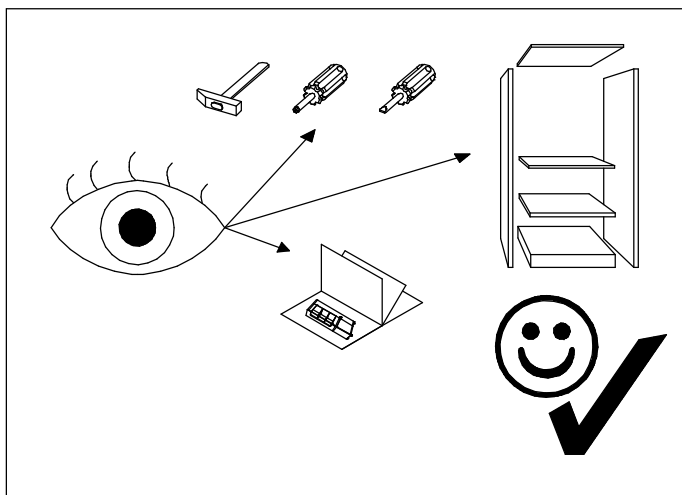
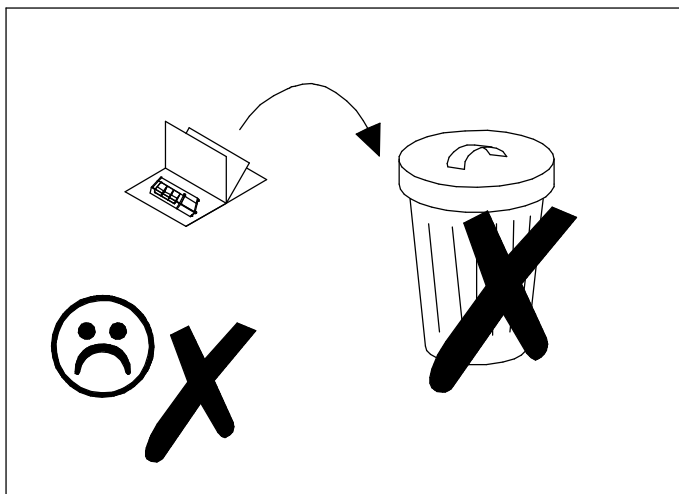
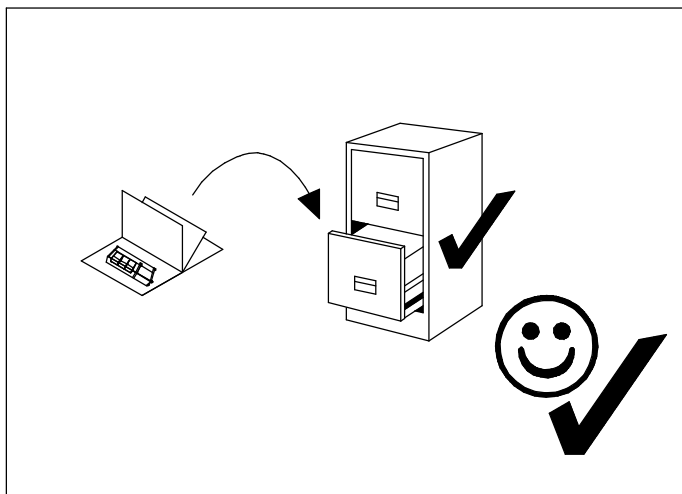
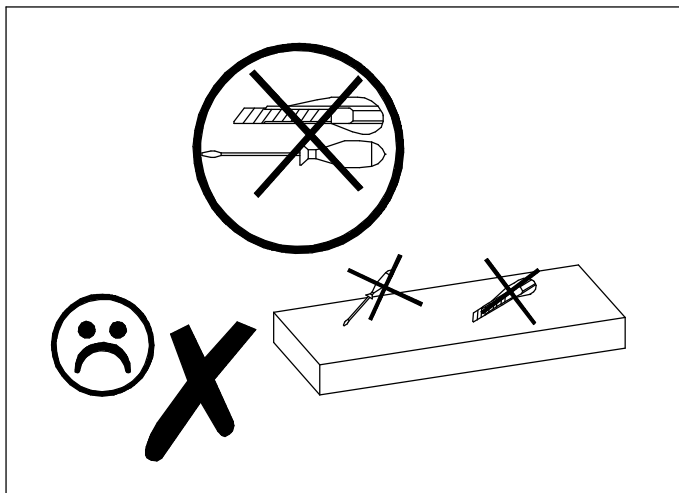
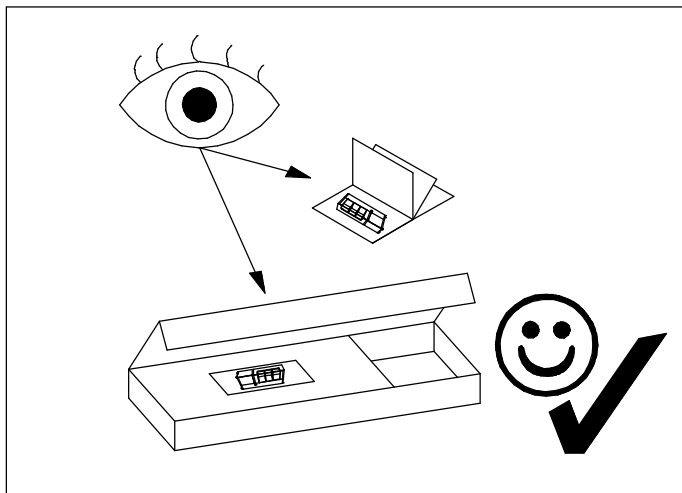


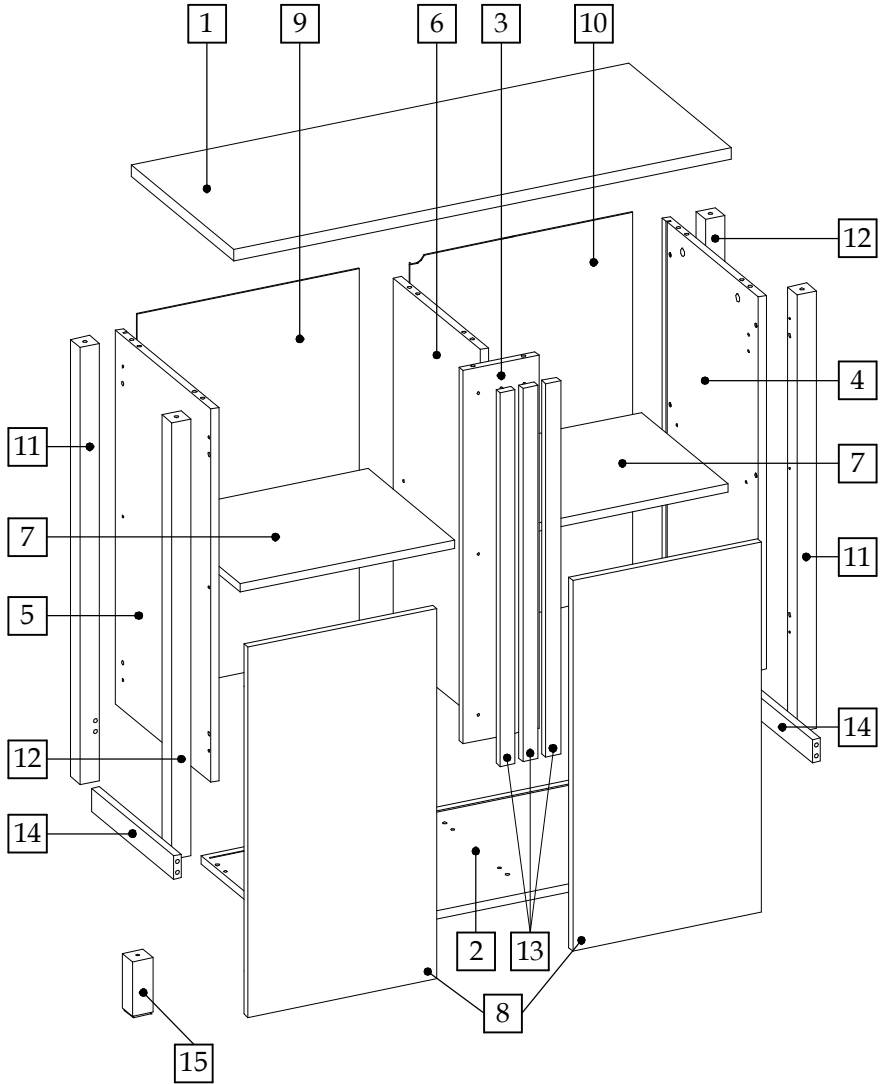
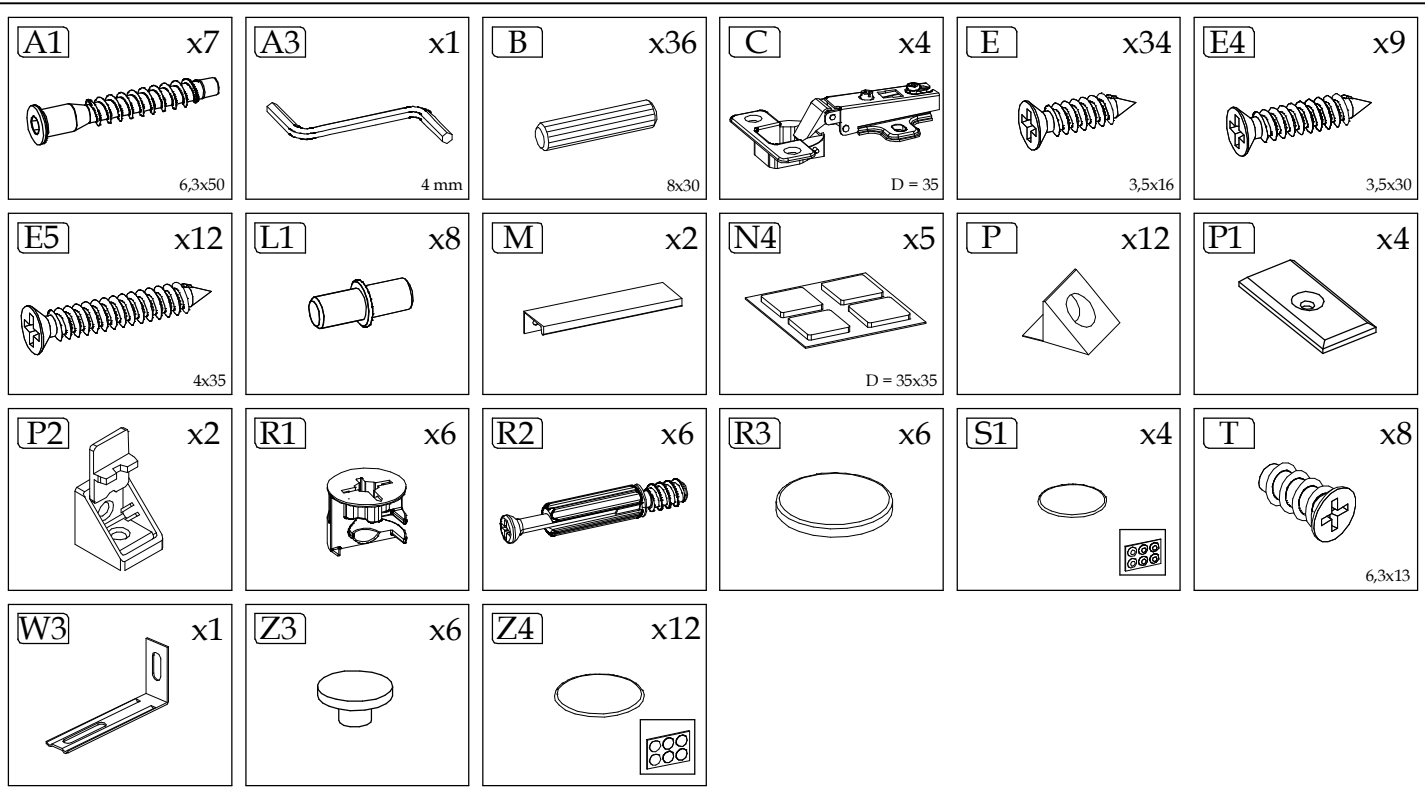
# HELIX EVOK G



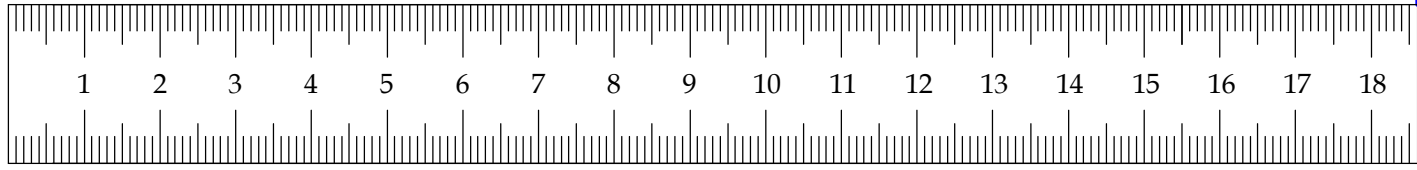
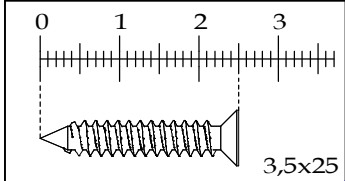
100 min

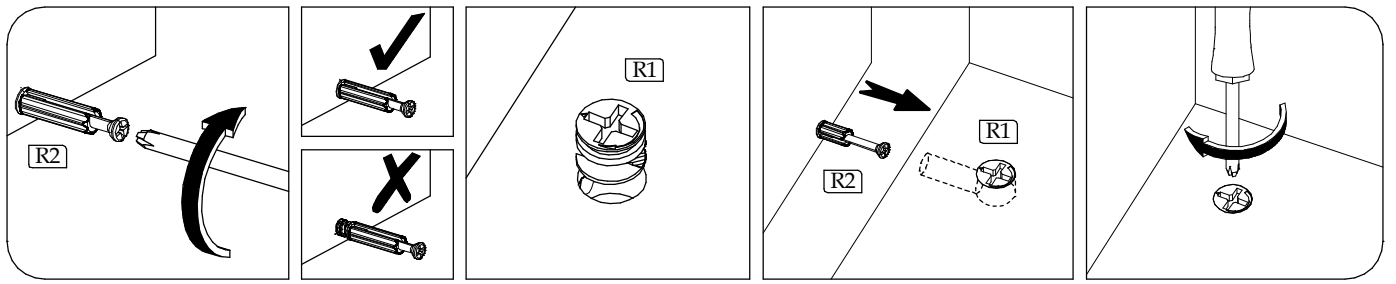




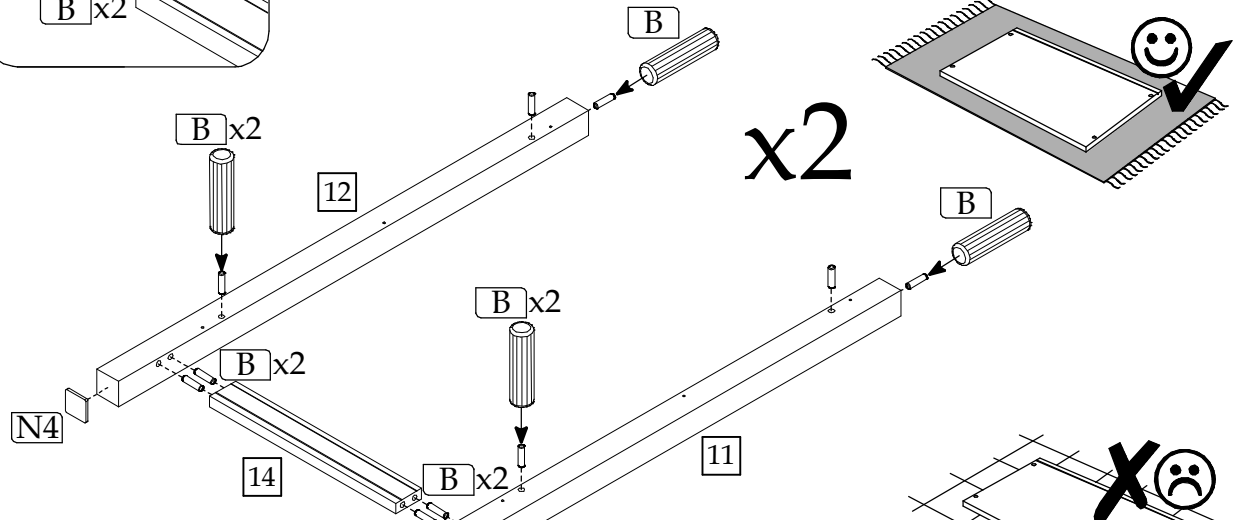
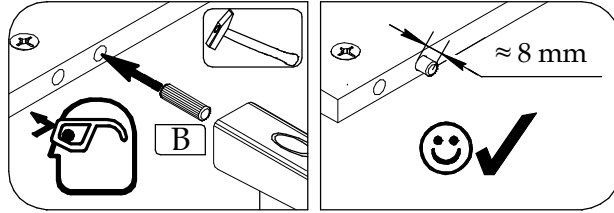
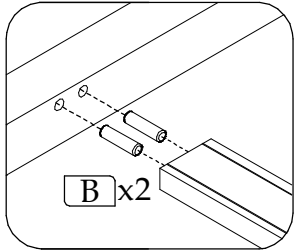


Element symbol	Measurements				Code	Pack
1	980	405	16	1	1001_EVOK	1/2
2	894	398	16	1	1013_EVOK	1/2
3	160	722	16	1	1009	2/2
4	722	378	16	1	1011	2/2
5	722	378	16	1	1012	2/2
6	722	344	16	1	1018	1/2
7	423	343	16	2	N/A	1/2
8	716	372	16	2	1005/1010	2/2
9	736	438	3	1	N/A	2/2
10	736	438	3	1	1052_v	2/2
11	858	38	38	2	EVOK_858x38_T1	2/2
12	858	38	38	2	EVOK_858x38_T2	2/2
13	722	30	16	3	P16_722x30x16	2/2
14	324	45	16	2	P16_324x45x16	1/2
15	120	38	38	1	EVOK_120x38x38	1/2

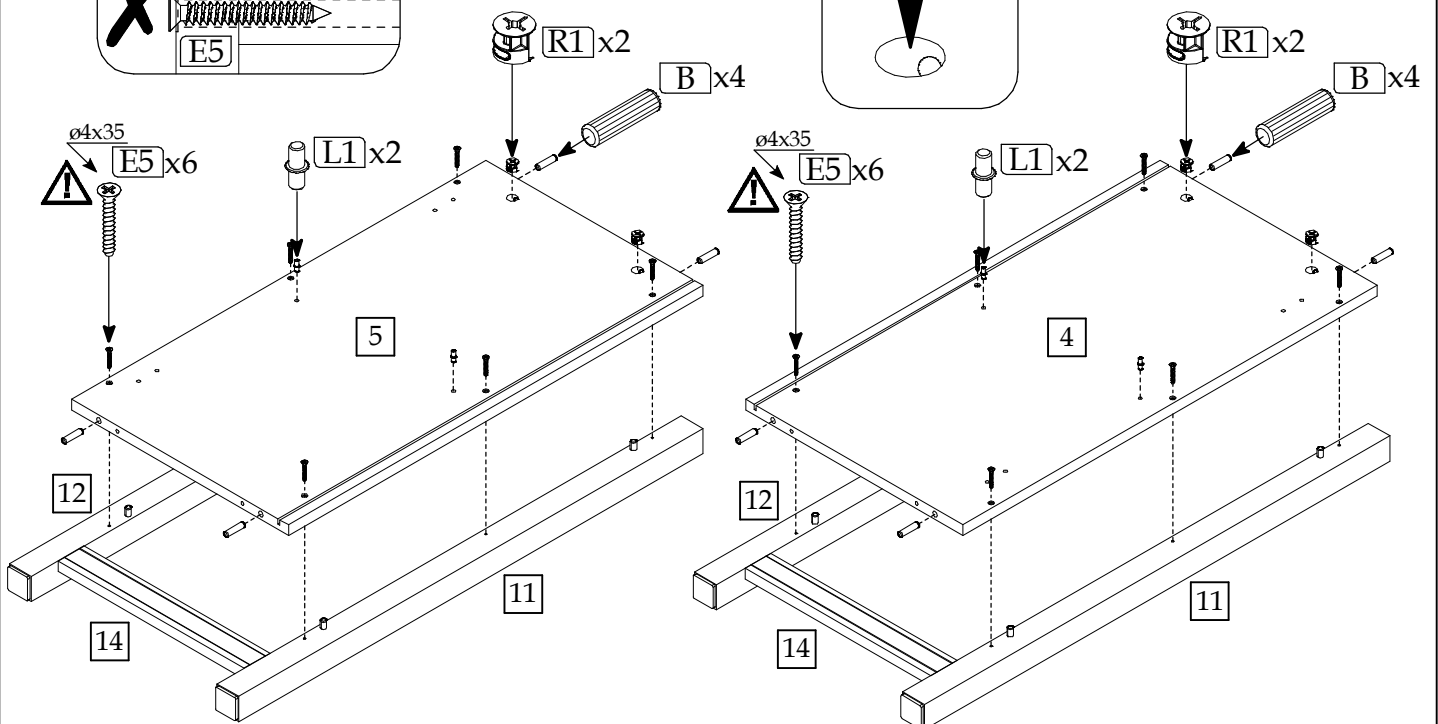
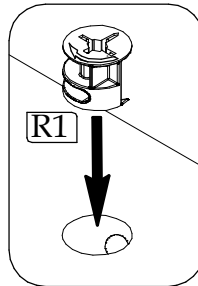
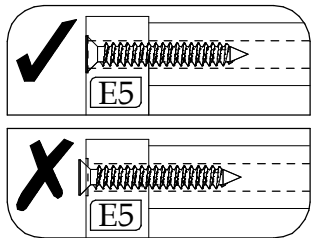




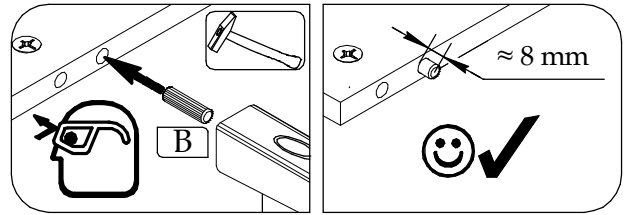
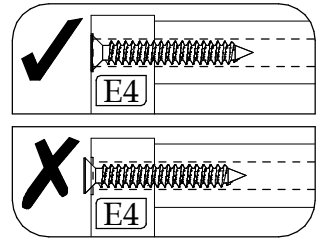
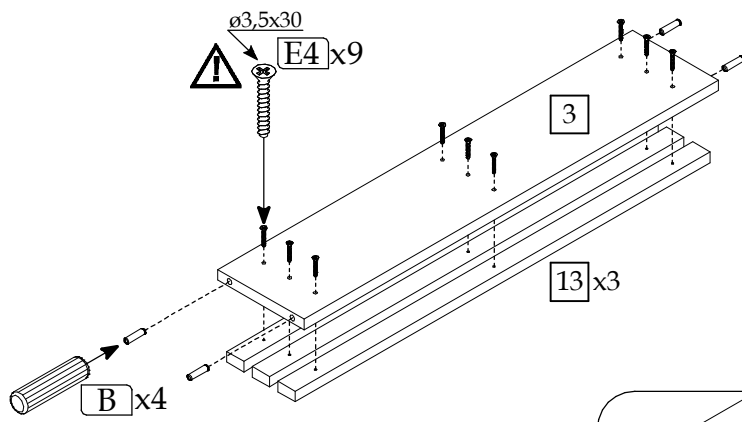
▶ 1



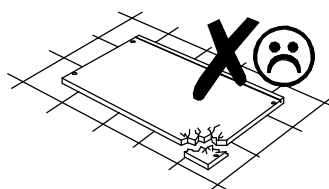
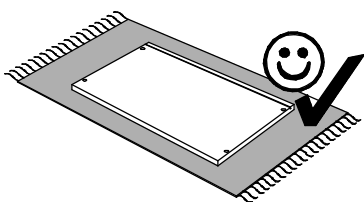
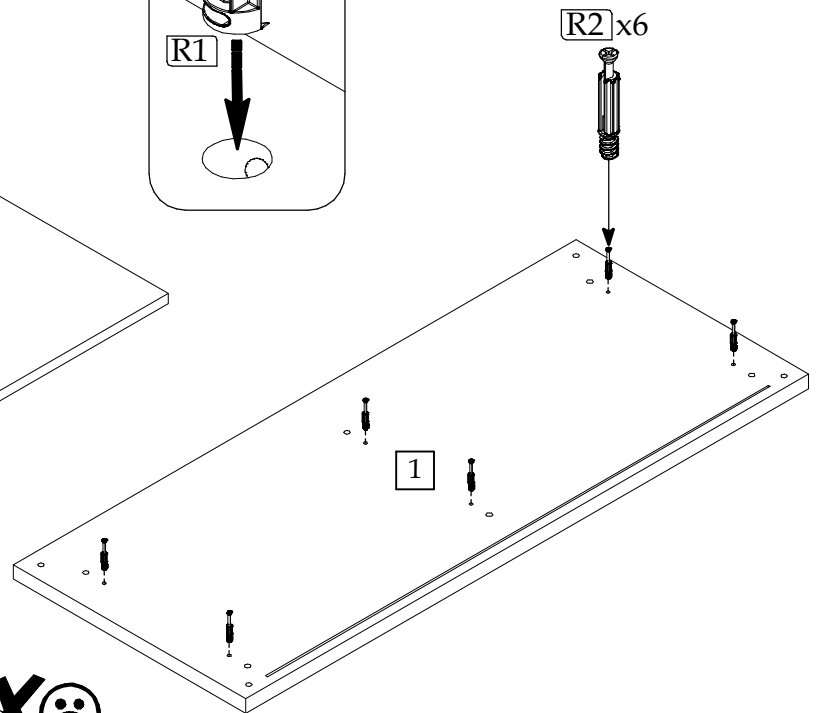
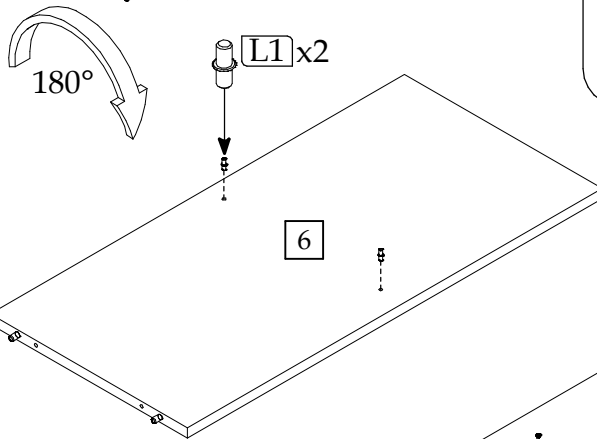
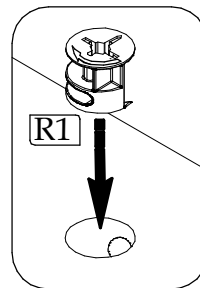
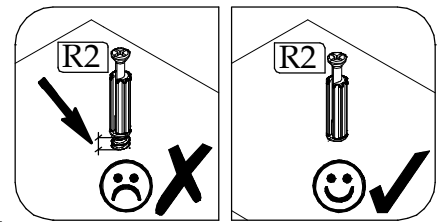
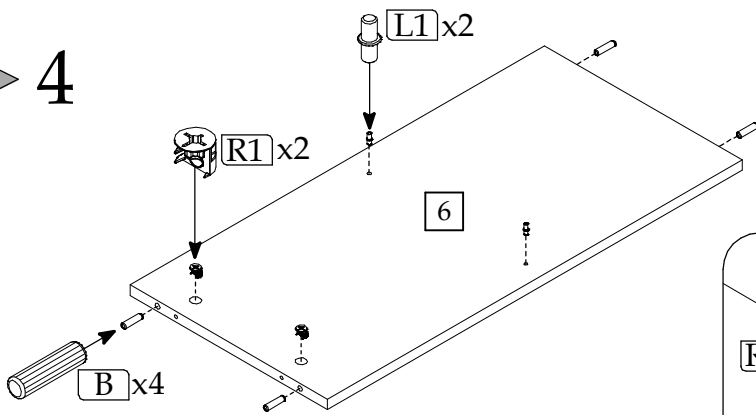
▶ 2



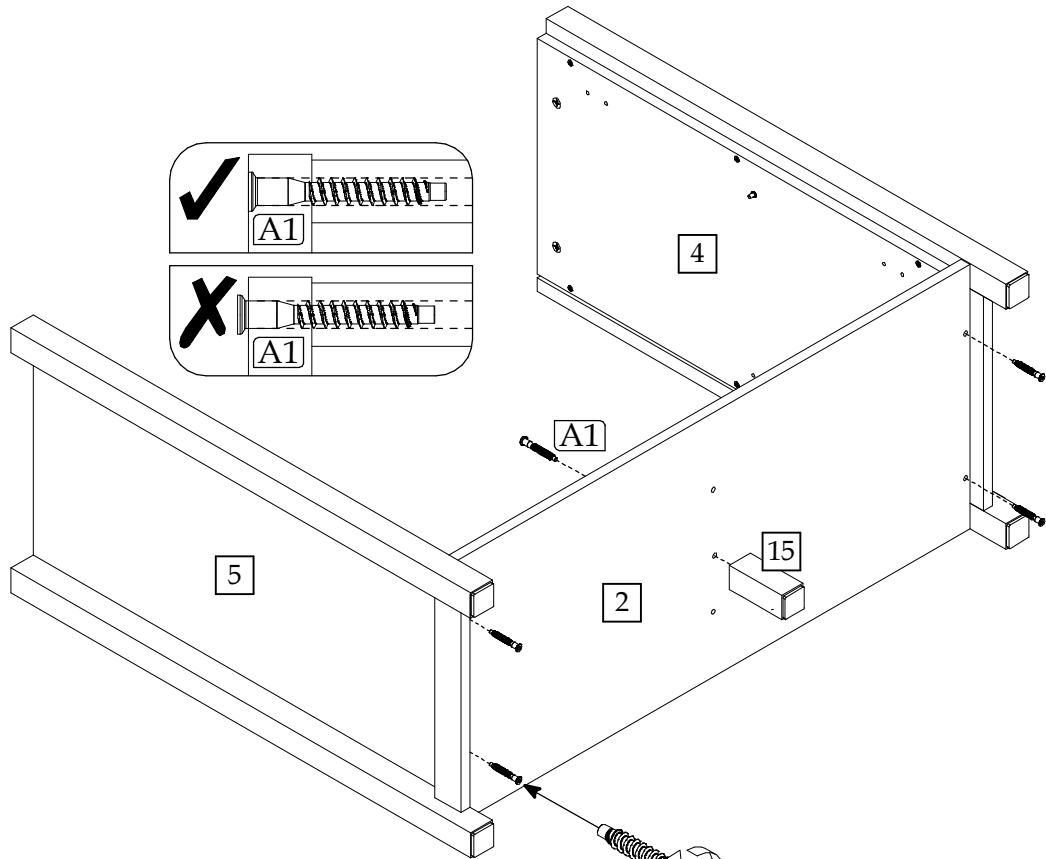
▶ 3



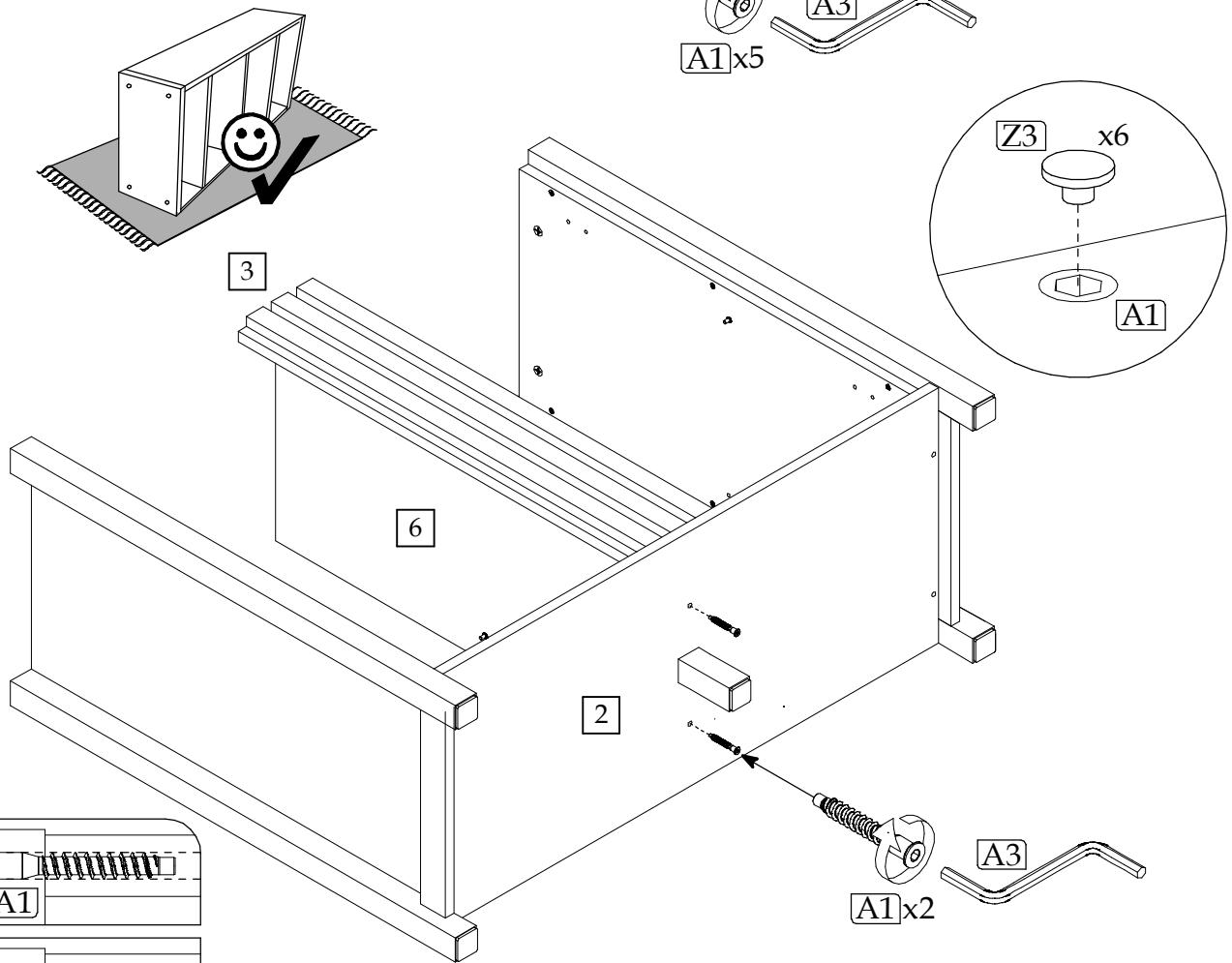
▶ 4



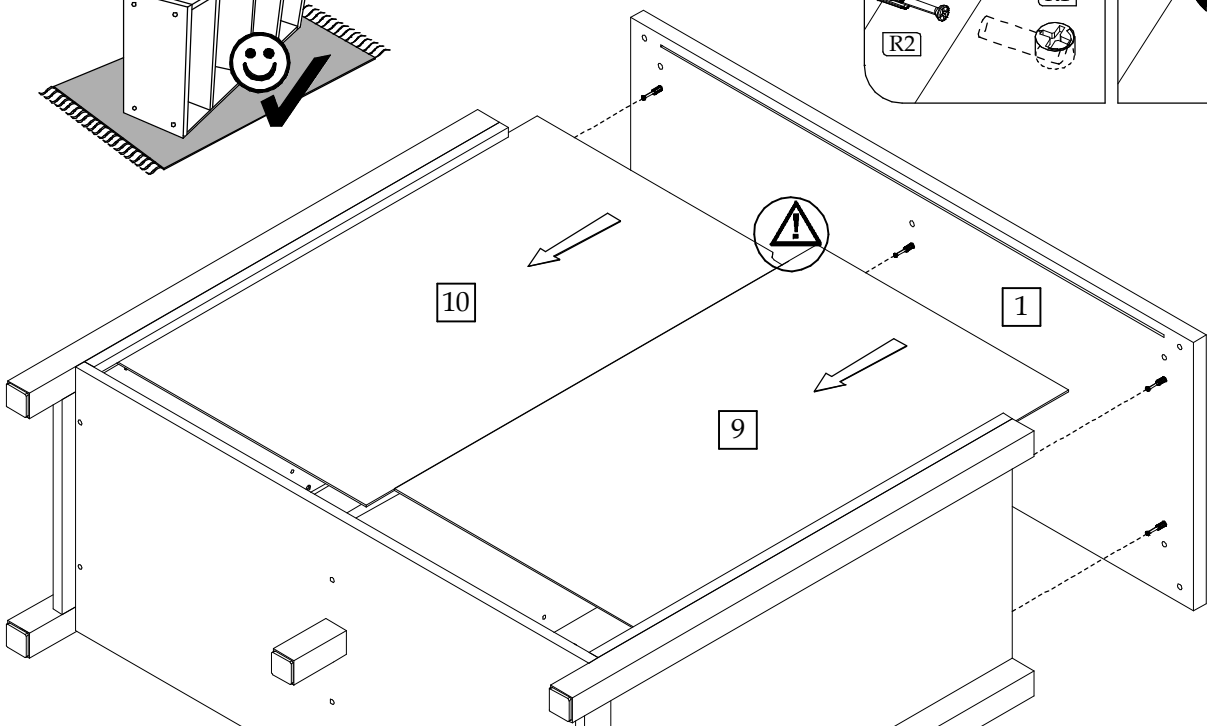
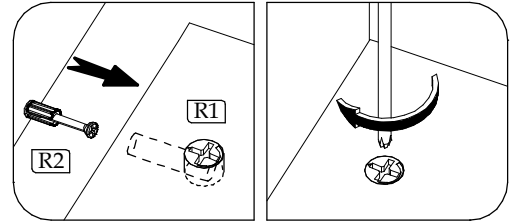
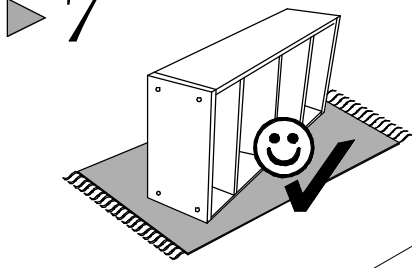
▶ 5



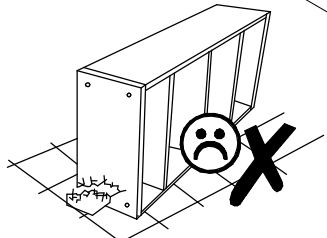
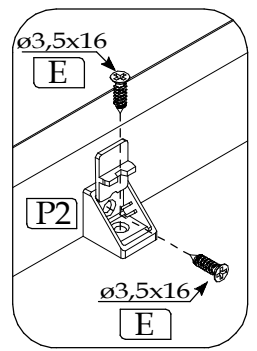
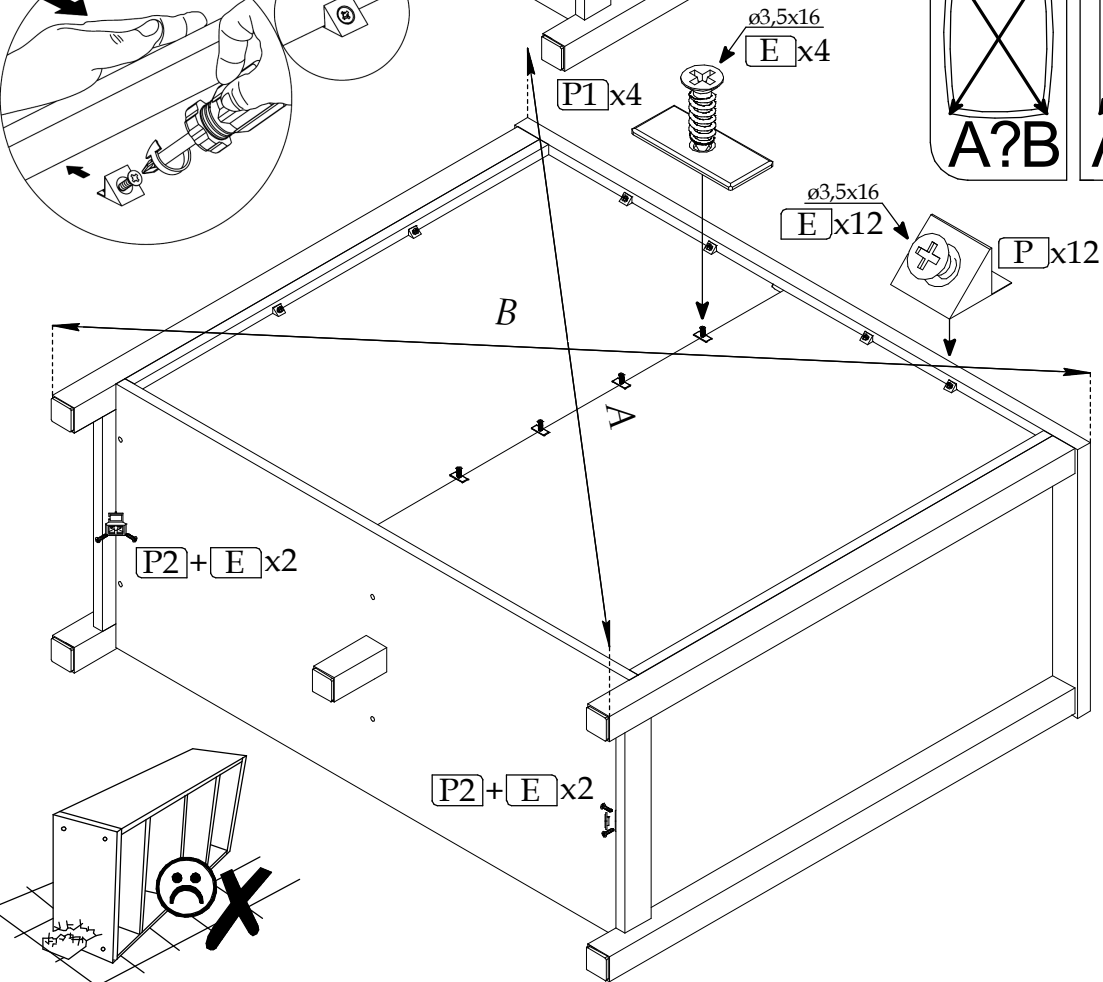
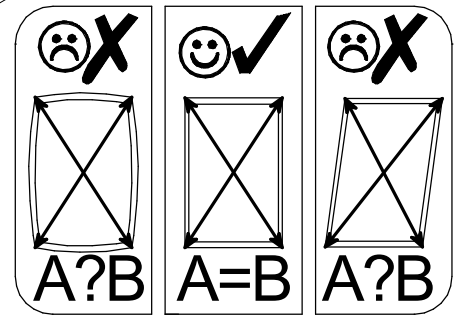
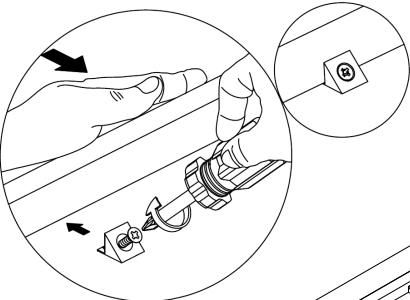
▶ 6



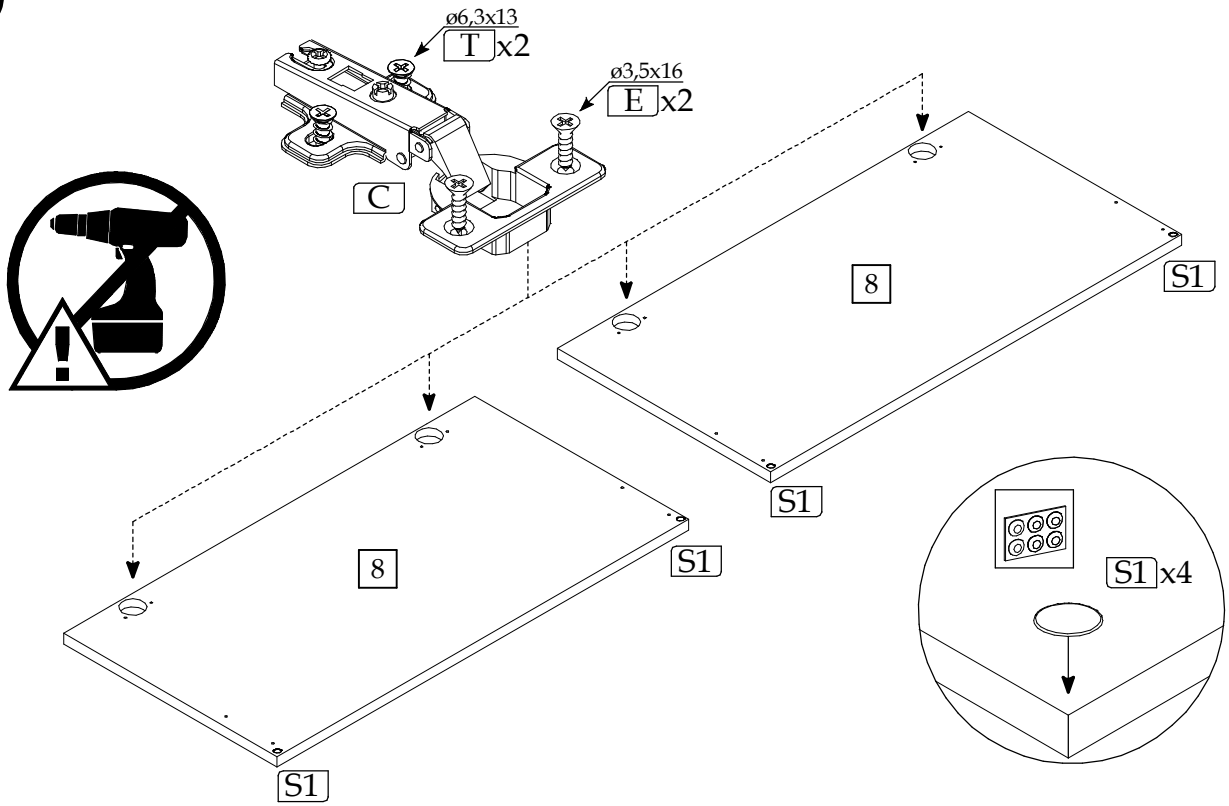
7



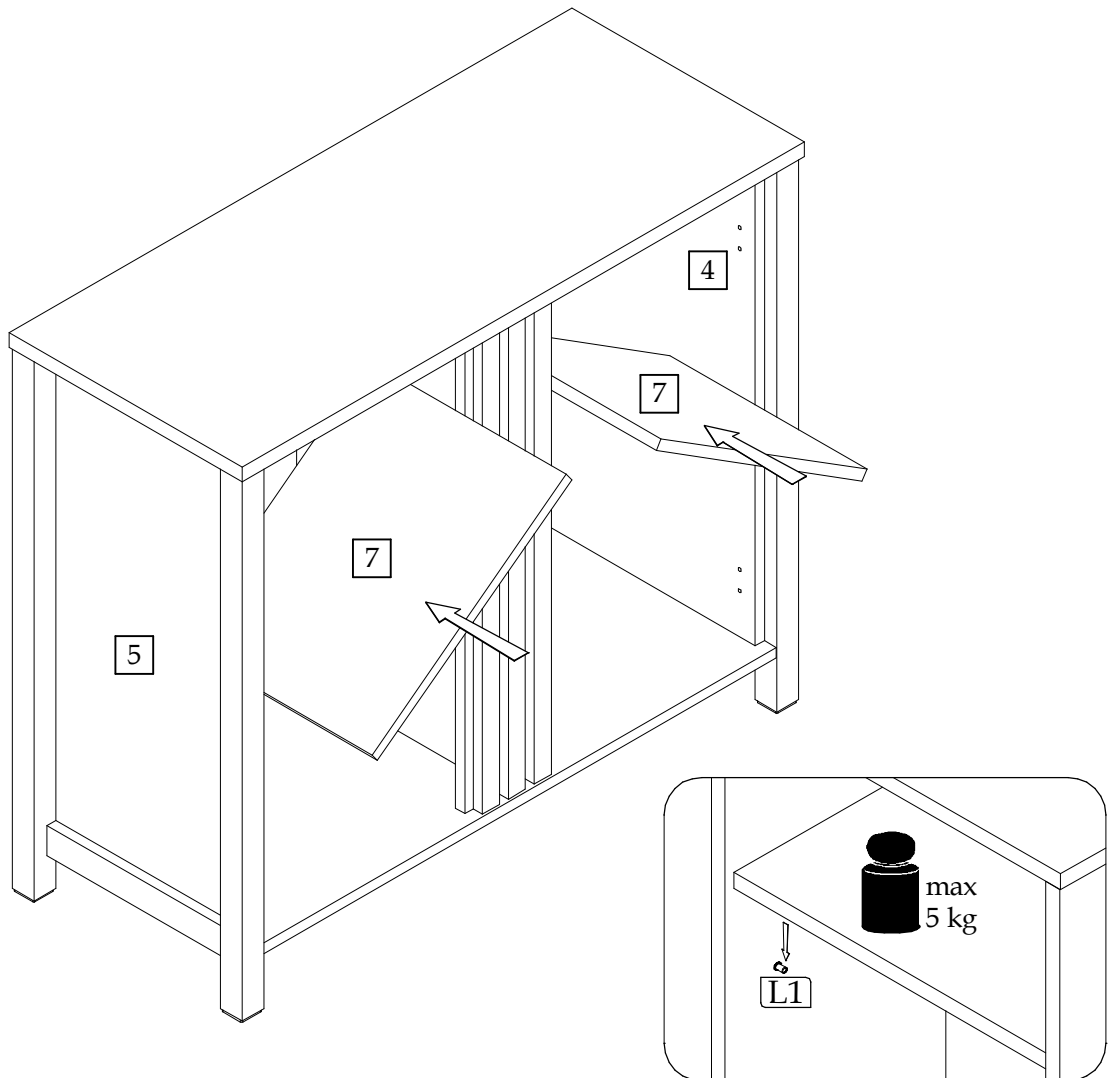
8



▶ 9

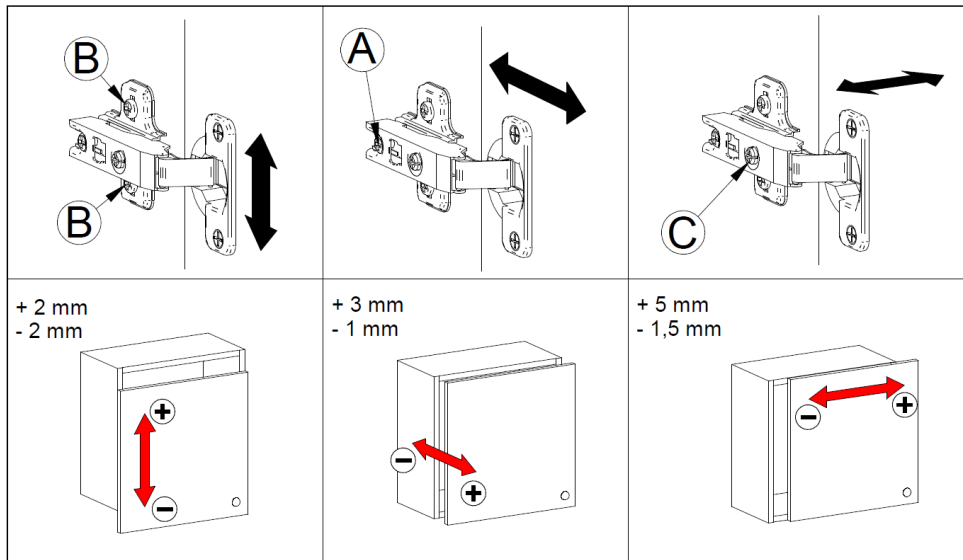
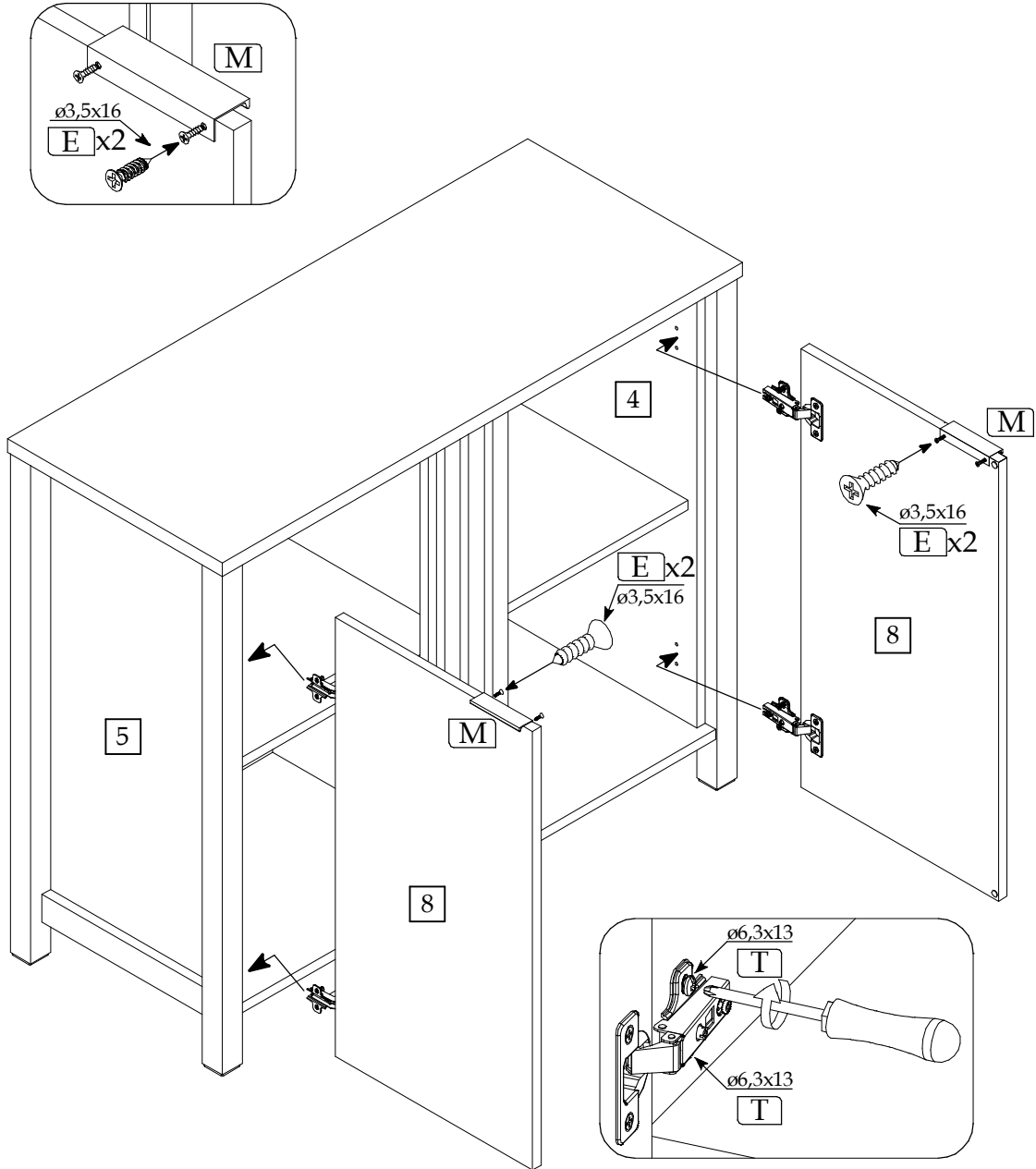


▶ 10





► 11



# ▶ 12

