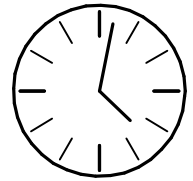
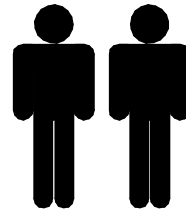
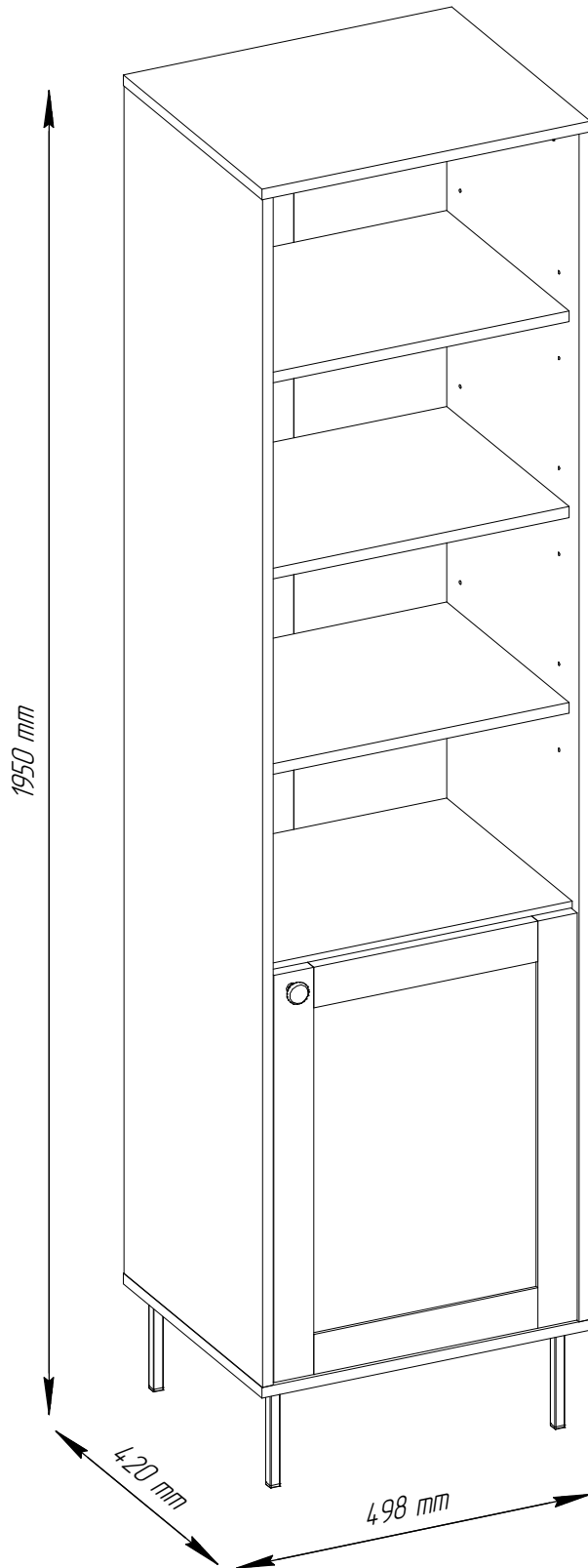
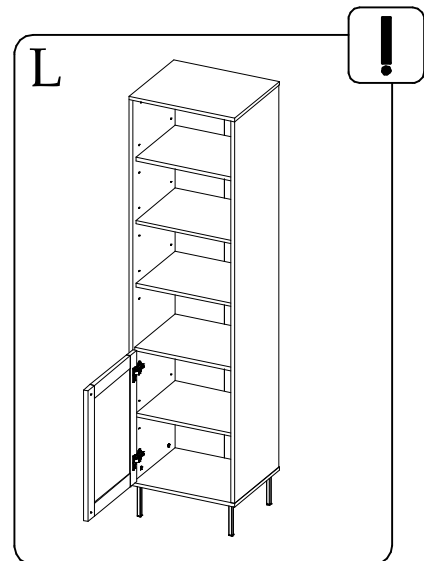
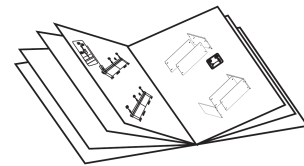
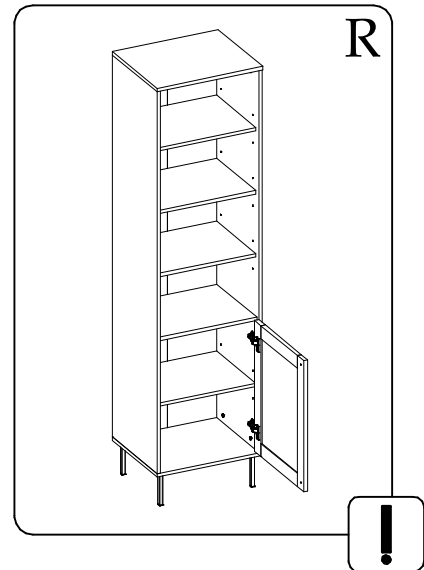


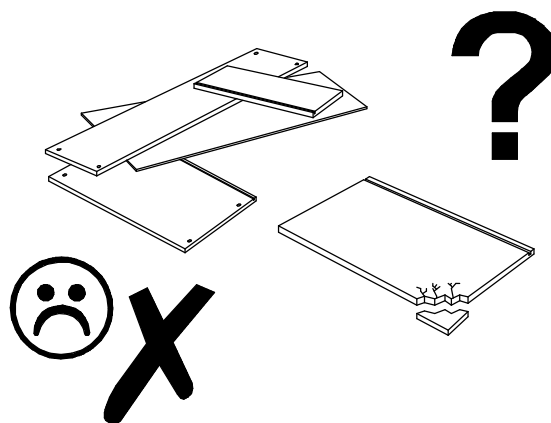
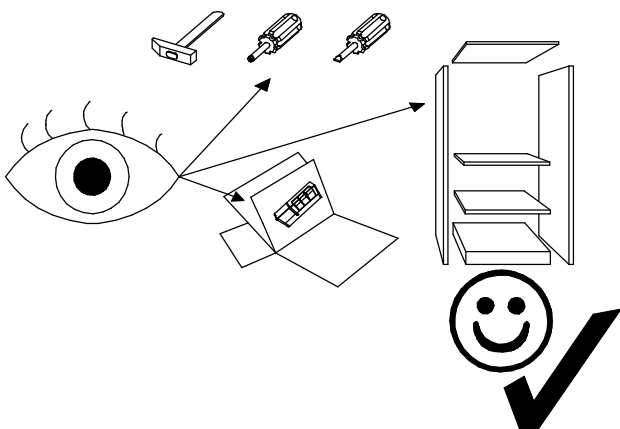
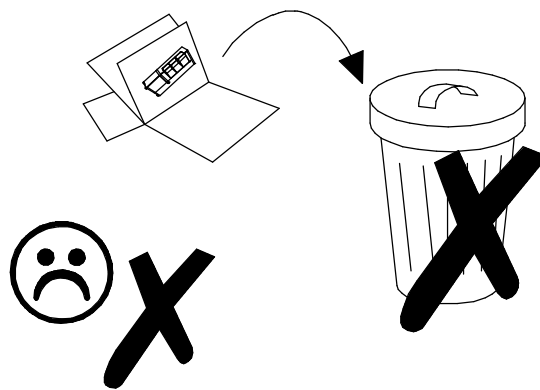
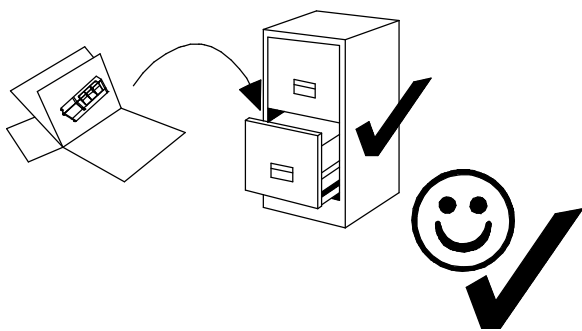
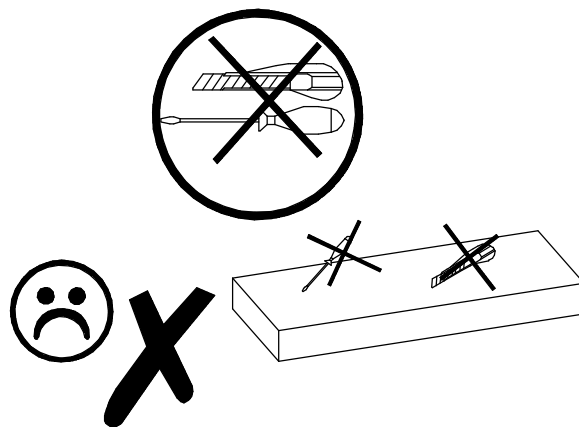
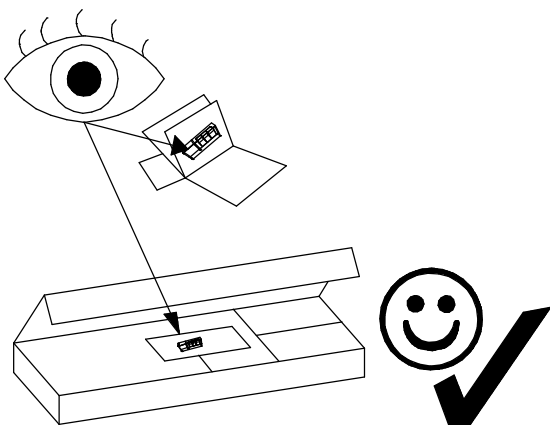
HENRY

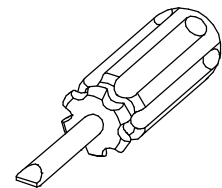
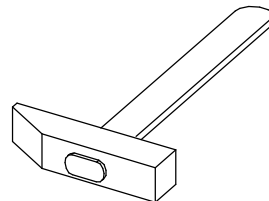
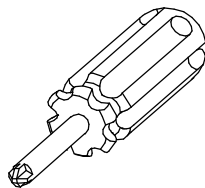
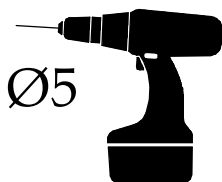
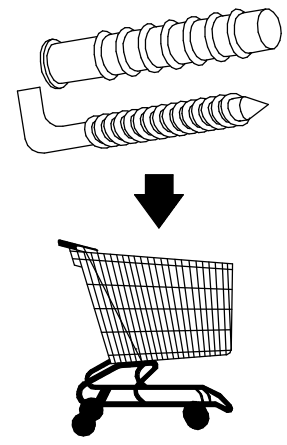
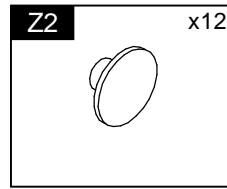
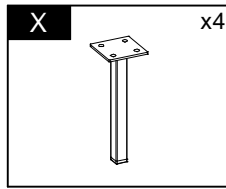
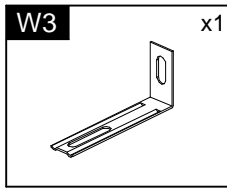
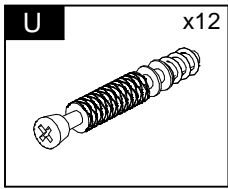
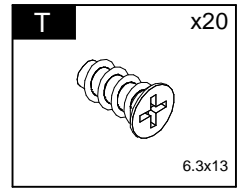
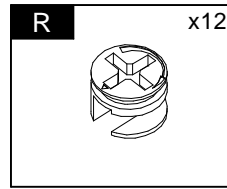
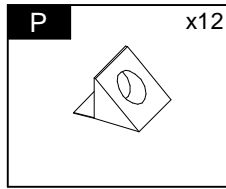
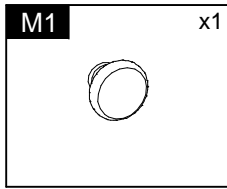
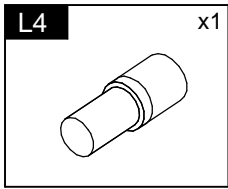
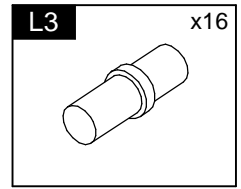
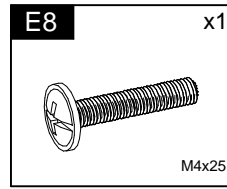
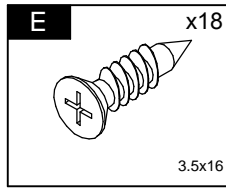
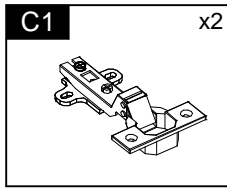
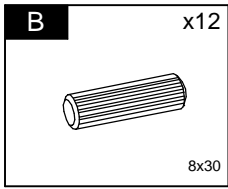
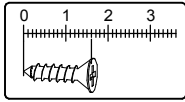
Typ R

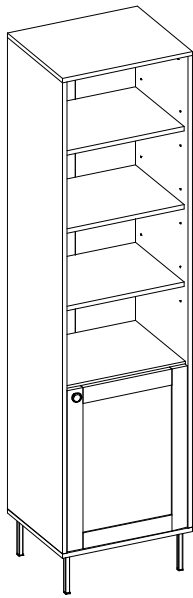


60 min

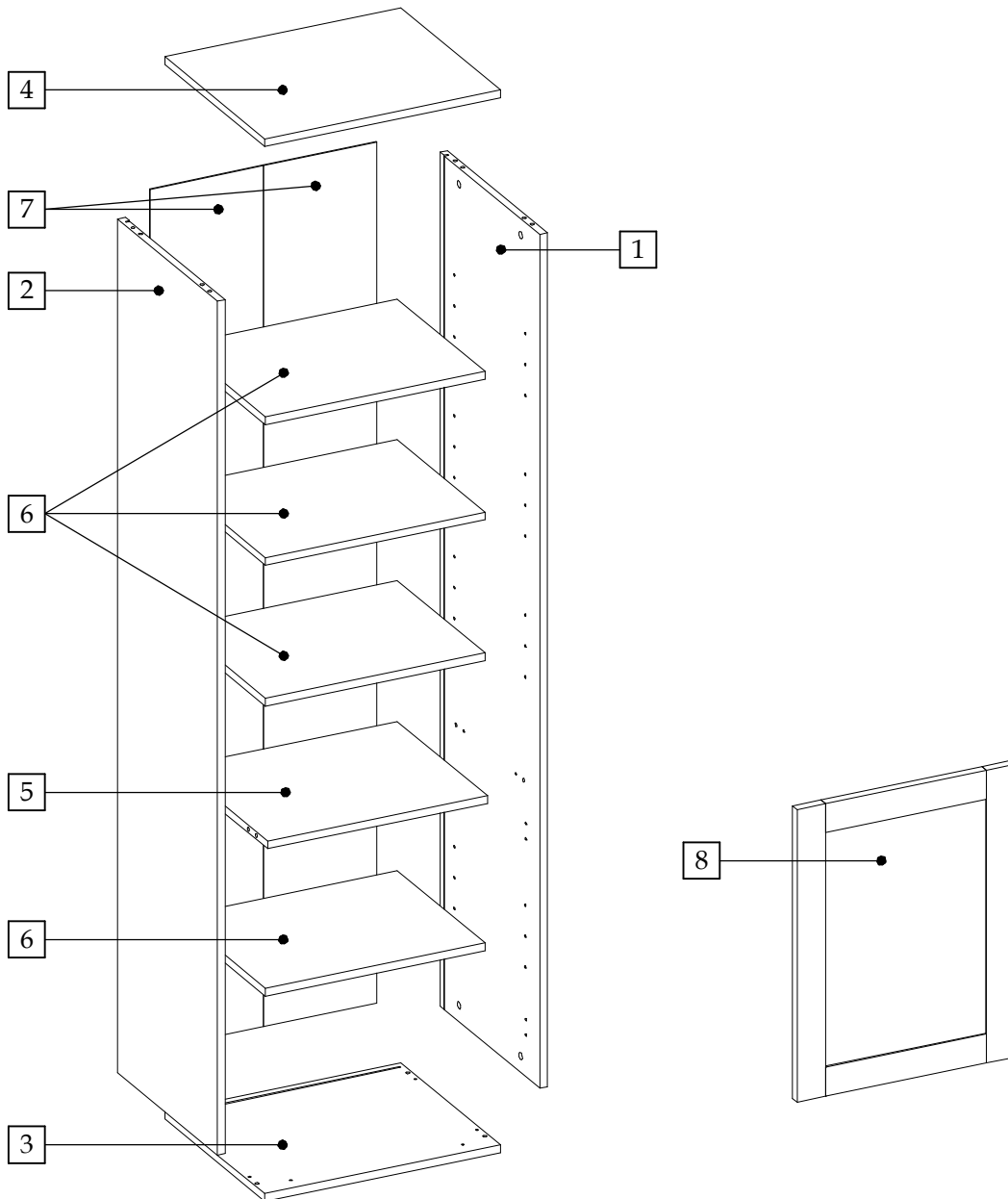


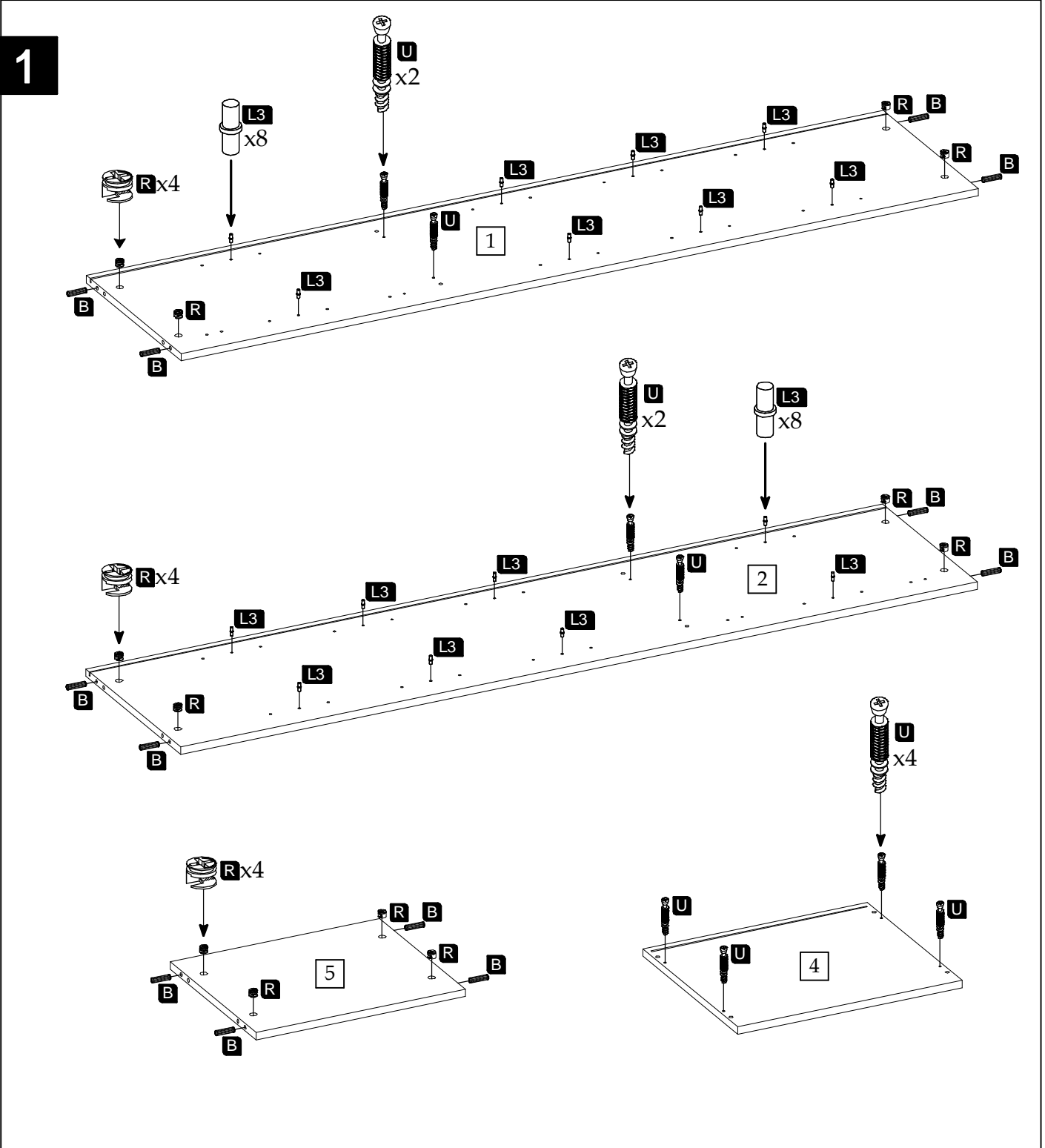




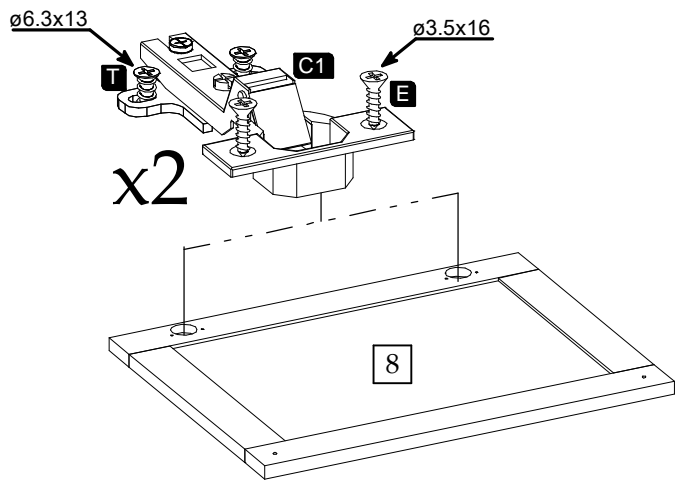
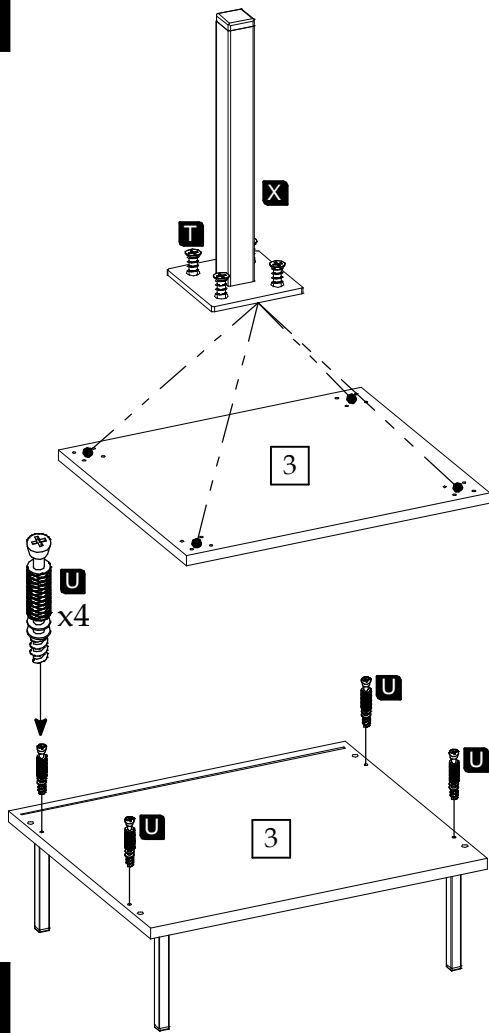


| Element symbol | Measurements | | | | Code | Paket |
|----------------|--------------|-------|----|---|------|-------|
| | | | | | | |
| 1 | 1768 | 419.5 | 16 | 1 | 1002 | 1/2 |
| 2 | 1768 | 419.5 | 16 | 1 | 1003 | 1/2 |
| 3 | 498 | 420 | 16 | 1 | 1004 | 1/2 |
| 4 | 498 | 420 | 16 | 1 | 1005 | 1/2 |
| 5 | 464 | 379 | 16 | 1 | 1007 | 1/2 |
| 6 | 463 | 370 | 16 | 4 | N/A | 1/2 |
| 7 | 1782 | 239 | 3 | 2 | N/A | 1/2 |
| 8 | 606 | 460 | 19 | 1 | 3001 | 2/2 |

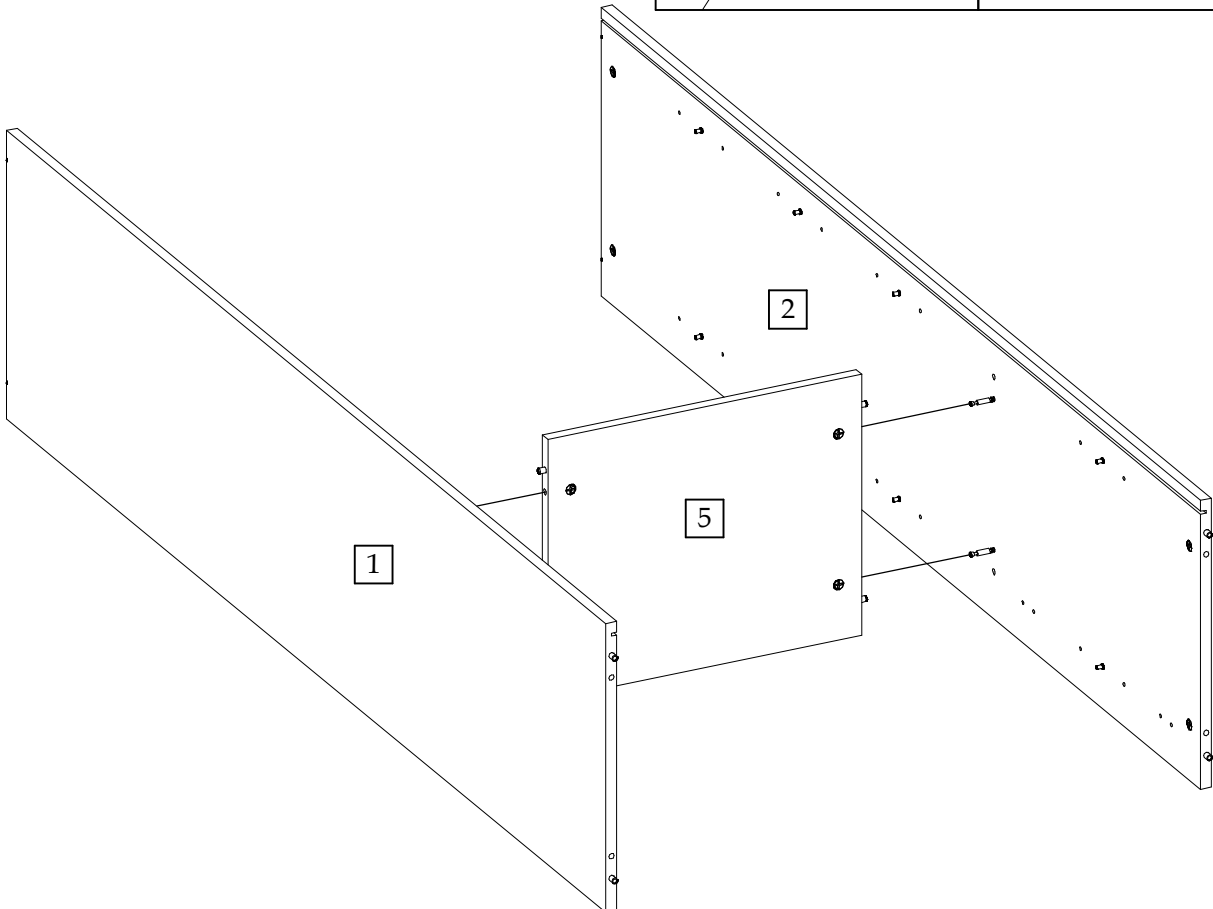
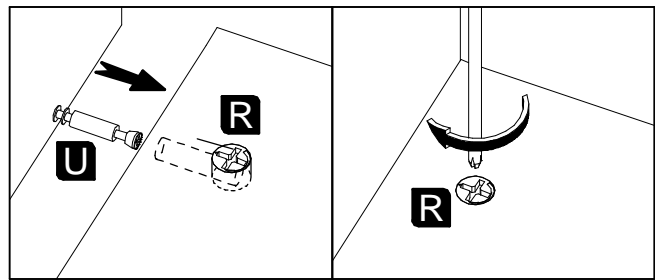




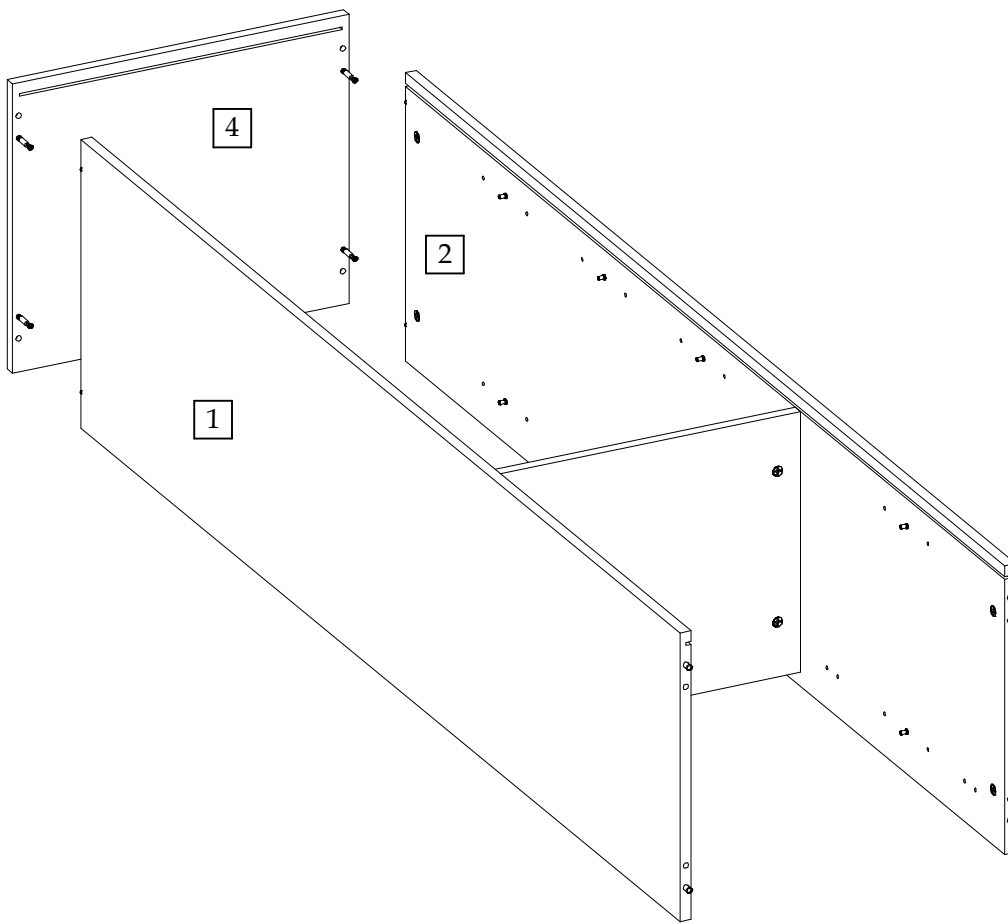
2



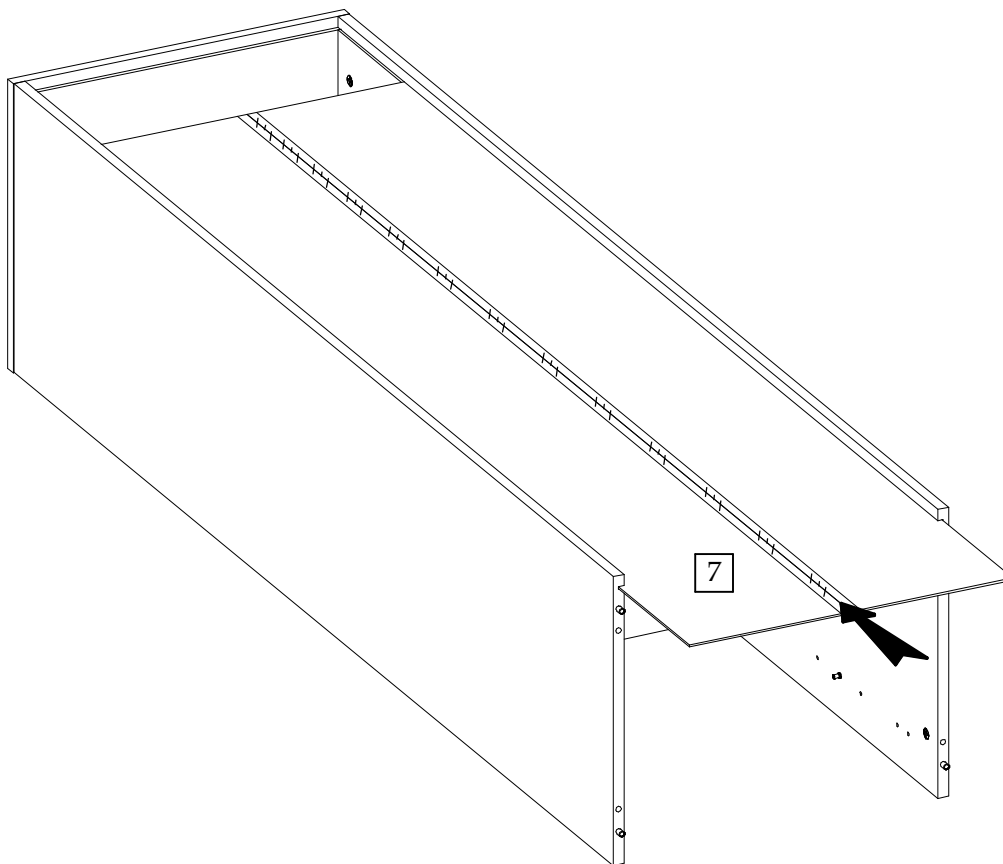
3



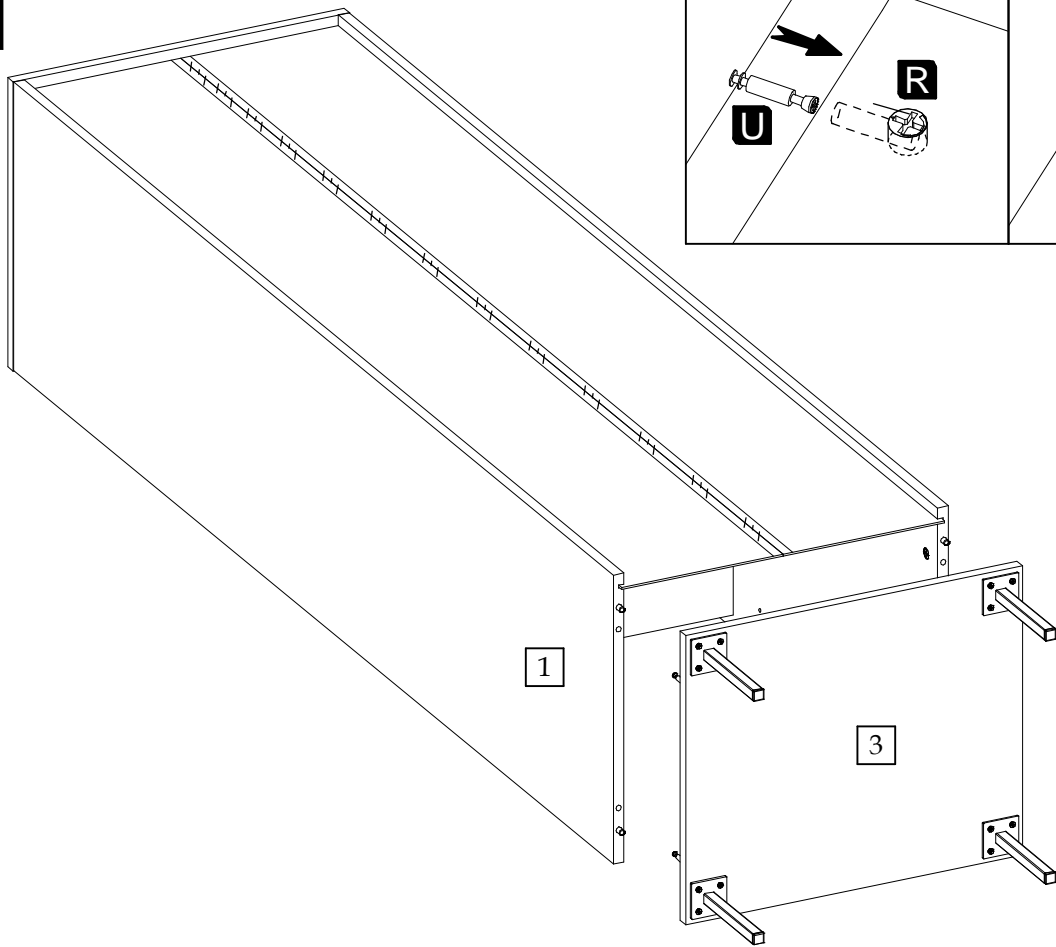
4



5



6



7

