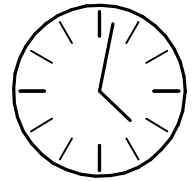
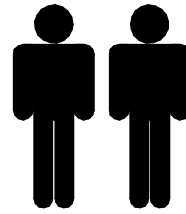
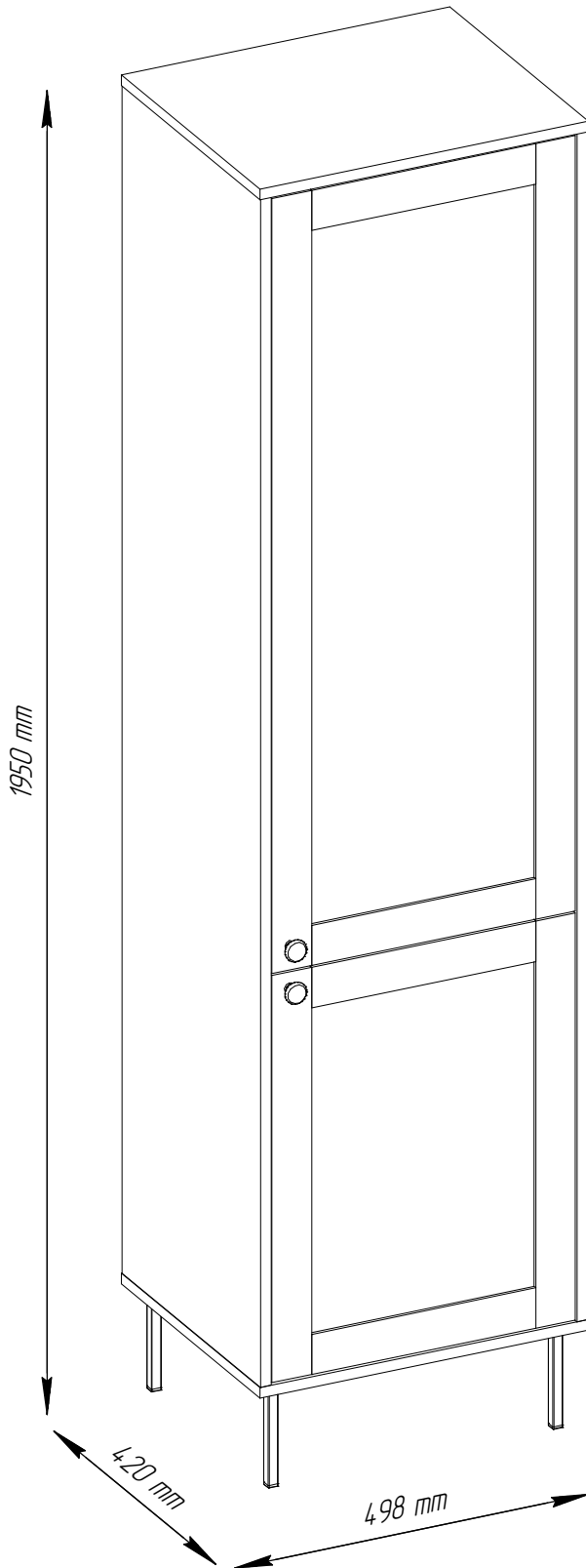
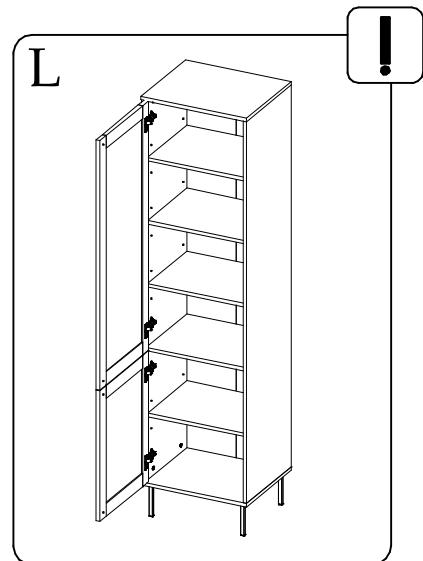
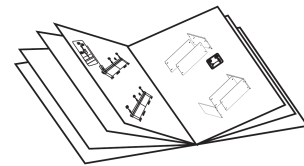
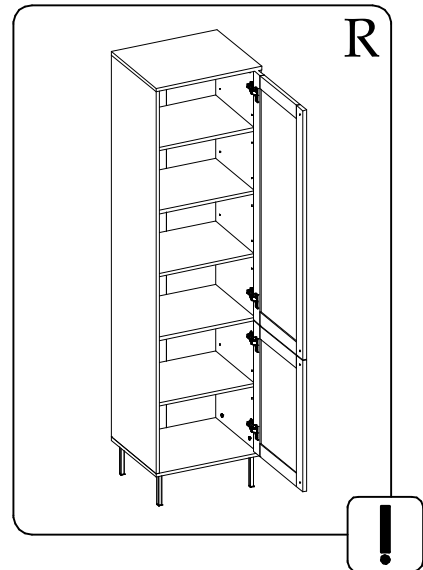


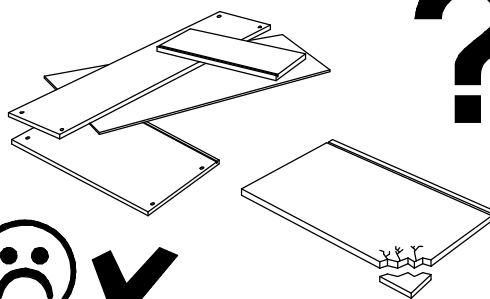
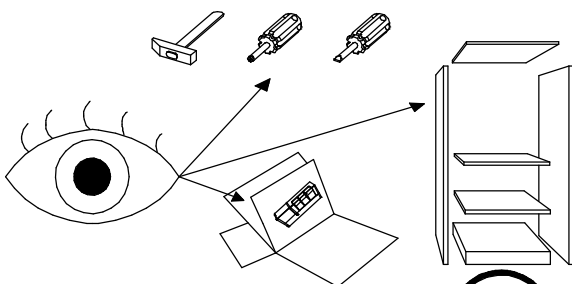
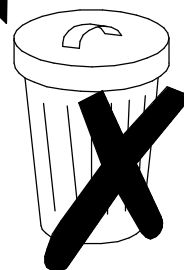
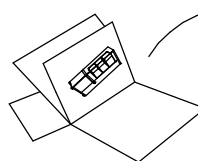
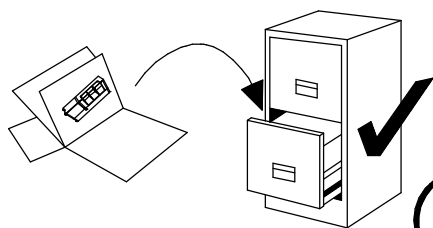
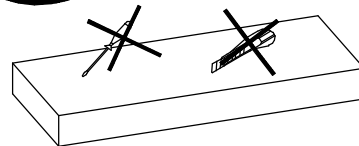
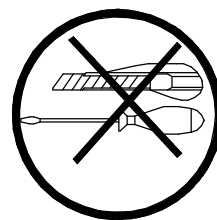
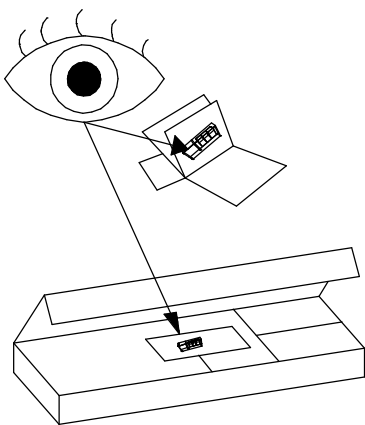
HENRY

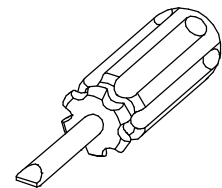
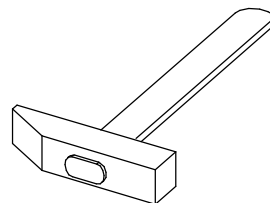
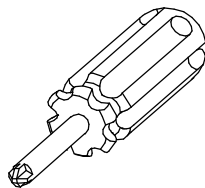
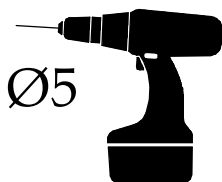
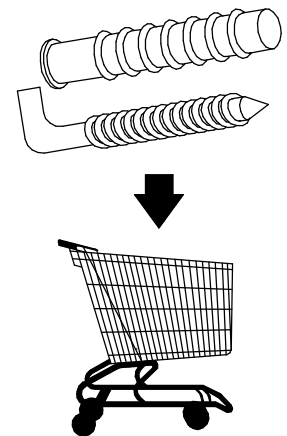
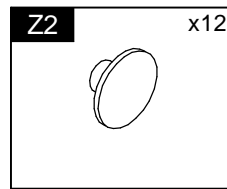
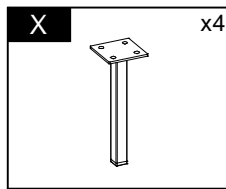
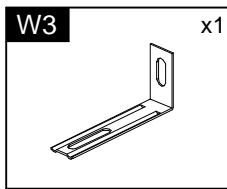
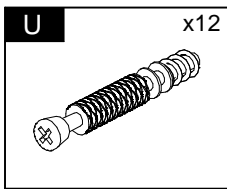
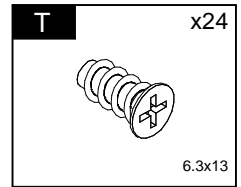
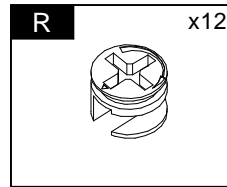
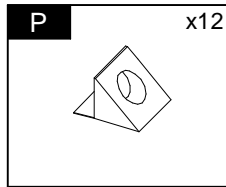
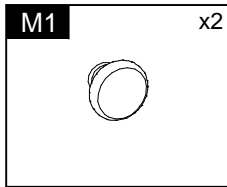
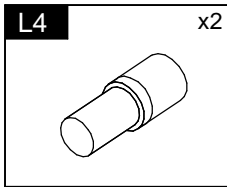
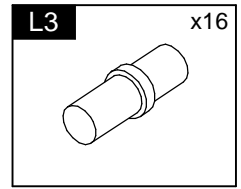
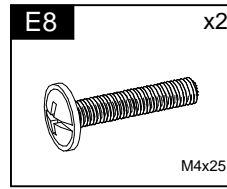
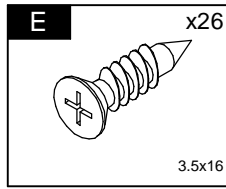
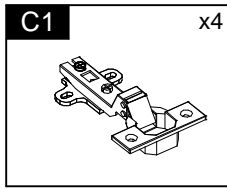
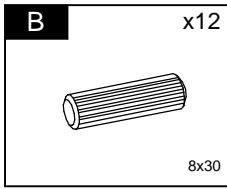
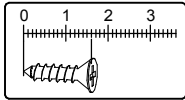
Type V

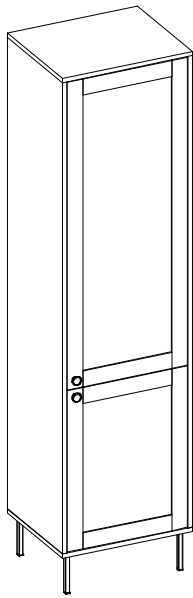


60 min

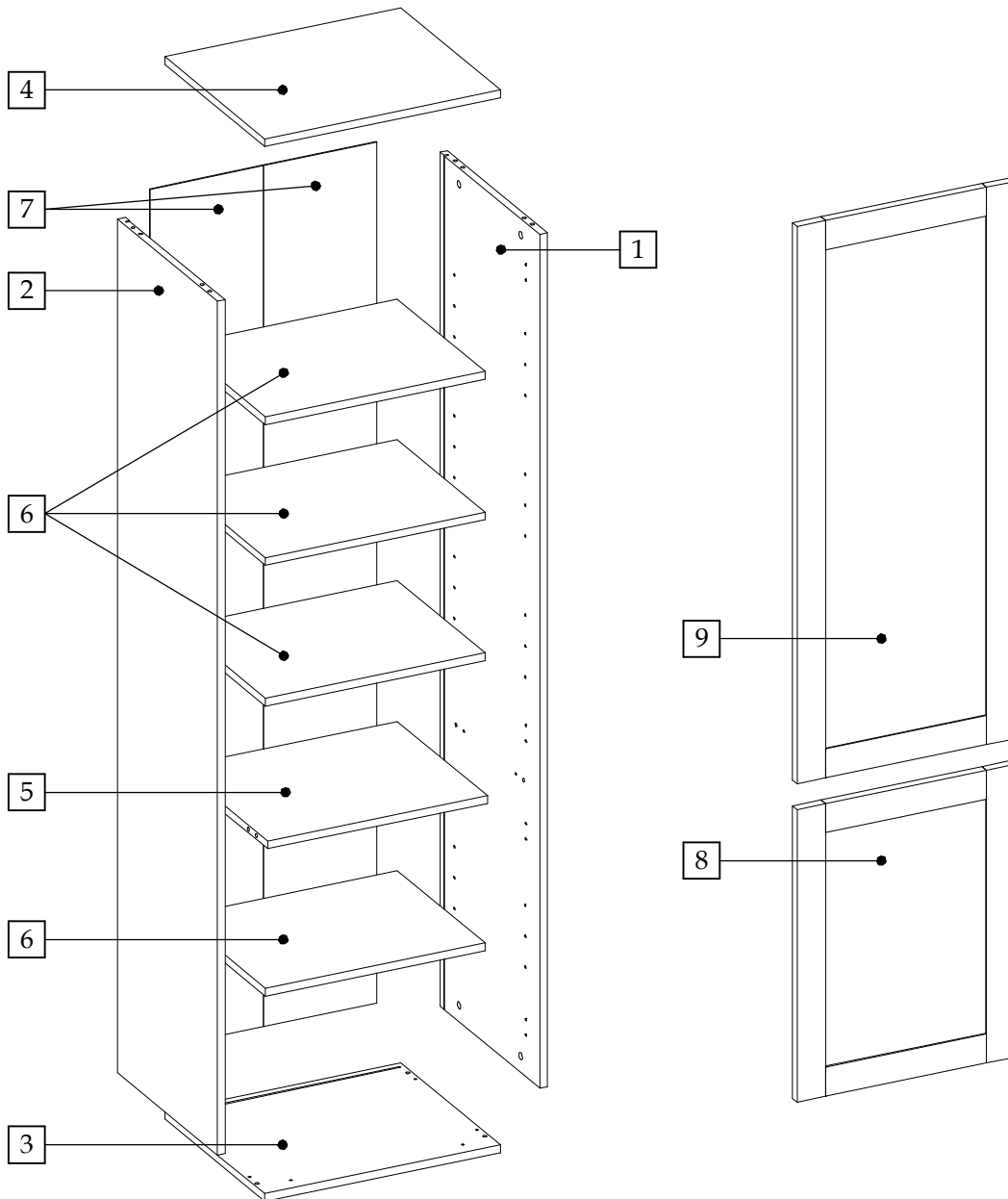


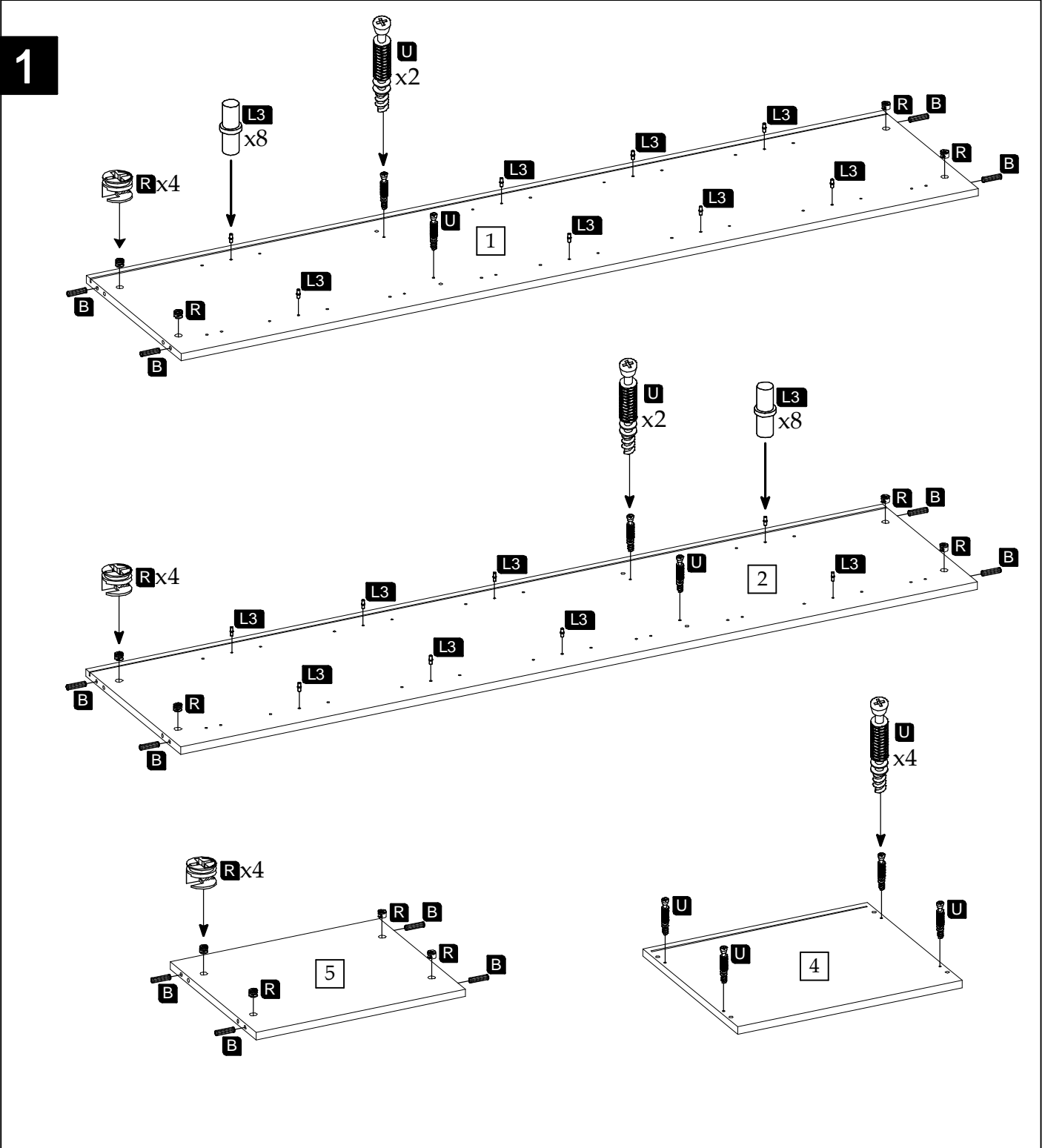




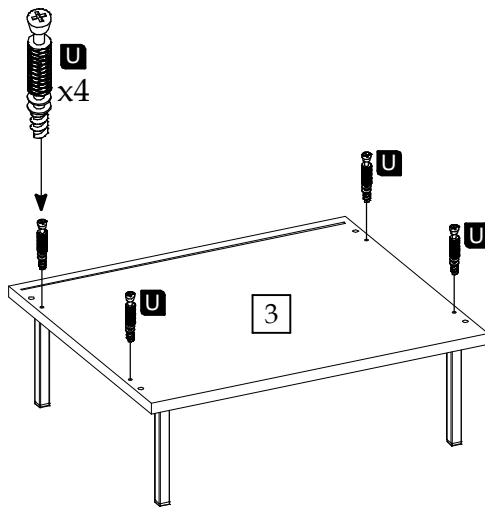
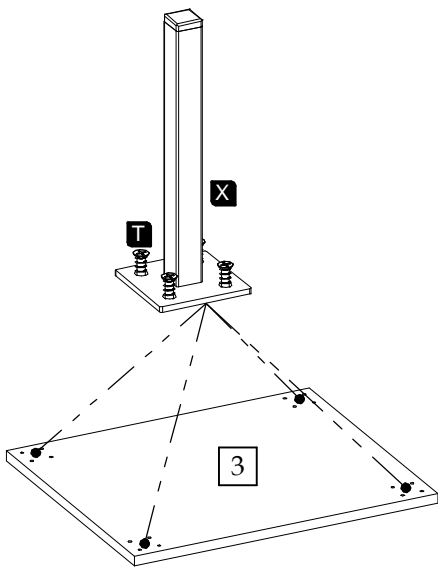


Element symbol	Measurements				Code	Pack
1	1768	419.5	16	1	1002	1/2
2	1768	419.5	16	1	1003	1/2
3	498	420	16	1	1004	1/2
4	498	420	16	1	1005	1/2
5	464	379	16	1	1007	1/2
6	463	370	16	4	N/A	1/2
7	1782	239	3	2	N/A	1/2
8	606	460	19	1	3001	2/2
9	1154	460	19	1	3002	2/2

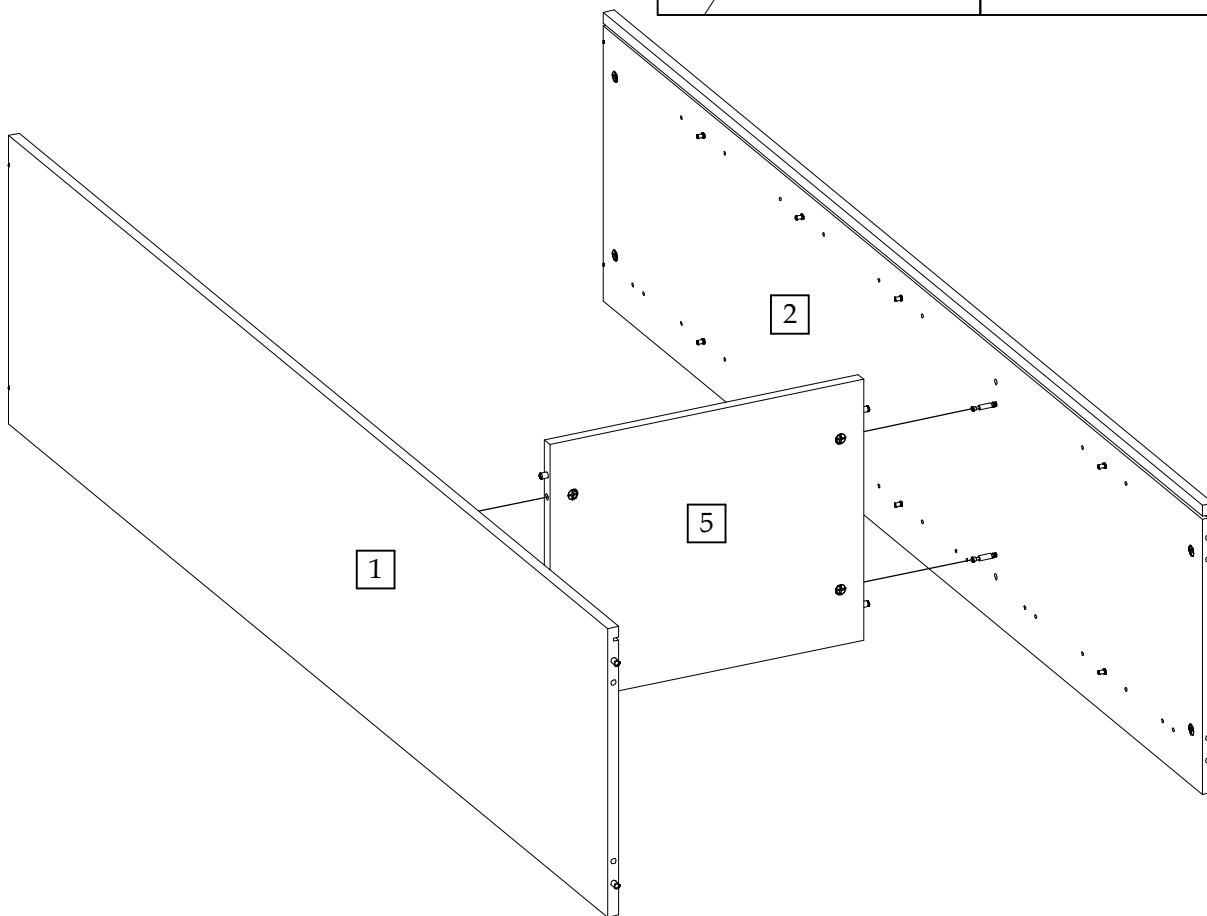
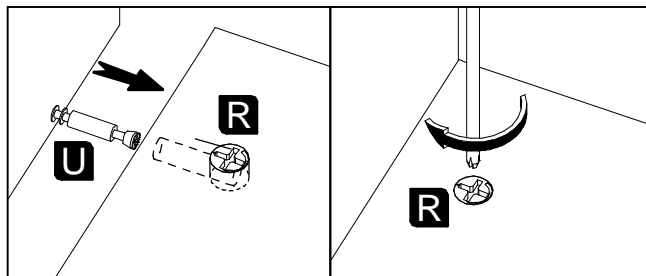




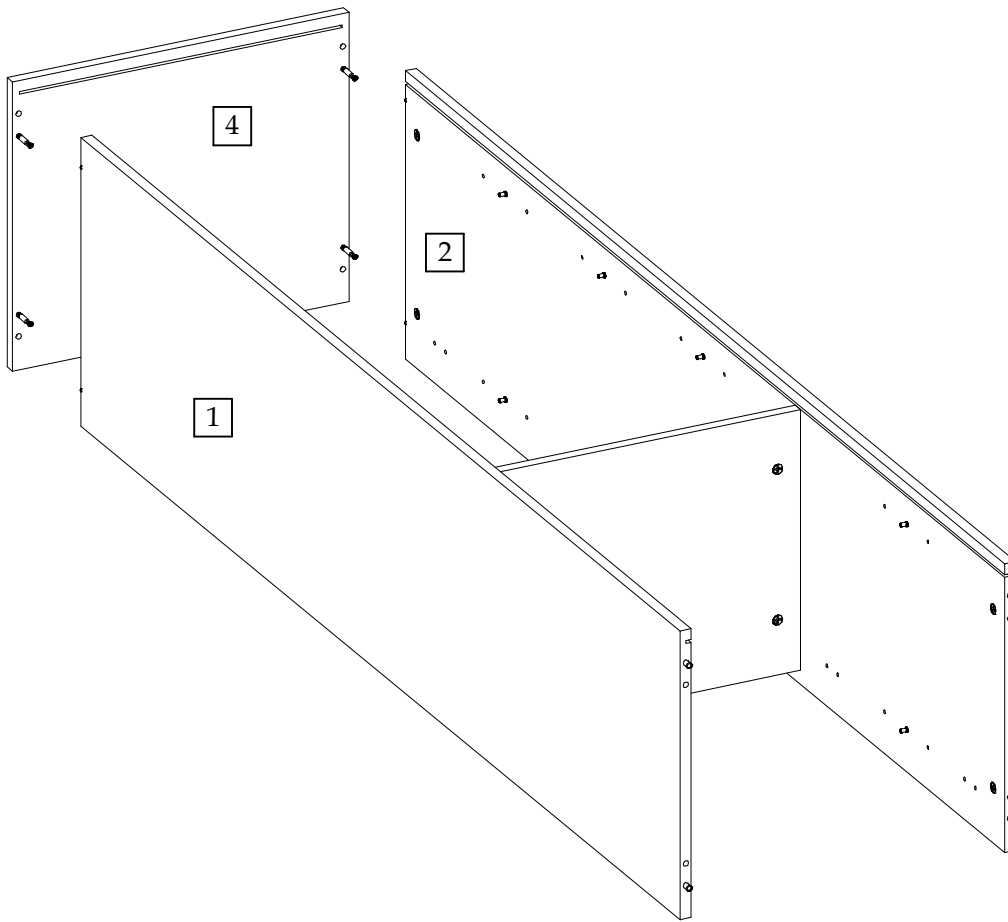
2



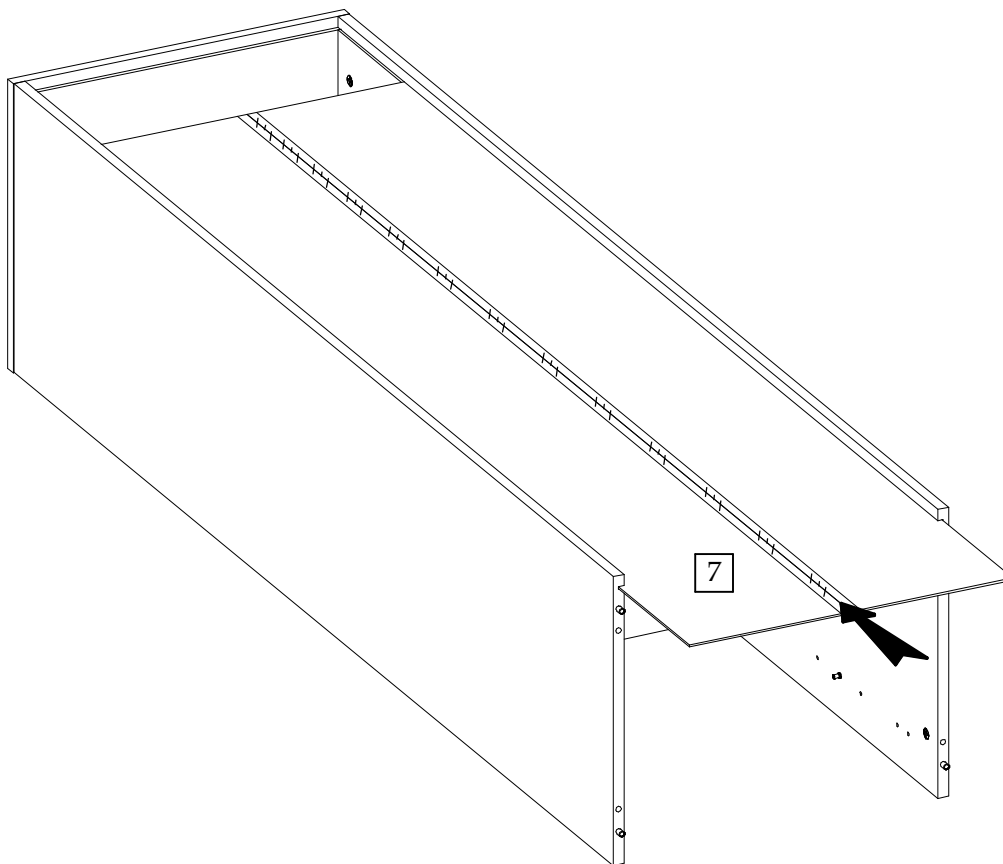
3



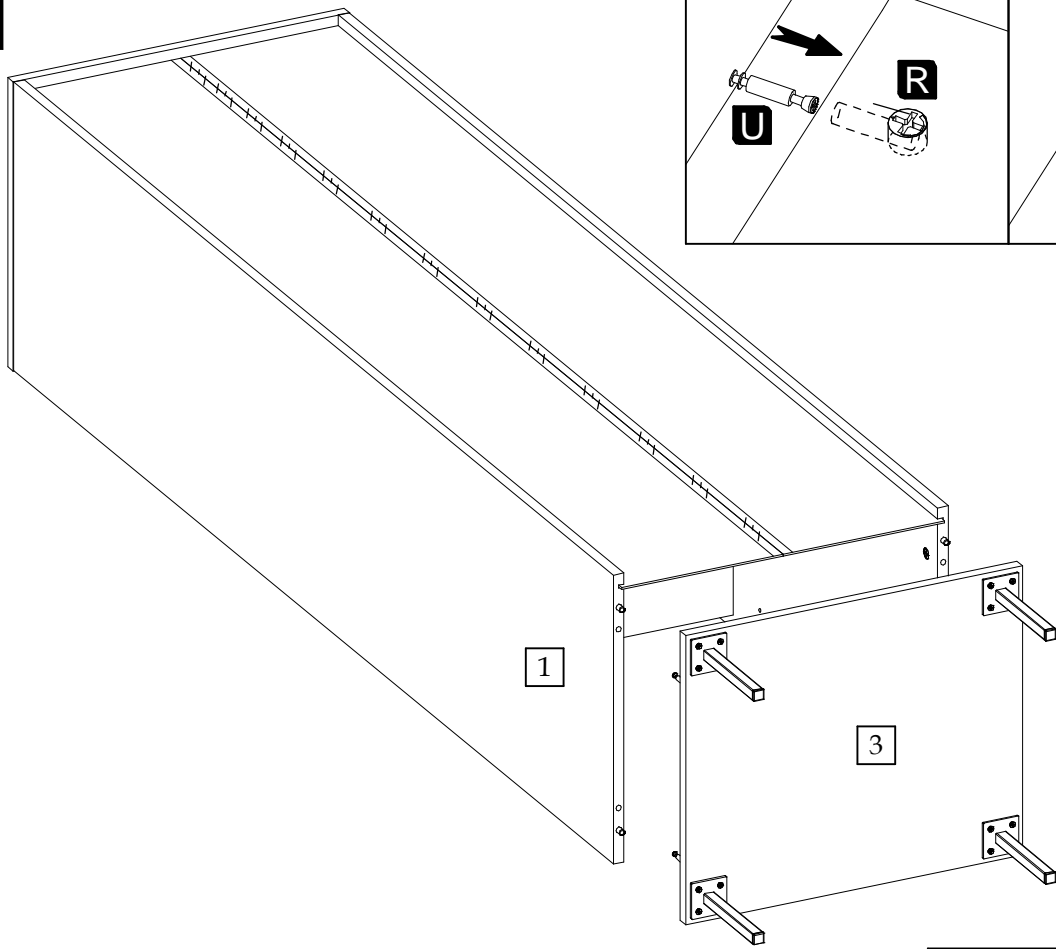
4



5



6



7

