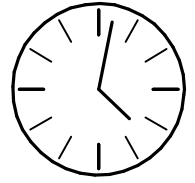
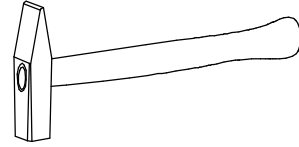
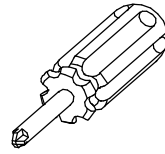
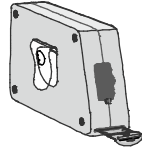
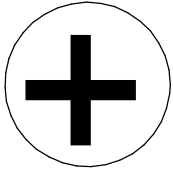
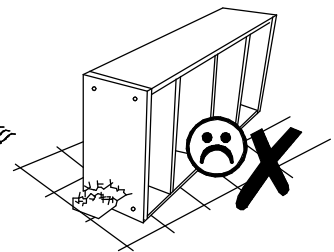
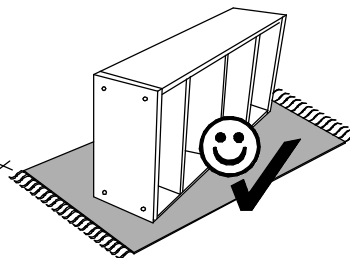
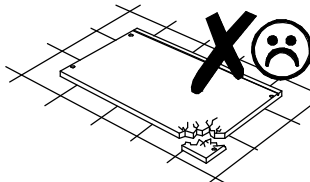
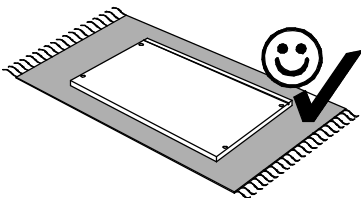
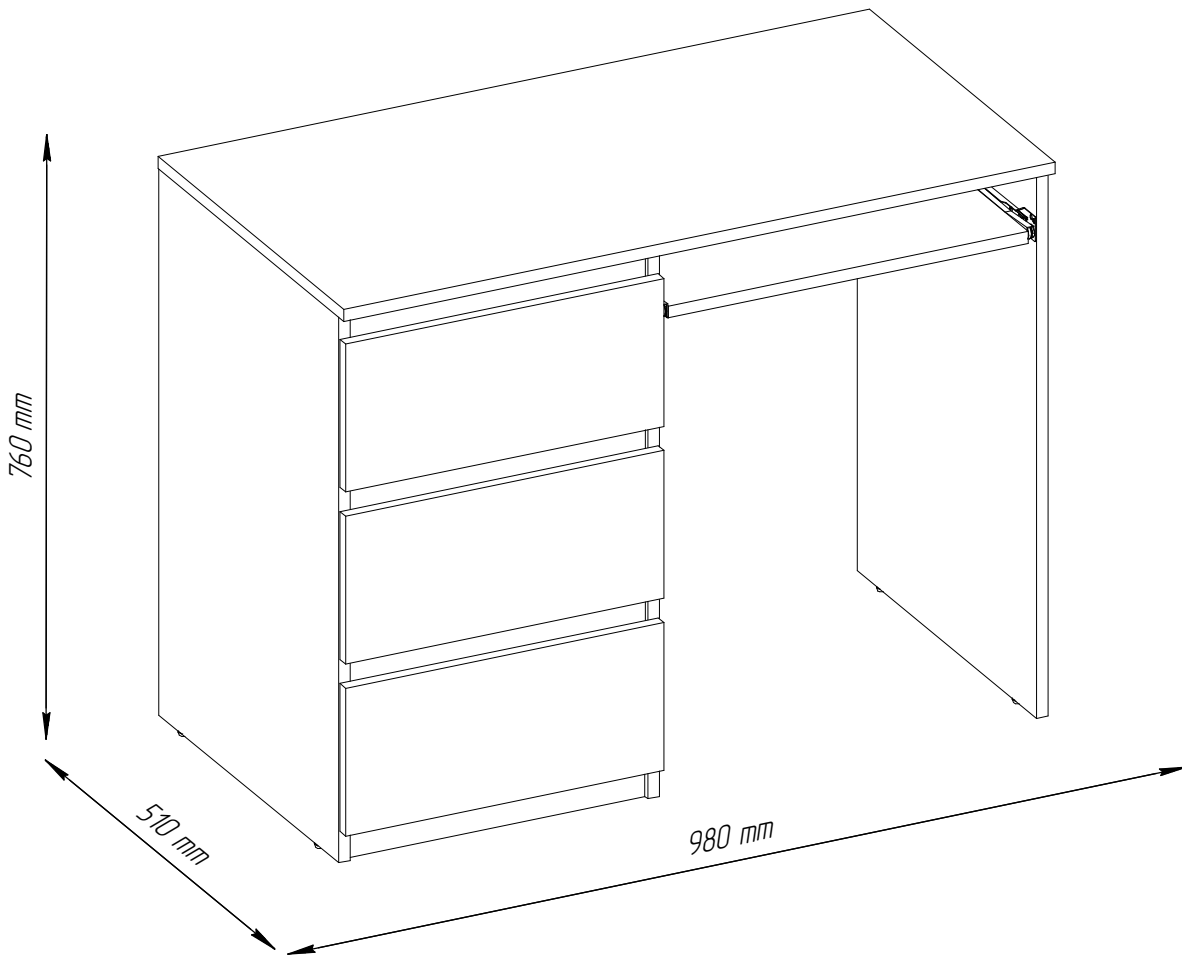
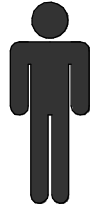
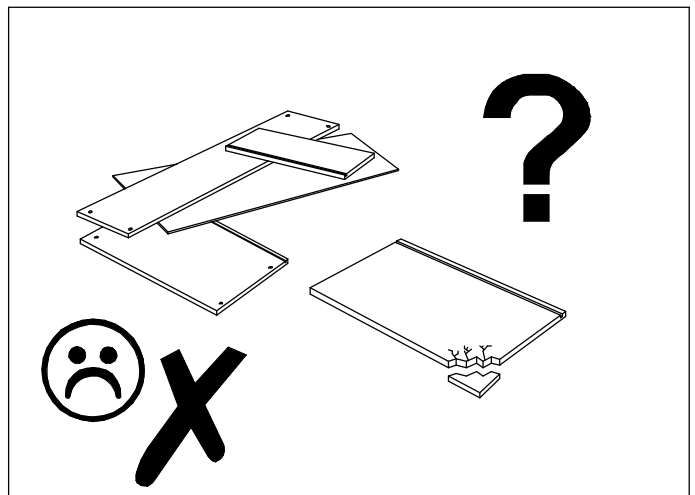
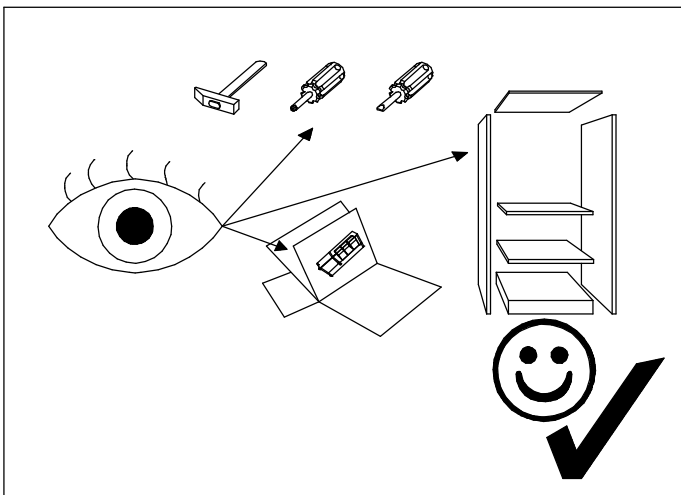
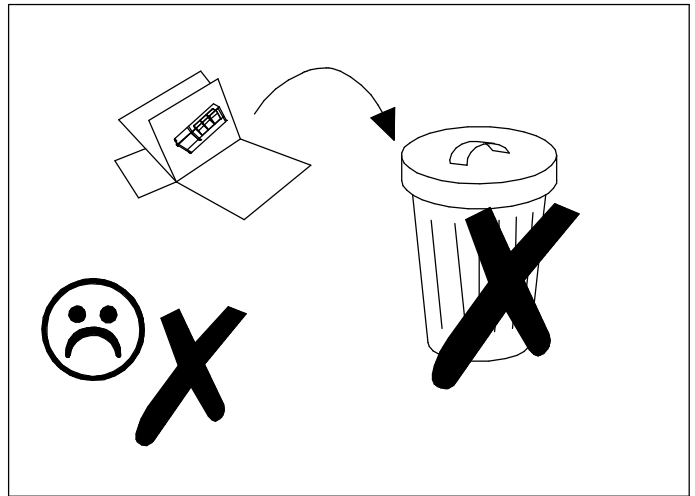
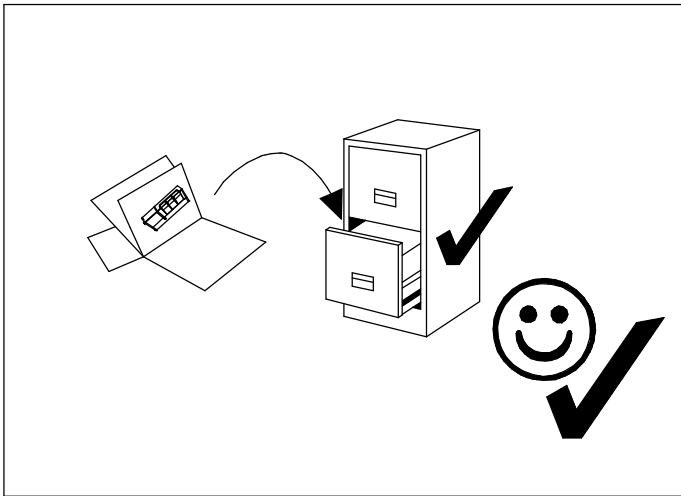
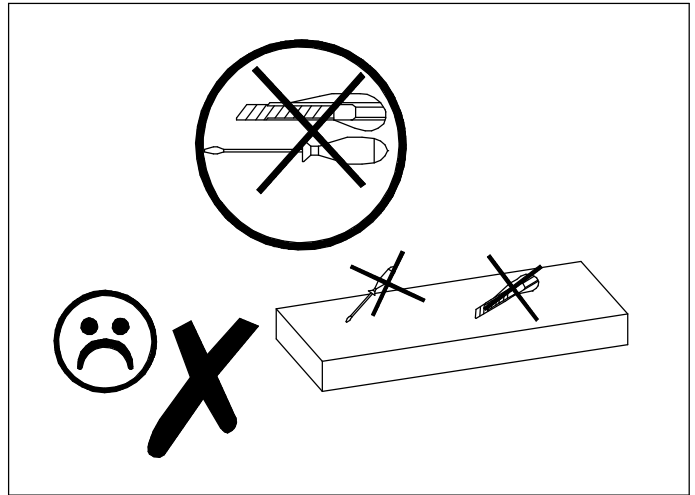
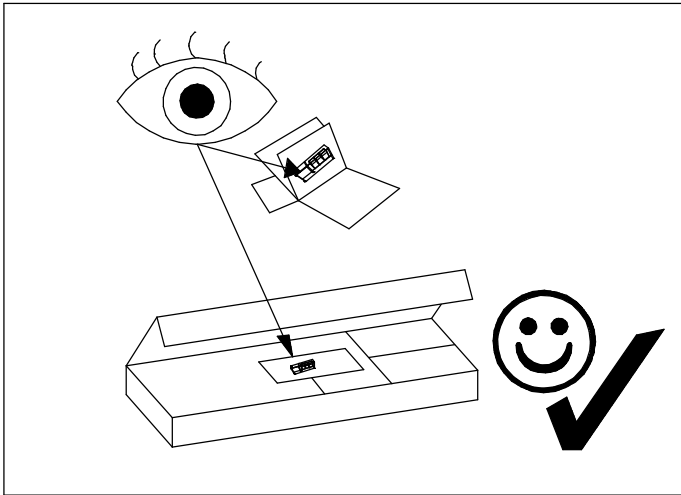


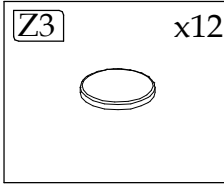
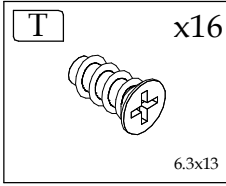
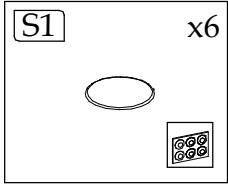
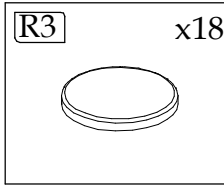
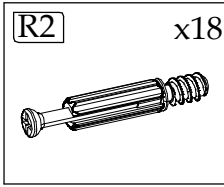
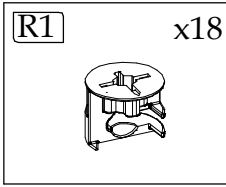
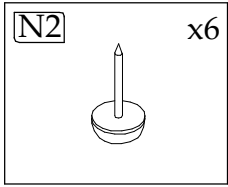
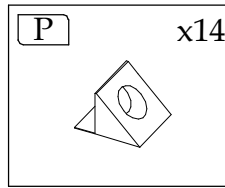
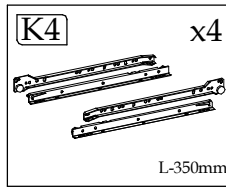
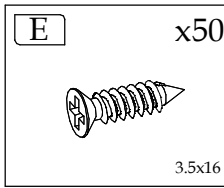
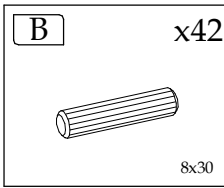
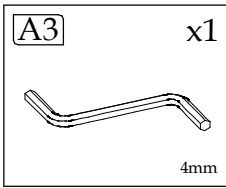
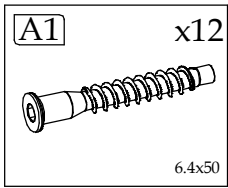
GL IBIS (LEWY)



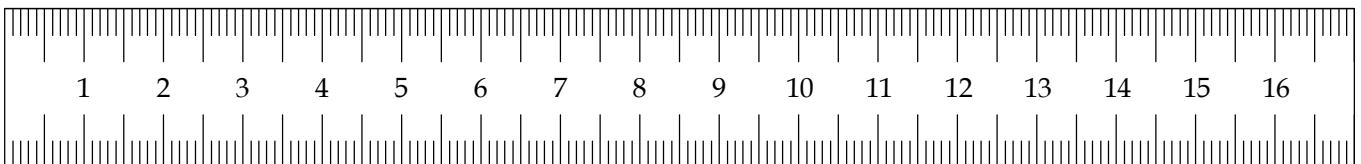
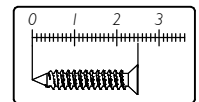
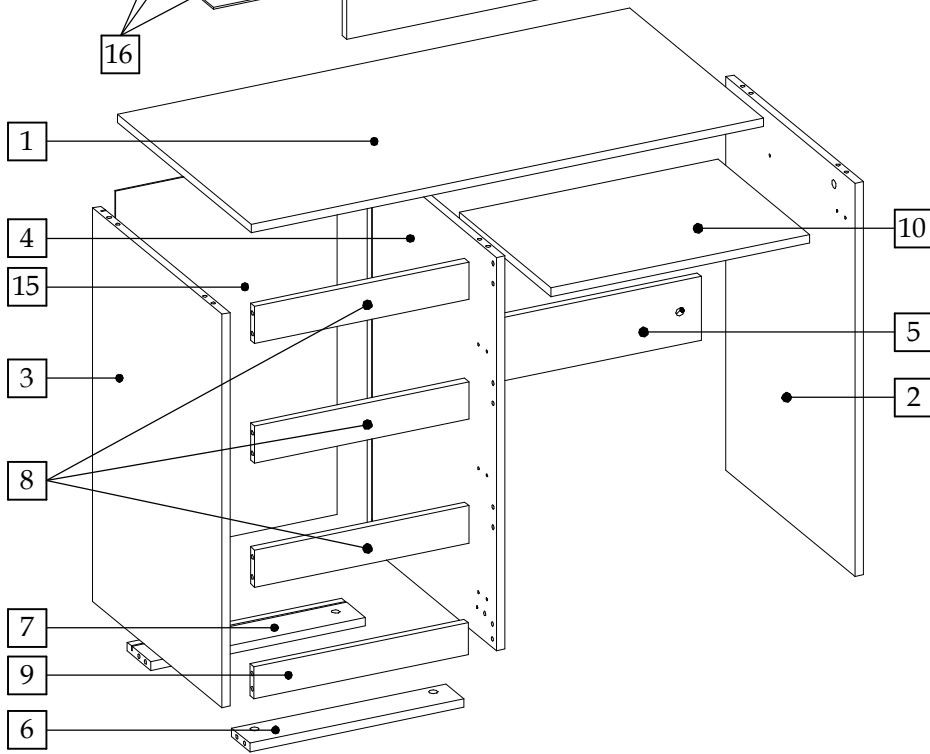
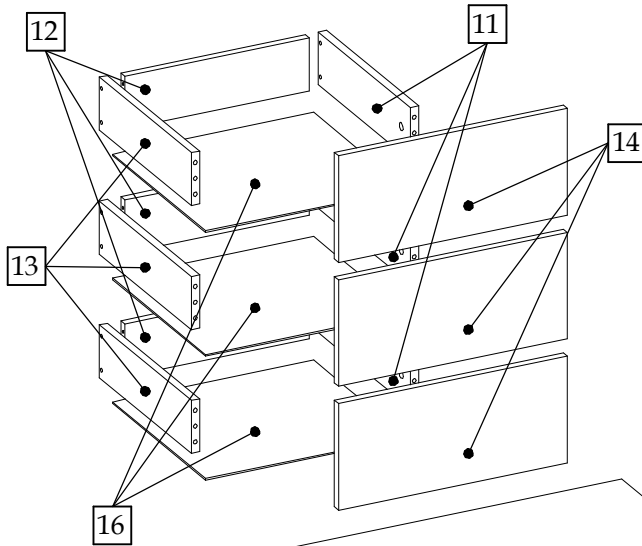
70 min

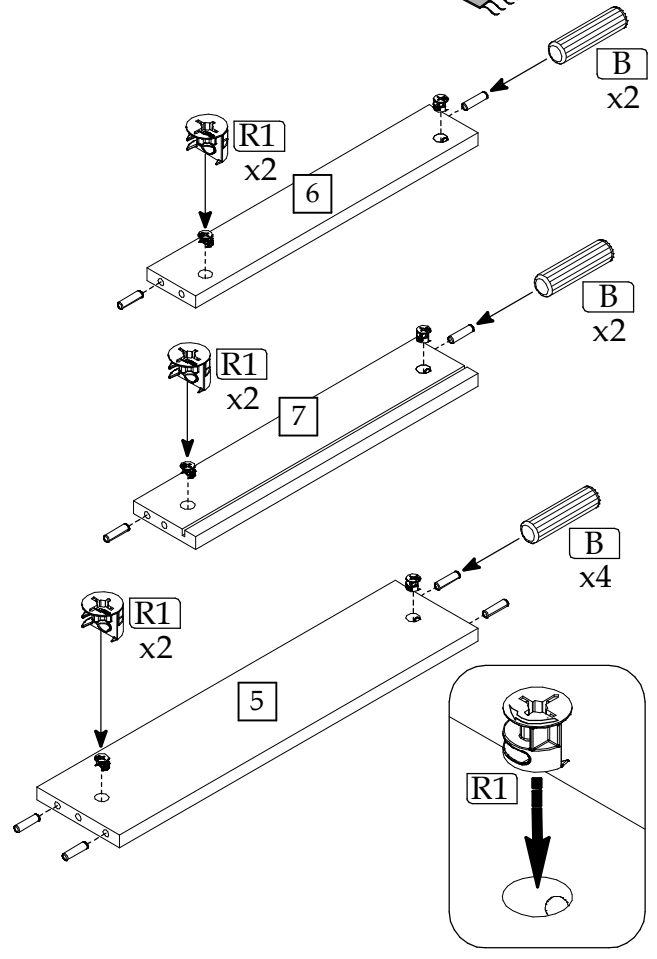
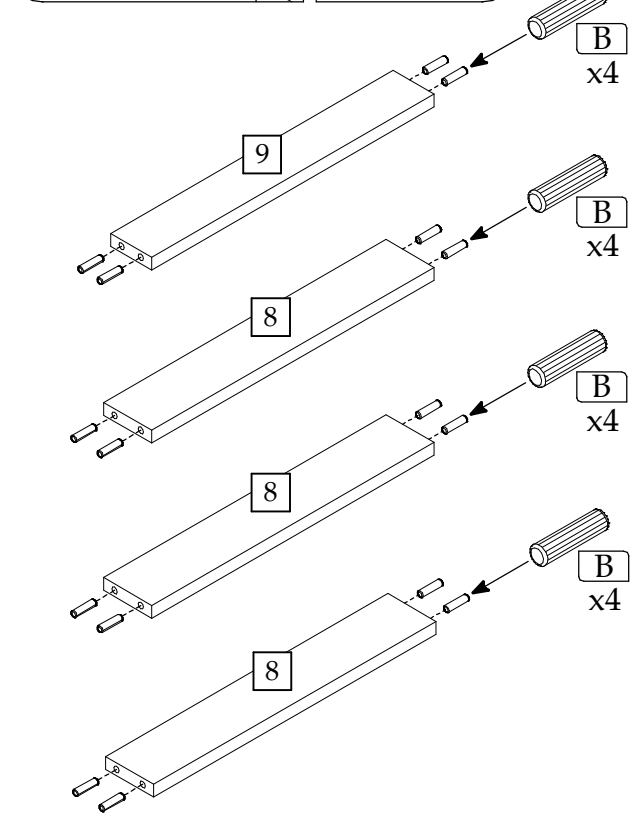
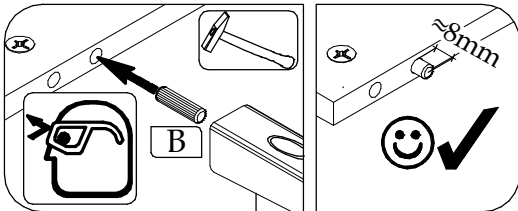
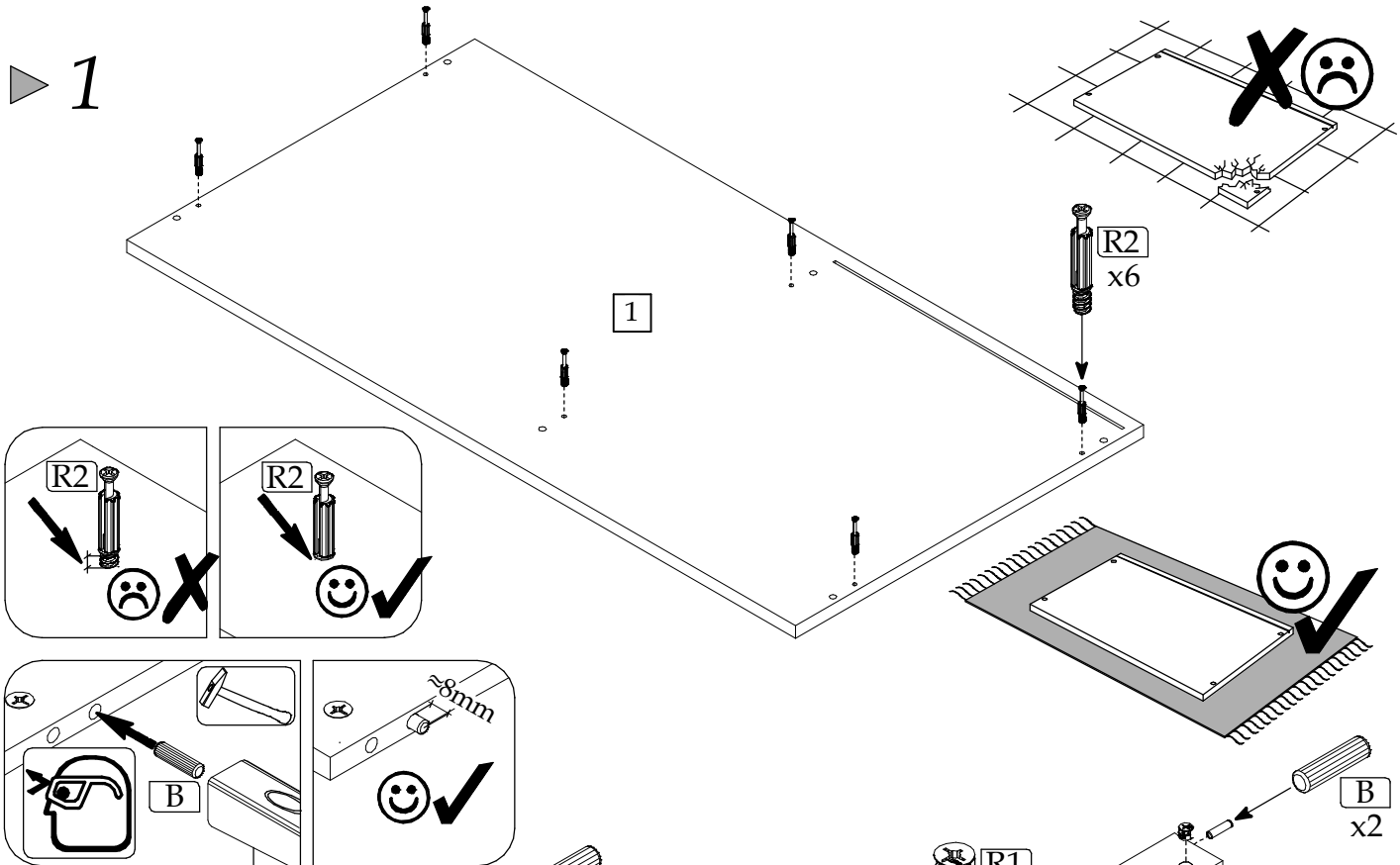
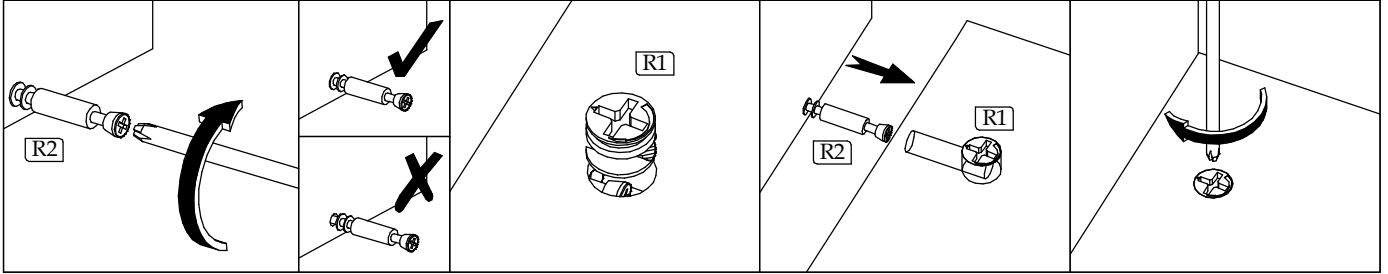


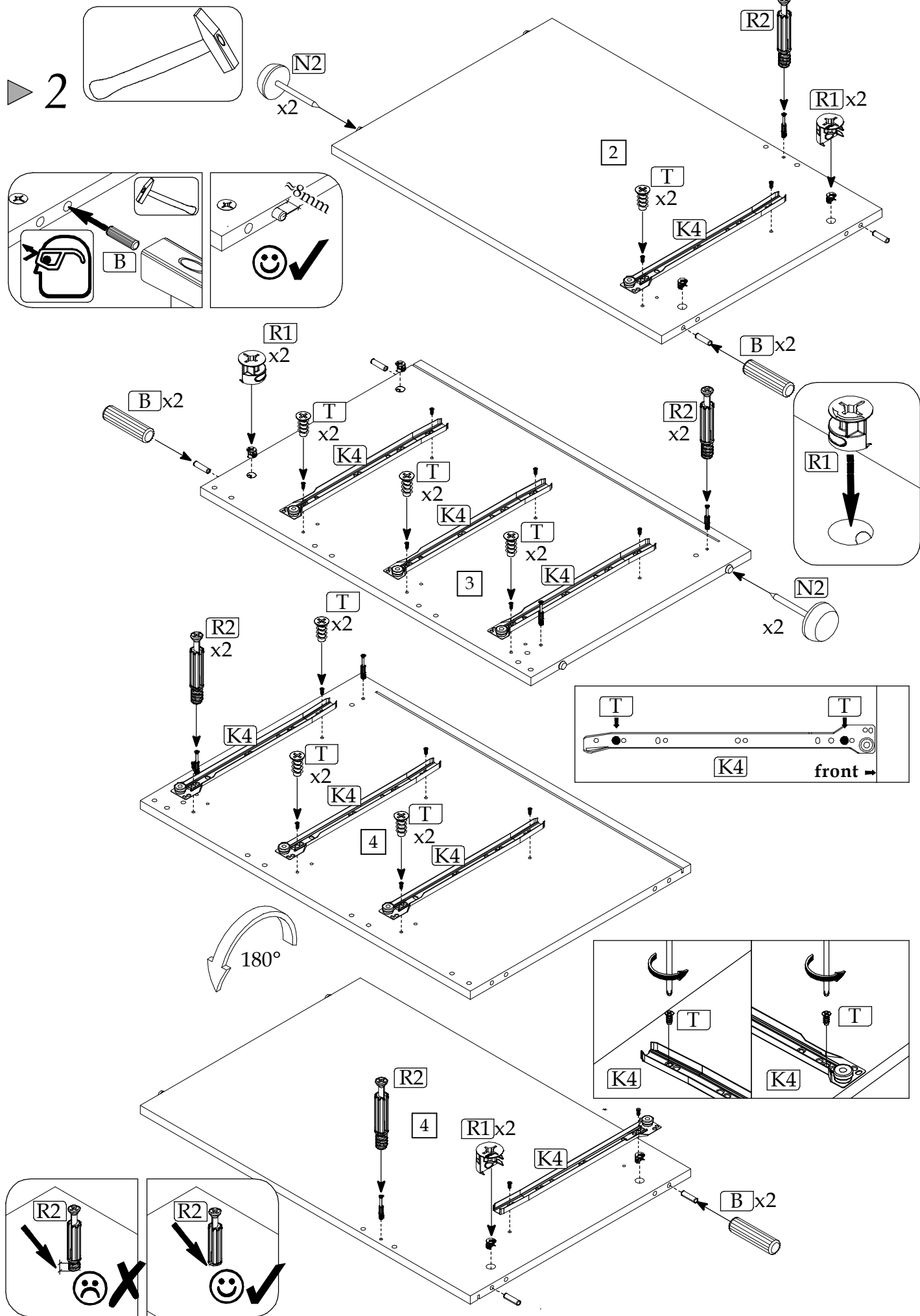




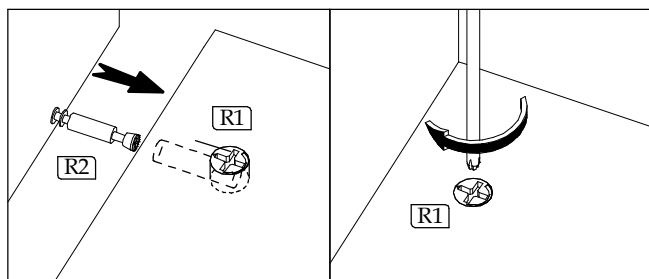
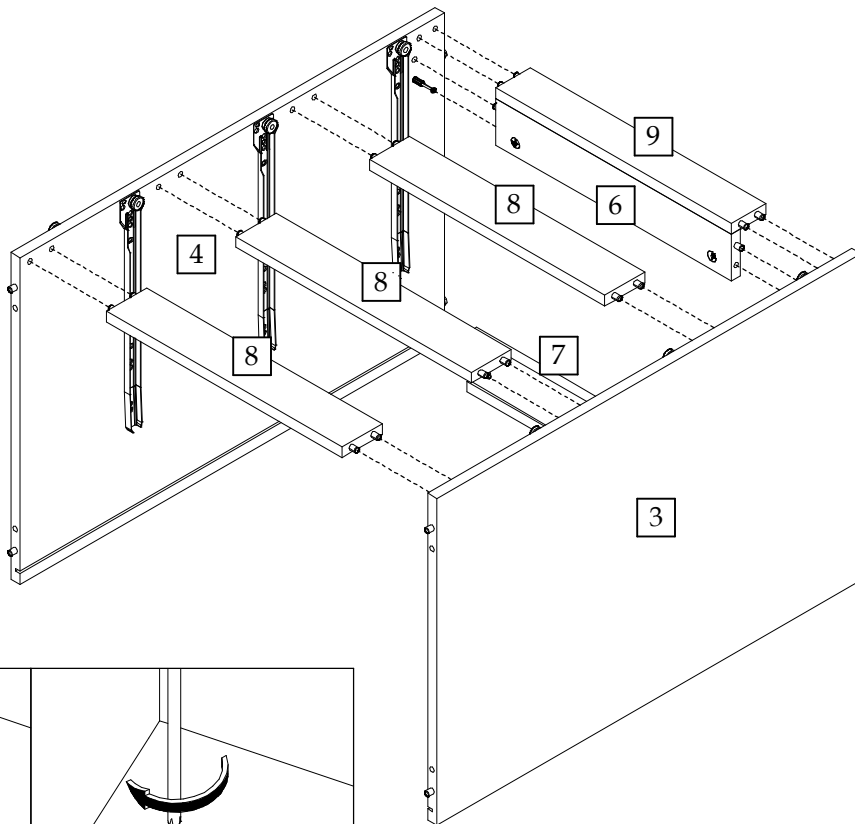
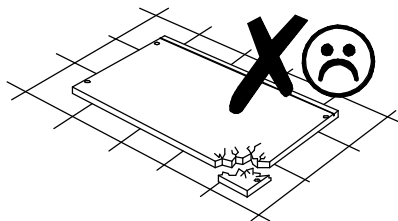
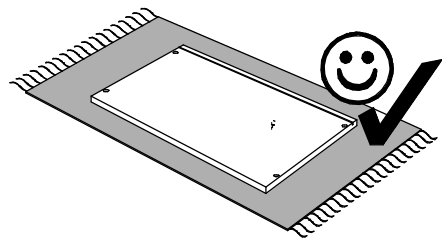
Element symbol	Measurements				Code	Paket
	1	2	3	4		
1	980	510	16	1	1003	1/2
2	739	493	16	1	1002	2/2
3	739	493	16	1	1007	2/2
4	739	493	16	1	1006/2006	2/2
5	520	120	16	1	1004	1/2
6	410	70	16	1	1010	1/2
7	410	90	16	1	1009	1/2
8	410	70	16	3	1001/27/28	1/2
9	410	60	16	1	1008	1/2
10	495	350	16	1	N/A	1/2
11	350	99.5	16	3	1013/18/23	1/2
12	353	99.5	16	3	1014/19/24	1/2
13	350	99.5	16	3	1015/20/25	1/2
14	438	200	16	3	1012/17/22	1/2
15	693	424	3	1	N/A	2/2
16	385	424	3	3	N/A	2/2



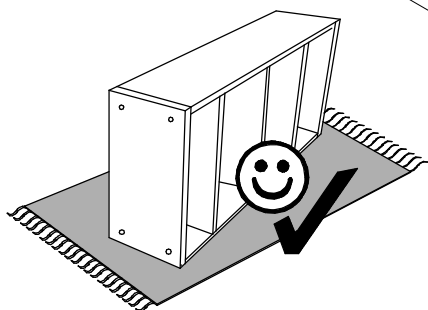
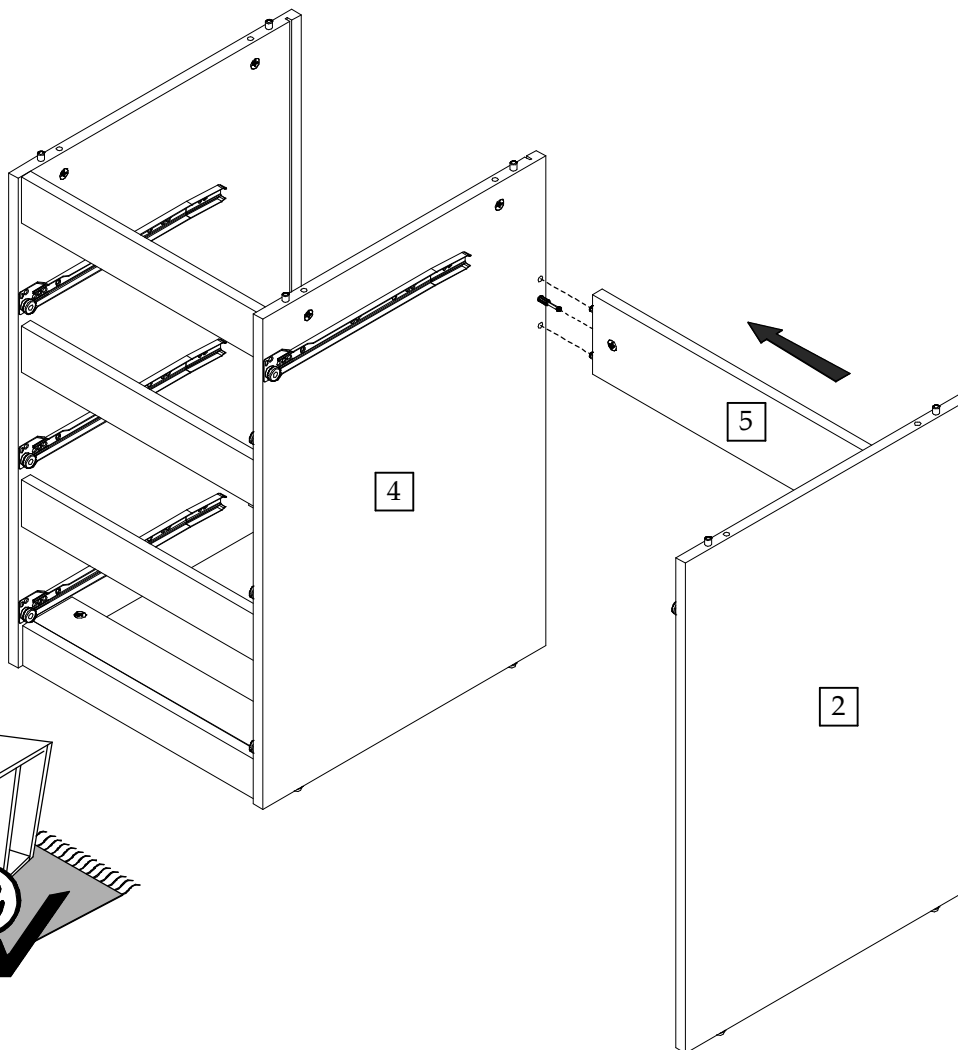




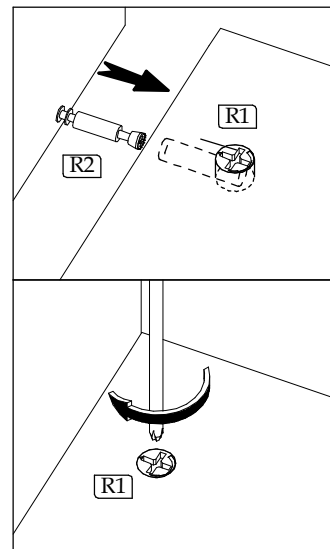
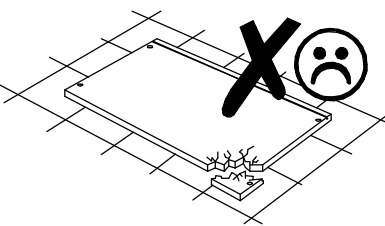
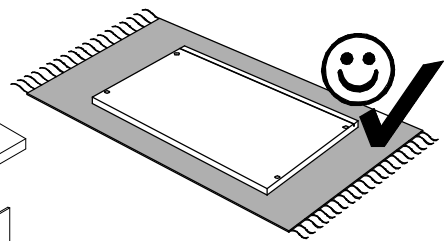
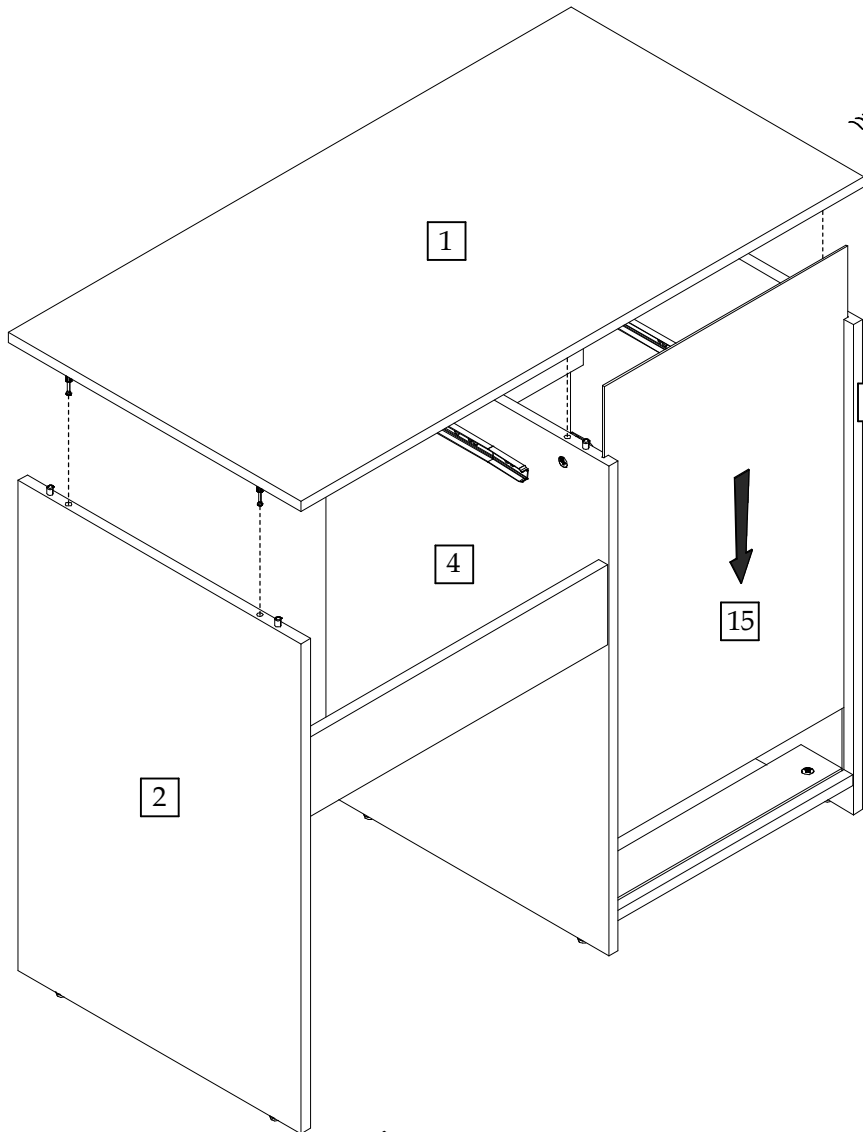
▶ 3



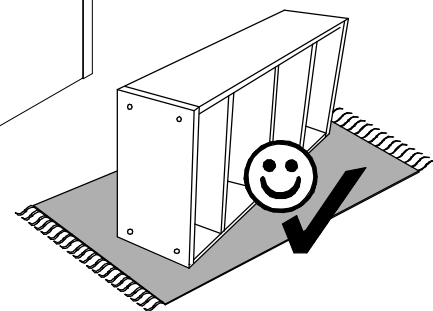
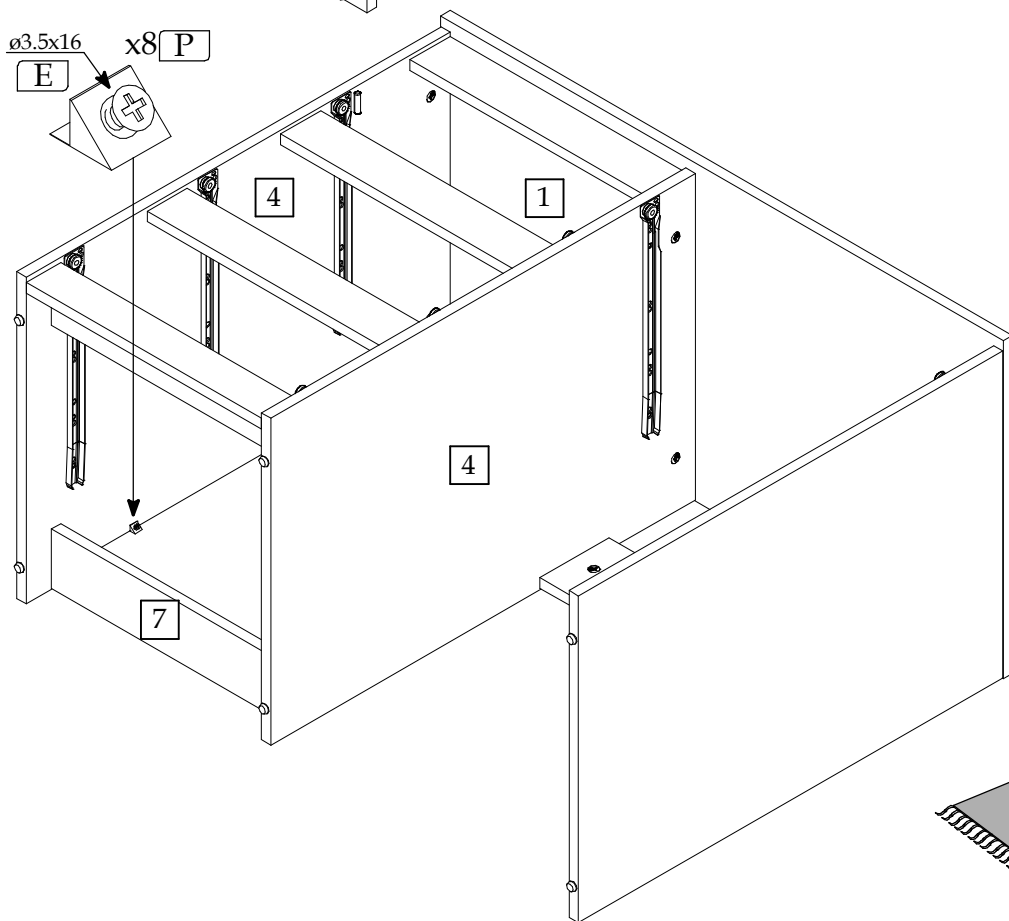
▶ 4



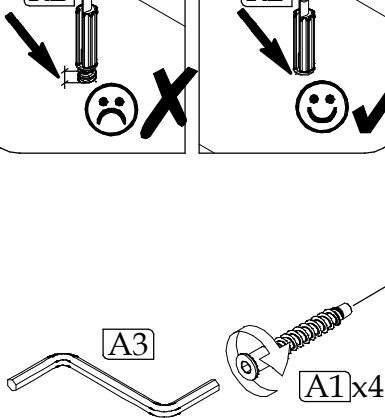
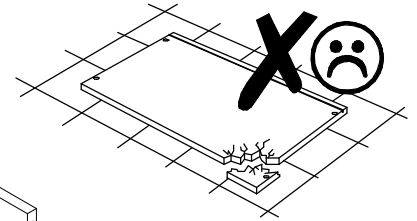
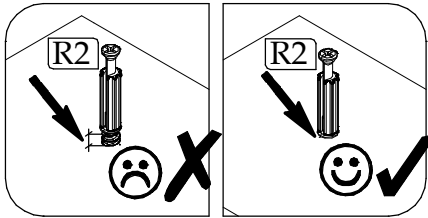
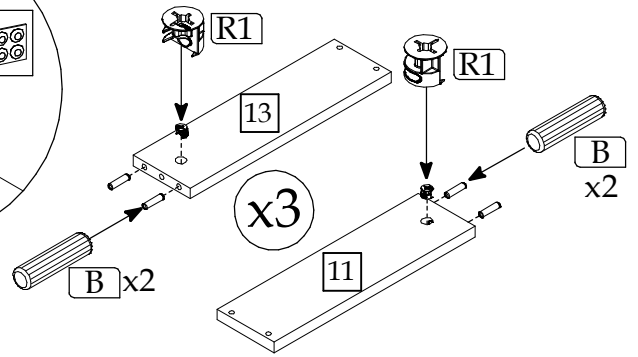
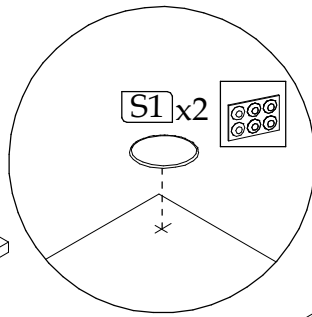
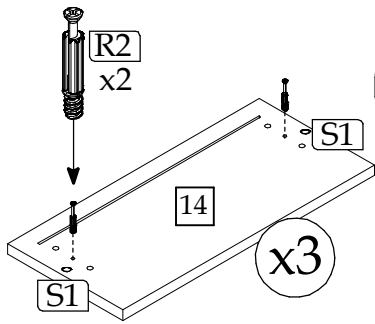
▶ 5



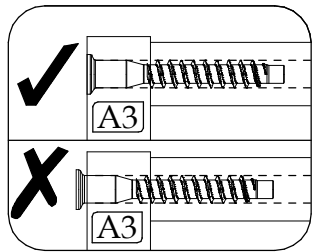
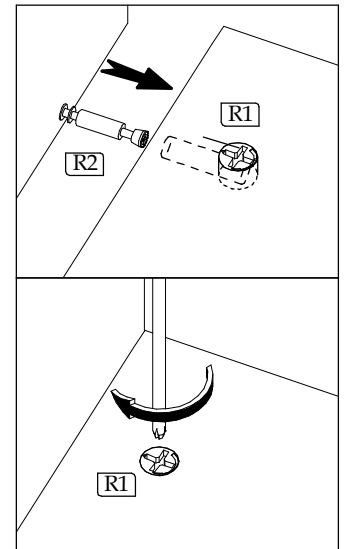
▶ 6



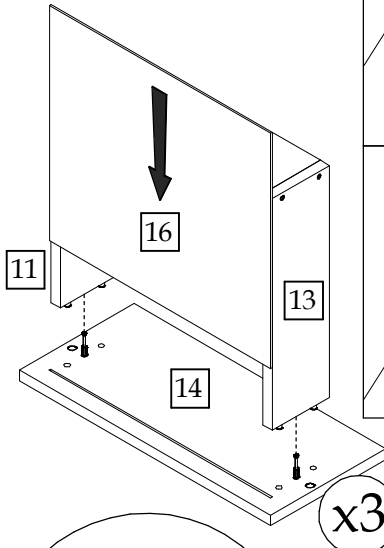
7



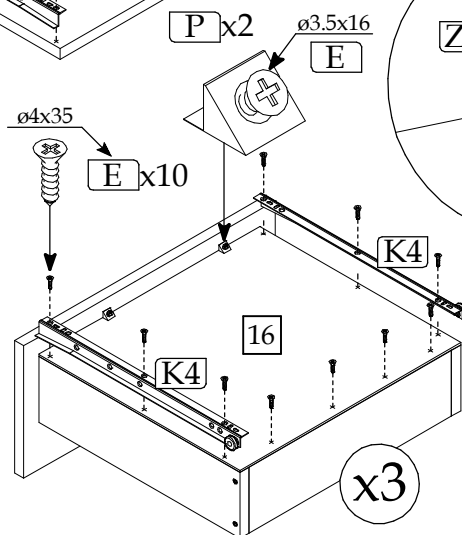
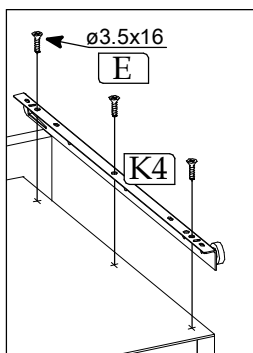
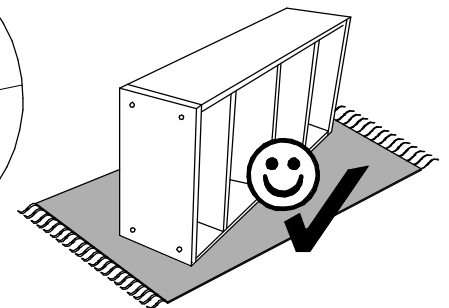
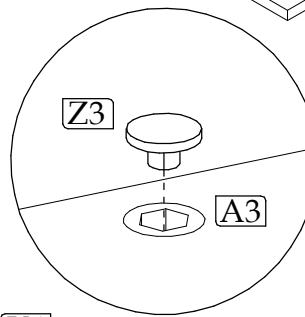
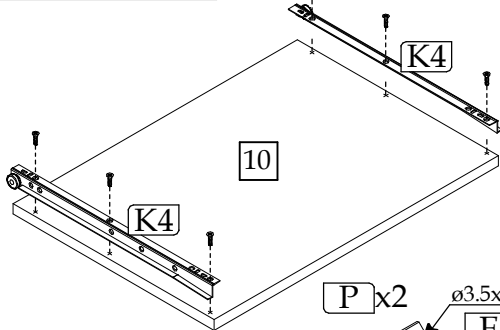
x3



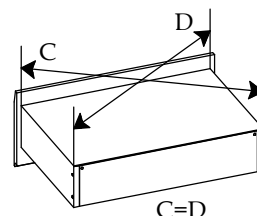
ø4x35 E x6



x3



x3



▶ 8

