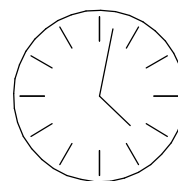
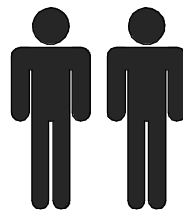
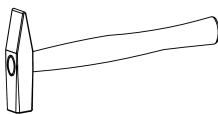
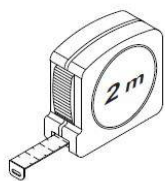
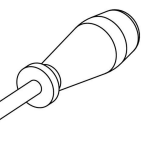
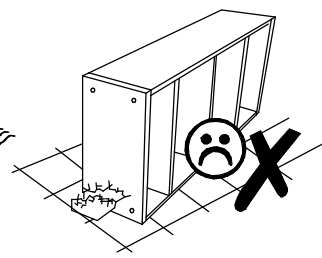
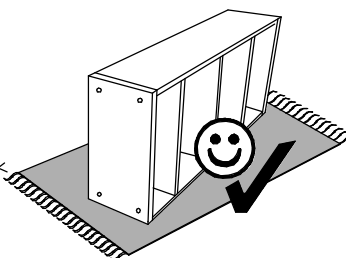
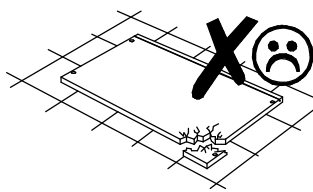
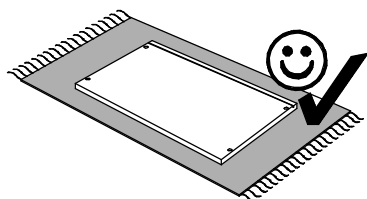
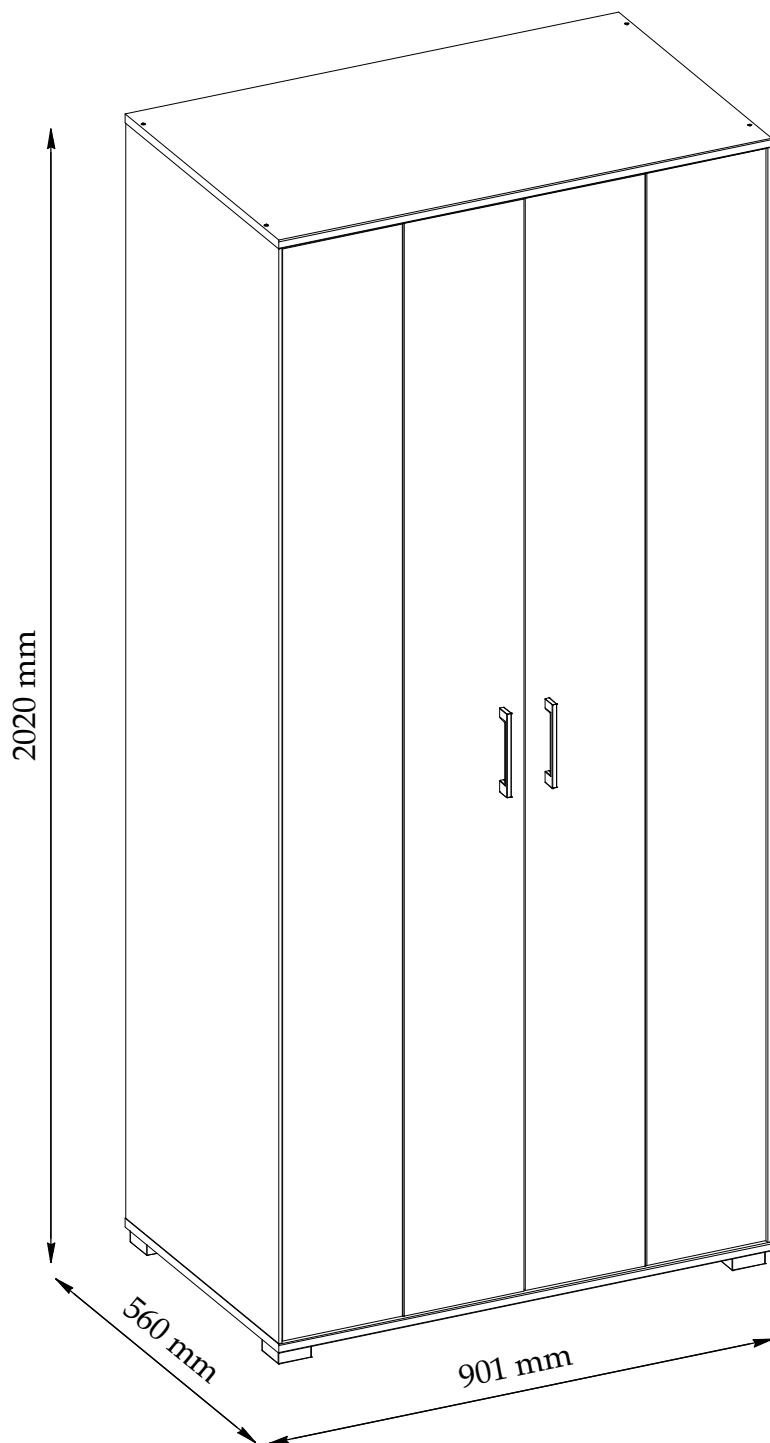
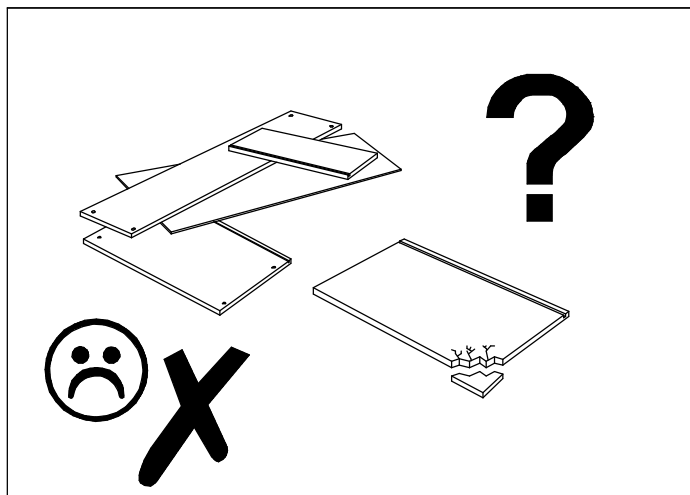
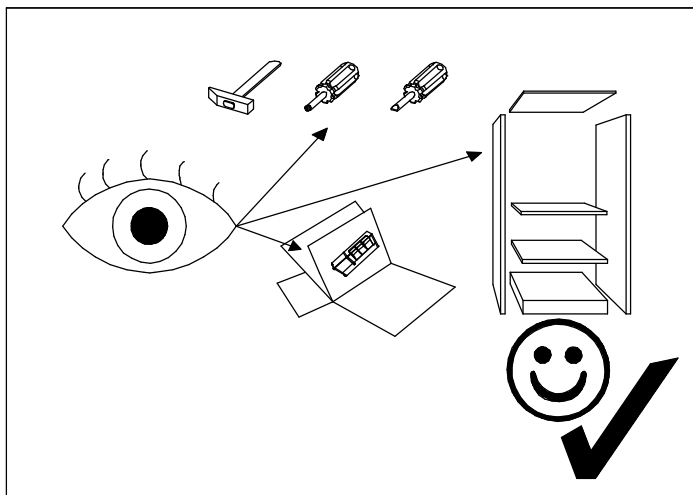
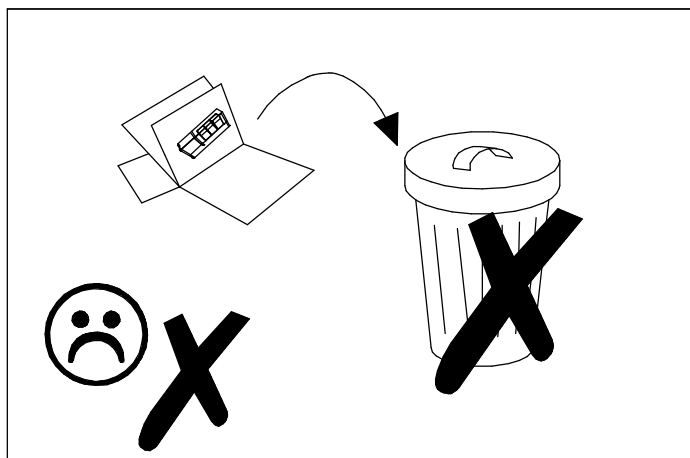
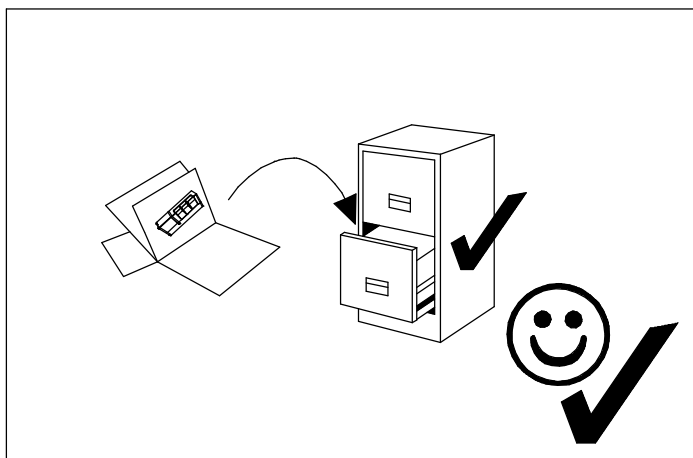
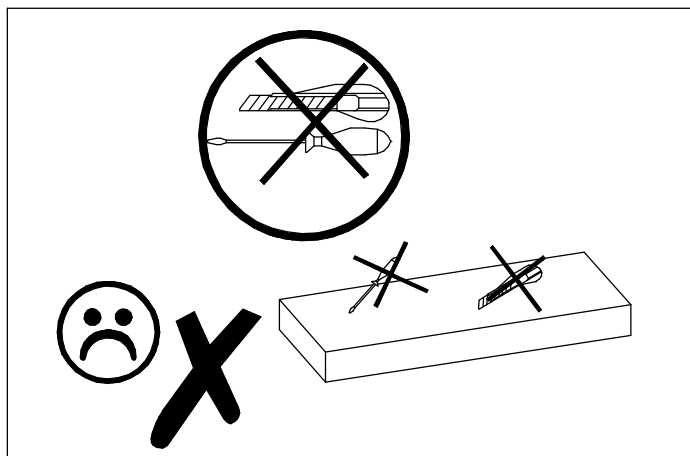
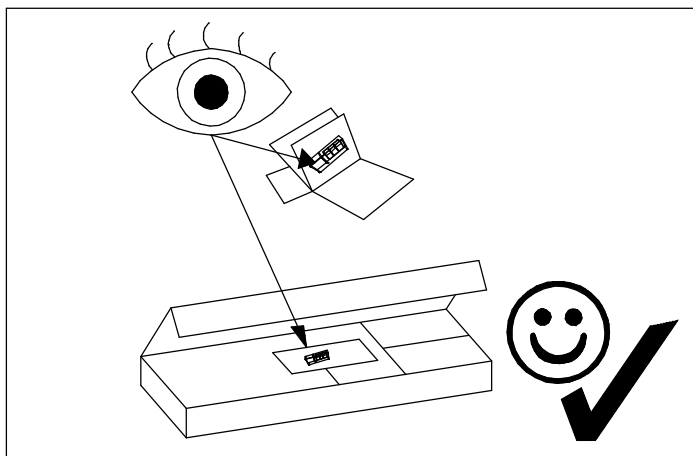


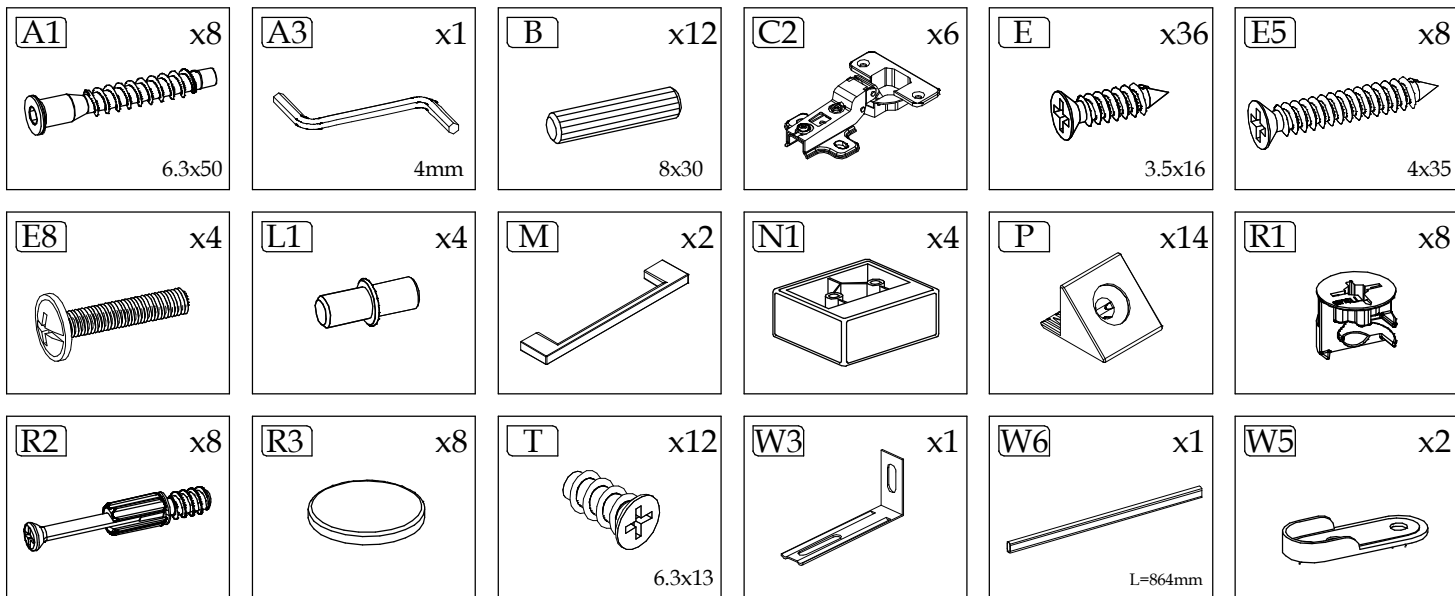
KENDAL F



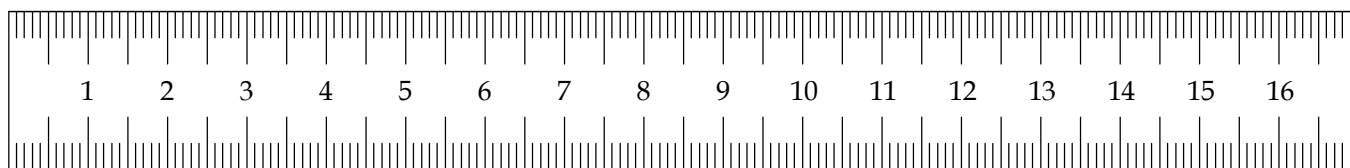
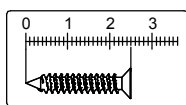
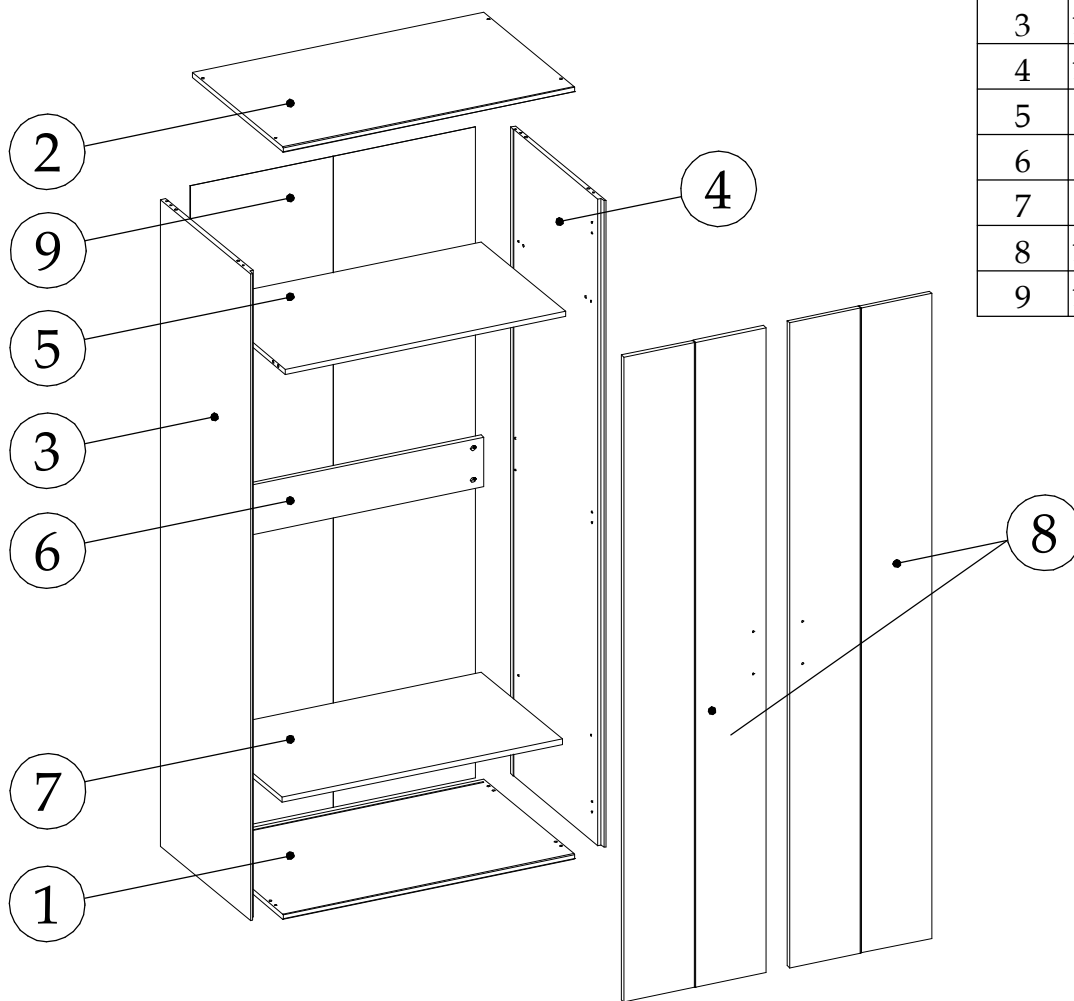
90 min

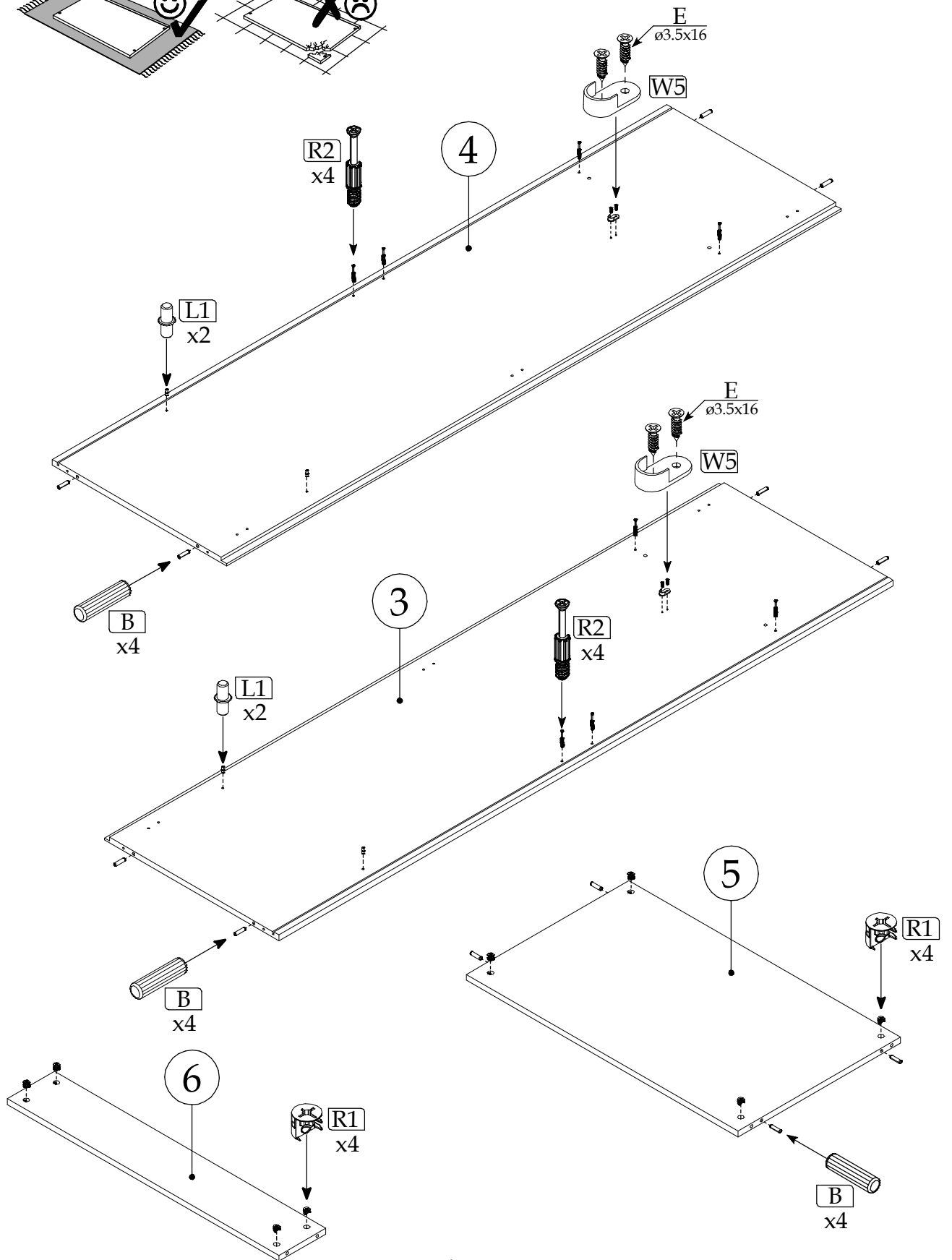
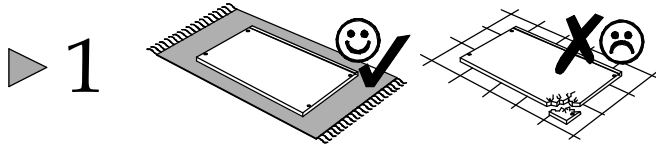
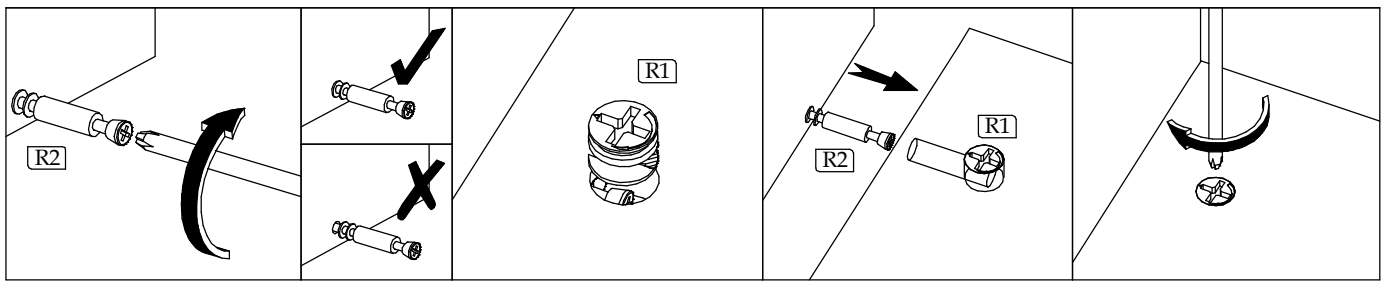


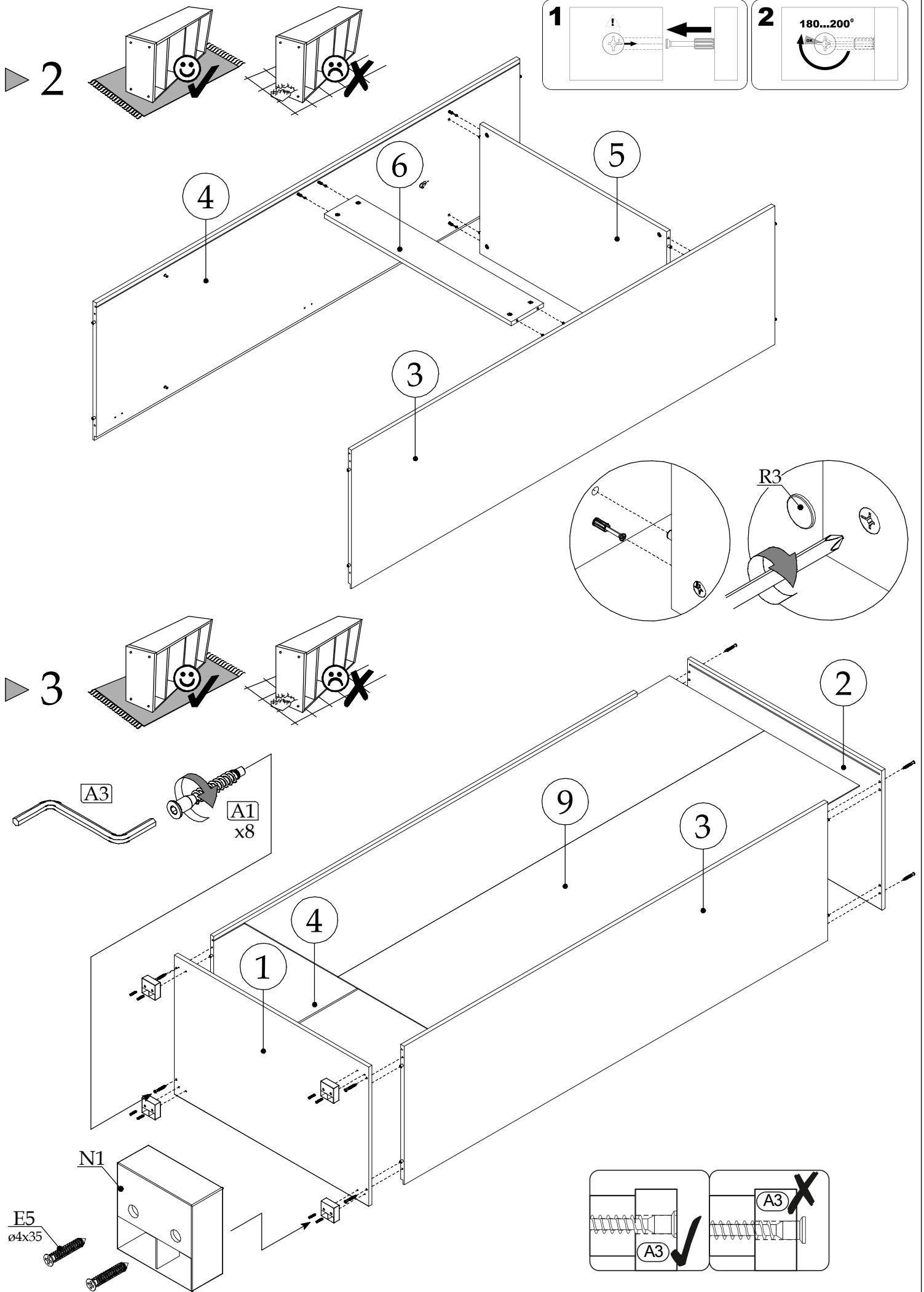


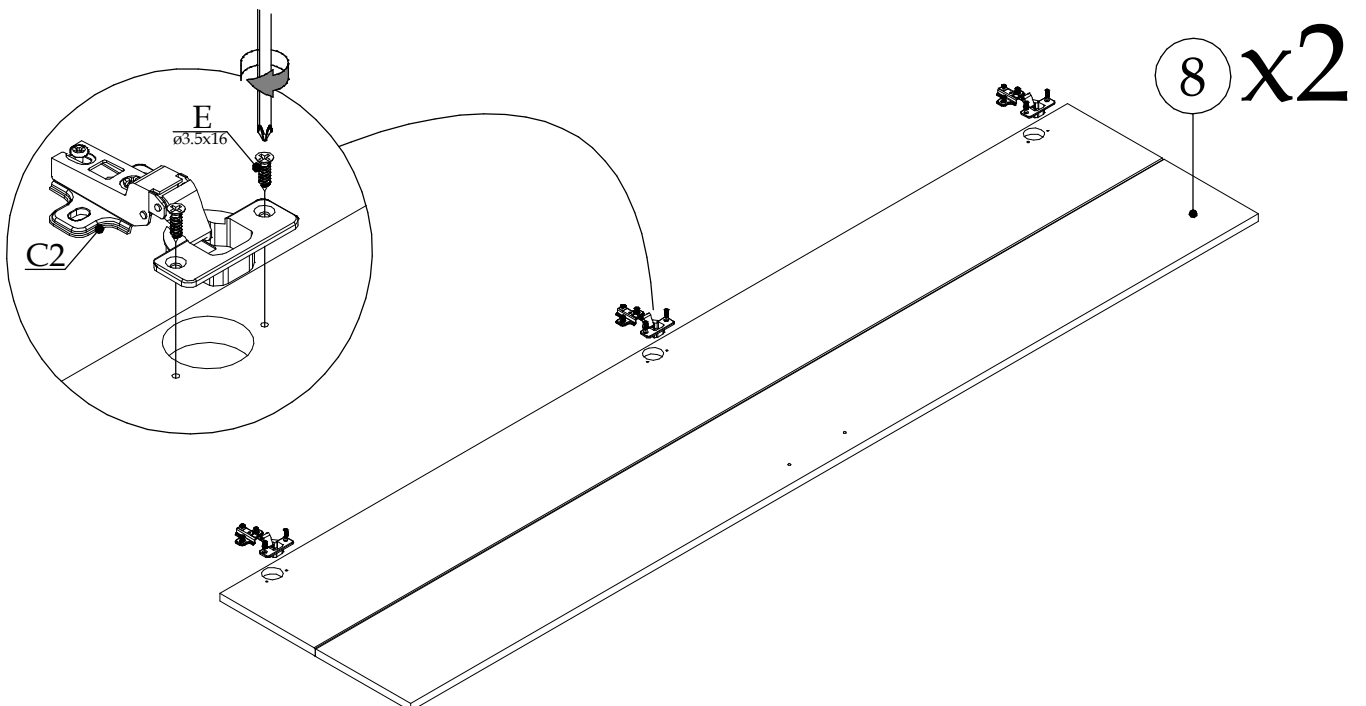
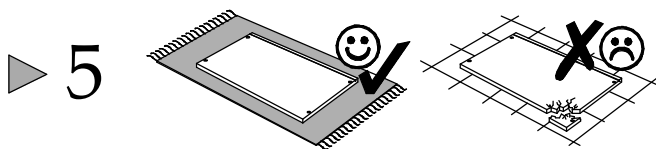
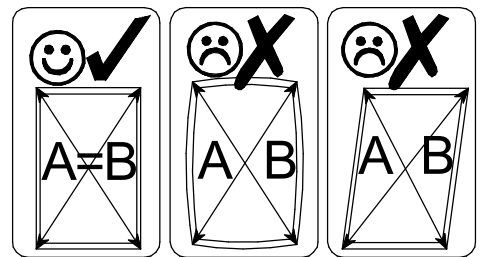
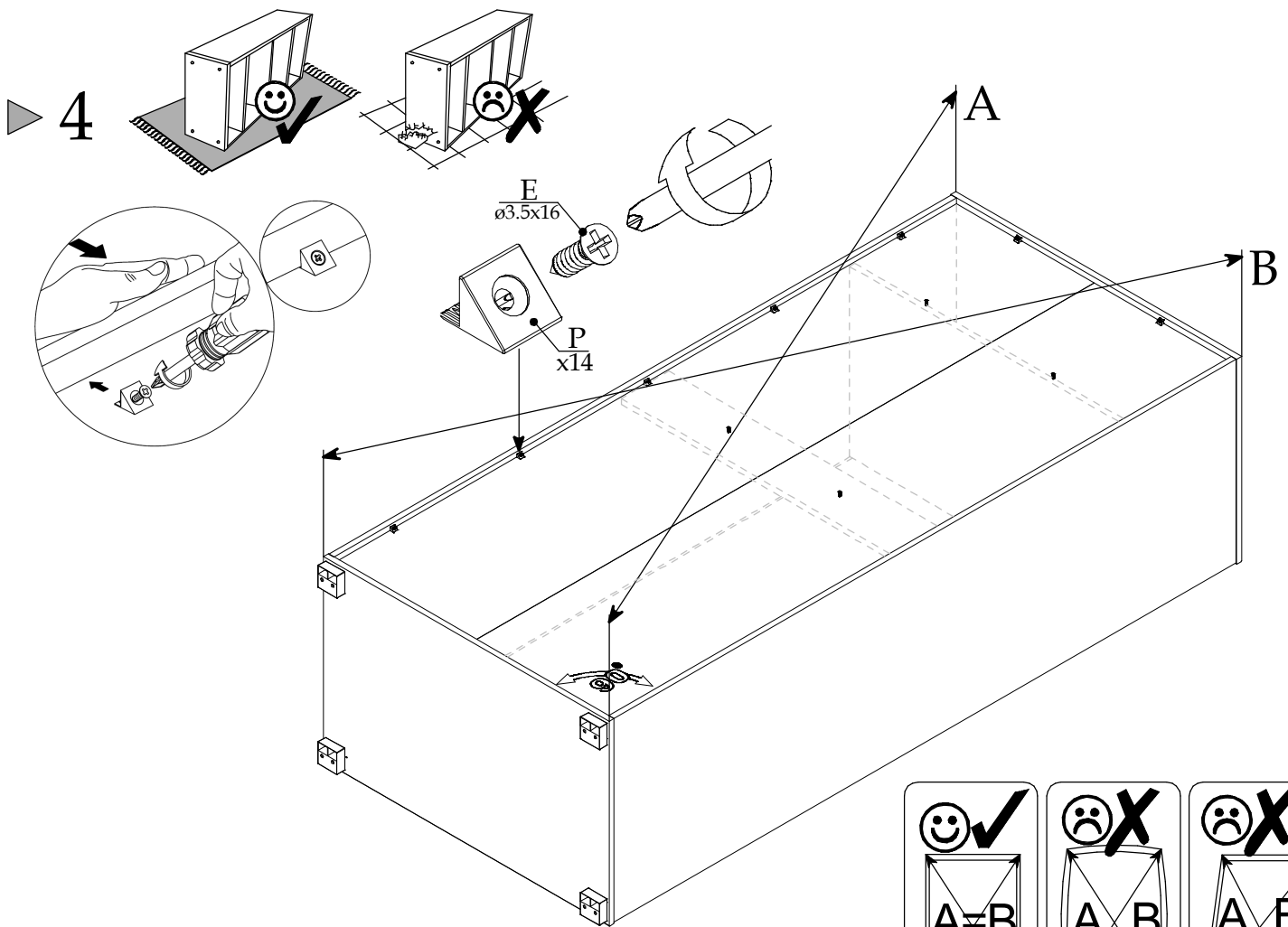


Element symbol	Measurements				Code	Paket
1	901	560	16	1	1002	1/2
2	901	560	16	1	1003	1/2
3	1963	557	16	1	1004	2/2
4	1963	557	16	1	1005	2/2
5	867	519.5	16	1	1031	1/2
6	867	116	16	1	1033	2/2
7	867	500	16	1		1/2
8	1958	440	16	2	3034	2/2
9	1977	881	3	1		2/2

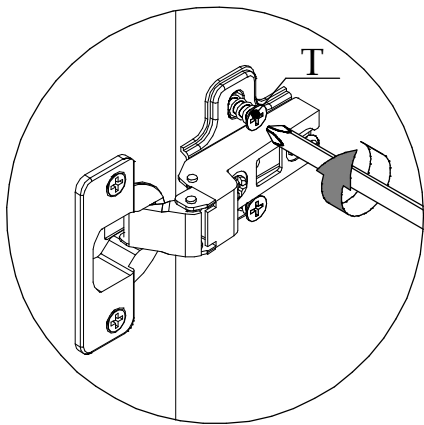
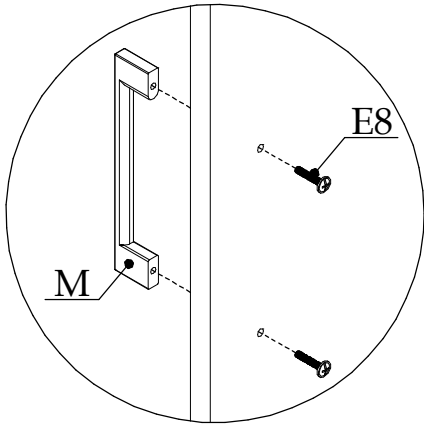
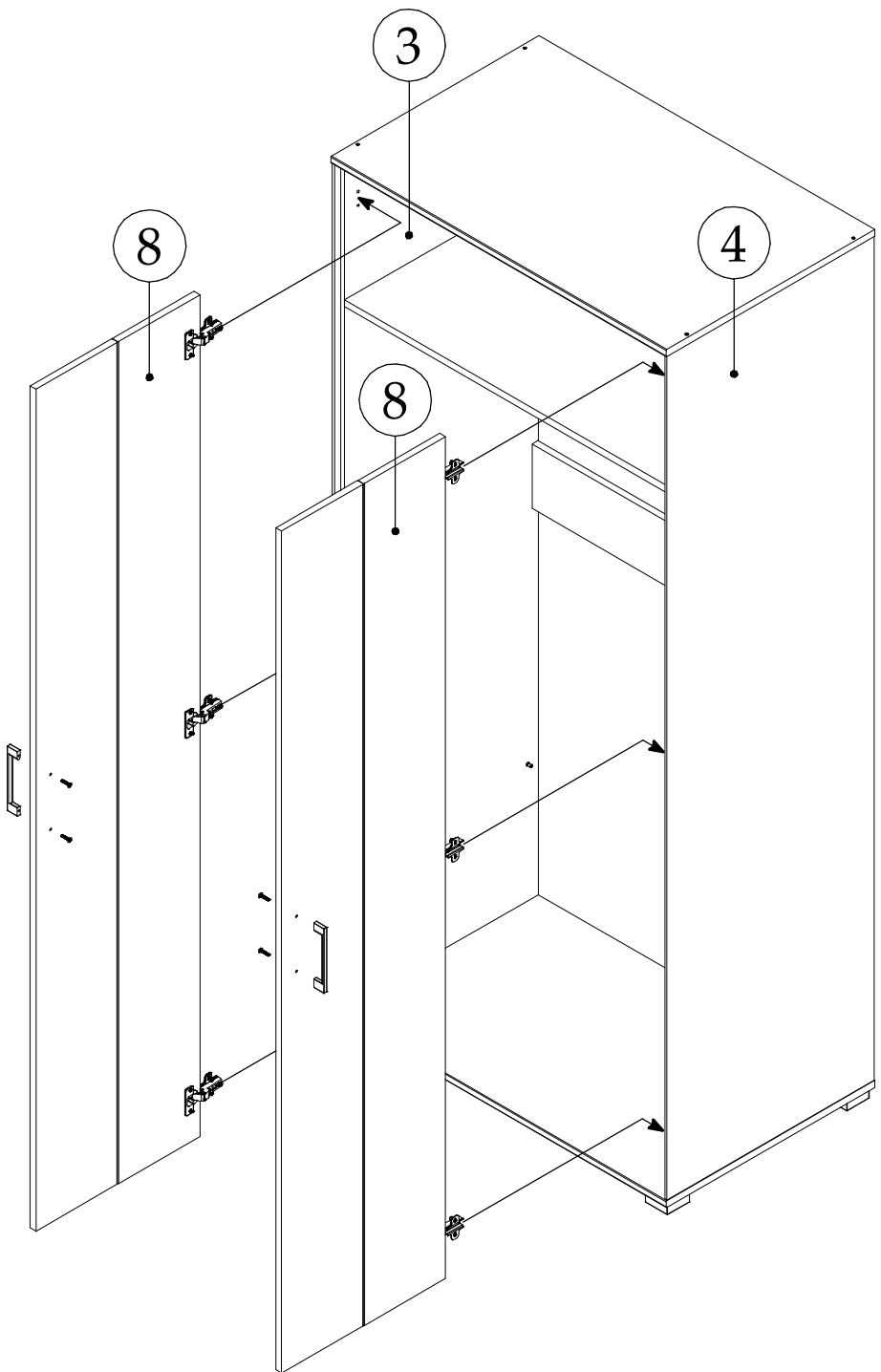






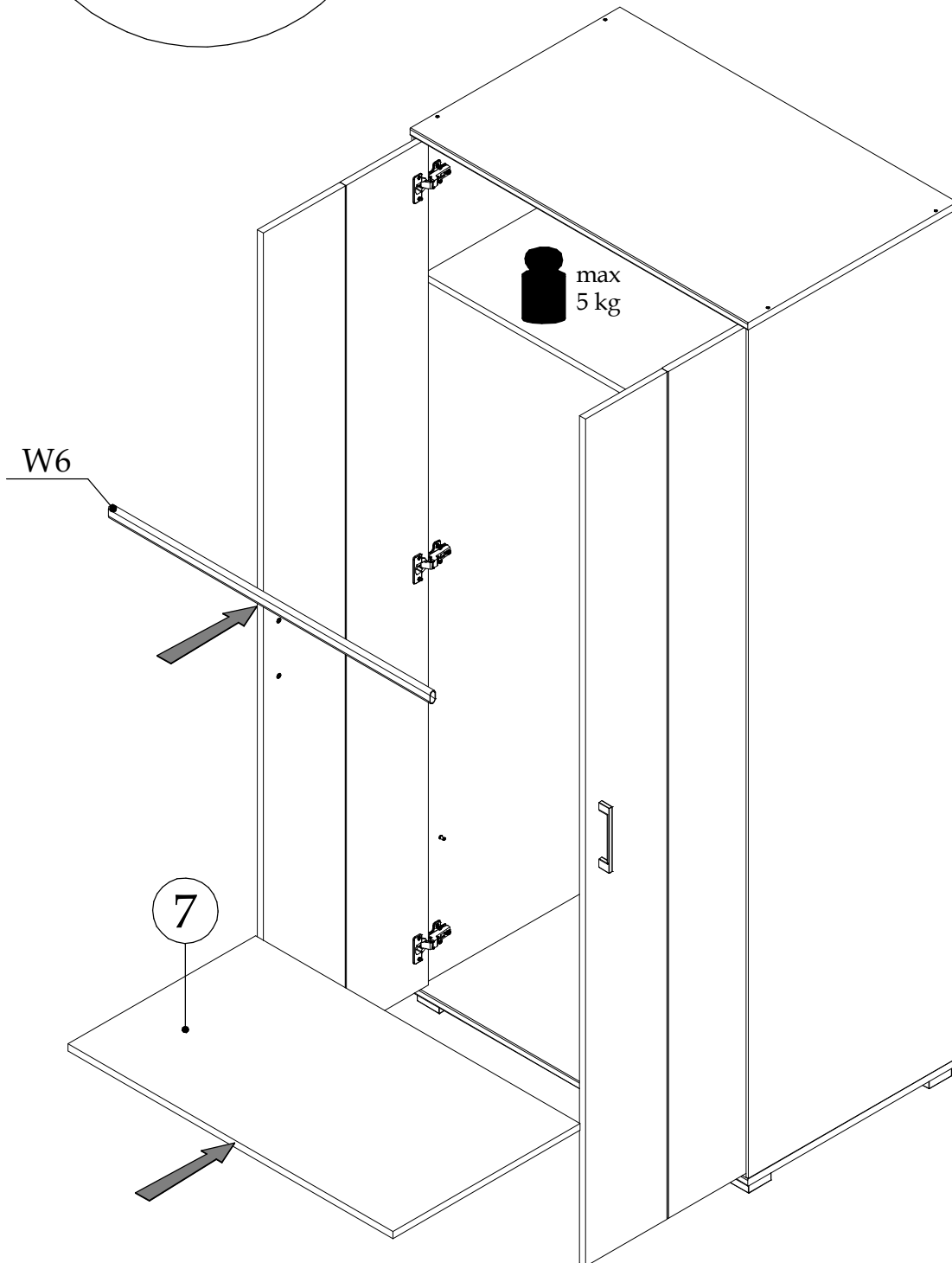
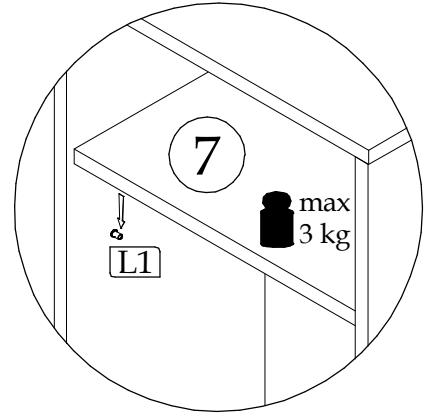
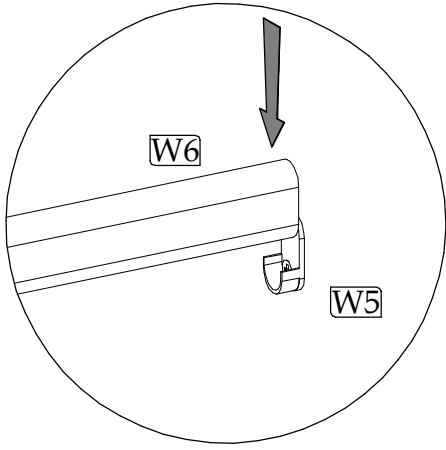


▶ 6



<p>+ 2 mm - 2 mm</p>	<p>+ 3 mm - 1 mm</p>	<p>+ 5 mm - 1,5 mm</p>

▶ 7



8

