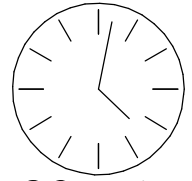
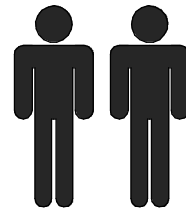
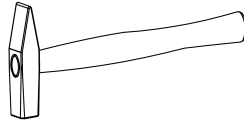
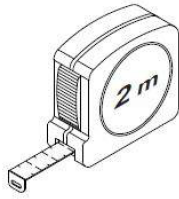
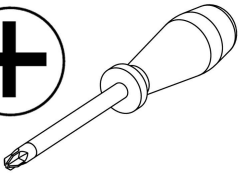
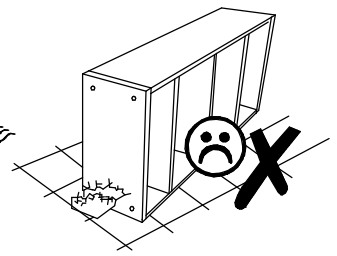
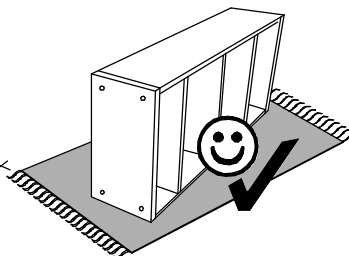
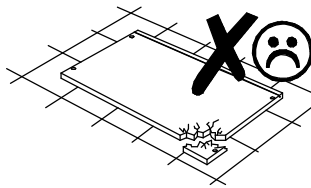
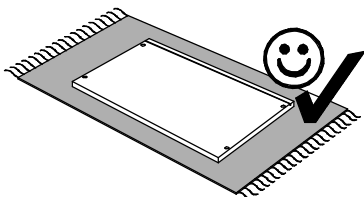
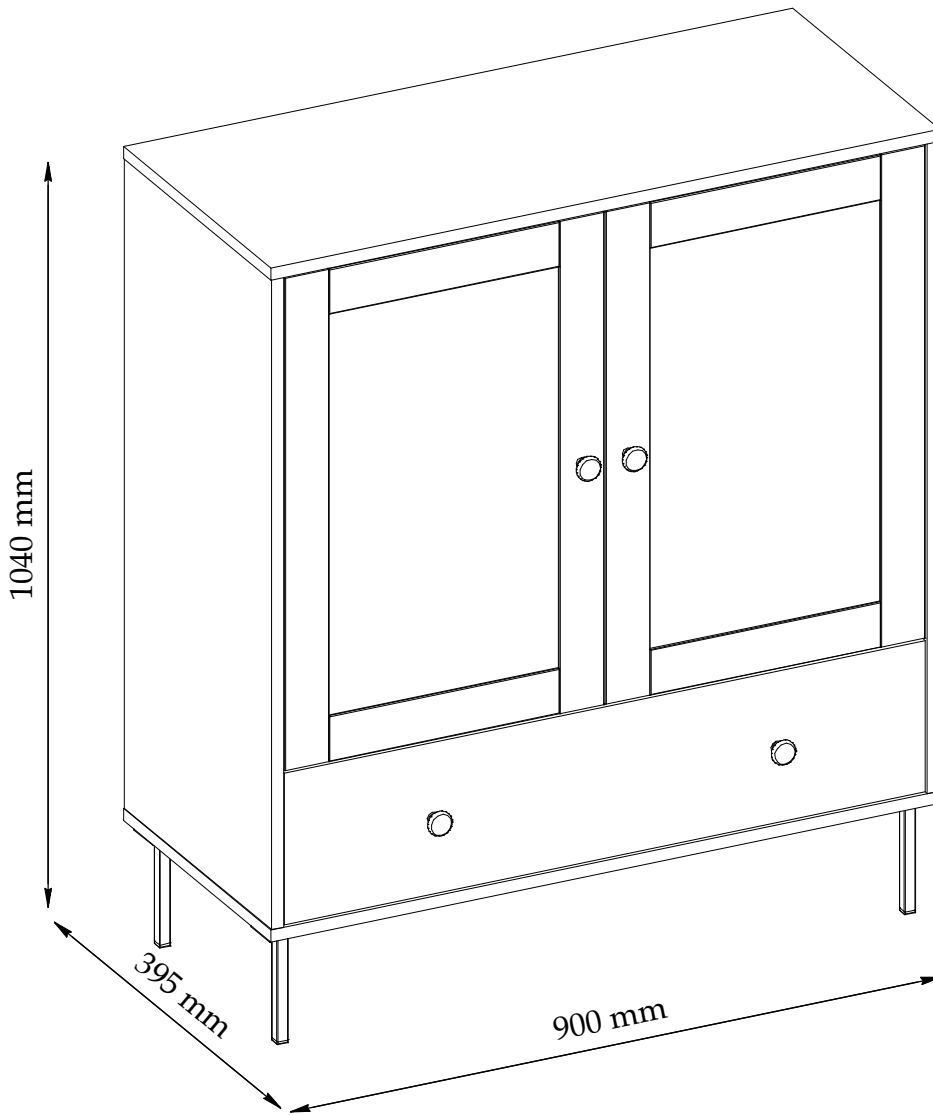
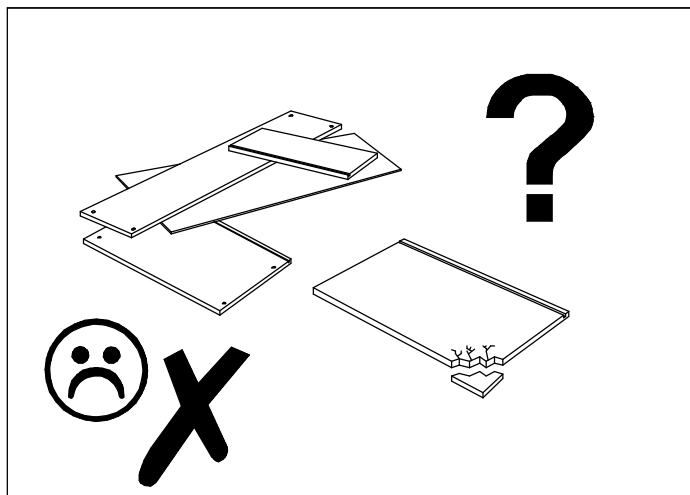
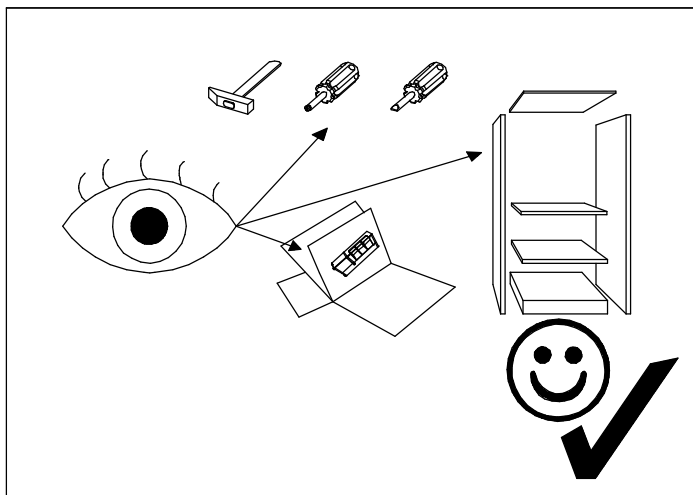
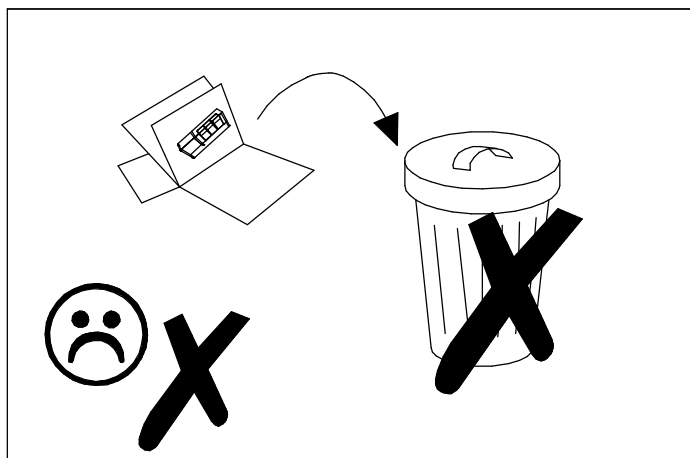
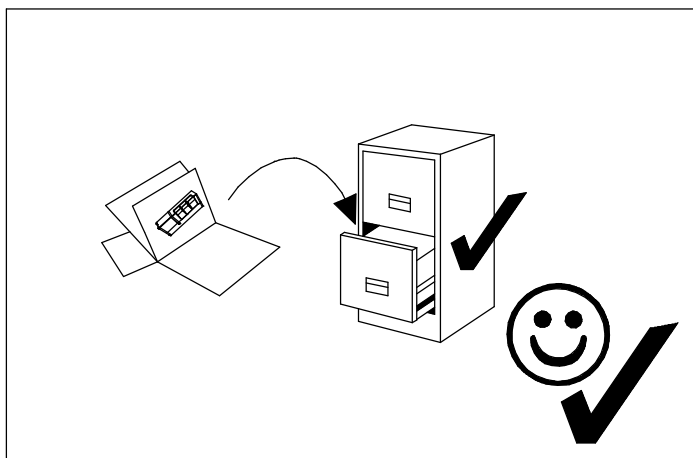
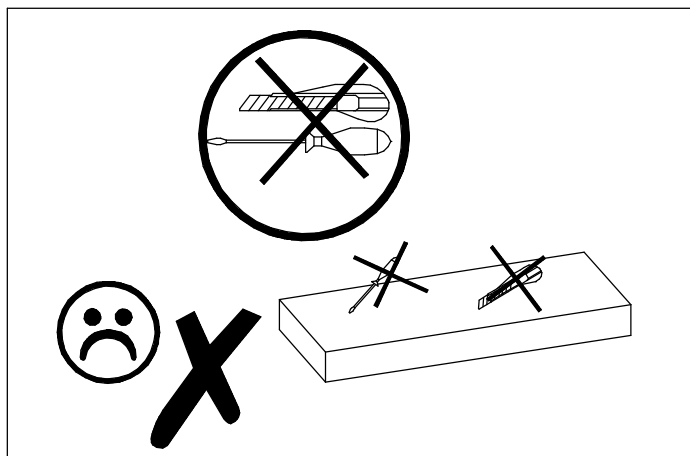
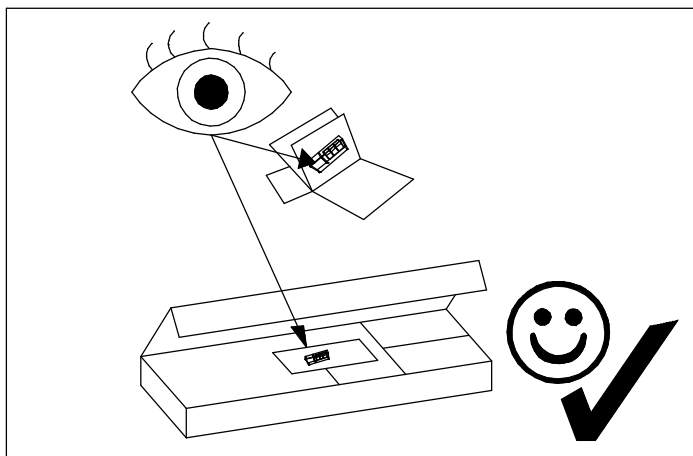


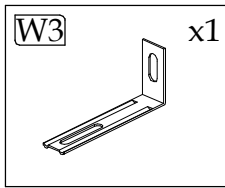
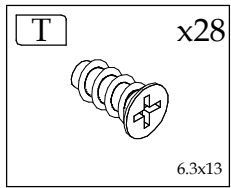
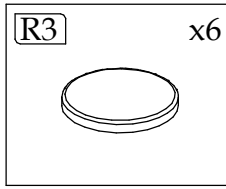
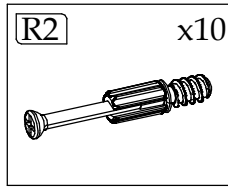
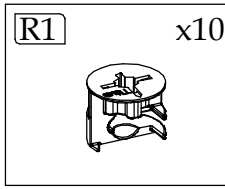
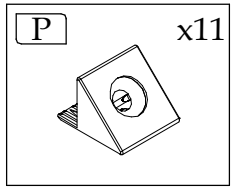
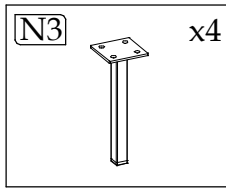
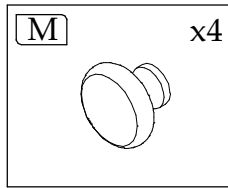
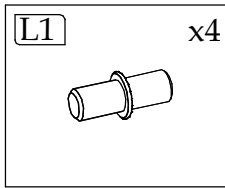
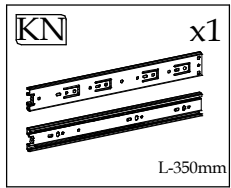
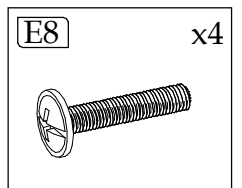
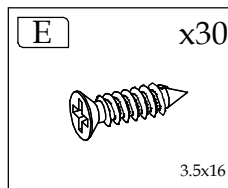
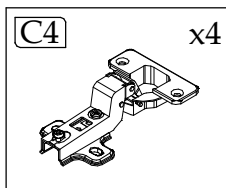
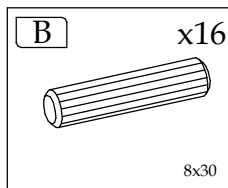
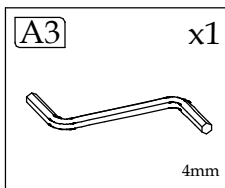
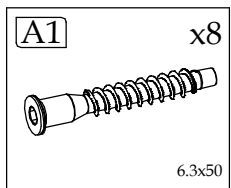
Kendo 13 commode 2d1s



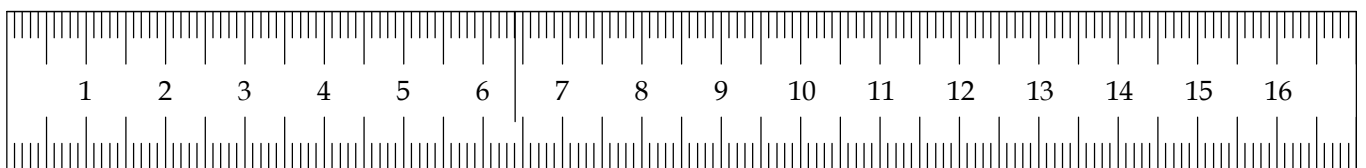
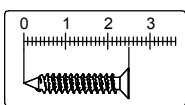
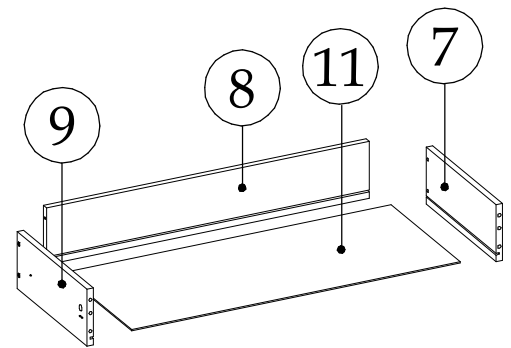
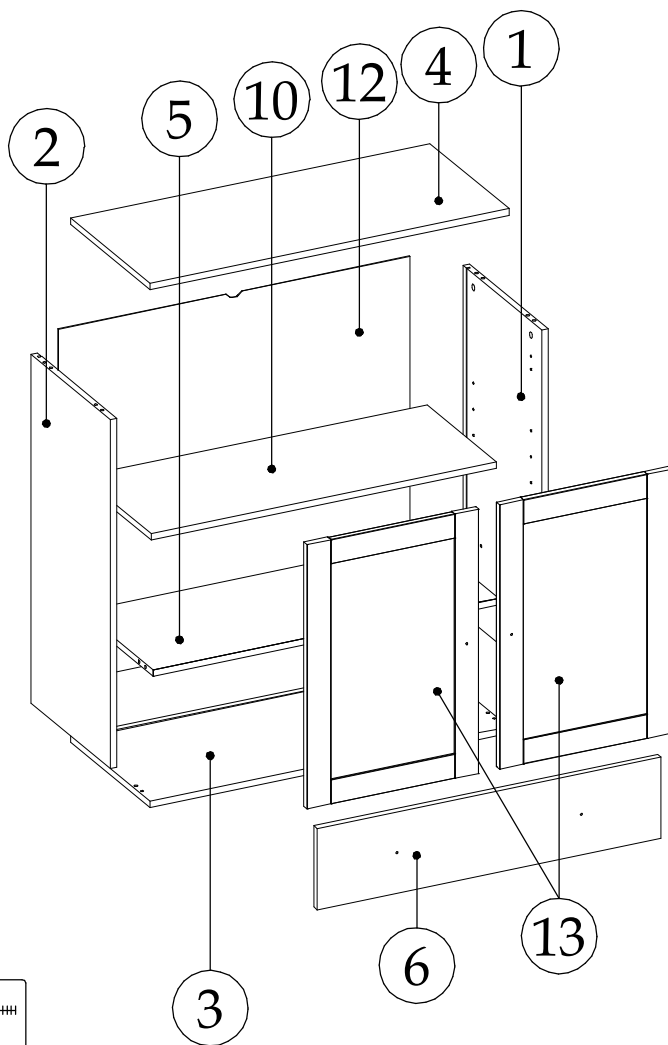
80 min

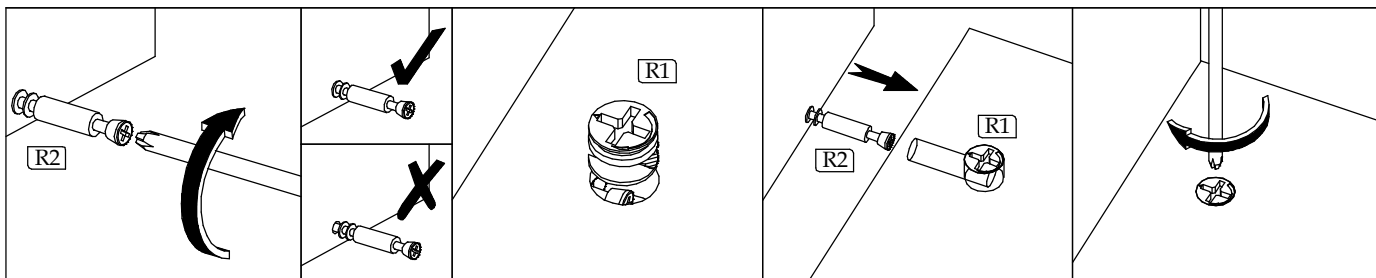




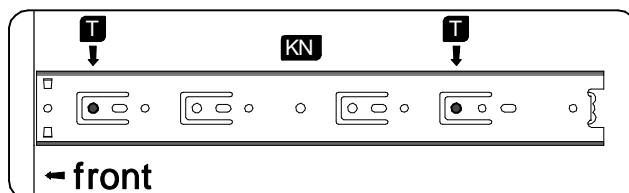
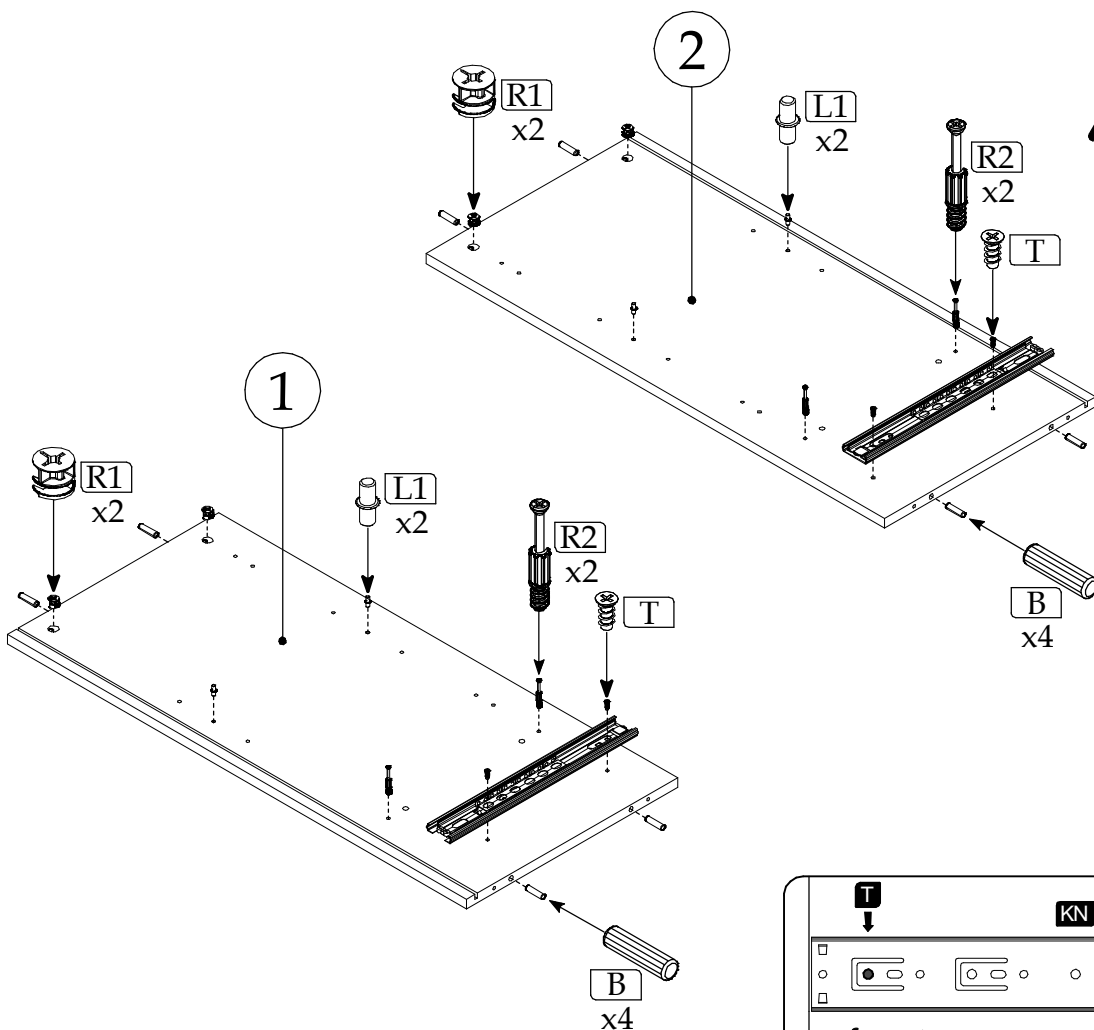
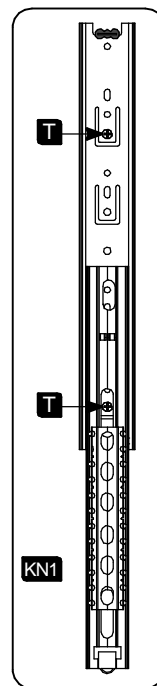
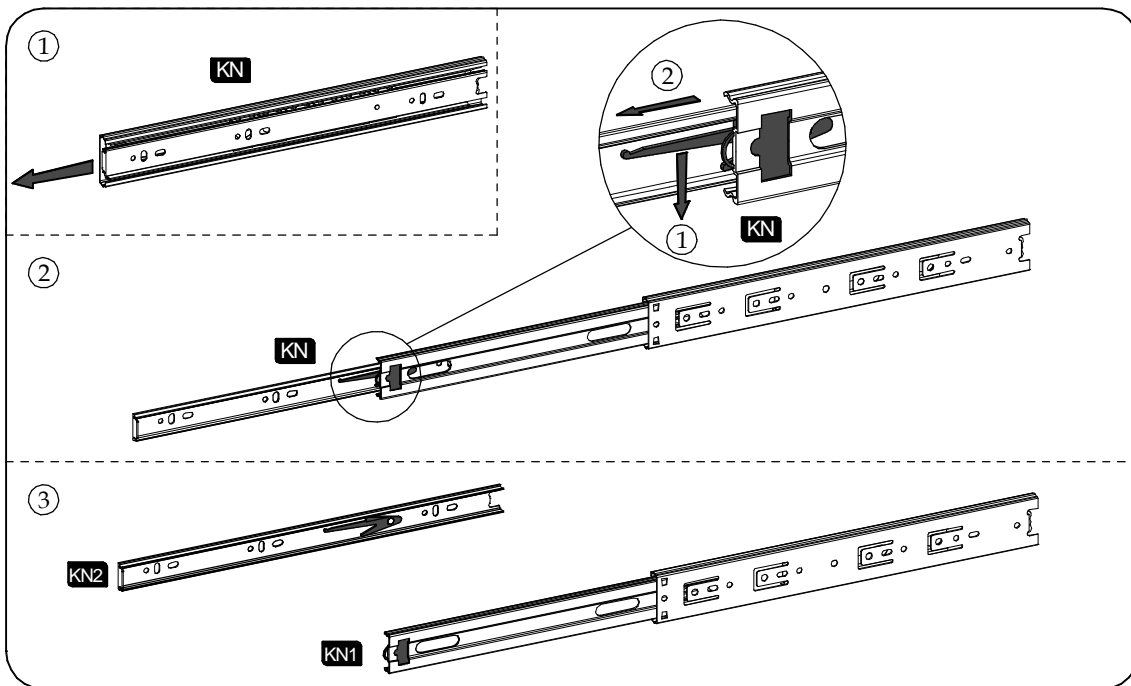


Element symbol	Measurements				Code	Paket
	1	2	3	4		
1	858	394.5	16	1	1001	2/2
2	858	394.5	16	1	1002	2/2
3	900	395	16	1	1003	1/2
4	900	395	16	1	1004	1/2
5	866	357.5	16	1	1014	1/2
6	862	200	16	1	1015	1/2
7	350	140	16	1	1016	1/2
8	808.5	140	16	1	1017	1/2
9	350	140	16	1	1018	1/2
10	866	345	16	1	N/A	1/2
11	822	346	3	1	N/A	1/2
12	880	872	3	1	1006	1/2
13	650	430	16	2	3001	2/2

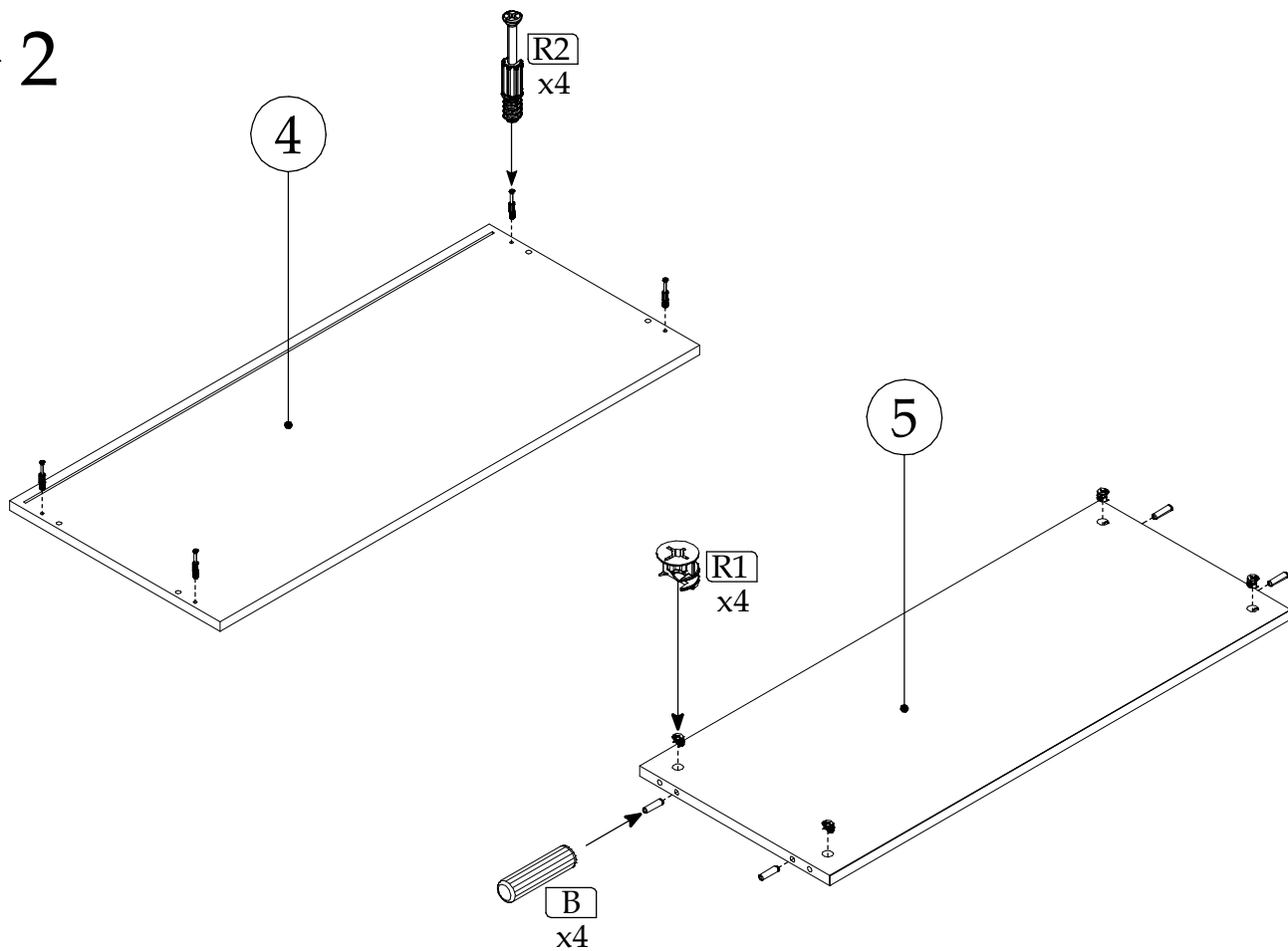




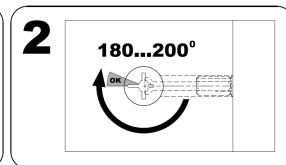
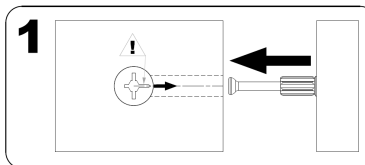
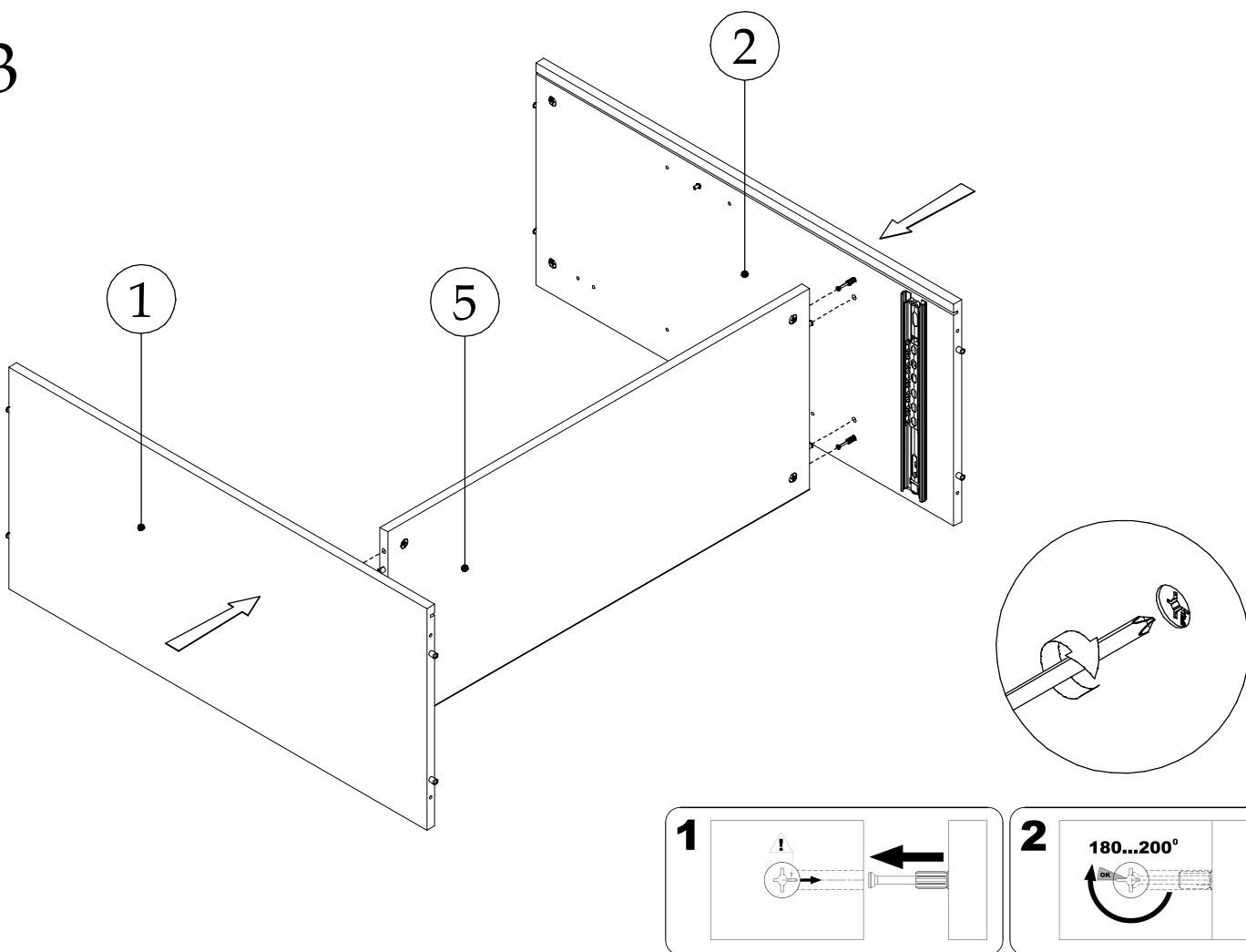
▶ 1



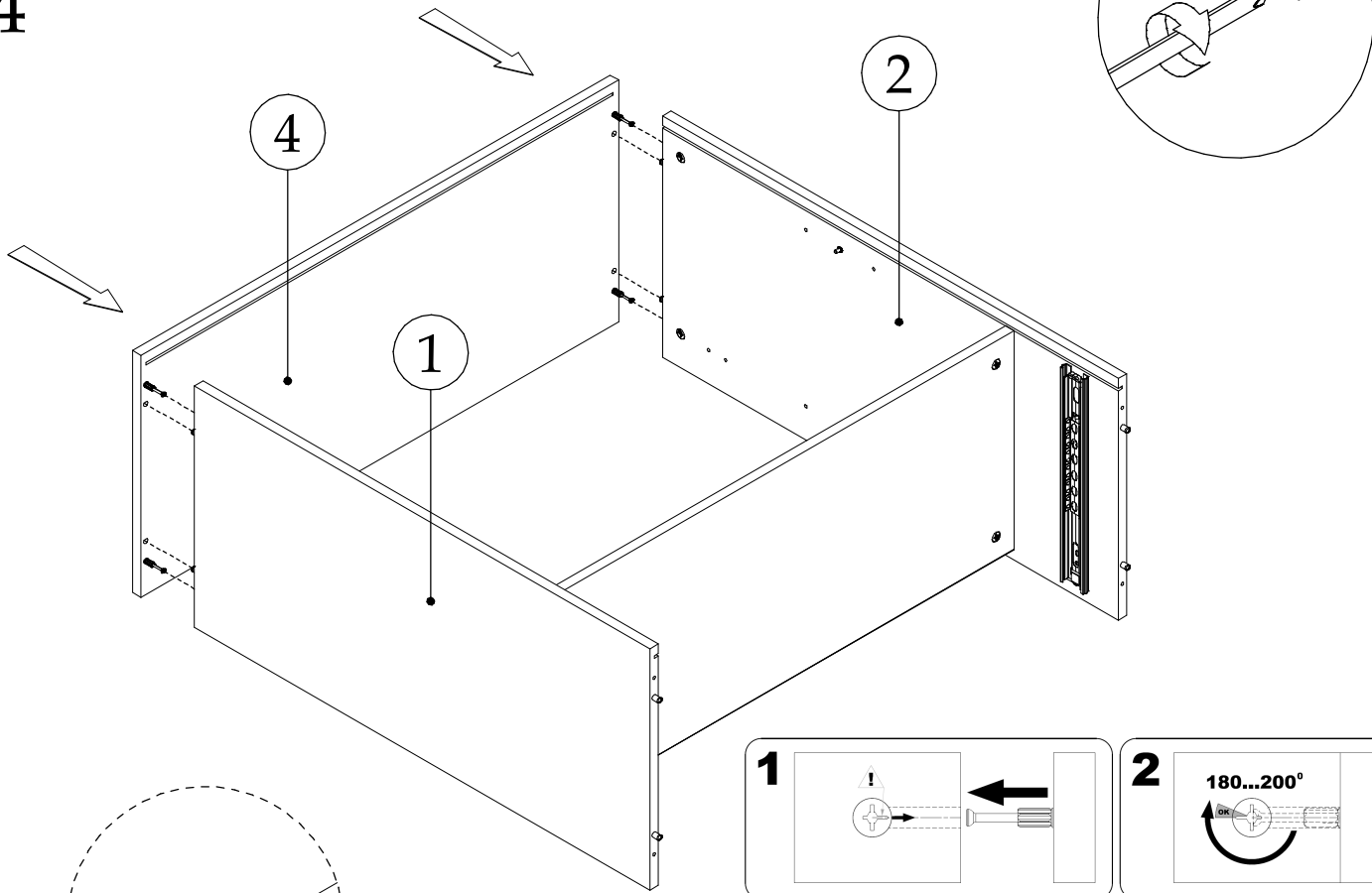
▶ 2



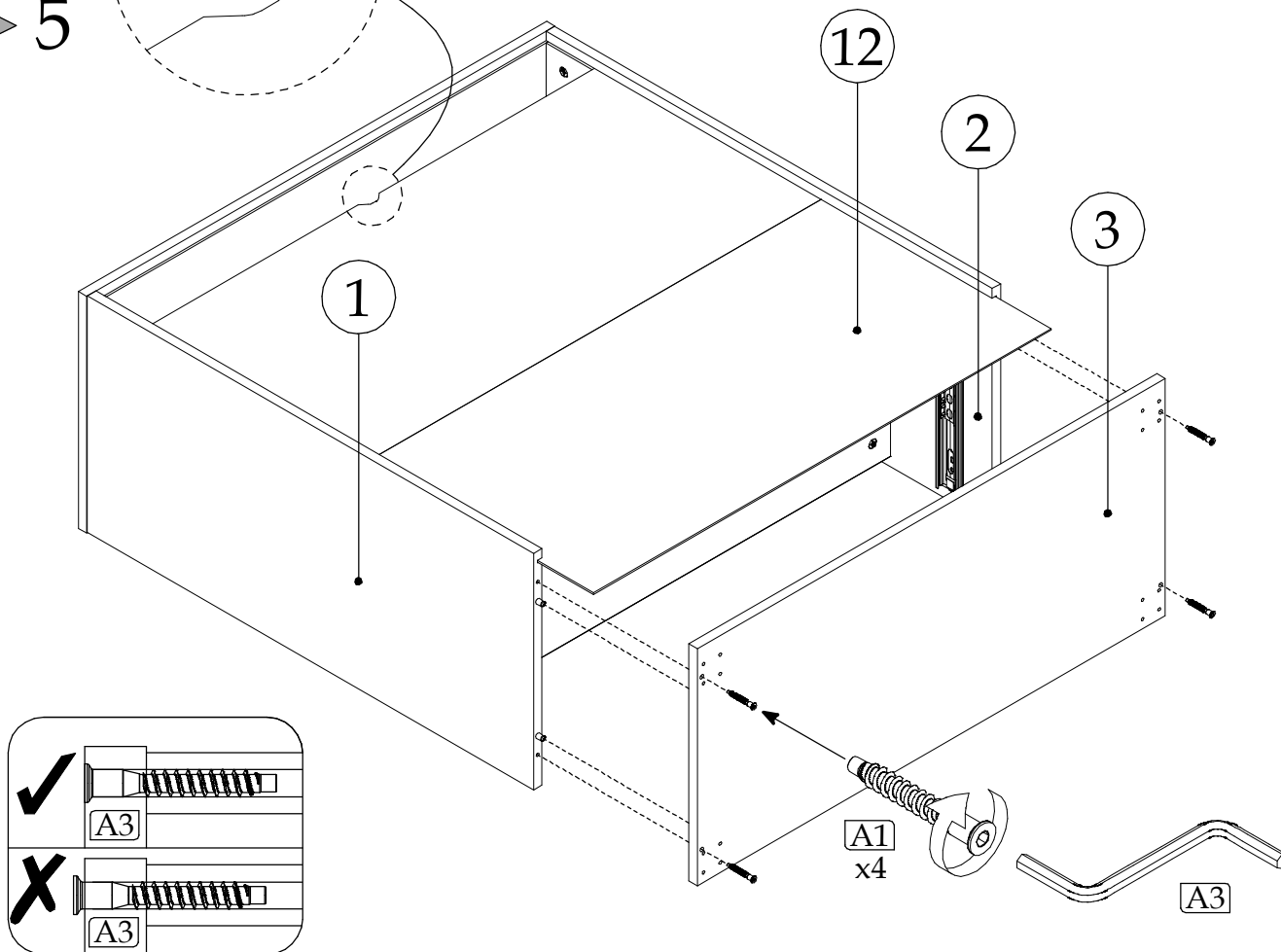
▶ 3



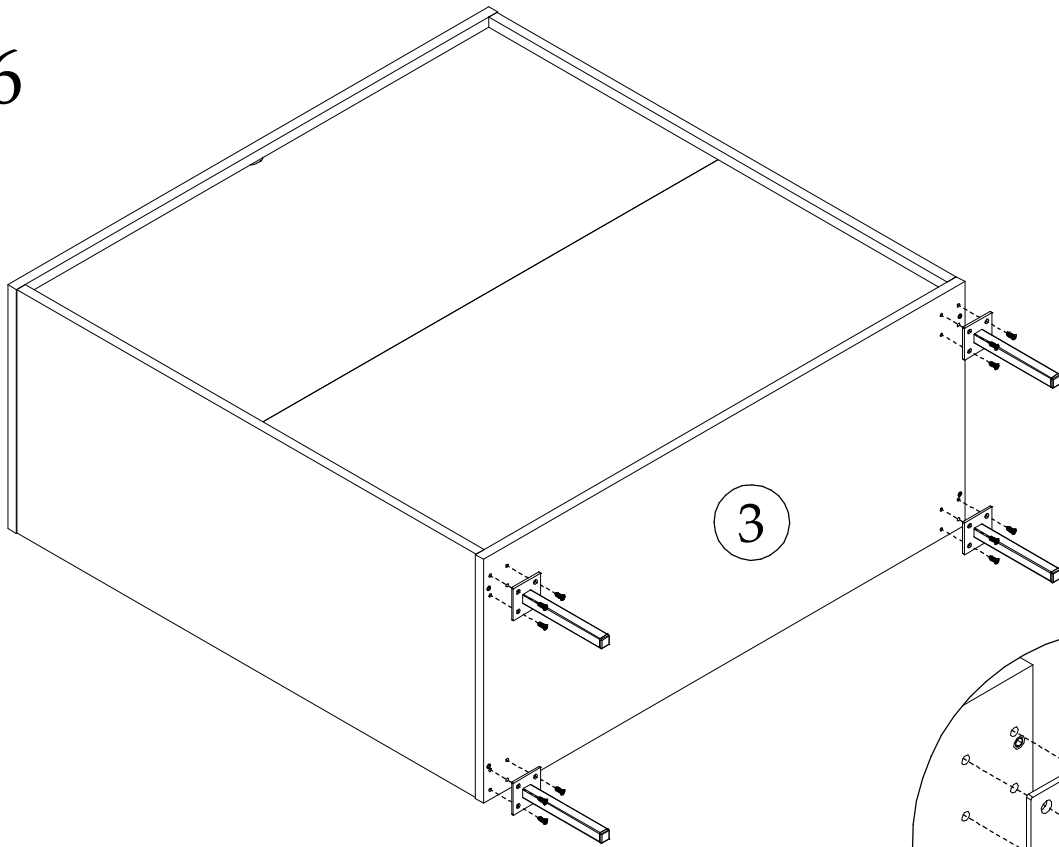
▶ 4



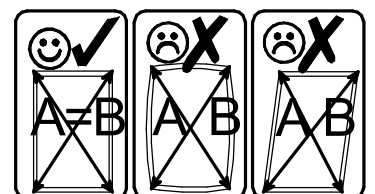
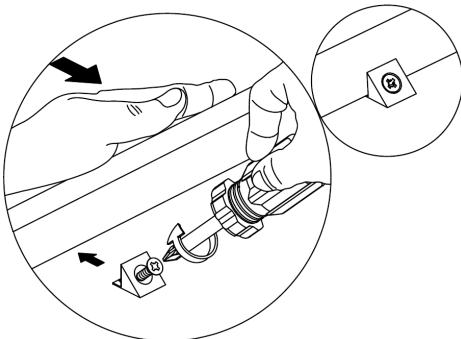
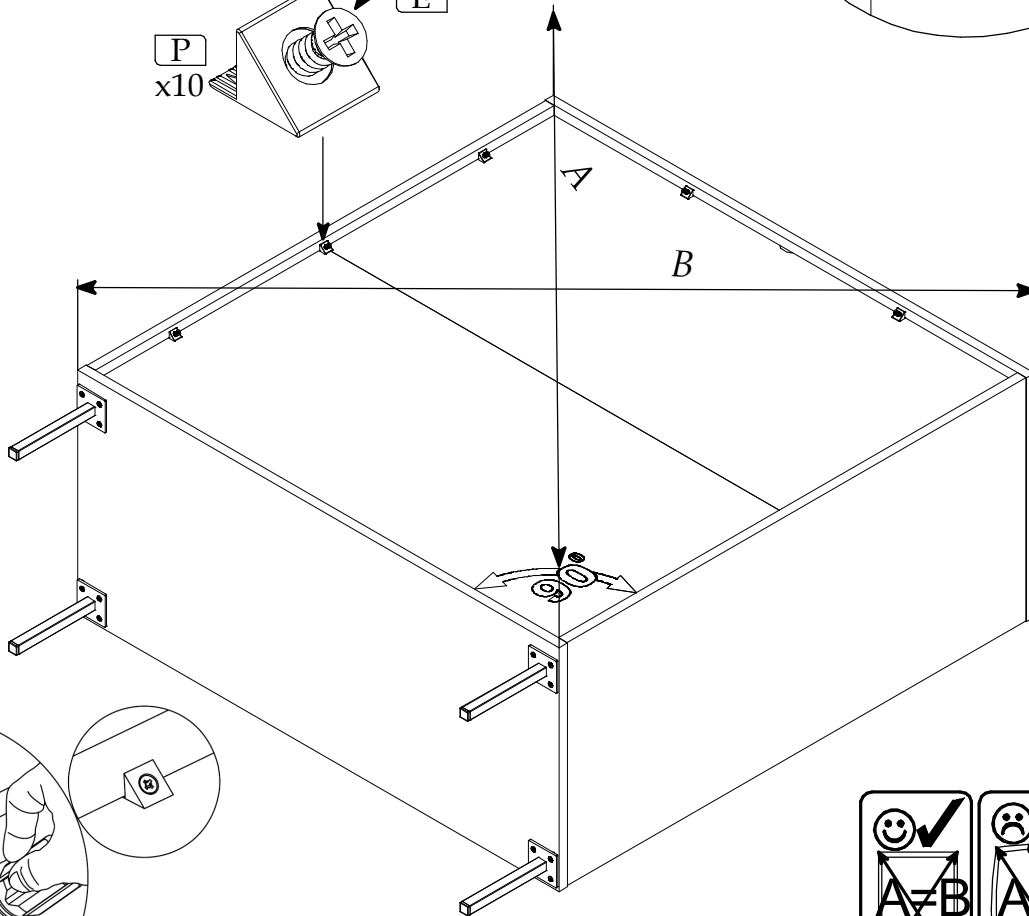
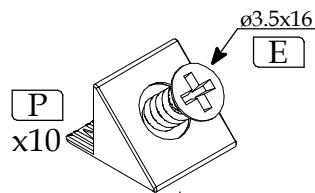
▶ 5



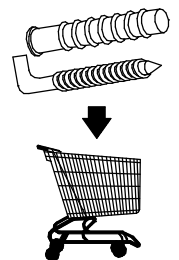
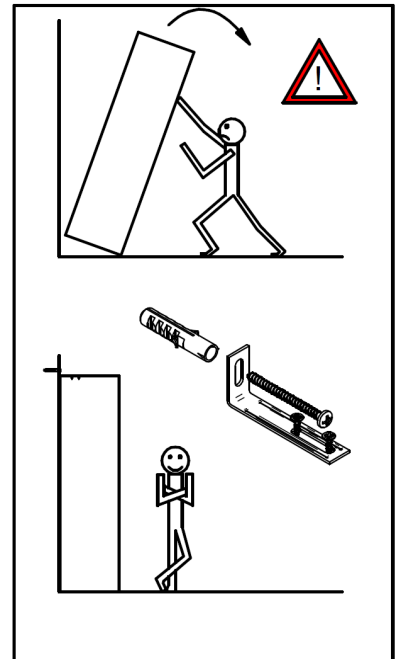
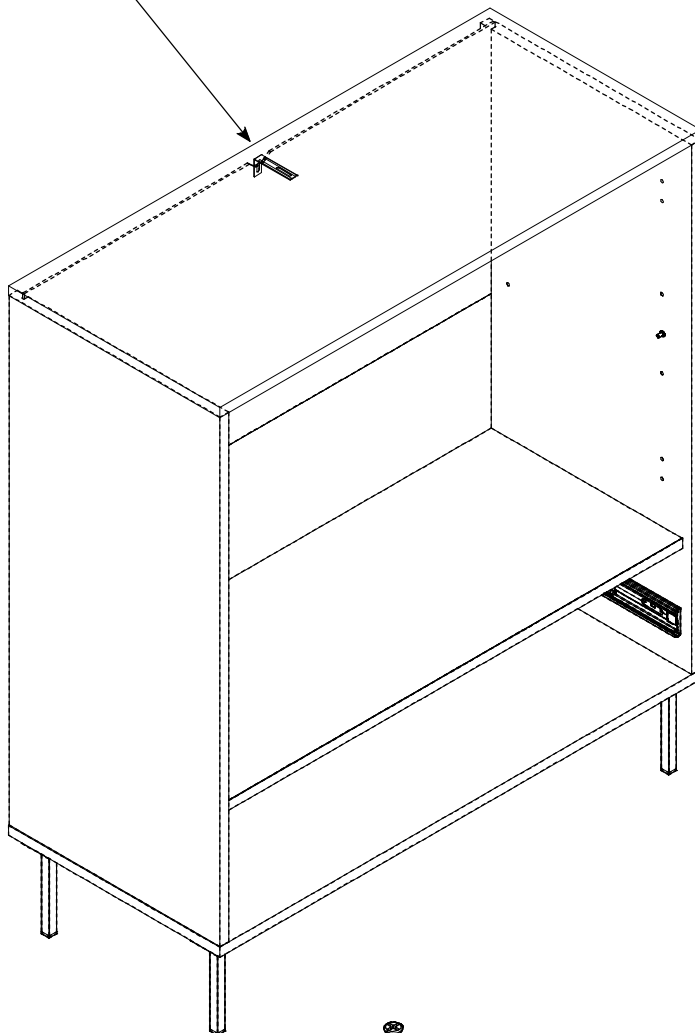
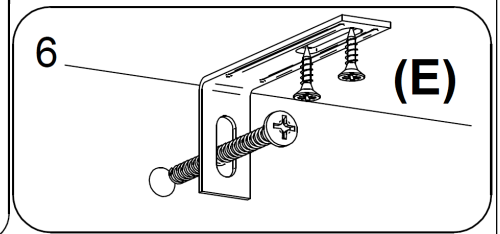
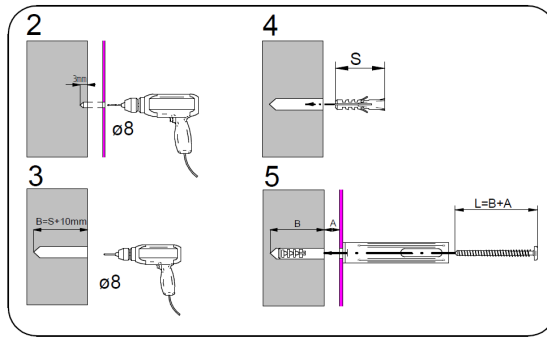
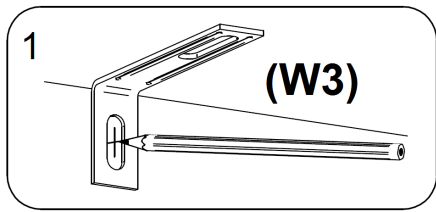
▶ 6



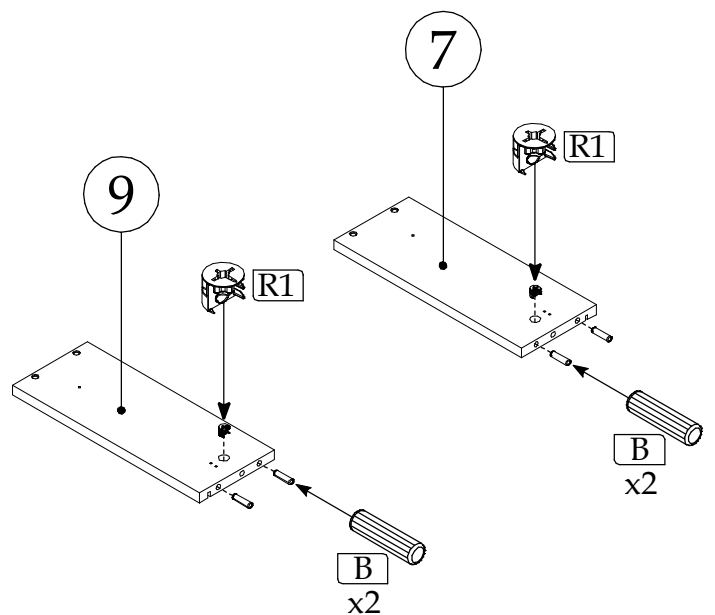
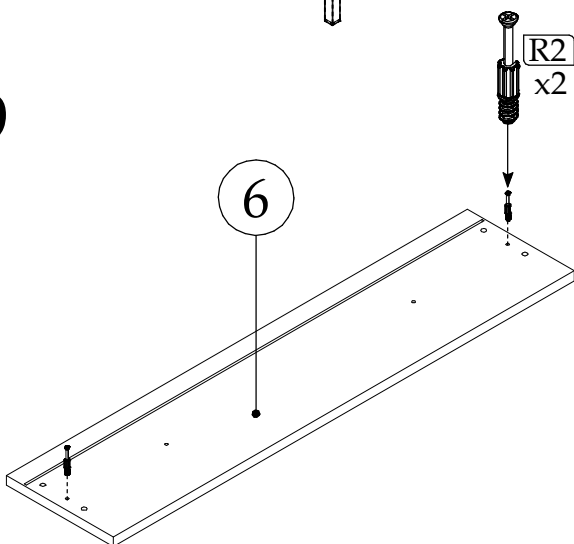
▶ 7



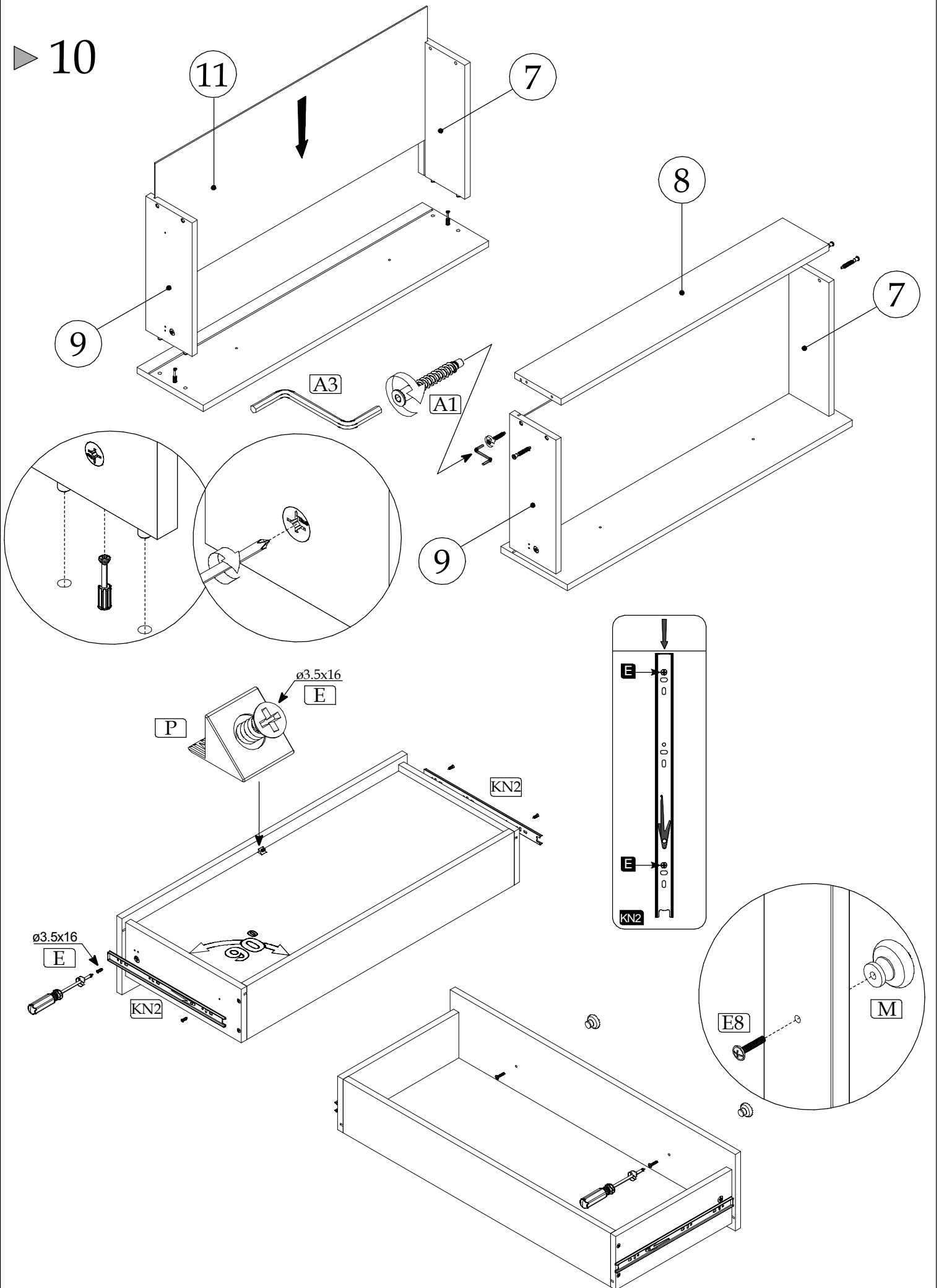
8



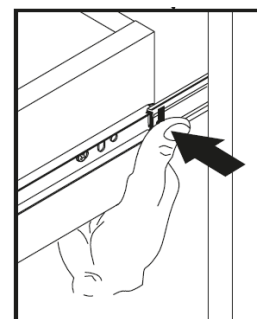
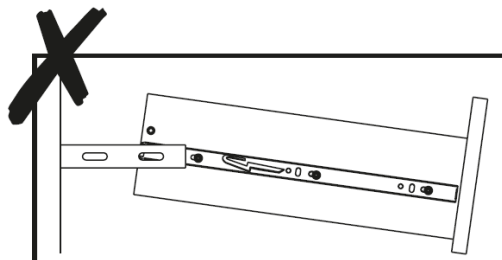
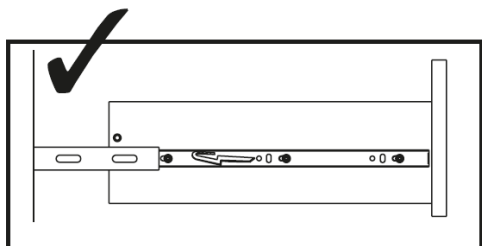
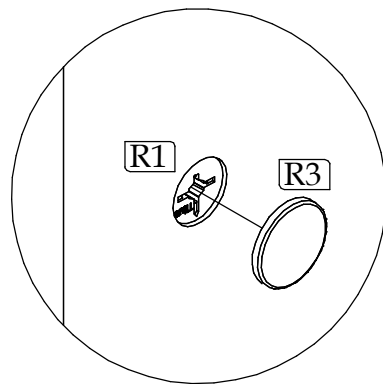
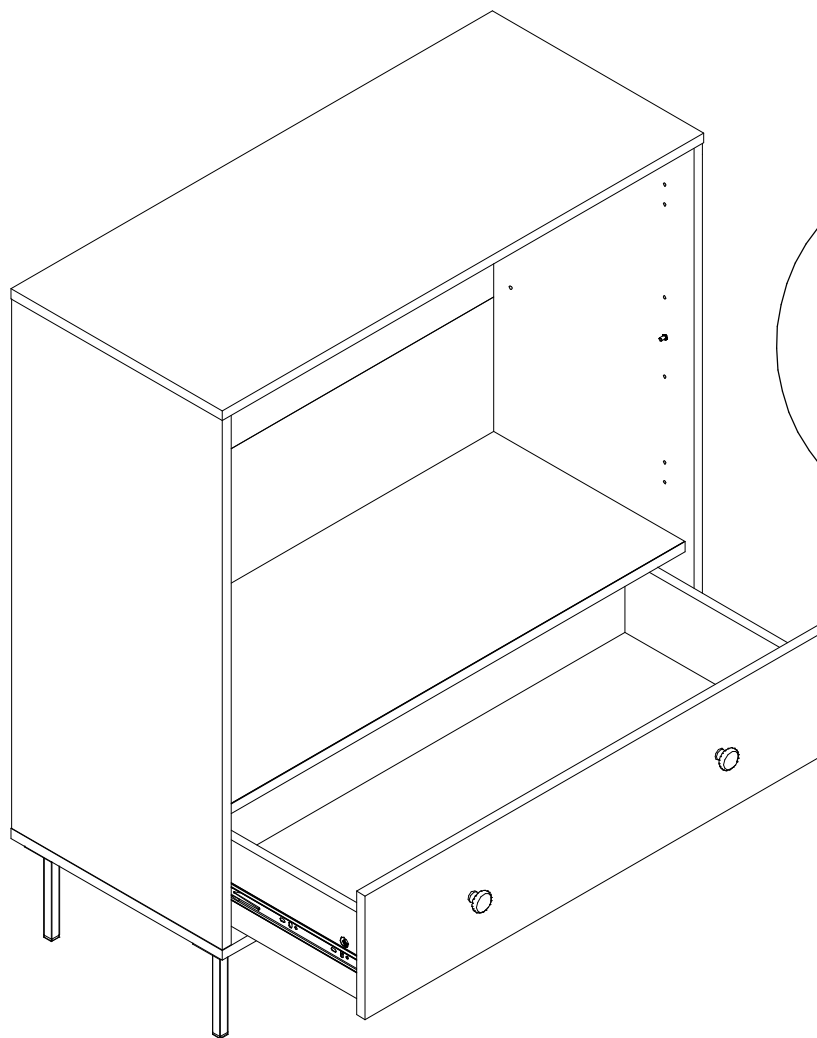
9



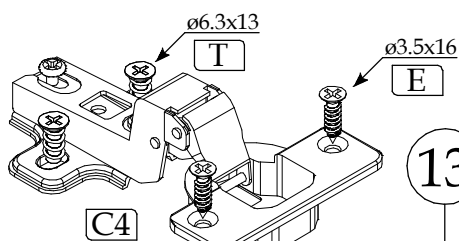
▶ 10



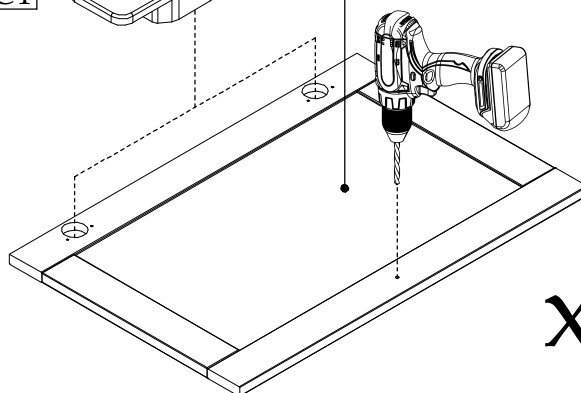
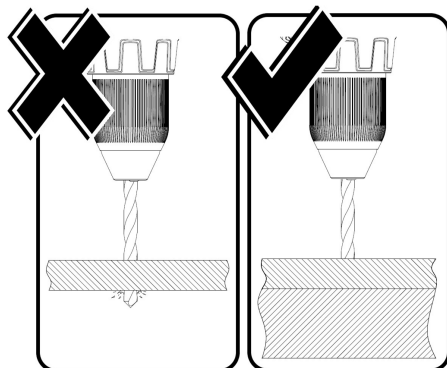
▶ 11



▶ 12

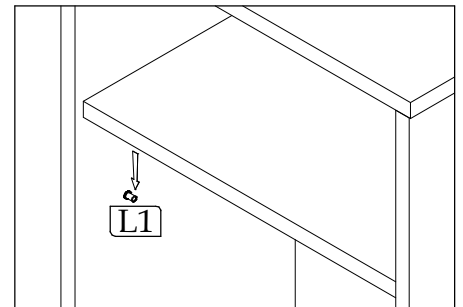
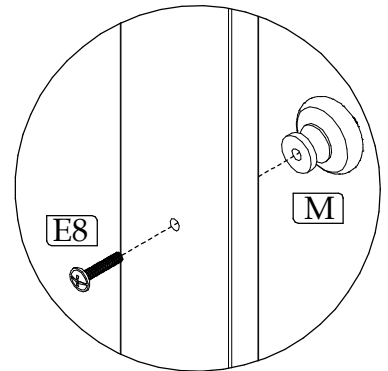
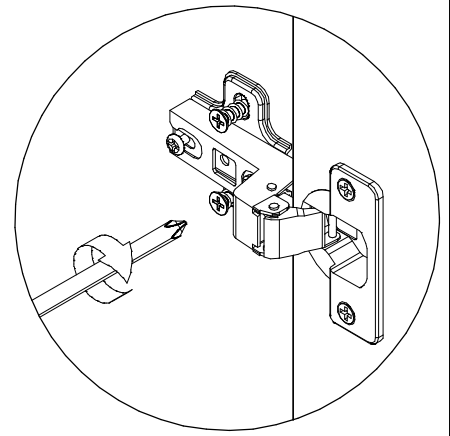
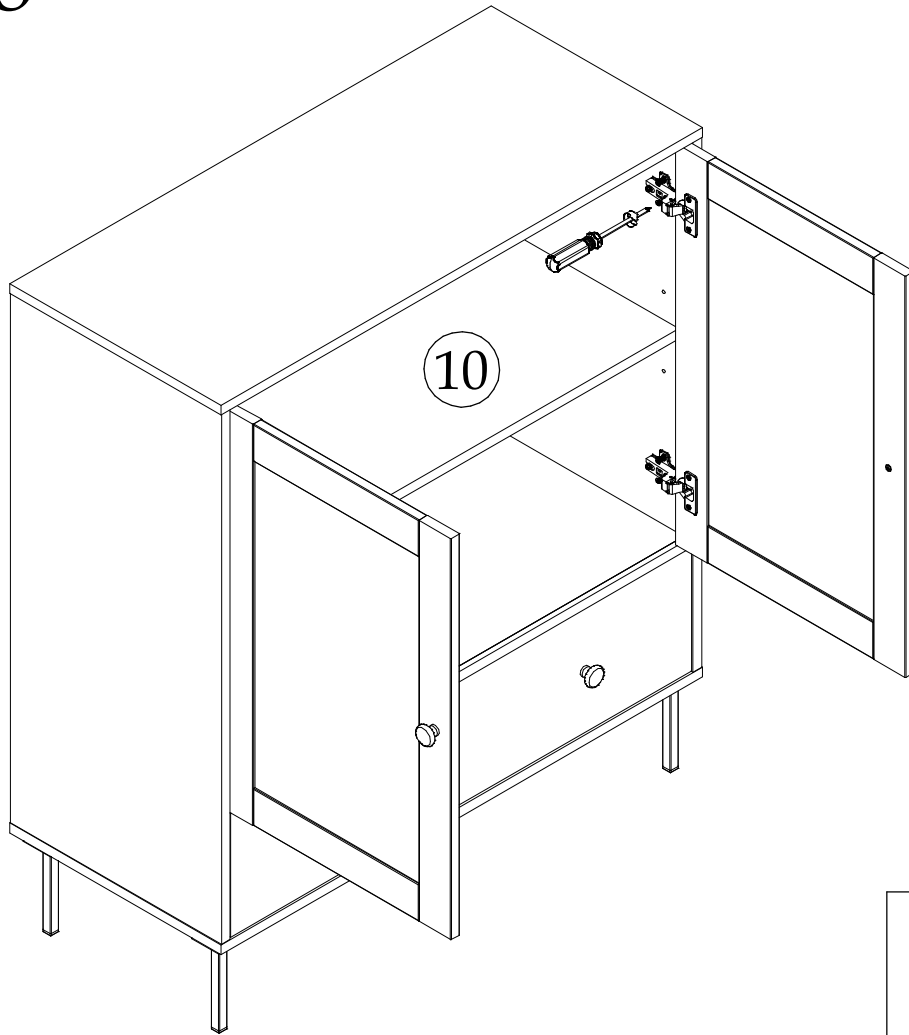


13



x2

► 13



<p>+ 2 mm - 2 mm</p>	<p>+ 3 mm - 1 mm</p>	<p>+ 5 mm - 1,5 mm</p>

