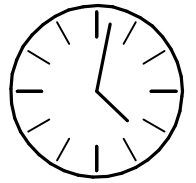
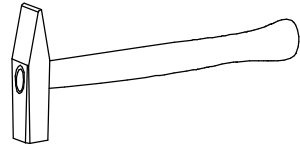
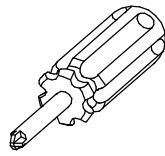
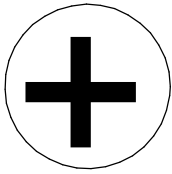
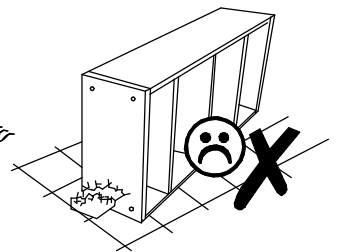
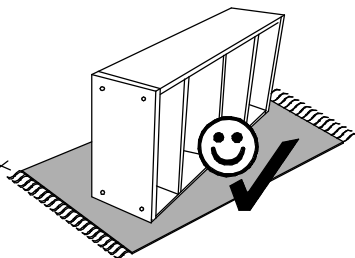
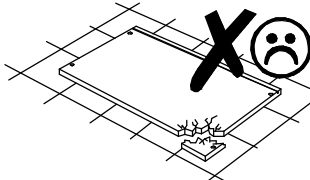
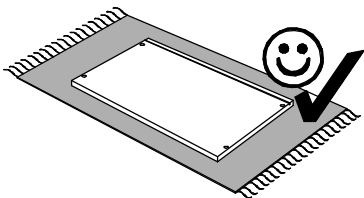
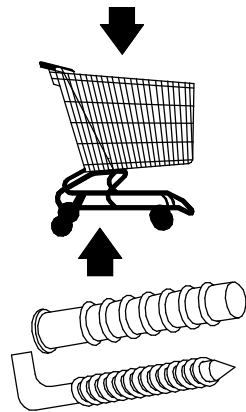
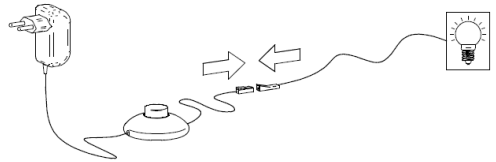
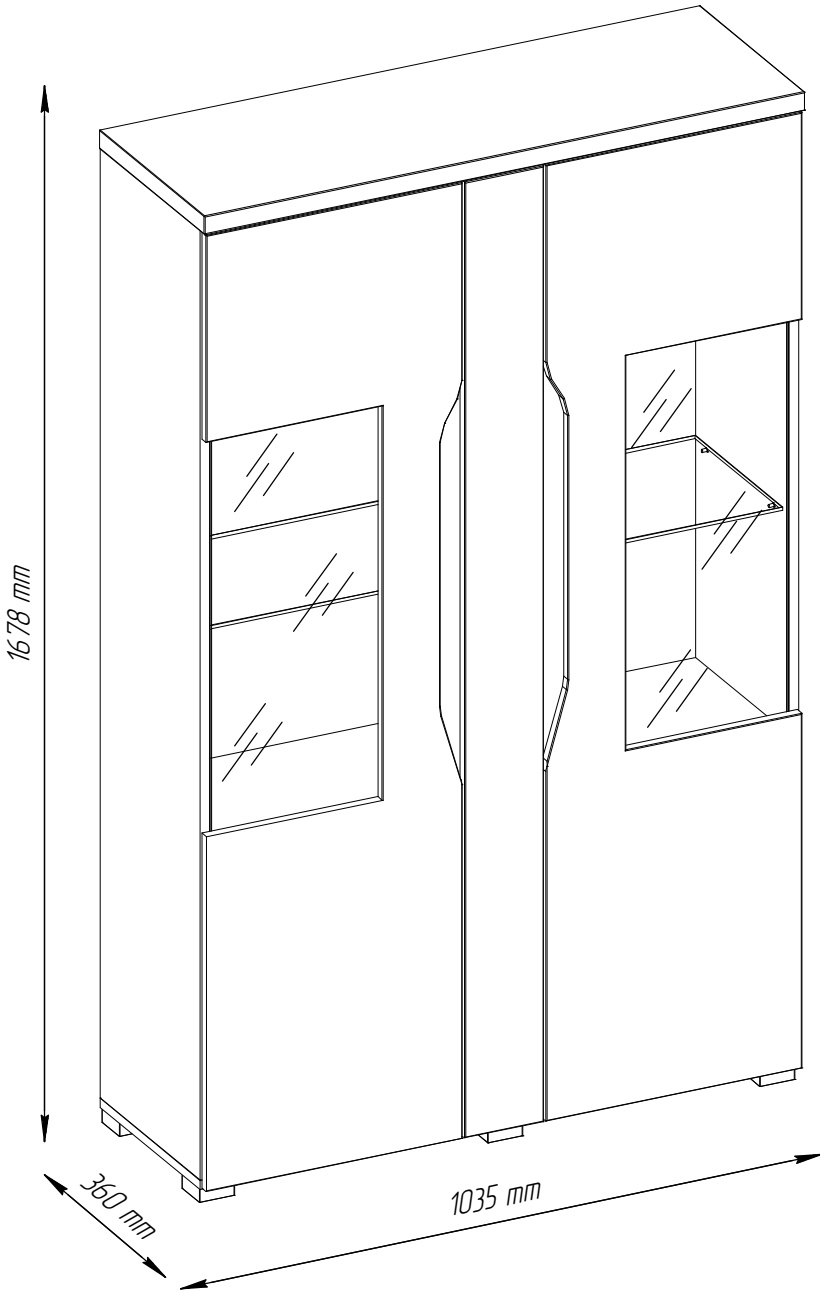
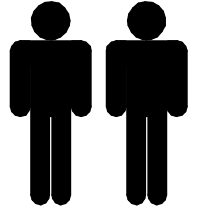
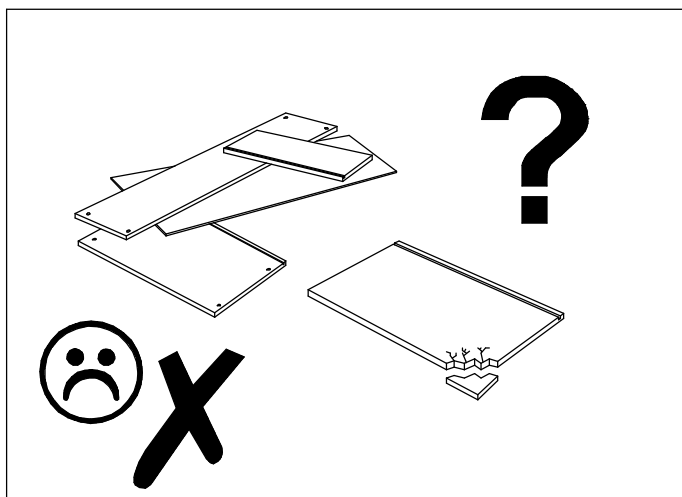
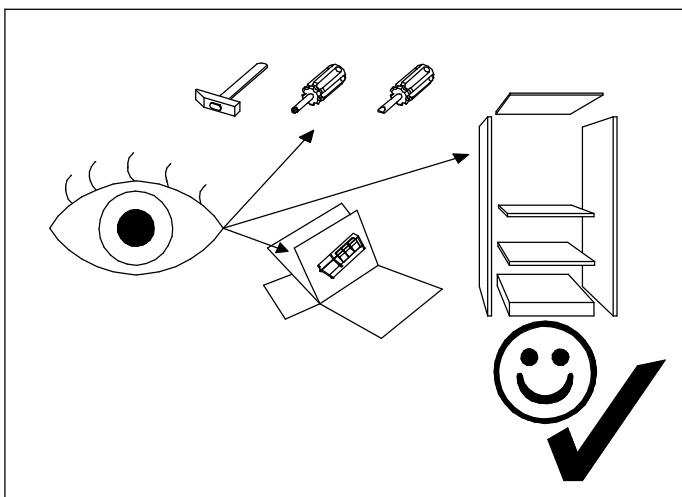
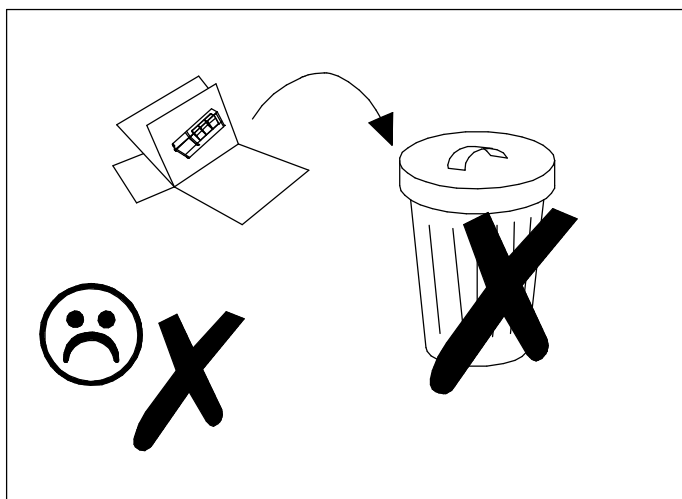
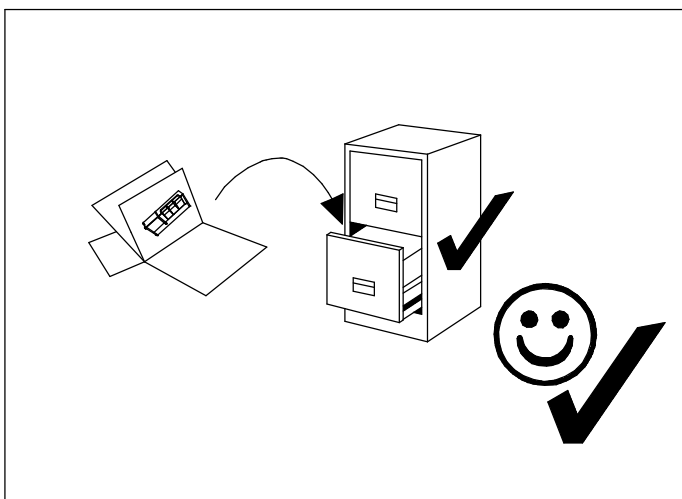
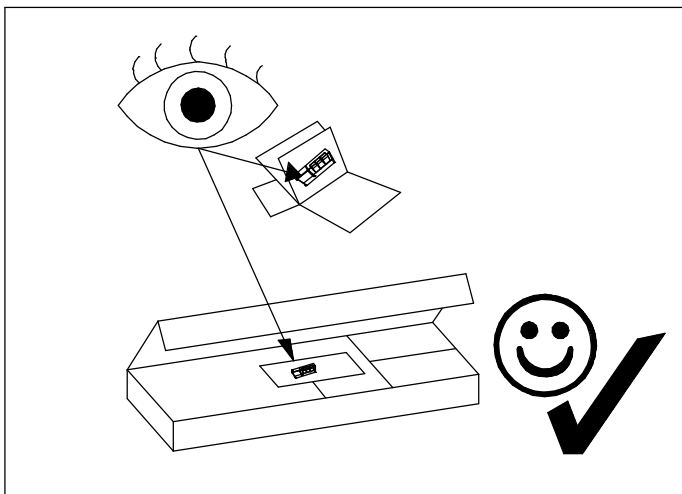


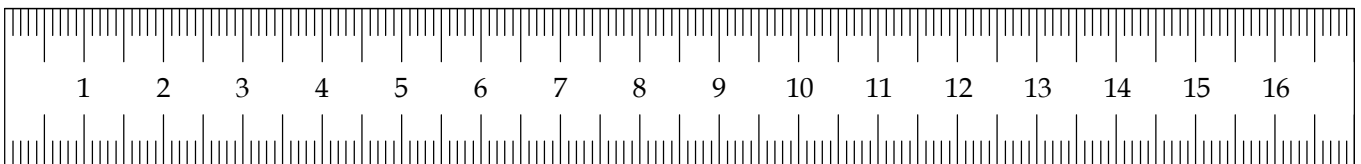
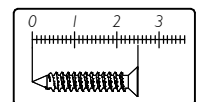
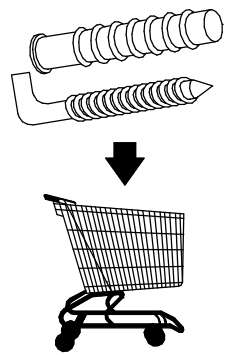
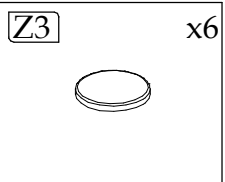
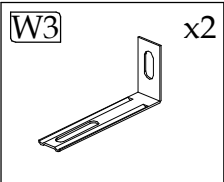
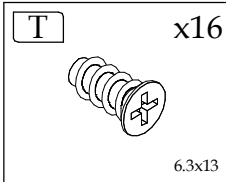
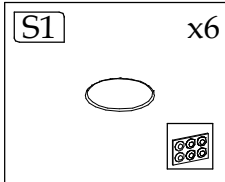
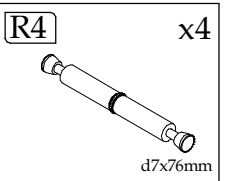
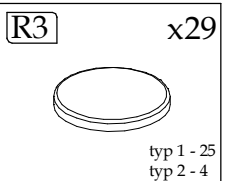
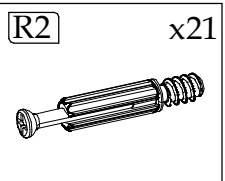
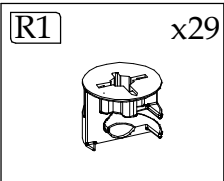
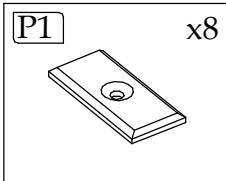
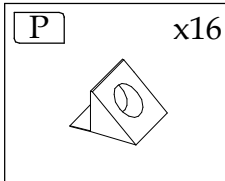
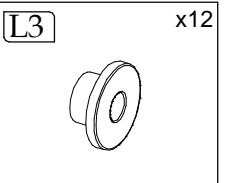
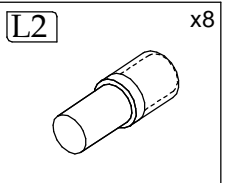
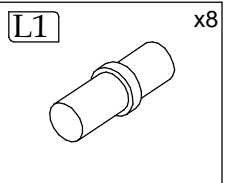
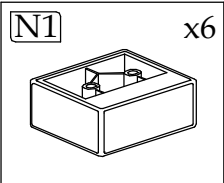
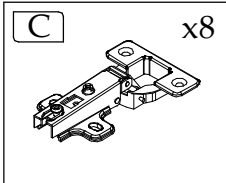
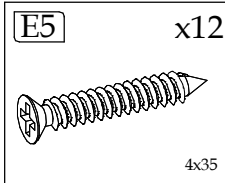
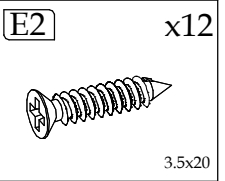
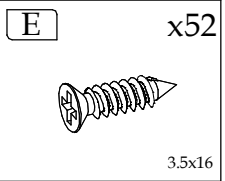
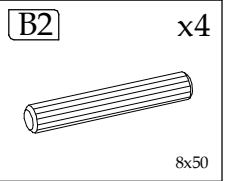
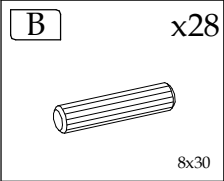
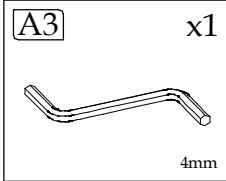
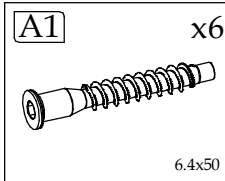
# LAGOS C2



100 min

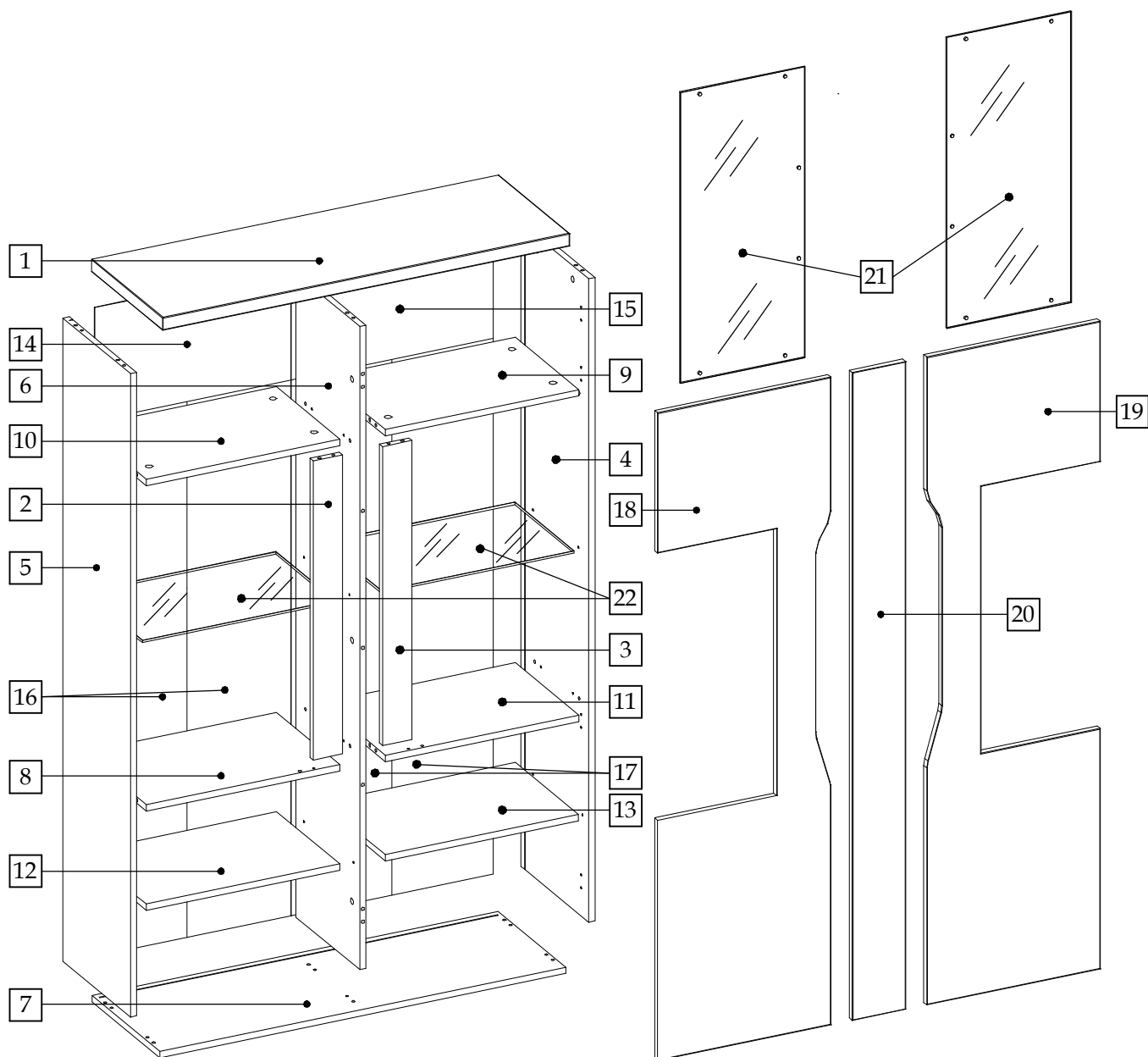


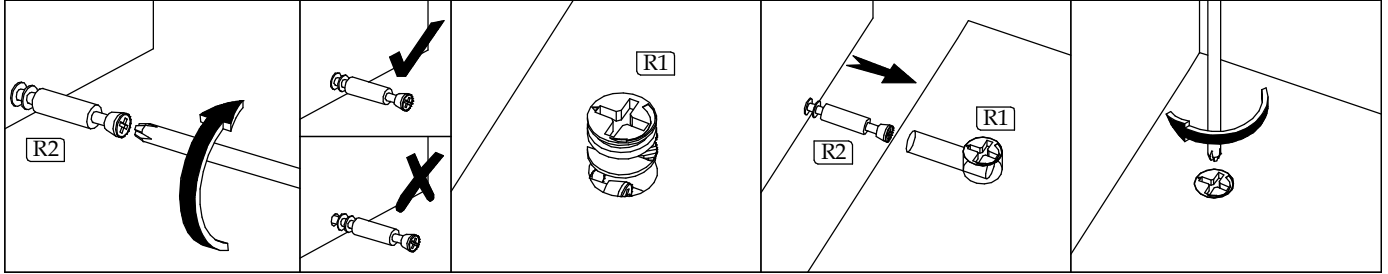




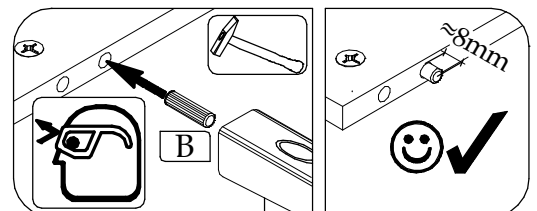
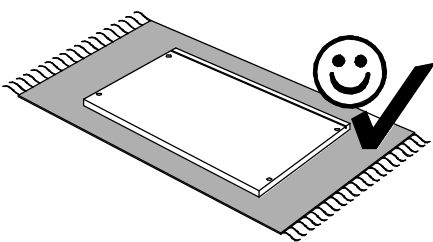
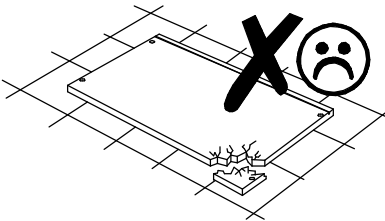
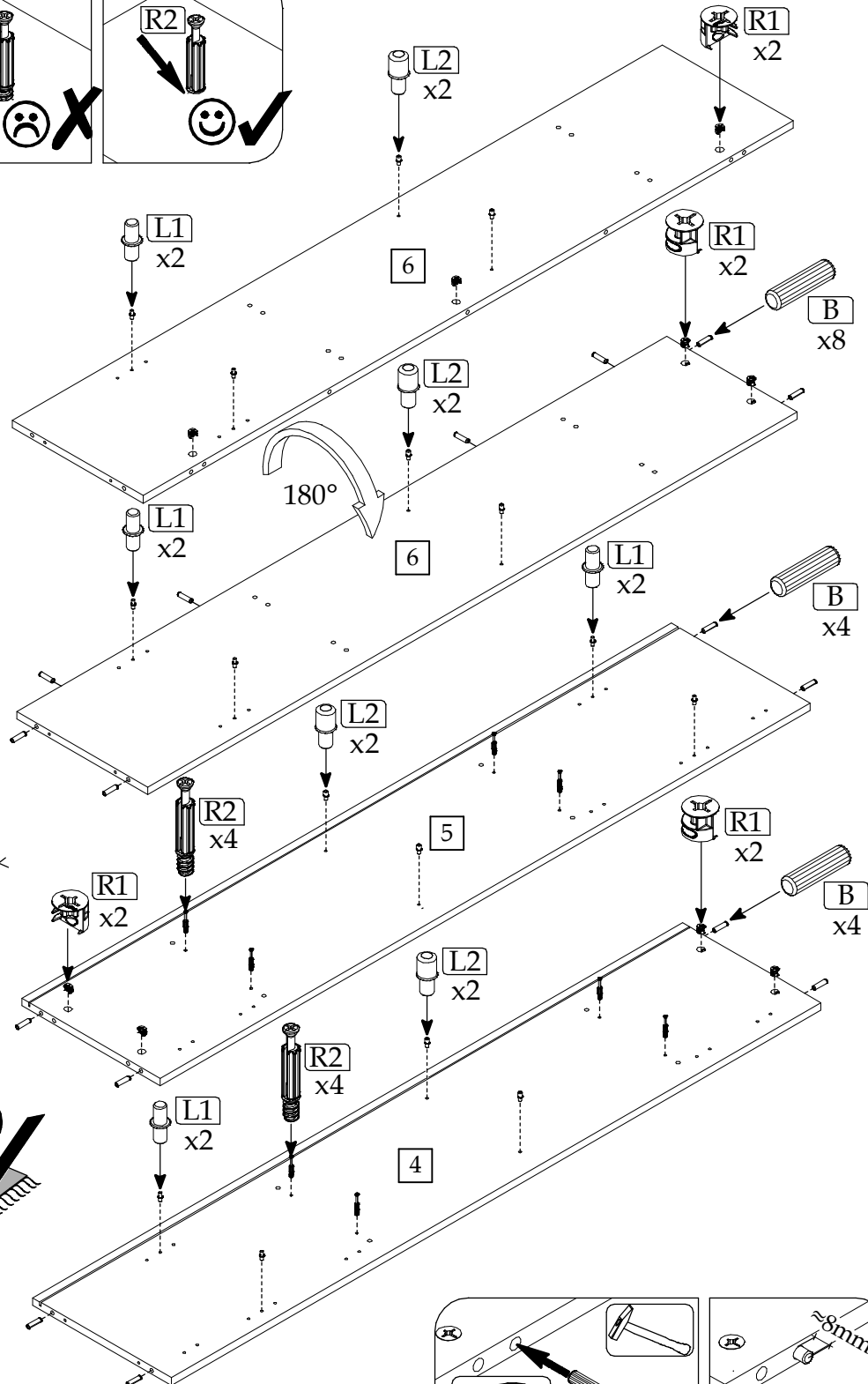
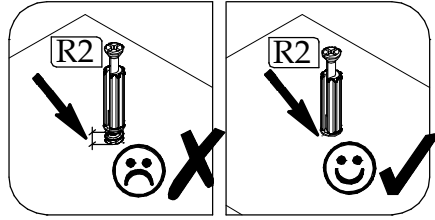
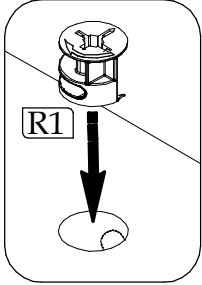
Element symbol	Measurements				Code	Paket
1	1035	360	32	1	1001/1005	1/4
2	746	75	16	1	1048	2/4
3	746	75	16	1	1053	2/4
4	1605	342	16	1	1002	1/4
5	1605	342	16	1	1003	1/4
6	1605	323	16	1	1050	1/4
7	1033	343	16	1	1004/2004	1/4
8	491.5	322	16	1	1009/2009	1/4
9	491.5	322	16	1	1052/2052	1/4
10	491.5	322	16	1	1047/2047	1/4
11	491.5	322	16	1	1051/2051	1/4

Element symbol	Measurements				Code	Paket
12	491.5	320	16	1	N/A	1/3
13	491.5	320	16	1	N/A	1/4
14	311	506	3	1	1041_v	2/4
15	311	506	3	1	1042_v	2/4
16	1307	253	3	2	N/A	1/4
17	1307	253	3	2	N/A	1/4
18	1618	443	16	1	1014/3001	2/4
19	1618	443	16	1	1015/3005	2/4
20	1618	138	16	1	1009/3003	2/4
21	726	317	4	2	N/A	3/4
22	490	296	6	2	N/A	4/4

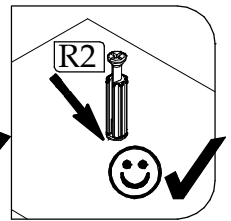
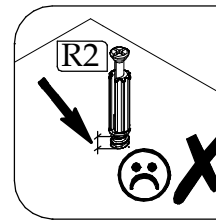
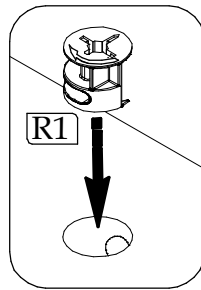
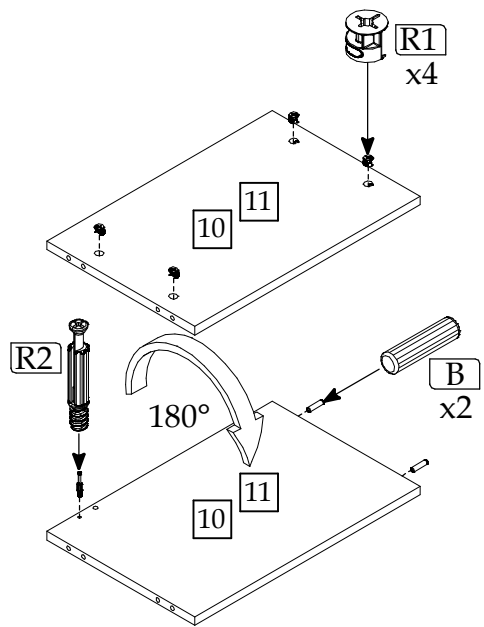
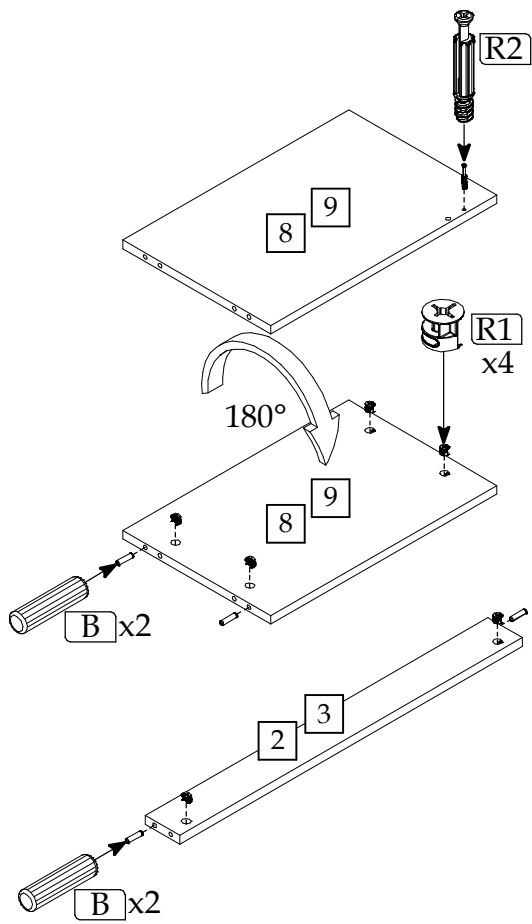




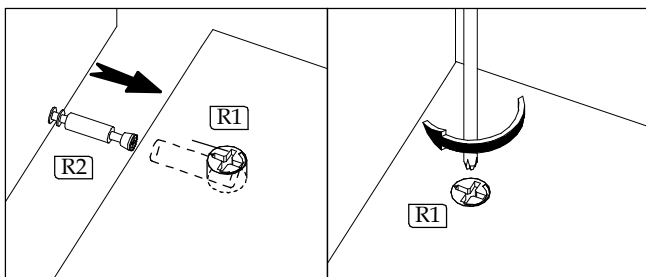
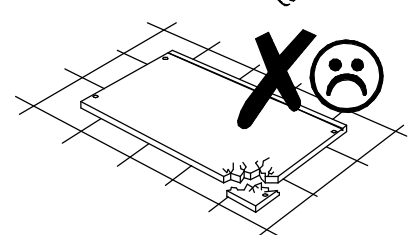
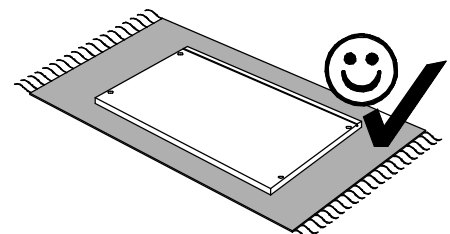
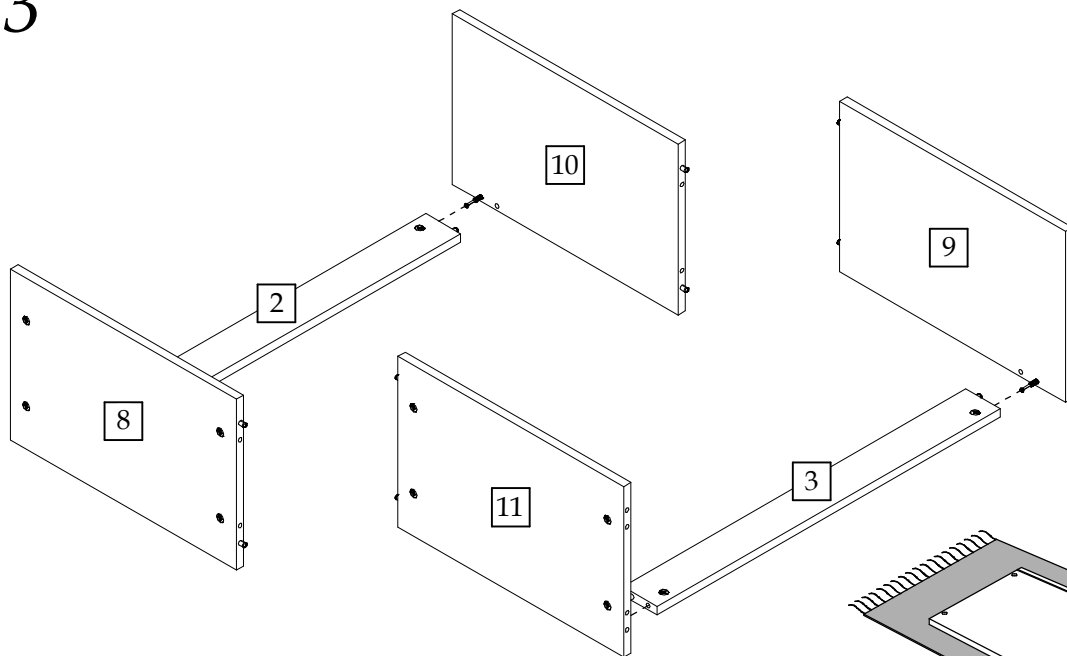
▶ 1



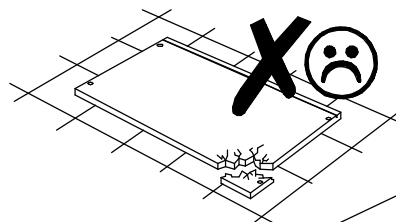
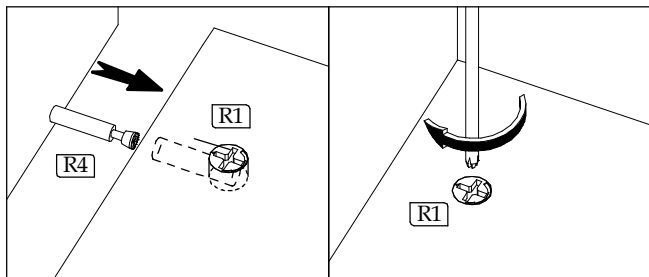
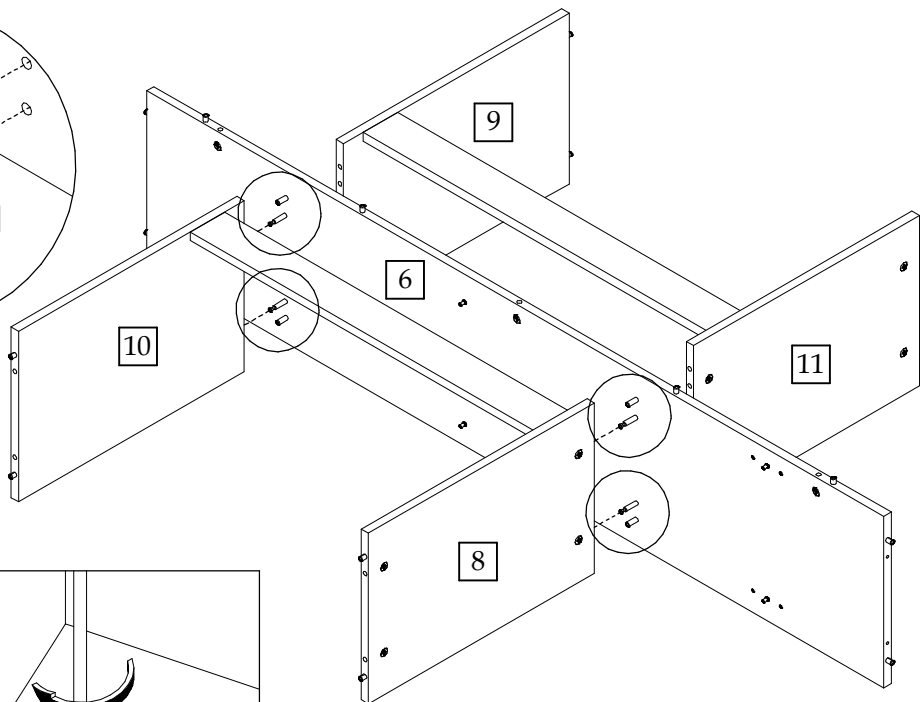
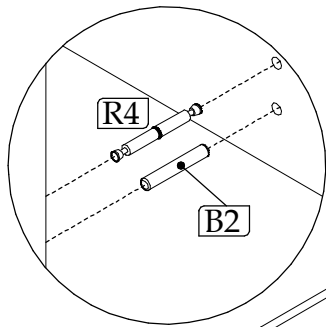
▶ 2



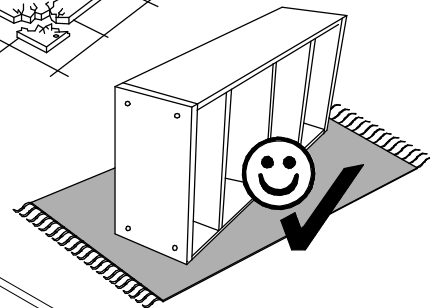
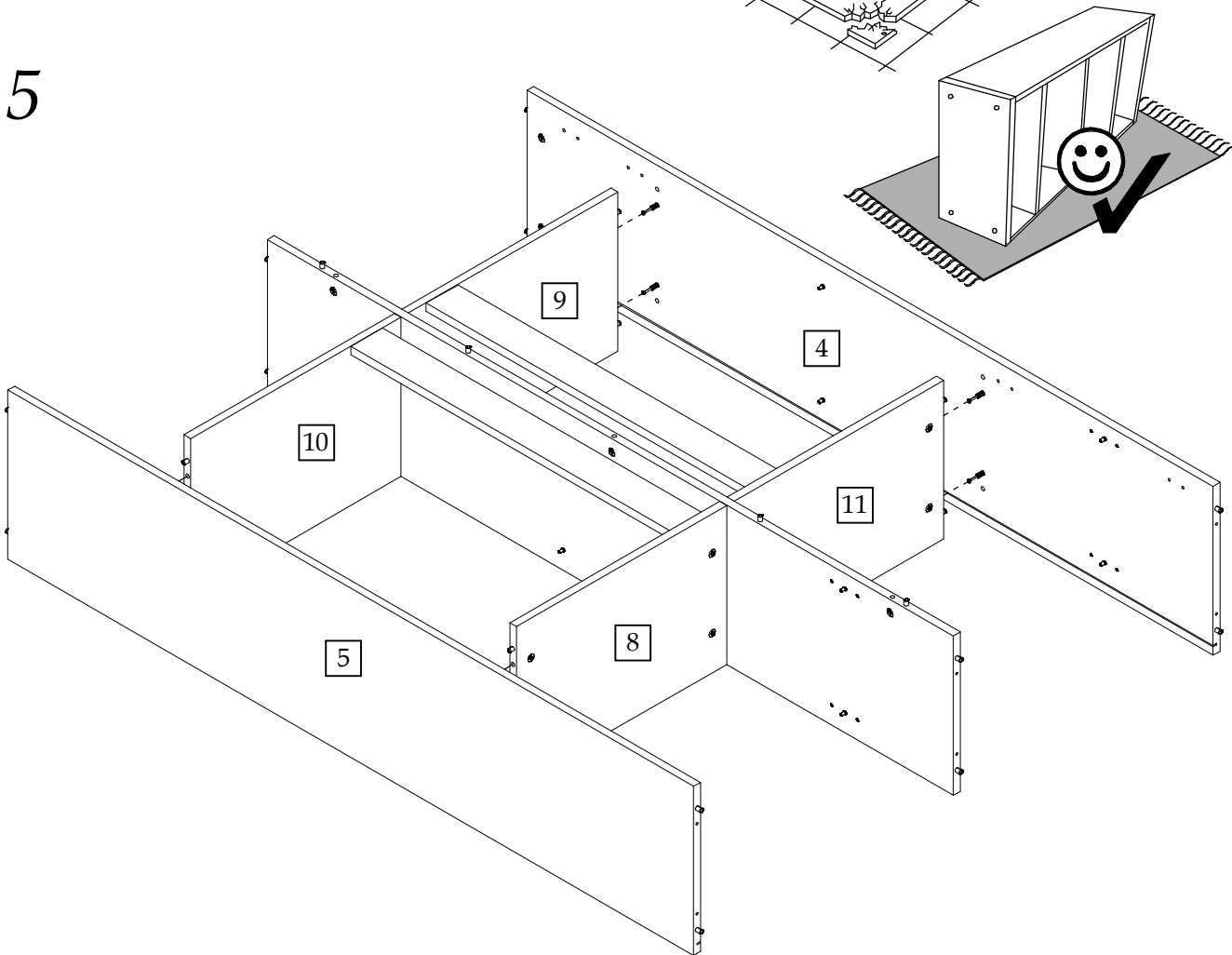
▶ 3



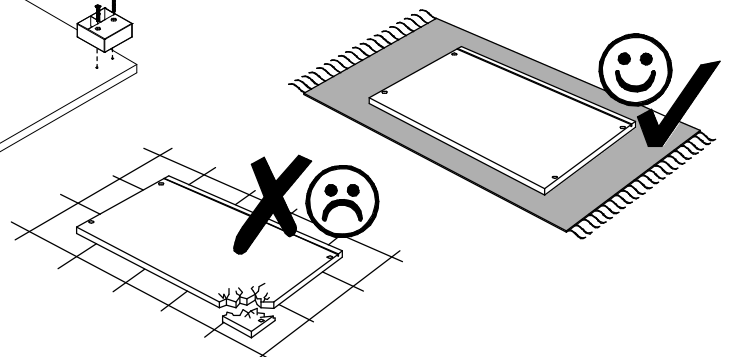
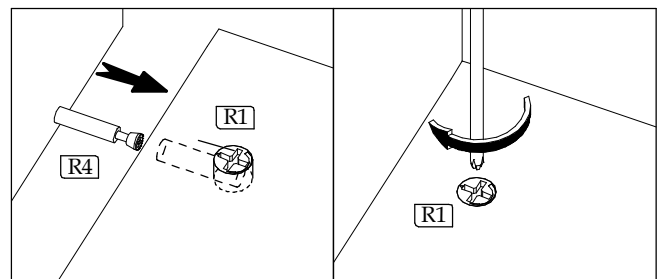
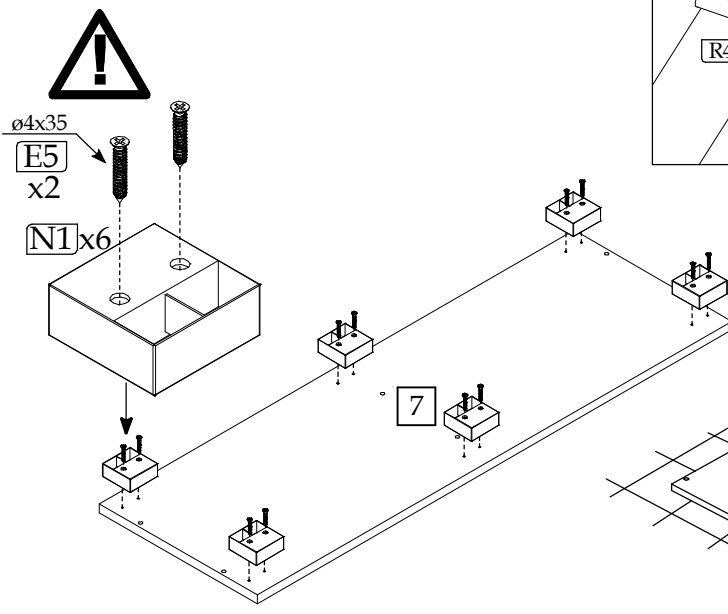
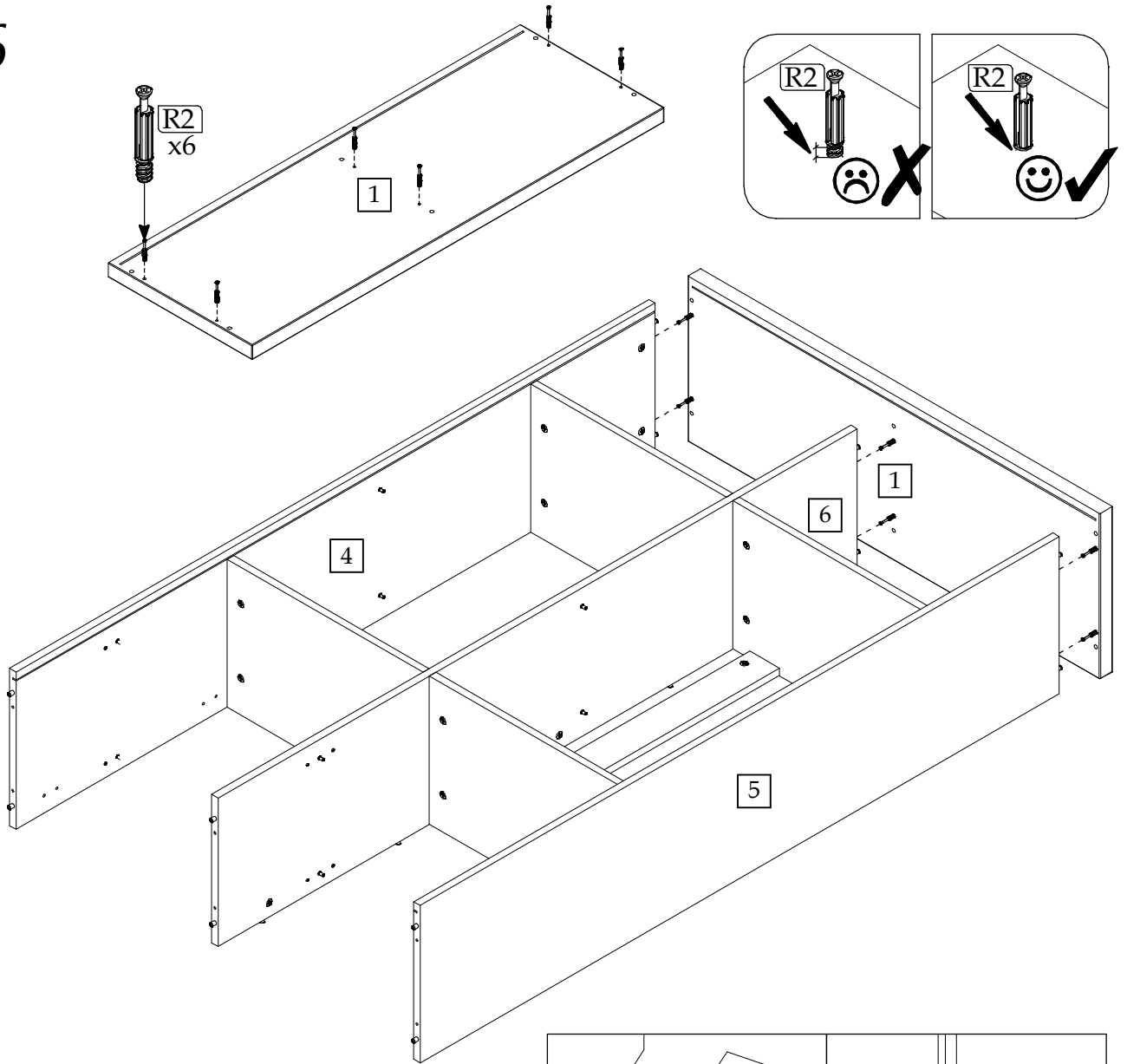
▶ 4



▶ 5

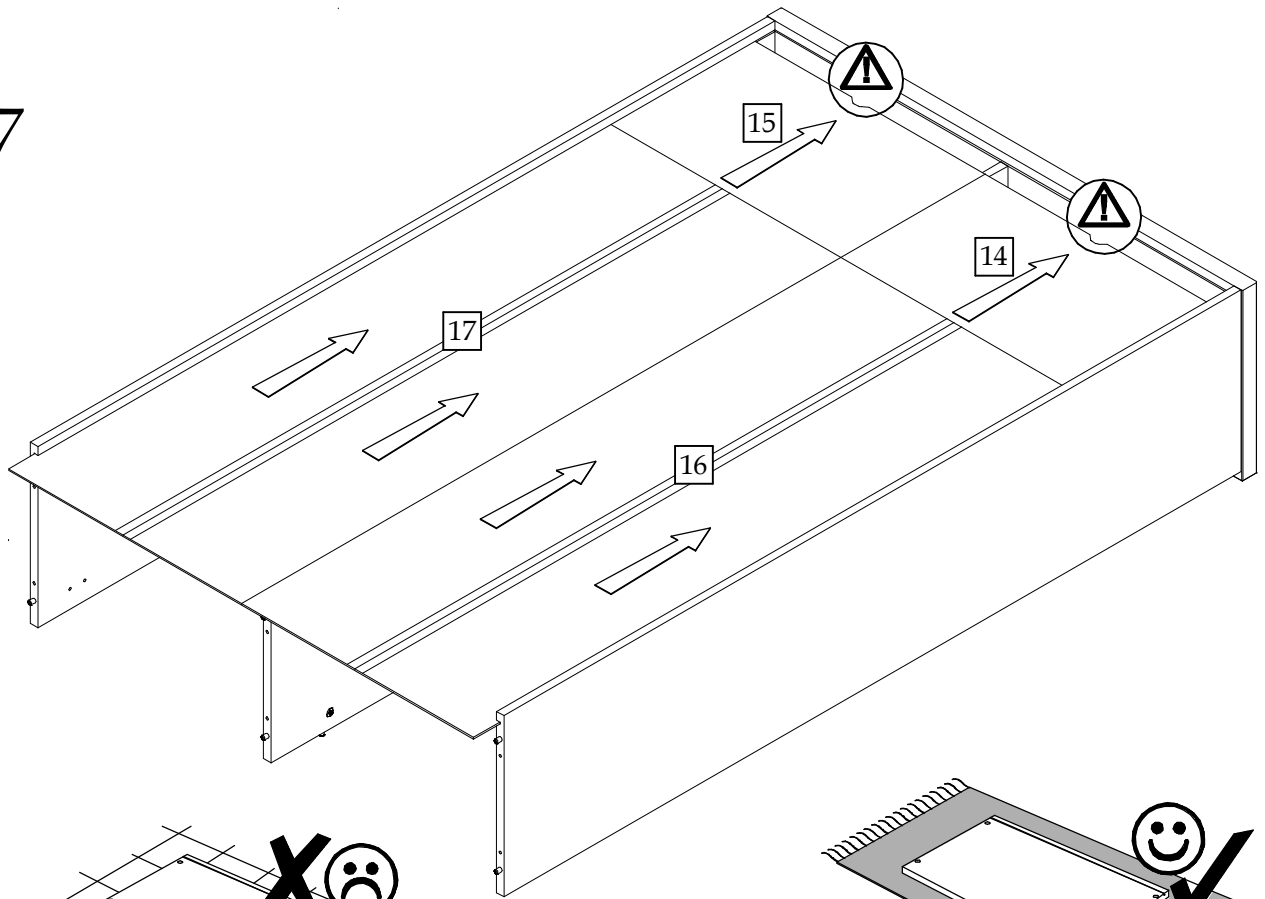


▶ 6

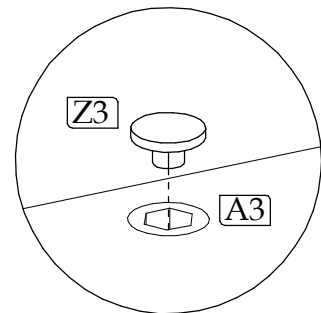
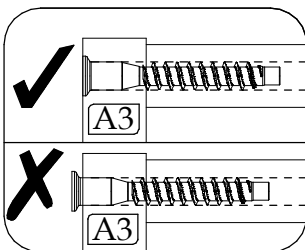
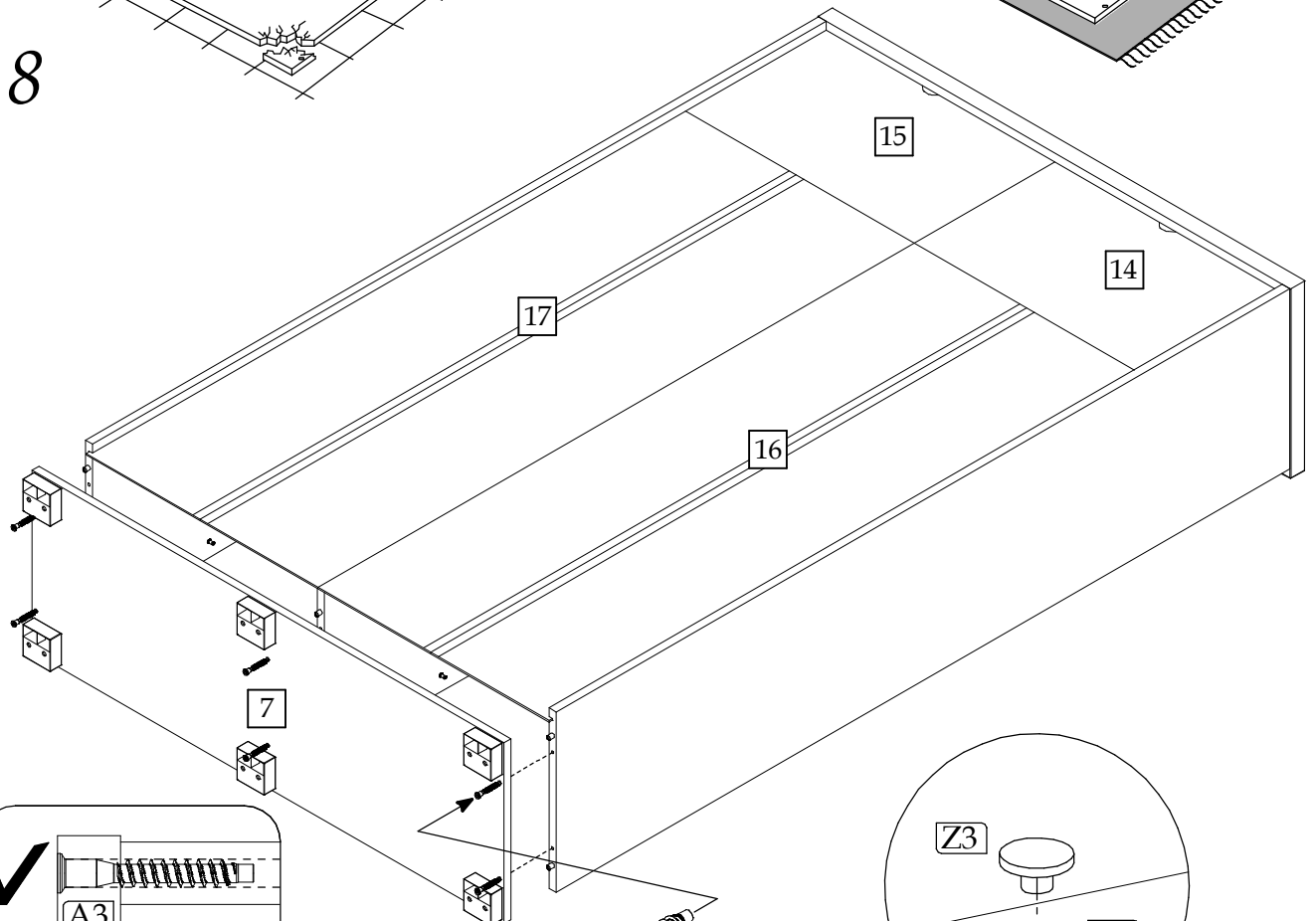
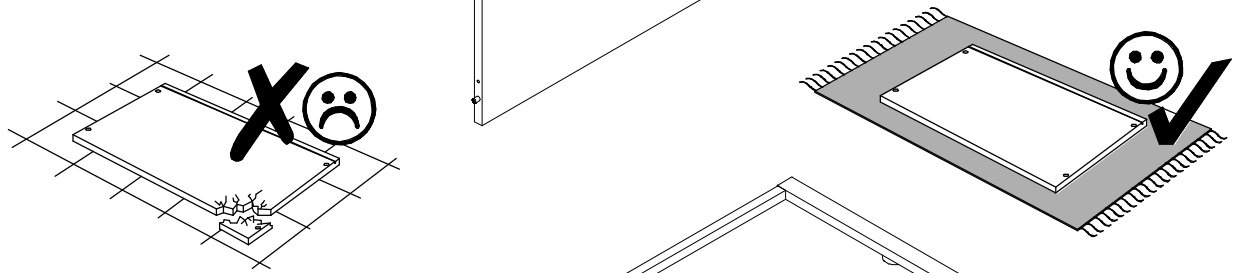




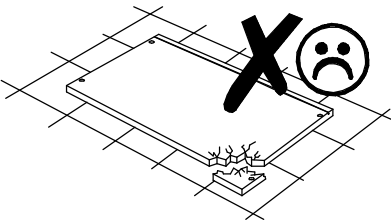
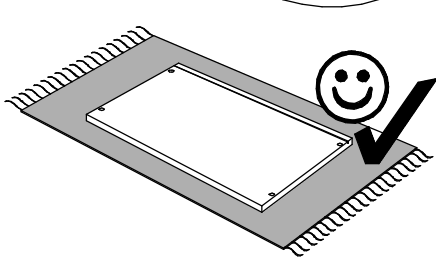
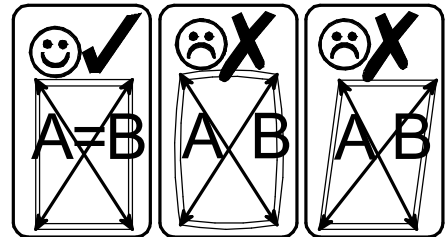
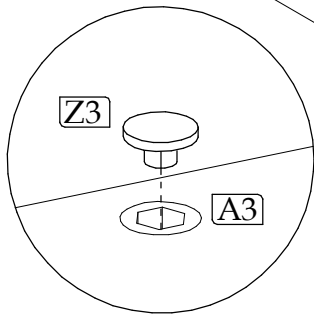
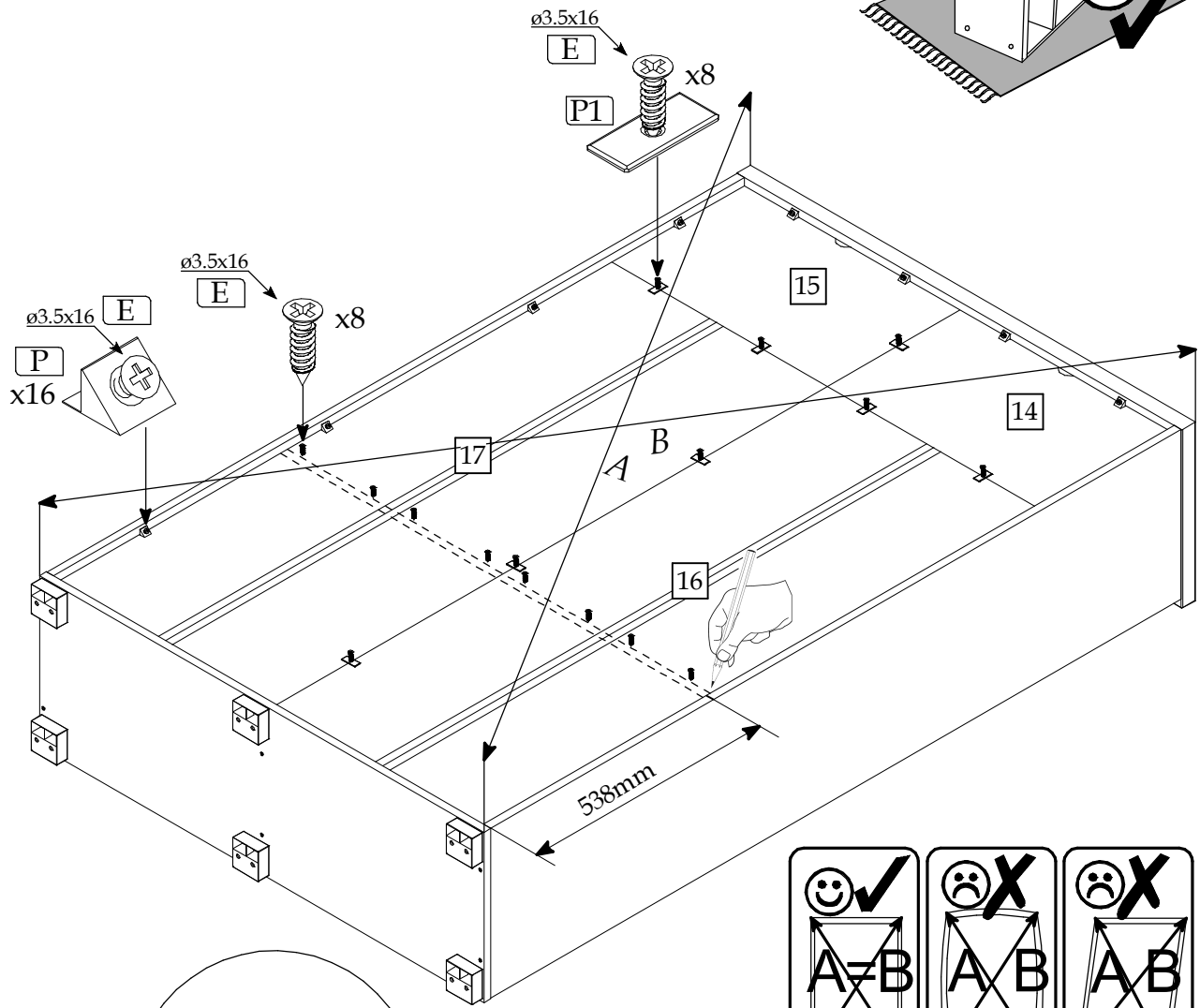
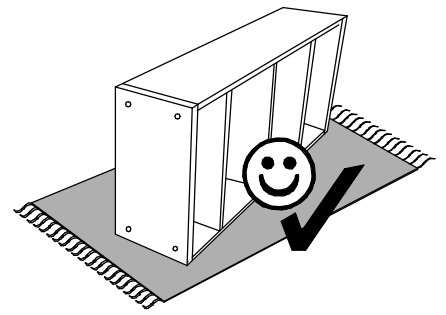
7



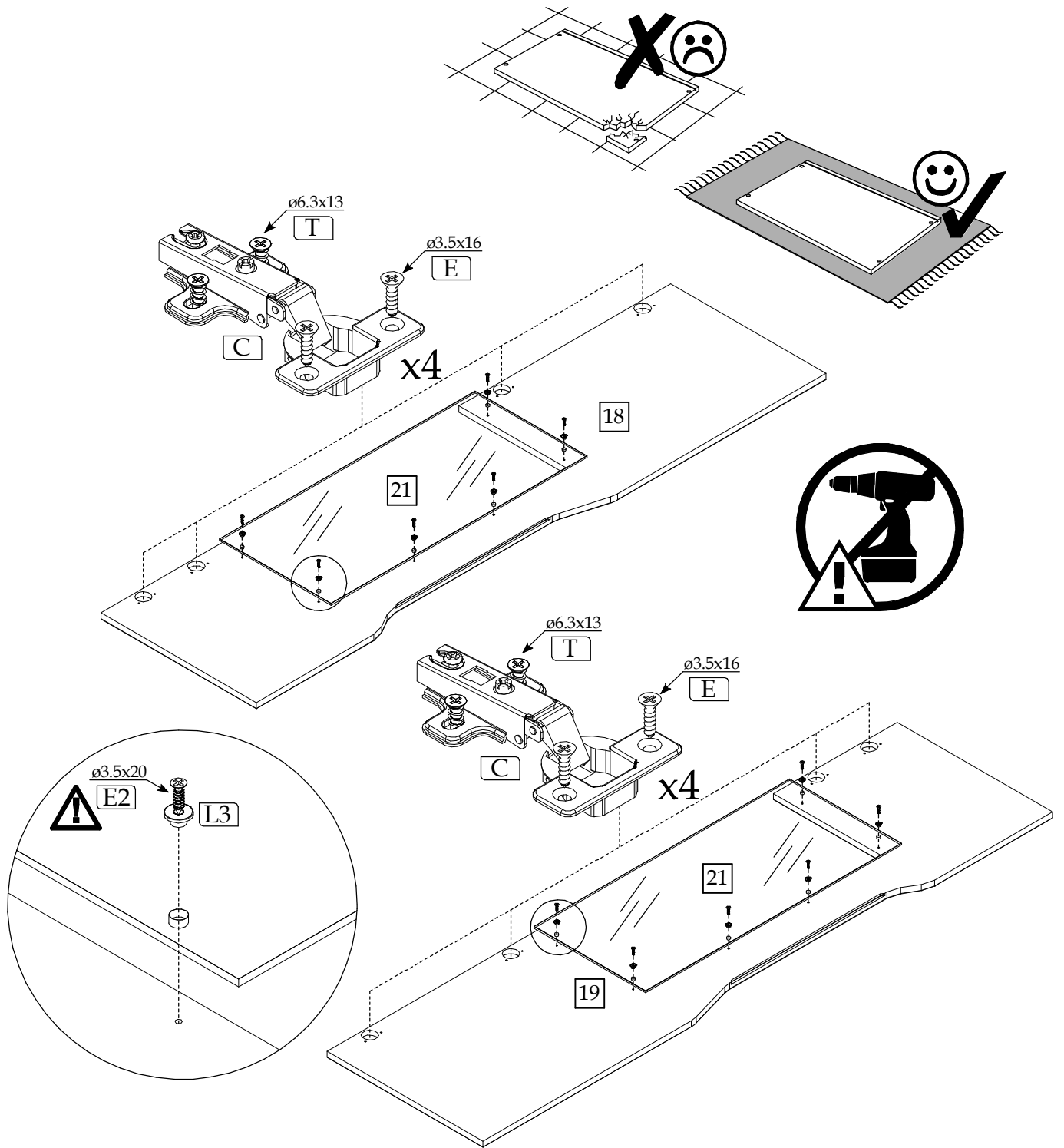
8



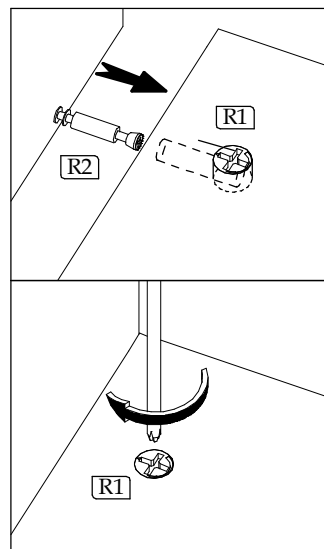
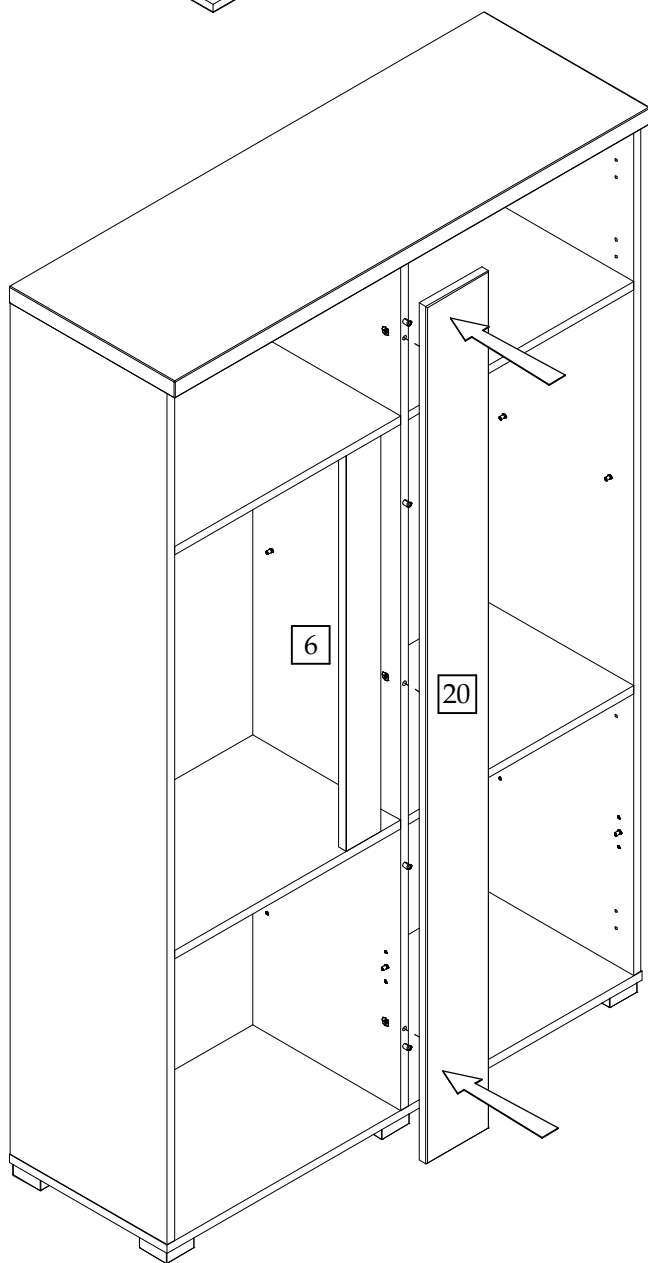
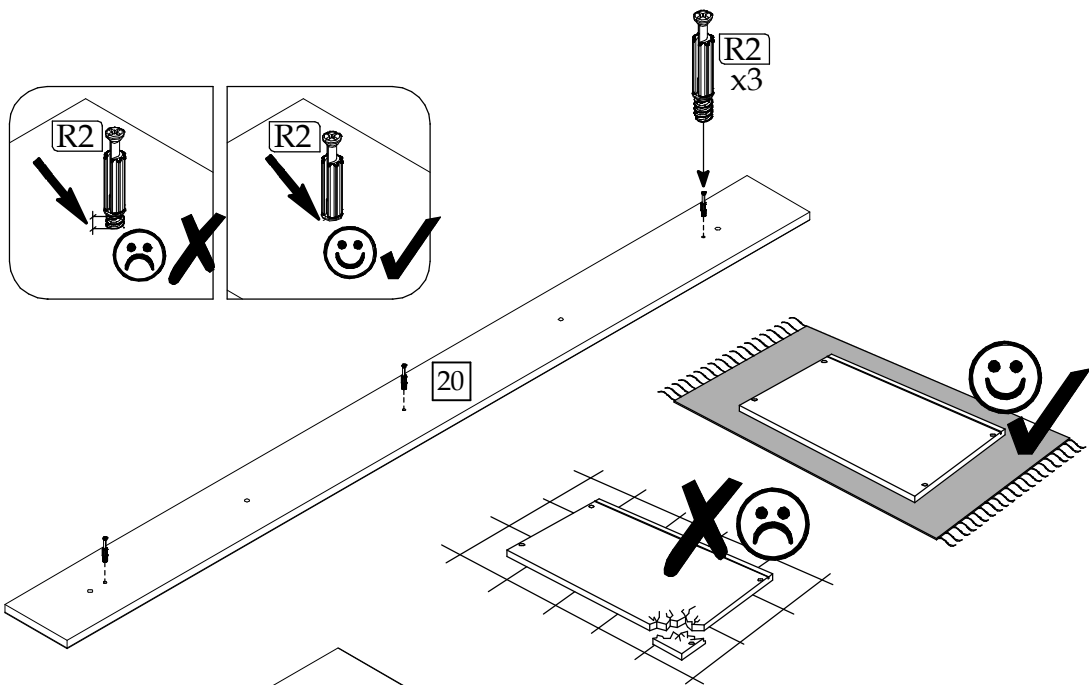
▶ 9



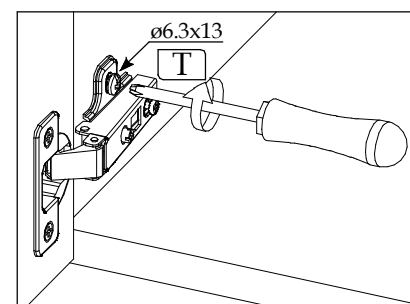
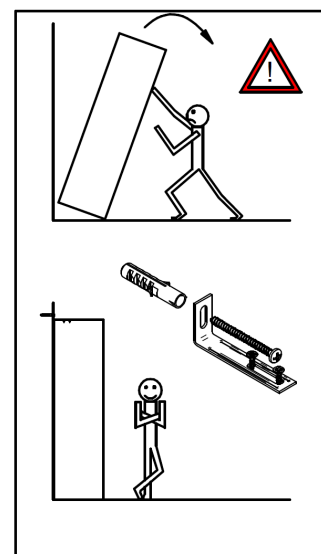
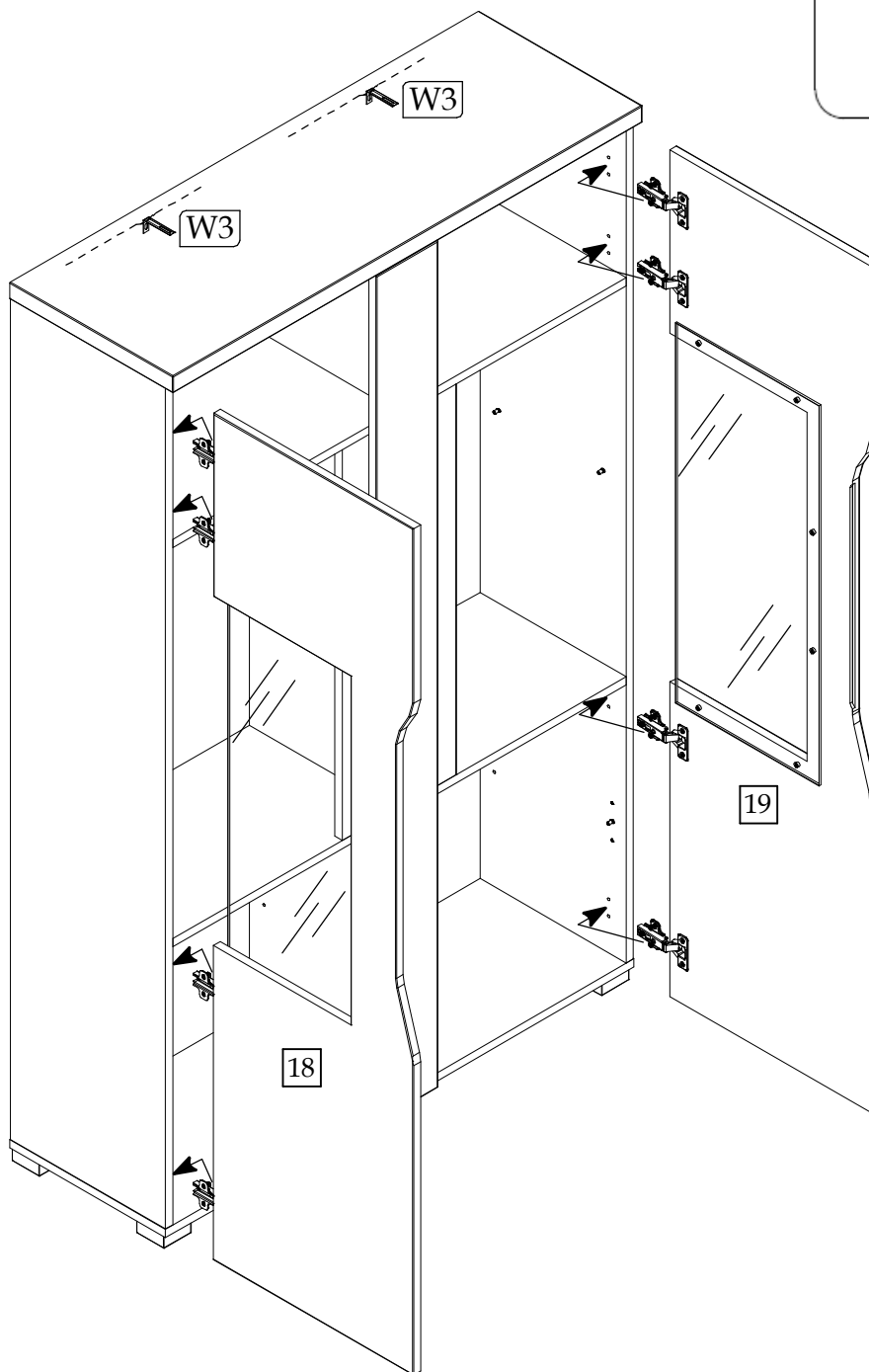
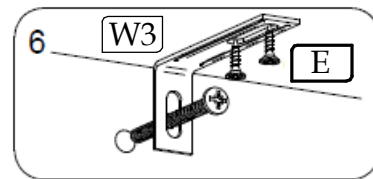
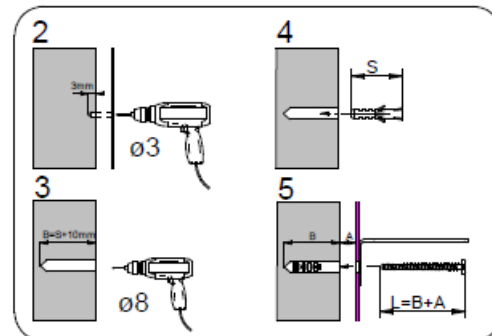
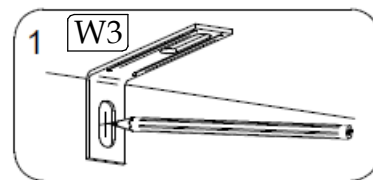
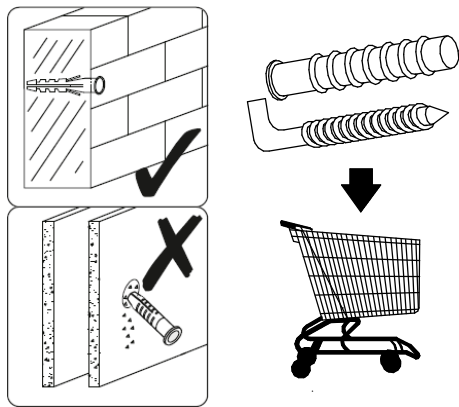
► 10



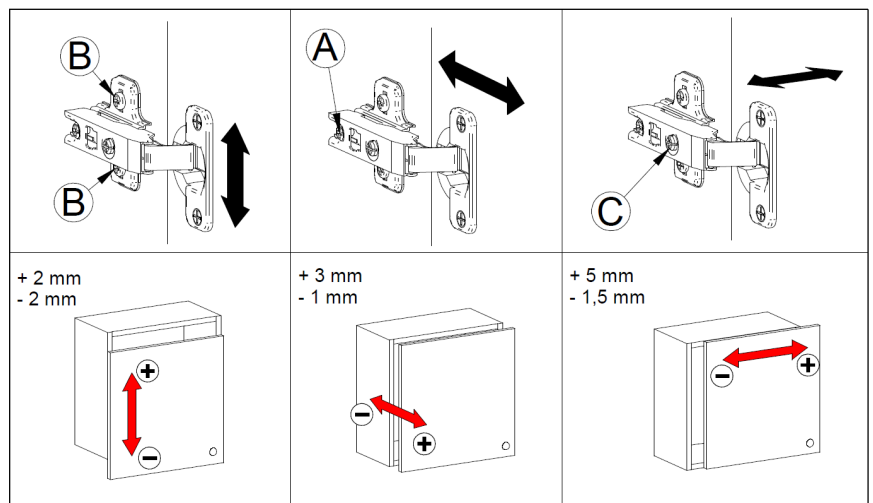
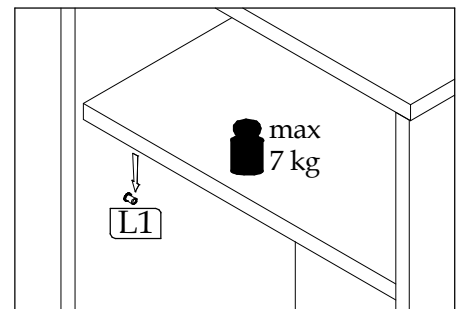
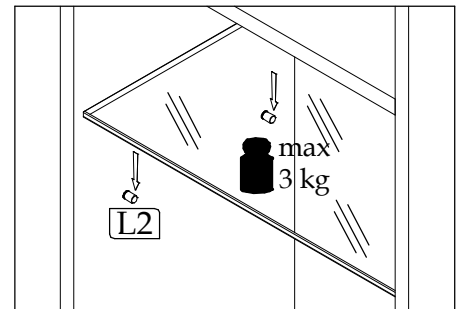
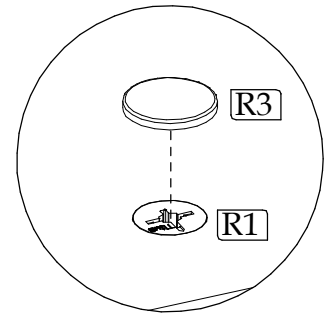
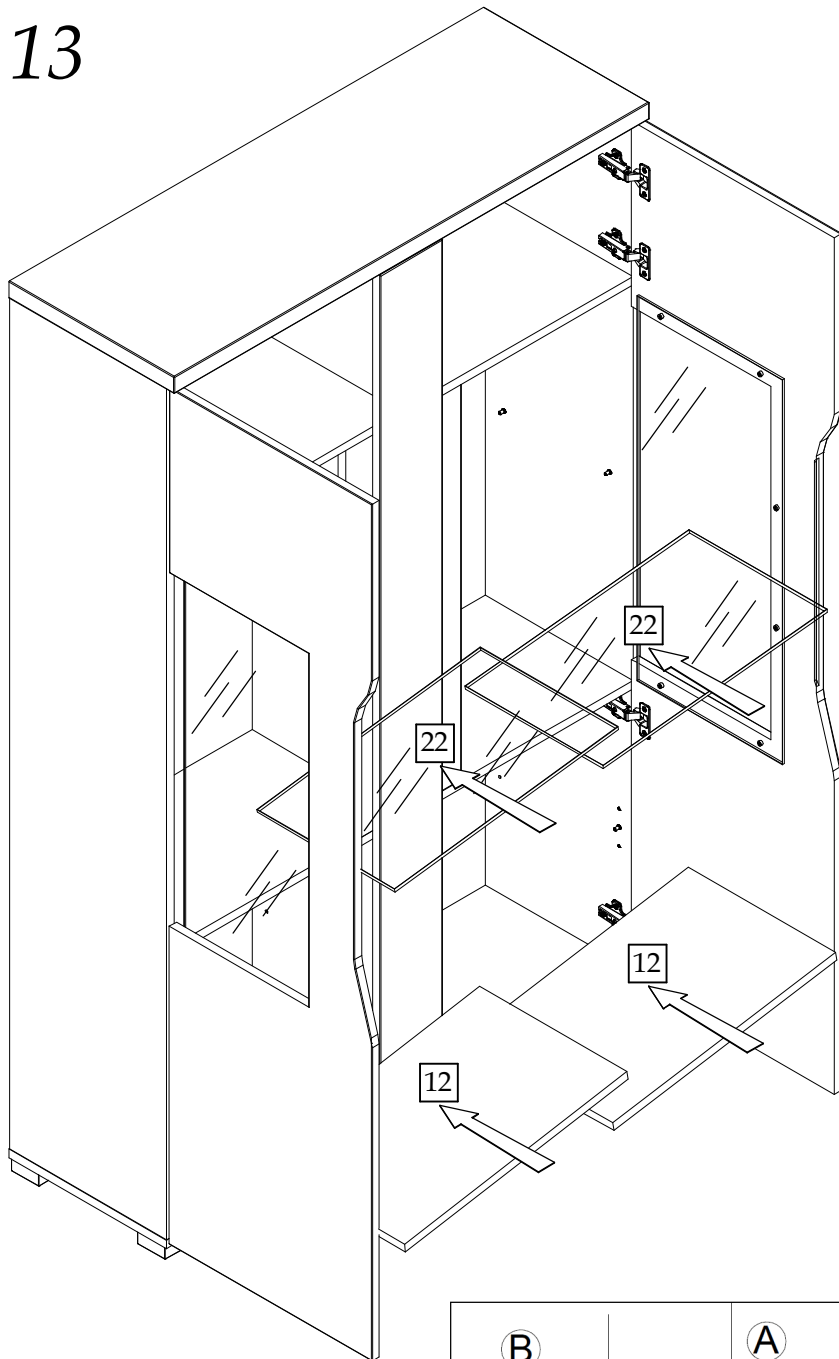
▶ 11



▶ 12



▶ 13



▶ 14

