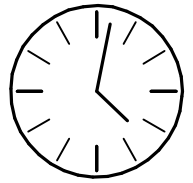
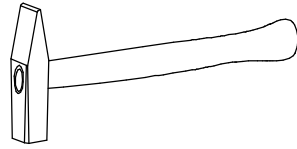
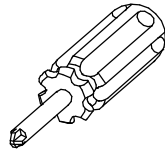
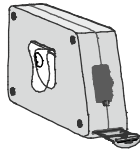
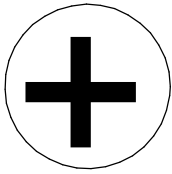
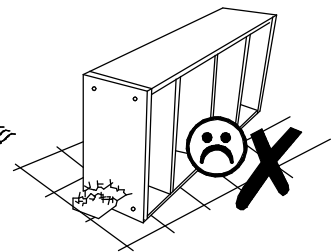
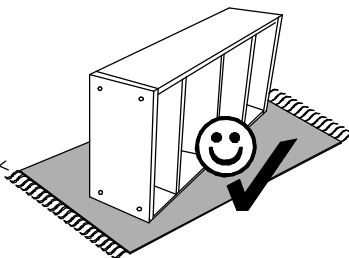
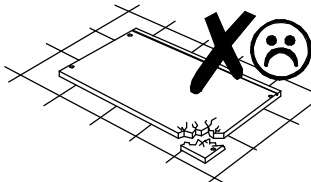
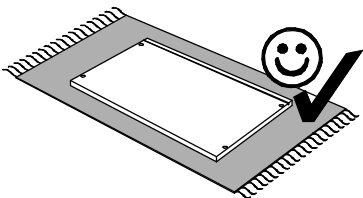
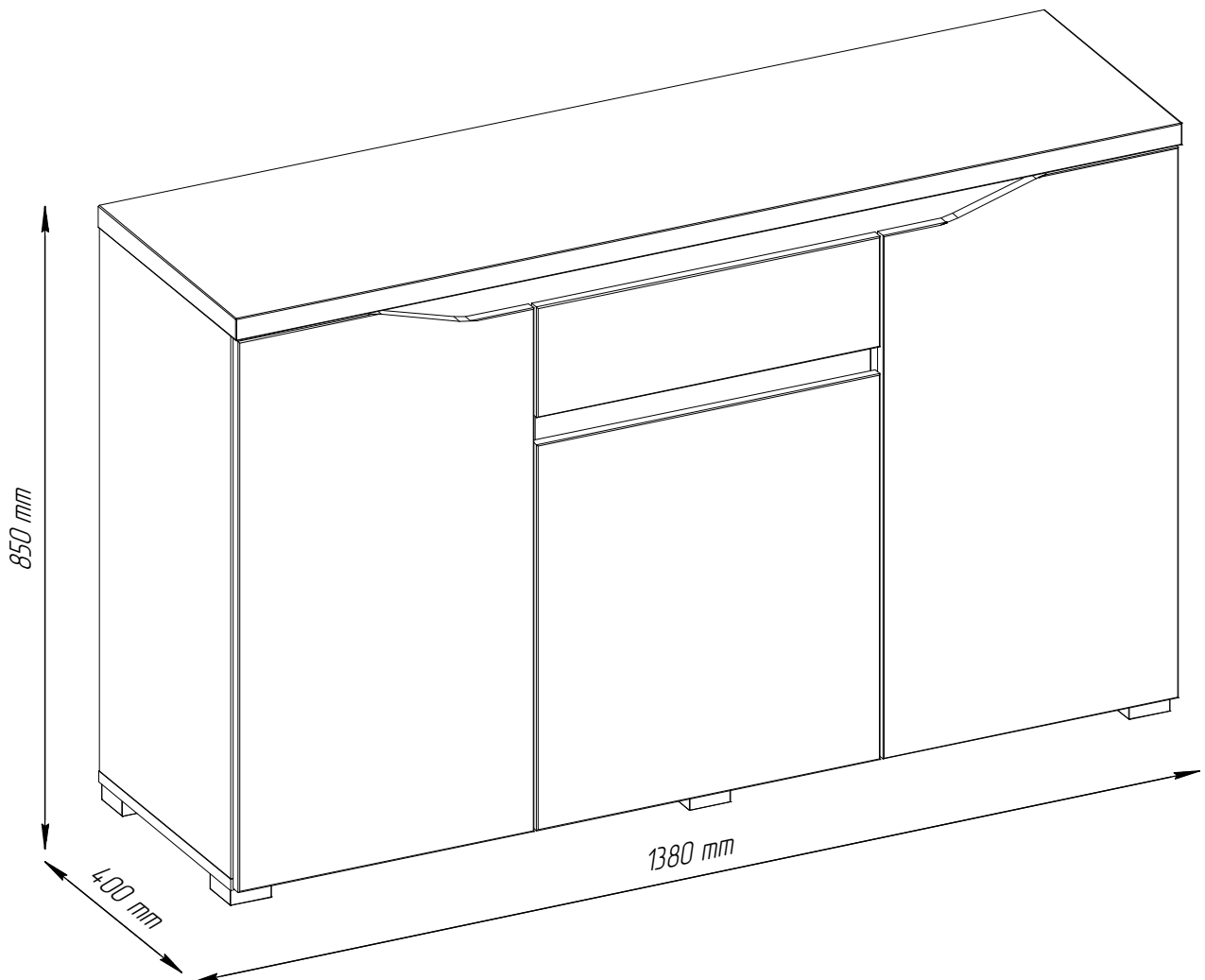
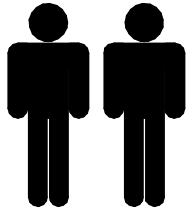
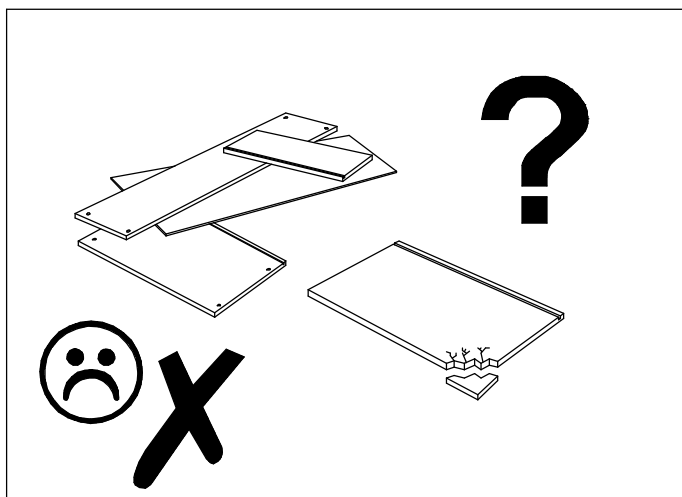
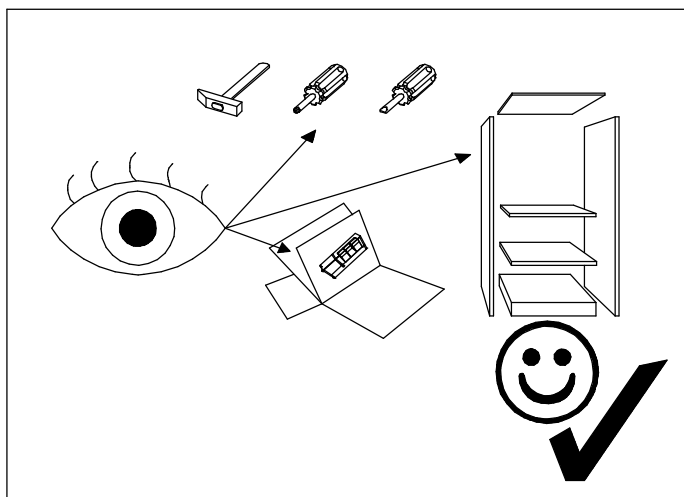
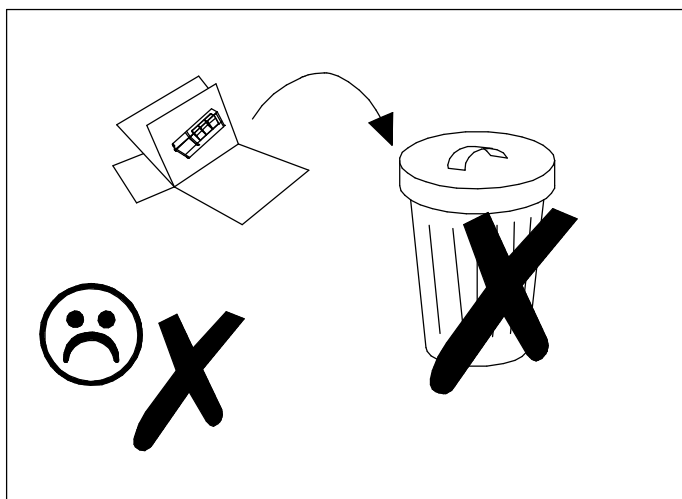
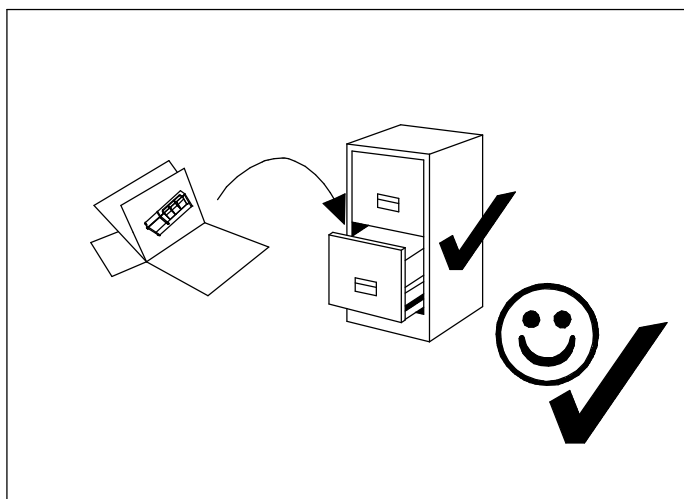


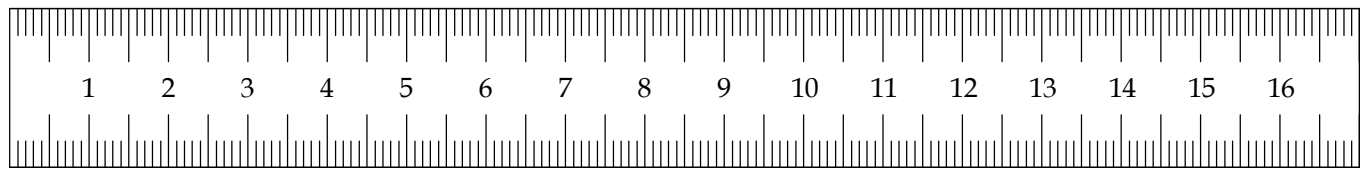
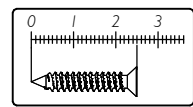
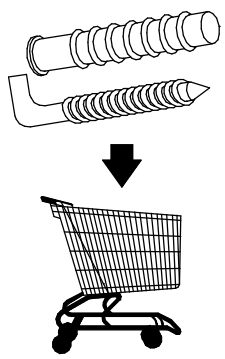
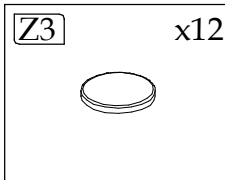
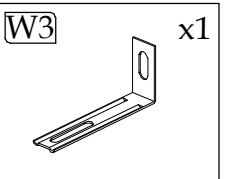
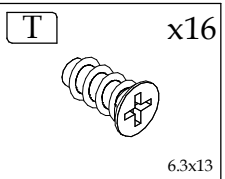
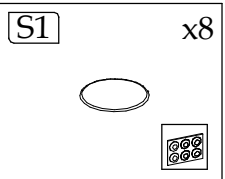
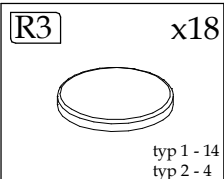
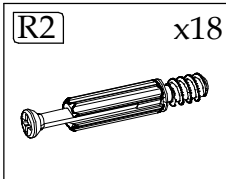
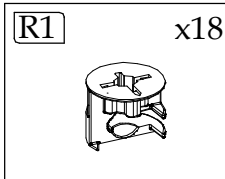
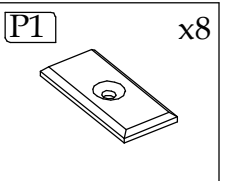
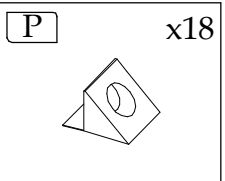
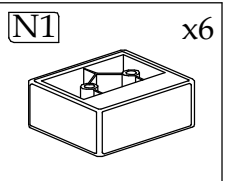
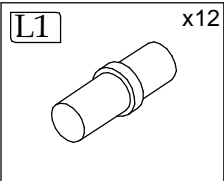
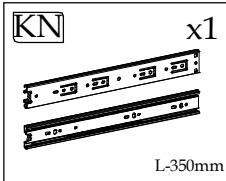
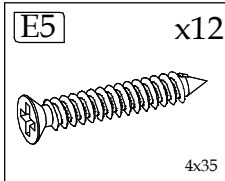
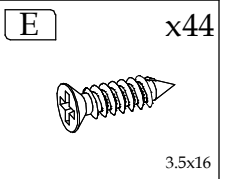
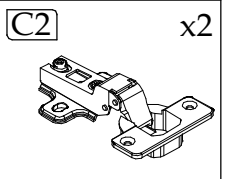
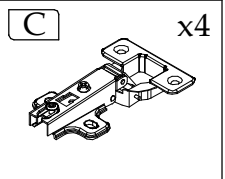
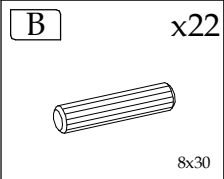
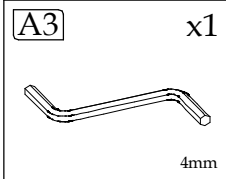
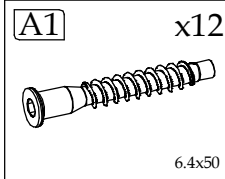
LAGOS G



90 min

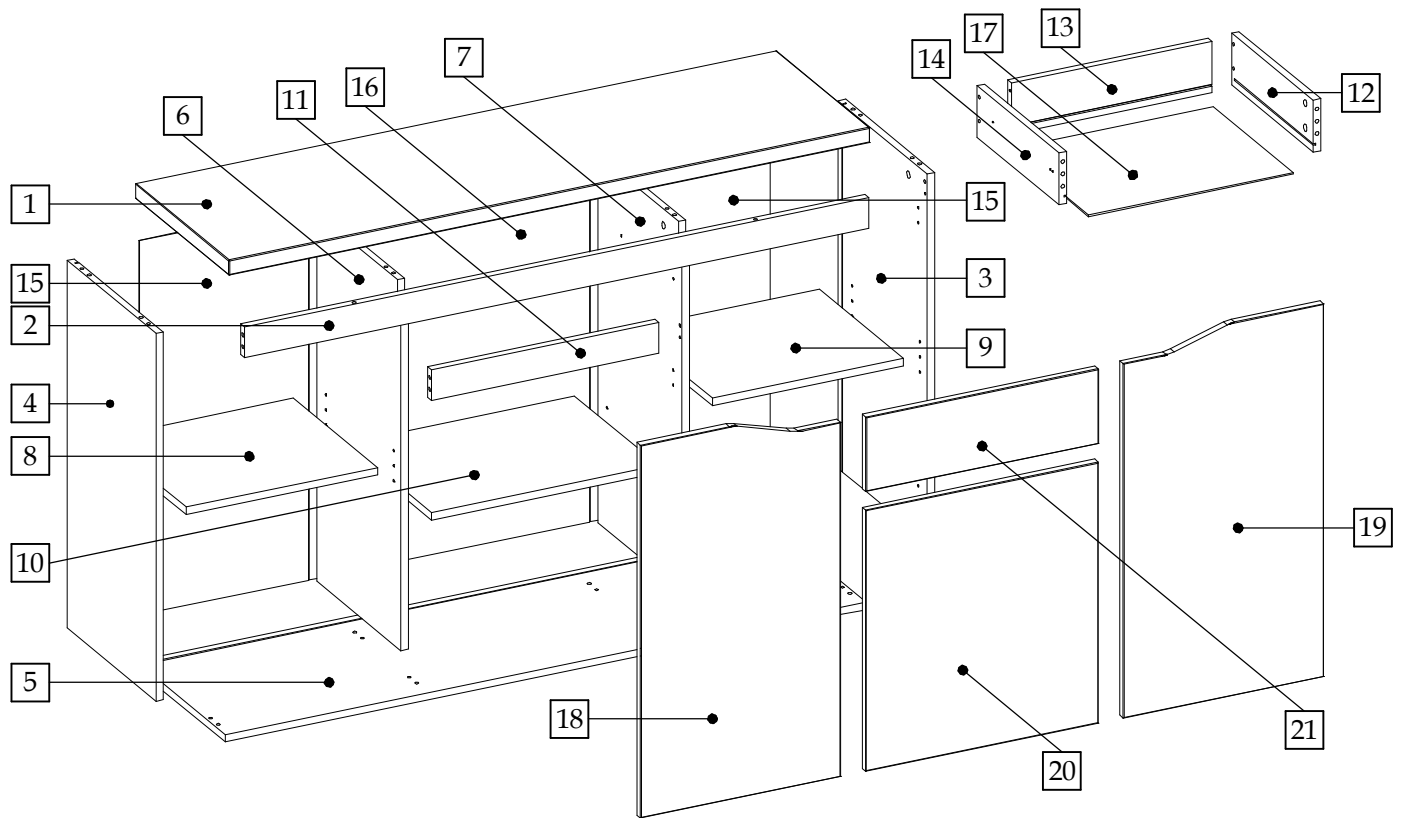


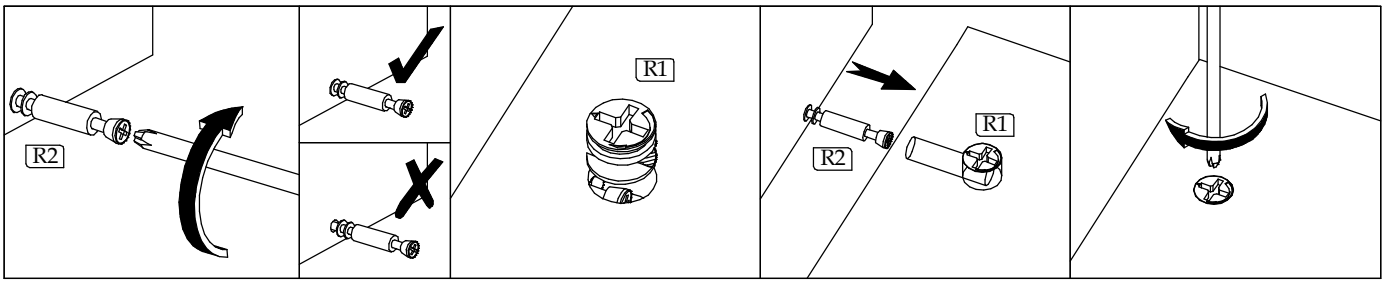




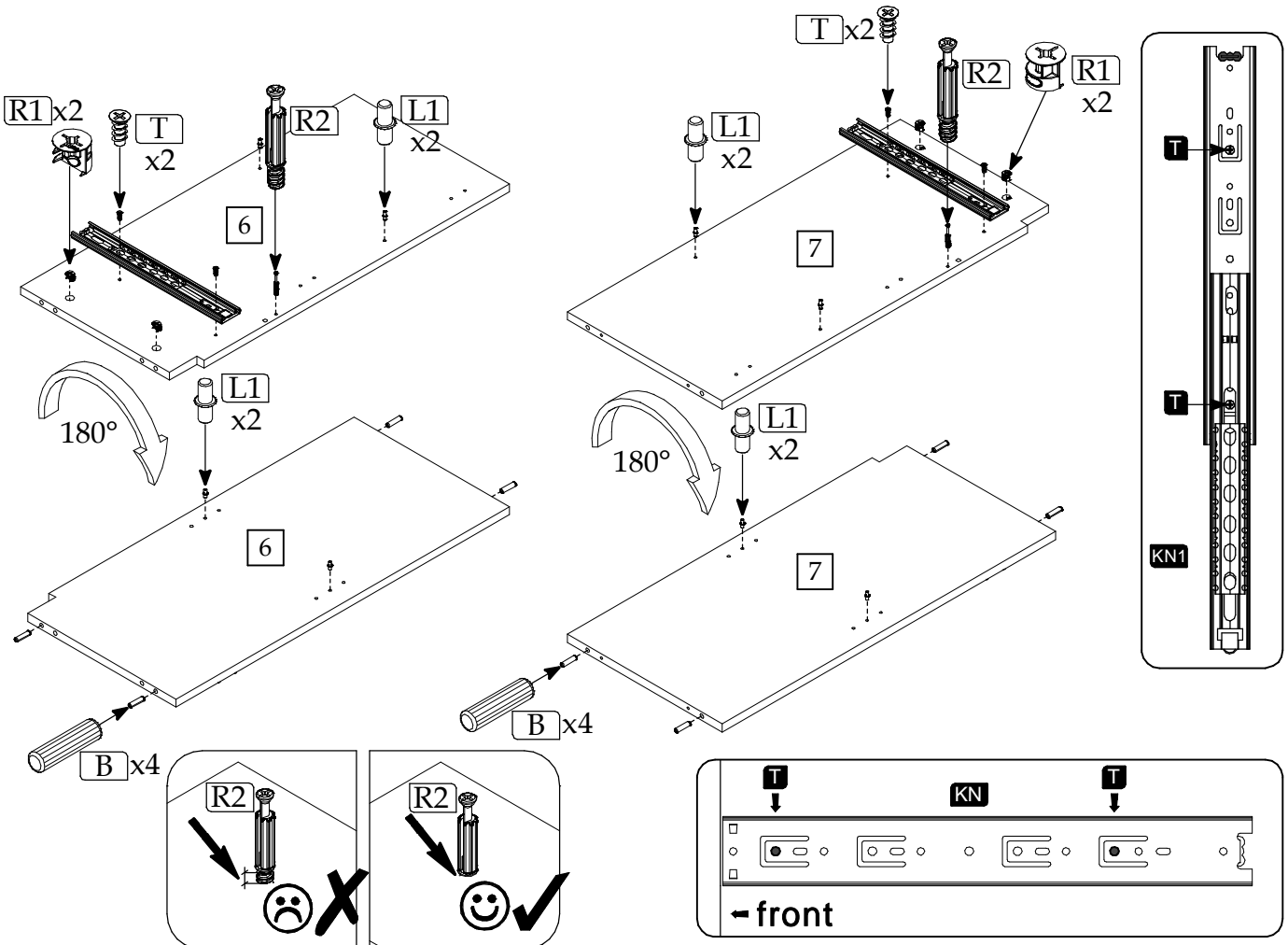
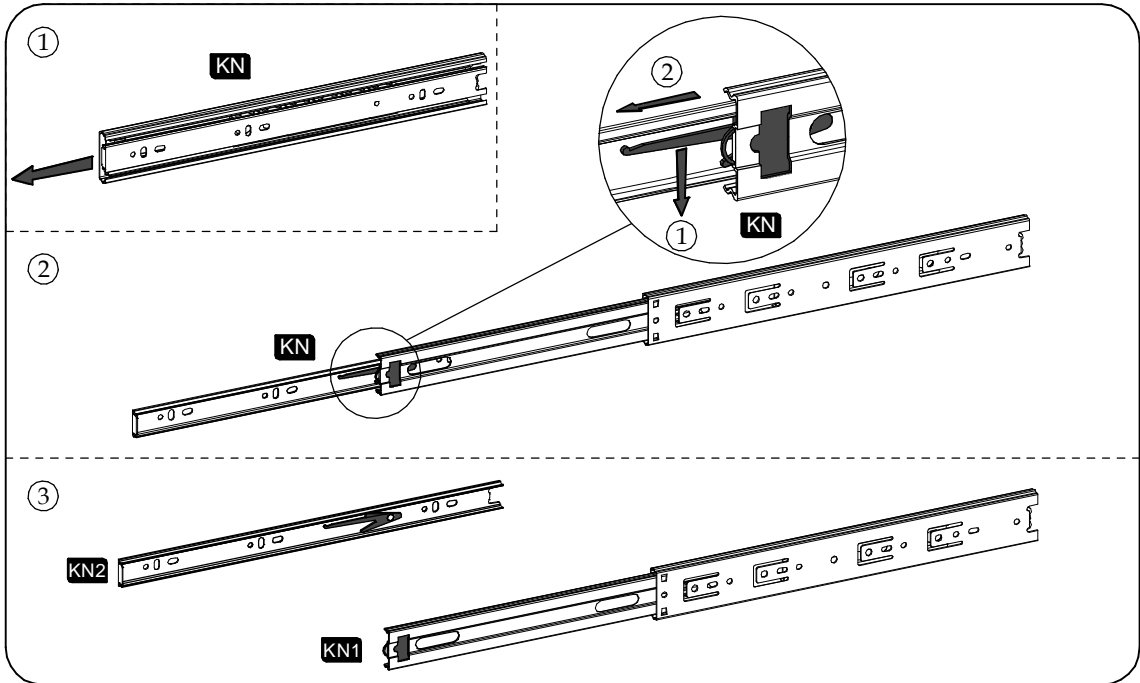
Element symbol	Measurements				Code	Paket
1	1380	400	32	1	1001/1005	1/2
2	1344	65	16	1	1040	1/2
3	777	382	16	1	1002	1/2
4	777	382	16	1	1003	1/2
5	1378	382.5	16	1	1004/2004	1/2
6	777	362	16	1	1007/2007	1/2
7	777	362	16	1	1008/2008	1/2
8	411.5	361	16	1	N/A	1/2
9	411.5	361	16	1	N/A	1/2
10	489	361	16	1	N/A	2/2
11	489	65	16	1	1016	2/2

Element symbol	Measurements				Code	Paket
12	350.5	110	16	1	1018/2018	2/2
13	431.5	109	16	1	1019	2/2
14	350.5	110	16	1	1020/2020	2/2
15	791	426	3	2	N/A	2/2
16	791	505	3	1	1050_v	2/2
17	441	343	3	1	N/A	2/2
18	790	433	16	1	1001/3001	2/2
19	790	433	16	1	1002/3002	2/2
20	554	503	16	1	1003/3003	2/2
21	503	160	16	1	1004/3004	2/2

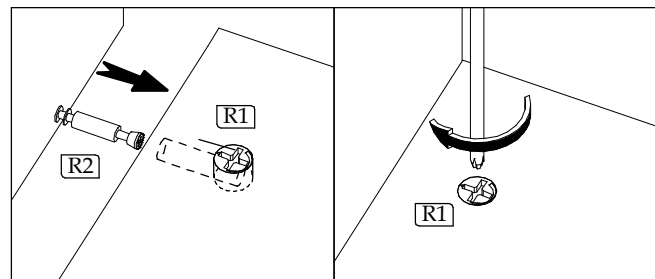
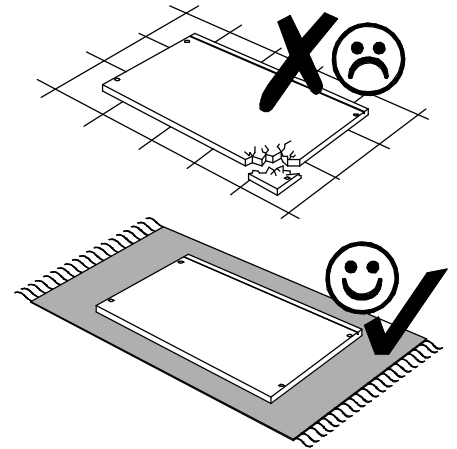
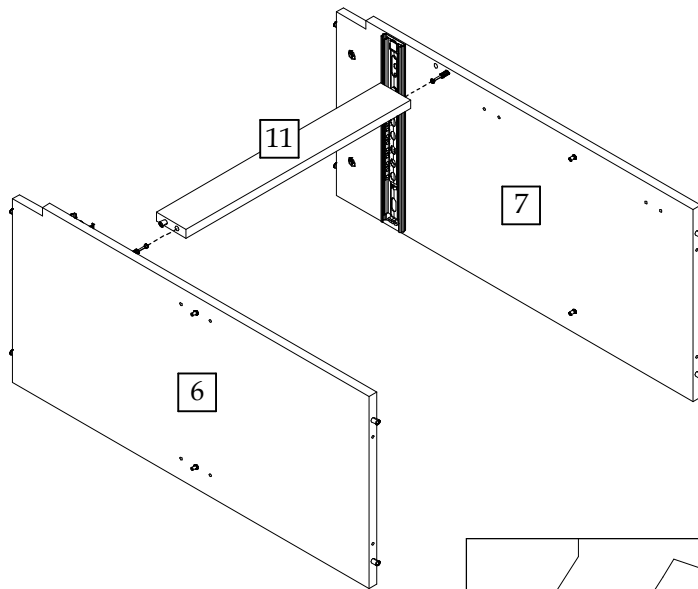




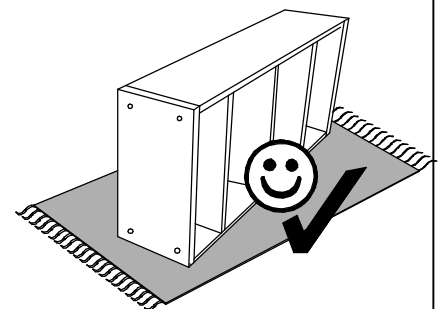
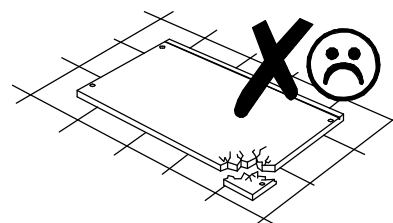
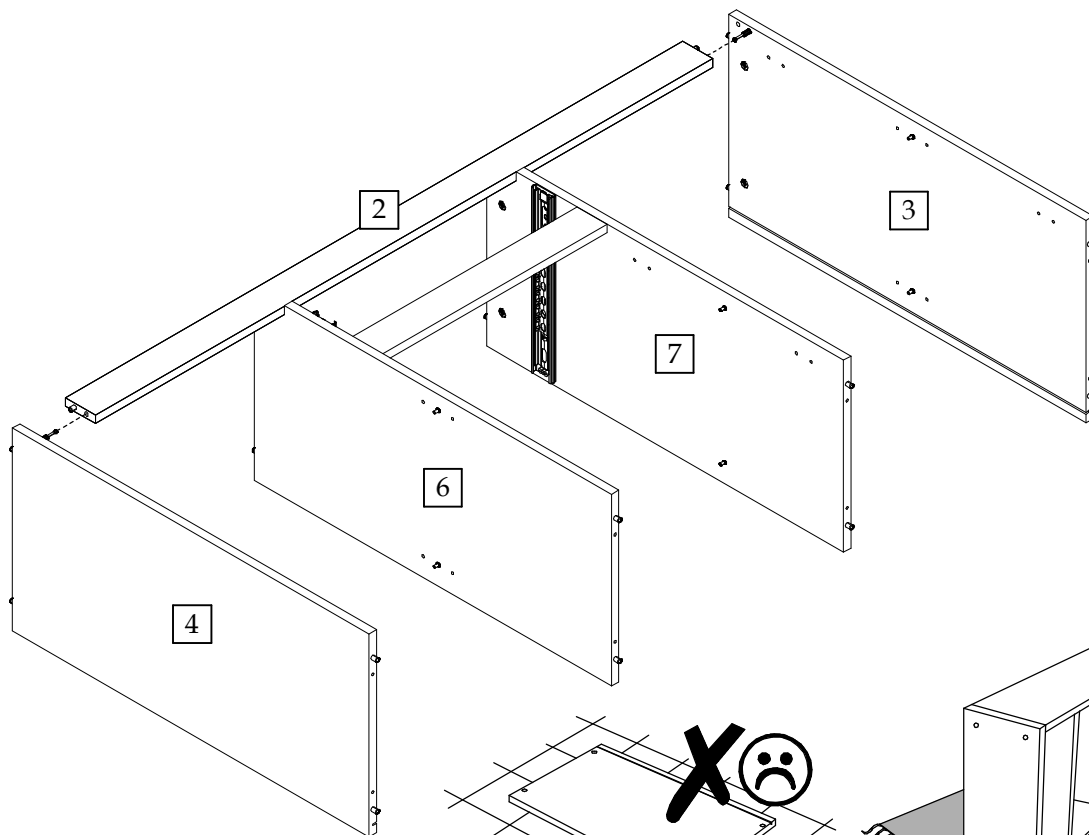
▶ 1



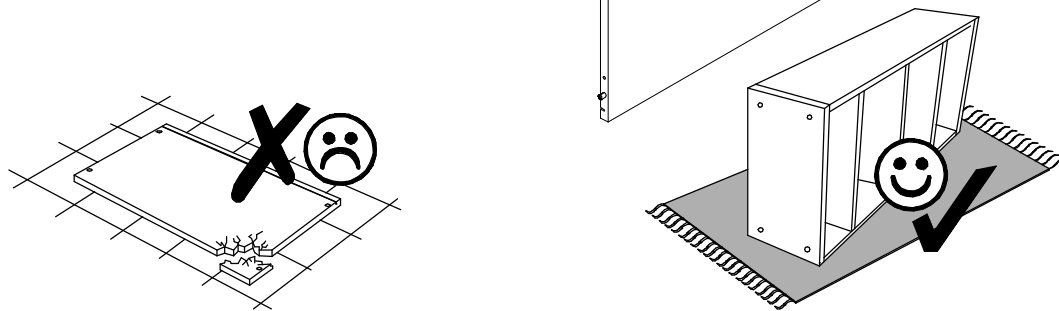
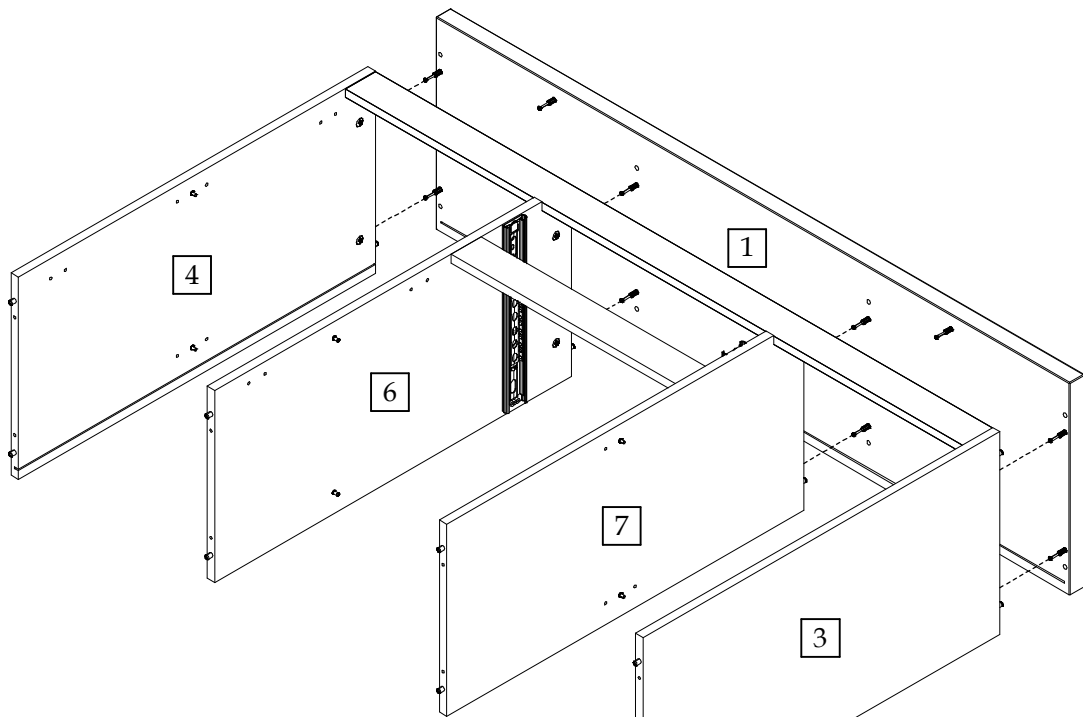
▶ 4



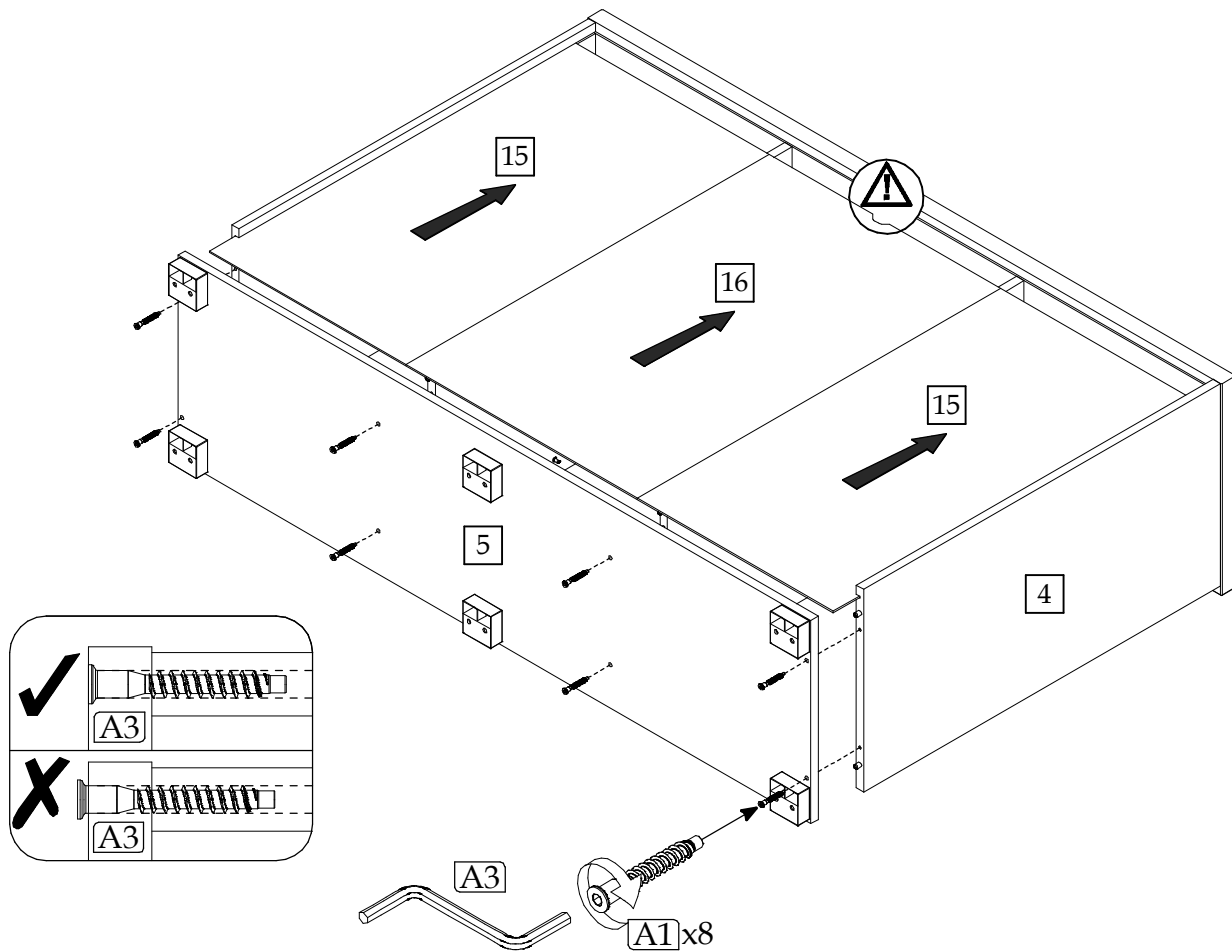
▶ 5



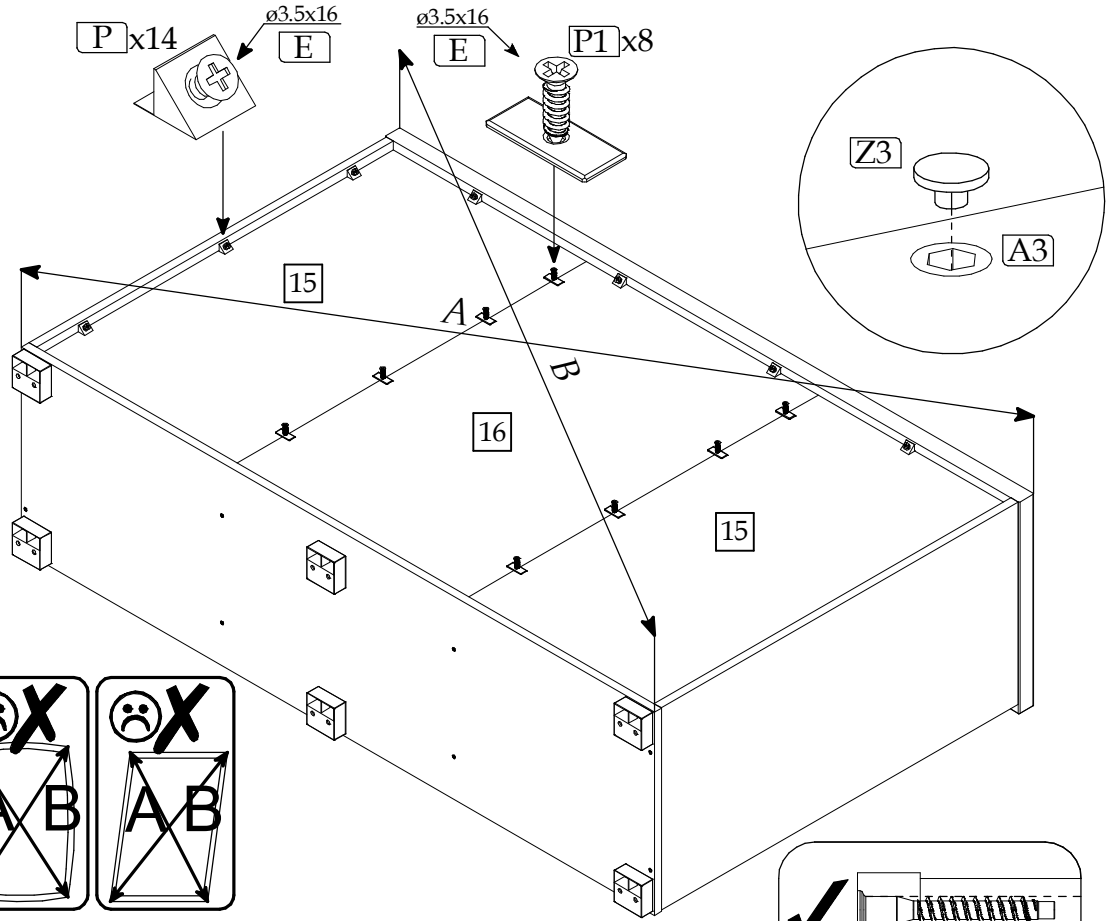
▶ 6



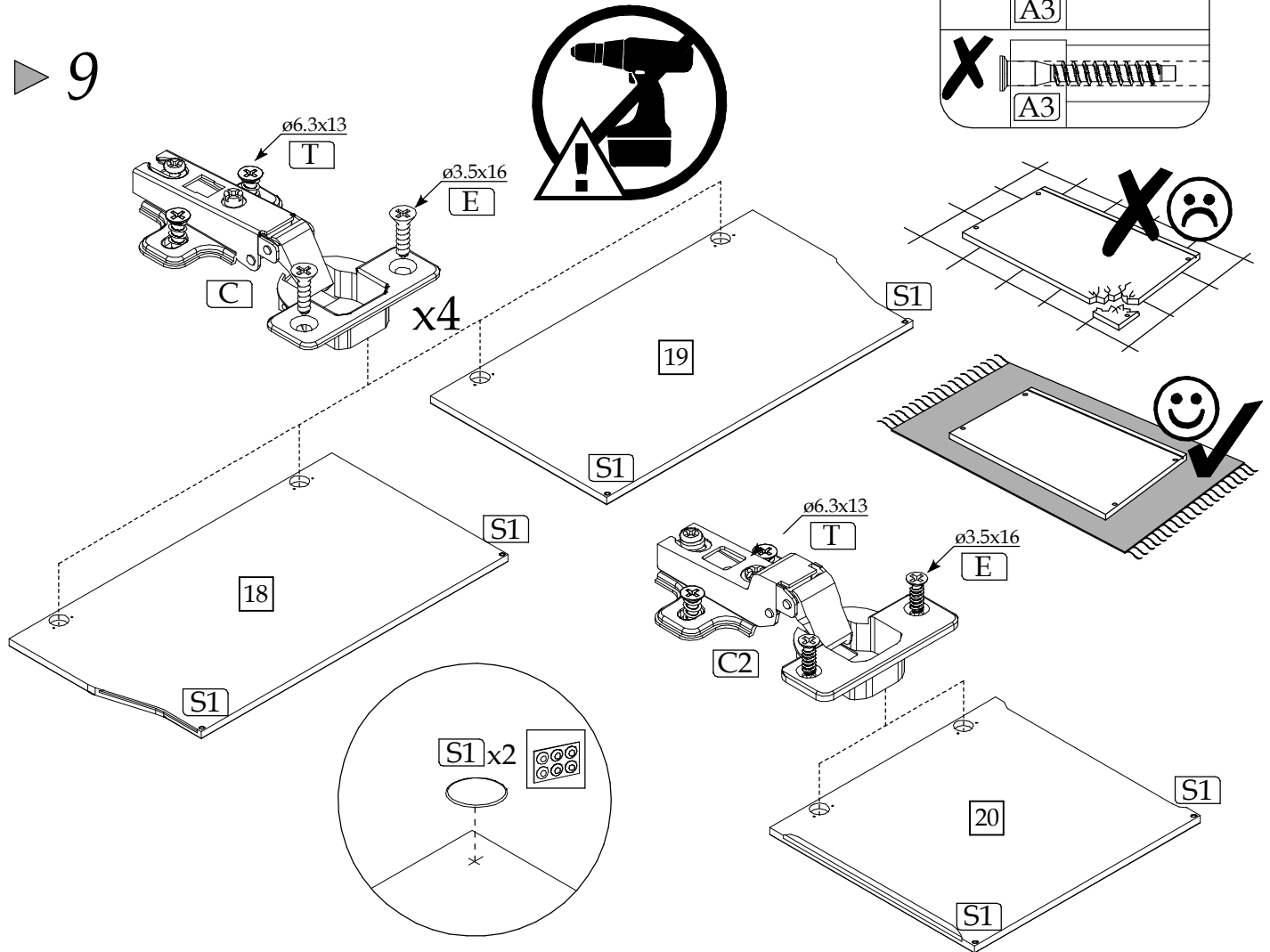
▶ 7



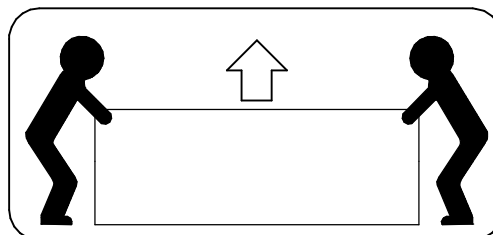
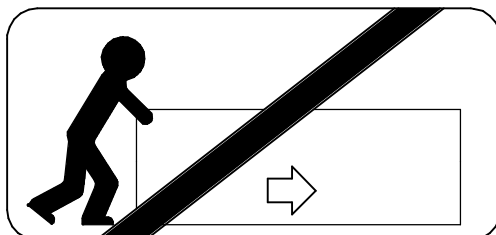
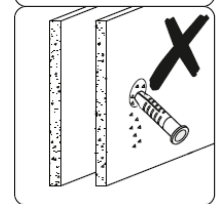
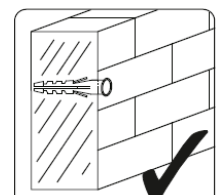
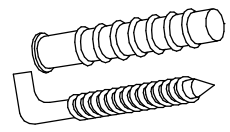
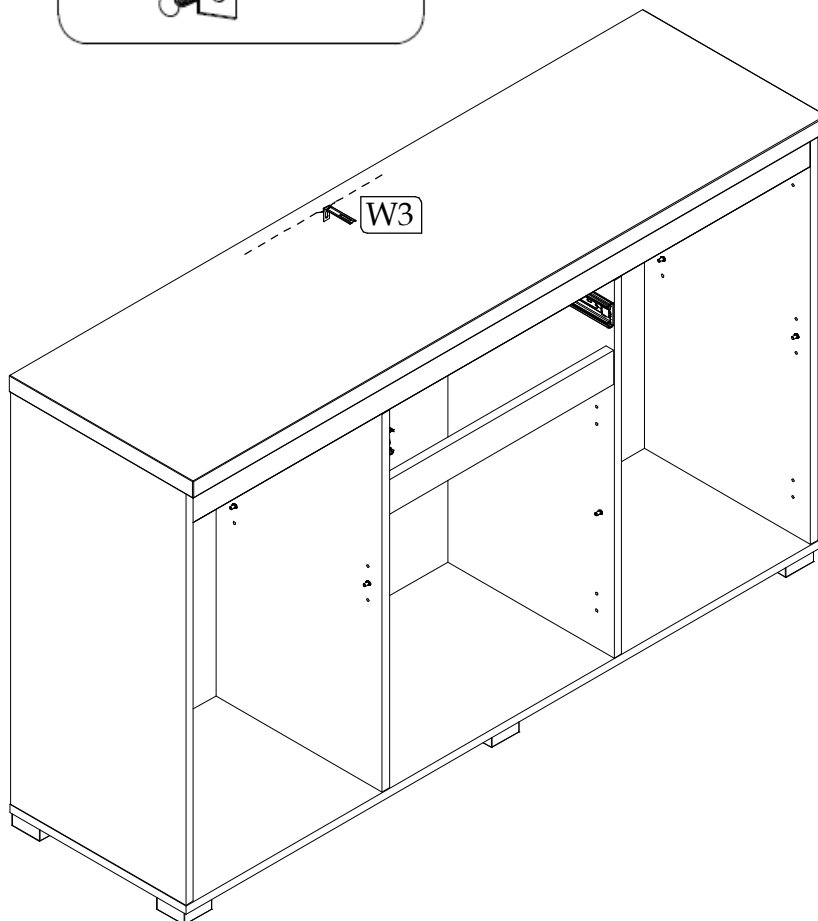
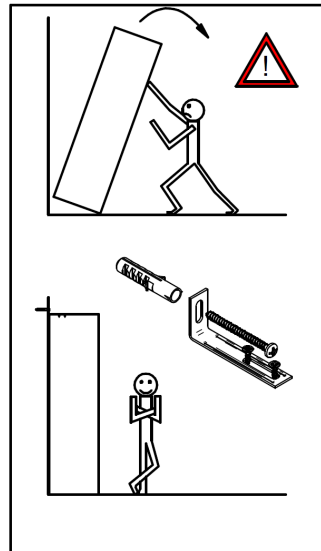
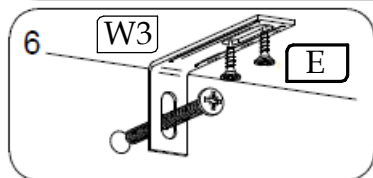
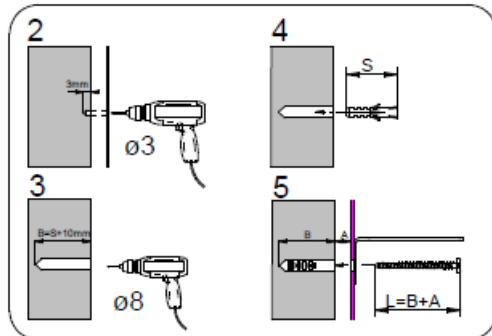
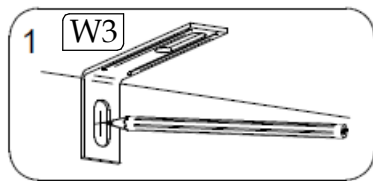
▶ 8



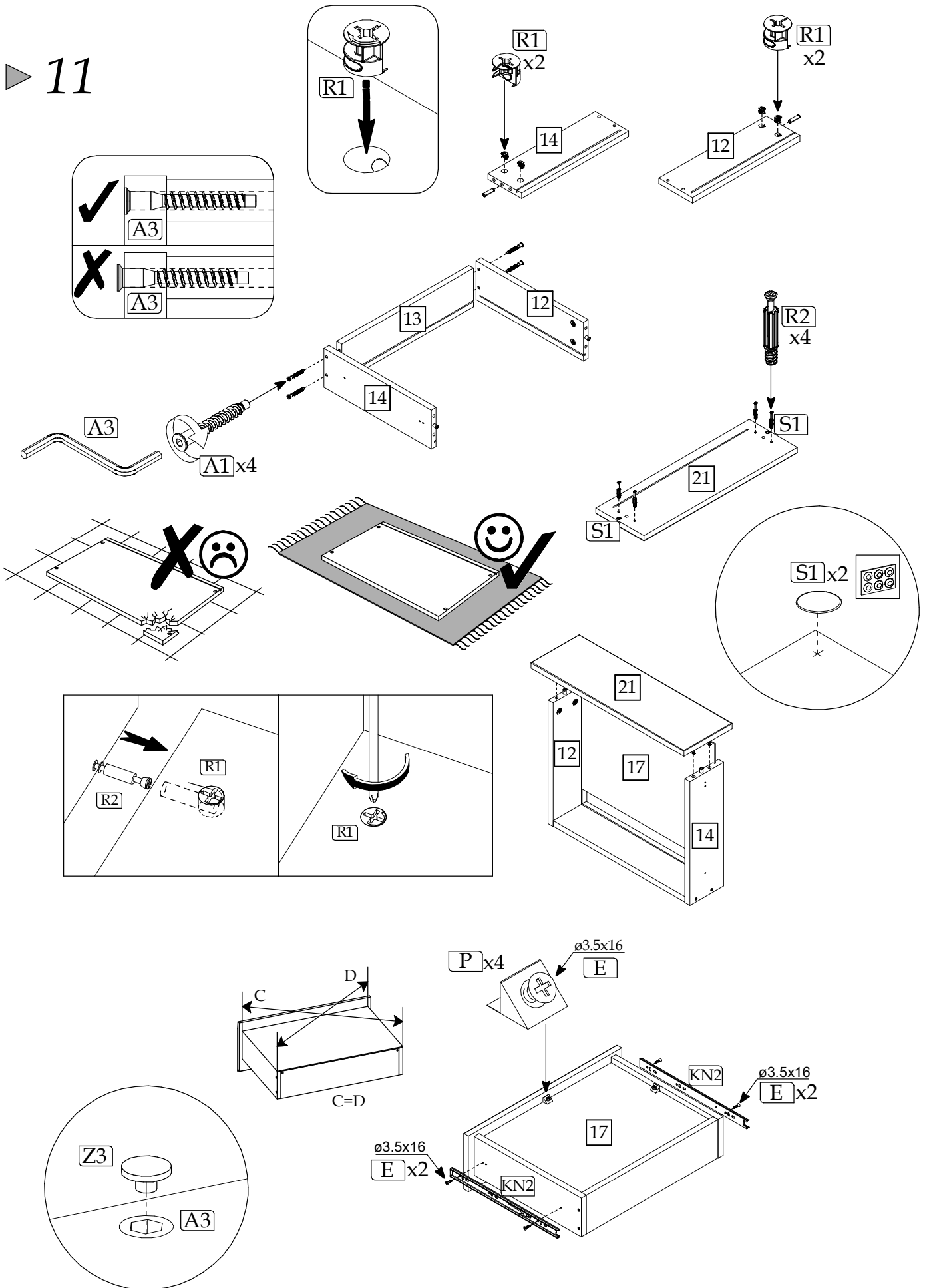
▶ 9



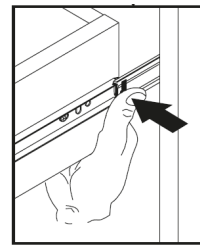
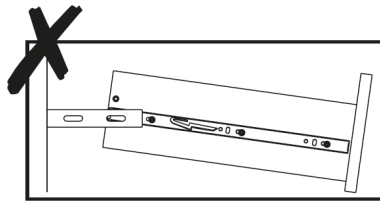
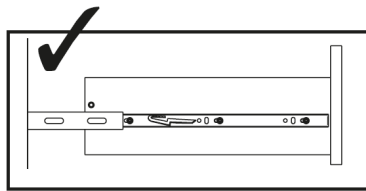
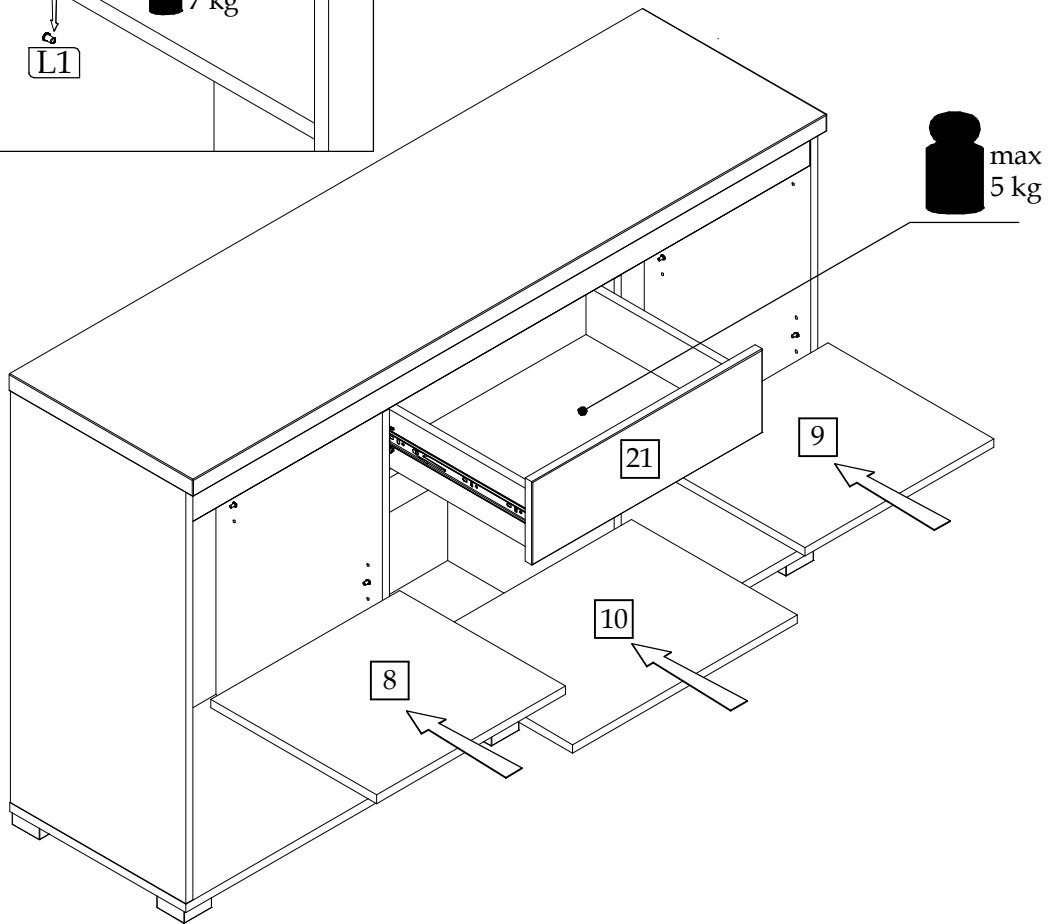
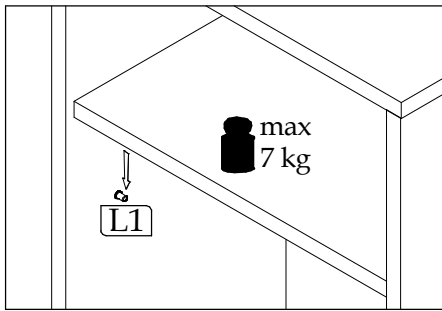
► 10



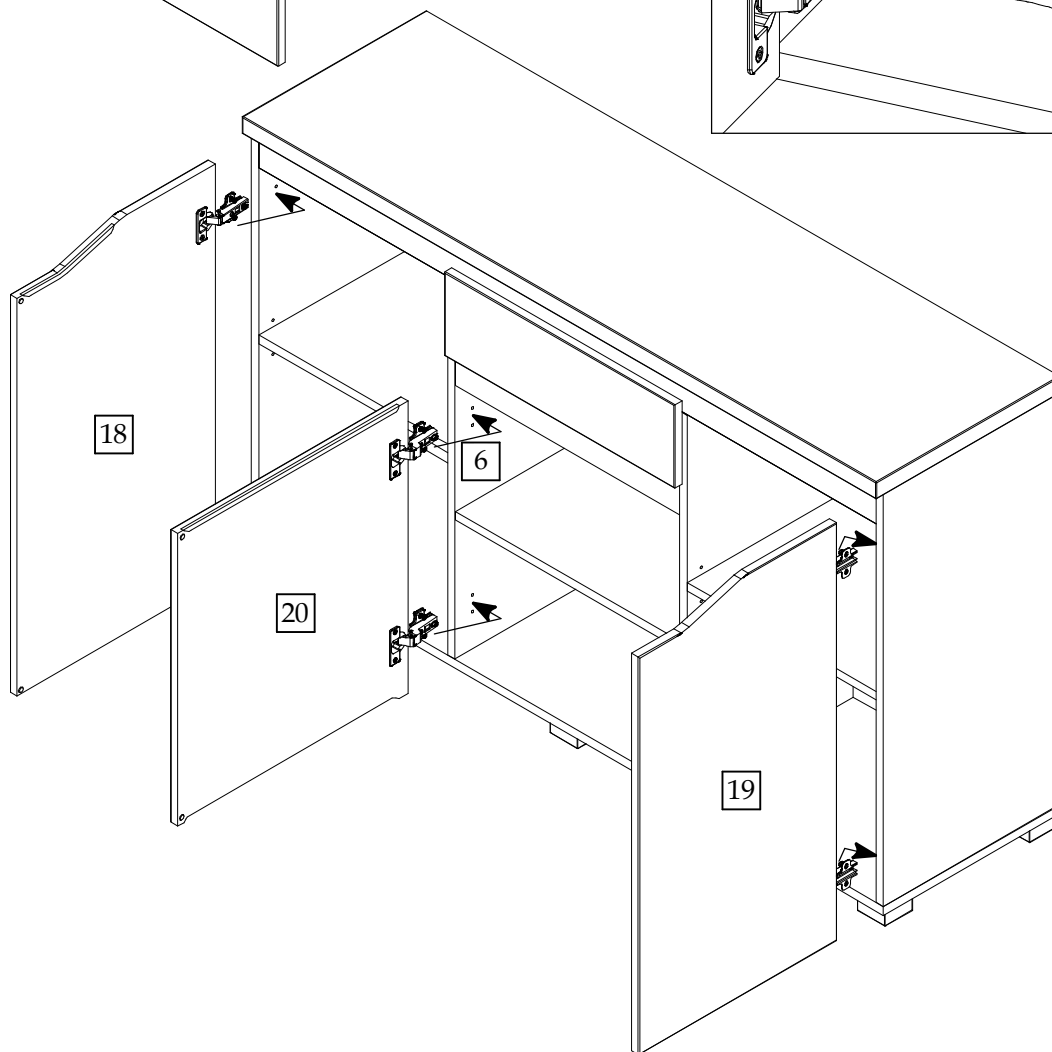
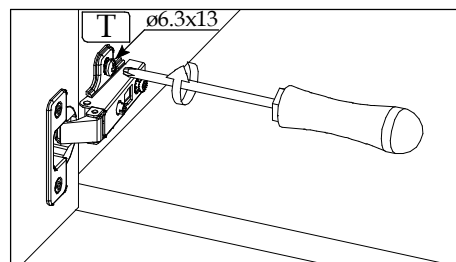
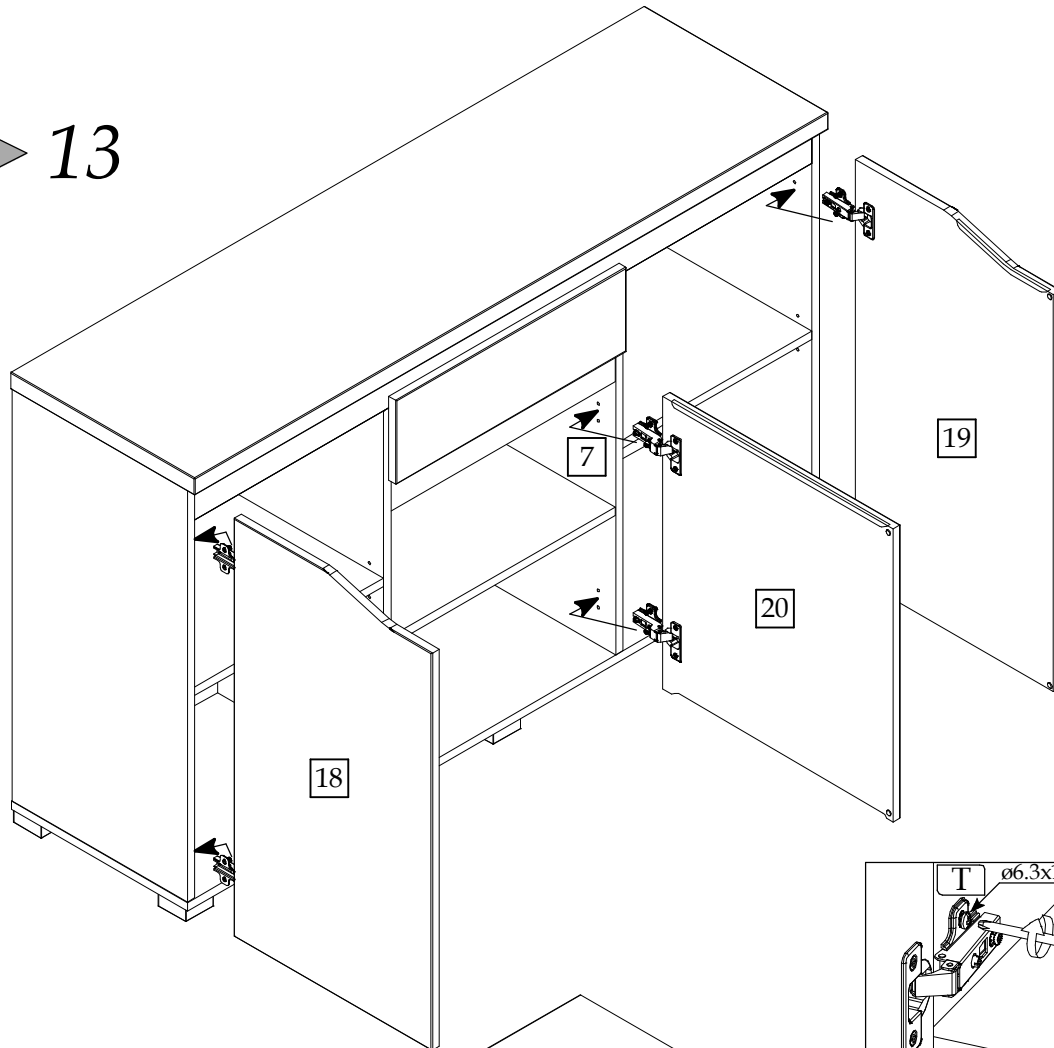
▶ 11



► 12



▶ 13



▶ 14

