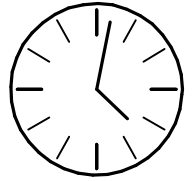
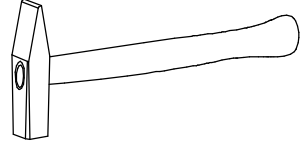
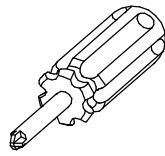
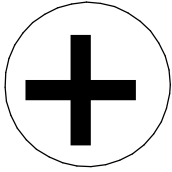
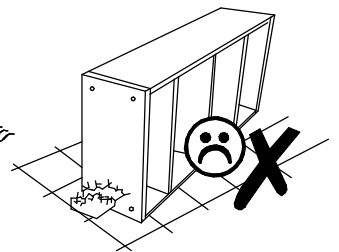
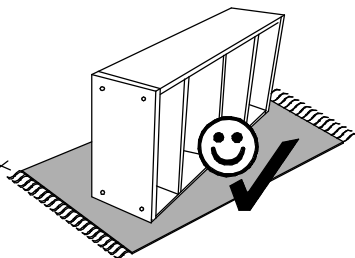
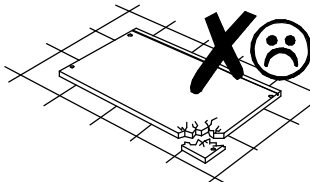
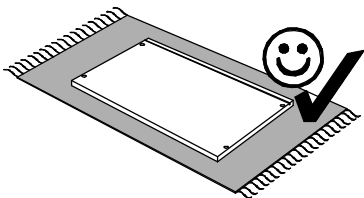
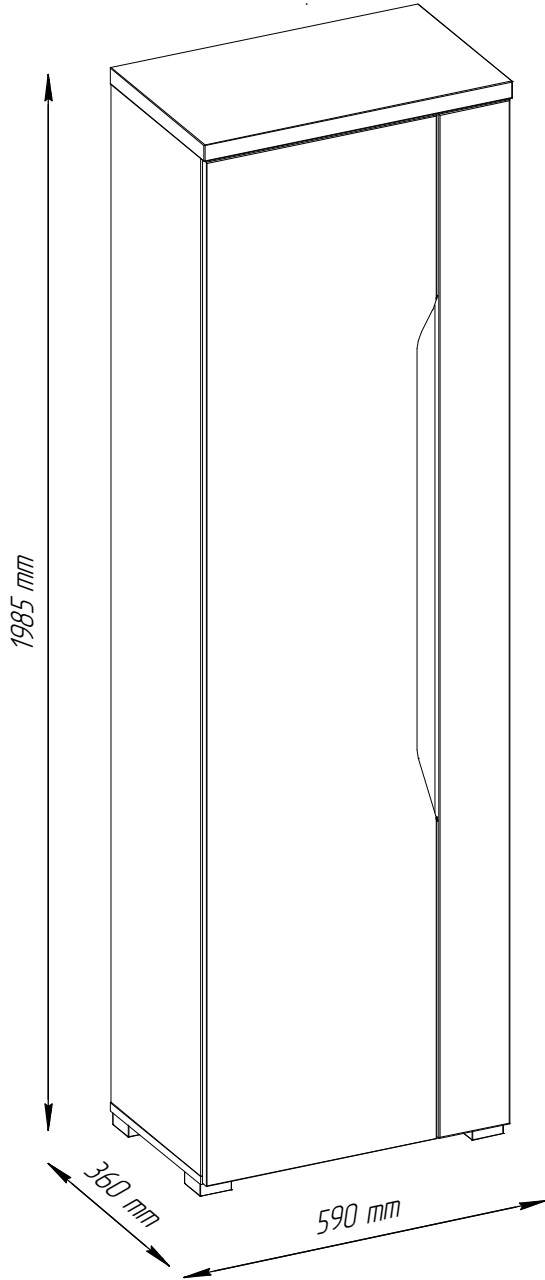
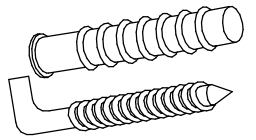
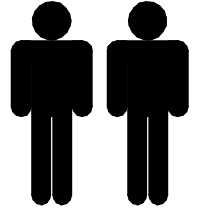
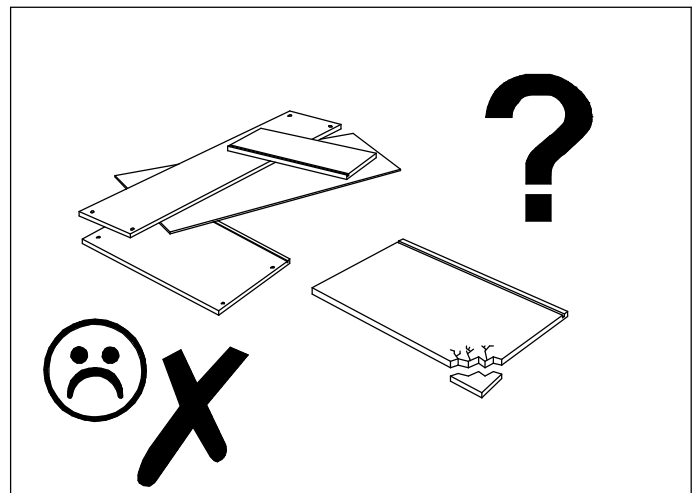
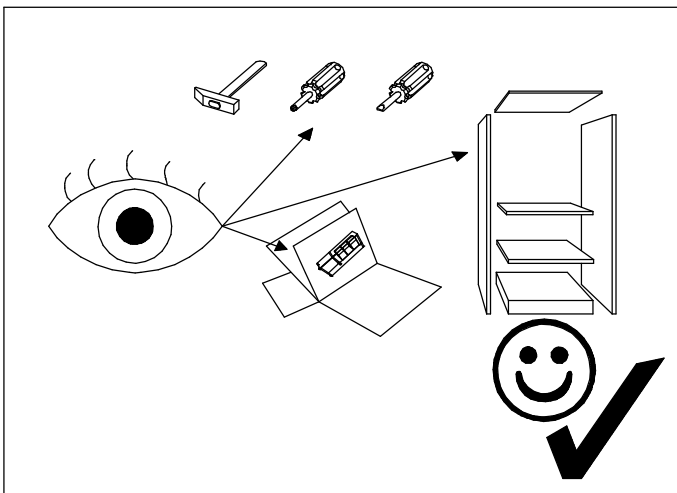
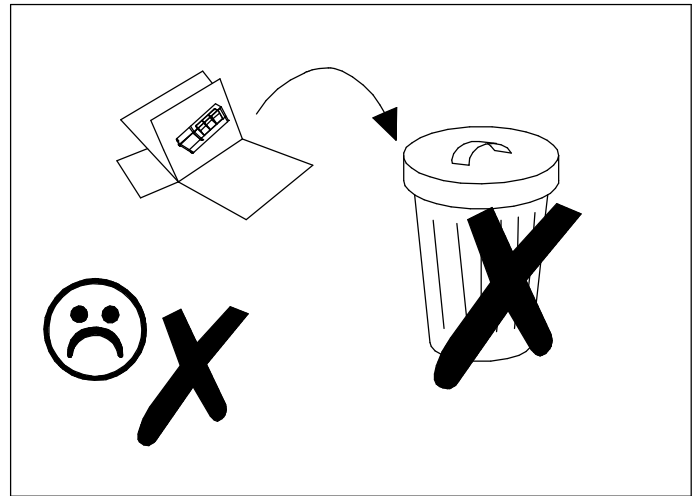
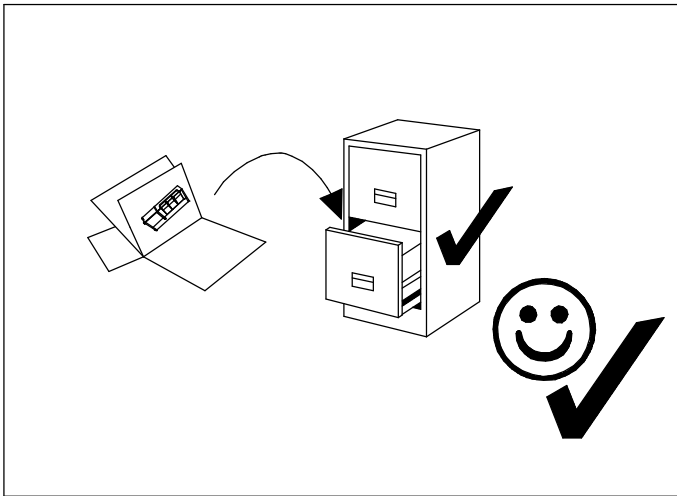
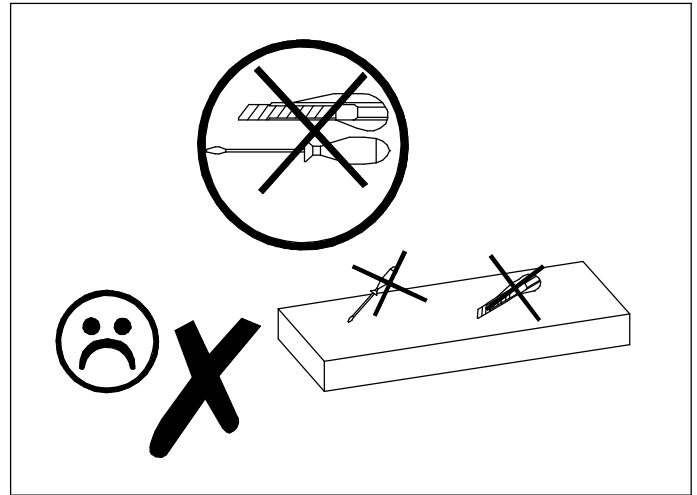
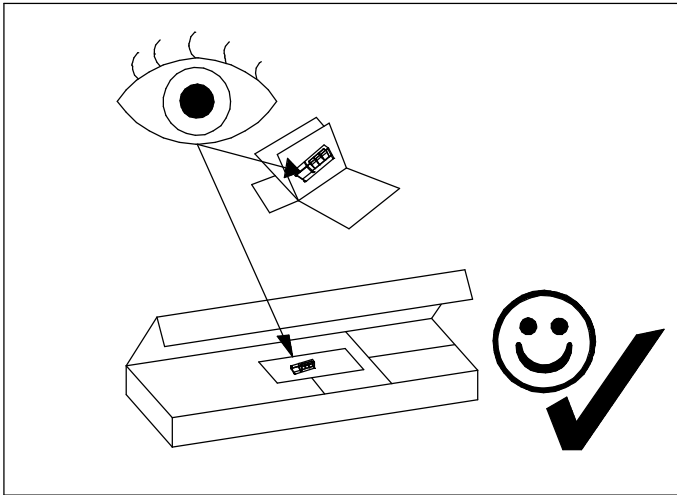


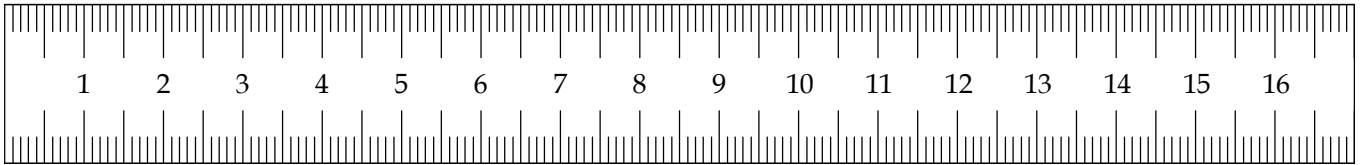
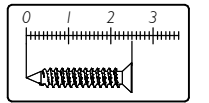
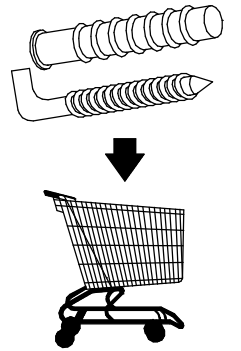
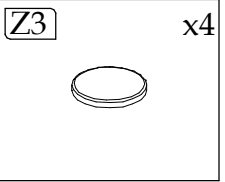
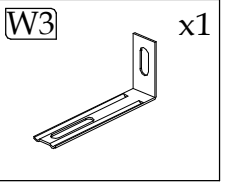
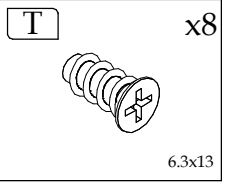
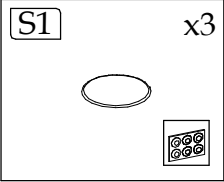
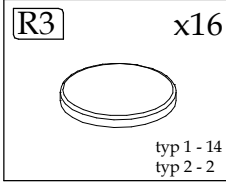
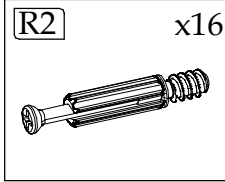
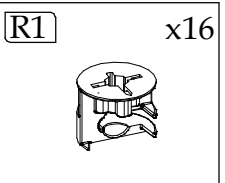
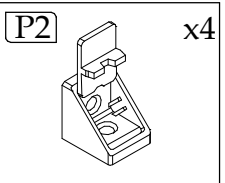
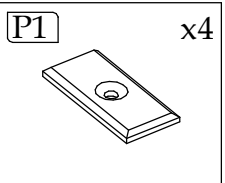
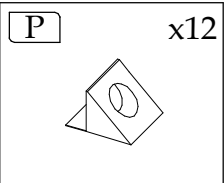
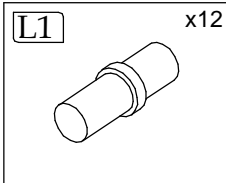
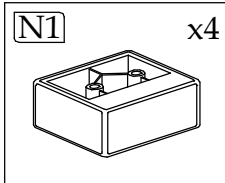
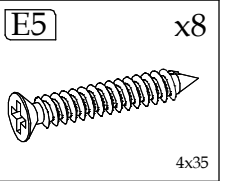
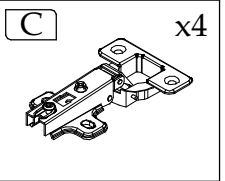
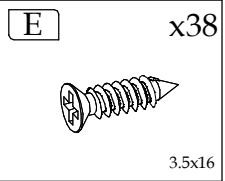
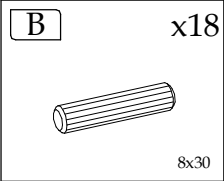
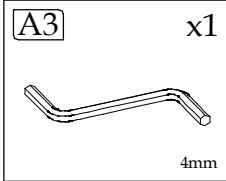
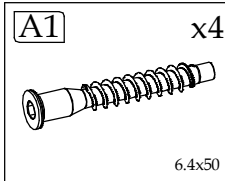
LAGOS V1



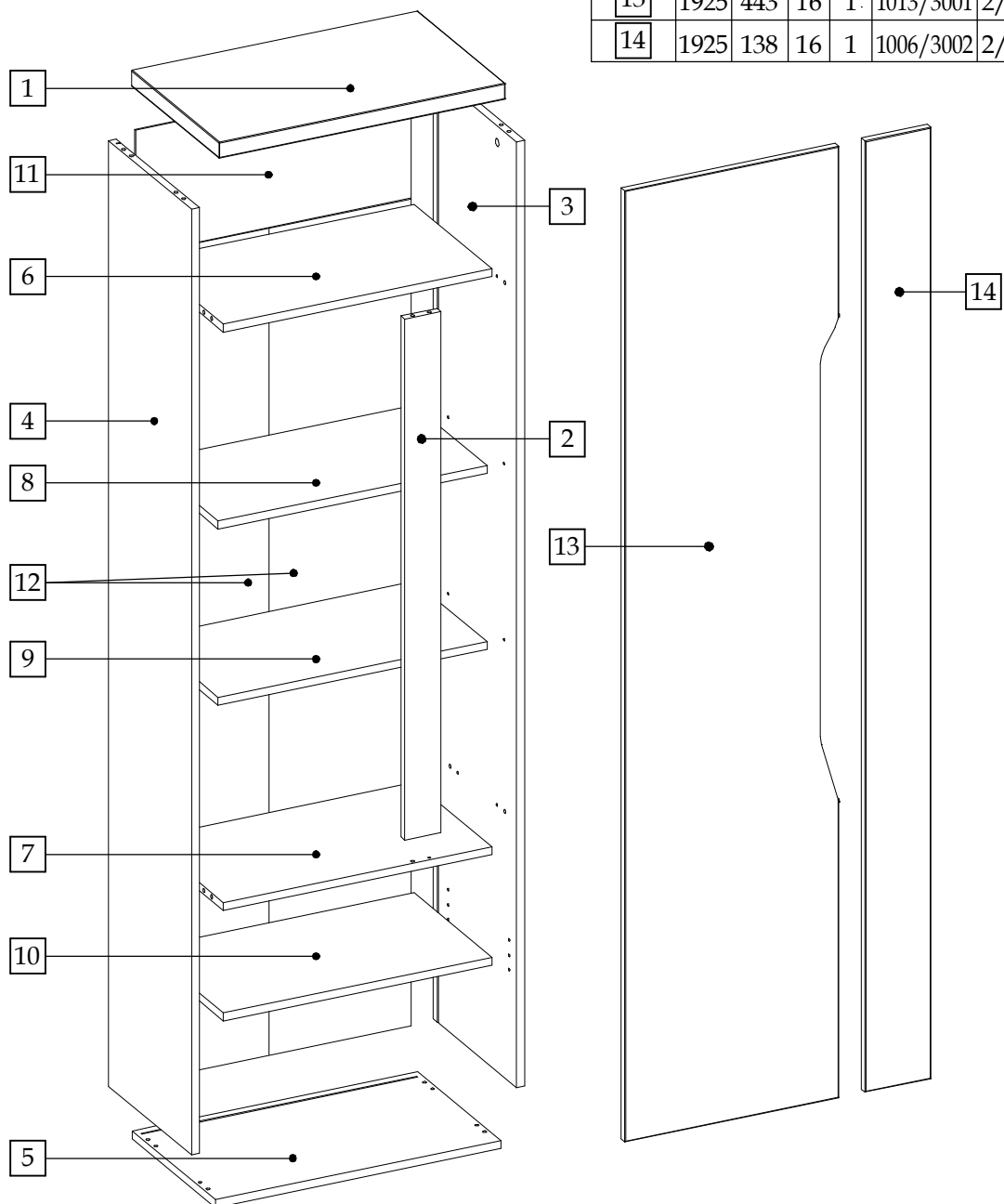
90 min

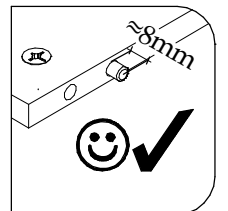
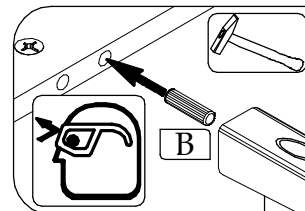
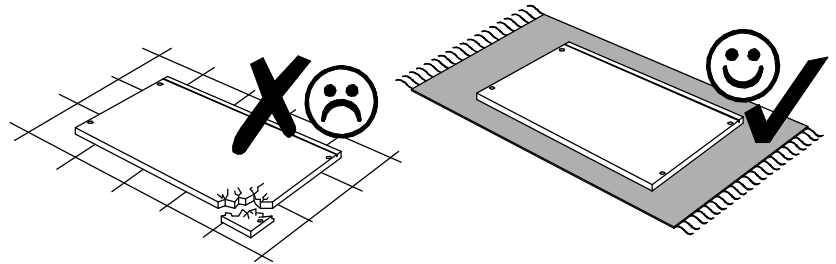
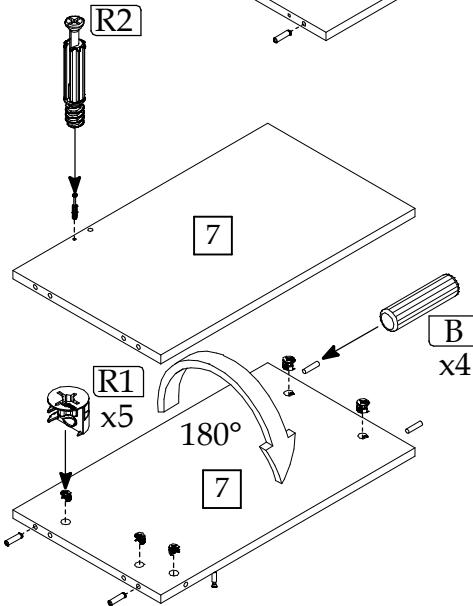
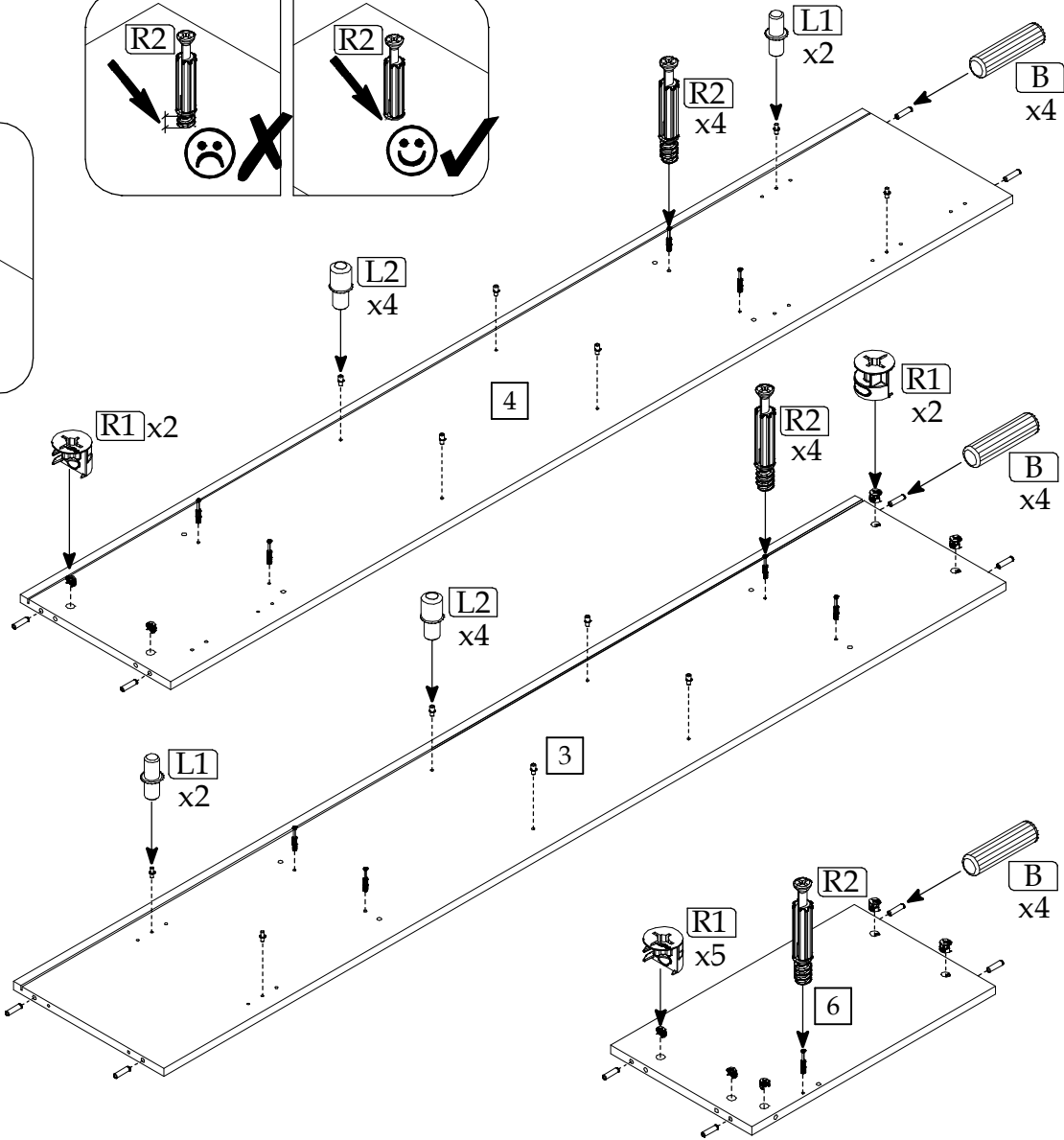
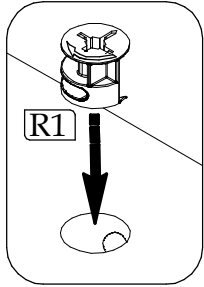
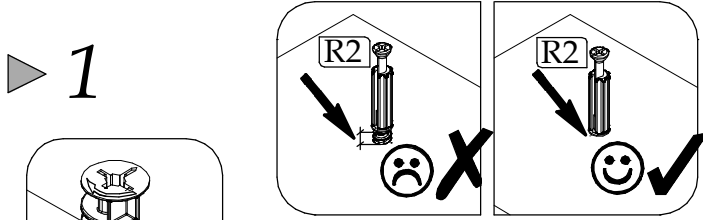
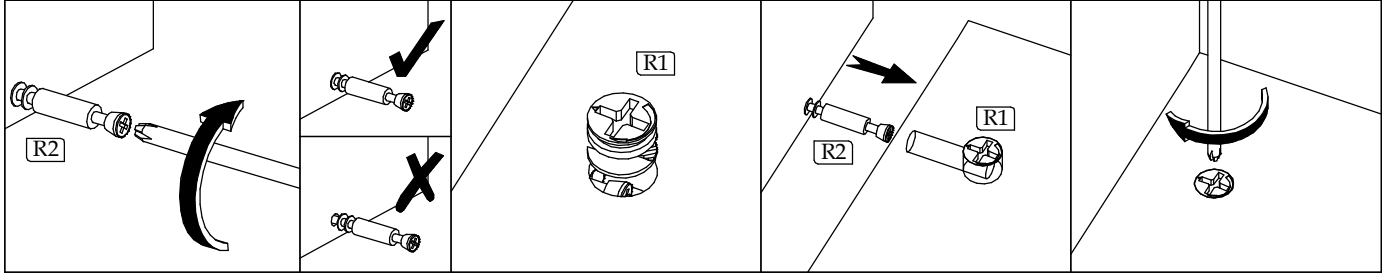




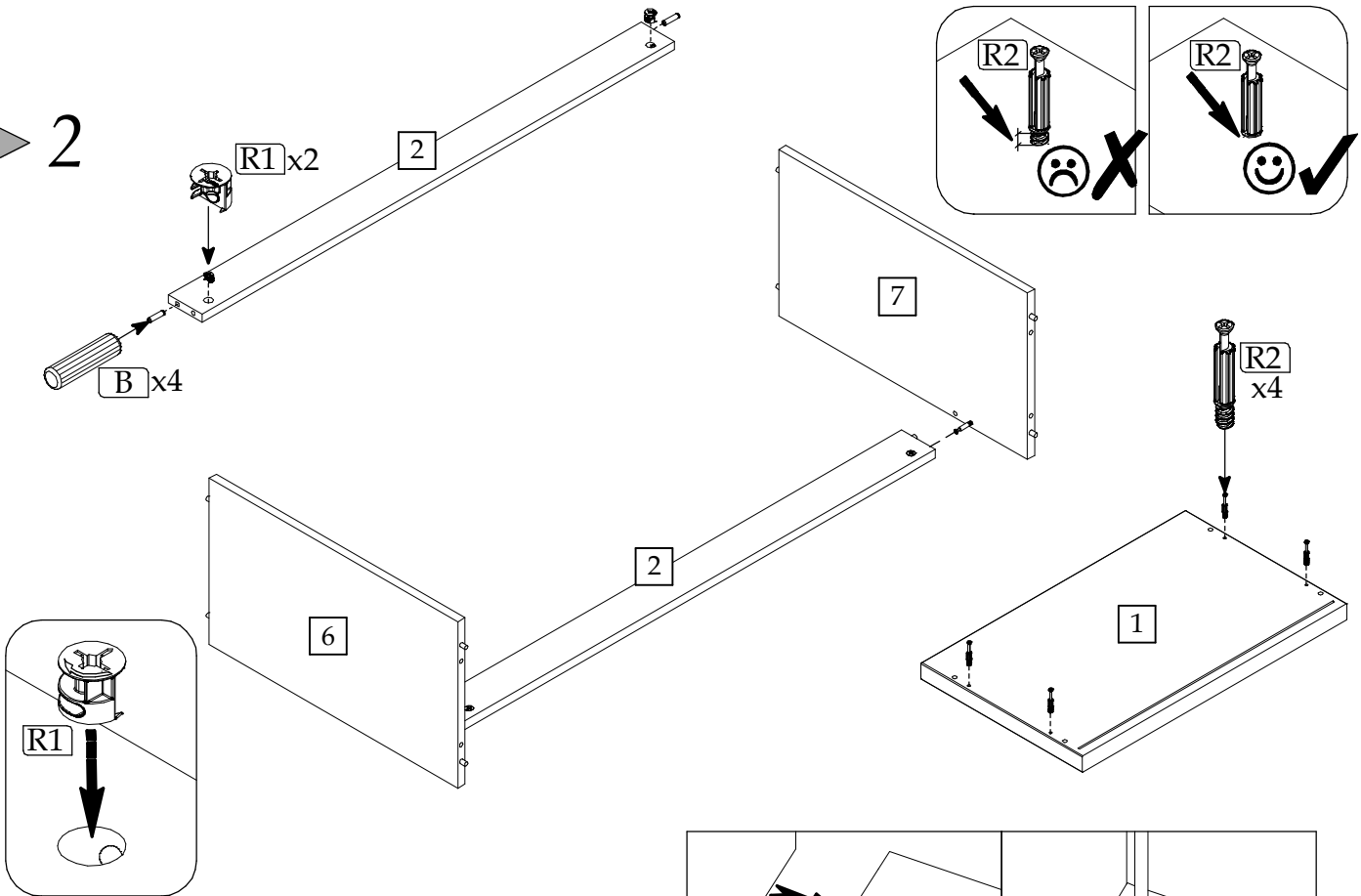


Element symbol	Measurements				Code	Paket
1	590	360	32	1	1001/1005	1/2
2	1053	75	16	1	1041	2/2
3	1912	342	16	1	1002	1/2
4	1912	342	16	1	1003	1/2
5	588	342.5	16	1	1004/2004	1/2
6	554	321	16	1	1043	1/2
7	554	321	16	1	1042/2042	1/2
8	554	300	16	1	N/A	1/2
9	554	300	16	1	N/A	1/2
10	554	320	16	1	N/A	1/2
11	311	568	3	1	1040_v	1/2
12	1614	284	3	2	N/A	1/2
13	1925	443	16	1	1013/3001	2/2
14	1925	138	16	1	1006/3002	2/2

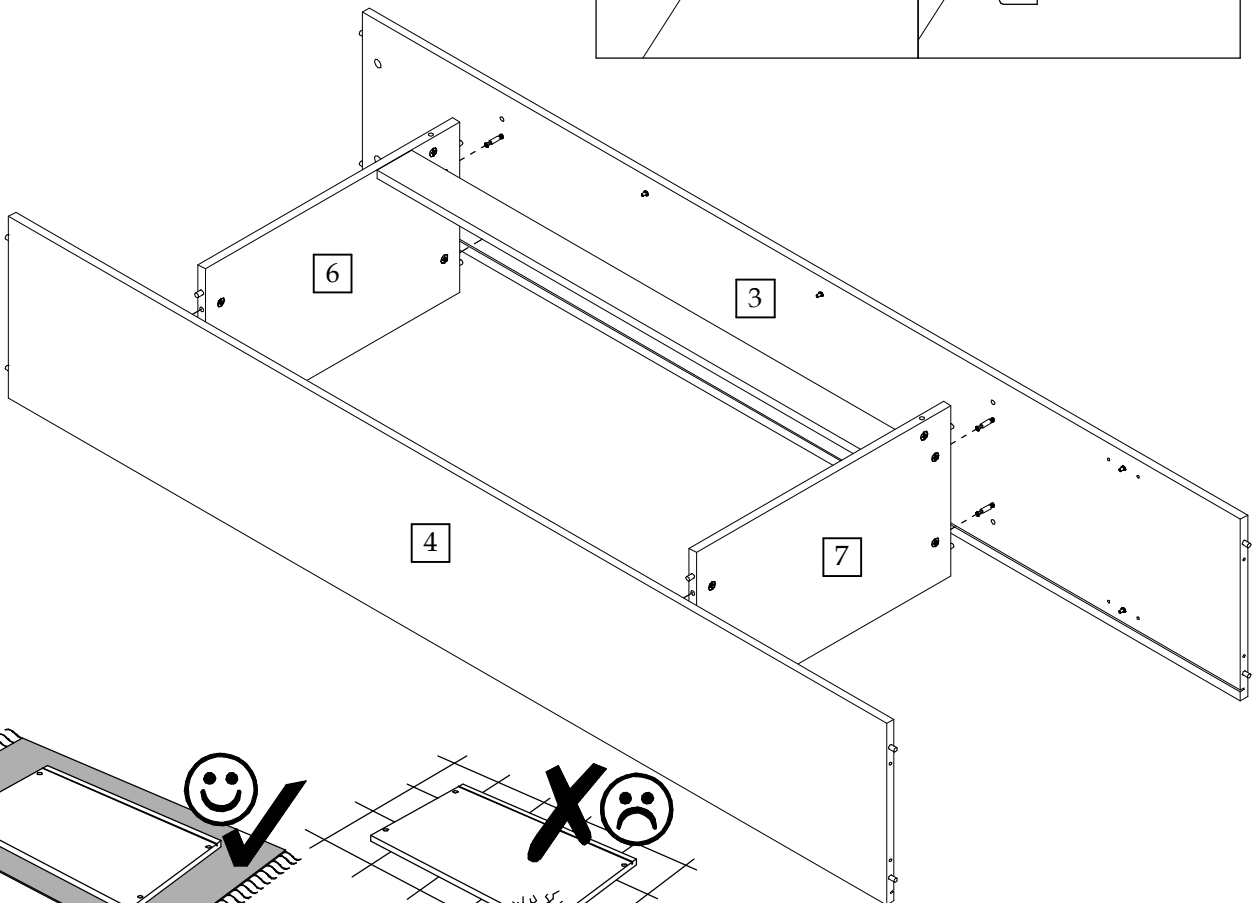
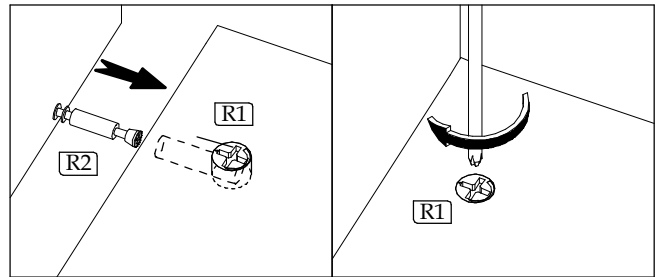




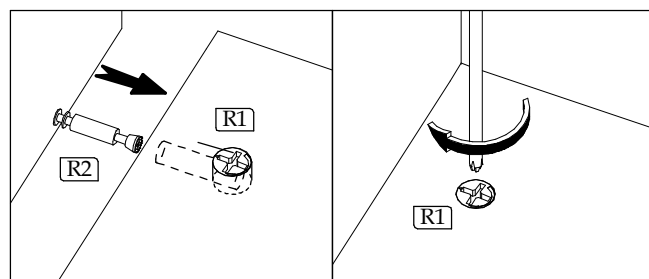
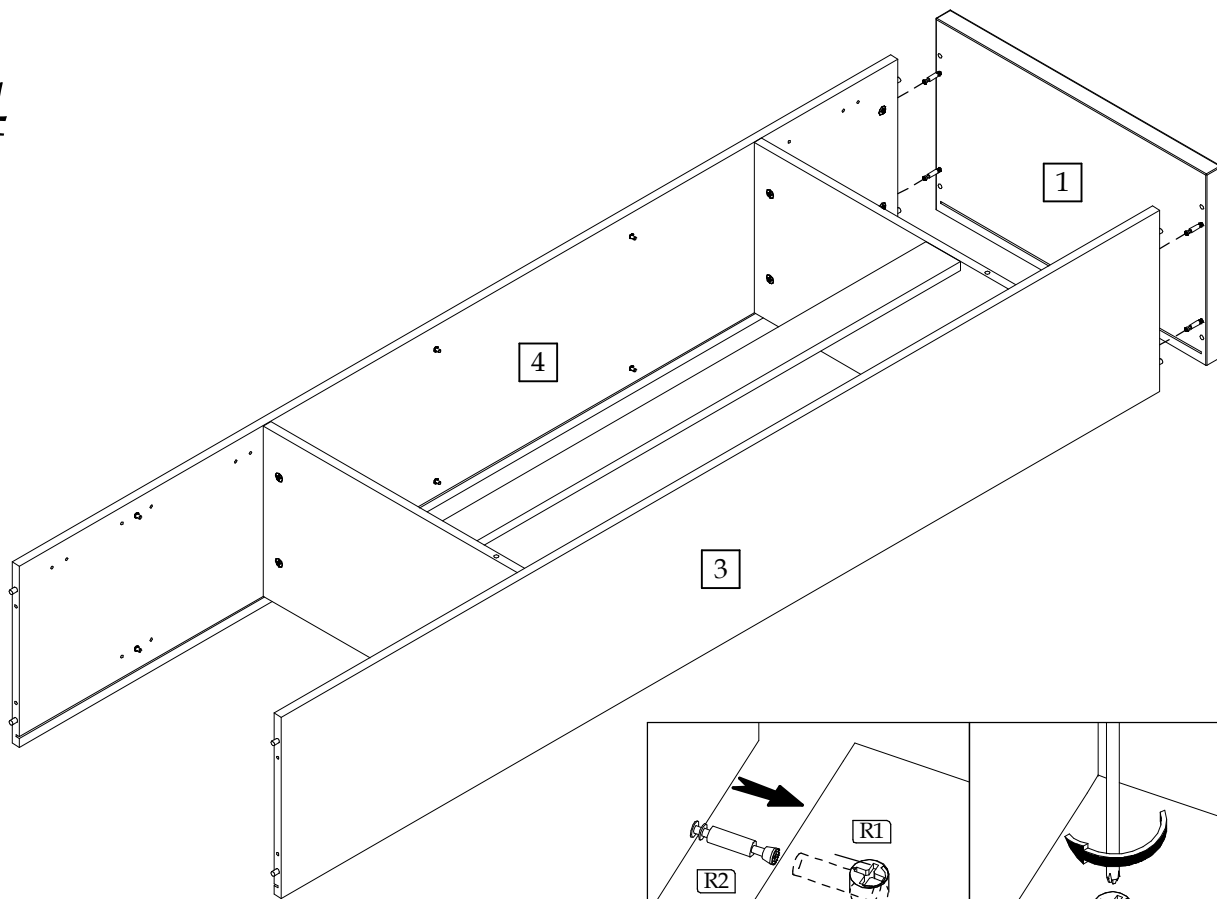
▶ 2



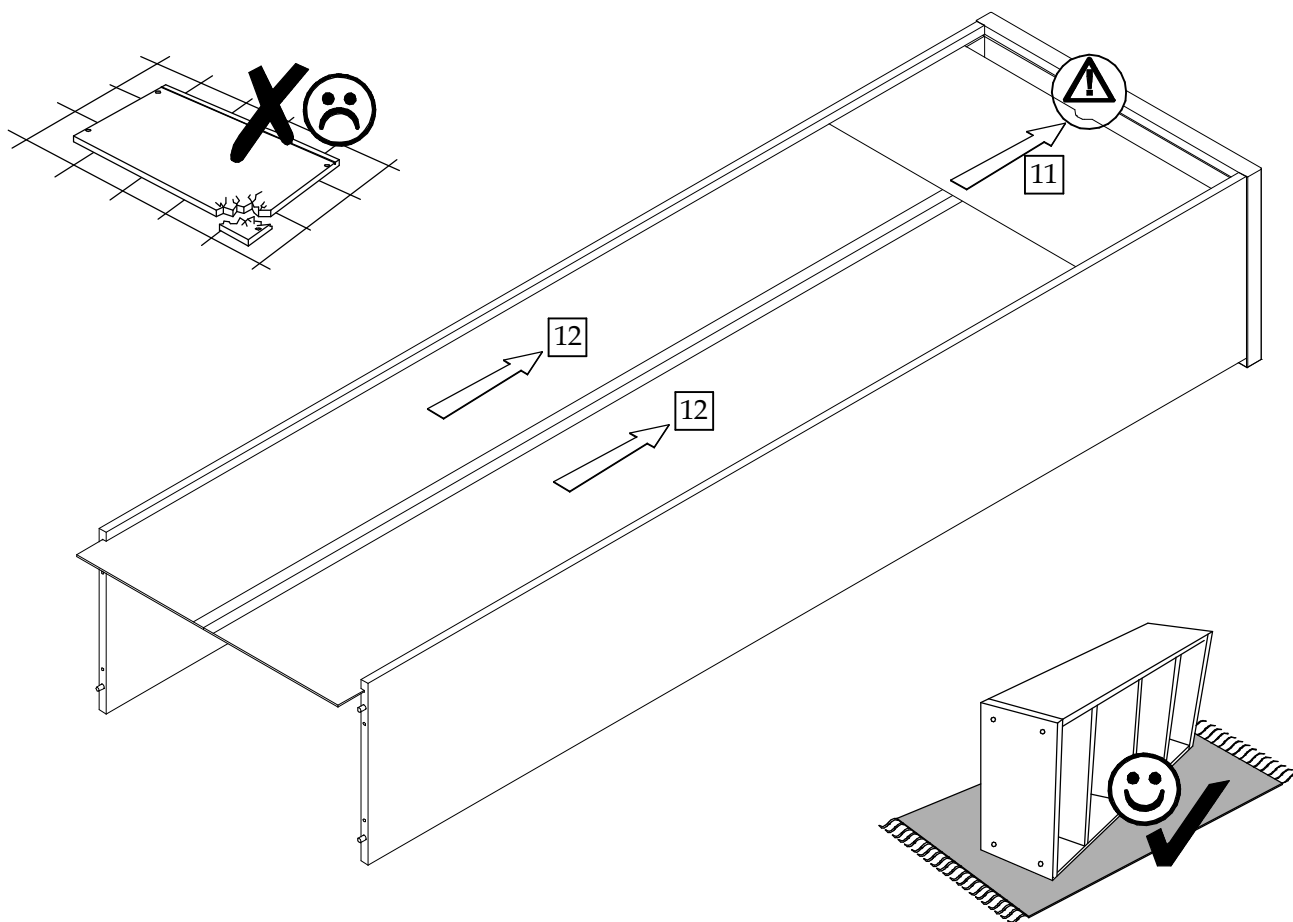
▶ 3



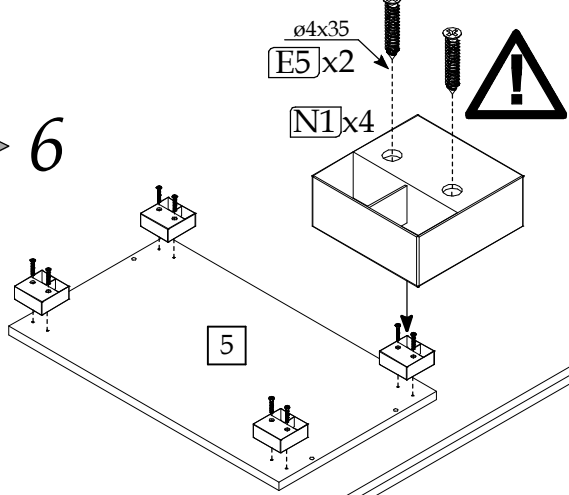
▶ 4



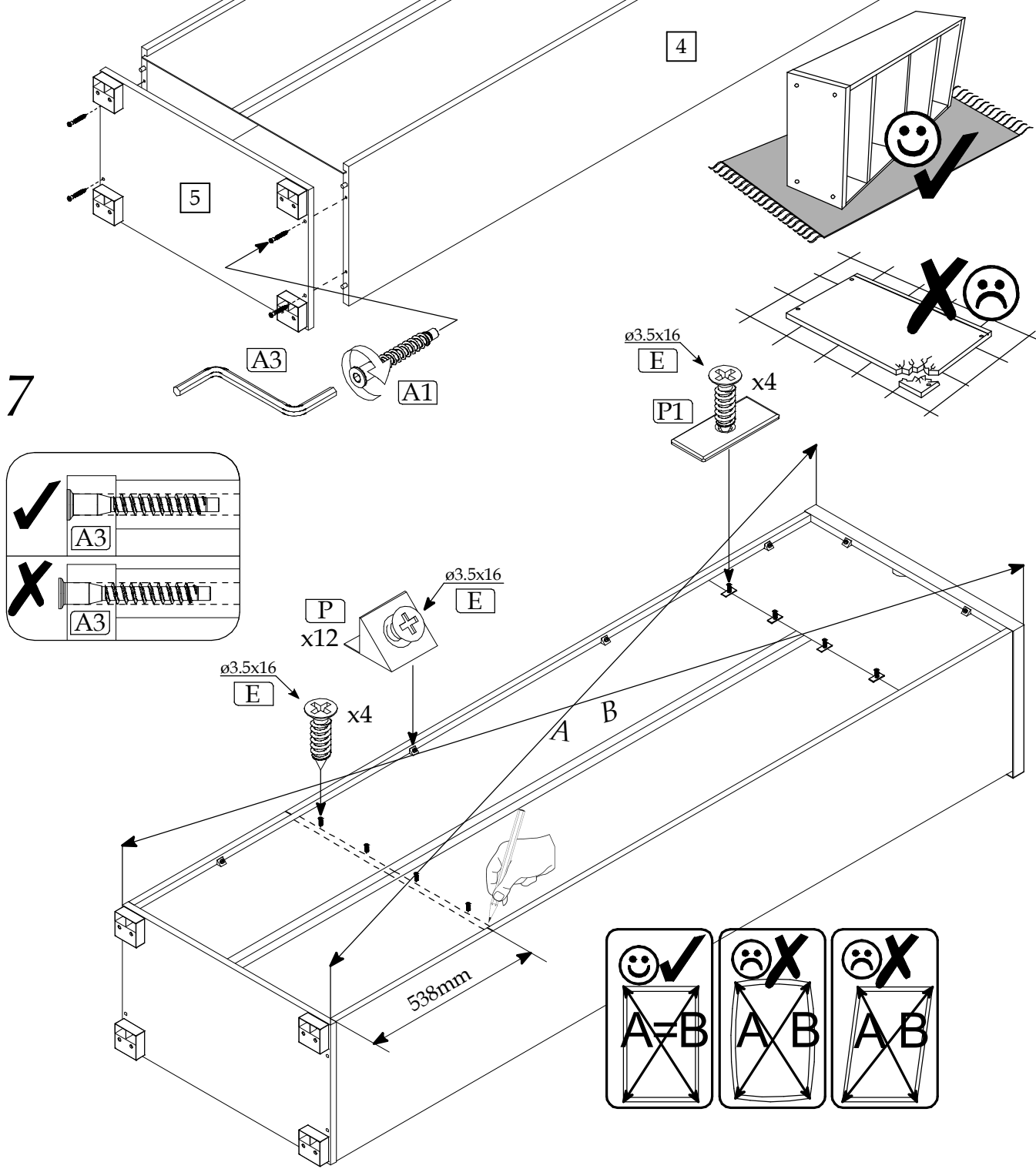
▶ 5



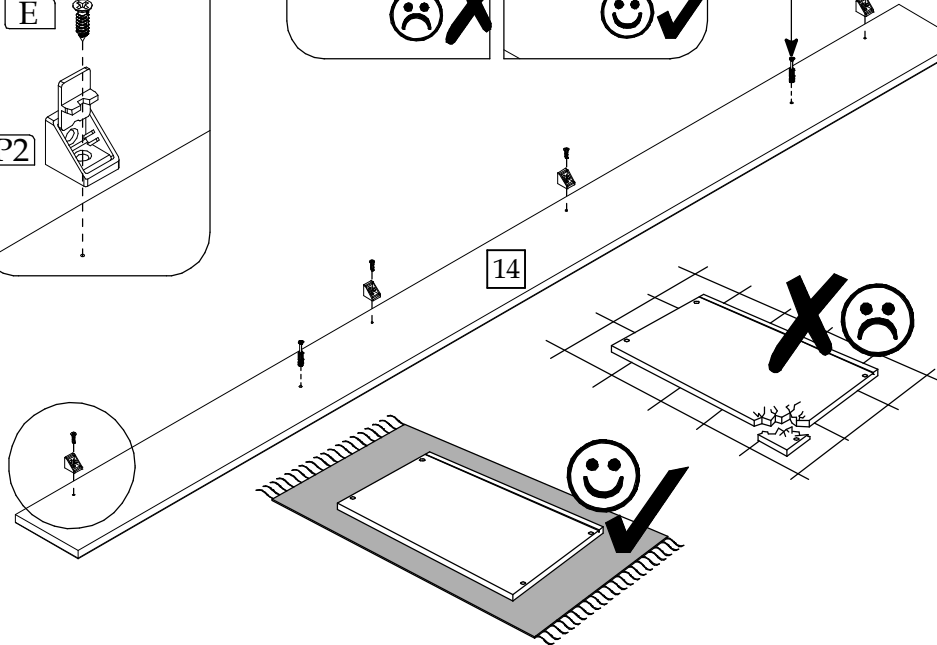
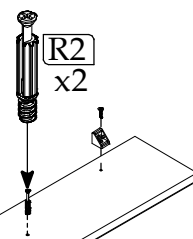
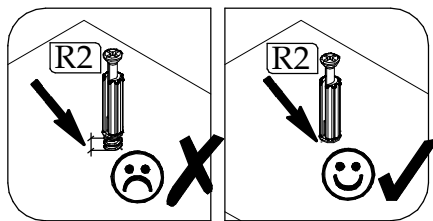
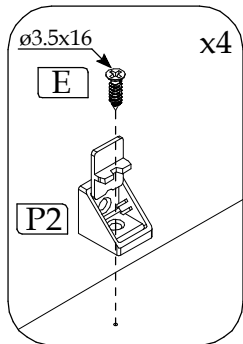
▶ 6



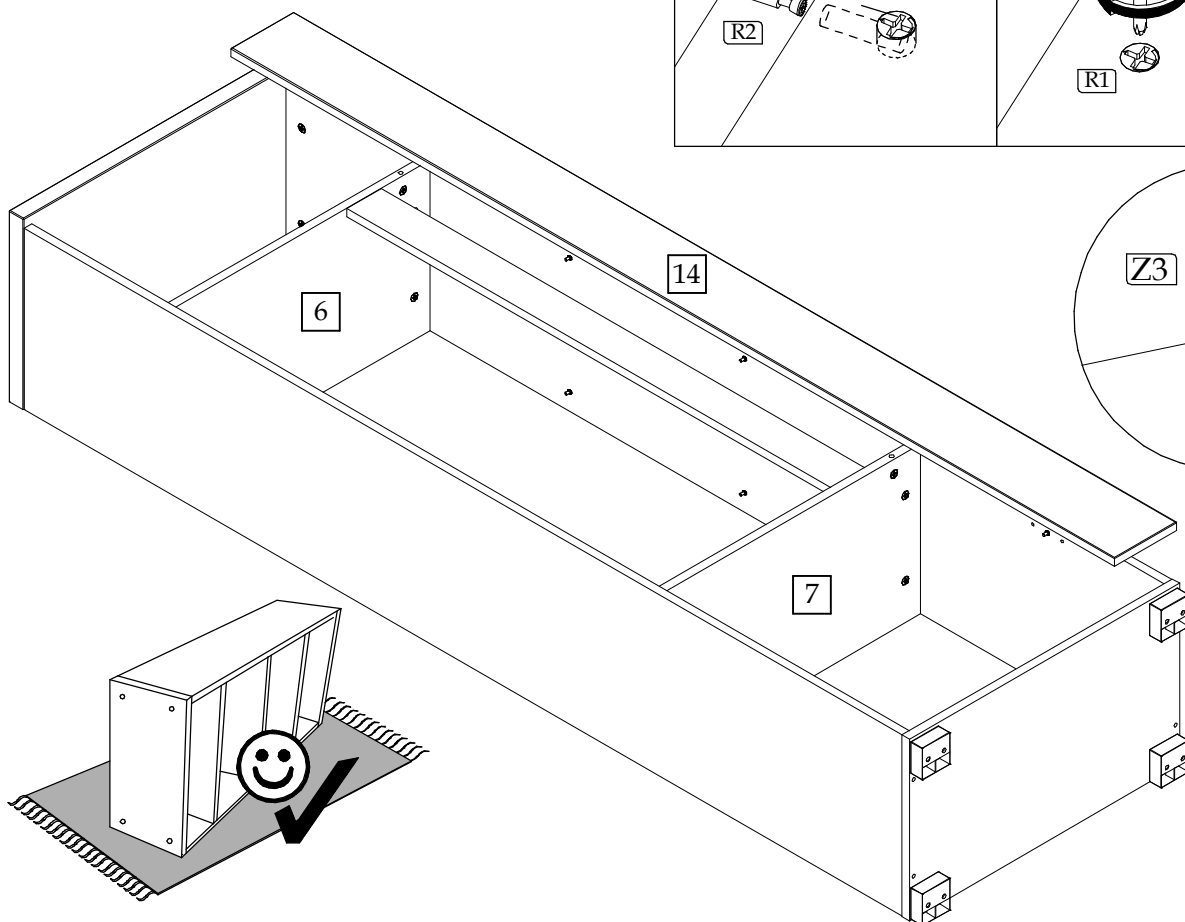
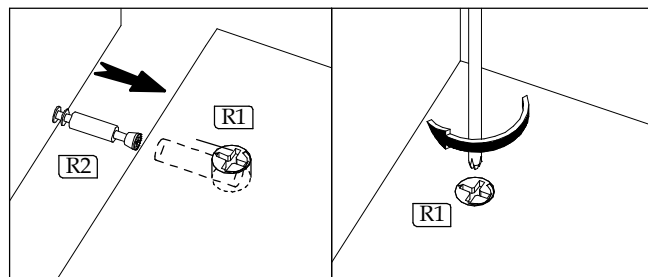
▶ 7



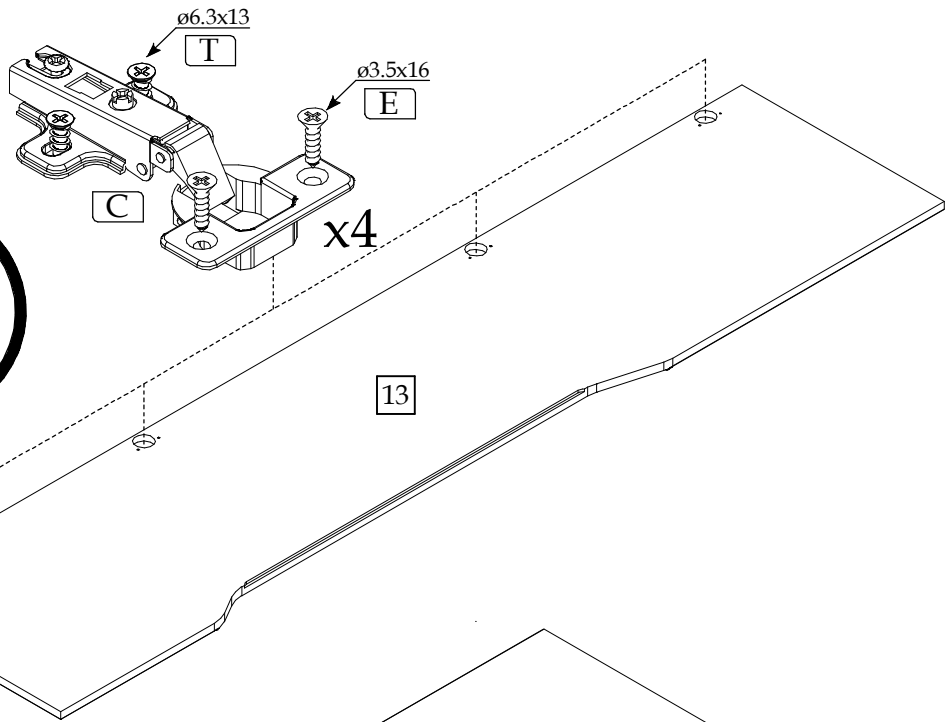
▶ 8



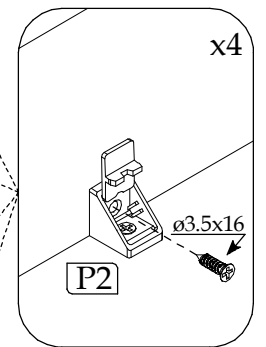
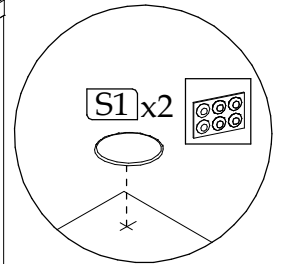
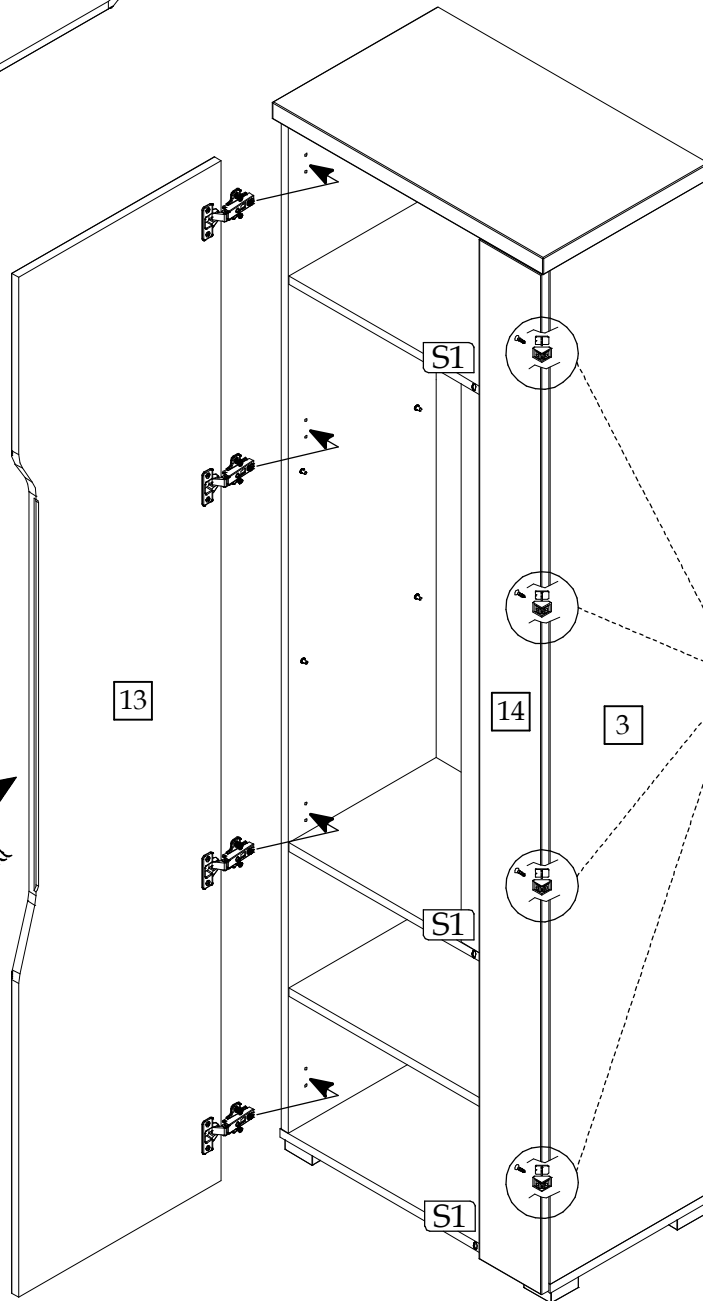
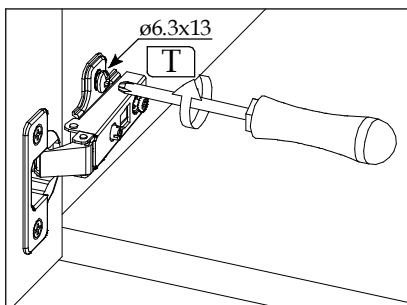
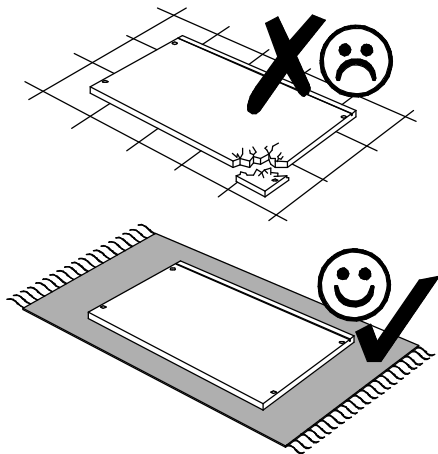
▶ 9



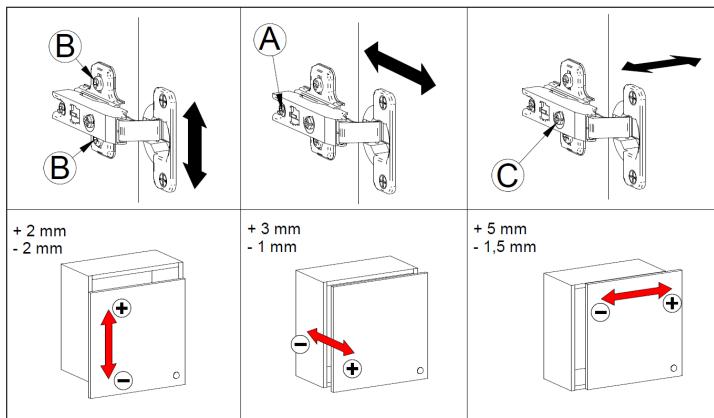
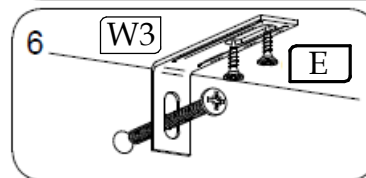
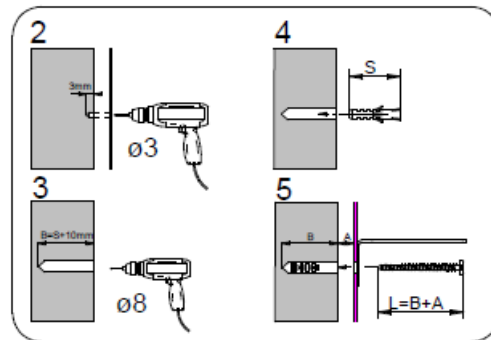
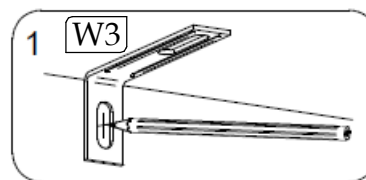
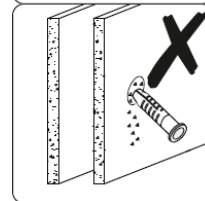
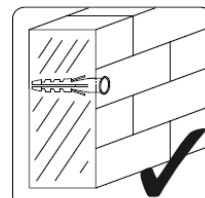
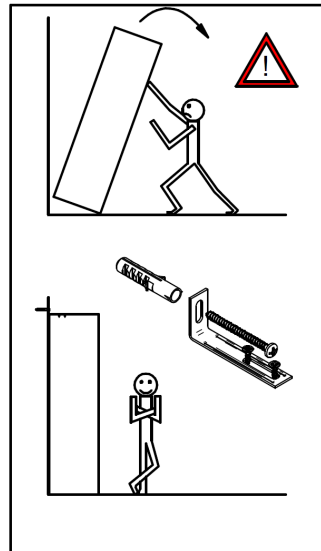
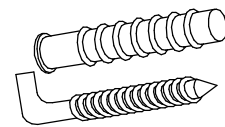
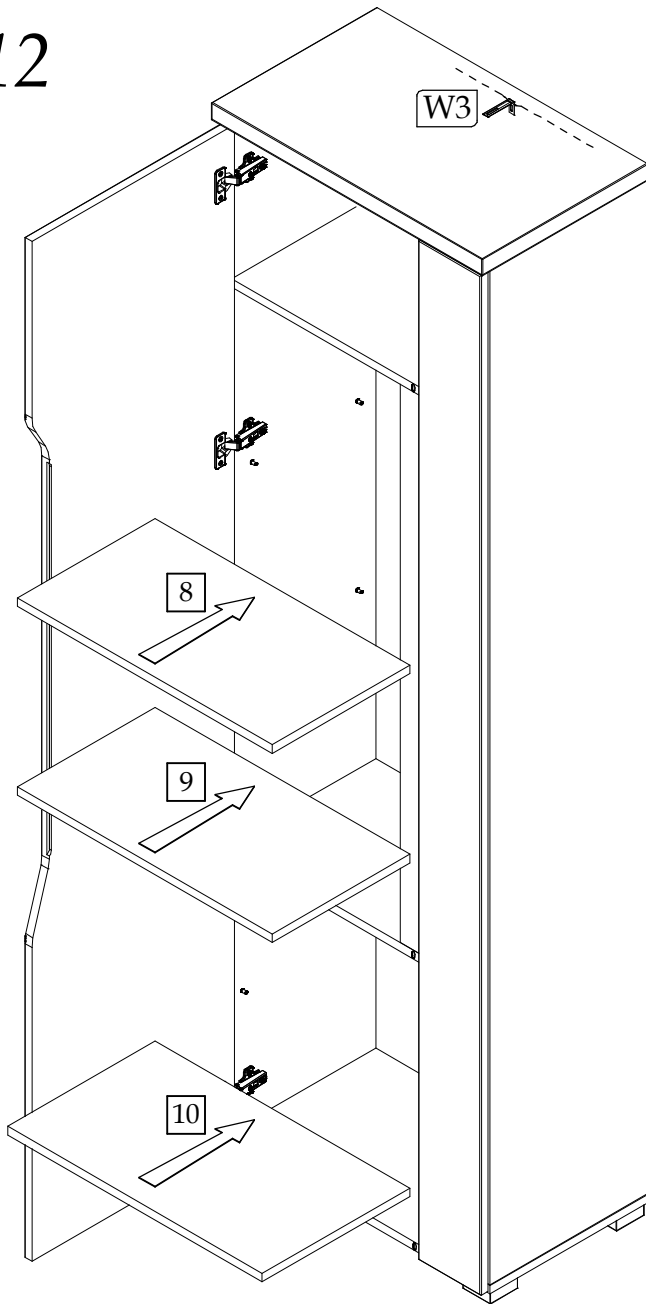
▶ 10



▶ 11



▶ 12



▶ 13

